



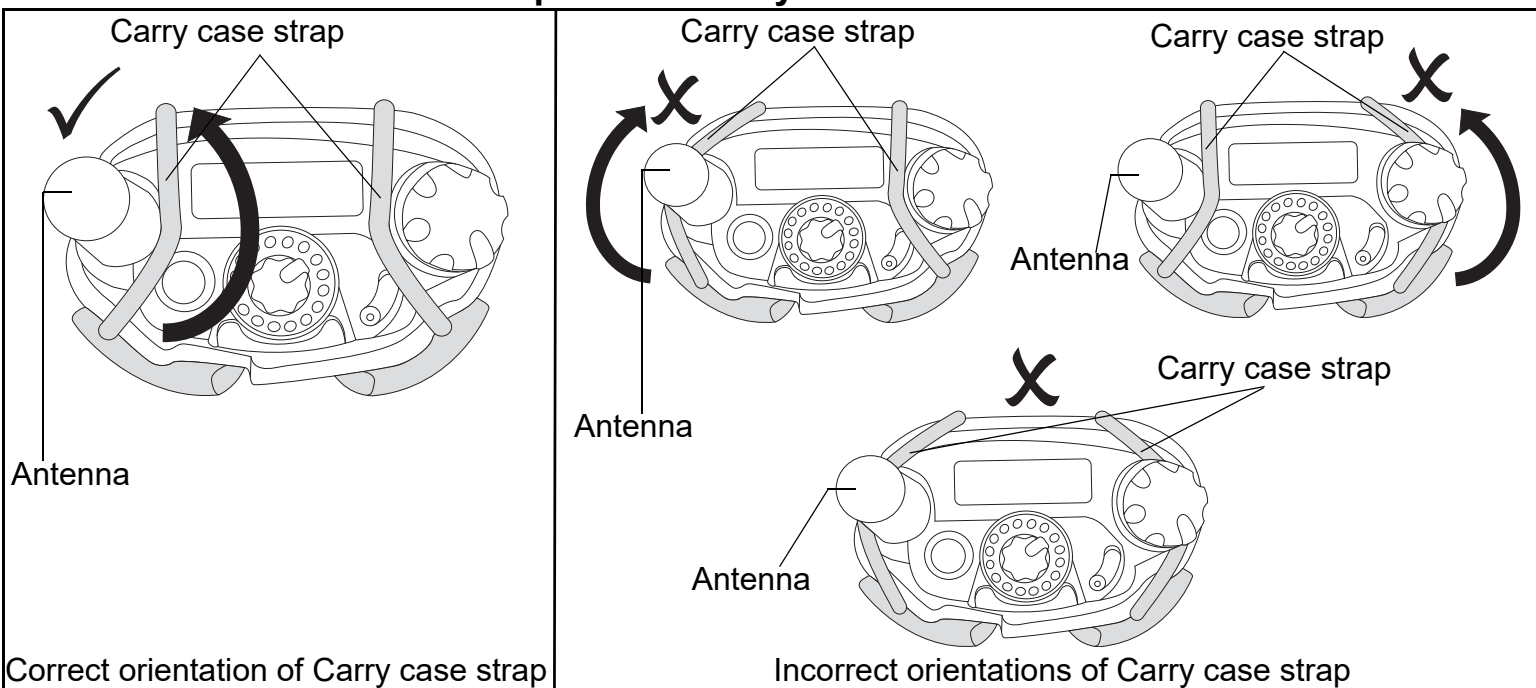
MOTOROLA, MOTO, MOTOROLA SOLUTIONS and the Stylized M Logo are trademarks or registered trademarks of Motorola Trademark Holdings, LLC and are used under license. All other trademarks are the property of their respective owners. © 2011 and 2012 Motorola Solutions, Inc. All rights reserved.
 Printed in



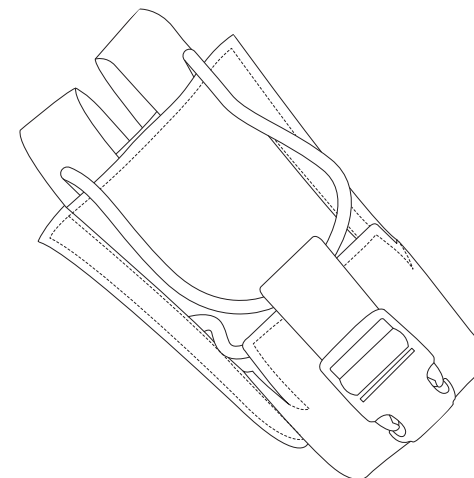
Table 1: Optional Accessories and Replacement Kit

Description	Kit Number
Carry Case	NNTN8269

Top view of carry case with radio



**Carry Case
NNTN8269**



Front view of carry case with radio

