

Over-the-Ear Earpiece Single-Pin User Manual



MN006342A01-AB

MOTOROLA, MOTO, MOTOROLA SOLUTIONS and the Stylized M logo are trademarks or registered trademarks of Motorola Trademark Holdings, LLC and are used under license. All other trademarks are the property of their respective owners.
© 2020 Motorola Solutions, Inc. All rights reserved.

EU Contact: Motorola Solutions, Czerwone Maki 82, 30-392 Krakow, Poland

Refer to manual MN006559A01 for other languages:
<https://learning.motorolasolutions.com/>



Printed in

Attention!

Before using this product, read the RF Energy Exposure and Product Safety Guide that ships with the radio which contains instructions for safe usage and RF energy awareness and control for compliance with applicable standards and regulation.

Acoustic Safety

Exposure to loud noises from any source for extended periods of time may temporarily or permanently affect your hearing. The louder the radio volume, the less time is required before your hearing can be affected. Hearing damage from loud noise is sometimes undetectable at first and can have a cumulative effect. To protect your hearing:

- Use the lowest volume necessary to do your job.
- Turn up the volume only if you are in noisy surroundings.
- Turn down the volume before attaching headset or earpiece.
- Limit the amount of time you use headsets or earpieces at high volume.

- When using the radio without a headset or earpiece, do not place the radio speaker directly against your ear.
- If you experience hearing discomfort, ringing in your ears, or muffled speech, you should stop listening to your radio through your headset or earpiece, and have your hearing checked by your doctor.

To change the volume level, refer to Radio Product Safety Leaflet or CPS for Surveillance Kit Configurations.



Caution

Recommended Practice

- Do not cover the microphone port for optimum performance.
- Do not fill the earpiece with water.
- Clean the earpiece with soft damp cloth.
- Do not use the earpiece until completely dry.

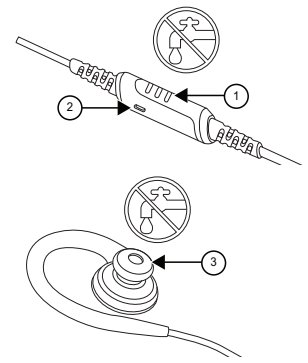


Table 1: Over-the-Ear Earpiece Overview and Description

Indicator	Description
1	Push-to-Talk Button
2	Microphone
3	Speaker

Description

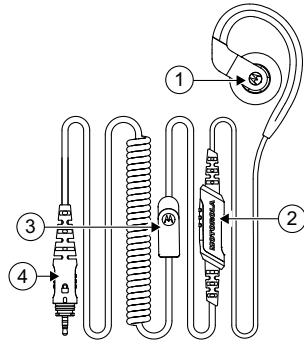
This user manual applies to the following earpieces:

Table 2: Over-the-Ear Earpiece Kit Number

Kit Number	Description
PMLN8077_	Over-the-Ear Earpiece, Single-Pin
PMLN8078_	Over-the-Ear Earpiece, Single-Pin, Inbox
PMLN8125_	Over-the-Ear Earpiece, Single-Pin, Short Cord

The earpiece is an over-the-ear accessory for devices with a 2.5-mm audio jack. It comes with an optional ear tip for a better fit when used with the earpiece. You can rotate the ear tip to fit your left or right ear.

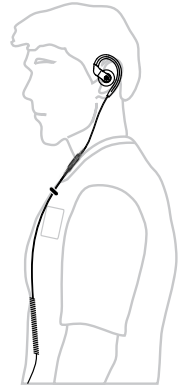
Earpiece Overview



- 1 – Earpiece Speaker
- 2 – Push-to-talk and Microphone Module
- 3 – Cloth Clip
- 4 – 2.5 mm Connector

Recommended Wearing Position

For optimized microphone performance, place the microphone close to your mouth during PTT.

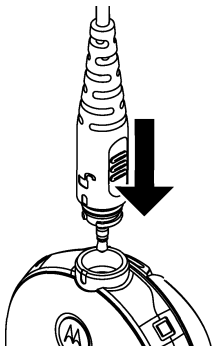


Operation

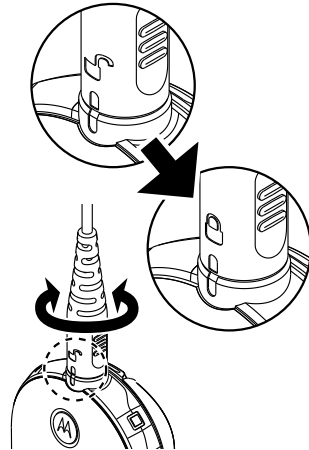
Turn off the device while attaching and detaching the earpiece.

Attaching the Earpiece

1. Insert the audio jack connector into the device audio jack.

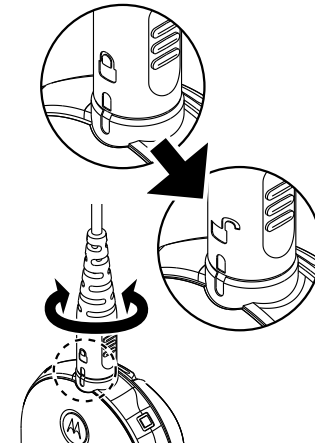


2. Rotate the audio jack connector 180 degrees to lock.

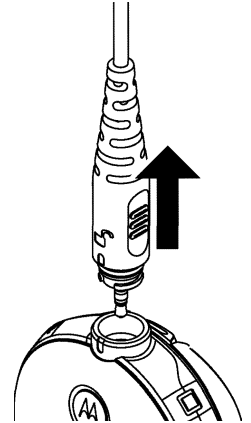


Detaching the Earpiece

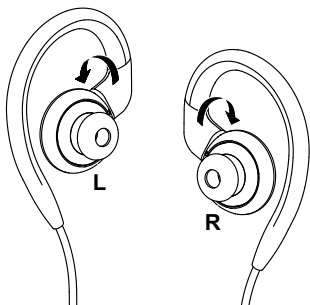
1. Rotate the audio jack connector 180 degrees to unlock.



2. Gently pull out the audio jack connector.



180° Rotatable Speaker for Left and Right Wearing Configuration



Attaching the Ear Tip

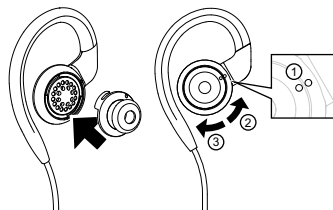


Table 3: Locking and Unlocking Ear Tip Attachment

Indicator	Description
1	Lock indicator
2	Turn counterclockwise to unlock
3	Turn clockwise to lock

Replaceable Parts

This kit comes with a default Medium-sized ear tip. Alternative sizes and their respective measurements are available in the following table.

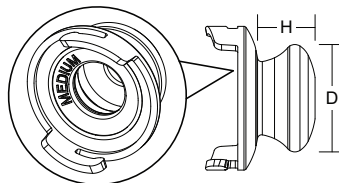


Table 4: Ear Tip Size and Measurement

Size	Height (H)	Diameter (D)
Small	6.1 mm	12.5 mm
Medium	7.0 mm	13.0 mm
Large	8.5 mm	14.0 mm

Table 5: Earpiece Replaceable Parts

Part Number	Quantity (Per Pack)	Description
PMLN8068_	5	Ear Tip (Size S)
PMLN8069_	5	Ear Tip (Size M)
PMLN8070_	5	Ear Tip (Size L)
PMLN8079_	10	Cloth Clip

Warranty

Motorola Solutions offers a standard one year warranty. Contact your Motorola Solutions dealer for detailed information on the standard warranty.

For More Information

Contact Motorola Solutions Authorized Dealer or visit us at www.motorolasolutions.com.

