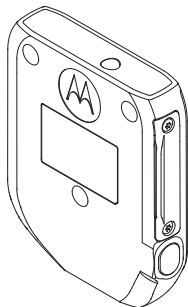




Stun Gun Drawn Sensor PMLN7848



en-US



MN004579A01-AA

MOTOROLA, MOTO, MOTOROLA SOLUTIONS and the Stylized M logo are trademarks or registered trademarks of Motorola Trademark Holdings, LLC and are used under license. All other trademarks are the property of their respective owners.
© 2018 Motorola Solutions, Inc. All rights reserved.
Printed in

Class B Digital Device

This device complies with Part 15 of the FCC Rules. Operation is subject to the following two conditions:

1. This device may not cause harmful interference, and
2. This device must accept any interference received, including interference that may cause undesired operation.

Note:

This equipment has been tested and found to comply with the limits for a Class B digital device, pursuant to part 15 of the FCC Rules. These limits are designed to provide reasonable protection against harmful interference. However, there is no guarantee that interference will not occur in a particular installation.

If this equipment does cause harmful interference to radio or television reception, which can be determined by turning the equipment off and on, the user is encouraged to try to correct the interference by one or more of the following measures:

- Increase the separation between the equipment and receiver.
- Connect the equipment into an outlet on a circuit different from that to which the receiver is connected.
- Consult the dealer or an experienced radio or TV technician for help.
- Reorient or relocate the receiving antenna.

IMPORTANT SAFETY INFORMATION

RF Energy Exposure and Product Safety Compliance

Attention!

This device is restricted to Occupational use only. Before using the device, read the RF Energy Exposure and Product Safety Guide which contains important operating instructions for safe usage and RF energy awareness and control for Compliance with applicable standards and Regulations.

Notice to Users (FCC and Industry Canada)

This device complies with Part 15 of the FCC rules and Industry Canada's license-exempt RSS's per the following conditions:

- This device may not cause harmful interference.
- This device must accept any interference received, including interference that may cause undesired operation.
- Changes or modifications made to this device, not expressly approved by Motorola Solutions, could void the authority of the user to operate this equipment.

CONSIGNES DE SECURITY IMPORTANTES

Expositionaux radio fréquences et sécurité du produit

Attention!

Cette capteur ne doit être utilisée qu'à des fins professionnelles. Avant d'utiliser la radio, lisez le guide Radios bidirectionnelles portatives: expositionaux radiofréquences et sécurité du produit, quicontient d'importantes instructions de fonctionnementpour une utilisation sécuritaire et des informations surlexposition aux fréquences radioélectriques, dans lebut d'assurer votre conformité aux normes etréglements en vigueur.

Avis aux utilisateurs (FCC et Industrie Canada)

Le présent appareil est conforme aux CNR d'Industrie Canada applicables aux appareils radio exempts de licence et à la partie 15 des règlements de la FCC.

- Cet appareil ne doit pas causer d'interférence nuisible.
- Cet appareil doit accepter toute interférence reçue, y compris les interférences pouvant entraîner un fonctionnement indésirable.
- Toute modification effectuée à cet appareil sans l'autorisation explicite de Motorola Solutions peut annuler l'autorisation d'utiliser cet appareil.

INTRODUCTION

PMLN7848 stun gun drawn sensor detects when the stun gun is removed from or inserted into the holster. An event is sent to the device, and then over the network to applications.

PMLN7848 is for both right- and left-handed stun gun holster.

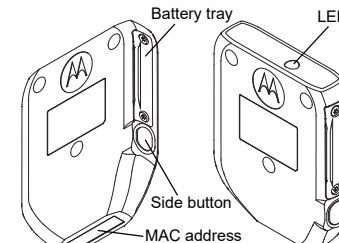


Figure 1: The stun gun drawn sensor in isometric view

The kit includes the following items:

- 1x Stun Gun Drawn Sensor
- 1x Coin Cell CR2450
- 3x Button Head Phillips Screws for Blackhawk Stun Gun Holster X2 and X26P models
- 3x Ferrite strip for Taser X2
- 3x Ferrite strip for Taser X26P
- 3x Alcohol swab
- 1x Ferrite strip Installation Guide
- 1x WEEE Directive Safety Leaflet

COMPATIBLE STUN GUN HOLSTER MODEL

Below is the list of weapon types that are supported by Blackhawk 22501 and 22504 (X2), 11501 and 11504 (X26P) models:

- Taser X2
- Taser X26P

OPERATING INSTRUCTIONS

The sensor can only connect to one device.

Battery Information:

The sensor uses coin cell CR2450. It is recommended to use Panasonic brand. Note: The coin cell is a user replaceable part.

Important Information:

Battery life may temporarily shorten in low-temperature conditions.

INSTALLING AND REPLACING THE BATTERY

1. Unscrew the battery tray as shown in Figure 2.
2. Insert the coin cell CR2450 into the tray.
3. Screw the battery tray.
4. Holster sensor is now ready for installation.

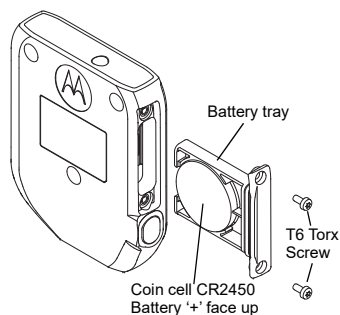


Figure 2: PMLN7848

PAIRING AND CONNECTION METHOD

1. Press the side button for three seconds. Blue LED blinks, which indicates the sensor is discoverable.
2. On your device, select the sensor from the list: e.g. TAS_yyyy (where the yyyy are the last four digits from the MAC address label located on the bottom of the sensor).
3. The sensor connects to the device.
4. Blue LED appears for three seconds upon connection.

INSTALLING THE SENSOR

1. Arrange the components as in Figure 3 with the sensor within the holster and belt clip by facing the M-logo toward the belt clip.
2. Screw the belt clip to the holster with the sensor in between using the button head philip socket screws provided.

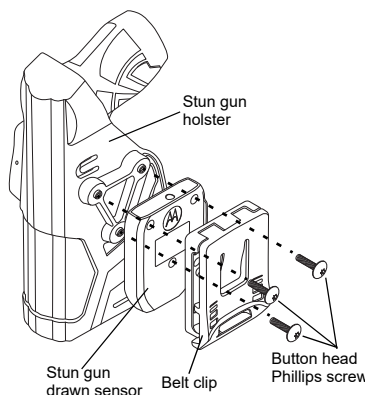


Figure 3: Installing the sensor within the stun gun holster and belt clip

INSTALLING FERRITE STRIP TO STUN GUN

Ferrite strip must be installed on **both side** of the stun gun. Refer to *Ferrite Strip Installation Leaflet* (p/n: MN004580A01).

CALIBRATION

Calibrate the sensor when it is being used for the first time.

1. Pair and connect the sensor with the device (Refer to Pairing and Connection Method section).
2. Red LED appears when the sensor is connected to the device and is not calibrated.
3. Draw and re-holster the stun gun to perform calibration. Each draw and re-holster action interval should be approximately five seconds or more. Repeat the process until the Red LED disappears. It may take approximately three times for successful calibration.

RE-CALIBRATION

Re-calibrate the sensor when the holster sensor is changed or paired with different weapon or holster.

1. Un-pair the sensor from the device.
2. Press the side button for more than 15 seconds.
3. Calibrate the sensor (Refer to Calibration section).

SOFTWARE UPGRADE

Red LED and Blue LED blink alternately during the sensor software update.

OTHER FUNCTIONS

- **Still Alive Indicator:** Press the side button to check the sensor status. Blue LED indicates the unit is responsive. If there is no Blue LED, either the battery is drained or the unit is faulty.
- **Battery Indication:** The sensor sends a notification to the device when the battery is at low state.
- **Discoverable Mode:** The sensor goes into re-connection Discoverable Mode for 1 hour and 5 minutes when it is disconnected. The device initiates re-connection to the sensor, so user does not have to press any button during Discoverable Mode. However, after re-connection time out, user needs to press the side button for more than three seconds to put the sensor back into Discoverable Mode.

FERRITE STRIP REPLACEMENT KIT

Part Number	Description
PMLN7887	Ferrite Strip Replacement Kit for Stun Gun Sensor