

# XVP IMPRES Remote Speaker Microphone with DincX Noise Suppression (PMMN4135\_, PMMN4136\_, PMMN4141\_, PMMN4142\_) User Guide

en-US

fr-CA

□ - □



uk-UA

**DECEMBER 2023**

© 2023 Motorola Solutions, Inc. All Rights Reserved.



MN008918A01-AB

# Safety and Legal

This section provides the safety and legal information for this product.

## Intellectual Property and Regulatory Notices

### Copyrights

The Motorola Solutions products described in this document may include copyrighted Motorola Solutions computer programs. Laws in the United States and other countries preserve for Motorola Solutions certain exclusive rights for copyrighted computer programs. Accordingly, any copyrighted Motorola Solutions computer programs contained in the Motorola Solutions products described in this document may not be copied or reproduced in any manner without the express written permission of Motorola Solutions.

No part of this document may be reproduced, transmitted, stored in a retrieval system, or translated into any language or computer language, in any form or by any means, without the prior written permission of Motorola Solutions, Inc.

### Trademarks

MOTOROLA, MOTO, MOTOROLA SOLUTIONS, and the Stylized M Logo are trademarks or registered trademarks of Motorola Trademark Holdings, LLC and are used under license. All other trademarks are the property of their respective owners.

### License Rights

The purchase of Motorola Solutions products shall not be deemed to grant either directly or by implication, estoppel or otherwise, any license under the copyrights, patents or patent applications of Motorola Solutions, except for the normal nonexclusive, royalty-free license to use that arises by operation of law in the sale of a product.

### Open Source Content

This product may contain Open Source software used under license. Refer to the product installation media for full Open Source Legal Notices and Attribution content.

### European Union (EU) and United Kingdom (UK) Waste of Electrical and Electronic Equipment (WEEE) Directive



The European Union's WEEE directive and the UK's WEEE regulation require that products sold into EU countries and the UK must have the crossed-out wheeled bin label on the product (or the package in some cases). As defined by the WEEE directive, this crossed-out wheeled bin label means that customers and end users in EU and UK countries should not dispose of electronic and electrical equipment or accessories in household waste.

Customers or end users in EU and UK countries should contact their local equipment supplier representative or service center for information about the waste collection system in their country.

### Disclaimer

Please note that certain features, facilities, and capabilities described in this document may not be applicable to or licensed for use on a specific system, or may be dependent upon the characteristics of a specific mobile

subscriber unit or configuration of certain parameters. Please refer to your Motorola Solutions contact for further information.

© 2023 Motorola Solutions, Inc. All Rights Reserved

## Conformity Markings



# Contact Us

The Centralized Managed Support Operations (CMSO) is the primary contact for technical support included in your organization's service agreement with Motorola Solutions.

Service agreement customers should be sure to call the CMSO in all situations listed under Customer Responsibilities in their agreement, such as:

- To confirm troubleshooting results and analysis before taking action

Your organization received support phone numbers and other contact information appropriate for your geographic region and service agreement. Use that contact information for the most efficient response. However, if needed, you can also find general support contact information on the Motorola Solutions website, by following these steps:

1. Enter [motorolasolutions.com](https://motorolasolutions.com) in your browser.
2. Ensure that your organization's country or region is displayed on the page. Clicking or tapping the name of the region provides a way to change it.
3. Select "Support" on the [motorolasolutions.com](https://motorolasolutions.com) page.

## Comments

Send questions and comments regarding user documentation to [documentation@motorolasolutions.com](mailto:documentation@motorolasolutions.com).

Provide the following information when reporting a documentation error:

- The document title and part number
- The page number or title of the section with the error
- A description of the error

Motorola Solutions offers various courses designed to assist in learning about the system. For information, go to <https://learning.motorolasolutions.com> to view the current course offerings and technology paths.

# Icon Conventions

The documentation set is designed to give the reader more visual clues. The following graphic icons are used throughout the documentation set.



**DANGER:** The signal word DANGER with the associated safety icon implies information that, if disregarded, will result in death or serious injury.



**WARNING:** The signal word WARNING with the associated safety icon implies information that, if disregarded, could result in death or serious injury, or serious product damage.



**CAUTION:** The signal word CAUTION with the associated safety icon implies information that, if disregarded, may result in minor or moderate injury, or serious product damage.

**CAUTION:** The signal word CAUTION may be used without the safety icon to state potential damage or injury that is not related to the product.



**IMPORTANT:** IMPORTANT statements contain information that is crucial to the discussion at hand, but is not a CAUTION or WARNING. There is no warning level associated with the IMPORTANT statement.



**NOTE:** NOTICE contains information more important than the surrounding text, such as exceptions or preconditions. They also refer the reader elsewhere for additional information, remind the reader how to complete an action (when it is not part of the current procedure, for instance), or tell the reader where something is on the screen. There is no warning level associated with a notice.

# Foreword

## RF Energy Exposure and Product Safety Guide for Portable Two-Way Radios

**CAUTION:**

Before using this product, read this guide which contains RF energy awareness information and operating instructions.

For information on intrinsic and/or nonincendive safety certification, refer to the Approval manual that ships with your radio.

## Acoustic Safety

Exposure to loud noises from any source for extended periods of time may temporarily or permanently affect your hearing. The louder the radio volume, the less time is required before your hearing could be affected. Hearing damage from loud noise is sometimes undetectable at first and can have a cumulative effect. To protect your hearing:

- Use the lowest volume necessary to do your job.
- Turn up the volume only if you are in noisy surroundings.
- Turn down the volume before wearing the headset or earpiece.
- Limit the amount of time that you use headsets or earpieces at high volume.
- When using the radio without a headset or earpiece, do not place the radio speaker directly against your ear.
- If you experience hearing discomfort, ringing in your ears, or speeches that are muffled, you should stop listening to your radio through your headset or earpiece, and have your hearing checked by your doctor. To change the volume level, refer to Radio Product Safety Leaflet or Customer Programming Software (CPS) for Surveillance extra loud (xL) Kit Configurations.

## Warranty

Motorola Solutions offers warranty for your RSM. Refer to your Motorola Solutions dealer or point-of-purchase for detailed information.



**NOTE:** Warranty is void after customer replacement of any parts other than replacement parts listed.

# Contents

|  |           |
|--|-----------|
| <b>Safety and Legal</b> .....  | <b>2</b>  |
| Intellectual Property and Regulatory Notices.....                            | 2         |
| Conformity Markings.....   | 3         |
| <b>Contact Us</b> .....  | <b>4</b>  |
| <b>Icon Conventions</b> .....  | <b>5</b>  |
| <b>Foreword</b> .....  | <b>6</b>  |
| RF Energy Exposure and Product Safety Guide for Portable Two-Way Radios..... | 6         |
| Acoustic Safety.....   | 6         |
| Warranty.....  | 6         |
| <b>Chapter 1: Product Overview</b> .....                                     | <b>8</b>  |
| 1.1 Replacement Parts.....   | 10        |
| 1.1.1 Replacing Coil Cord.....   | 11        |
| <b>Chapter 2: Operating Instructions</b> .....                               | <b>12</b> |
| 2.1 Attaching the Remote Speaker Microphone (RSM) to the Radio.....          | 12        |
| 2.2 Attaching Swivel Belt Loop.....  | 12        |
| 2.3 Detaching Swivel Belt Loop.....  | 13        |
| 2.4 Earpiece Audio Jack.....   | 14        |
| <b>Chapter 3: Recommended Practices</b> .....                                | <b>15</b> |
| 3.1 Holding Your RSM.....  | 15        |
| 3.2 Using Your RSM.....  | 16        |
| 3.3 Positioning Your RSM.....  | 17        |
| 3.4 Proper Handling.....   | 18        |
| 3.5 Best Transmit Practices.....   | 18        |
| <b>Chapter 4: Cleaning Procedure</b> .....                                   | <b>19</b> |
| <b>Chapter 5: RSM Firmware Upgrades Notice</b> .....                         | <b>20</b> |
| 5.1 Radio Firmware Requirement.....  | 20        |

# Chapter 1

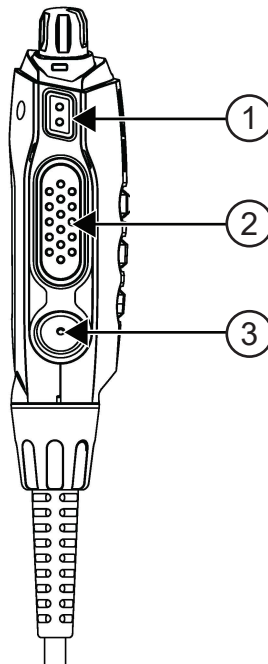
## Product Overview

### Remote Speaker Microphone (RSM) Models

Table 1: RSM Models


| Part Number | Description              | Replacement Coil Cord | Compatible Radios |
|-------------|--------------------------|-----------------------|-------------------|
| PMMN4135_   | Channel Knob RSM         | PMKN4260_             | APX, APX NEXT     |
|             |                          | PMKN4263_             | APX N70           |
| PMMN4136_   | Without Channel Knob RSM | PMKN4260_             | APX, APX NEXT     |
|             |                          | PMKN4263_             | APX N70           |
| PMMN4141_   | Channel Knob RSM         | PMKN4260_             | APX, APX NEXT     |
|             |                          | PMKN4263_             | APX N70           |
| PMMN4142_   | Without Channel Knob RSM | PMKN4260_             | APX, APX NEXT     |
|             |                          | PMKN4263_             | APX N70           |

### PTT and Programmable Button

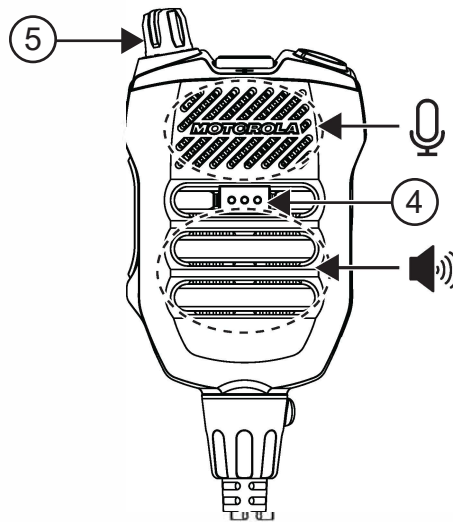





| Number | Description |
|--------|-------------|
| 1      | 2-Dot       |
| 2      | PTT         |
| 3      | 1-Dot       |

 **NOTE:** 1-Dot, 2-Dot, and 3-Dot programmable buttons can be configured to other functions different from the same buttons on the radio. Refer to radio user manual for more information.

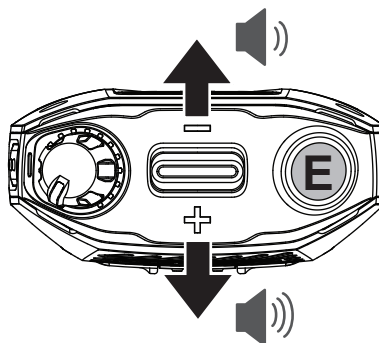
### Speaker and Microphone



| Number | Description  |
|--------|--------------|
| 4      | 3-Dot        |
| 5      | Channel Knob |




 **NOTE:** Only applicable to PMMN4135\_ and PMMN4141\_.


### Increasing and Decreasing Volume

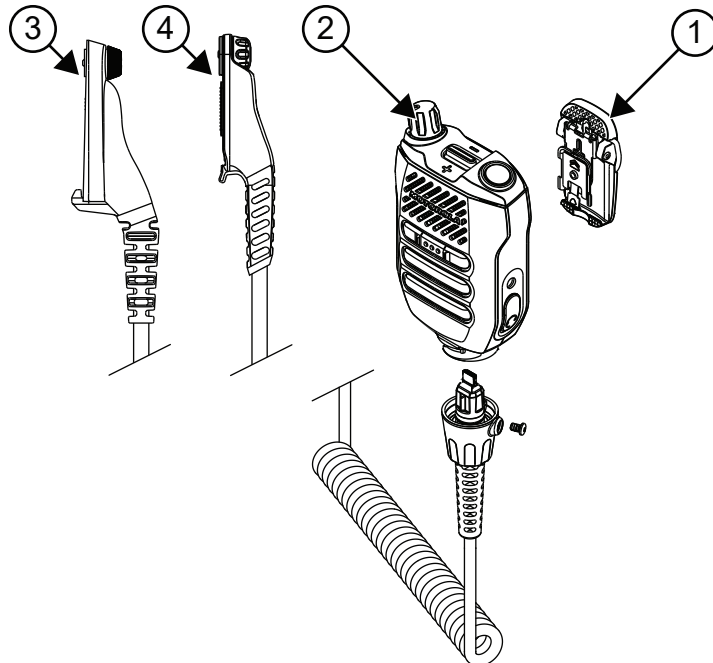



## 1.1 Replacement Parts

Table 2: Replacement Parts

| Item | Part Number | Description   |
|------|-------------|---|
| 1    | PMLN8312_   | Low Profile Swivel Clip with D-Ring   |
| 2    | PMLN8313_   | Channel Knob<br> <b>NOTE:</b> Only applicable to PMMN4135_ and PMMN4141_.                |
| 3    | PMKN4260_   | Coil Cord<br> <b>NOTE:</b> Compatible with accessory side connector of APX and APX Next. |
| 4    | PMKN4263_   | Coil Cord<br> <b>NOTE:</b> Compatible with accessory side connector of APX N70.          |

 **NOTE:** Swapping the cable between PMKN4260\_ and PMKN4263\_ on the Remote Speaker Microphone (RSM) head is allowed but the rear housing label information does not change. Refer to the respective radio UL manual for compatible accessories.



 **NOTE:** To avoid functional problem, do not plug in incompatible cables.

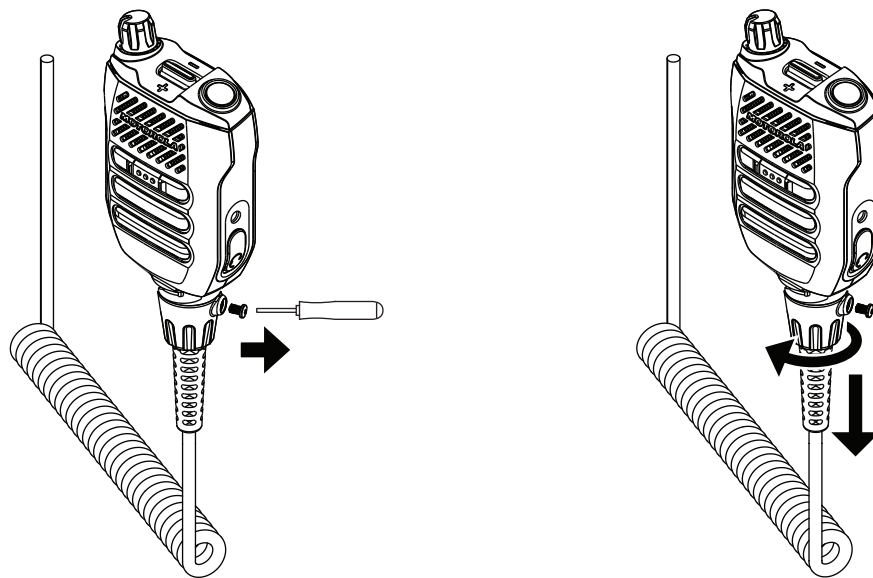
## Optional Accessories

Table 3: Optional Accessories

| Part Number | Description   |
|-------------|---|
| PMLN8120_   | Receive-Only Loud Audio Earpiece with Translucent Tube, 3.5 mm Jack |
| PMLN8650_   | N-ear 360 Flexo™ Dynamic Braided Fiber Cloth™ Single Ear Earpiece   |
| PMLN8652_   | Receive-Only Extra Loud Earpiece with Translucent Tube, 3.5 mm Jack |

### 1.1.1

## Replacing Coil Cord



## Chapter 2

# Operating Instructions

This section provides guidelines on how to use your Remote Speaker Microphone.


### 2.1

## Attaching the Remote Speaker Microphone (RSM) to the Radio

**Prerequisites:** Turn off your radio.

**Procedure:**

1. Attach the RSM connector to the side connector of the radio.
2. Secure the connection screw in a clockwise direction until tightened.

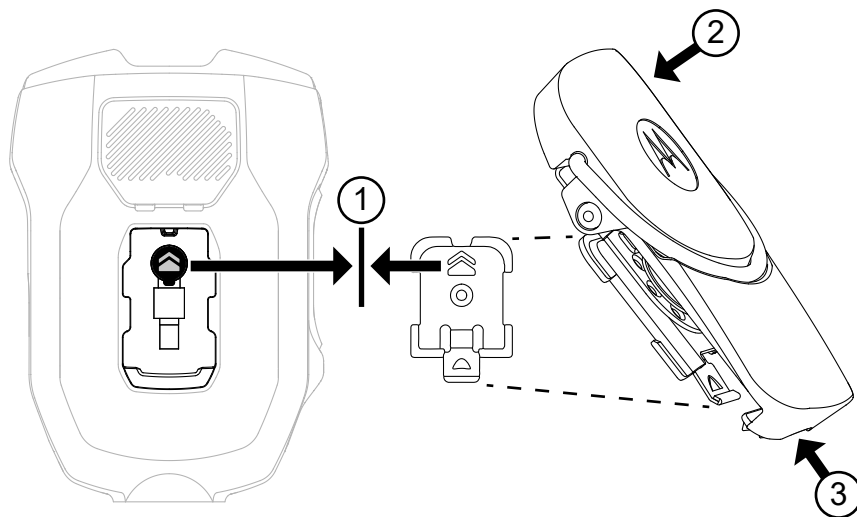
 **NOTE:** To ensure proper operation, turn off the radio before connecting the RSM to the radio. Connecting the RSM to the radio disables the speaker of the radio, but does not disable the microphone and PTT of the radio.

### 2.2

## Attaching Swivel Belt Loop

**Procedure:**

1. Match and align the arrowhead icons and side wings.
2. Push down the top of the clip.
3. Simultaneously, push slide clip upward.

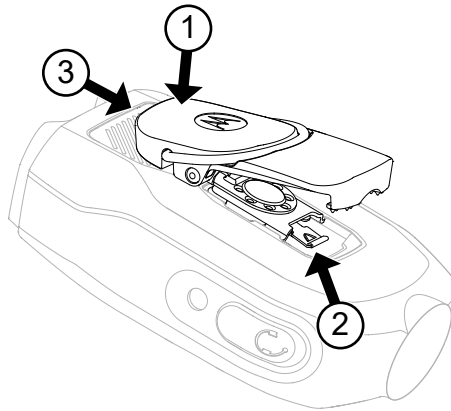


## 2.3

# Detaching Swivel Belt Loop

### Procedure:

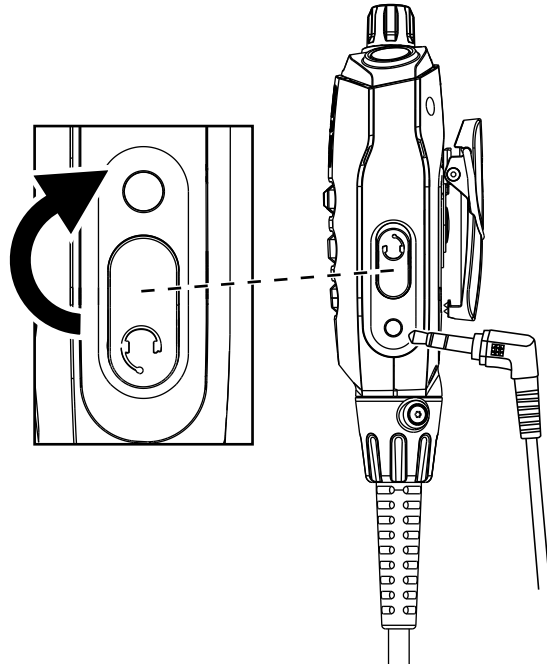
1. Push the top of the clip to raise the clip to the highest position.
2. Lift up the bottom release latch.  
Recommended to use the small flat tip tool.
3. To remove the clip, slide the clip.



2.4

# Earpiece Audio Jack

Figure 1: Inserting Audio Jack



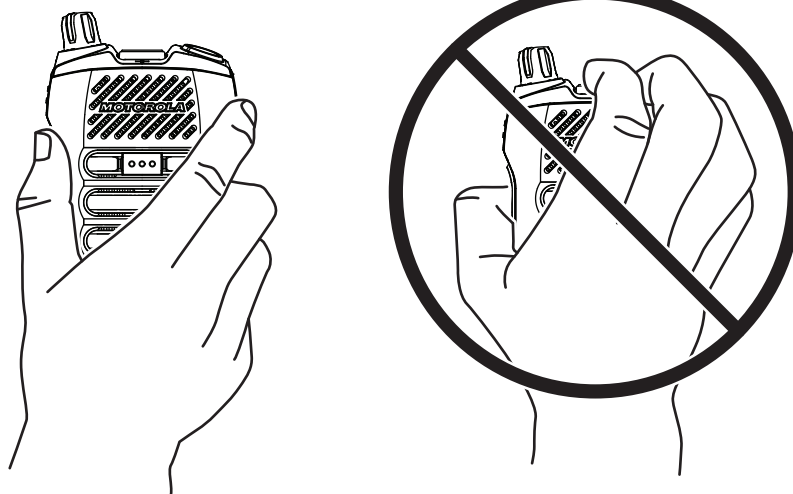
## Chapter 3

# Recommended Practices

This section provides information on the recommended practices for the Remote Speaker Microphone (RSM).

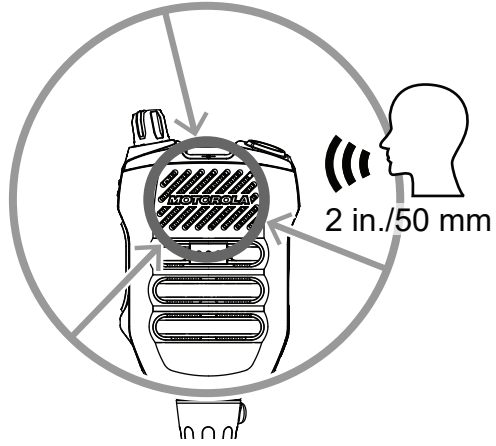
### 3.1

## Holding Your RSM



3.2

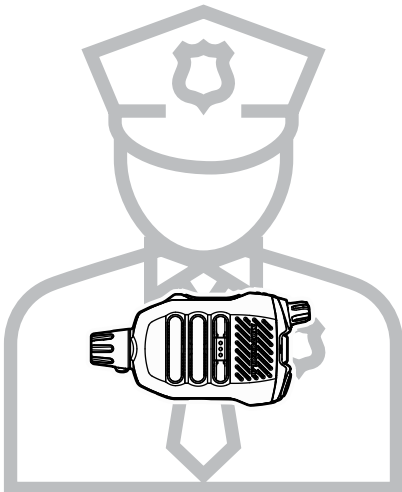
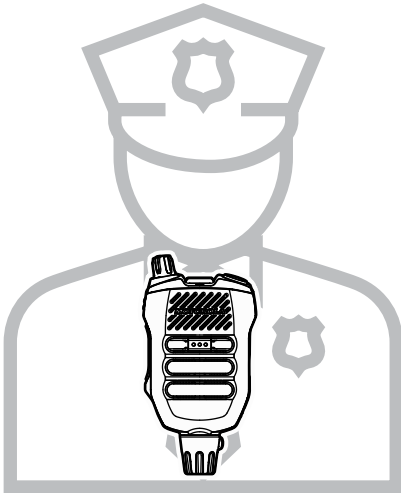
# Using Your RSM





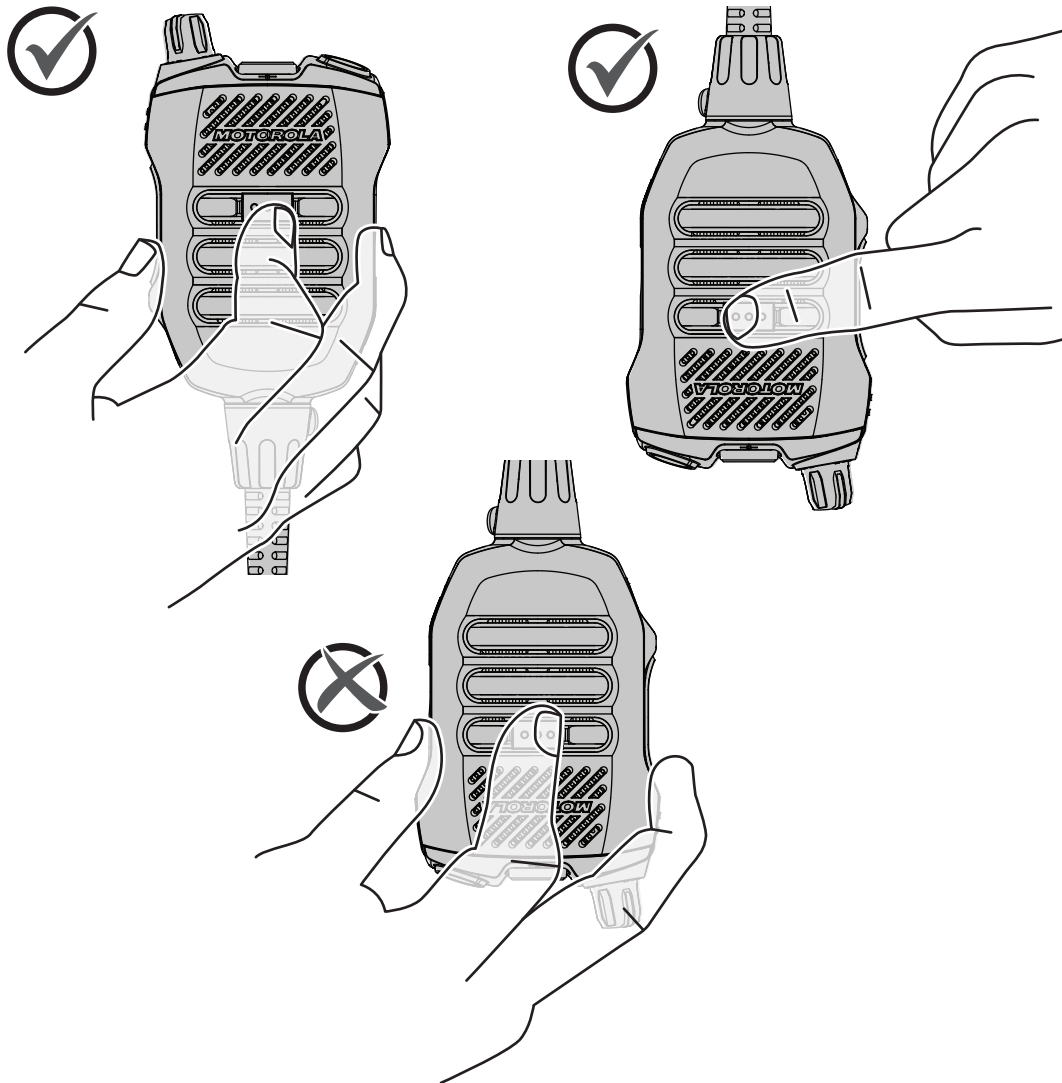
3.3

# Positioning Your RSM



### 3.4


## Proper Handling



### 3.5

## Best Transmit Practices

- Hold the Remote Speaker Microphone (RSM) 1–2 inches from mouth.
- Speak in a loud, clear, and controlled voice
- Speak louder than the background noise
- When practical, shake the RSM to clear water before transmitting

 **NOTE:** Refer to the radio user manual for more details.

## Chapter 4

# Cleaning Procedure

Do not use solvents to clean your Remote Speaker Microphone (RSM) as most chemicals may permanently damage the RSM housing and textures. Do not submerge the RSM in the detergent solution. To clean the external surfaces of your radio, perform the following procedure:

**Procedure:**

1. Vacuum the front surface of the RSM. Avoid completely covering the speaker grill and microphone openings all at once with the nozzle.
2. Mix one teaspoon of mild dish-washing detergent to one gallon of water (0.5 % solution) to clean the external surfaces of the RSM.
3. Apply the solution sparingly with a stiff, non-metallic, short bristled brush, making sure excess detergent does not get entrapped near the connectors, controls or crevices. Dry the RSM thoroughly with a soft, lint-free cloth.

## Chapter 5

# RSM Firmware Upgrades Notice

- Radio checks the Remote Speaker Microphone (RSM) firmware version automatically after power up.
- Older RSM firmware is upgraded automatically through the radio.
- RSM firmware upgrade process takes less than 20 seconds to complete.
- During firmware update, all buttons except PTT and emergency button do not function.
- RSM firmware upgrade is aborted by the PTT Transmit (Tx) or incoming Receive (Rx) during the upgrade process. Turn your radio off and on again to re-initiate the RSM firmware upgrade.

## 5.1

### Radio Firmware Requirement

XVP RSM is only compatible with the following radio firmware version and later:

- APX Radios: R24.00.00
- APX Next Radios: R03.20.00
- APX N70 Radios : R01.00.00

# Guide d'utilisation du microphone haut-parleur distant XVP IMPRES avec suppression du bruit DincX (PMMN4135\_, PMMN4136\_, PMMN4141\_, PMMN4142\_)

**DÉCEMBRE 2023**

© 2023 Motorola Solutions, Inc. All Rights Reserved.



MN008918A01-AB

# Sécurité et aspect juridique

Cette section fournit des renseignements sur la sécurité et l'aspect juridique pour ce produit.

## Propriété intellectuelle et avis réglementaires

### Droits d'auteur

Les produits Motorola Solutions décrits dans ce document peuvent inclure des programmes informatiques Motorola Solutions protégés par un copyright. Les lois des États-Unis et d'autres pays garantissent certains droits exclusifs à Motorola Solutions pour ces programmes informatiques protégés par un copyright. En conséquence, il est interdit de copier ou de reproduire, de quelque manière que ce soit, les programmes informatiques Motorola Solutions protégés par un copyright contenus dans les produits Motorola Solutions décrits dans ce document sans l'autorisation expresse et écrite de Motorola Solutions.

Aucune partie du présent document ne peut être reproduite, transmise, stockée dans un système de récupération ou traduite dans toute autre langue ou tout autre langage informatique, sous quelque forme ou par quelque moyen que ce soit, sans l'autorisation écrite préalable de Motorola Solutions, Inc.

### Marques de commerce

MOTOROLA, MOTO, MOTOROLA SOLUTIONS, and the Stylized M Logo are trademarks or registered trademarks of Motorola Trademark Holdings, LLC and are used under license. All other trademarks are the property of their respective owners.

### Droits de licence

L'acquisition de produits Motorola Solutions ne saurait en aucun cas conférer de licence, directement, indirectement ou de toute autre manière, en vertu des droits d'auteur, brevets ou demandes de brevet appartenant à Motorola Solutions, autres que la licence habituelle d'utilisation non exclusive et libre de droit qui découle légalement de la vente du produit.

### Contenu à code source libre

Ce produit peut contenir des logiciels libres utilisés sous licence. Reportez-vous au support d'installation du produit pour obtenir tous les avis juridiques relatifs aux logiciels libres et aux contenus d'attribution.

### Directive sur la mise au rebut des équipements électriques et électroniques (DEEE) de l'Union européenne (UE) et du Royaume-Uni (RU)



La directive DEEE de l'Union européenne et les réglementations DEEE du Royaume-Uni exigent que les produits (ou leur emballage, dans certains cas) vendus dans les pays de l'UE ou au Royaume-Uni portent l'étiquette de la poubelle barrée. Comme le définit la directive DEEE, cette étiquette de poubelle barrée signifie que les clients et les utilisateurs finaux dans les pays de l'UE et du Royaume-Uni ne doivent pas jeter les équipements électriques et électroniques ou leurs accessoires dans les ordures domestiques.

Les clients ou les utilisateurs finaux au sein de l'UE et du Royaume-Uni doivent prendre contact avec le représentant local du fournisseur de leur équipement ou le centre de service pour obtenir des informations sur le système de collecte des déchets dans leur pays.

## Avis de non-responsabilité

Veillez noter que certaines fonctionnalités, installations et capacités décrites dans ce document pourraient ne pas s'appliquer ou être accordées sous licence pour l'utilisation sur un système particulier, ou pourraient dépendre des caractéristiques d'une unité mobile d'abonné ou d'une configuration de certains paramètres. Contactez votre représentant Motorola Solutions pour en savoir plus.

© 2023 Motorola Solutions, Inc. All Rights Reserved

## Marquages de conformité



# Communiquer avec nous

Le centre des opérations de soutien centralisé (« Centralized Managed Support Operations » ou CMSO) est le point de contact principal pour le soutien technique compris dans l'entente de service de votre organisation avec Motorola Solutions.

Les clients disposant d'ententes de service doivent s'assurer d'appeler le CMSO dans toutes les situations énumérées dans la section Responsabilités du client de leur entente de service, notamment :

- Pour confirmer les résultats du dépannage et de l'analyse avant de prendre des mesures

Votre entreprise a reçu les numéros de téléphone du soutien et d'autres coordonnées appropriées pour votre région géographique et votre entente de service. Utilisez ces informations pour obtenir la meilleure réponse possible. Cependant, si nécessaire, vous pouvez également trouver les coordonnées du soutien général sur le site Web de Motorola Solutions, en suivant ces étapes :

1. Entrez [motorolasolutions.com](http://motorolasolutions.com) dans votre navigateur.
2. Vous devez vous assurer que le pays ou la région de votre organisation se trouve sur la page. Cliquez ou appuyez sur le nom de la région pour la changer.
3. Sélectionnez « Soutien » à la page [motorolasolutions.com](http://motorolasolutions.com).

## Commentaires

Envoyez vos questions et commentaires sur la documentation destinée aux utilisateurs à l'adresse [documentation@motorolasolutions.com](mailto:documentation@motorolasolutions.com).

Pour signaler une erreur dans la documentation, veuillez fournir les renseignements suivants :

- Le titre et le numéro de pièce du document
- Le numéro de la page ou le titre de la section contenant l'erreur
- Une description de l'erreur

Motorola offre plusieurs cours conçus pour vous aider à apprendre à utiliser le système. Pour en savoir davantage et consulter la liste des cours actuellement offerts et les parcours technologiques, accédez à <https://learning.motorolasolutions.com>.



# Conventions des icônes

L'ensemble de documentation est conçu pour donner au lecteur plus d'indices visuels. Les icônes suivantes sont utilisées dans tout l'ensemble de documentation.



**DANGER :**

Le mot-indicateur DANGER avec l'icône de sécurité associée comprend de l'information qui, si elle est ignorée, peut entraîner la mort ou des blessures graves.



**AVERTISSEMENT :**

Le mot-indicateur AVERTISSEMENT avec l'icône de sécurité associée comprend de l'information qui, si elle est ignorée, peut entraîner la mort ou des blessures graves ou de graves dommages au produit.



**MISE EN GARDE :**

Le mot-indicateur MISE EN GARDE avec l'icône de sécurité associée comprend de l'information qui, si elle est ignorée, peut entraîner des blessures mineures ou modérées ou de graves dommages au produit.

**MISE EN GARDE :**

Le mot-indicateur MISE EN GARDE peut être utilisé sans l'icône de sécurité pour signaler de possibles blessures ou dommages qui ne sont pas liés au produit.



**IMPORTANT :**

Les énoncés avec le mot-indicateur IMPORTANT contiennent des informations cruciales sur le sujet abordé, mais ne sont pas des MISES EN GARDE ni des AVERTISSEMENTS. Aucun niveau d'avertissement n'est associé aux énoncés « IMPORTANT ».



**REMARQUE :**

Un AVIS contient des informations plus importantes que le texte avoisinant, comme des exceptions ou des conditions préalables. Les avis peuvent également renvoyer le lecteur ailleurs pour des renseignements supplémentaires, lui rappeler comment effectuer une action (lorsqu'elle ne fait pas partie de la présente procédure, par exemple) ou lui dire où se trouve quelque chose à l'écran. Aucun niveau d'avertissement n'est associé à un avis.

# Avant-propos

## Guide sur la sécurité du produit et l'exposition aux radiofréquences pour les radios bidirectionnelles portatives

### **MISE EN GARDE :**

Avant d'utiliser ce produit, lisez ce guide qui contient des informations relatives à l'énergie RF et des instructions d'utilisation.

Pour obtenir des renseignements sur la certification de sécurité intrinsèque ou non incendiaire, consultez le manuel d'approbation que vous avez reçu avec votre radio.

## Sécurité acoustique

Une exposition à des bruits forts en provenance de n'importe quelle source pendant de longues périodes pourrait affecter votre audition de manière temporaire ou permanente. Plus le volume sonore de la radio est élevé, plus votre audition peut se détériorer rapidement. Des dommages auditifs dus à l'exposition à des bruits forts peuvent d'abord être indétectables, mais ceux-ci ont parfois des effets cumulatifs. Pour protéger votre audition :

- Réglez le volume le plus bas possible pour effectuer votre travail.
- Montez le volume seulement si vous vous trouvez dans un environnement bruyant.
- Baissez le volume avant de porter le casque ou l'écouteur.
- Limitez la période d'utilisation d'un casque ou d'un écouteur à volume élevé.
- Lorsque vous utilisez la radio sans casque ni écouteur, ne placez pas le haut-parleur directement sur votre oreille.
- Si vous ressentez une gêne auditive, si vous entendez des sifflements ou si les conversations sont étouffées, vous devez cesser d'utiliser votre radio avec un casque d'écoute ou une oreillette et consulter votre médecin pour faire vérifier votre audition. Pour changer le niveau de volume, reportez-vous au feuillet sur la sécurité du produit ou au logiciel de programmation client (CPS) pour trousse de surveillance extra forte (xL).

## Garantie

Motorola Solutions offre une garantie pour votre RSM. Consultez votre détaillant Motorola Solutions ou votre point de vente pour obtenir des renseignements détaillés.



### **REMARQUE :**

La garantie sera nulle si le client remplace des pièces autres que les pièces de rechange indiquées.

# Table des matières

|   |           |
|---|-----------|
| <b>Sécurité et aspect juridique</b> .....   | <b>2</b>  |
| Propriété intellectuelle et avis réglementaires.....  | 2         |
| Marquages de conformité.....  | 3         |
| <b>Communiquer avec nous</b> .....  | <b>4</b>  |
| <b>Conventions des icônes</b> .....   | <b>5</b>  |
| <b>Avant-propos</b> .....   | <b>6</b>  |
| Guide sur la sécurité du produit et l'exposition aux radiofréquences pour les radios<br>bidirectionnelles portatives..... | 6         |
| Sécurité acoustique.....  | 6         |
| Garantie.....   | 6         |
| <b>Chapitre 1 : Présentation du produit</b> .....   | <b>8</b>  |
| 1.1 Pièces de rechange.....   | 10        |
| 1.1.1 Remplacement du cordon spiralé.....   | 12        |
| <b>Chapitre 2 : Instructions d'utilisation</b> .....  | <b>13</b> |
| 2.1 Branchement du haut-parleur/microphone distant (RSM) à la radio.....  | 13        |
| 2.2 Fixation de la boucle de ceinture pivotante.....  | 13        |
| 2.3 Retrait de la boucle de ceinture pivotante.....   | 14        |
| 2.4 Prise audio pour écouteur.....  | 15        |
| <b>Chapitre 3 : Pratiques recommandées</b> .....  | <b>16</b> |
| 3.1 Tenue de votre RSM.....   | 16        |
| 3.2 Utilisation de votre RSM.....   | 17        |
| 3.3 Positionnement de votre RSM.....  | 18        |
| 3.4 Manipulation appropriée.....  | 19        |
| 3.5 Meilleures pratiques d'émission.....  | 19        |
| <b>Chapitre 4 : Procédure de nettoyage</b> .....  | <b>20</b> |
| <b>Chapitre 5 : Avis de mises à niveau du micrologiciel du RSM</b> .....  | <b>21</b> |
| 5.1 Exigence du micrologiciel de la radio.....  | 21        |

# Chapitre 1

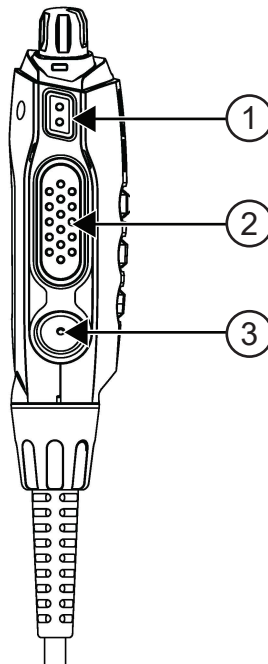
## Présentation du produit

### Modèles de haut-parleurs/microphones à distance (RSM)

Tableau 1 : Modèles RSM

| Numéro de pièce | Description              | Cordon spiralé de recharge | Radios compatibles |
|-----------------|--------------------------|----------------------------|--------------------|
| PMMN4135_       | Bouton de canal RSM      | PMKN4260_                  | APX, APX NEXT      |
|                 |                          | PMKN4263_                  | APX N70            |
| PMMN4136_       | Sans bouton de canal RSM | PMKN4260_                  | APX, APX NEXT      |
|                 |                          | PMKN4263_                  | APX N70            |
| PMMN4141_       | Bouton de canal RSM      | PMKN4260_                  | APX, APX NEXT      |
|                 |                          | PMKN4263_                  | APX N70            |
| PMMN4142_       | Sans bouton de canal RSM | PMKN4260_                  | APX, APX NEXT      |
|                 |                          | PMKN4263_                  | APX N70            |

### PTT et touche programmable



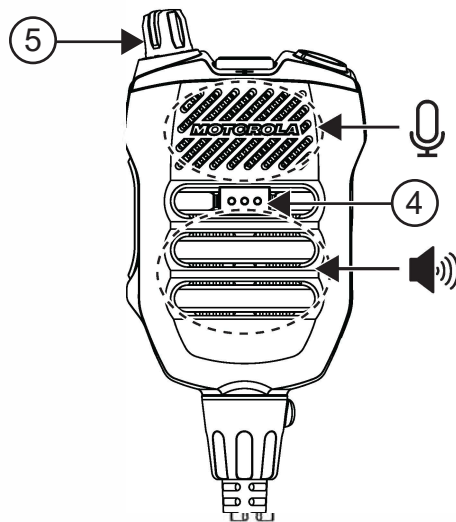
| Numéro | Description |
|--------|-------------|
| 1      | 2 points    |
| 2      | PTT         |
| 3      | 1 point     |




**REMARQUE :**

Les boutons programmables à 1 point, 2 points et 3 points peuvent être configurés pour d'autres fonctions que celles des boutons correspondants de la radio. Reportez-vous au manuel d'utilisation de la radio pour en savoir plus.

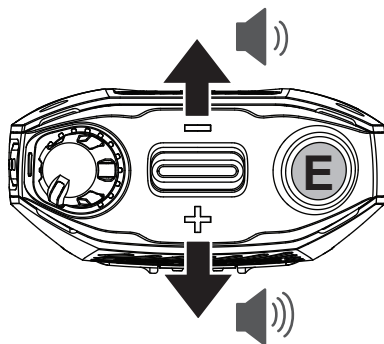
### Haut-parleur et microphone



| Numéro | Description     |
|--------|-----------------|
| 4      | 3 points        |
| 5      | Bouton de canal |

 **REMARQUE :**  
S'applique uniquement aux produits PMMN4135\_ et PMMN4141\_.




## Augmentation et réduction du volume



### 1.1

## Pièces de rechange

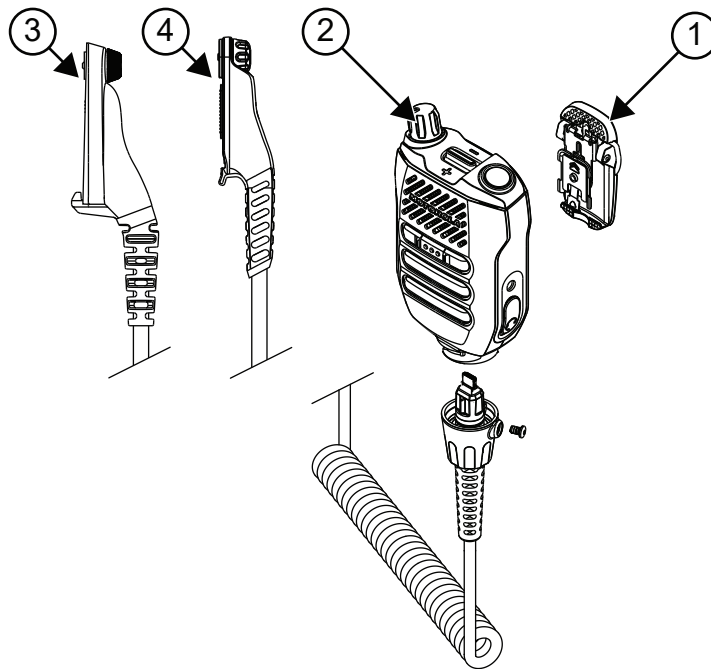
Tableau 2 : Pièces de rechange

| Composant | Numéro de pièce | Description  |
|-----------|-----------------|--|
| 1         | PMLN8312_       | Pince pivotante à profil bas avec anneau en D  |
| 2         | PMLN8313_       | Bouton de canal<br> <b>REMARQUE :</b><br>S'applique uniquement aux produits PMMN4135_ et PMMN4141_.                      |
| 3         | PMKN4260_       | Cordon spiralé<br> <b>REMARQUE :</b><br>Compatible avec le connecteur d'accessoire latéral des modèles APX et APX NEXT. |
| 4         | PMKN4263_       | Cordon spiralé<br> <b>REMARQUE :</b><br>Compatible avec le connecteur d'accessoire latéral des modèles APX N70.         |



**REMARQUE :**

Il est possible d'échanger les câbles PMKN4260\_ et PMKN4263\_ de la tête du microphone haut-parleur distant (RSM), mais les renseignements sur l'étiquette du boîtier arrière ne changent pas. Consultez le manuel UL de la radio concernée pour savoir quels accessoires sont compatibles.



**REMARQUE :**

Pour éviter tout problème de fonctionnement, n'utilisez que des câbles compatibles.

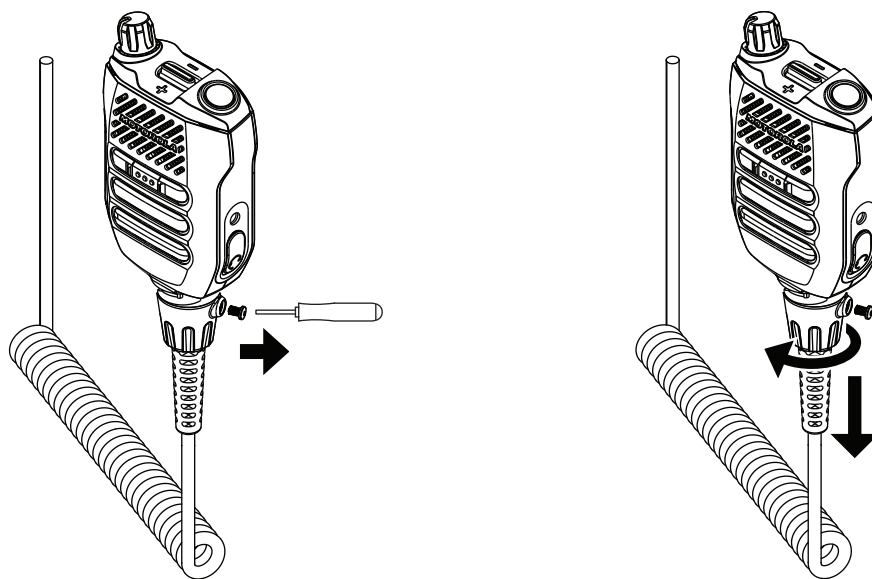
## Accessoires en option

Tableau 3 : Accessoires en option

| Numéro de pièce | Description   |
|-----------------|---|
| PMLN8120_       | Écouteur à haut volume et réception seulement avec tube translucide, prise 3,5 mm       |
| PMLN8650_       | Oreillette simple N-ear 360 Flexo™ en fibre tressée dynamique Cloth™                    |
| PMLN8652_       | Écouteur à ultra haut volume et réception seulement avec tube translucide, prise 3,5 mm |

### 1.1.1

## Remplacement du cordon spiralé





## Chapitre 2

# Instructions d'utilisation

Cette section fournit des directives sur l'utilisation de votre microphone haut-parleur distant.

### 2.1

## Branchement du haut-parleur/microphone distant (RSM) à la radio

#### Préalables :

Éteignez votre radio.

#### Procédure :

1. Branchez le connecteur du RSM au connecteur latéral de la radio.
2. Vissez la vis de connexion dans le sens horaire jusqu'à ce qu'elle soit serrée.



#### REMARQUE :

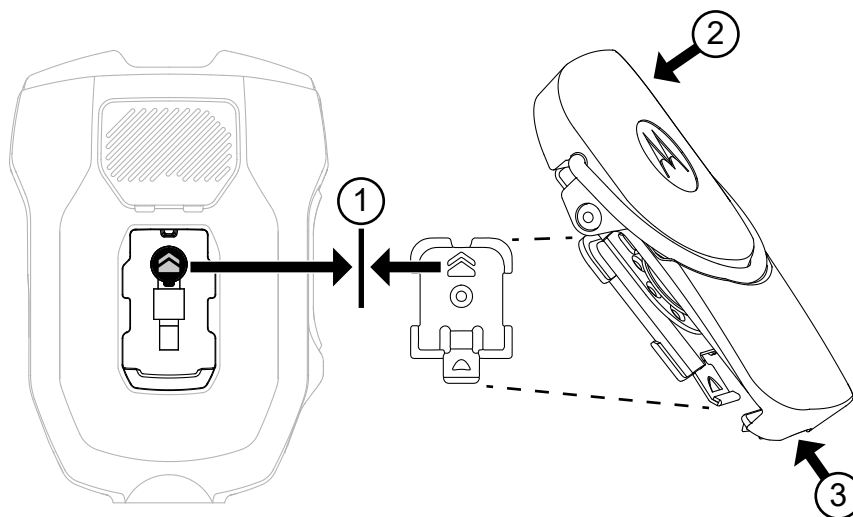
Pour assurer un bon fonctionnement, éteignez la radio avant de brancher le RSM à celle-ci. Le branchement du RSM à la radio désactive le haut-parleur de la radio, mais ne désactive pas le microphone et la fonction PTT.

### 2.2

## Fixation de la boucle de ceinture pivotante

#### Procédure :

1. Alignez les icônes de tête de flèche et les ailes latérales.
2. Appuyez sur le haut de la pince.
3. En même temps, poussez la pince coulissante vers le haut.

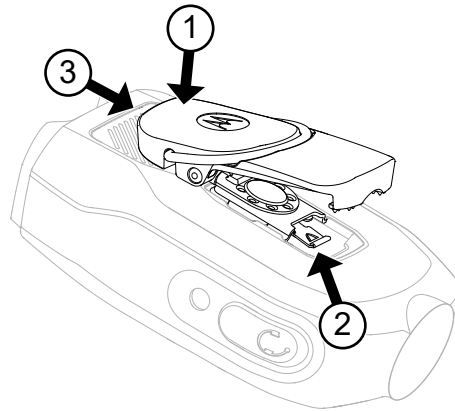


### 2.3

## Retrait de la boucle de ceinture pivotante

#### Procédure :

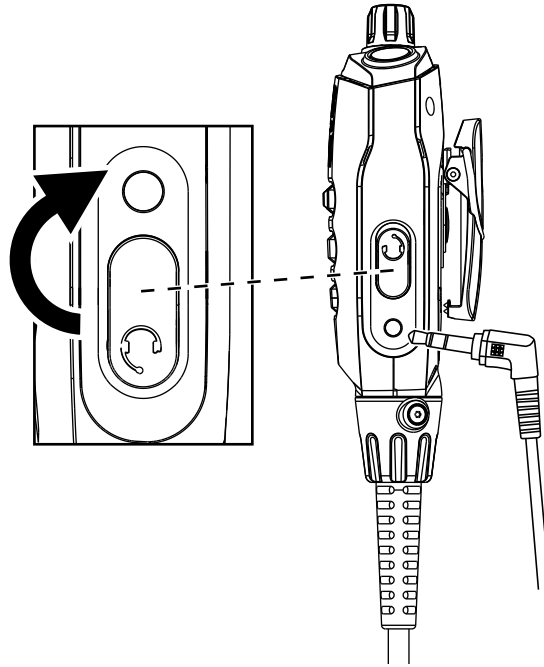
1. Poussez le haut de la pince pour la placer en position la plus élevée.
2. Soulevez le loquet de déverrouillage inférieur.  
Il est recommandé d'utiliser un petit outil à embout plat.
3. Pour retirer la pince, faites-la glisser.



2.4

## Prise audio pour écouteur

Figure 1 : Insertion de la prise audio



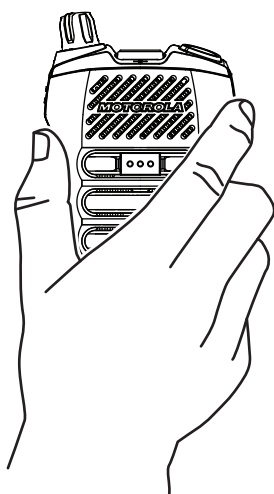
## Chapitre 3

# Pratiques recommandées

Cette section fournit des informations sur les pratiques recommandées du microphone haut-parleur distant (RSM).

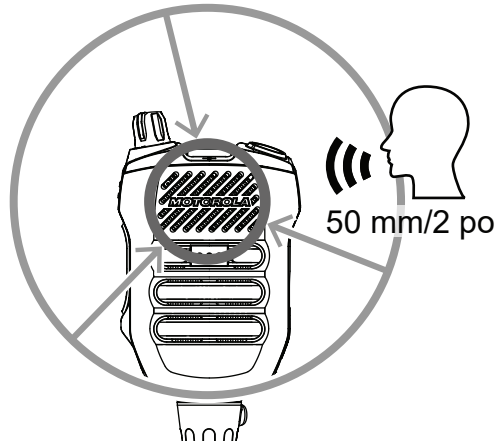
### 3.1

## Tenue de votre RSM



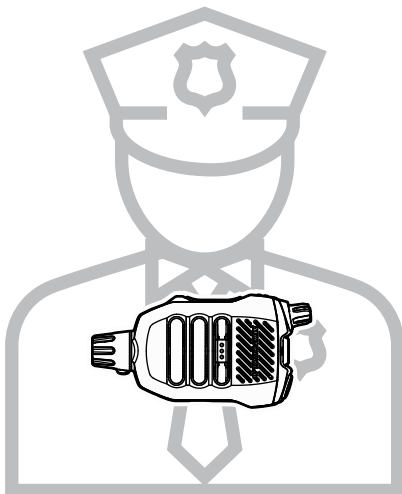
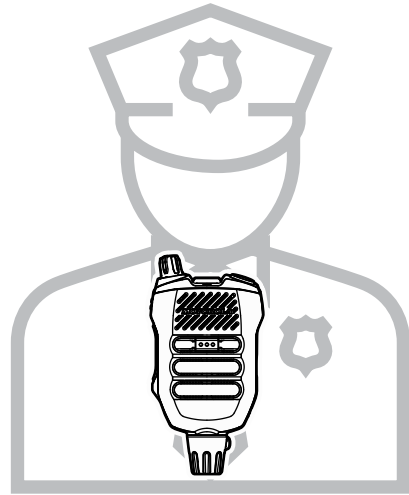
3.2

## Utilisation de votre RSM



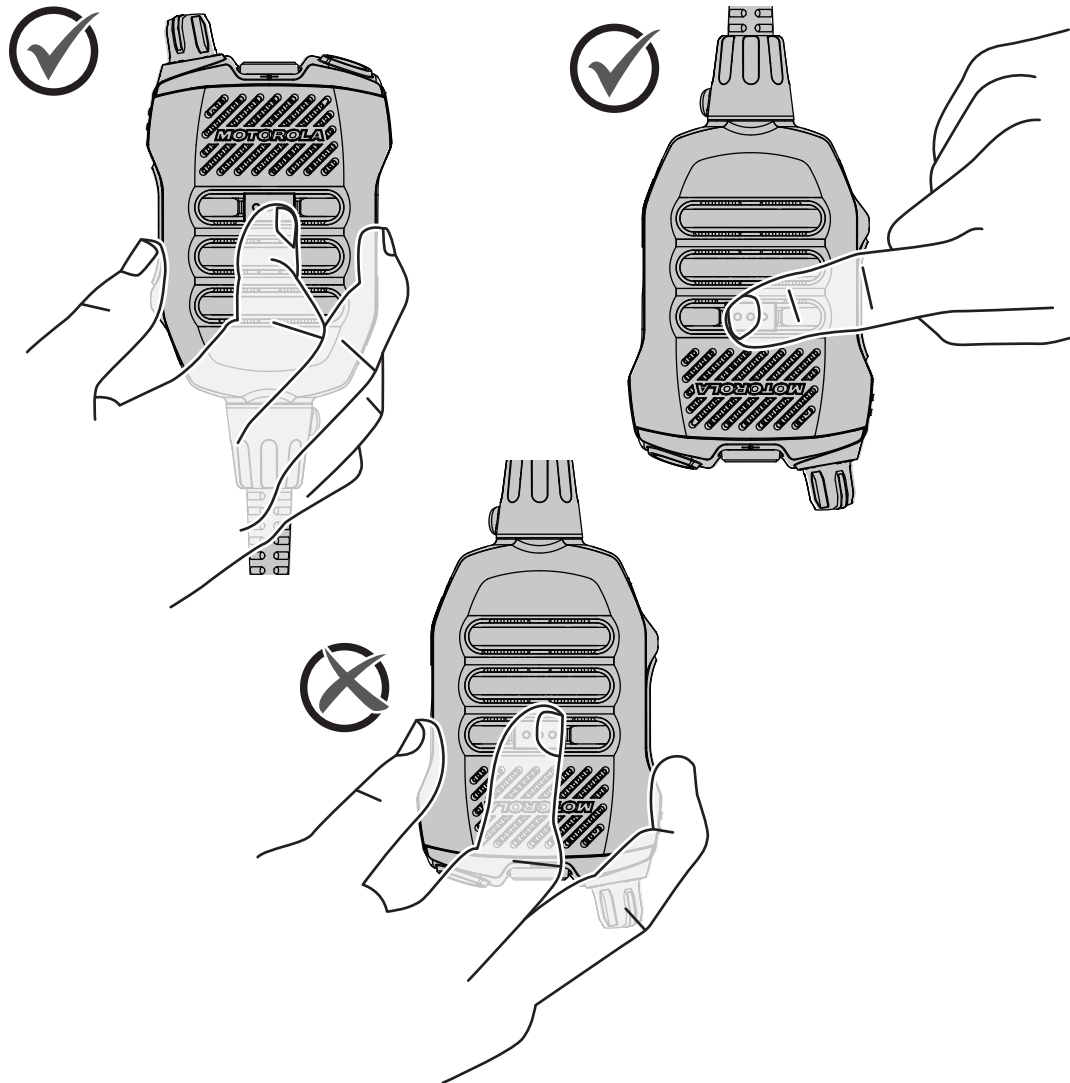
3.3

# Positionnement de votre RSM



### 3.4

## Manipulation appropriée



### 3.5

## Meilleures pratiques d'émission

- Tenez le haut-parleur/microphone distant (RSM) à un ou deux pouces de la bouche.
- Parlez d'une voix forte, claire et contrôlée
- Parlez plus fort que le bruit de fond
- Le cas échéant, secouez le RSM pour en extraire l'eau avant d'émettre



#### REMARQUE :

Consultez le guide d'utilisation de la radio pour plus de détails.

## Chapitre 4

# Procédure de nettoyage

N'utilisez pas de solvant pour nettoyer votre haut-parleur/microphone distant (RSM), la plupart des produits chimiques risquant d'endommager le boîtier et la texture du RSM de façon permanente. Ne submergez pas le RSM dans le détergent. Pour nettoyer les surfaces externes de votre radio, suivez la procédure décrite ci-dessous :

### Procédure :

1. Nettoyez la surface avant du RSM avec un aspirateur. Évitez de recouvrir complètement la grille du haut-parleur et les ouvertures du microphone en même temps avec le suceur.
2. Diluez une cuillerée à thé de détergent doux pour vaisselle dans environ quatre litres d'eau (solution à 0,5 %) pour nettoyer les surfaces externes du RSM.
3. Appliquez la solution avec modération à l'aide d'une brosse non métallique rigide à poils courts en vous assurant qu'aucun surplus de détergent ne se retrouve près des connecteurs, des commandes ou des interstices. Séchez le RSM complètement à l'aide d'un chiffon doux non pelucheux.



## Chapitre 5

# Avis de mises à niveau du micrologiciel du RSM

- La radio vérifie automatiquement la version du micrologiciel du haut-parleur/microphone distant RSM après la mise sous tension.
- Les micrologiciels plus anciens du RSM seront mis à niveau automatiquement par l'intermédiaire de la radio.
- Le processus de mise à niveau du micrologiciel du RSM prend moins de 20 secondes.
- Pendant la mise à jour du micrologiciel, toutes les touches sont désactivées à l'exception de la touche PTT et de la touche d'urgence.
- Les transmissions PTT (Tx) ou les réceptions (Rx) entrantes qui surviennent pendant le processus de mise à niveau interrompent cette dernière. Éteignez et rallumez votre radio pour relancer la mise à niveau du micrologiciel du RSM.

### 5.1

## Exigence du micrologiciel de la radio

XVP RSM n'est compatible qu'avec les versions de micrologiciel radio suivantes et ultérieures :

- Radios APX : R24.00.00
- Radios APX NEXT : R03.20.00
- Radio APX N70 : R01.00.00

# Guía del usuario del micrófono con altavoz remoto XVP IMPRES con supresión de ruido DincX (PMMN4135\_ PMMN4136\_ PMMN4141\_ PMMN4142\_)

**DICIEMBRE DEL 2023**

© 2023 Motorola Solutions, Inc. All Rights Reserved.



MN008918A01-AB

# Información sobre seguridad y aspectos legales

Esta sección contiene información sobre la seguridad y los aspectos legales de este producto.

## Propiedad intelectual y avisos normativos

### Derechos de autor

Entre los productos Motorola Solutions que se describen en esta documentación, se pueden incluir programas informáticos de Motorola Solutions que están protegidos por derechos de autor. Las leyes de Estados Unidos y de otros países reservan para Motorola Solutions ciertos derechos exclusivos sobre los programas informáticos protegidos por derechos de autor. Del mismo modo, los programas informáticos protegidos por derechos de autor de Motorola Solutions incluidos en los productos de Motorola Solutions descritos en este documento no se podrán copiar ni reproducir de ninguna forma sin el expreso consentimiento por escrito de Motorola Solutions.

Ninguna parte de este documento se puede reproducir, transmitir, almacenar en un sistema recuperable ni traducir a ningún idioma ni lenguaje informático, de ninguna forma ni por ningún medio, sin la autorización expresa por escrito de Motorola Solutions, Inc.

### Marcas comerciales

MOTOROLA, MOTO, MOTOROLA SOLUTIONS, and the Stylized M Logo are trademarks or registered trademarks of Motorola Trademark Holdings, LLC and are used under license. All other trademarks are the property of their respective owners.

### Derechos de licencia

No se considerará que la compra de productos Motorola Solutions otorgue, de forma directa, implícita, por exclusión ni de ningún otro modo, una licencia sobre los derechos de autor, las patentes o las solicitudes de patentes de Motorola Solutions, excepto la licencia normal, no exclusiva y libre de regalías de uso que surge por efecto de la ley de la venta de un producto.

### Contenido de código abierto

Este producto puede contener un software de código abierto utilizado con licencia. Consulte los medios de instalación del producto para obtener el contenido completo de atribución y avisos legales de código abierto.

### Directiva de Residuos de Aparatos Eléctricos y Electrónicos (RAEE) de la Unión Europea (UE) y el Reino Unido (RU)



En la directiva de RAEE de la Unión Europea y el Reino Unido, se exige que los productos que se venden en los países de la UE y en el Reino Unido tengan la etiqueta de un bote de basura tachado sobre el producto (o en el paquete en algunos casos). Como se define en la directiva de RAEE, esta etiqueta con un bote de basura tachado indica que los clientes y los usuarios finales en los países de la UE y el Reino Unido no deben desechar equipos ni accesorios eléctricos y electrónicos en la basura doméstica.

Los clientes o los usuarios finales en los países de la UE y en el Reino Unido deben comunicarse con su representante distribuidor de equipos o centro de servicio locales para obtener información acerca del sistema de recolección de residuos de su país.

## Exención de responsabilidad

Tenga presente que determinadas funciones, características y capacidades que se describen en este documento pueden no ser aplicables o no tener licencia para su uso en un sistema específico, o bien ser dependientes de las características de una unidad de suscriptor móvil específico o la configuración de ciertos parámetros. Comuníquese con un representante de Motorola Solutions para obtener más información.

© 2023 Motorola Solutions, Inc. All Rights Reserved

## Marcas de conformidad



# Comuníquese con nosotros

El equipo de Operaciones centralizadas de soporte administrado (CMSO) es el principal contacto para solicitar la asistencia técnica incluida en el contrato de servicio de su organización con Motorola Solutions.

Los clientes con contrato de servicio deben llamar al CMSO en todas las situaciones que se mencionan en la sección "Responsabilidades del cliente" de su contrato, por ejemplo:

- Para confirmar los resultados y el análisis de la solución de problemas antes de tomar medidas.

Su organización recibió números telefónicos de asistencia y otros datos de contacto de acuerdo con su región geográfica y contrato de servicio. Use esa información de contacto para obtener la respuesta más eficaz. Sin embargo, si es necesario, también puede encontrar información de contacto de asistencia general en el sitio web de Motorola Solutions si sigue estos pasos:

1. Ingrese a [motorolasolutions.com](https://motorolasolutions.com) en su navegador.
2. Asegúrese de que el país o la región de su organización aparezcan en la página. Haga clic en el nombre de la región o presiónela para cambiarla.
3. Seleccione "Soporte" en la página [motorolasolutions.com](https://motorolasolutions.com).

## Comentarios

Envíe preguntas y comentarios acerca de la documentación del usuario a [documentation@motorolasolutions.com](mailto:documentation@motorolasolutions.com).

Proporcione los siguientes datos cuando informe sobre un error de documentación:

- El título del documento y el número de pieza
- El número de página o el título de la sección que contiene el error
- Una descripción del error

Motorola Solutions ofrece diversos cursos diseñados para ayudar a conocer el sistema. Para obtener información, vaya a <https://learning.motorolasolutions.com> a fin de ver las ofertas de cursos actuales y las rutas tecnológicas.

# Convenciones de íconos

El conjunto de documentación está diseñado para proporcionarle al lector indicaciones visuales adicionales. Los siguientes íconos gráficos se usan en todo el conjunto de documentación.



**PELIGRO:**

La palabra de señal PELIGRO con el ícono de seguridad asociado indica información que, si se ignora, provocará la muerte o heridas graves.



**ADVERTENCIA:**

La palabra de señal ADVERTENCIA con el ícono de seguridad asociado indica información que, si se ignora, puede provocar la muerte, heridas graves o un daño importante al producto.



**PRECAUCIÓN:**

La palabra de señal PRECAUCIÓN con el ícono de seguridad asociado indica información que, si se ignora, podría provocar heridas leves o moderadas, o un daño grave al producto.

**PRECAUCIÓN:**

La palabra de señal PRECAUCIÓN puede usarse sin el ícono de seguridad para indicar posibles daños o heridas no relacionados con el producto.



**IMPORTANTE:**

Las declaraciones identificadas con la palabra IMPORTANTE contienen información que es fundamental para el tema tratado, pero que no se considera una PRECAUCIÓN ni una ADVERTENCIA. No hay ningún nivel de advertencia asociado con la declaración IMPORTANTE.



**NOTA:**

El AVISO contiene información más importante que el texto circundante, como excepciones o condiciones previas. En los avisos, también se dirige al lector a información adicional, se le recuerda cómo completar una acción (por ejemplo, cuando no es parte del procedimiento actual) o se le indica dónde está algo en la pantalla. No hay ningún nivel de advertencia asociado con un aviso.

# Prefacio

## Guía de seguridad del producto y la exposición a energía de radiofrecuencia de los radios portátiles de dos vías

### **PRECAUCIÓN:**

Antes de usar este producto, lea esta guía que contiene información de interés sobre energía de RF e instrucciones de funcionamiento.

Para obtener información sobre la certificación de seguridad intrínseca o no inflamable, consulte el manual de aprobación que se incluye con el radio.

## Protección acústica

La exposición a ruidos fuertes de cualquier fuente durante períodos prolongados podría afectar la audición de manera temporal o permanente. Cuanto más alto esté el volumen del radio, más rápido se verá afectada la audición. En ocasiones, el daño a la audición provocado por ruidos fuertes es indetectable en un principio y puede tener un efecto acumulativo. Para proteger la audición, realice las siguientes acciones:

- Utilice el volumen más bajo que necesite para hacer su trabajo.
- Aumente el volumen solo si se encuentra en un ambiente ruidoso.
- Reduzca el volumen antes de usar los auriculares o los audífonos.
- Restrinja el tiempo durante el cual usa los auriculares o audífonos con un volumen alto.
- Cuando use el radio sin los auriculares o audífonos, no ponga el altavoz del radio directamente en la oreja.
- Si experimenta molestias para escuchar o zumbido en los oídos, o no escucha bien cuando le hablan, debe dejar de escuchar el radio a través del audífono o auricular y pedirle a un médico que examine su audición. Para cambiar el nivel de volumen, consulte el Folleto de seguridad del producto de radio o el Software de programación del cliente (CPS) a fin de obtener información sobre la configuración del kit de vigilancia con volumen extrafuerte (xL).

## Garantía

Motorola Solutions ofrece garantía para su RSM. Consulte a su distribuidor o punto de venta de Motorola Solutions para obtener información detallada.



### **NOTA:**

Se anulará la garantía en caso de que el cliente reemplace cualquiera de las piezas por otras distintas de las que aparecen en la lista de piezas de repuesto.

# Contenido

|   |           |
|---|-----------|
| <b>Información sobre seguridad y aspectos legales.....</b>  | <b>2</b>  |
| Propiedad intelectual y avisos normativos.....  | 2         |
| Marcas de conformidad.....  | 3         |
| <b>Comuníquese con nosotros.....</b>  | <b>4</b>  |
| <b>Convenciones de íconos.....</b>  | <b>5</b>  |
| <b>Prefacio.....</b>  | <b>6</b>  |
| Guía de seguridad del producto y la exposición a energía de radiofrecuencia de los radios portátiles de dos vías..... | 6         |
| Protección acústica.....  | 6         |
| Garantía.....   | 6         |
| <b>Capítulo 1: Descripción general del producto.....</b>  | <b>8</b>  |
| 1.1 Piezas de repuesto.....   | 10        |
| 1.1.1 Reemplazo del cable en espiral.....   | 12        |
| <b>Capítulo 2: Instrucciones de funcionamiento.....</b>   | <b>13</b> |
| 2.1 Conexión del micrófono con altavoz remoto (RSM) al radio.....   | 13        |
| 2.2 Montaje del pasador giratorio para cinturón.....  | 13        |
| 2.3 Desmontaje del pasador giratorio para cinturón.....   | 14        |
| 2.4 Conector de audio del auricular.....  | 15        |
| <b>Capítulo 3: Prácticas recomendadas.....</b>  | <b>16</b> |
| 3.1 Sostener el RSM.....  | 16        |
| 3.2 Uso del RSM.....  | 17        |
| 3.3 Posicionamiento del RSM.....  | 18        |
| 3.4 Manipulación adecuada.....  | 19        |
| 3.5 Prácticas recomendadas de transmisión.....  | 19        |
| <b>Capítulo 4: Procedimiento de limpieza.....</b>   | <b>20</b> |
| <b>Capítulo 5: Aviso sobre las actualizaciones de firmware del RSM.....</b>   | <b>21</b> |
| 5.1 Requisito de firmware del radio.....  | 21        |



## Capítulo 1

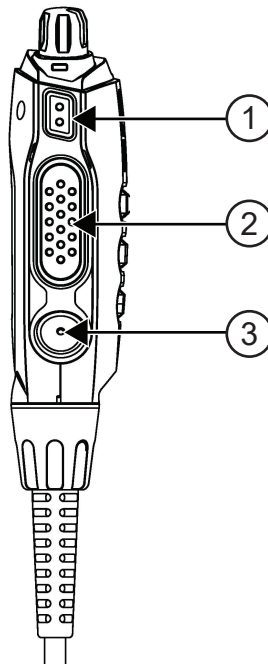
# Descripción general del producto

## Modelos de micrófono con altavoz remoto (RSM)


### Mesa 1: Modelos de RSM

| Número de pieza | Descripción              | Cable en espiral de reemplazo | Radios compatibles |
|-----------------|--------------------------|-------------------------------|--------------------|
| PMMN4135_       | RSM con perilla de canal | PMKN4260_                     | APX, APX NEXT      |
|                 |                          | PMKN4263_                     | APX N70            |
| PMMN4136_       | RSM sin perilla de canal | PMKN4260_                     | APX, APX NEXT      |
|                 |                          | PMKN4263_                     | APX N70            |
| PMMN4141_       | RSM con perilla de canal | PMKN4260_                     | APX, APX NEXT      |
|                 |                          | PMKN4263_                     | APX N70            |
| PMMN4142_       | RSM sin perilla de canal | PMKN4260_                     | APX, APX NEXT      |
|                 |                          | PMKN4263_                     | APX N70            |

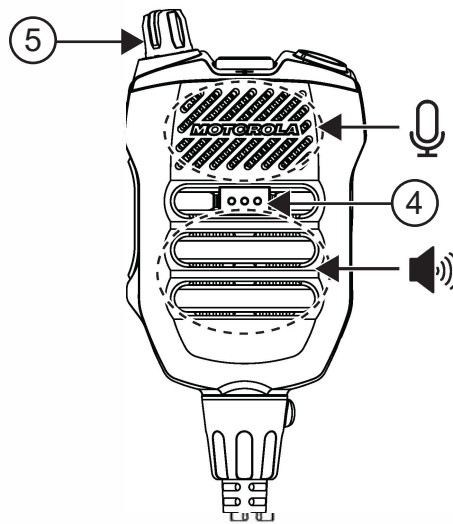
## Botón PTT y botón programable




| Número | Descripción |
|--------|-------------|
| 1      | 2 puntos    |
| 2      | PTT         |
| 3      | 1 punto     |

 **NOTA:** Los botones programables con uno, dos y tres puntos se pueden configurar para otras funciones distintas de la función de los mismos botones en el radio. Consulte el manual del usuario del radio para obtener más información.

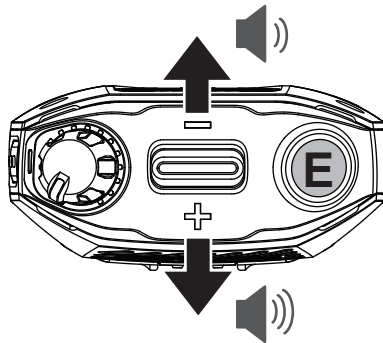
## Altavoz y micrófono



| Número | Descripción      |
|--------|------------------|
| 4      | 3 puntos         |
| 5      | Perilla de canal |

 **NOTA:** Solo se aplica a PMMN4135\_ y PMMN4141\_.




## Aumento y disminución del volumen



### 1.1

## Piezas de repuesto

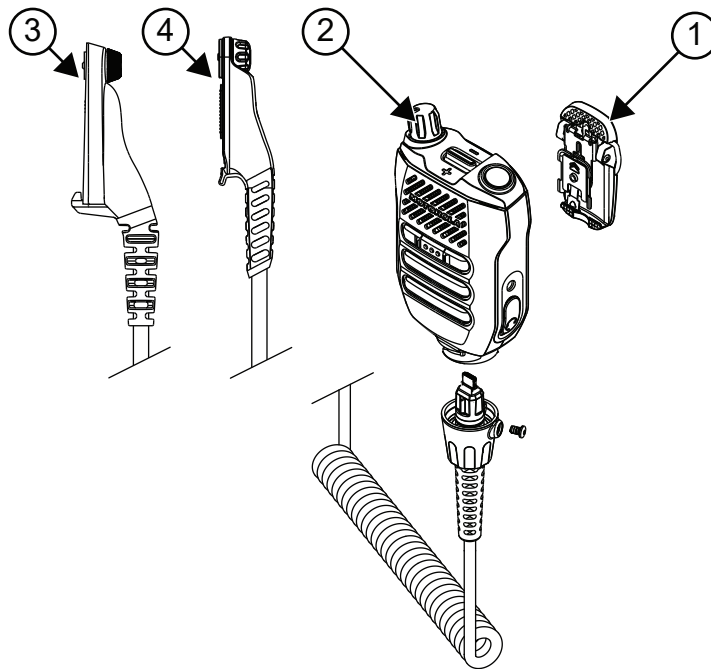
### Mesa 2: Piezas de repuesto

| Elemento | Número de pieza | Descripción   |
|----------|-----------------|---|
| 1        | PMLN8312_       | Clip giratorio de bajo perfil con anillo D  |
| 2        | PMLN8313_       | Perilla de canal<br><br> <b>NOTA:</b><br>Solo se aplica a PMMN4135_ y PMMN4141_.                              |
| 3        | PMKN4260_       | Cable en espiral<br><br> <b>NOTA:</b><br>Compatible con el conector lateral de accesorios de APX y APX Next. |
| 4        | PMKN4263_       | Cable en espiral<br><br> <b>NOTA:</b><br>Compatible con el conector lateral de accesorios de APX N70.        |



#### **NOTA:**

Se permite cambiar el cable entre PMKN4260\_ y PMKN4263\_ en el cabezal del micrófono con altavoz remoto (RSM), pero la información de la etiqueta de la carcasa posterior no cambiará. Consulte el manual de UL del radio correspondiente para conocer los accesorios compatibles.



**NOTA:**

Para evitar problemas de funcionamiento, no conecte cables incompatibles.

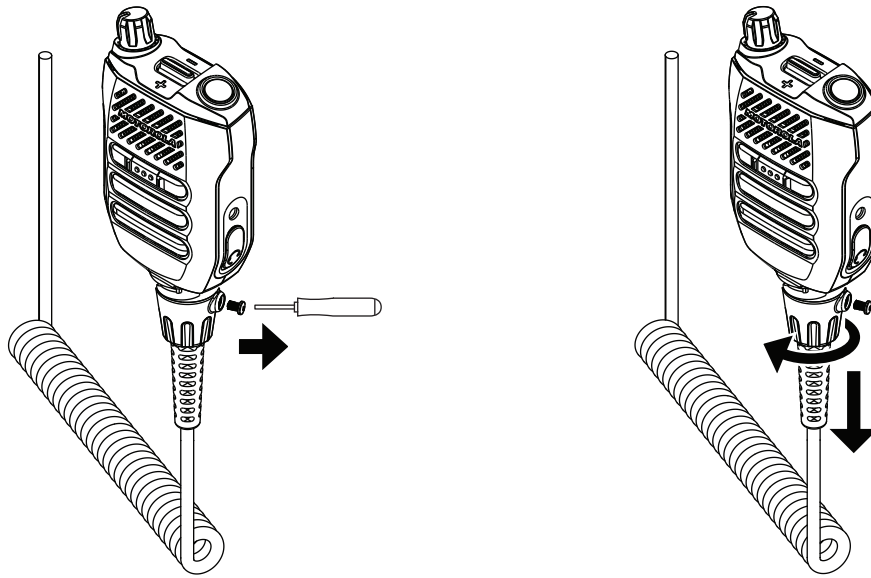
## Accesorios opcionales

### Mesa 3: Accesorios opcionales

| Número de pieza | Descripción  |
|-----------------|--|
| PMLN8120_       | Auricular de audio fuerte y solo recepción con tubo transparente y conector de 3,5 mm      |
| PMLN8650_       | Auricular único N-ear 360 Flexo™ Dynamic con Braided Fiber Cloth™                          |
| PMLN8652_       | Auricular de audio extrafuerte y solo recepción con tubo transparente y conector de 3,5 mm |

1.1.1

## Reemplazo del cable en espiral



## Capítulo 2

# Instrucciones de funcionamiento

En esta sección, se proporcionan pautas sobre cómo utilizar el micrófono con altavoz remoto.

### 2.1

## Conexión del micrófono con altavoz remoto (RSM) al radio

#### Requisitos:

Apague el radio.

#### Procedimiento:

1. Enchufe el conector del RSM al conector lateral del radio.
2. Fije el tornillo de conexión hacia la derecha hasta que quede firme.



#### NOTA:

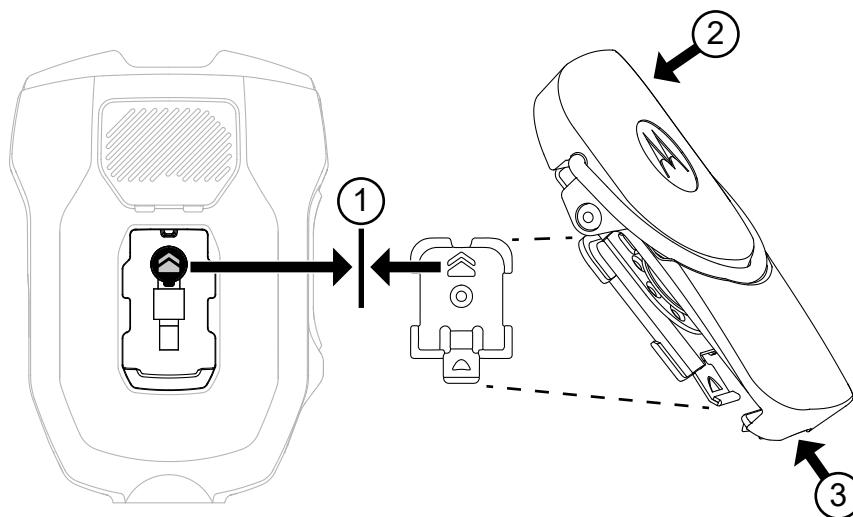
Para garantizar un correcto funcionamiento, apague el radio antes de conectar el RSM al radio. Conectar el RSM al radio desactiva el altavoz del radio, pero no desactiva el micrófono ni el botón PTT del radio.

### 2.2

## Montaje del pasador giratorio para cinturón

#### Procedimiento:

1. Haga coincidir los iconos de punta de flecha y las alas laterales, y alinéelos.
2. Empuje hacia abajo la parte superior del clip.
3. Simultáneamente, empuje el clip deslizante hacia arriba.

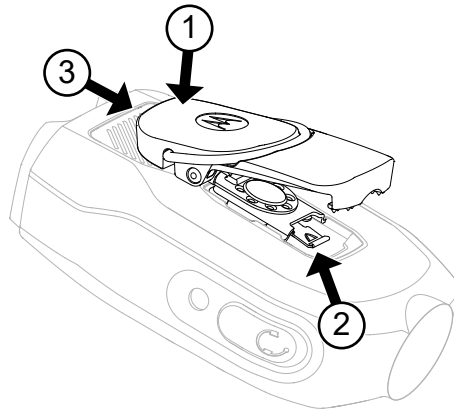


### 2.3

## Desmontaje del pasador giratorio para cinturón

#### Procedimiento:

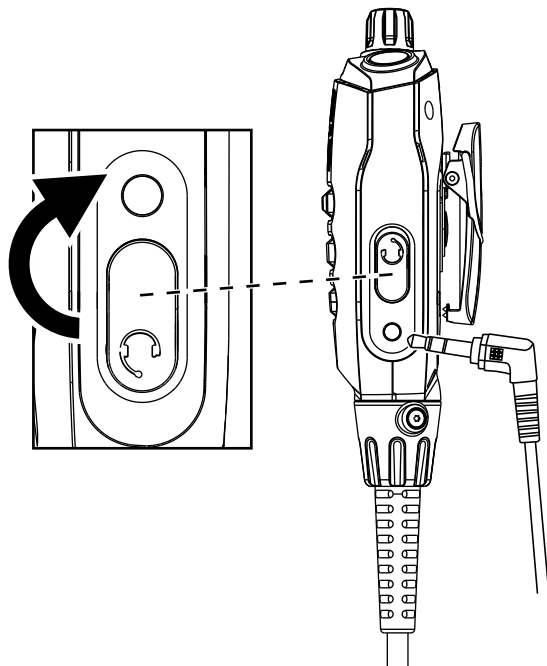
1. Presione la parte superior del clip para levantarlo hasta la posición más alta.
2. Levante el pestillo de liberación inferior.  
Se recomienda utilizar la herramienta de punta plana pequeña.
3. Para quitar el clip, deslícelo.



2.4

## Conector de audio del auricular

Figura 1: Inserción del conector de audio





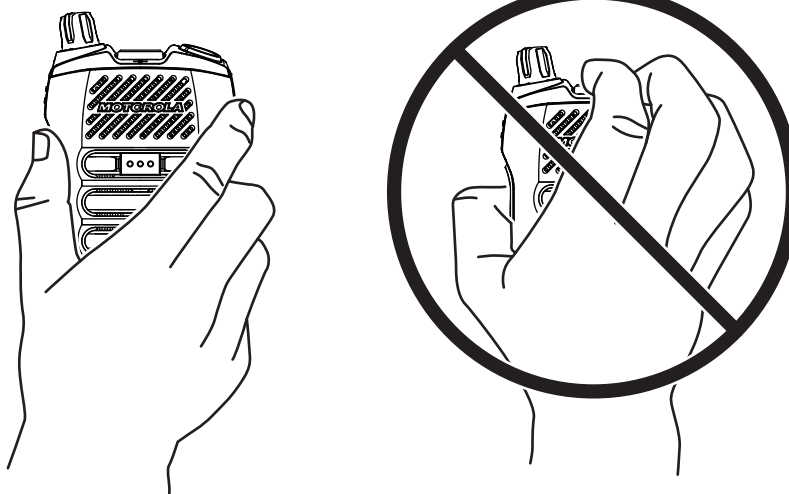
## Capítulo 3

# Prácticas recomendadas

En esta sección, se proporciona información sobre las prácticas recomendadas con respecto al micrófono con altavoz remoto (RSM).

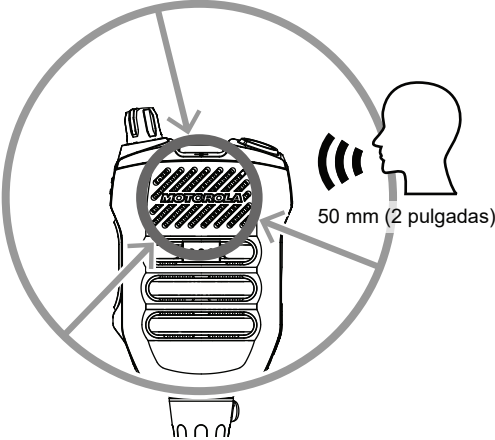
### 3.1

## Sostener el RSM



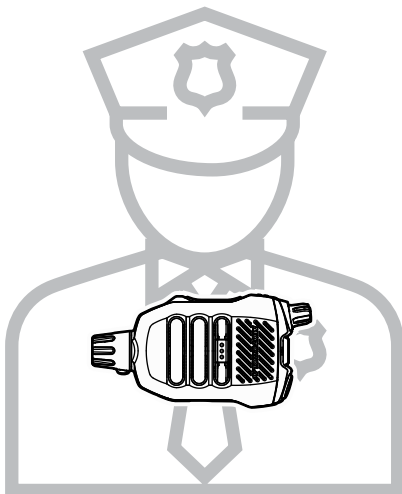
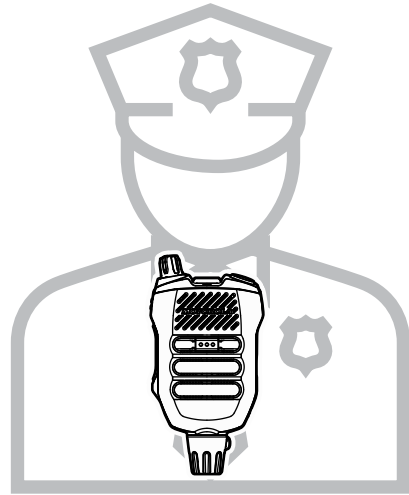
3.2

# Uso del RSM



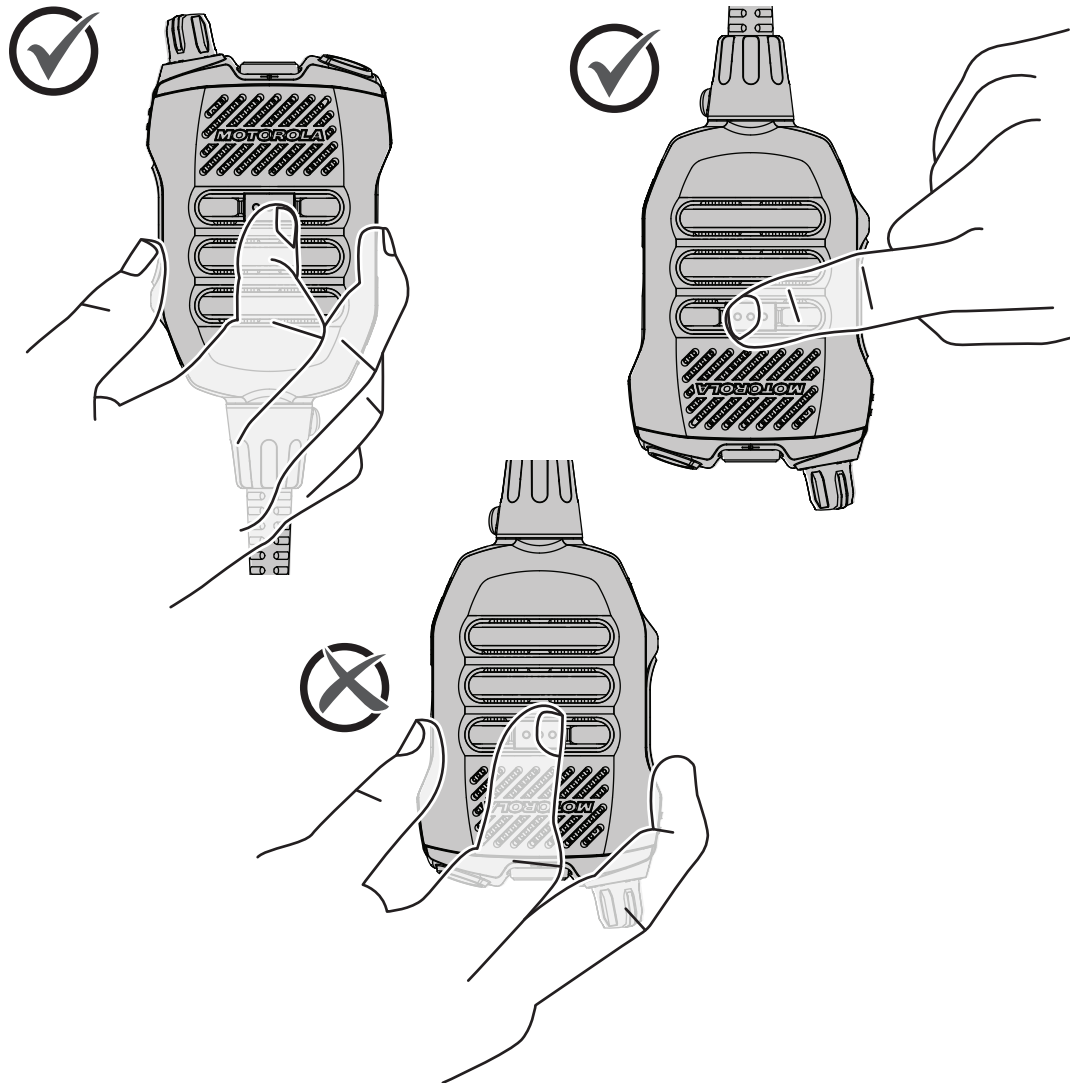
3.3

# Posicionamiento del RSM



### 3.4

## Manipulación adecuada



### 3.5

## Prácticas recomendadas de transmisión

- Sostenga el micrófono con altavoz remoto (RSM) a una distancia de 3 a 5 cm (1 a 2 pulgadas) de la boca.
- Hable con voz alta, clara y controlada
- Hable más alto que el ruido de fondo
- Cuando sea posible, agite el RSM para quitar el agua antes de iniciar la transmisión



**NOTA:**

Consulte el manual de usuario del radio para obtener más detalles.

## Capítulo 4

# Procedimiento de limpieza

No utilice solventes para limpiar el micrófono con altavoz remoto (RSM), ya que la mayoría de los productos químicos podrían dañar de manera permanente la carcasa y la textura del RSM. No sumerja el RSM en la solución de detergente. Para limpiar las superficies externas del radio, realice el siguiente procedimiento:

**Procedimiento:**

1. Aspire la superficie frontal del RSM. Evite cubrir por completo todas las aberturas de la rejilla del altavoz y del micrófono con la boquilla al mismo tiempo.
2. Mezcle una cucharadita de detergente suave para vajilla con 3,8 litros (un galón) de agua (solución al 0,5 %) para limpiar la superficie externa del RSM.
3. Aplique la solución en pequeñas cantidades con un cepillo rígido de cerdas cortas que no sea de metal, asegurándose de que no queden restos de detergente cerca de los conectores, los controles o las hendiduras. Seque cuidadosamente el RSM con un paño suave y libre de pelusas.

## Capítulo 5

# Aviso sobre las actualizaciones de firmware del RSM

- El radio comprueba automáticamente la versión de firmware del micrófono con altavoz remoto (RSM) después del encendido.
- El firmware del RSM más antiguo se actualiza automáticamente a través del radio.
- El proceso de actualización de firmware del RSM tarda menos de 20 segundos en completarse.
- Durante la actualización del firmware, ninguno de los botones funciona, excepto el botón de PTT y el botón de emergencia.
- La actualización de firmware del RSM se cancela debido a la transmisión (Tx) de PTT o la recepción (Rx) entrante durante el proceso de actualización. Apague el radio y vuelva a encenderlo para reiniciar la actualización de firmware del RSM.

### 5.1

## Requisito de firmware del radio

El RSM XVP solo es compatible con la siguiente versión de firmware del radio y versiones posteriores:

- Radios APX: R24.00.00
- Radios APX Next: R03.20.00
- Radios APX N70: R01.00.00

# Guia do usuário do microfone alto-falante remoto XPV IMPRES com supressão de ruído DincX (PMMN4135\_ PMMN4136\_ PMMN4141\_ PMMN4142\_)

**DEZEMBRO DE 2023**

© 2023 Motorola Solutions, Inc. All Rights Reserved.



MN008918A01-AB

# Informações jurídicas e de segurança

Esta seção traz informações jurídicas e de segurança relacionadas a este produto.

## Propriedade intelectual e comunicados regulatórios

### Direitos autorais

Os produtos da Motorola Solutions descritos neste documento podem incluir programas de computador da Motorola Solutions protegidos por direitos autorais. As leis dos Estados Unidos e de outros países garantem determinados direitos exclusivos da Motorola Solutions que envolvem programas de computador protegidos por direitos autorais. Sendo assim, nenhum programa de computador protegido por direitos autorais da Motorola Solutions incluído nos produtos da Motorola Solutions descritos neste documento pode ser copiado ou reproduzido, de qualquer forma, sem permissão expressa por escrito da Motorola Solutions.

Nenhuma parte deste documento pode ser reproduzida, transmitida, armazenada em sistema de recuperação ou traduzida para qualquer idioma ou linguagem de computador, de forma nenhuma nem por nenhum meio, sem permissão prévia por escrito da Motorola Solutions, Inc.

### Marcas registradas

MOTOROLA, MOTO, MOTOROLA SOLUTIONS, and the Stylized M Logo are trademarks or registered trademarks of Motorola Trademark Holdings, LLC and are used under license. All other trademarks are the property of their respective owners.

### Direitos de licença

A aquisição de produtos da Motorola Solutions não pressupõe garantia, explícita ou implícita, por impedimento ou qualquer outra forma, de qualquer licença de direito autoral, patente ou aplicação de patente da Motorola Solutions, exceto a licença de uso regular não exclusiva, isenta de exploração de patente concedida por força de lei na venda de um produto.

### Conteúdo de código aberto

Este produto pode conter software de código aberto usado conforme licença. Consulte na mídia de instalação do produto o conteúdo completo sobre Atribuições e avisos legais de código aberto.

### Diretiva WEEE (Waste of Electrical and Electronic Equipment, resíduos de equipamentos elétricos e eletrônicos) da UE (União Europeia) e do Reino Unido



A diretiva WEEE da União Europeia e a regulamentação WEEE do Reino Unido exigem que os produtos vendidos nos países da União Europeia e do Reino Unido exibam a etiqueta de lixeira cruzada no produto (ou na embalagem, em alguns casos). Conforme definido pela diretiva WEEE, essa etiqueta de lixeira cruzada indica que os clientes e os usuários finais nos países da União Europeia e do Reino Unido não podem descartar equipamentos ou acessórios elétricos ou eletrônicos em lixo doméstico.

Os clientes ou usuários finais dos países da União Europeia e do Reino Unido devem entrar em contato com o representante do fornecedor do equipamento ou o centro de assistência local para obter informações sobre o sistema de coleta de lixo em seu país.



## Isenção de responsabilidade

Observe que alguns recursos e capacidades descritos neste documento podem não ser pertinentes ou licenciados para uso em um sistema específico ou podem depender das características de uma determinada unidade de rádio móvel ou da configuração de determinados parâmetros. Consulte seu contato da Motorola Solutions para mais informações.

© 2023 Motorola Solutions, Inc. All Rights Reserved

## Marcações de conformidade



# Fale conosco

O CMSO (Centralized Managed Support Operations, centro de operações de suporte técnico gerenciado) é o principal contato para suporte técnico incluído no contrato de serviço da sua organização com a Motorola Solutions.

Clientes do contrato de serviço devem fazer uma chamada para o CMSO em todas as situações listadas na seção Responsabilidades do cliente do contrato, tais como:

- Para confirmar os resultados e as análises da solução de problemas antes de agir

Sua organização recebeu números de telefone de suporte e outras informações de contato apropriadas para sua região geográfica e seu contrato de serviço. Use estas informações de contato para obter a resposta mais eficiente. No entanto, se necessário, também é possível encontrar informações gerais de contato de suporte no site da Motorola Solutions seguindo estas etapas:

1. Digite [motorolasolutions.com](https://motorolasolutions.com) no navegador.
2. Verifique se o país ou a região da organização é exibido na página. Clique ou toque no nome da região para alterá-lo, caso necessário.
3. Na página [motorolasolutions.com](https://motorolasolutions.com), selecione “Suporte”.

## Comments

Envie as perguntas e os comentários sobre a documentação do usuário para [documentation@motorolasolutions.com](mailto:documentation@motorolasolutions.com).

Dê as seguintes informações ao relatar um erro na documentação:

- Título do documento e número da peça
- Número da página ou título da seção com o erro
- Descrição do erro

A Motorola Solutions oferece diversos cursos projetados para auxiliar na aprendizagem do sistema. Para informações, acesse <https://learning.motorolasolutions.com> e veja as ofertas de cursos atuais e os caminhos de tecnologia.

# Convenções de ícones

O conjunto de documentação foi criado para oferecer mais dicas visuais ao leitor. Os ícones gráficos a seguir são usados em todo o conjunto de documentação.



**PERIGO:**

A palavra de sinalização PERIGO com o respectivo ícone de segurança indica informações que, se desconsideradas, podem resultar em morte ou ferimentos graves.



**AVISO:**

A palavra de sinalização AVISO com o respectivo ícone de segurança indica informações que, se desconsideradas, podem resultar em morte, ferimentos graves ou, ainda, danos graves ao produto.



**ATENÇÃO:**

A palavra de sinalização CUIDADO com o respectivo ícone de segurança indica informações que, se desconsideradas, podem causar ferimentos de gravidade menor ou moderada ou, ainda, danos graves ao produto.

**ATENÇÃO:**

A palavra de sinalização CUIDADO poderá ser usada sem o ícone de segurança para indicar possíveis danos ou riscos de ferimento não relacionados ao produto.



**IMPORTANTE:**

Declarações IMPORTANTES contêm informações essenciais para o assunto em questão, mas que não são classificadas com um termo ATENÇÃO ou AVISO. Não há nenhum nível de aviso associado a uma declaração classificada como IMPORTANTE.



**OBSERVAÇÃO:**

OBSERVAÇÃO contém informações mais importantes do que o texto ao redor, como exceções ou precondições. Esse ícone também indica outros locais para o leitor consultar informações adicionais, lembra ao leitor sobre como concluir uma ação (quando a ação não faz parte do procedimento atual, por exemplo) ou informa o leitor sobre a localização de algum item na tela. Não há nenhum nível de aviso associado a uma observação.

# Prefácio

## Guia de exposição à energia de RF e segurança do produto para rádios bidirecionais portáteis

### **ATENÇÃO:**

Antes de usar este produto, leia este guia, que contém informações e instruções de operação de exposição à energia de RF.

Para informações sobre certificação de segurança intrínseca e/ou não inflamável, consulte o manual de aprovação que acompanha o rádio.

## Segurança acústica

A exposição a ruídos muito altos de qualquer origem por longos períodos pode prejudicar sua audição temporária ou permanentemente. Quanto mais alto for o volume do rádio, mais rapidamente sua audição poderá ser prejudicada. Às vezes, danos auditivos causados por ruídos fortes não são detectados em sua fase inicial e podem ter efeito cumulativo. Para proteger sua audição:

- Use o volume mais baixo possível para a execução da sua tarefa.
- Aumente o volume somente se estiver em ambientes barulhentos.
- Abaixar o volume antes de colocar um headset ou fone de ouvido.
- Limite o tempo de uso de headsets ou fones de ouvido com volume alto.
- Ao usar o rádio sem headset ou fone de ouvido, não coloque o alto-falante do rádio em contato direto com seus ouvidos.
- Se sentir algum desconforto auditivo, zumbidos ou sons abafados, pare de ouvir o rádio através do headset ou fone de ouvido e consulte um médico. Para alterar o nível de volume, consulte o folheto de segurança do produto de rádio ou o Software de programação do cliente (CPS) para as configurações do kit de vigilância de som xL (Extra Loud, muito alto).

## Garantia

A Motorola Solutions oferece garantia para seu RSM. Consulte seu revendedor ou um ponto de venda da Motorola Solutions para obter informações detalhadas.



### **OBSERVAÇÃO:**

Caso o cliente substitua qualquer peça por alguma que não conste na lista de peças de substituição, a garantia será invalidada.

# Índice

|   |           |
|---|-----------|
| <b>Informações jurídicas e de segurança.....</b>  | <b>2</b>  |
| Propriedade intelectual e comunicados regulatórios.....   | 2         |
| Marcações de conformidade.....  | 3         |
| <b>Fale conosco.....</b>  | <b>4</b>  |
| <b>Convenções de ícones.....</b>  | <b>5</b>  |
| <b>Prefácio.....</b>  | <b>6</b>  |
| Guia de exposição à energia de RF e segurança do produto para rádios bidirecionais portáteis..... | 6         |
| Segurança acústica.....   | 6         |
| Garantia.....   | 6         |
| <b>Capítulo 1: Visão geral do produto.....</b>  | <b>8</b>  |
| 1.1 Peças de reposição.....   | 10        |
| 1.1.1 Substituir o cabo espiral.....  | 12        |
| <b>Capítulo 2: Instruções operacionais.....</b>   | <b>13</b> |
| 2.1 Conectar o Microfone com alto-falante remoto (RSM) ao rádio.....                              | 13        |
| 2.2 Prender a alça de cinto giratória.....  | 13        |
| 2.3 Retirar a alça de cinto giratória.....  | 14        |
| 2.4 Entrada de áudio do fone de ouvido.....   | 15        |
| <b>Capítulo 3: Práticas recomendadas.....</b>   | <b>16</b> |
| 3.1 Como segurar o RSM.....   | 16        |
| 3.2 Como usar o RSM.....  | 17        |
| 3.3 Posicionamento do RSM.....  | 18        |
| 3.4 Manuseio adequado.....  | 19        |
| 3.5 Melhores práticas de transmissão.....   | 19        |
| <b>Capítulo 4: Procedimento de limpeza.....</b>   | <b>20</b> |
| <b>Capítulo 5: Aviso de atualizações do firmware do RSM.....</b>                                  | <b>21</b> |
| 5.1 Requisito de firmware do rádio.....   | 21        |

## Capítulo 1

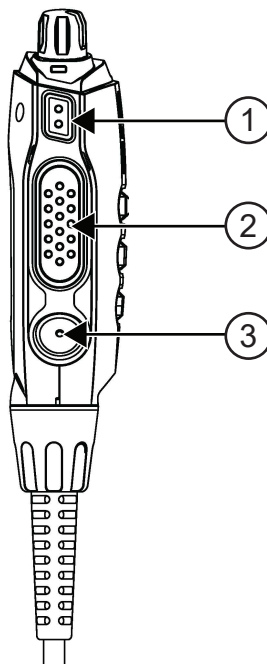
# Visão geral do produto

## Modelos de RSM (Remote Speaker Microphone, microfone alto-falante remoto)

Acima 1: Modelos de RSM

| Número da peça | Descrição                 | Cabo espiral de substituição | Rádios compatíveis |
|----------------|---------------------------|------------------------------|--------------------|
| PMMN4135_      | RSM do botão de canal     | PMKN4260_                    | APX, APX NEXT      |
|                |                           | PMKN4263_                    | APX N70            |
| PMMN4136_      | Sem RSM do botão de canal | PMKN4260_                    | APX, APX NEXT      |
|                |                           | PMKN4263_                    | APX N70            |
| PMMN4141_      | RSM do botão de canal     | PMKN4260_                    | APX, APX NEXT      |
|                |                           | PMKN4263_                    | APX N70            |
| PMMN4142_      | Sem RSM do botão de canal | PMKN4260_                    | APX, APX NEXT      |
|                |                           | PMKN4263_                    | APX N70            |

## Botões PTT e programáveis



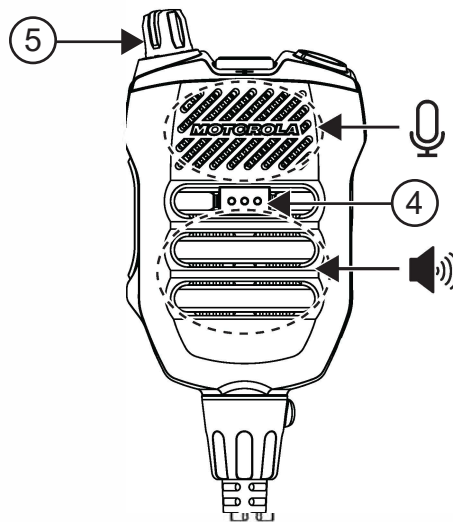
| Número | Descrição   |
|--------|-------------|
| 1      | Dois pontos |
| 2      | PTT         |
| 3      | Um ponto    |




**OBSERVAÇÃO:**

Os botões programáveis de um ponto, dois pontos e três pontos podem ser configurados para outras funções diferentes dos mesmos botões no rádio. Consulte o manual do usuário do rádio para obter mais informações.

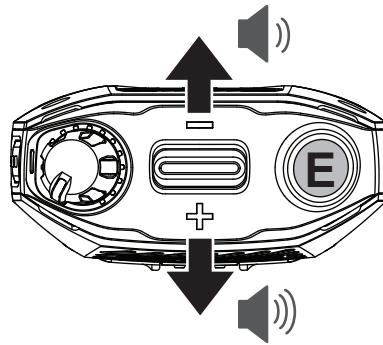
**Alto-falante e microfone**



| Número | Descrição         |
|--------|-------------------|
| 4      | Três pontos       |
| 5      | Seletor de canais |

 **OBSERVAÇÃO:**  
Aplicável apenas a PMMN4135\_ e PMMN4141\_.




## Aumentar e diminuir o volume



### 1.1

## Peças de reposição

### Acima 2: Peças de reposição

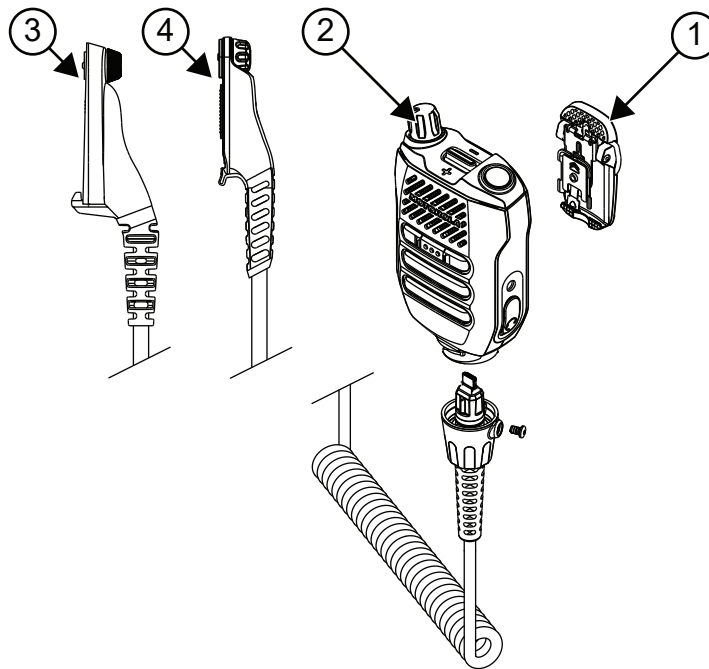
| Item | Número da peça | Descrição  |
|------|----------------|--|
| 1    | PMLN8312_      | Clipe giratório de perfil baixo com anel em D  |
| 2    | PMLN8313_      | Seletor de canais<br> <b>OBSERVAÇÃO:</b><br>Aplicável apenas a PMMN4135_ e PMMN4141_.                        |
| 3    | PMKN4260_      | Cabo espiral<br> <b>OBSERVAÇÃO:</b><br>Compatível com o conector lateral de acessório do APX e do APX Next. |
| 4    | PMKN4263_      | Cabo espiral<br> <b>OBSERVAÇÃO:</b><br>Compatível com o conector lateral de acessório do APX N70.           |



#### **OBSERVAÇÃO:**

A troca do cabo entre PMKN4260\_ e PMKN4263\_ na cabeça do RSM (Remote Speaker Microphone, microfone alto-falante remoto) é permitida, mas as informações da etiqueta da carcaça traseira não mudam. Consulte o respectivo manual UL do rádio para acessórios compatíveis.





**OBSERVAÇÃO:**

Para evitar problemas de funcionamento, não conecte cabos incompatíveis.

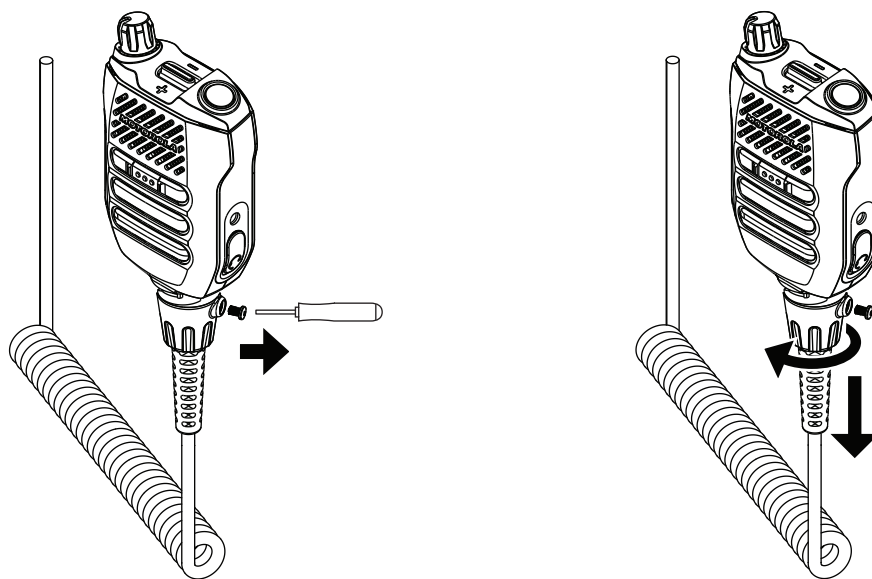
## Acessórios opcionais

### Acima 3: Acessórios opcionais

| Número da peça | Descrição   |
|----------------|---|
| PMLN8120_      | Fone de ouvido para áudio alto somente receptor com tubo translúcido, entrada de 3,5 mm       |
| PMLN8650_      | Fone de ouvido único de tecido de fibra trançada dinâmico™ N-ear 360 Flexo™                   |
| PMLN8652_      | Fone de ouvido para áudio extra alto somente receptor com tubo translúcido, entrada de 3,5 mm |

### 1.1.1

## Substituir o cabo espiral



## Capítulo 2

# Instruções operacionais

Esta seção oferece orientações sobre como usar o microfone com alto-falante remoto.

### 2.1

## Conectar o Microfone com alto-falante remoto (RSM) ao rádio

#### Pré-requisitos:

Desligue o rádio.

#### Procedimento:

1. Encaixe o conector RSM no conector lateral do rádio.
2. Prenda o parafuso de conexão no sentido horário até apertá-lo.



#### OBSERVAÇÃO:

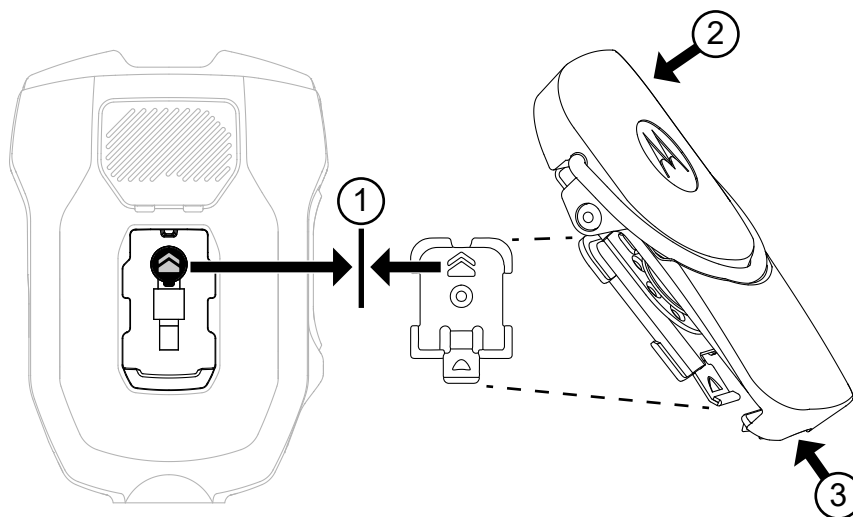
Para garantir uma operação adequada, desligue o rádio antes de conectar o RSM ao rádio. Conectar o RSM ao rádio desativa o alto-falante do rádio, mas não desativa o microfone e o PTT do rádio.

### 2.2

## Prender a alça de cinto giratória

#### Procedimento:

1. Combine e alinhe os ícones de seta e as asas laterais.
2. Empurre a parte superior do clipe para baixo.
3. Simultaneamente, empurre o clipe lateral para cima.

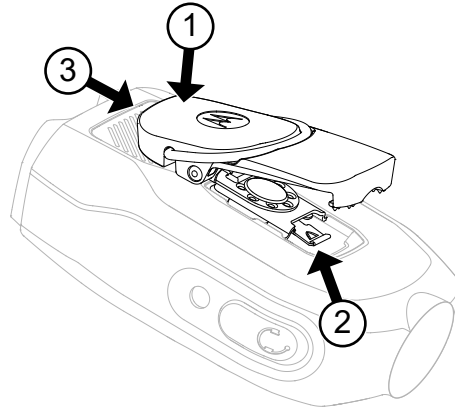


### 2.3

## Retirar a alça de cinto giratória

#### Procedimento:

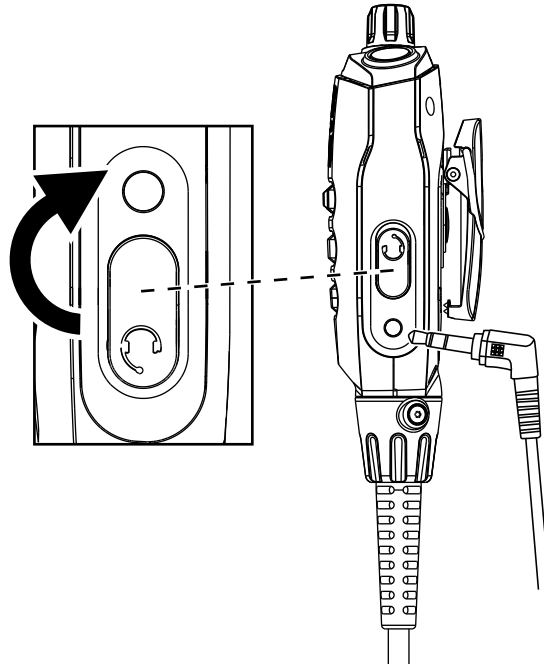
1. Empurre a parte superior do clipe para levantá-lo até a posição mais alta.
2. Levante a trava de liberação inferior.  
Recomenda-se usar uma ferramenta com ponta pequena e plana.
3. Para remover o clipe, deslize-o.



2.4

## Entrada de áudio do fone de ouvido

Figura 1: Inserir entrada de áudio



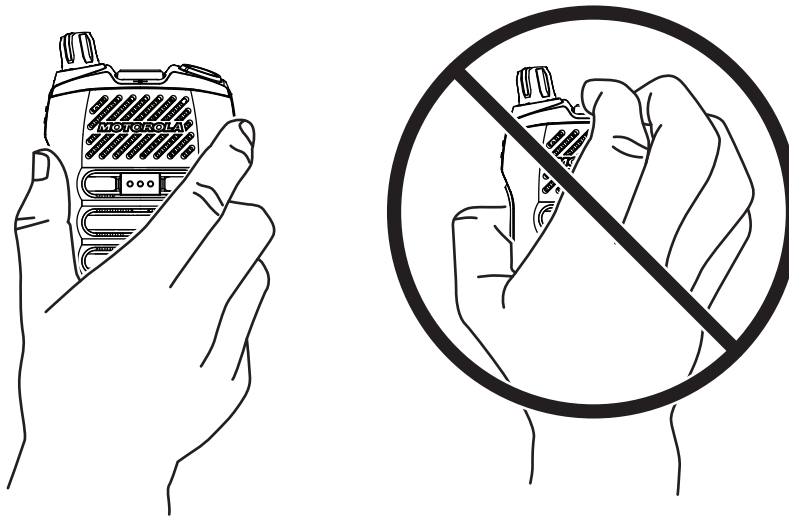
## Capítulo 3

# Práticas recomendadas

Esta seção traz informações sobre práticas recomendadas para o Microfone com alto-falante remoto (RSM).

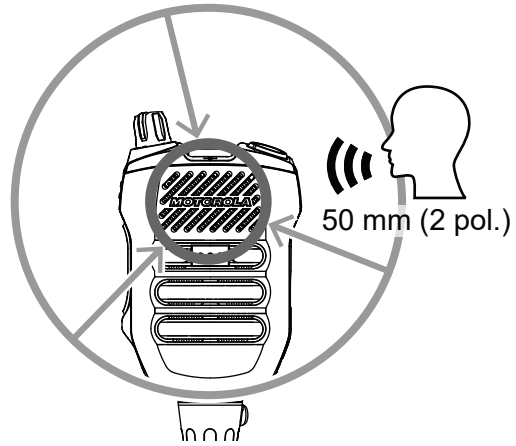
### 3.1

## Como segurar o RSM



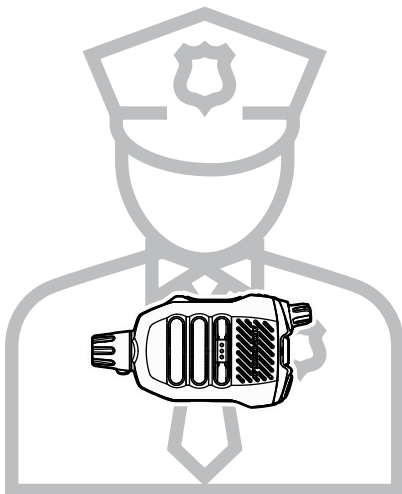
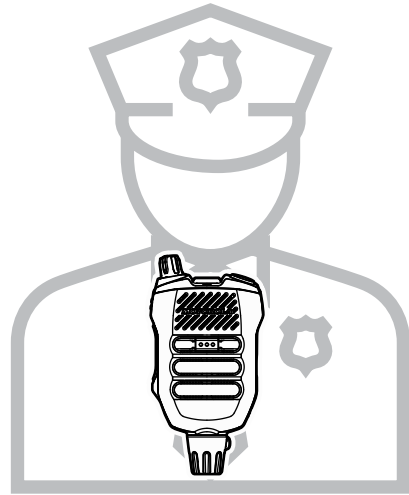
3.2

## Como usar o RSM



3.3

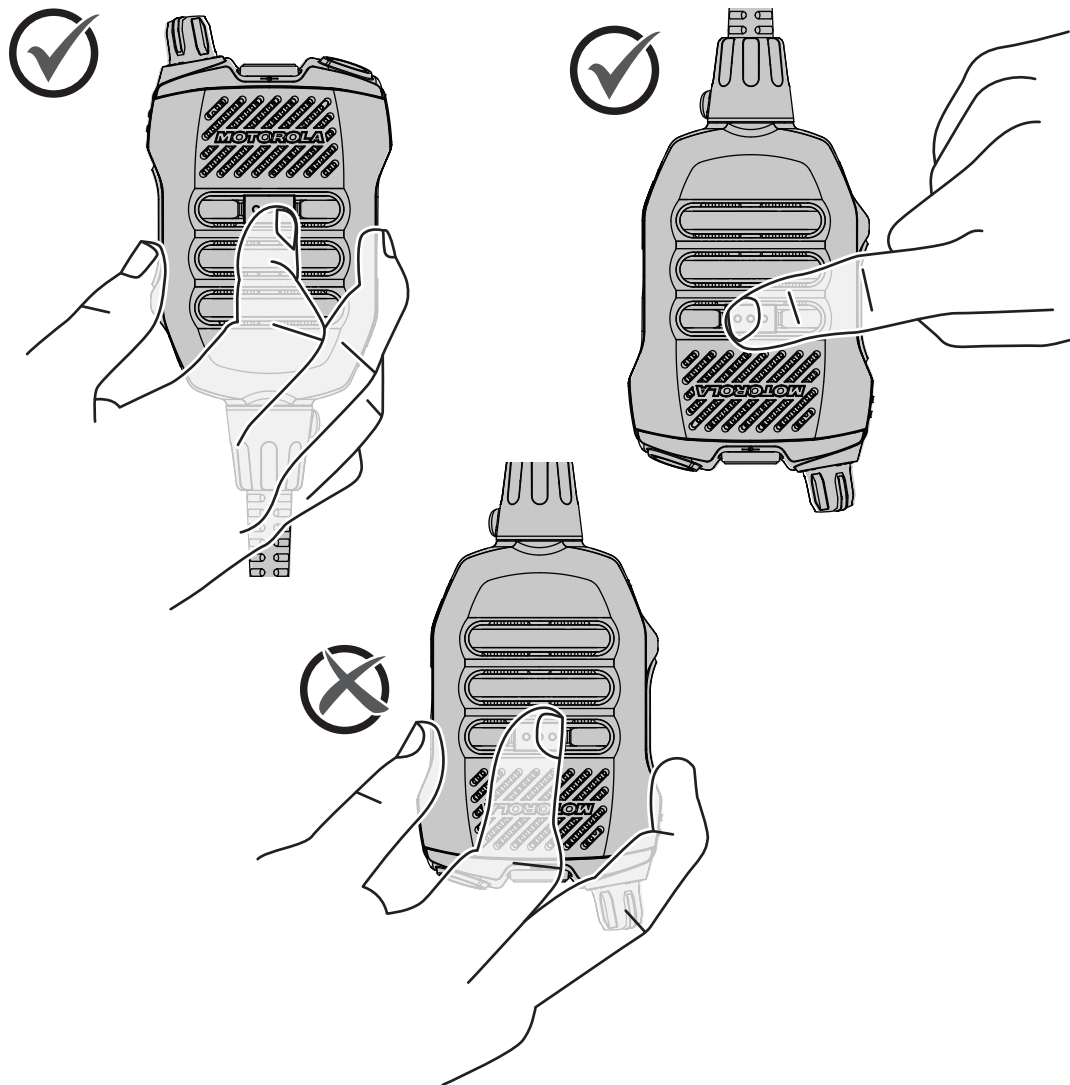
# Posicionamento do RSM





### 3.4

## Manuseio adequado



### 3.5

## Melhores práticas de transmissão

- Segure o RSM (Remote Speaker Microphone, microfone com alto-falante remoto) a uma ou duas polegadas de distância da boca.
- Fale em tom alto, claro e com a voz controlada
- Fale mais alto do que o ruído de fundo
- Quando possível, agite o RSM para retirar a água antes da transmissão



#### **OBSERVAÇÃO:**

Consulte o manual do usuário do rádio para mais detalhes.

## Capítulo 4

# Procedimento de limpeza

Não use solventes na limpeza no Microfone com alto-falante remoto (RSM), já que a maioria dos produtos químicos pode danificar permanentemente o invólucro e as estruturas do RSM. Não mergulhe o RSM em uma solução de detergente. Para limpar as superfícies externas do rádio, siga o procedimento abaixo:

**Procedimento:**

1. Aspire a superfície frontal do RSM. Evite cobrir completamente a grade do alto-falante e as aberturas do microfone de uma vez com o bico.
2. Misture uma colher de chá de detergente neutro em quatro litros de água (solução de 0,5%) para limpar as superfícies externas do RSM.
3. Aplique uma quantidade pequena da solução com uma escova rígida, não metálica e de cerdas curtas, certificando-se de que o detergente não entre nos conectores, controles e fendas. Seque bem o RSM com um pano macio e sem fiapos.

## Capítulo 5

# Aviso de atualizações do firmware do RSM

- O rádio verifica a versão do firmware do Microfone com alto-falante remoto (RSM) automaticamente após a inicialização.
- O firmware mais antigo do RSM é atualizado automaticamente pelo rádio.
- O processo de atualização do firmware do RSM leva menos de 20 segundos para ser concluído.
- Durante a atualização do firmware, todos os botões, exceto o PTT e o botão de emergência, ficam indisponíveis.
- A atualização do firmware do RSM é cancelada por transmissão (Tx) ou recepção (Rx) PTT durante o processo de atualização. Desligue e ligue o rádio novamente para reiniciar a atualização do firmware do RSM.

### 5.1

## Requisito de firmware do rádio

O RSM XVP só é compatível com a seguinte versão de firmware do rádio e posterior:

- APX Radios: R24.00.00
- APX Next Radios: R03.20.00
- APX N70 Radios: R01.00.00

# Посібник користувача виносного переговорного пристрою XVP IMPRES із функцією усунення шумів DincX (PMMN4135\_ PMMN4136\_ PMMN4141\_ PMMN4142\_)

**ГРУДЕНЬ 2023 Р.**

© 2023 Motorola Solutions, Inc. All Rights Reserved.



MN008918A01-AB

# Інформація про безпечність і правові норми

Цей розділ містить інформацію щодо техніки безпеки під час поводження з виробом і застосовних правових норм.

## Інформація щодо інтелектуальної власності та відповідності нормативним вимогам

### Авторські права

Вироби компанії Motorola Solutions, що описані в цьому документі, можуть містити захищені авторськими правами комп'ютерні програми Motorola Solutions. Закони в США та інших країнах зберігають за компанією Motorola Solutions певні виняткові права на захищені авторським правом комп'ютерні програми. Зважаючи на це, заборонено в будь-який спосіб копіювати або відтворювати будь-які захищені авторськими правами комп'ютерні програми компанії Motorola Solutions, що входять до складу описаних у цьому документі продуктів компанії Motorola Solutions, без попередньої письмової згоди Motorola Solutions.

Жодну частину цього документа не можна відтворювати, передавати, зберігати в системі пошуку або перекладати будь-якою мовою, зокрема комп'ютерною, у будь-якій формі та будь-якими засобами без попереднього письмового дозволу компанії Motorola Solutions, Inc.

### Торгові марки

MOTOROLA, MOTO, MOTOROLA SOLUTIONS, and the Stylized M Logo are trademarks or registered trademarks of Motorola Trademark Holdings, LLC and are used under license. All other trademarks are the property of their respective owners.

### Права на ліцензії

Придбання продуктів Motorola Solutions не слід вважати наданням прямо, опосередковано, через позбавлення права заперечення (естопель) або іншим чином жодних ліцензій на об'єкти авторського права, патенти або патентні заявки компанії Motorola Solutions, окрім звичайної невиключної безоплатної (royalty-free) ліцензії на використання, передбаченої законом для випадків продажу продукту.

### Відкритий вихідний код

Цей продукт може містити програмне забезпечення з відкритим вихідним кодом, що використовується за ліцензією. Повна інформація стосовно правових положень щодо програмного забезпечення з відкритим кодом вихідним і авторських прав міститься на носії встановлення продукту.

### Директива Європейського союзу (ЄС) і Сполученого Королівства щодо відпрацьованого електричного й електронного обладнання (WEEE)



Згідно з директивою Європейського союзу й Сполученого Королівства WEEE, на продуктах, що продаються в країнах ЄС або Сполученому Королівстві, має бути наклейка з перекресленим кошиком для сміття (або, у деяких випадках, на упаковці). Як визначено директивою WEEE, така наклейка з перекресленим сміттєвим кошиком на коліщатках означає, що споживачам і кінцевим користувачам

у країнах ЄС і Сполученому Королівстві не слід утилізувати електронне й електричне обладнання чи аксесуари разом із побутовими відходами.

Споживачам чи кінцевим користувачам у країнах ЄС і Сполученому Королівстві слід звернутися до місцевого представника постачальника обладнання чи сервісного центру для отримання інформації про систему збору відходів у їхній країні.

### **Відмова від відповідальності**

Зверніть увагу, що певні характеристики, вироби й можливості, описані в цьому документі, можуть бути недоступні або неліцензовані для використання в конкретній системі або можуть залежати від характеристик конкретного пристрою мобільного зв'язку чи конфігурації деяких параметрів. По додаткову інформацію звертайтеся до компанії Motorola Solutions через свою контактну особу.

© 2023 Motorola Solutions, Inc. All Rights Reserved

## **Маркування щодо відповідності**



## Зв'язок із нами

Центр керування технічною підтримкою (Centralized Managed Support Operations, CMSO) є основним місцем, куди ви можете звернутися по технічну допомогу згідно з договором про обслуговування між вашою організацією й компанією Motorola Solutions.

Клієнти, які уклали договір про обслуговування, мають звертатися до CMSO в усіх ситуаціях, що наведені в розділі про зобов'язання клієнта в їхньому договорі, зокрема:

- для підтвердження результатів пошуку й усунення несправностей і аналізу перед будь-якими діями.

Вашій організації було надано номери телефонів служби підтримки та іншу контактну інформацію для вашого географічного регіону й договору про обслуговування. Ці дані дадуть вам змогу отримати відповіді на ваші запитання в найефективніший спосіб. Але за потреби ви можете знайти загальні номери служби підтримки на сайті Motorola Solutions, виконавши наведені далі дії.

1. Введіть в адресному рядку браузера [motorolasolutions.com](https://motorolasolutions.com).
2. Переконайтеся, що на сторінці вказано країну або регіон вашої організації. Щоб змінити регіон, натисніть його назву.
3. Виберіть Support (Підтримка) на сторінці [motorolasolutions.com](https://motorolasolutions.com).

### Коментарі

Надсилайте свої запитання й коментарі щодо документації для користувачів за адресою [documentation@motorolasolutions.com](mailto:documentation@motorolasolutions.com).

Укажіть у своєму повідомленні про помилку в документації таку інформацію:

- назву документа й номер виробу за каталогом;
- номер сторінки й назву розділу, де виявлено помилку;
- опис помилки.

Компанія Motorola Solutions пропонує різні курси, які допоможуть вам розібратися із системою. Інформацію про доступні курси й навчальні плани щодо технологічних рішень див. на сайті <https://learning.motorolasolutions.com>.

# Графічні символи

Цей набір документації містить візуальні підказки для читачів. У ньому використовуються наведені нижче графічні символи.



**НЕБЕЗПЕКА:** Слово «НЕБЕЗПЕКА» з відповідним значком застереження вказує на інструкції, недотримання яких спричинить смерть або тяжку травму.



**ПОПЕРЕДЖЕННЯ:** Слово «ПОПЕРЕДЖЕННЯ» з відповідним значком застереження вказує на інструкції, недотримання яких може спричинити смерть, тяжку травму чи значне пошкодження виробу.



**ЗАСТЕРЕЖЕННЯ:** Слово «УВАГА» з відповідним значком застереження вказує на інструкції, недотримання яких може спричинити травму легкого або середнього ступеня тяжкості чи значне пошкодження виробу.

**ЗАСТЕРЕЖЕННЯ:** Слово «УВАГА» без значка застереження вказує на можливе пошкодження або травму, які не пов'язані з виробом.



**ВАЖЛИВО:** Повідомлення зі словом «ВАЖЛИВО» містять інформацію, яка є важливою в поточному контексті, але не належить до категорії «УВАГА» або «ПОПЕРЕДЖЕННЯ». З повідомленням категорії «ВАЖЛИВО» не пов'язано жодного рівня серйозності попереджень.



**ПРИМІТКА:** Слово «ПРИМІТКА» вказує на інформацію, яка є важливішою, ніж текст навколо неї, наприклад винятки або передумови. Примітки також містять посилання на додаткову інформацію, нагадують читачеві, як виконати певну дію (яка, наприклад, не є частиною поточної процедури), або вказують на розташування певного елемента на екрані. З приміткою не пов'язано жодного рівня серйозності попереджень.



# Передмова

## Відомості щодо впливу енергії радіочастотного випромінювання й Посібник із техніки безпеки під час використання портативного пристрою двостороннього радіозв'язку

### **ЗАСТЕРЕЖЕННЯ:**

Перед використанням цього виробу прочитайте цей посібник, що містить інформацію про свідоме ставлення до радіочастотного випромінювання та інструкції з експлуатації.

Інформацію щодо сертифікації на відповідність вимогам іскробезпеки та/або незаймистості можна знайти в посібнику із затвердження, який постачається разом із вашим радіопристроєм.

## Безпека органів слуху

Тривалий гучний шум будь-якого походження може тимчасово або назавжди пошкодити слух. Що вищу гучність радіопристрою встановлено, то менше часу ним можна користуватися без ризику для органів слуху. Ушкодження слуху через гучний шум не завжди виявляється одразу, воно може розвиватися поступово. Для захисту органів слуху дотримуйтеся наведених нижче рекомендацій.

- Використовуйте найменшу гучність, необхідну для роботи.
- Збільшуйте гучність лише в умовах наявності сильного шуму навколо.
- Зменшуйте гучність, перш ніж надівати гарнітуру або навушники.
- Обмежуйте час використання будь-яких гарнітур або навушників за високої гучності.
- Якщо радіопристрій використовується без гарнітури або навушників, не наближайте динамік пристрою безпосередньо до вуха.
- Якщо ви відчуваєте слуховий дискомфорт, дзвеніння у вухах чи приглушення мови, слід припинити прослуховування радіопристрою через гарнітуру чи навушники та звернутися до лікаря для перевірки слуху. Щоб змінити рівень гучності, дивіться Буклет із техніки безпеки для радіопристрою або ПЗ для індивідуального програмування (CPS) для налаштування комунікаційного комплексу підвищеної гучності (xL).

## Гарантія

Компанія Motorola Solutions надає гарантію на ваш виносний переговорний пристрій. Щоб дізнатися більше, зверніться до дилера компанії Motorola Solutions або до магазину, де ви придбали пристрій.



**ПРИМІТКА:** У разі заміни клієнтом будь-якої деталі, відсутньої в списку змінних деталей, дія гарантії припиняється.

# Зміст

|  |           |
|--|-----------|
| <b>Інформація про безпечність і правові норми.....</b>   | <b>2</b>  |
| Інформація щодо інтелектуальної власності та відповідності нормативним вимогам.....  | 2         |
| Маркування щодо відповідності.....   | 3         |
| <b>Зв'язок із нами.....</b>  | <b>4</b>  |
| <b>Графічні символи.....</b>   | <b>5</b>  |
| <b>Передмова.....</b>  | <b>6</b>  |
| Відомості щодо впливу енергії радіочастотного випромінювання й Посібник із техніки безпеки під час використання портативного пристрою двостороннього радіозв'язку..... | 6         |
| Безпека органів слуху.....   | 6         |
| Гарантія.....  | 6         |
| <b>Розділ 1. Огляд виробу.....</b>   | <b>8</b>  |
| 1.1 Змінні частини.....  | 10        |
| 1.1.1 Заміна спірального проводу.....  | 11        |
| <b>Розділ 2. Інструкції з експлуатації.....</b>  | <b>12</b> |
| 2.1 Прикріплення виносного мікрофона з динаміком до радіопристрою.....   | 12        |
| 2.2 Кріплення поворотної петлі для ременя.....   | 12        |
| 2.3 Від'єднання поворотної петлі для ременя.....   | 13        |
| 2.4 Аудіороз'єм для навушників.....  | 14        |
| <b>Розділ 3. Рекомендації щодо використання.....</b>   | <b>15</b> |
| 3.1 Як тримати виносний переговорний пристрій.....   | 15        |
| 3.2 Використання виносного переговорного пристрою.....   | 16        |
| 3.3 Розташування виносного переговорного пристрою.....   | 17        |
| 3.4 Правильне поводження.....  | 18        |
| 3.5 Поради щодо ведення передачі.....  | 18        |
| <b>Розділ 4. Процедура очищення.....</b>   | <b>19</b> |
| <b>Розділ 5. Зауваження щодо оновлення вбудованого програмного забезпечення виносного мікрофона з динаміком.....</b>   | <b>20</b> |
| 5.1 Вимоги щодо вбудованого програмного забезпечення радіопристрою.....  | 20        |

## Розділ 1

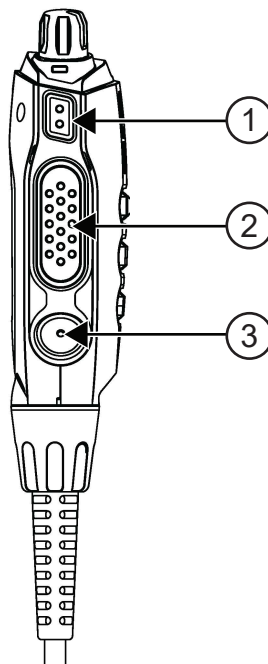
# Огляд виробу

## Моделі з виносним переговорним пристроєм (RSM)


Таблиця 1. Моделі з виносним переговорним пристроєм

| Номер за каталогом | Опис                       | Змінний спіральний провід | Сумісні радіопристрої |
|--------------------|----------------------------|---------------------------|-----------------------|
| PMMN4135_          | RSM із перемикачем каналів | PMKN4260_                 | APX, APX NEXT         |
|                    |                            | PMKN4263_                 | APX N70               |
| PMMN4136_          | RSM без перемикача каналів | PMKN4260_                 | APX, APX NEXT         |
|                    |                            | PMKN4263_                 | APX N70               |
| PMMN4141_          | RSM із перемикачем каналів | PMKN4260_                 | APX, APX NEXT         |
|                    |                            | PMKN4263_                 | APX N70               |
| PMMN4142_          | RSM без перемикача каналів | PMKN4260_                 | APX, APX NEXT         |
|                    |                            | PMKN4263_                 | APX N70               |

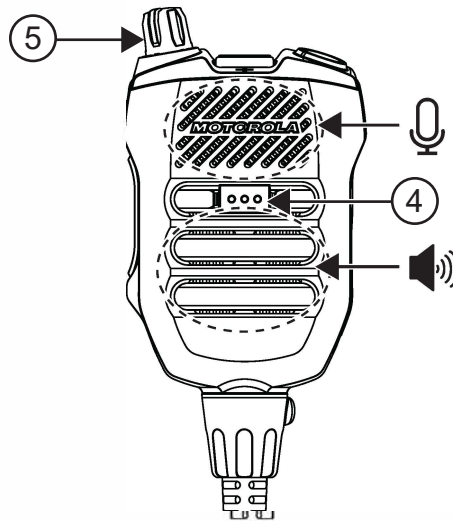
## Тангента та програмована кнопка




| Номер | Опис                   |
|-------|------------------------|
| 1     | Кнопка з двома точками |
| 2     | Тангента               |
| 3     | Кнопка з однією точкою |

 **ПРИМІТКА:** Програмовані кнопки з однією, двома й трьома точками можуть бути налаштовані на інші функції, відмінні від тих самих кнопок на радіостанції. Більше інформації можна знайти в керівництві користувача радіостанції.

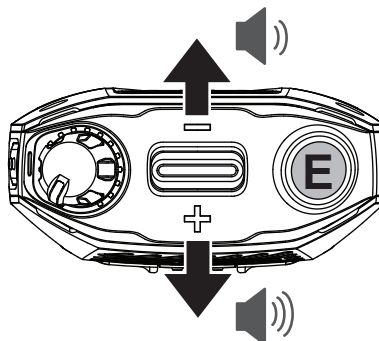
## Динамік і мікрофон



| Номер | Опис                    |
|-------|-------------------------|
| 4     | Кнопка з трьома точками |
| 5     | Перемикач каналів       |

 **ПРИМІТКА:**  
Застосовується лише до моделей  
PMMN4135\_ та PMMN4141\_.




## Регулювання гучності




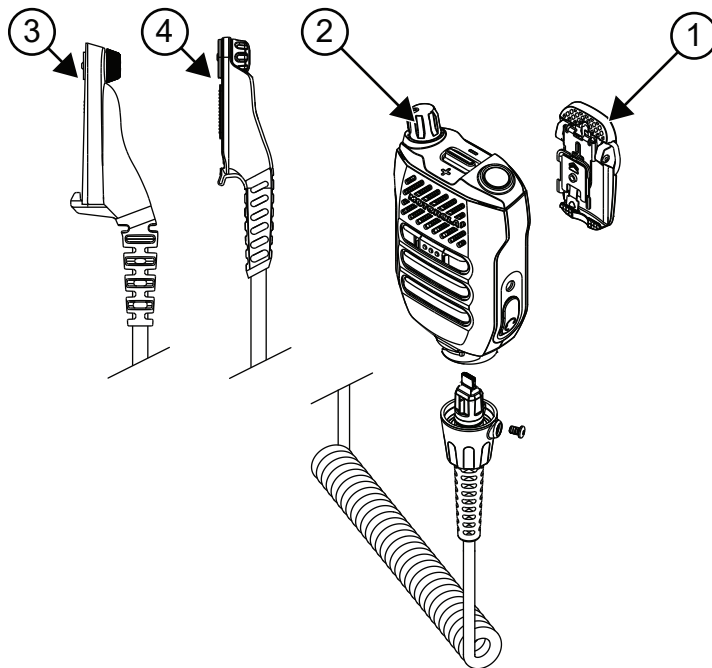
## 1.1

# Змінні частини

Таблиця 2. Змінні частини

| Елемент | Номер за каталогом | Опис   |
|---------|--------------------|--|
| 1       | PMLN8312_          | Низькопрофільний поворотний затискач із D-образним кільцем   |
| 2       | PMLN8313_          | Перемикач каналів<br> <b>ПРИМІТКА:</b> Застосовується лише до моделей PMMN4135_ та PMMN4141_.               |
| 3       | PMKN4260_          | Спиральний провід<br> <b>ПРИМІТКА:</b> Сумісний із роз'ємом на бічній панелі радіопристроїв APX і APX Next. |
| 4       | PMKN4263_          | Спиральний провід<br> <b>ПРИМІТКА:</b> Сумісний із роз'ємом на бічній панелі радіопристрою APX N70.         |

 **ПРИМІТКА:** І провід PMKN4260\_, і провід PMKN4263\_ можна підключати до виносного переговорного пристрою (RSM), але інформація на етикетці на корпусі ззаду не змінюється. Інформацію про сумісні аксесуари можна дізнатися з відповідного керівництва користувача радіопристрою UL.



 **ПРИМІТКА:** Щоб уникнути функціональних проблем, не підключайте несумісні проводи.

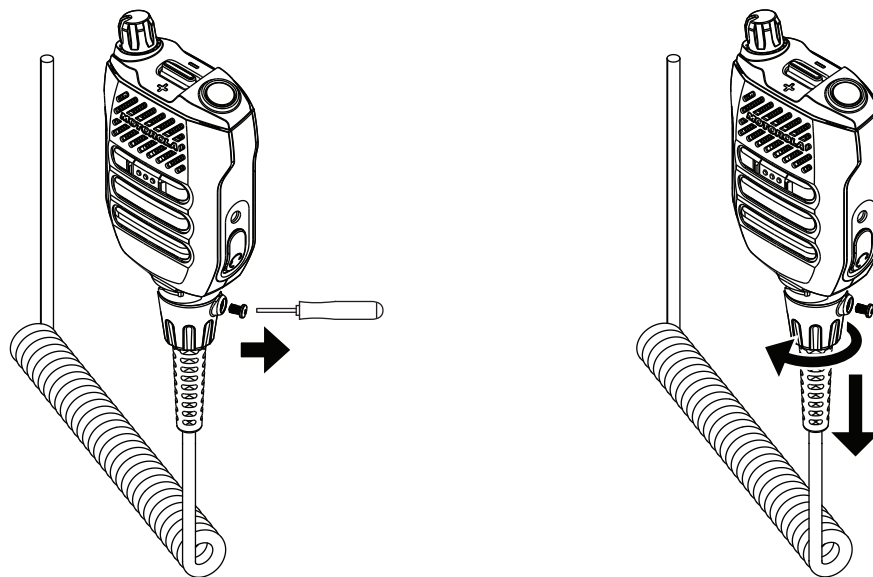
## Додаткові аксесуари

Таблиця 3. Додаткові аксесуари

| Номер за каталогом | Опис   |
|--------------------|--|
| PMLN8120_          | Навушник із гучномовцем, з прозорою трубкою, роз'єм 3,5 мм (лише прийом)                               |
| PMLN8650_          | Навушник для одного вуха з тканево-волокневим оплетенням N-ear 360 Flexo™ Dynamic Braided Fiber Cloth™ |
| PMLN8652_          | Навушник підвищеної гучності з прозорою трубкою, роз'єм 3,5 мм (лише прийом)                           |

### 1.1.1

## Заміна спірального проводу



## Розділ 2

# Інструкції з експлуатації

Цей розділ містить інструкції щодо використання виносного мікрофона з динаміком.


### 2.1

## Прикріплення виносного мікрофона з динаміком до радіопристрою

**Передумови:** Вимкніть радіостанцію.

**Процедура:**

1. Вставте роз'єм виносного переговорного пристрою в гніздо збоку на радіостанції.
2. Вкрутіть роз'єм у гніздо за годинниковою стрілкою.

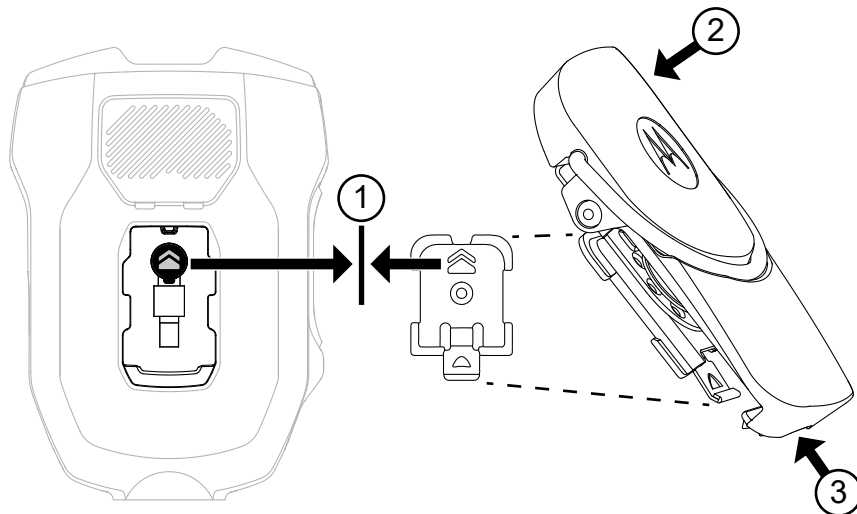
 **ПРИМІТКА:** Щоб забезпечити правильну роботу пристрою, вимкніть радіостанцію, перш ніж підключати виносний переговорний пристрій. У разі підключення виносного переговорного пристрою вбудований динамік радіостанції не працюватиме, а вбудований мікрофон і тангента залишаться активними.

### 2.2

## Кріплення поворотної петлі для ременя

**Процедура:**

1. Сумістіть позначки-стрілки та бічні виступи.
2. Натисніть зверху на затискач.
3. Одночасно посуňte рухому частину затискача вгору.

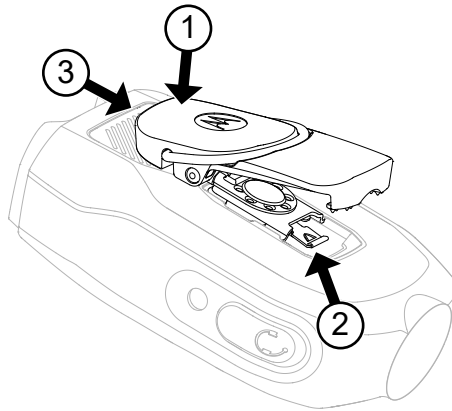


### 2.3

## Від'єднання поворотної петлі для ременя

#### Процедура:

1. Натисніть на верхню частину затискача та посуньте його вгору до упору.
2. Підніміть нижній фіксатор.  
Рекомендується використовувати невеликий інструмент із плоским наконечником.
3. Посуньте затискач, щоб зняти його.

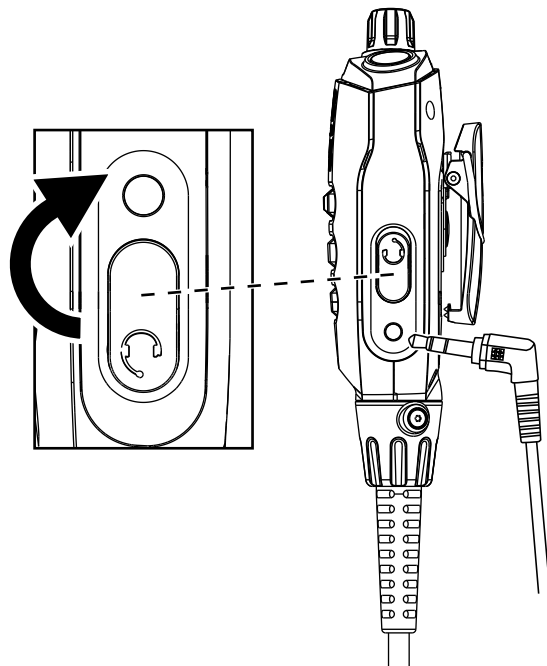




2.4

## Аудіороз'єм для навушників

Рисунок 1. Підключення до аудіороз'єму



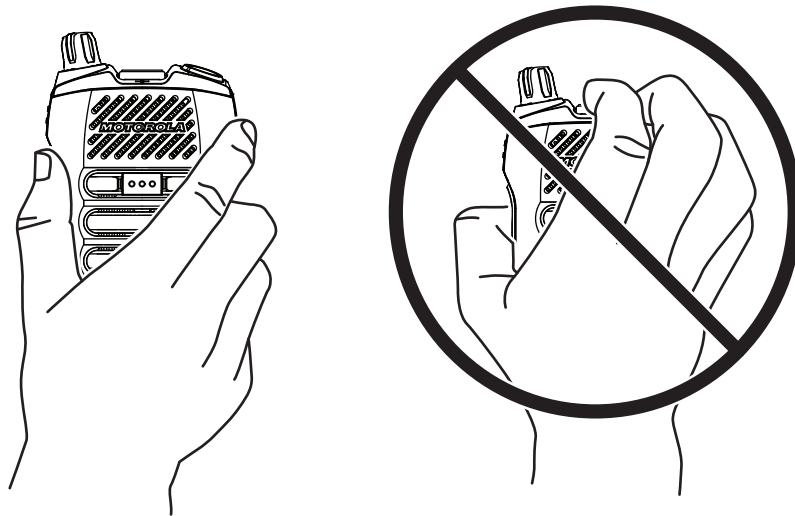
## Розділ 3

# Рекомендації щодо використання

Цей розділ містить рекомендації щодо ефективного використання виносного мікрофона з динаміком.

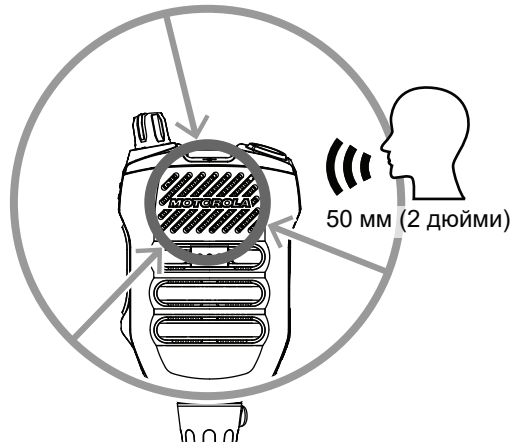
### 3.1

## Як тримати виносний переговорний пристрій



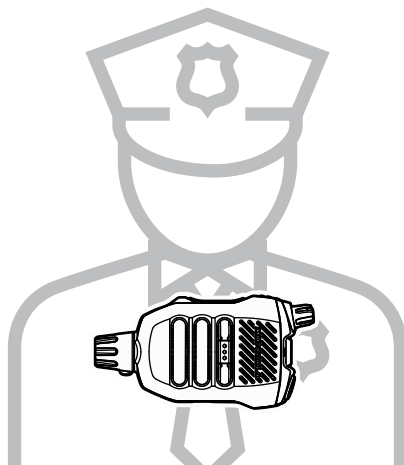
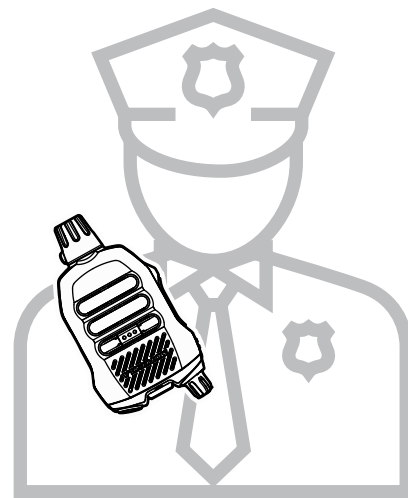
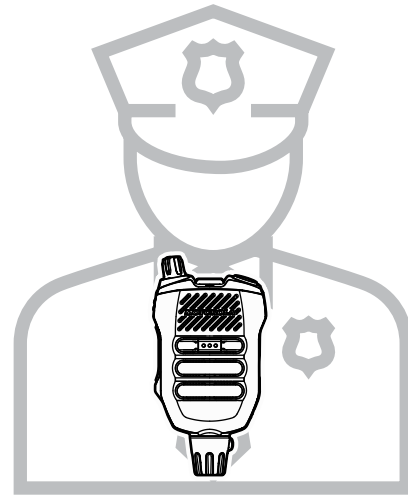
3.2

# Використання виносного переговорного пристрою



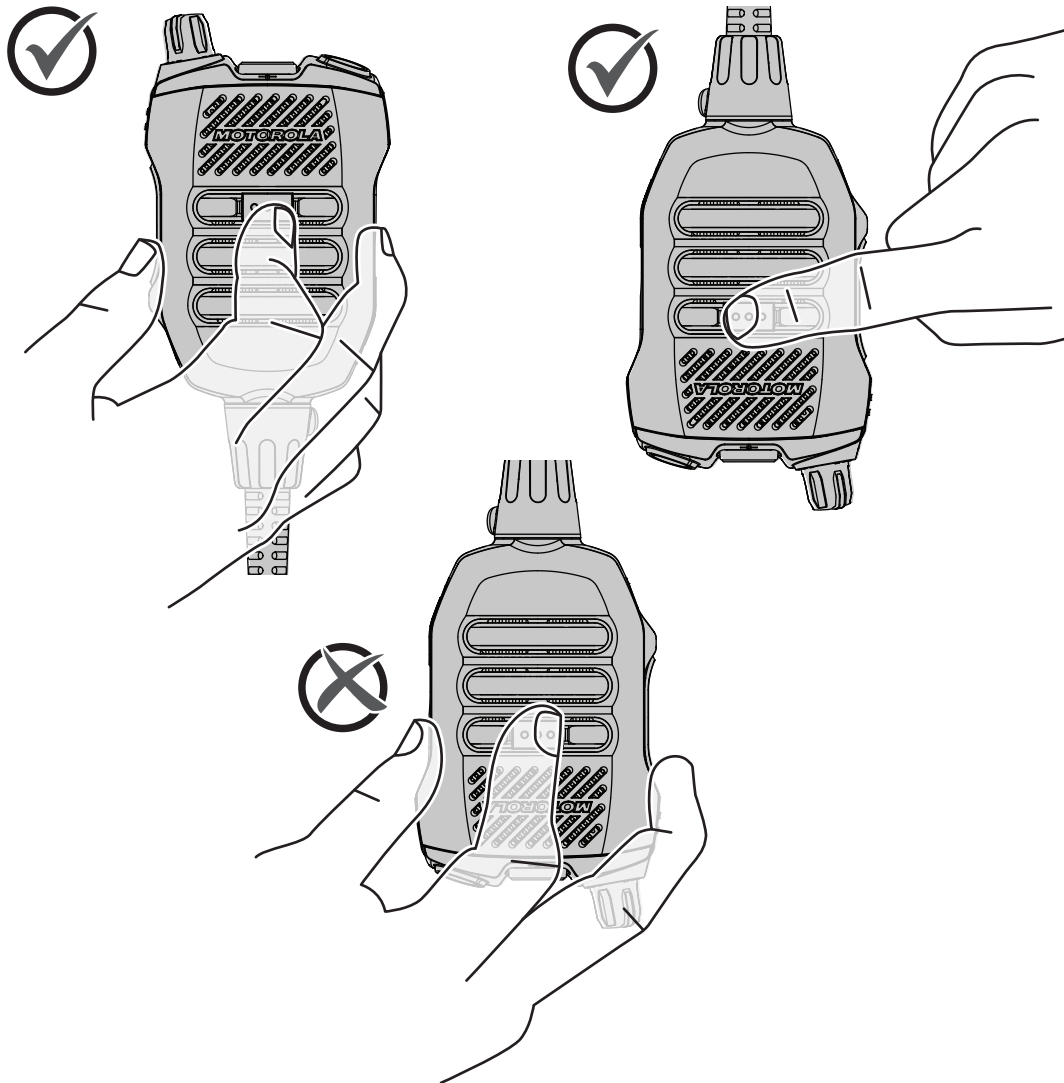
## 3.3

## Розташування виносного переговорного пристрою



## 3.4

## Правильне поводження



## 3.5

## Поради щодо ведення передачі

- Тримайте виносний переговорний пристрій (RSM) на відстані 1–2 дюймів (2,5–5 см) від рота.
- Говоріть голосно й чітко, контролюючи свій голос.
- Ваш голос має перебивати фоновий шум, тому, якщо необхідно, говоріть голосніше.
- У разі необхідності, потрусіть RSM, щоб видалити воду перед передачею.



**ПРИМІТКА:** Більше інформації можна знайти в посібнику користувача радіостанції.

## Розділ 4

# Процедура очищення

Не використовуйте розчинники для очищення виносного мікрофона з динаміком, оскільки більшість хімічних речовин можуть безповоротно пошкодити корпус і структуру поверхні виносного мікрофона з динаміком. Не занурюйте виносний мікрофон із динаміком у мийний розчин. Для очищення зовнішніх поверхонь радіопристрою виконайте процедуру, описану нижче.

### Процедура:

1. Пропилососьте передню поверхню виносного мікрофона з динаміком. Намагайтеся не закривати одночасно всю решітку динаміка й отвори мікрофона насадкою.
2. Змішайте одну чайну ложку м'якого засобу для миття посуду з одним галоном (3,8 л) води, щоб отримати 0,5%-й розчин для очищення зовнішніх поверхонь виносного мікрофона з динаміком.
3. Тонким шаром нанесіть розчин неметалевою щіткою з коротким жорстким ворсом, стежачи, щоб надлишок мийного засобу не потрапив усередину роз'ємів, елементів керування чи щілин. Насухо протріть виносний мікрофон із динаміком м'якою тканиною без ворсу.

## Розділ 5

# Зауваження щодо оновлення вбудованого програмного забезпечення виносного мікрофона з динаміком

- Після ввімкнення виносного мікрофона з динаміком радіостанція автоматично перевіряє версію його вбудованого програмного забезпечення.
- Якщо версія вбудованого програмного забезпечення виносного мікрофона з динаміком застаріла, воно автоматично оновиться через радіостанцію.
- Процес оновлення вбудованого програмного забезпечення виносного мікрофона з динаміком займає менше 20 секунд.
- Під час оновлення вбудованого програмного забезпечення всі кнопки, окрім РТТ та кнопки екстреного виклику, не працюють.
- Оновлення вбудованого програмного забезпечення виносного мікрофона з динаміком переривається під час здійснення передачі тангентою (Tx) або в разі отримання вхідного сигналу (Rx) під час оновлення. Вимкніть і знову ввімкніть радіопристрій, щоб повторно розпочати оновлення вбудованого програмного забезпечення виносного мікрофона з динаміком.

### 5.1

## Вимоги щодо вбудованого програмного забезпечення радіопристрою

Виносний переговорний пристрій XVP сумісний тільки із наведеною нижче версією вбудованого програмного забезпечення та більш ранніми версіями:

- радіопристрої APX: R24.00.00
- радіопристрої APX Next: R03.20.00
- радіопристрої APX N70: R01.00.00