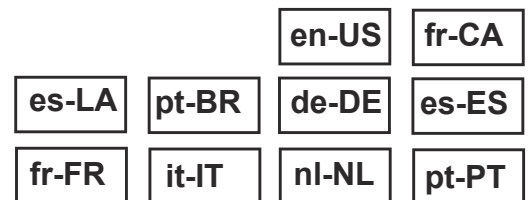


L6Q Multi-Unit Charger PMPN4003 User Guide



OCTOBER 2023

© 2023 Motorola Solutions, Inc. All Rights Reserved.



MN010173A01-AA

Contents

Safety and Legal.....	3
Chapter 1: Charger Overview.....	7
1.1 Charger Accessories Overview.....	8
1.2 Authorized Batteries, Power Cords, and Power Supplies.....	8
1.3 Optional Equipment.....	9
Chapter 2: Charger Operations.....	10
2.1 Charging the Batteries.....	10
2.2 Charging Indications.....	11
2.3 Combining the Multi-Unit Chargers.....	11
2.4 Separating the Multi-Unit Chargers.....	13
2.5 Mounting the Mounting Bracket to the Wall.....	14
2.6 Preparing Chargers for Desktop Charging.....	16
2.7 Preparing Chargers for Vertical Charging Position.....	17

Safety and Legal

This section provides the safety and legal information for this product.

Certification Marks



Contact Address

European Union Contact

Motorola Solutions,
Czerwone Maki 82,
30-392 Krakow, Poland

Intellectual Property and Regulatory Notices

Copyrights

The Motorola Solutions products described in this document may include copyrighted Motorola Solutions computer programs. Laws in the United States and other countries preserve for Motorola Solutions certain exclusive rights for copyrighted computer programs. Accordingly, any copyrighted Motorola Solutions computer programs contained in the Motorola Solutions products described in this document may not be copied or reproduced in any manner without the express written permission of Motorola Solutions.

No part of this document may be reproduced, transmitted, stored in a retrieval system, or translated into any language or computer language, in any form or by any means, without the prior written permission of Motorola Solutions, Inc.

Trademarks

MOTOROLA, MOTO, MOTOROLA SOLUTIONS, and the Stylized M Logo are trademarks or registered trademarks of Motorola Trademark Holdings, LLC and are used under license. All other trademarks are the property of their respective owners.

License Rights

The purchase of Motorola Solutions products shall not be deemed to grant either directly or by implication, estoppel or otherwise, any license under the copyrights, patents or patent applications of Motorola Solutions, except for the normal non-exclusive, royalty-free license to use that arises by operation of law in the sale of a product.

Open Source Content

This product may contain Open Source software used under license. Refer to the product installation media for full Open Source Legal Notices and Attribution content.

European Union (EU) and United Kingdom (UK) Waste of Electrical and Electronic Equipment (WEEE) Directive



The European Union's WEEE directive and the UK's WEEE regulation require that products sold into EU countries and the UK must have the crossed-out wheeled bin label on the product (or the package in some cases). As defined by the WEEE directive, this crossed-out wheeled bin label means that customers and end-users in EU and UK countries should not dispose of electronic and electrical equipment or accessories in household waste.

Customers or end-users in EU and UK countries should contact their local equipment supplier representative or service centre for information about the waste collection system in their country.

Disclaimer

Please note that certain features, facilities, and capabilities described in this document may not be applicable to or licensed for use on a specific system, or may be dependent upon the characteristics of a specific mobile subscriber unit or configuration of certain parameters. Please refer to your Motorola Solutions contact for further information.

© 2023 Motorola Solutions, Inc. All Rights Reserved

Supplier's Declaration of Conformity

Supplier's Declaration of Conformity

Per FCC CFR 47 Part 2 Section 2.1077(a)



Responsible Party

Name: Motorola Solutions, Inc.

Address: 2000 Progress Pkwy, Schaumburg, IL. 60196

Phone Number: 1-800-927-2744

Hereby declares that the product:

Model Name: **Multi-Unit Charger**

conforms to the following regulations:

FCC Part 15, subpart B, section 15.107(a), and section 15.109(a)

Class B Digital Device

This device complies with Part 15 of the FCC Rules. Operation is subject to the following two conditions:

1. This device may not cause harmful interference, and

2. This device must accept any interference received, including interference that may cause undesired operation.



NOTE:

This equipment has been tested and found to comply with the limits for a Class B digital device, pursuant to part 15 of the FCC Rules. These limits are designed to provide reasonable protection against harmful interference in a residential installation. This equipment generates, uses and can radiate radio frequency energy and, if not installed and used in accordance with the instructions, may cause harmful interference to radio communications. However, there is no guarantee that interference will not occur in a particular installation.

If this equipment does cause harmful interference to radio or television reception, which can be determined by turning the equipment off and on, the user is encouraged to try to correct the interference by one or more of the following measures:

- Reorient or relocate the receiving antenna.
- Increase the separation between the equipment and receiver.
- Connect the equipment into an outlet on a circuit different from that to which the receiver is connected.
- Consult the dealer or an experienced radio or TV technician for help.

For Australia Only

This provision applies to products and services supplied by Motorola Solutions to consumers within the meaning of the Australian Consumer Law. This warranty is given by Motorola Solutions Australia Pty Limited (ABN16 004 742 312) of Tally Ho Business Park, 10 Wesley Court, Burwood East, Victoria. Our goods come with guarantees that cannot be excluded under the Australia Consumer Law. For major failures with the service, you are entitled:

- To cancel your service contract with us: and
- To a refund for the unused portion, or to compensation for its reduced value.

You are entitled to choose a replacement or refund for a major failure with goods. If a failure with the goods or service does not amount to a major failure, you are entitled to have the failure rectified in a reasonable time. If this is not done, you are entitled to a refund for the goods, and to cancel the contract for the service and obtain a refund of any unused portion. You are also entitled to be compensated for any other reasonably foreseeable loss or damage from a failure in the goods or service. If you have any queries, please call Motorola Solutions Australia at 1800 457 439. You may also visit our website: https://www.motorolasolutions.com/en_xa/support.html for current warranty terms.

Important Safety Instructions

This document contains important safety and operating instructions.

Before using the battery charger, read all the instructions and cautionary markings on the charger and the battery.



WARNING: Read these instructions carefully and save them for future reference.

- To reduce the risk of damage to the power cord, pull the plug rather than the cord when disconnecting power cord from the AC outlet or the charger.
- To reduce the risk of fire or electric shock, avoid using an extension cord. If an extension cord must be used, ensure that the cord size is 18 AWG for lengths of up to 6.5 feet (2 m), and 16 AWG for lengths up to 9.8 feet (3 m).
- To reduce the risk of fire, electric shock, or injury, do not operate the charger if it is broken or damaged in any way. Take it to a qualified Motorola Solutions service representative.
- To reduce the risk of fire or electric shock, do not disassemble the charger. It is not repairable and replacement parts are not available.
- To reduce the risk of electric shock, unplug the charger power adapter from the AC outlet before attempting any maintenance or cleaning.
- To reduce the risk of injury, charge only the rechargeable authorized batteries. Other batteries may explode, causing personal injury and damage.
- To reduce the risk of fire, electric shock, or injury, only use the accessories recommended by Motorola Solutions.
- Changes or modifications made to this device, not expressly approved by Motorola Solutions, could void the authority of the user to operate this equipment.

Operational Safety Guidelines

- This equipment is not suitable for outdoor use. Use only in dry locations and condition.
- Maximum ambient temperature around the charger must not exceed 40 °C (104 °F).
- Connect the charger only to an appropriate power cord listed in *Motorola Solutions Authorized Power Cord List*.
- The AC outlet to which the power cord is connected should be close and easily accessible.
- Make sure the power cord is located where it will not be stepped on, tripped over, or subjected to water, damage, or stress.
- Connect the power cord only to an appropriately fused and wired AC outlet with the correct voltage, as specified on the product.

Disclaimer

The information in this document is carefully examined, and is believed to be entirely reliable. However, no responsibility is assumed for inaccuracies.

Furthermore, Motorola Solutions reserves the right to change any products to improve readability, function, or design. Motorola Solutions does not assume any liability arising out of the applications or use of any product or circuit described herein; nor does it cover any license under its patent rights, nor the rights of others.

Chapter 1

Charger Overview

Figure 1: Charger Overview

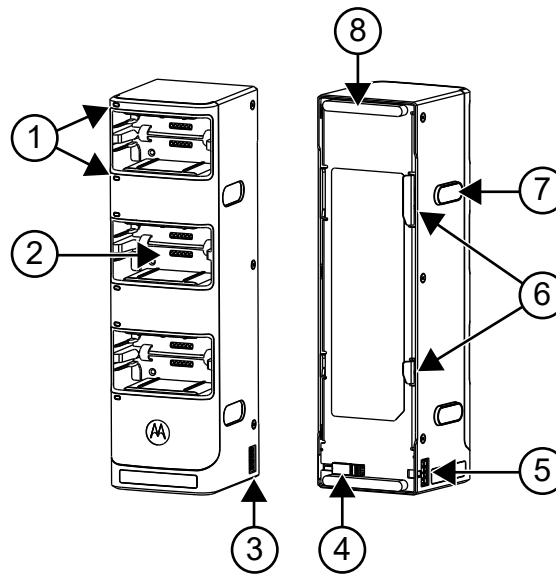


Table 1: Charger Overview

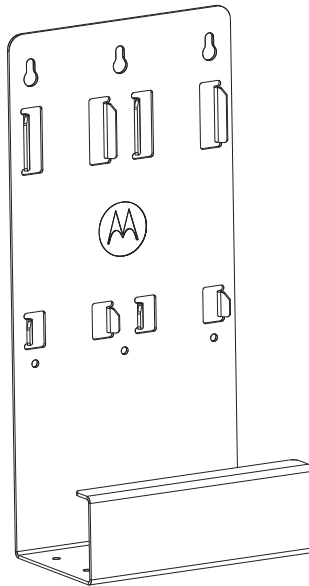
Label	Description
1	LED Indicator
2	Charging Pocket
3	Male Connector
4	Male Connector Latch
5	Female Connector
6	Mounting Bracket Rails
7	Magnet
8	Rubber Foot

Table 2: Charger Specification

INPUT	OUTPUT
15 V $\overline{\text{---}}$, 6 A (Up to 2 Multi-Unit Chargers)	4.35 V $\overline{\text{---}}$, 1.25 A x 6 pockets

1.1 Charger Accessories Overview

Figure 2: Mounting Bracket (Part Number: BR000628A01) Overview



1.2 Authorized Batteries, Power Cords, and Power Supplies

Table 3: Motorola Solutions Authorized Batteries

Part Number	Description	Series
PMPN4546	Lithium-ion Battery, 5000 mAh	L6Q

Table 4: Motorola Solutions Authorized Power Cords

Part Number	Description
3087791G01	Power Cord, North America
3087791G04	Power Cord, Europe
3087791G07	Power Cord, United Kingdom
3087791G10	Power Cord, Australia/New Zealand
3087791G13	Power Cord, Argentina
3087791G22	Power Cord, Brazil

Table 5: Motorola Solutions Authorized Power Supply

Charger Kit	Power Supply	Description	Module
PMPN4003	PS000242A04	External 90 W, 100–240 V	Up to two multi-unit chargers

1.3

Optional Equipment

A mounting bracket (Part Number: BR000628A01) is available for the Multi-Unit Charger. Contact your dealer to order this item. See [Mounting the Mounting Bracket to the Wall on page 14](#) for installation instructions.



WARNING:

- The mounting bracket should be installed by a trained and experienced technician. Having the mounting bracket installed by a non-specialized technician is dangerous, and can cause damage or injury.
- Do not install the mounting bracket where the weight cannot be supported. If the strength of the location where the mounting bracket is installed is not strong enough, it can fall off and cause an injury.
- Do not install the mounting bracket on a structure that is prone to vibration, movement, or chance of impact.

Chapter 2

Charger Operations

This section contains the charging information of your charger.

2.1

Charging the Batteries

Prerequisites: Use only Motorola Solutions authorized batteries. Charge the batteries at room temperature. Use only the assigned charger when charging the supported batteries.

Procedure:

1. Place the multi-unit charger horizontally on a flat surface.



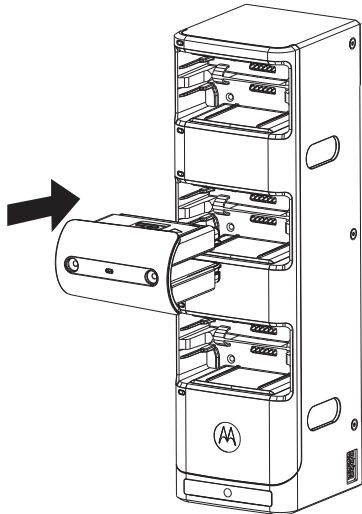
NOTE: If you have more than one multi-unit charger, it is recommended to place the multi-unit charger in a vertical position mounted to the mounting bracket.

2. Insert the power supply adapter to the female connector of the multi-unit charger.
3. Plug the power supply adapter to the power outlet.

If powering up the multi-unit charger is successful, the LED shows green for one second.

If powering up the multi-unit charger is unsuccessful, check the power cord connection.

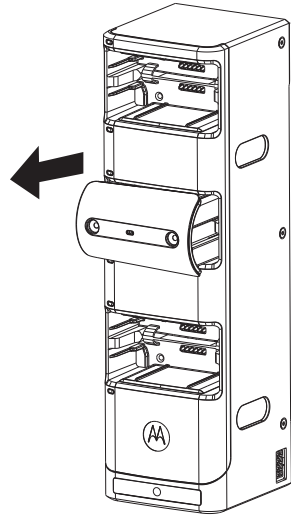
4. Align and insert the batteries (2X) with battery tray into the charger pocket.



5. Make sure that the battery is in contact with the charger contact.









If the battery is inserted correctly and the battery is being charged in the rapid charge mode, the LED indicator shows solid red.

6. To remove the battery trays from the charger pocket, pull the battery trays from the charger pocket.



2.2 Charging Indications

Table 6: Charging Indications

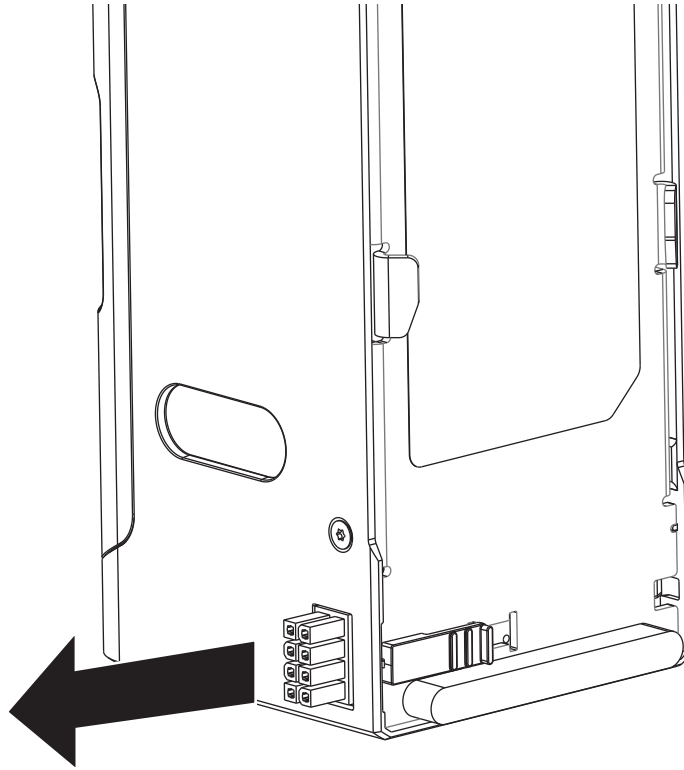
Charger Indication	Description
Solid green for 1 second 	Charger power up successfully.
Solid red 	Battery is charging rapidly.
Blinking green 	Battery is charged up to 90% or greater capacity.
Solid green 	Battery is charged to 95% or greater capacity.
Blinking red 	Battery is at fault.  NOTE: Remove and re-insert the battery to the charger pocket.
Blinking amber 	Battery is in standby mode waiting to be charged.  NOTE: Battery might be too hot, too cold, or low voltage.

2.3 Combining the Multi-Unit Chargers

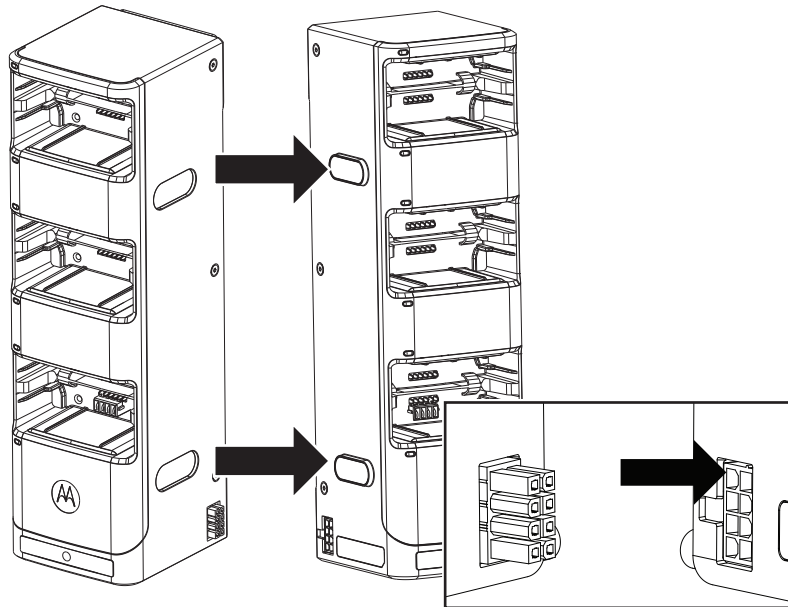
Prerequisites: The maximum number of multi-unit charger that can be combined is two.

Procedure:

1. Place the chargers on the table for support before combining them.
2. To extend the connector, press and push the male connector latch to the left.

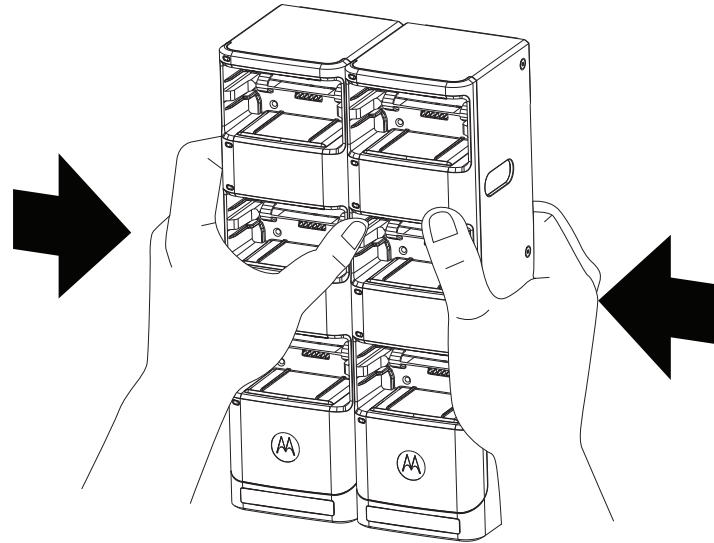


3. To combine the chargers, connect the male connector to the female connector.



The magnets of the chargers hold them together when connected.

4. Hold the sides of the combined chargers when moving to another location.

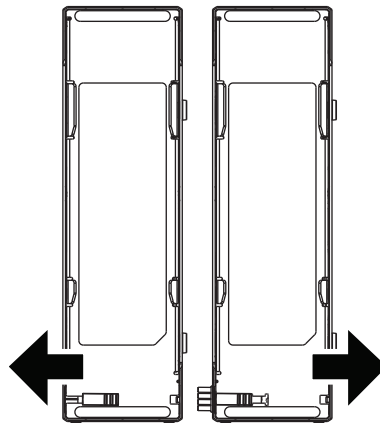


2.4

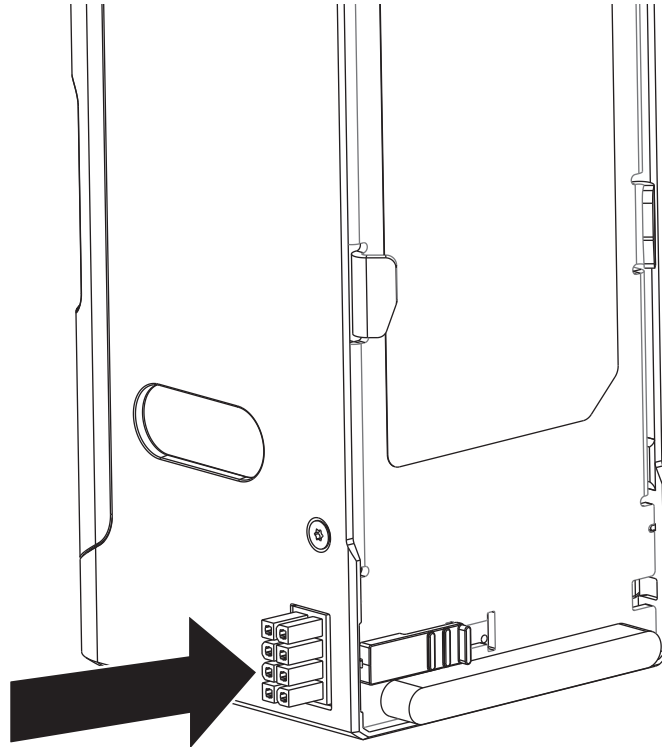
Separating the Multi-Unit Chargers

Procedure:

1. Place the combined chargers on the table.
2. To separate the combined chargers, pull each of the chargers apart.



NOTE: Do not twist the charger while pulling them apart to avoid damaging the connectors.




3. To retract the male connector back into the charger, press the male connector latch and push to the right.

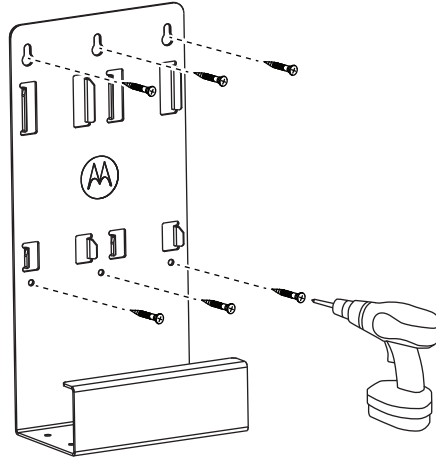
2.5


Mounting the Mounting Bracket to the Wall

The mounting bracket is an optional equipment. See [Optional Equipment on page 9](#) for more information.

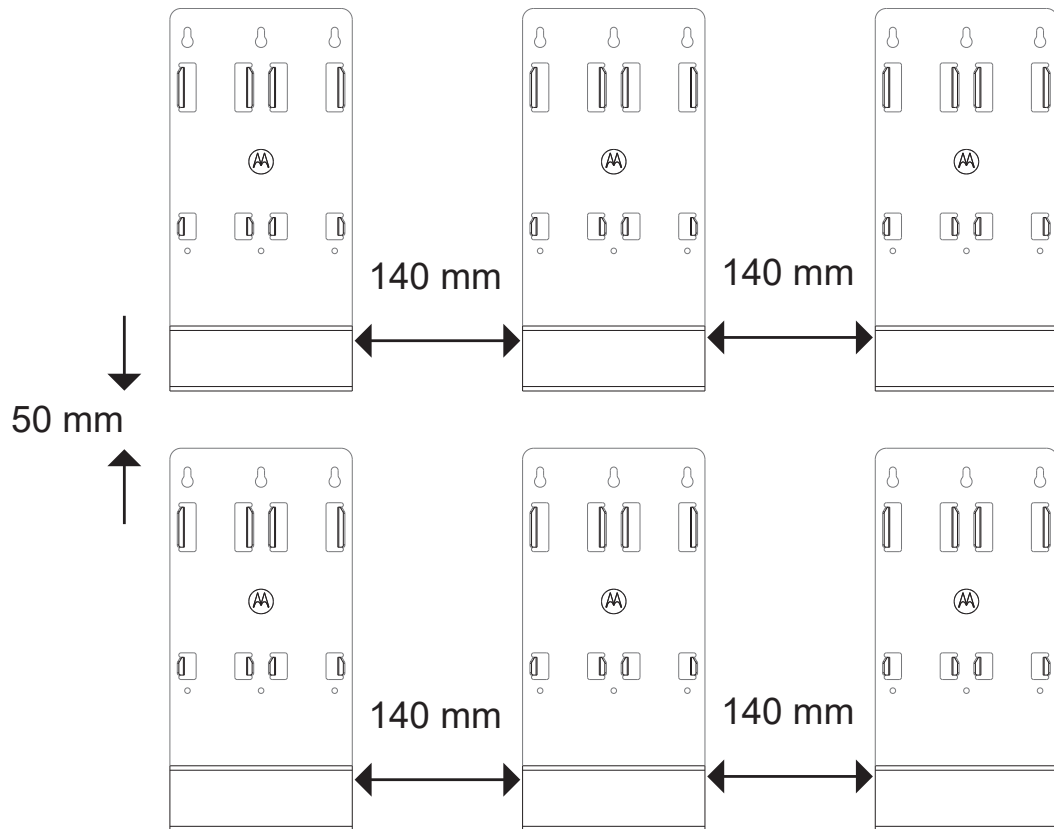
Procedure:

1. Position the bracket and mark the location of the mounting holes on the wall surface.
 **CAUTION:** Ensure that the area behind the mounting surface is free from electrical wires, cables, or pipes before cutting, drilling, or installing the mounting screws.
2. Mount the bracket to the wall using appropriate mounting hardware such as drywall anchors. The top mounting holes have a sliding feature for easier mounting.
3. Drill based on the mounting holes markings on the wall.
4. To secure the bracket, install the mounting hardware over the mounting holes on the bracket tightly.



 **NOTE:** It is recommended to use a 10–16 x 1.5 inch. tapping screw and washer (not included) on the wood stud and solid-flat concrete or brick wall.

5. Mount any additional brackets with a minimum distance of 50 mm vertically and 140 mm horizontally from each other.


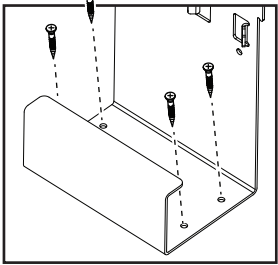
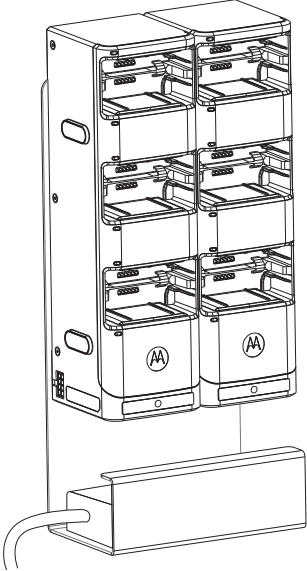


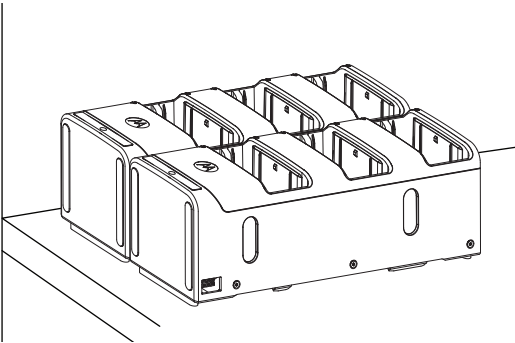
2.6

Preparing Chargers for Desktop Charging

Procedure:

Prepare charger for desktop charging by performing one of the following actions:

Option	Action
Charging with mounting bracket	<p data-bbox="706 485 852 514"> NOTE:</p> <ul data-bbox="771 527 1372 772" style="list-style-type: none">• If the charger is placed in a vertical position, it is recommended to place the charger on the mounting bracket to prevent it from toppling.• It is recommended to use 10–16x1.5 inch. tapping screw to mount the bracket onto table top.• Ensure that the screws do not penetrate through the table. <p data-bbox="706 789 1161 819">a. Screw the wall bracket to the table.</p>  <p data-bbox="706 1157 1299 1186">b. Place the power supply inside the wall bracket.</p> 

Option	Action
Charging without metal bracket	<p>a. Place the charger horizontally.</p> 

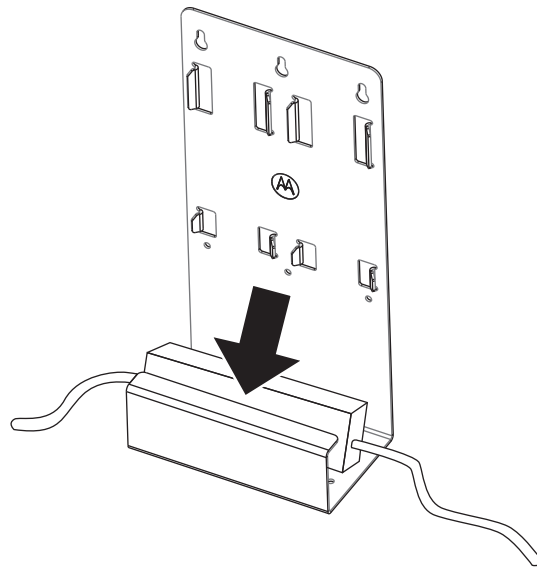
2.7

Preparing Chargers for Vertical Charging Position

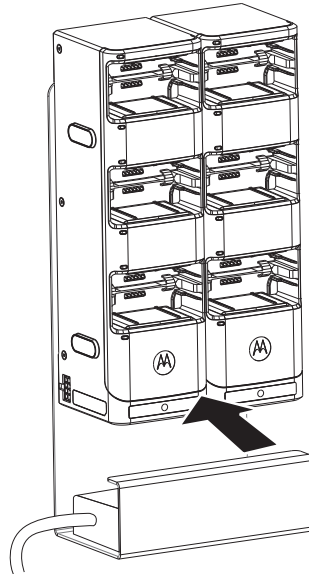
Prerequisites: Ensure that the mounting bracket is mounted to the wall, and chargers are combined before mounting into the mounting bracket.

Procedure:

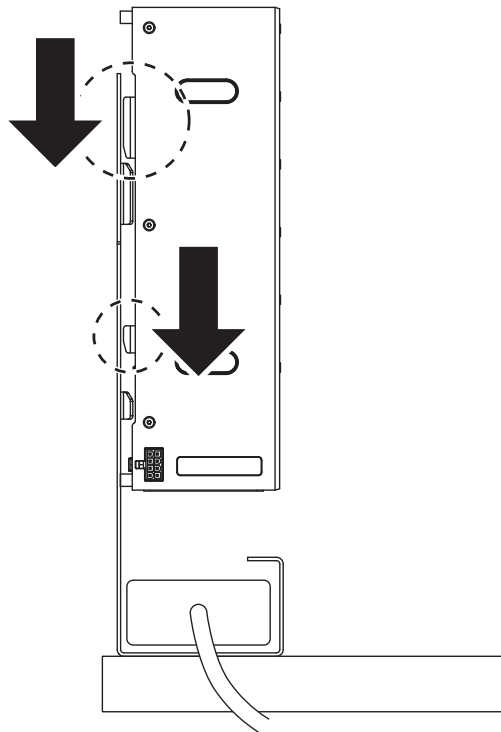
1. Place the power supply adapter into the mounting bracket.



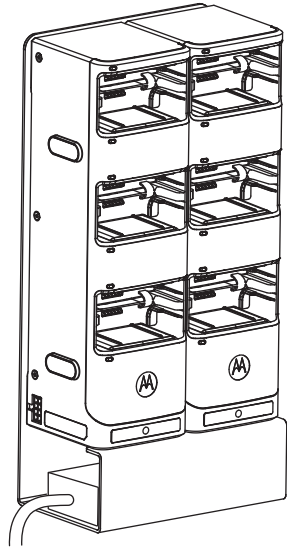
2. Place and lean the charger to the bracket.



3. Align the back rails on the charger with the rails on the mounting bracket.
4. Slide the charger downwards to attach with both rails.



5. Ensure that both rails are attached before releasing the charger.



Guide d'utilisation du multichargeur L6Q PMPN4003

OCTOBRE 2023

© 2023 Motorola Solutions, Inc. All Rights Reserved.



MN010173A01-AA

Table des matières

Sécurité et aspect juridique.....	3
Chapitre 1 : Présentation du chargeur.....	7
1.1 Aperçu des accessoires du chargeur.....	8
1.2 Batteries, cordons d'alimentation et blocs d'alimentation autorisés.....	8
1.3 Équipement en option.....	9
Chapitre 2 : Fonctionnement du chargeur.....	10
2.1 Charge des batteries.....	10
2.2 Indications de charge.....	11
2.3 Combinaison de multichargeurs.....	11
2.4 Séparation des multichargeurs.....	13
2.5 Montage du support de fixation au mur.....	14
2.6 Préparation des chargeurs pour la charge sur table.....	16
2.7 Préparation des chargeurs pour la charge en position verticale.....	17

Sécurité et aspect juridique

Cette section contient des informations légales et de sécurité relatives à ce produit.

Marques de certification



Adresse de communication

European Union Contact

Motorola Solutions,
Czerwone Maki 82,
30-392 Krakow, Poland

Propriété intellectuelle et avis réglementaires

Droits d'auteur

Les produits Motorola Solutions décrits dans ce document peuvent inclure des programmes informatiques Motorola Solutions protégés par un copyright. Les lois des États-Unis et d'autres pays garantissent certains droits exclusifs à Motorola Solutions pour ces programmes informatiques protégés par un copyright. En conséquence, il est interdit de copier ou de reproduire, de quelque manière que ce soit, les programmes informatiques Motorola Solutions protégés par un copyright contenus dans les produits Motorola Solutions décrits dans ce document sans l'autorisation expresse et écrite de Motorola Solutions.

Aucune partie du présent document ne peut être reproduite, transmise, stockée dans un système de récupération ou traduite dans toute autre langue ou tout autre langage informatique, sous quelque forme ou par quelque moyen que ce soit, sans l'autorisation écrite préalable de Motorola Solutions, Inc.

Marques de commerce

MOTOROLA, MOTO, MOTOROLA SOLUTIONS, and the Stylized M Logo are trademarks or registered trademarks of Motorola Trademark Holdings, LLC and are used under license. All other trademarks are the property of their respective owners.

Droits de licence

L'acquisition de produits Motorola Solutions ne saurait en aucun cas conférer de licence, directement, indirectement ou de toute autre manière, en vertu des droits d'auteur, brevets ou demandes de brevet appartenant à Motorola Solutions, autres que la licence habituelle d'utilisation non exclusive et libre de droit qui découle légalement de la vente du produit.

Contenu à code source libre

Ce produit peut contenir des logiciels libres utilisés sous licence. Reportez-vous au support d'installation du produit pour obtenir tous les avis juridiques relatifs aux logiciels libres et aux contenus d'attribution.

Directive relative aux déchets d'équipements électriques et électroniques (DEEE) pour l'Union européenne et pour le Royaume-Uni



La directive DEEE de l'Union européenne et les réglementations DEEE du Royaume-Uni exigent que les produits (ou leur emballage, dans certains cas) vendus dans les pays de l'UE ou au Royaume-Uni portent l'étiquette de la poubelle barrée. Comme le définit la directive DEEE, cette étiquette de poubelle barrée signifie que les clients et les utilisateurs finaux dans les pays de l'UE et du Royaume-Uni ne doivent pas jeter les équipements électriques et électroniques ou leurs accessoires dans les ordures domestiques.

Les clients ou les utilisateurs finaux au sein de l'UE et du Royaume-Uni doivent prendre contact avec le représentant local du fournisseur de leur équipement ou le centre de service pour obtenir des informations sur le système de collecte des déchets dans leur pays.

Avis de non-responsabilité

Notez que certaines fonctionnalités, fonctions et caractéristiques décrites dans ce document peuvent ne pas s'appliquer ou faire l'objet d'une licence pour une utilisation sur un système spécifique, ou peuvent dépendre des caractéristiques d'une unité d'abonné mobile spécifique ou de la configuration de certains paramètres. Contactez votre représentant Motorola Solutions pour en savoir plus.

© 2023 Motorola Solutions, Inc. All Rights Reserved

Déclaration de conformité du fournisseur

Déclaration de conformité du fournisseur

Règlement CFR 47, partie 2, section 2.1077(a) de la FCC



Partie responsable

Nom : Motorola Solutions, Inc.

Adresse : 2000 Progress Pkwy, Schaumburg, IL. 60196

Numéro de téléphone : 1 800 927-2744

Déclare par les présentes que le produit :

Nom du modèle : **Multichargeur**

sont conformes aux réglementations suivantes :

Partie 15, sous-partie B, article 15.107(a) et article 15.109(a) des règlements de la FCC

Appareil numérique de classe B

Cet appareil est conforme aux stipulations de la partie 15 des règlements de la FCC. Son utilisation est assujettie aux deux conditions suivantes :

1. Cet appareil ne doit pas causer d'interférence nuisible; et

2. Cet appareil doit accepter toute interférence reçue, y compris les interférences pouvant entraîner un fonctionnement indésirable.



REMARQUE :

Cet équipement a fait l'objet de tests et a été déclaré conforme aux limites établies pour un appareil numérique de classe B, conformément à la partie 15 des règlements de la FCC. Ces limites sont fixées afin d'offrir une protection suffisante contre des interférences nuisibles dans une installation résidentielle. Cet équipement génère, utilise et peut émettre de l'énergie de radiofréquence et, s'il n'est pas installé ou utilisé conformément aux instructions, il peut provoquer un brouillage nuisible aux communications radio. Cependant, il est impossible de garantir qu'il n'y aura aucune interférence dans une installation particulière.

Si cet appareil cause une interférence nuisible à la réception de la radio ou de la télévision, ce qui peut être déterminé en éteignant et en allumant l'appareil, vous êtes encouragé à remédier à la situation en prenant une ou plusieurs des mesures suivantes :

- Réorienter ou déplacer l'antenne réceptrice.
- Augmenter la distance entre l'équipement et le récepteur.
- Brancher l'appareil dans une autre prise sur un circuit différent de celui du récepteur.
- Consulter le distributeur ou un technicien de radio ou de télévision chevronné pour obtenir de l'aide.

Pour l'Australie seulement

Cette disposition s'applique aux produits et services fournis par Motorola Solutions aux consommateurs au sens de la Australian Consumer Law. Cette garantie est fournie par Motorola Solutions Australia Pty Limited (ABN16 004 742 312) of Tally Ho Business Park, 10 Wesley Court, Burwood East, Victoria. Nos produits comprennent des garanties qui ne peuvent pas être exclues en vertu de l'Australian Consumer Law. En cas de défaillance majeure du service, vous avez le droit :

- d'annuler votre contrat de service avec nous; et
- d'obtenir un remboursement de la partie inutilisée ou un dédommagement pour sa valeur réduite.

Vous avez le droit de choisir un remplacement ou un remboursement en cas de défaillance majeure des biens. Si le montant total de la défaillance des biens ou des services ne correspond pas à celui d'une défaillance majeure, vous avez le droit de faire corriger cette défaillance dans un délai raisonnable. Si ce n'est pas fait, vous avez droit à un remboursement pour les biens, à la résiliation du contrat pour le service et au remboursement de toute partie inutilisée. Vous avez également le droit d'être indemnisé pour toute autre perte ou tout dommage raisonnablement prévisible résultant d'une défaillance des biens ou des services. Si vous avez des questions, veuillez communiquer avec Motorola Solutions Australia au 1 800 457-439. Vous pouvez également visiter notre site Web : pour connaître les modalités de la garantie en vigueur, accédez à https://www.motorolasolutions.com/fr_ca/support.html.

Instructions importantes sur la sécurité

Ce document contient des instructions d'utilisation et de sécurité importantes.

Avant d'utiliser le chargeur de batterie, lisez toutes les directives et les marques d'avertissement sur le chargeur et la batterie.



AVERTISSEMENT :

Veillez lire attentivement cette notice et la conserver pour vous y référer ultérieurement.

- Pour réduire les risques d'endommager le cordon d'alimentation, tirez sur la prise et non sur le cordon au moment de le débrancher de la prise c.a. ou du chargeur.
- Pour réduire les risques d'incendie ou de décharge électrique, évitez d'utiliser une rallonge. Si une rallonge doit être utilisée, assurez-vous que le format du cordon est de calibre 18 lorsque sa longueur est de 2 m (6,5 pi) ou moins et de calibre 16 lorsque sa longueur est de 3 m (9,8 pi).
- Pour réduire les risques d'incendie, de décharge électrique ou de blessure, n'utilisez pas le chargeur s'il est cassé ou endommagé. Confiez-le à un technicien de maintenance Motorola Solutions agréé.
- Pour réduire les risques d'incendie ou de décharge électrique, ne démontez pas le chargeur. Il ne peut pas être réparé et aucune pièce de rechange n'est disponible.
- Pour réduire les risques de décharge électrique, débranchez l'adaptateur d'alimentation du chargeur de la prise secteur avant de procéder à une maintenance ou à un nettoyage.
- Pour réduire les risques de blessure, chargez uniquement des batteries rechargeables agréées. D'autres batteries peuvent exploser, causant des blessures et des dommages.
- Pour réduire les risques d'incendie, de décharge électrique ou de blessure, utilisez uniquement les accessoires recommandés par Motorola Solutions.
- Tout changement apporté à cet appareil non expressément approuvé par Motorola Solutions peut entraîner la révocation du droit d'utiliser cet appareil.

Directives d'utilisation sécuritaire

- Cet appareil n'est pas adapté à une utilisation en extérieur. Utiliser exclusivement dans un endroit sec et sans risque d'humidité.
- La température ambiante maximale autour du chargeur ne doit pas dépasser 40 °C (104 °F).
- Branchez le chargeur uniquement au moyen du cordon d'alimentation approprié indiqué dans la liste des *Cordons d'alimentation approuvés par Motorola*.
- La prise de courant à laquelle le cordon d'alimentation est branché doit se trouver à proximité et être facilement accessible.
- Assurez-vous que le cordon d'alimentation est placé à un endroit où il ne sera pas piétiné ou endommagé et ne sera pas exposé à une source d'humidité ou de stress.
- Connectez le cordon d'alimentation uniquement à une prise secteur correctement câblée, protégée par un fusible et dont la tension est correcte, comme indiqué sur le produit.

Avis de non-responsabilité

L'information contenue dans le présent document a été examinée avec soin et est considérée comme étant entièrement fiable. Cependant, nous n'assumons aucune responsabilité en cas d'inexactitude.

De plus, Motorola Solutions se réserve le droit d'apporter des modifications à tout produit afin d'en améliorer la lisibilité, la fonctionnalité ou la conception. Motorola Solutions n'assume aucune responsabilité quant aux applications ou à l'utilisation des produits et circuits décrits dans le présent document, pas plus qu'elle ne se porte garante des licences exploitées en vertu de ses droits de brevet ou des droits d'un tiers.

Chapitre 1

Présentation du chargeur

Figure 1 : Présentation du chargeur

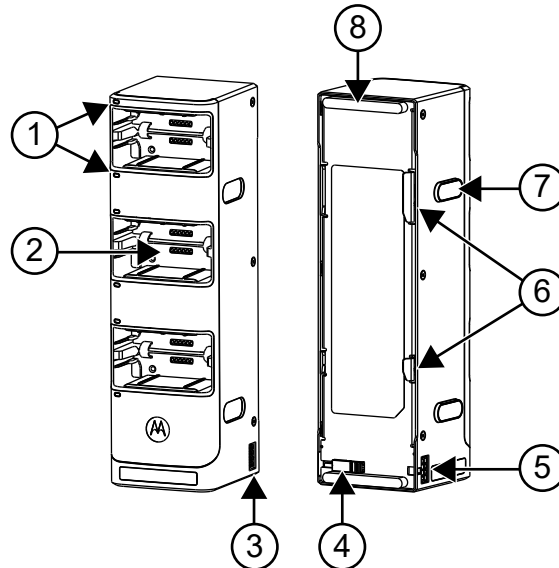


Tableau 1 : Présentation du chargeur

Étiquette	Description
1	Voyant DEL
2	Logement de charge
3	Connecteur mâle
4	Loquet du connecteur mâle
5	Connecteur femelle
6	Rails de support de montage
7	Aimant
8	Pied en caoutchouc

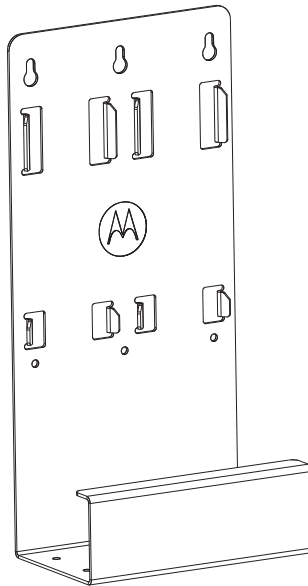
Tableau 2 : Caractéristiques du chargeur

ENTRÉE	SORTIE
15 V $\overline{\text{---}}$, 6 A (jusqu'à 2 multichargeurs)	4,35 V $\overline{\text{---}}$, 1,25 A x 6 logements

1.1

Aperçu des accessoires du chargeur

Figure 2 : Aperçu du support de fixation (numéro de pièce : BR000628A01)



1.2

Batteries, cordons d'alimentation et blocs d'alimentation autorisés

Tableau 3 : Batteries approuvées par Motorola Solutions

Numéro de pièce	Description	Séries
PMPN4546	Batterie au lithium-ion, 5000 mAh	L6Q

Tableau 4 : Cordons d'alimentation approuvés par Motorola

Numéro de pièce	Description
3087791G01	Cordon d'alimentation, Amérique du Nord
3087791G04	Cordon d'alimentation, Europe
3087791G07	Cordon d'alimentation, Royaume-Uni
3087791G10	Cordon d'alimentation, Australie/Nouvelle-Zélande
3087791G13	Cordon d'alimentation, Argentine
3087791G22	Cordon d'alimentation, Brésil

Tableau 5 : Bloc d'alimentation approuvé par Motorola Solutions

Trousse du chargeur	Bloc d'alimentation	Description	Module
PMPN4003	PS000242A04	Externe, 90 W, 100 à 240 V	Jusqu'à deux multichargeurs

1.3

Équipement en option

Un support de fixation (numéro de pièce : BR000628A01) est disponible pour le multichargeur. Communiquez avec votre détaillant pour commander cet article. Voir [Montage du support de fixation au mur à la page 14](#) pour les instructions d'installation.



AVERTISSEMENT :

- Ce support de fixation doit être installé par un technicien formé et expérimenté. Faire installer le produit par un technicien non spécialisé est dangereux et peut mener à des dommages ou à des blessures.
- Ne pas installer le produit là où son poids ne peut pas être supporté. Si la surface d'installation du support n'est pas assez solide, le support peut tomber et causer des blessures.
- Ne pas installer le support de montage sur une structure sujette à des vibrations ou au mouvement, ou encore, qui risque de subir des impacts.

Chapitre 2

Fonctionnement du chargeur

Cette section contient les informations de charge de votre chargeur.

2.1

Charge des batteries

Préalables :

utilisez uniquement des batteries Motorola Solutions autorisées. Chargez vos batteries à température ambiante. Utilisez uniquement le chargeur attribué lorsque vous chargez les batteries prises en charge.

Procédure :

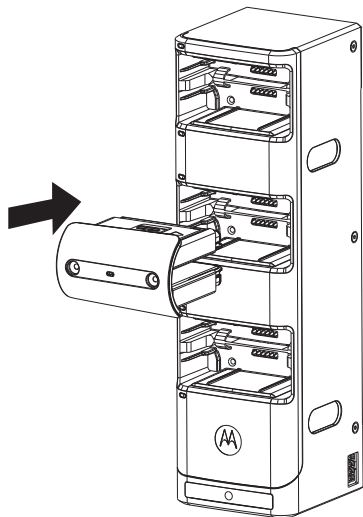
1. Posez le multichargeur horizontalement sur une surface plane.



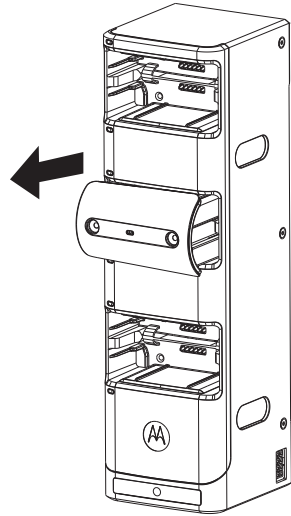
REMARQUE :

Si vous avez plus d'un multichargeur, il est recommandé de placer le multichargeur en position verticale et monté sur le support de montage.

2. Insérez l'adaptateur du bloc d'alimentation dans le connecteur femelle du multichargeur.
3. Branchez l'adaptateur du bloc d'alimentation à la prise de courant.
Lorsque le multichargeur est allumé, le voyant lumineux s'allume en vert pendant une seconde.
Si le multichargeur ne s'allume pas, vérifiez le branchement du cordon d'alimentation.
4. Alignez les batteries sur le support de batterie et insérez-les dans le compartiment du chargeur.











5. Assurez-vous que la batterie est en contact avec la borne du chargeur.
Si la batterie est correctement insérée et qu'elle est en cours de charge en mode de charge rapide, le voyant DEL s'allume en rouge.
6. Pour retirer les supports de batterie du chargeur, retirez-les du compartiment.



2.2

Indications de charge

Tableau 6 : Indications de charge

Indication du chargeur		Description
Vert fixe pendant une seconde		Le chargeur est allumé.
Rouge fixe		La batterie se charge rapidement.
Vert clignotant		Batterie chargée à 90 % ou plus.
Vert fixe		La batterie est chargée à 95 % ou plus.
Rouge clignotant		La batterie est défectueuse.  REMARQUE : Retirez et réinsérez la batterie dans le logement du chargeur.
Orange clignotant		La batterie est en mode veille et attend d'être chargée.  REMARQUE : La batterie est peut-être trop chaude ou trop froide, ou sa tension est faible.

2.3

Combinaison de multichargeurs

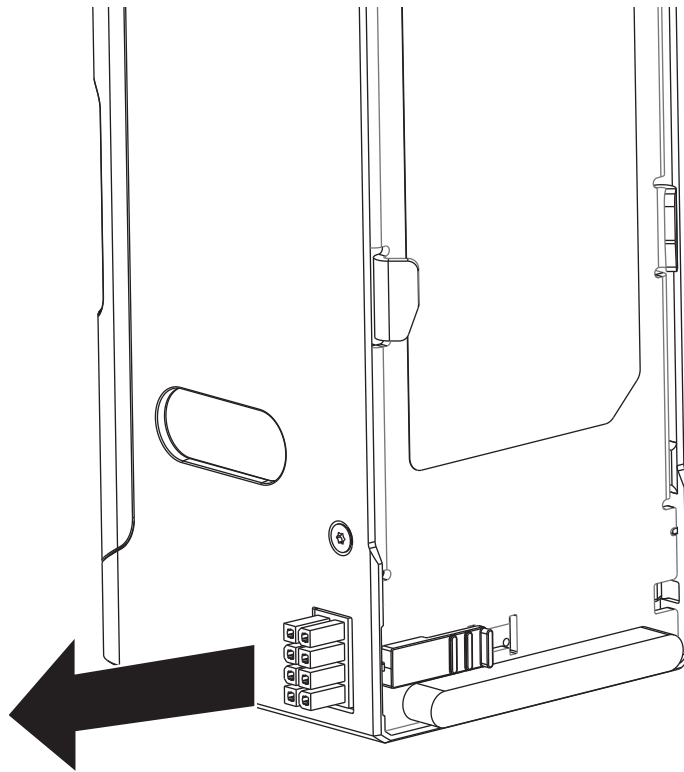
Préalables :

Il est possible de combiner deux multichargeurs au maximum.

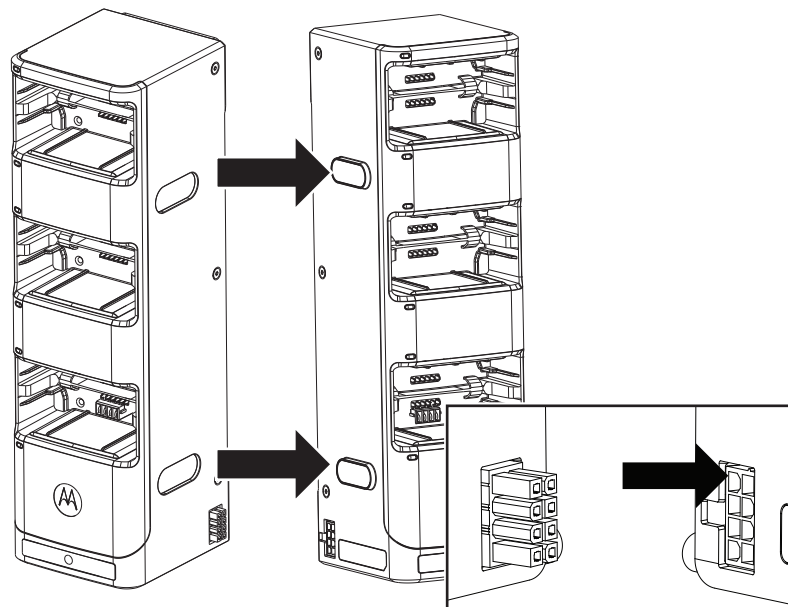
Procédure :

1. Placez les chargeurs sur la table avant de les combiner.

2. Pour étendre le connecteur, appuyez sur le loquet du connecteur mâle et poussez-le vers la gauche.

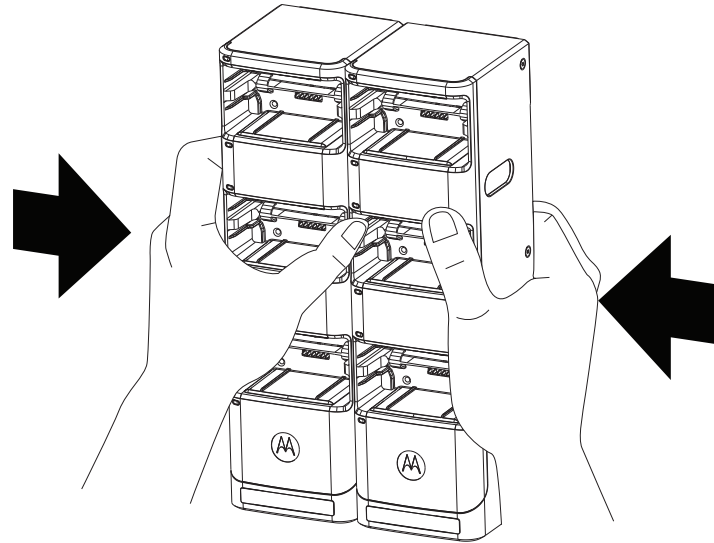


3. Pour combiner les chargeurs, branchez le connecteur mâle au connecteur femelle.



Les aimants des chargeurs les maintiennent accolés lorsqu'ils sont connectés.

4. Tenez les côtés des chargeurs combinés lorsque vous les déplacez vers un autre endroit.

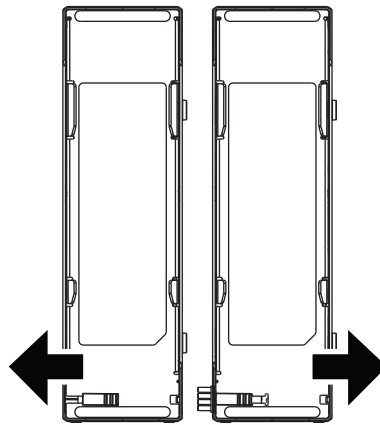


2.4

Séparation des multichargeurs

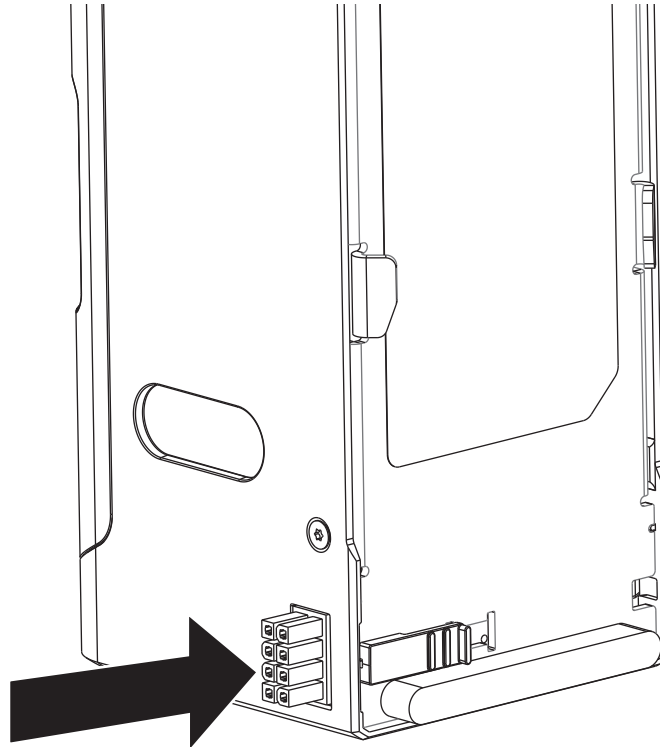
Procédure :

1. Placez les chargeurs combinés sur la table.
2. Pour séparer les chargeurs combinés, tirez sur les chargeurs pour les écarter l'un de l'autre.



REMARQUE :

N'exercez pas de torsion sur les chargeurs lorsque vous les séparez afin de ne pas endommager les connecteurs.



3. Pour insérer le connecteur mâle dans le chargeur, appuyez sur le loquet du connecteur mâle et poussez vers la droite.

2.5

Montage du support de fixation au mur

Le support de montage est un équipement facultatif. Consultez [Équipement en option à la page 9](#) pour plus d'information.

Procédure :

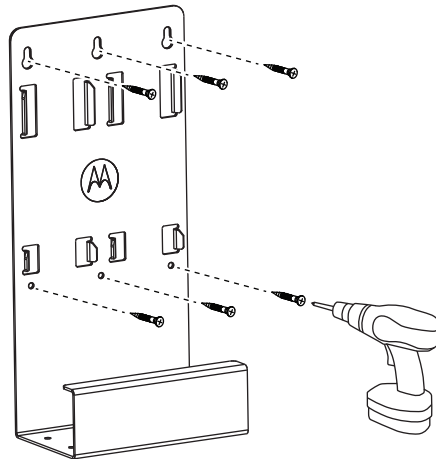
1. Positionnez le support et marquez l'emplacement des trous de montage sur le mur.



MISE EN GARDE :

Assurez-vous que l'espace situé derrière la surface de montage est bien libre de fils électriques, de câbles et de tuyaux avant de couper, percer ou installer les vis de montage.

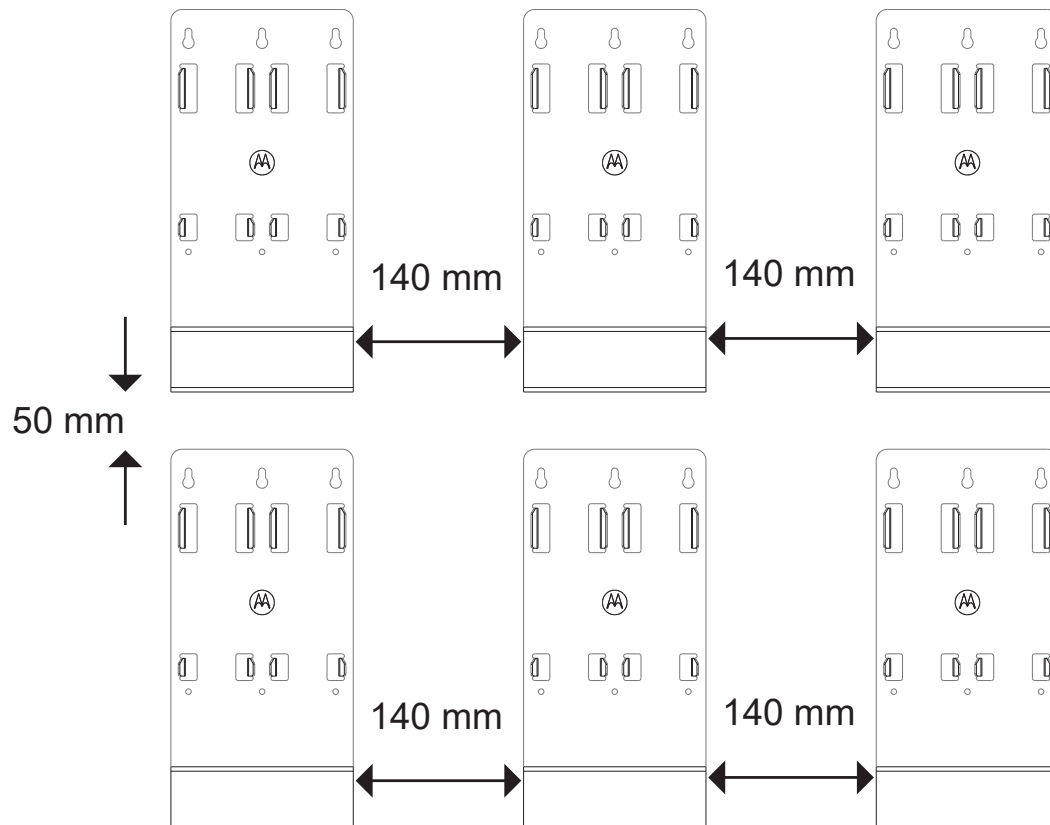
2. Montez le support au mur en utilisant du matériel de montage approprié (par ex. des chevilles). Les trous de montage supérieurs sont coulissants afin de faciliter le montage.
3. Percez les trous vis-à-vis des marques tracées sur le mur.
4. Pour fixer le support, installez fermement le matériel de fixation sur les trous de montage du support.



REMARQUE :

Il est recommandé d'utiliser une vis taraudeuse et une rondelle (non comprises) de 10-16 x 1,5 po sur le montant en bois et le mur de béton ou de brique massif plat.

5. Montez les supports supplémentaires avec une distance minimale de 50 mm verticalement et 140 mm horizontalement.


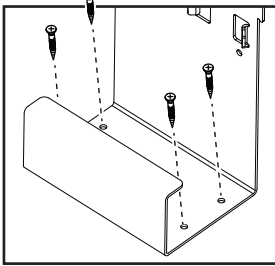
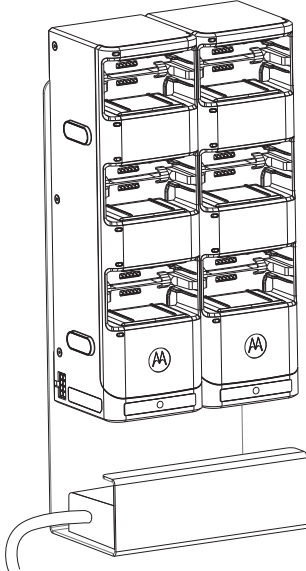


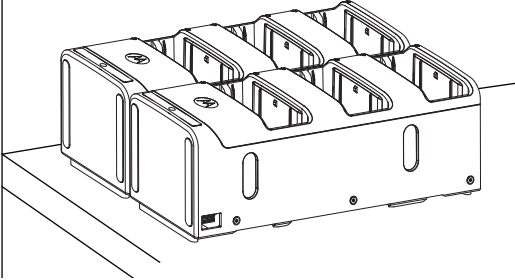
2.6

Préparation des chargeurs pour la charge sur table

Procédure :

Préparez le chargeur pour la charge sur table en effectuant l'une des actions suivantes :

Option	Action
Charge avec support de fixation	<p data-bbox="708 541 938 573"> REMARQUE :</p> <ul data-bbox="769 590 1370 863" style="list-style-type: none">● Si le chargeur est placé à la verticale, il est recommandé de le placer sur le support de fixation pour éviter qu'il bascule.● Il est recommandé d'utiliser une vis taraudeuse de 10-16 x 1,5 po pour fixer le support sur la surface de la table.● Assurez-vous que les vis ne pénètrent pas dans la table. <p data-bbox="699 884 1143 915">a. Vissez le support mural à la table.</p>  <p data-bbox="699 1251 1354 1314">b. Placez le bloc d'alimentation à l'intérieur du support mural.</p> 

Option	Action
Charge sans support métallique	<p>a. Placez le chargeur à l'horizontale.</p> 

2.7

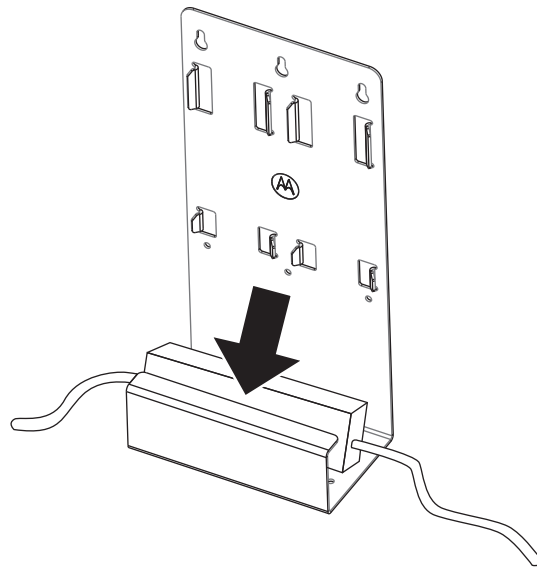
Préparation des chargeurs pour la charge en position verticale

Préalables :

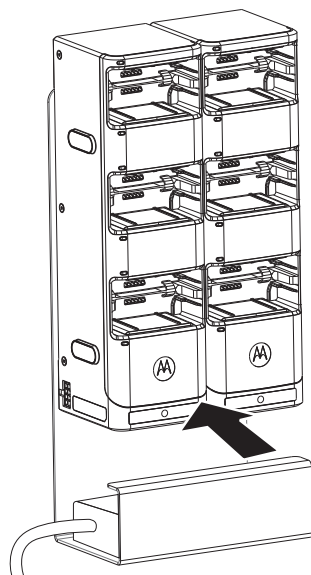
Assurez-vous que le support de fixation est fixé au mur et que les chargeurs sont combinés avant de les positionner dans le support de fixation.

Procédure :

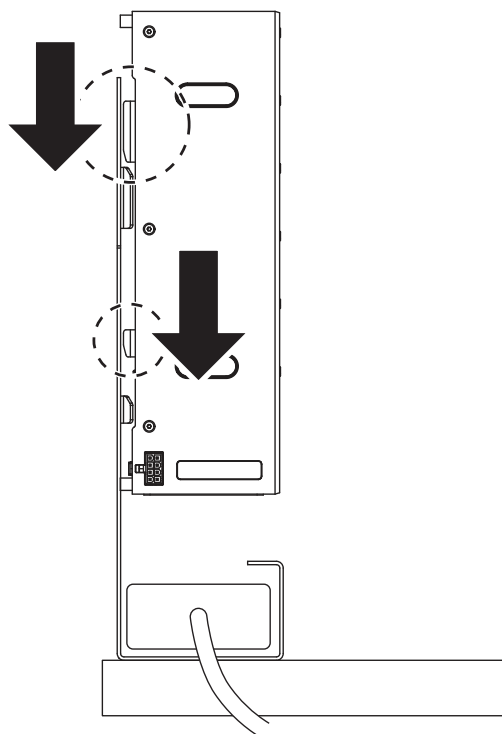
1. Placez l'adaptateur du bloc d'alimentation dans le support de montage.



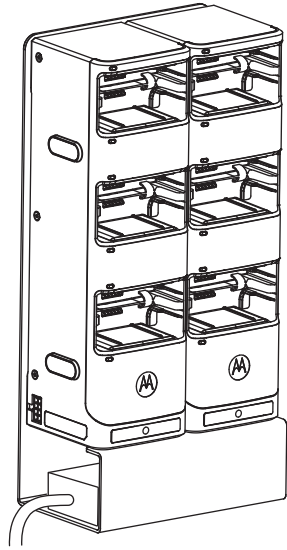
2. Placez et inclinez le chargeur sur le support.



3. Aligned les rails arrière du chargeur avec les rails du support de fixation.
4. Faites glisser le chargeur vers le bas pour le fixer aux deux rails.



5. Assurez-vous que les deux rails sont fixés avant de relâcher le chargeur.



Guía del usuario del cargador para varias unidades L6Q PMPN4003

OCTUBRE DEL 2023

© 2023 Motorola Solutions, Inc. All Rights Reserved.



MN010173A01-AA

Contenido

Protección e información legal.....	3
Capítulo 1: Descripción general del cargador.....	7
1.1 Descripción general de los accesorios del cargador.....	8
1.2 Baterías autorizadas, cables de alimentación y fuentes de alimentación.....	8
1.3 Equipos opcionales.....	9
Capítulo 2: Funcionamiento del cargador.....	10
2.1 Carga de las baterías.....	10
2.2 Indicaciones de carga.....	11
2.3 Combinación de cargadores para varias unidades.....	12
2.4 Separación de cargadores para varias unidades.....	13
2.5 Montaje del soporte de montaje en la pared.....	15
2.6 Preparar los cargadores para una carga de escritorio.....	17
2.7 Preparar los cargadores para una posición de carga vertical.....	18

Protección e información legal

Esta sección contiene información sobre la protección y los aspectos legales de este producto.

Marcas de certificación



Dirección de contacto

European Union Contact

Motorola Solutions,
Czerwone Maki 82,
30-392 Krakow, Poland

Propiedad intelectual y avisos normativos

Derechos de autor

Entre los productos de Motorola Solutions que se describen en esta documentación, se pueden incluir programas informáticos de Motorola Solutions que están protegidos por derechos de autor. Las leyes de Estados Unidos y de otros países preservan para Motorola Solutions ciertos derechos exclusivos sobre los programas informáticos protegidos por derechos de autor. Del mismo modo, los programas informáticos protegidos por derechos de autor de Motorola Solutions incluidos en los productos de Motorola Solutions descritos en esta guía no se podrán copiar ni reproducir de ninguna forma sin el expreso consentimiento por escrito de Motorola Solutions.

Ninguna parte de este documento se puede reproducir, transmitir, almacenar en un sistema recuperable ni traducir a ningún idioma ni lenguaje informático, de ninguna forma ni por ningún medio, sin la autorización expresa por escrito de Motorola Solutions, Inc.

Marcas comerciales

MOTOROLA, MOTO, MOTOROLA SOLUTIONS, and the Stylized M Logo are trademarks or registered trademarks of Motorola Trademark Holdings, LLC and are used under license. All other trademarks are the property of their respective owners.

Derechos de licencia

No se considerará que la compra de productos de Motorola Solutions otorgue, en forma directa, implícita, por exclusión ni de ningún otro modo, una licencia sobre los derechos de autor, las patentes o las solicitudes de patentes de Motorola Solutions, excepto la licencia normal, no exclusiva y libre de regalías de uso que surge por efecto de la ley de la venta de un producto.

Contenido de código abierto

Este producto puede contener un software de código abierto utilizado de conformidad con la licencia. Consulte los medios de instalación del producto para obtener el contenido completo de atribución y avisos legales de código abierto.

Directiva de Residuos de Aparatos Eléctricos y Electrónicos (RAEE) de la Unión Europea (UE) y el Reino Unido (RU)



En la directiva de RAEE de la Unión Europea y el Reino Unido se exige que los productos que se venden en los países de la UE y en el Reino Unido tengan la etiqueta de un bote de basura tachado sobre el producto (o en el paquete en algunos casos). Como se define en la directiva de RAEE, esta etiqueta con un bote de basura tachado indica que los clientes y los usuarios finales en los países de la UE y el Reino Unido no deben desechar equipos ni accesorios eléctricos y electrónicos en la basura doméstica.

Los clientes o los usuarios finales en los países de la UE y en el Reino Unido deben comunicarse con su representante distribuidor de equipos o centro de servicio locales para obtener información acerca del sistema de recolección de residuos de su país.

Exención de responsabilidad

Tenga en cuenta que determinadas funciones, características y capacidades que se describen en este documento podrían no ser aplicables o no tener licencia para su uso en un sistema específico, o bien pueden ser dependientes de las características de una unidad de suscriptor móvil específico o la configuración de ciertos parámetros. Comuníquese con un representante de Motorola Solutions para obtener más información.

© 2023 Motorola Solutions, Inc. All Rights Reserved

Declaración de conformidad del distribuidor

Declaración de conformidad del distribuidor

Conforme a la Comisión Federal de Comunicaciones (FCC), CFR 47, parte 2, Sección 2.1077(a)



Parte responsable

Nombre: Motorola Solutions, Inc.

Dirección: 2000 Progress Pkwy, Schaumburg, IL. 60196

Número de teléfono: 1-800-927-2744

Por la presente, se declara que el producto:

Nombre del modelo: **Cargador para varias unidades**

Cumple con las siguientes normativas:

FCC, parte 15, subparte B, sección 15.107(a) y sección 15.109(a)

Dispositivo digital de clase B

Este dispositivo cumple con la parte 15 de las normas de la FCC. El funcionamiento está sujeto a las siguientes dos condiciones:

1. Este dispositivo no puede provocar interferencia nociva.

2. Este dispositivo debe aceptar toda interferencia recibida, incluida aquella interferencia que pueda causar un funcionamiento no deseado.



NOTA:

Este equipo ha sido probado y se ha corroborado que respeta los límites estipulados para dispositivos digitales de clase B, conforme a lo dispuesto en la Parte 15 de las normas de la FCC. Estos límites están diseñados para ofrecer una protección razonable contra interferencias nocivas en una instalación residencial. Este equipo genera, utiliza y puede emitir energía de frecuencia radial y, si no se instala ni se utiliza según las instrucciones, puede causar interferencia nociva en las comunicaciones por radio. Sin embargo, no existe garantía de que no se producirá interferencia en una instalación específica.

En caso de que este equipo cause interferencia nociva en la recepción radial o televisiva, que se puede determinar mediante el encendido y el apagado del equipo, se recomienda intentar solucionar tal interferencia a través de una o varias de las medidas que se presentan a continuación:

- Cambie la orientación o la ubicación de la antena receptora.
- Aumente la distancia entre el equipo y el receptor.
- Conecte el equipo a un tomacorriente que esté en un circuito distinto del circuito al que se encuentra conectado el receptor.
- Comuníquese con el distribuidor o con un técnico capacitado en radios o televisiones para obtener ayuda.

Solo para Australia

Esta disposición se aplica a los productos y servicios proporcionados por Motorola Solutions en conformidad con la Ley Australiana de Protección al Consumidor. Esta garantía es emitida por Motorola Solutions Australia Pty Limited (ABN16 004 742 312) de Tally Ho Business Park, 10 Wesley Court, Burwood East, Victoria. Nuestros productos incluyen garantías que no pueden excluirse en virtud de la Ley del Consumidor de Australia. En el caso de fallas importantes en el servicio, tiene derecho a lo siguiente:

- Anular su contrato de servicio con nosotros.
- Un reembolso por la parte no utilizada o a recibir una compensación por la reducción en su valor.

Tiene derecho a elegir un reemplazo o reembolso por una falla importante en los bienes. Si una falla en los bienes o servicios no representa una deficiencia importante, tiene derecho a que se repare en un plazo razonable. Si esto no se realiza, tiene derecho a un reembolso de los bienes y a anular el contrato del servicio y obtener un reembolso por las partes no utilizadas. También tiene derecho a recibir compensación por cualquier otro daño o pérdida razonablemente previsible a causa de una falla en los bienes o servicios. Si tiene alguna pregunta, comuníquese con Motorola Solutions Australia al número 1800 457 439. También puede visitar nuestro sitio web: https://www.motorolasolutions.com/en_xa/support.html para conocer los términos actuales de la garantía.

Instrucciones de seguridad importantes

Este documento contiene instrucciones de seguridad y funcionamiento importantes.

Antes de usar el cargador de baterías, lea todas las instrucciones y las marcas de advertencia en el cargador y la batería.



ADVERTENCIA:

Lea atentamente estas instrucciones y consérvelas para referencia futura.

- Para reducir el riesgo de daños en el cable de alimentación, tire del enchufe en lugar del cable cuando lo desconecte del tomacorriente de CA o del cargador.
- Para reducir el riesgo de incendio o descarga eléctrica, evite utilizar un alargador. Si necesita utilizar un alargador, asegúrese de que el tamaño del cable sea de 18 AWG para longitudes de hasta 2 m (6,5 pies) y de 16 AWG para longitudes de hasta 3 m (9,8 pies).
- Para reducir el riesgo de incendio, descarga eléctrica o lesiones, no utilice el cargador si está roto o dañado. Llévelo a un representante de mantenimiento calificado de Motorola Solutions.
- Para reducir el riesgo de incendio o descarga eléctrica, no desarme el cargador. Este no se puede reparar y no hay piezas de repuesto disponibles.
- Para reducir el riesgo de descarga eléctrica, desenchufe el adaptador de corriente del cargador del tomacorriente de CA antes de intentar realizar cualquier tarea de mantenimiento o limpieza.
- Para reducir el riesgo de lesiones, cargue solo las baterías recargables autorizadas. Otras baterías pueden explotar, lo que puede causar lesiones personales y daños.
- Para reducir el riesgo de incendio, descarga eléctrica o lesiones, utilice solo accesorios recomendados por Motorola Solutions.
- Los cambios o las modificaciones que se realicen en este dispositivo, pero que no estén aprobados expresamente por Motorola Solutions, podrían anular el permiso del usuario para operar este equipo.

Pautas de seguridad operativa

- Este equipo no debe utilizarse en áreas exteriores. Utilícelo solo en lugares o condiciones secos.
- La temperatura ambiente máxima alrededor del cargador no debe exceder los 40 °C (104 °F).
- Conecte el cargador solo a un cable de alimentación adecuado que aparezca en la *Lista de cables de alimentación autorizados por Motorola Solutions*.
- El tomacorriente de CA, en la que está conectado el cable de alimentación, debe estar cerca de este y debe ser de fácil acceso.
- Asegúrese de que el cable de alimentación esté ubicado en lugares donde las personas no puedan pisarlo ni tropezarse con él, o bien en lugares donde el cable no esté expuesto a agua, daños o tensión.
- Conecte el cable de alimentación solo a un tomacorriente de CA con fusibles y cables con el voltaje correcto, tal y como se especifica en el producto.

Exención de responsabilidad

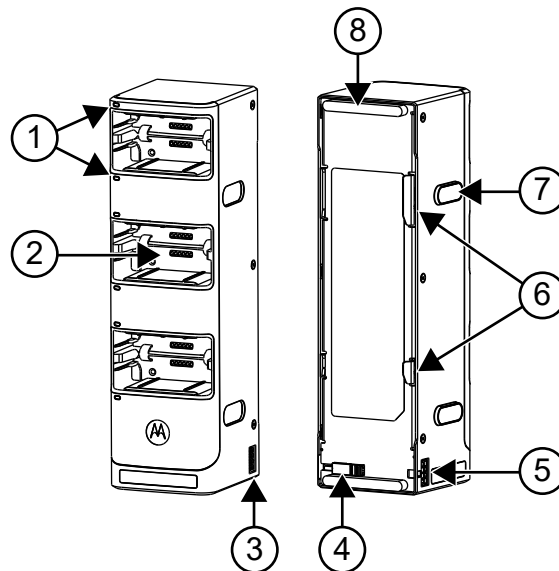
La información de este documento se revisó con atención y se considera altamente confiable. Sin embargo, no se asume responsabilidad en caso de imprecisiones.

Además, Motorola Solutions se reserva el derecho de cambiar cualquier producto para mejorar la legibilidad, la función o el diseño. Motorola Solutions no asume responsabilidad alguna por las consecuencias de la aplicación o el uso de cualquiera de los productos o circuitos descritos en el presente documento; tampoco cubre licencia alguna bajo sus derechos de patente ni los derechos de terceros.

Capítulo 1

Descripción general del cargador

Figura 1: Descripción general del cargador



Mesa 1: Descripción general del cargador

Etiqueta	Descripción
1	Indicador LED
2	Cavidad de carga
3	Conector macho
4	Pestillo del conector macho
5	Conector hembra
6	Rieles del soporte de montaje
7	Imán
8	Pata de goma

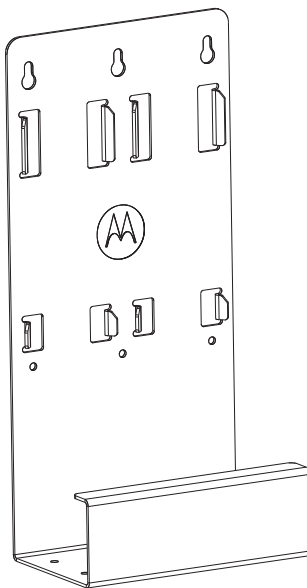
Mesa 2: Especificaciones del cargador

ENTRADA	SALIDA
15 V $\overline{\text{---}}$, 6 A (hasta 2 cargadores para varias unidades)	4,35 V $\overline{\text{---}}$, 1,25 A x 6 cavidades

1.1

Descripción general de los accesorios del cargador

Figura 2: Descripción general del soporte de montaje (número de pieza: BR000628A01)



1.2

Baterías autorizadas, cables de alimentación y fuentes de alimentación

Mesa 3: Baterías autorizadas por Motorola Solutions

Número de pieza	Descripción	Serie
PMPN4546	Batería de iones de litio, 5000 mAh	L6Q

Mesa 4: Cables de alimentación autorizados por Motorola Solutions

Número de pieza	Descripción
3087791G01	Cable de alimentación, Norteamérica
3087791G04	Cable de alimentación, Europa
3087791G07	Cable de alimentación, Reino Unido
3087791G10	Cable de alimentación, Australia/Nueva Zelanda
3087791G13	Cable de alimentación, Argentina
3087791G22	Cable de alimentación, Brasil

Mesa 5: Fuente de alimentación autorizada por Motorola Solutions

Kit de cargador	Fuente de alimentación	Descripción	Módulo
PMPN4003	PS000242A04	Externa de 90 W, de 100 a 240 V	Hasta dos cargadores para varias unidades

1.3

Equipos opcionales

Un soporte de montaje (número de pieza: BR000628A01) está disponible para el cargador para varias unidades. Comuníquese con un distribuidor para solicitar este artículo. Consulte [Montaje del soporte de montaje en la pared en la página 15](#) para obtener instrucciones de instalación.



ADVERTENCIA:

- Un técnico capacitado y experimentado debe instalar este soporte de montaje. Si un técnico no especializado instala el soporte de montaje, puede ser muy peligroso y provocar daños o lesiones.
- No instale el soporte de montaje en un lugar en el que no se pueda soportar el peso. Si la ubicación donde se encuentra instalado el soporte de montaje no es lo suficientemente resistente, este puede caerse y provocar lesiones.
- No instale el soporte de montaje en una estructura propensa a vibraciones, movimientos o posibilidades de impacto.

Capítulo 2

Funcionamiento del cargador

Esta sección contiene la información de carga del cargador.

2.1

Carga de las baterías

Requisitos:

Utilice solo baterías autorizadas por Motorola Solutions. Cargue las baterías a temperatura ambiente. Utilice solo el cargador asignado cuando cargue las baterías compatibles.

Procedimiento:

1. Coloque el cargador para varias unidades horizontalmente en una superficie plana.



NOTA:

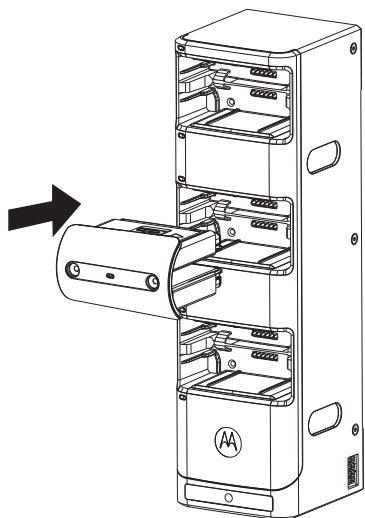
Si tiene más de un cargador para varias unidades, se recomienda colocar el cargador en una posición vertical montado en el soporte de montaje.

2. Inserte el adaptador de fuente de alimentación en el conector hembra del cargador para varias unidades.
3. Enchufe el adaptador de fuente de alimentación al tomacorriente.

Si el encendido del cargador para varias unidades se realiza correctamente, el LED se mostrará en verde durante un segundo.

Si el encendido del cargador para varias unidades no se realiza correctamente, compruebe la conexión del cable de alimentación.

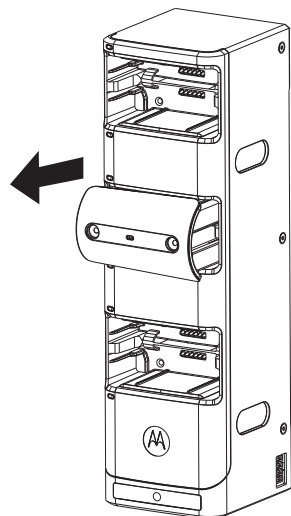
4. Alinee e inserte las dos baterías en la bandeja de baterías de la cavidad del cargador.



5. Asegúrese de que la batería toque los contactos del cargador.

Si la batería está insertada correctamente y se está cargando en el modo de carga rápida, el indicador LED se muestra en color rojo fijo.









- Para retirar las bandejas de la batería de la cavidad del cargador, tire de las bandejas de la batería de la cavidad.



2.2

Indicaciones de carga

Mesa 6: Indicaciones de carga

Indicación del cargador		Descripción
Verde fijo durante 1 segundo		El cargador se encendió correctamente.
Rojo fijo		La batería se está cargando rápidamente.
Verde intermitente		La batería se cargó en un 90 % o más.
Verde fijo		La batería se cargó en un 95 % o más.
Rojo intermitente		La batería presenta una falla. NOTA:  Retire y vuelva a insertar la batería en la cavidad del cargador.
Ámbar intermitente		La batería está en modo de espera, lista para ser cargada. NOTA:  Es posible que la batería esté demasiado caliente o demasiado fría, o que tenga bajo voltaje.

2.3

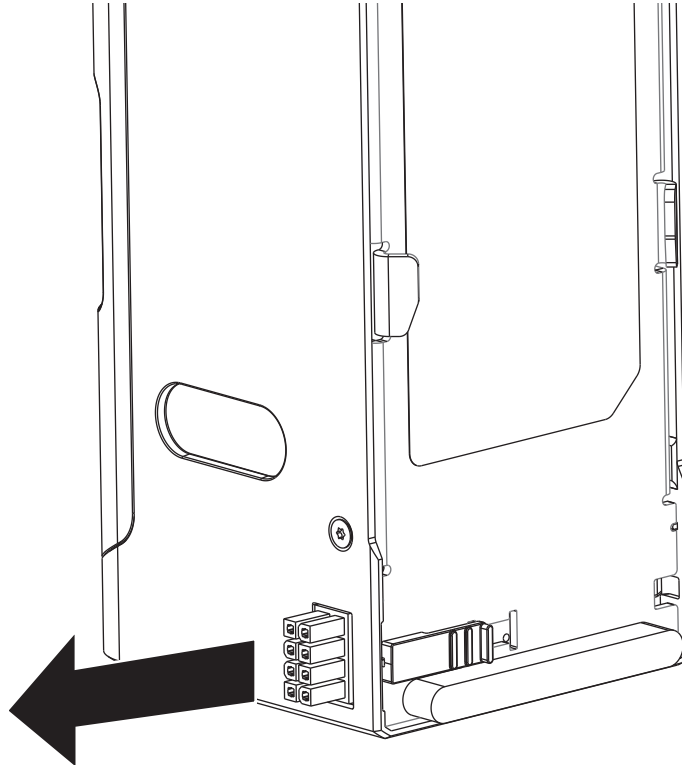
Combinación de cargadores para varias unidades

Requisitos:

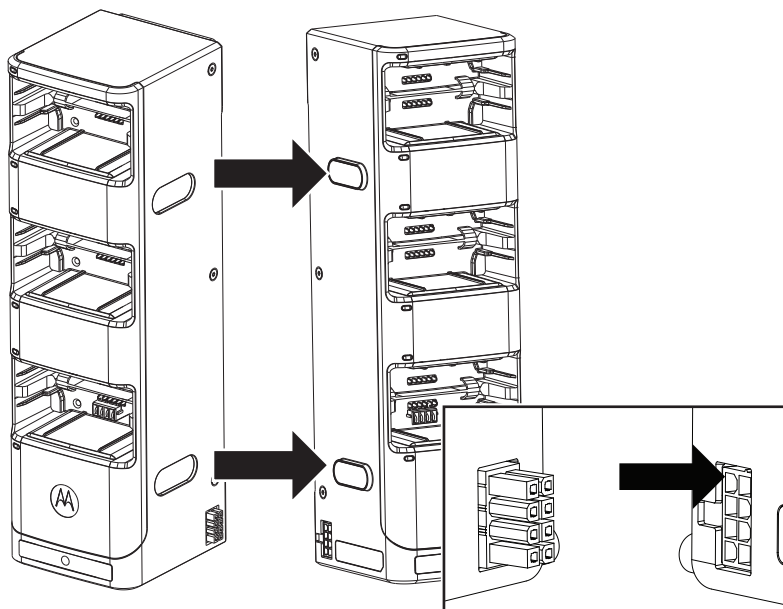
La cantidad máxima de cargadores para varias unidades que se puede combinar es dos.

Procedimiento:

1. Coloque los cargadores sobre la mesa para apoyarlos antes de combinarlos.
2. Para extender el conector, presione y empuje el seguro del conector macho hacia la izquierda.

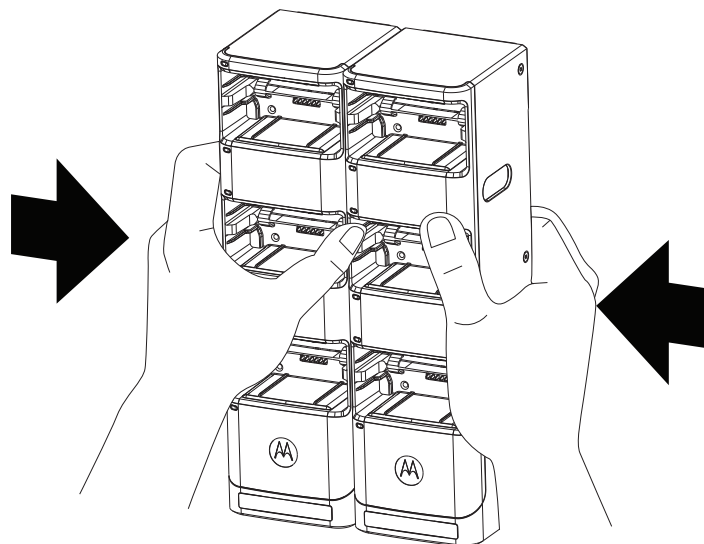


3. Para combinar los cargadores, enchufe el conector macho con el conector hembra.



Los imanes de los cargadores los mantienen juntos cuando están conectados.

4. Sujete los lados de los cargadores combinados cuando se mueva a otra ubicación.

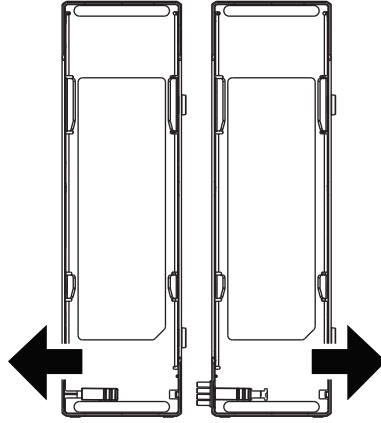


2.4

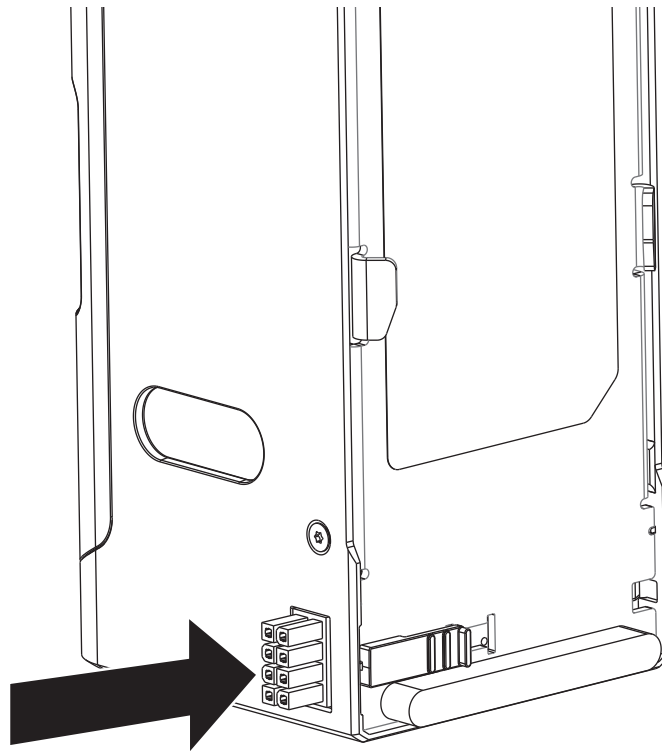
Separación de cargadores para varias unidades

Procedimiento:

1. Coloque los cargadores combinados sobre la mesa.
2. Para separar los cargadores combinados, tire de ambos para separarlos.



 **NOTA:** No gire el cargador mientras lo desconecta para evitar dañar los conectores.



3. Para retraer el conector macho en el cargador, presione el seguro del conector macho y empuje hacia la derecha.

2.5

Montaje del soporte de montaje en la pared

El soporte de montaje es un equipo opcional. Consulte [Equipos opcionales en la página 9](#) para obtener más información.

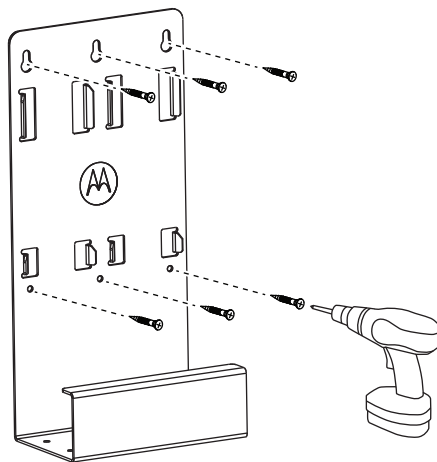
Procedimiento:

1. Coloque el soporte y marque la ubicación de los orificios de montaje en la superficie de la pared.



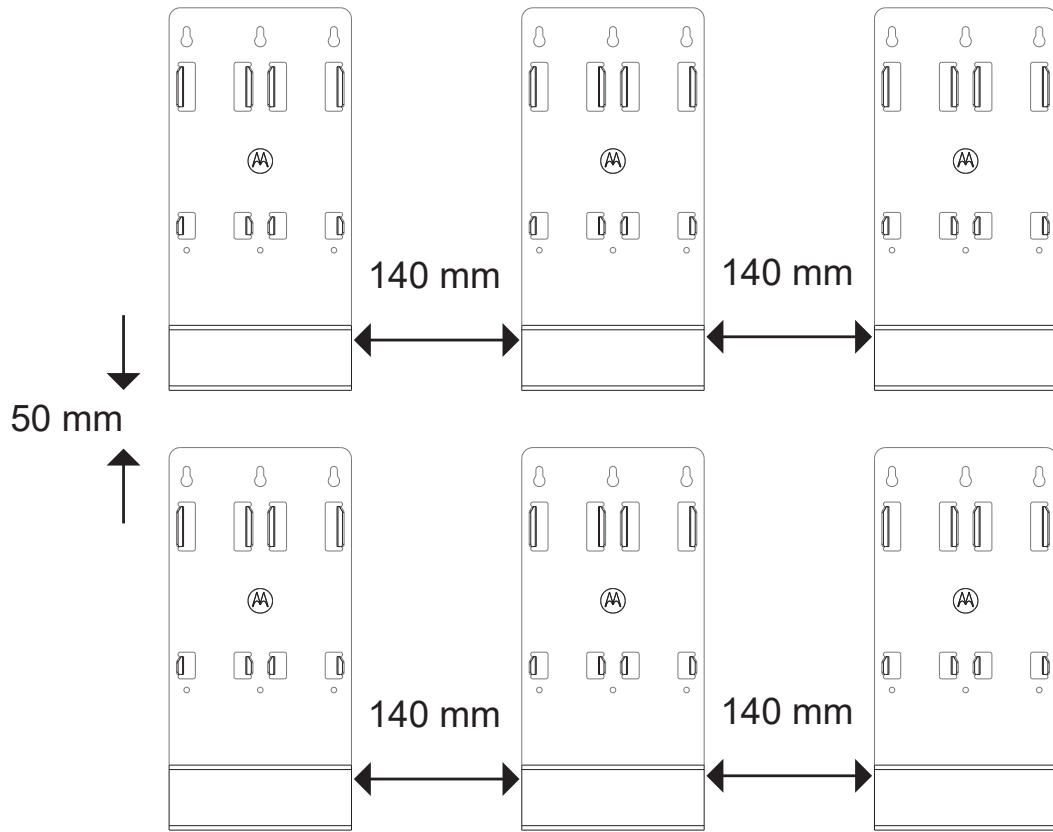
PRECAUCIÓN:

- Asegúrese de que el área detrás de la superficie de montaje esté libre de cables eléctricos, cables o tuberías antes de cortar, taladrar o instalar los tornillos de montaje.
2. Monte el soporte en la pared con las herramientas de montaje adecuadas, como anclajes de paneles de yeso. Los orificios de montaje superiores tienen una función deslizante para facilitar el montaje.
 3. Taladre según las marcas de los orificios de montaje en la pared.
 4. Para fijar el soporte, instale firmemente los accesorios de montaje sobre los orificios de montaje del soporte.



NOTA:

- Se recomienda utilizar un tornillo roscador de 10-16 x 1,5 pulg. y una arandela (no incluida) sobre la viga de madera y una pared de concreto sólido liso o de ladrillos.
5. Monte cualquier soporte adicional a una distancia mínima de 50 mm en posición vertical y 140 mm en posición horizontal entre sí.


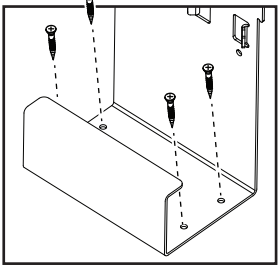
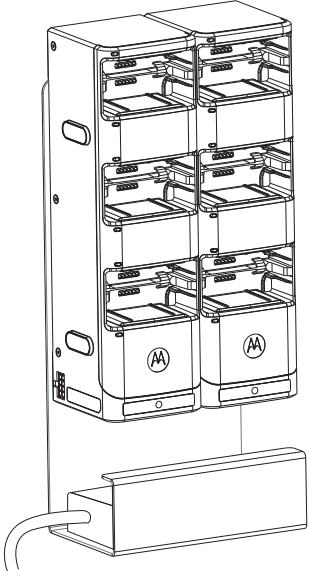


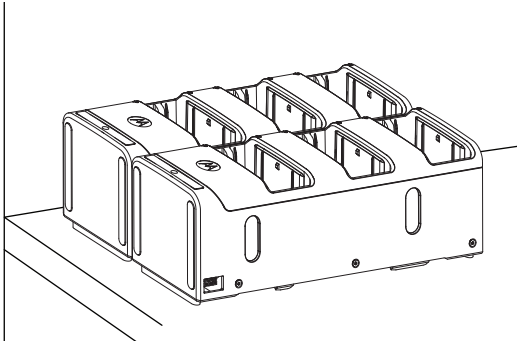
2.6

Preparar los cargadores para una carga de escritorio

Procedimiento:

Para preparar el cargador para una carga de escritorio, realice una de las siguientes acciones:

Opción	Acción
Carga con soporte de montaje	<p data-bbox="743 548 889 583"> NOTA:</p> <ul data-bbox="808 590 1409 867" style="list-style-type: none">● Si el cargador se coloca en posición vertical, se recomienda colocar el cargador en el soporte de montaje para evitar que se vuelque.● Se recomienda utilizar un tornillo roscador de 10-16 x 1,5 pulg. para montar el soporte encima de la mesa.● Asegúrese de que los tornillos no penetren a través de la mesa. <p data-bbox="743 884 1247 911">a. Atornille el soporte de pared a la mesa.</p>  <p data-bbox="743 1255 1409 1314">b. Coloque la fuente de alimentación dentro del soporte de pared.</p> 

Opción	Acción
Carga sin soporte de metal	a. Coloque el cargador horizontalmente. 

2.7

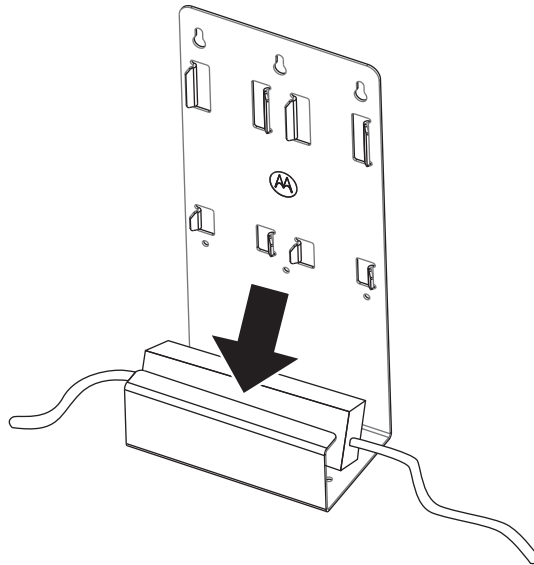
Preparar los cargadores para una posición de carga vertical

Requisitos:

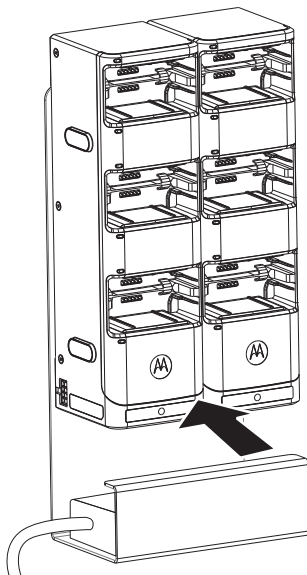
Asegúrese de que el soporte de montaje esté montado en la pared y que los cargadores estén combinados antes de montarlos en el soporte de montaje.

Procedimiento:

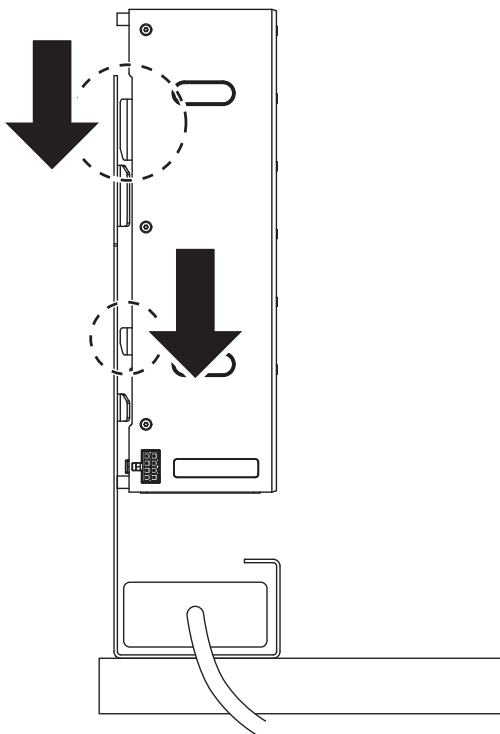
1. Coloque el adaptador de fuente de alimentación en el soporte de montaje.



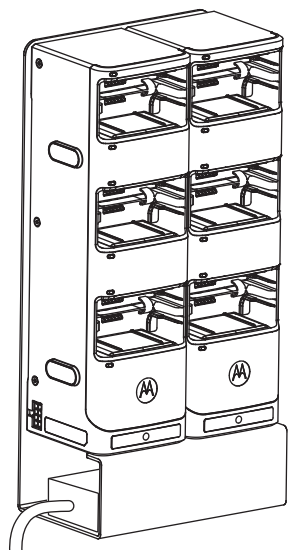
2. Coloque e incline el cargador hacia el soporte.



3. Alinee los rieles en la parte posterior del cargador con los rieles del soporte de montaje.
4. Deslice el cargador hacia abajo para fijarlo con ambos rieles.



5. Asegúrese de que ambos rieles estén conectados antes de soltar el cargador.



Guia do usuário do carregador multiunidades PMPN4003 da L6Q

OUTUBRO DE 2023

© 2023 Motorola Solutions, Inc. All Rights Reserved.



MN010173A01-AA

Índice

Informações jurídicas e de segurança.....	3
Capítulo 1: Visão geral do carregador.....	7
1.1 Visão geral dos acessórios do carregador.....	8
1.2 Baterias, cabos de alimentação e fontes de alimentação autorizadas.....	8
1.3 Equipamento opcional.....	9
Capítulo 2: Operações do carregador.....	10
2.1 Carregar as baterias.....	10
2.2 Indicações de carregamento.....	11
2.3 Combinação dos carregadores multiunidades.....	11
2.4 Separação dos carregadores multiunidades.....	13
2.5 Montagem do suporte de montagem na parede.....	14
2.6 Preparar carregadores para carregamento de mesa.....	16
2.7 Preparação dos carregadores para a posição de carregamento vertical.....	17

Informações jurídicas e de segurança

Esta seção traz informações jurídicas e de segurança relacionadas a este produto.

Marcas de certificação



Endereço de contato

European Union Contact
Motorola Solutions,
Czerwone Maki 82,
30-392 Krakow, Poland

Propriedade intelectual e comunicados regulatórios

Direitos autorais

Os produtos da Motorola Solutions descritos neste documento podem incluir programas de computador da Motorola Solutions protegidos por direitos autorais. As leis dos Estados Unidos e de outros países garantem determinados direitos exclusivos da Motorola Solutions que envolvem programas de computador protegidos por direitos autorais. Sendo assim, nenhum programa de computador protegido por direitos autorais da Motorola Solutions, incluído nos produtos da Motorola Solutions descritos neste documento, pode ser copiado ou reproduzido, de qualquer forma, sem permissão expressa por escrito da Motorola Solutions.

Nenhuma parte deste documento pode ser reproduzida, transmitida, armazenada em sistema de recuperação ou traduzida para qualquer idioma ou linguagem de computador, de forma nenhuma nem por nenhum meio, sem permissão prévia por escrito da Motorola Solutions, Inc.

Marcas registradas

MOTOROLA, MOTO, MOTOROLA SOLUTIONS, and the Stylized M Logo are trademarks or registered trademarks of Motorola Trademark Holdings, LLC and are used under license. All other trademarks are the property of their respective owners.

Direitos de licença

A aquisição de produtos da Motorola Solutions não pressupõe garantia, explícita ou implícita, por impedimento ou qualquer outra forma, de qualquer licença de direito autoral, patente ou aplicação de patente da Motorola Solutions, exceto a licença de uso regular não exclusiva, isenta de exploração de patente concedida por força de lei na venda de um produto.

Conteúdo de código aberto

Este produto pode conter software de código aberto usado conforme licença. Na mídia de instalação do produto, consulte o conteúdo completo sobre Atribuições e comunicados jurídicos de código aberto.

Diretiva WEEE (Waste of Electrical and Electronic Equipment, resíduos de equipamentos elétricos e eletrônicos) da UE (União Europeia) e do Reino Unido



A diretiva WEEE da União Europeia e a regulamentação WEEE do Reino Unido exigem que os produtos vendidos nos países da União Europeia e do Reino Unido exibam a etiqueta de lixeira cruzada no produto (ou na embalagem, em alguns casos). Conforme definido pela diretiva WEEE, essa etiqueta de lixeira cruzada indica que os clientes e os usuários finais nos países da União Europeia e do Reino Unido não podem descartar equipamentos ou acessórios elétricos ou eletrônicos em lixo doméstico.

Os clientes ou usuários finais dos países da União Europeia e do Reino Unido devem entrar em contato com o representante do fornecedor do equipamento ou o centro de assistência local para obter informações sobre o sistema de coleta de lixo em seu país.

Isenção de responsabilidade

Observe que alguns recursos e capacidades descritos neste documento podem não ser pertinentes ou licenciados para uso em um sistema específico ou podem depender das características de uma determinada unidade de rádio móvel ou da configuração de determinados parâmetros. Consulte seu contato da Motorola Solutions para mais informações.

© 2023 Motorola Solutions, Inc. All Rights Reserved

Declaração de conformidade do fornecedor

Declaração de conformidade do fornecedor

De acordo com a CFR 47, Parte 2, Seção 2.1077(a) da FCC



A parte responsável

Nome: Motorola Solutions, Inc.

Endereço: 2000 Progress Pkwy, Schaumburg, IL. 60196

Telefone: 1-800-927-2744

Declara que o produto:

Nome do modelo: **Carregador multiunidades**

está em conformidade com as seguintes normas:

Parte 15, subparte B, seção 15.107(a) e seção 15.109(a) da FCC

Dispositivo digital de Classe B

Este dispositivo está em conformidade com a Parte 15 das Normas da FCC. A operação está sujeita às duas condições a seguir:

1. Este dispositivo não deve causar interferências prejudiciais e
2. Este dispositivo deve aceitar qualquer interferência, inclusive as que possam causar operação indesejada do dispositivo.



OBSERVAÇÃO:

Este equipamento foi testado e considerado em conformidade com os limites para um dispositivo digital de Classe B, nos termos da Parte 15 das Normas da FCC. Estes limites foram elaborados para fornecer uma proteção aceitável contra interferências prejudiciais em uma instalação residencial. Este equipamento gera, usa e pode irradiar energia de radiofrequência e, caso não seja instalado e usado de acordo com as instruções, poderá causar interferência prejudicial às comunicações de rádio. Entretanto, não há garantia de que não haverá interferências em uma instalação específica.

Se este equipamento causar interferência prejudicial à recepção de rádio ou televisão, o que pode ser determinado quando o equipamento for ligado e desligado, o usuário deverá tentar corrigir a interferência seguindo um ou mais dos procedimentos abaixo:

- Reorientar ou reposicionar a antena receptora.
- Aumentar a distância entre o equipamento e o receptor.
- Conectar o equipamento a uma tomada de um circuito diferente daquele ao qual o receptor está conectado.
- Falar com o revendedor ou um técnico de rádio ou TV experiente para obter ajuda.

Somente para a Austrália

Esta cláusula se aplica a produtos e serviços fornecidos pela Motorola Solutions aos consumidores regidos pela Australian Consumer Law (Lei australiana do consumidor). Esta garantia é concedida pela Motorola Solutions Australia Pty Limited (ABN 16 004 742 312) de Tally Ho Business Park, 10 Wesley Court, Burwood East, Victoria. Nossos produtos são acompanhados de garantias que não podem ser excluídas, em conformidade com a Lei australiana do consumidor. Para falhas graves no serviço, você tem direito a:

- Cancelar seu contrato de serviço conosco e
- Ser reembolsado pela parte não usada ou receber uma compensação por seu valor reduzido.

Você tem o direito de escolher uma substituição ou um reembolso por uma falha grave nos produtos. Se uma falha nos produtos ou serviços não for significativa, você terá o direito de corrigir a falha em um prazo razoável. Se isso não for feito, você terá direito a um reembolso para os produtos e cancelamento do contrato para o serviço e obtenção de um reembolso de qualquer parte não usada. Você também tem o direito de ser compensado por qualquer outra perda ou dano razoavelmente previsível decorrente de uma falha nos produtos ou serviços. Em caso de dúvidas, entre em contato com a Motorola Solutions Australia pelo número 1800 457 439. Você também pode acessar o nosso site: https://www.motorolasolutions.com/en_xa/support.html para conferir os termos atuais da garantia.

Instruções de segurança importantes

Este documento contém instruções de segurança e operação importantes.

Antes de usar o carregador de bateria, leia todas as instruções e observações de alerta no carregador e na bateria.



AVISO:

Leia estas instruções cuidadosamente e guarde para referência futura.

- Para reduzir o risco de danos ao cabo de alimentação, puxe pelo conector e não pelo cabo ao desconectar o cabo de alimentação da tomada de CA ou do carregador.
- Para reduzir o risco de incêndio ou choque elétrico, evite usar extensões. Se for preciso usar uma extensão, verifique se o tamanho da extensão é de 18 AWG para comprimentos de até 2 m (6,5 pés) e 16 AWG para comprimentos de até 3 m (9,8 pés).
- Para reduzir o risco de incêndio, choque elétrico ou ferimentos, não use o carregador se estiver quebrado ou danificado de qualquer forma. Leve o carregador para um representante qualificado da assistência técnica da Motorola Solutions.
- Para reduzir o risco de incêndio ou choque elétrico, não desmonte o carregador. Não é possível consertar o carregador e não há peças de reposição disponíveis.
- Para reduzir o risco de choque elétrico, desconecte o carregador da tomada de CA antes de fazer qualquer tipo de limpeza ou manutenção.
- Para reduzir o risco de ferimentos, carregue somente baterias recarregáveis autorizadas. Outras baterias podem explodir, causando ferimentos e danos.
- Para reduzir o risco de incêndio, choque elétrico ou ferimentos, use apenas acessórios recomendados pela Motorola Solutions.
- Alterações ou modificações feitas neste dispositivo que não sejam expressamente aprovadas pela Motorola Solutions poderão anular o direito do usuário de operar o equipamento.

Diretrizes de segurança operacional

- Este equipamento não é adequado para uso ao ar livre. Utilize-o somente em locais e condições secas.
- A temperatura máxima do ambiente em volta do carregador não pode exceder 40 °C (104 °F).
- Conecte o carregador somente a um cabo de alimentação apropriado listado na *Lista de cabos de alimentação autorizados da Motorola Solutions*.
- A tomada de CA à qual o cabo de alimentação está conectado deverá estar próxima e ser de fácil acesso.
- Certifique-se de que o cabo de alimentação esteja localizado fora de locais de circulação para não ser pisado, tropeçado, molhado ou danificado.
- Conecte o cabo de alimentação somente a uma tomada de CA com fusíveis e fios adequados e com a tensão correta, conforme especificado no produto.

Isenção de responsabilidade

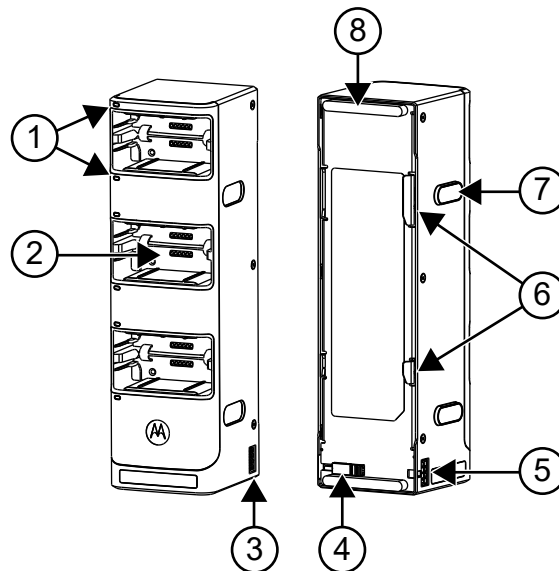
As informações contidas neste documento foram cuidadosamente analisadas e consideradas inteiramente confiáveis. No entanto, não será assumida nenhuma responsabilidade por imprecisões.

Além disso, a Motorola Solutions reserva-se o direito de fazer alterações em quaisquer produtos para melhorar a legibilidade, as funções ou o design. A Motorola Solutions não se responsabiliza por aplicações ou uso de qualquer produto ou circuito aqui descrito, e não cobre nenhuma licença sob direitos de patente ou direitos de terceiros.

Capítulo 1

Visão geral do carregador

Figura 1: Visão geral do carregador



Acima 1: Visão geral do carregador

Rótulo	Descrição
1	Indicador de LED
2	Compartimento de carregamento
3	Conector macho
4	Trava do conector macho
5	Conector fêmea
6	Trilhos do suporte de montagem
7	Ímã
8	Pé de borracha

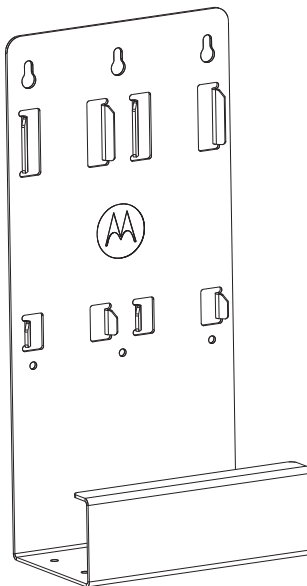
Acima 2: Especificação do carregador

ENTRADA	SAÍDA
15 V $\overline{\text{---}}$, 6 A (até 2 carregadores multiunidades)	4,35 V $\overline{\text{---}}$, 1,25 A x 6 compartimentos

1.1

Visão geral dos acessórios do carregador

Figura 2: Visão geral do suporte de montagem (número da peça: BR000628A01)



1.2

Baterias, cabos de alimentação e fontes de alimentação autorizadas

Acima 3: Baterias autorizadas da Motorola Solutions

Número da peça	Descrição	Série
PMPN4546	Bateria de íons de lítio, 5000 mAh	L6Q

Acima 4: Cabos de alimentação autorizados da Motorola Solutions

Número da peça	Descrição
3087791G01	Cabo de alimentação, América do Norte
3087791G04	Cabo de alimentação, Europa
3087791G07	Cabo de alimentação, Reino Unido
3087791G10	Cabo de alimentação, Austrália/Nova Zelândia
3087791G13	Cabo de alimentação, Argentina
3087791G22	Cabo de alimentação, Brasil

Acima 5: Fonte de alimentação autorizada da Motorola Solutions

Kit do carregador	Fonte de alimentação	Descrição	Módulo
PMPN4003	PS000242A04	90 W, 100-240 V externos	Até dois carregadores multiunidades

1.3

Equipamento opcional

Um suporte de montagem (número da peça: BR000628A01) está disponível para o carregador multiunidades. Entre em contato com o revendedor para solicitar este item. Consulte [Montagem do suporte de montagem na parede na página 14](#) para obter instruções de instalação.



AVISO:

- O suporte de montagem deve ser instalado por um técnico treinado e experiente. Ter o suporte de montagem instalado por um técnico não especializado é muito perigoso e pode causar danos ou lesões.
- Não instale o suporte de montagem quando o peso não for suportado. Se o local onde o suporte de montagem está instalado não for forte o suficiente, ele poderá cair e causar lesões.
- Não instale o suporte de montagem em uma estrutura propensa a vibrações, movimentos ou chances de impacto.

Capítulo 2

Operações do carregador

Esta seção contém as informações de carregamento do carregador.

2.1

Carregar as baterias

Pré-requisitos:

Use somente baterias autorizadas da Motorola Solutions. Carregue as baterias em temperatura ambiente. Use somente o carregador atribuído ao carregar as baterias suportadas.

Procedimento:

1. Posicione o carregador multiunidades horizontalmente em uma superfície plana.



OBSERVAÇÃO:

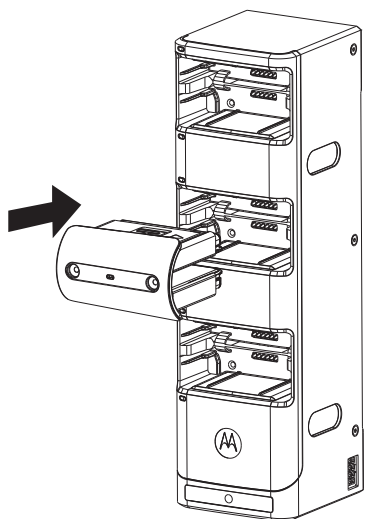
Se você tiver mais de um carregador multiunidades, é recomendável colocá-lo em uma posição vertical montada no suporte de montagem.

2. Insira o adaptador da fonte de alimentação no conector fêmea do carregador multiunidades.
3. Conecte o adaptador da fonte de alimentação à tomada.

Se a inicialização do carregador multiunidades for bem-sucedida, o LED ficará verde por um segundo.

Se a inicialização do carregador multiunidades não for bem-sucedida, verifique a conexão do cabo de alimentação.

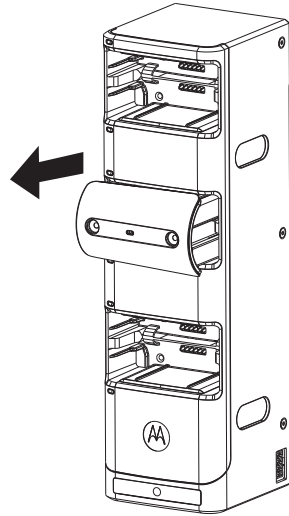
4. Alinhe e insira as baterias (2X) com a bandeja da bateria no compartimento do carregador.



5. Certifique-se de que a bateria esteja em contato com o contato do carregador.

Se a bateria estiver inserida corretamente e estiver sendo carregada no modo de carga rápida, o indicador LED ficará vermelho contínuo.

6. Para remover as bandejas da bateria do compartimento do carregador, puxe-as do compartimento do carregador.



2.2

Indicações de carregamento

Acima 6: Indicações de carregamento

Indicação do carregador		Descrição
Verde contínuo por um segundo		Carregador ligado com êxito.
Vermelho contínuo		A bateria está carregando rapidamente.
Verde piscando		A bateria está carregada em até 90% ou mais.
Verde contínuo		A bateria está carregada em 95% ou mais.
Vermelho piscando		Falha na bateria. OBSERVAÇÃO: Remova e reinsira a bateria no compartimento do carregador.
Âmbar piscando		A bateria está no modo em espera aguardando carregamento. OBSERVAÇÃO: A bateria pode estar muito quente, muito fria ou com baixa tensão.

2.3

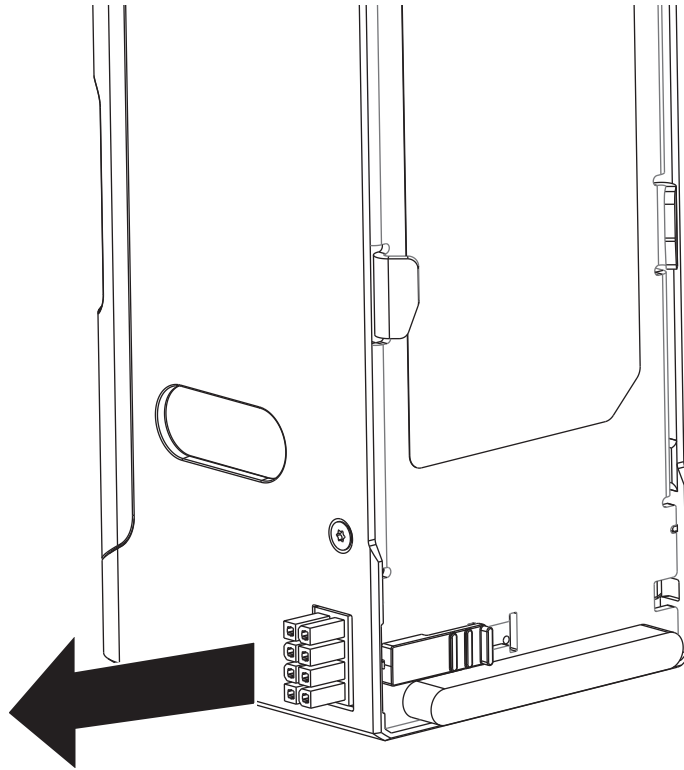
Combinação dos carregadores multiunidades

Pré-requisitos:

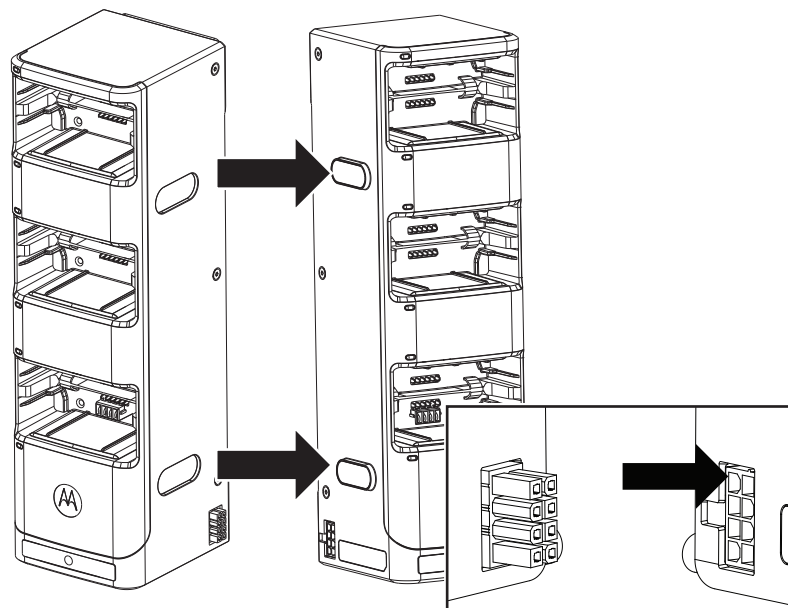
O número máximo de carregadores multiunidades que podem ser combinados é dois.

Procedimento:

1. Coloque os carregadores na mesa para suporte antes de combiná-los.
2. Para estender o conector, pressione e empurre a trava do conector macho para a esquerda.

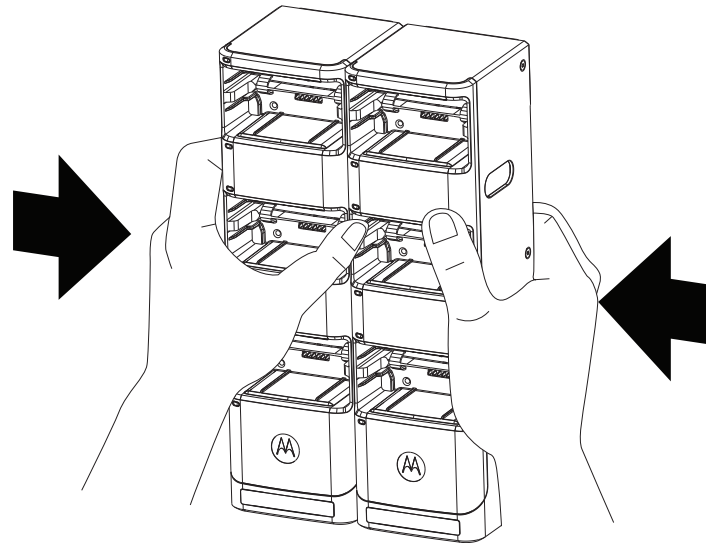


3. Para combinar os carregadores, conecte o conector macho ao conector fêmea.



Os ímãs dos carregadores os mantêm juntos quando conectados.

4. Segure as laterais dos carregadores combinados ao se mover para outro local.

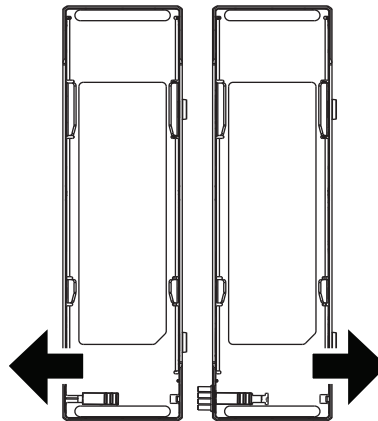


2.4

Separação dos carregadores multiunidades

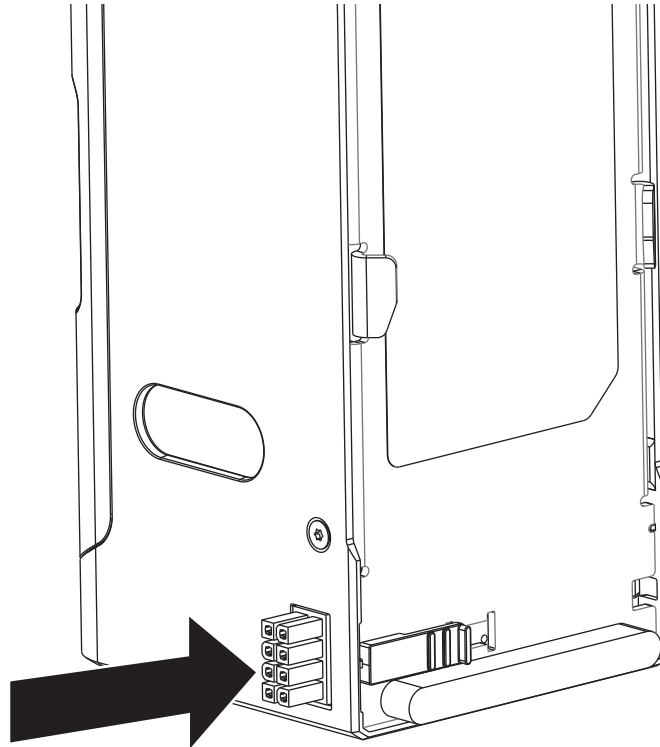
Procedimento:

1. Coloque os carregadores combinados na mesa.
2. Para separar os carregadores combinados, puxe cada um dos carregadores em direções opostas.



OBSERVAÇÃO:

Não torça o carregador enquanto o puxa para fora para evitar danos aos conectores.



3. Para recolher o conector macho de volta ao carregador, pressione a trava do conector macho e empurre para a direita.

2.5

Montagem do suporte de montagem na parede

O suporte de montagem é um equipamento opcional. Consulte [Equipamento opcional na página 9](#) para obter mais informações.

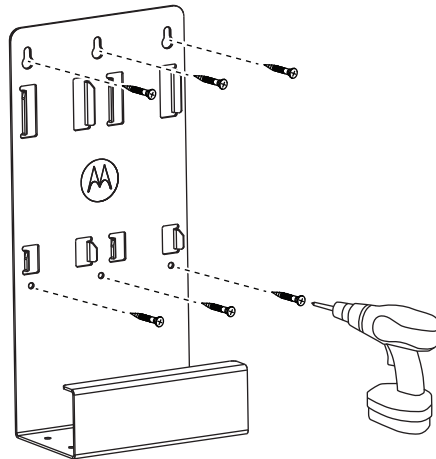
Procedimento:


1. Posicione o suporte e marque o local dos furos de montagem na superfície da parede.



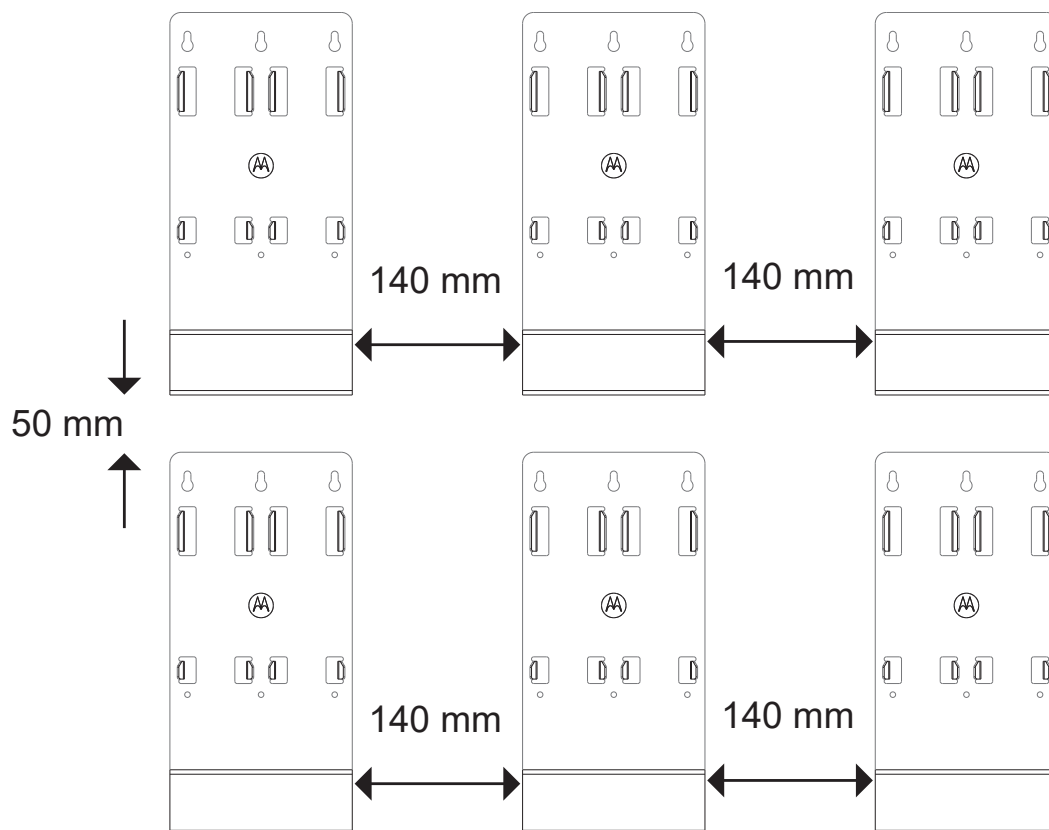
ATENÇÃO:

- Certifique-se de que a área atrás da superfície de montagem esteja livre de fios elétricos, cabos e canos antes de cortar, perfurar ou instalar os parafusos de montagem.
2. Monte o suporte na parede usando a ferragem de montagem apropriada necessária, como buchas para drywall. Os furos de montagem superiores têm um recurso deslizante para facilitar a montagem.
 3. Perfure com base nos furos de montagem marcados na parede.
 4. Para prender o suporte, instale a ferragem de montagem sobre os furos de montagem no suporte firmemente.



 **OBSERVAÇÃO:** Recomenda-se usar um parafuso de rosca e arruela de 254-406,4 x 38,1 mm (10-16 x 1,5 pol.) (não incluídos) em parede com viga de madeira e em parede de concreto sólido e plano ou parede de tijolos.

5. Monte suportes adicionais com uma distância mínima de 50 mm verticalmente e 140 mm horizontalmente um do outro.


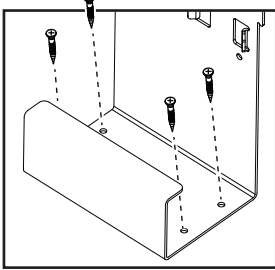
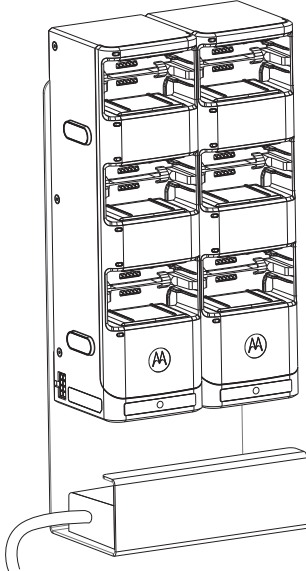


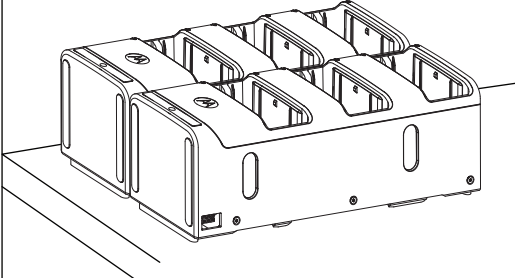
2.6

Preparar carregadores para carregamento de mesa

Procedimento:

Prepare o carregador para carregamento de mesa executando uma das seguintes ações:

Opção	Ação
Carregamento com suporte de montagem	<p data-bbox="708 548 967 579"> OBSERVAÇÃO:</p> <ul data-bbox="769 590 1373 869" style="list-style-type: none">• Se o carregador for colocado na posição vertical, recomenda-se colocar o carregador no suporte de montagem para evitar que caia.• Recomenda-se usar um parafuso de rosca de 1254-406,4 x 38,1 mm (10-16 x 1,5 pol.) para montar o suporte no tampo da mesa.• Certifique-se de que os parafusos não penetrem na mesa. <p data-bbox="699 884 1230 915">a. Aparafuse o suporte de parede na mesa.</p>  <p data-bbox="699 1255 1377 1314">b. Coloque a fonte de alimentação dentro do suporte de parede.</p> 

Opção	Ação
Carregamento sem suporte de metal	<p>a. Coloque o carregador na horizontal.</p> 

2.7

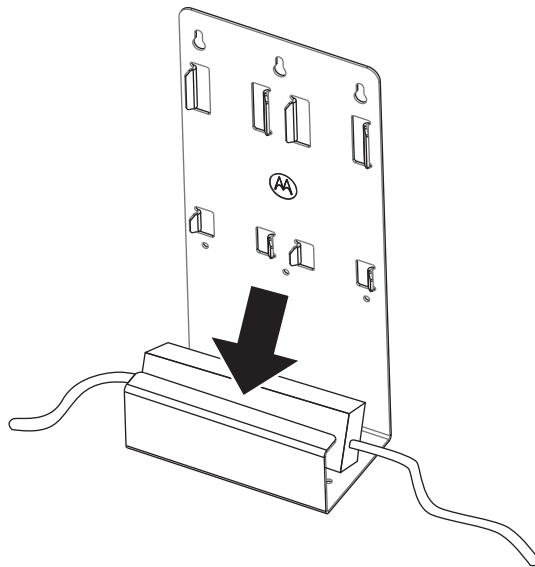
Preparação dos carregadores para a posição de carregamento vertical

Pré-requisitos:

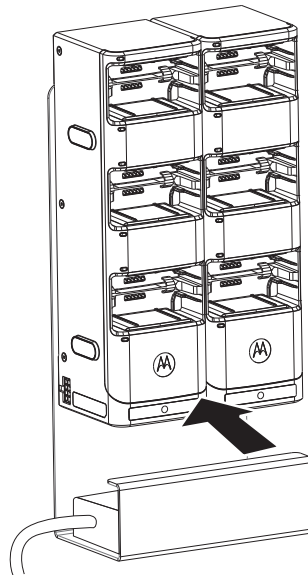
Certifique-se de que o suporte de montagem esteja montado na parede e que os carregadores estejam combinados antes de montá-los no suporte de montagem.

Procedimento:

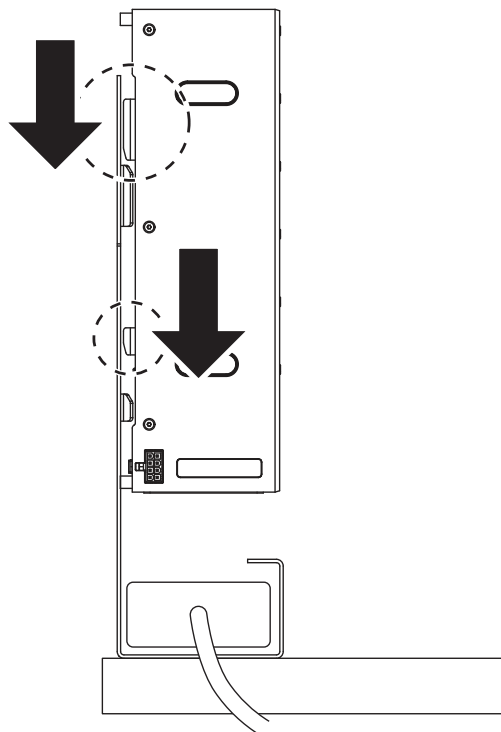
1. Coloque o adaptador da fonte de alimentação no suporte de montagem.



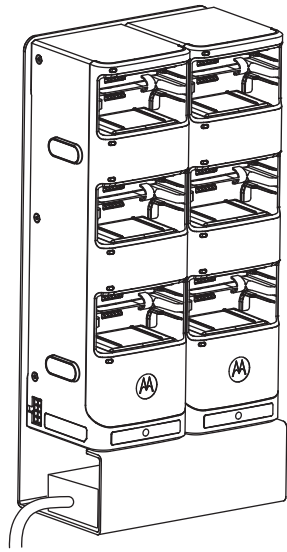
2. Coloque e apoie o carregador no suporte.



3. Alinhe os trilhos traseiros no carregador com os trilhos no suporte de montagem.
4. Deslize o carregador para baixo para encaixá-lo nos dois trilhos.



5. Certifique-se de que ambos os trilhos estejam conectados antes de soltar o carregador.



L6Q Mehrfachladegerät PMPN4003 – Benutzerhandbuch

OKTOBER 2023

© 2023 Motorola Solutions, Inc. All Rights Reserved.



MN010173A01-AA

Inhalt

Sicherheit und Rechtliches.....	3
Kapitel 1: Ladegerät – Überblick.....	8
1.1 Überblick über das Ladegerätzubehör.....	9
1.2 Autorisierte Akkus, Netzkabel und Netzteile.....	9
1.3 Optionale Ausstattung.....	10
Kapitel 2: Betrieb des Ladegeräts.....	11
2.1 Aufladen der Akkus.....	11
2.2 Ladeanzeigen.....	12
2.3 Kombination der Mehrfachladegeräte.....	12
2.4 Trennen der Mehrfachladegeräte.....	14
2.5 Wandmontage der Montagehalterung.....	15
2.6 Vorbereiten von Ladegeräten für das Laden auf einer Arbeitsfläche.....	17
2.7 Vorbereiten von Ladegeräten für die vertikale Ladeposition.....	18

Sicherheit und Rechtliches

Dieser Abschnitt enthält die Sicherheits- und rechtlichen Informationen für dieses Produkt.

Prüfzeichen



Kontaktadresse

European Union Contact
Motorola Solutions,
Czerwone Maki 82,
30-392 Krakow, Poland

Hinweise zu geistigem Eigentum und gesetzlichen Bestimmungen

Copyright

Die in diesem Dokument beschriebenen Motorola Solutions-Produkte können durch Copyright geschützte Computerprogramme von Motorola Solutions enthalten. Nach den Gesetzen der USA und anderer Staaten sind bestimmte exklusive Rechte an der urheberrechtlich geschützten Software der Firma Motorola Solutions vorbehalten. Demzufolge dürfen urheberrechtlich geschützte Computerprogramme von Motorola Solutions, die zusammen mit den in diesem Dokument beschriebenen Motorola Solutions-Produkten ausgeliefert werden, ohne die vorherige schriftliche Genehmigung von Motorola Solutions weder kopiert noch in jeglicher Form reproduziert werden.

Die Vervielfältigung, Übertragung, Speicherung in einem Abrufsystem oder Übersetzung in eine Sprache oder Computersprache ist für keinen Teil dieses Dokuments in keinerlei Form und durch keinerlei Methode ohne vorherige schriftliche Genehmigung von Motorola Solutions Inc. gestattet.

Marken

MOTOROLA, MOTO, MOTOROLA SOLUTIONS, and the Stylized M Logo are trademarks or registered trademarks of Motorola Trademark Holdings, LLC and are used under license. All other trademarks are the property of their respective owners.

Lizenzrechte

Mit dem Kauf von Produkten von Motorola Solutions werden weder ausdrücklich noch stillschweigend, durch Rechtsverwirkung oder auf andere Weise Lizenzen unter dem Copyright, dem Patent oder den Patentanwendungen von Software von Motorola Solutions ausgegeben, außer der Nutzung von gewöhnlichen, nicht exklusiv erteilten, gebührenfreien Lizenzen, die sich aus der Anwendung der Gesetze beim Verkauf eines Produkts ergeben.

Open-Source-Inhalt

Dieses Produkt kann Open-Source-Software enthalten, die unter Lizenz verwendet wird. Vollständige rechtliche Hinweise und Attributionsinformationen zu Open Source finden Sie in den Produktinstallationsmedien.

Richtlinie zu Elektro- und Elektronik-Altgeräten (WEEE) der Europäischen Union (EU) und des Vereinigten Königreichs (UK)



■ Gemäß WEEE-Richtlinie (Waste of Electrical and Electronic Equipment, deutsch Elektro- und Elektronikaltgeräte) der EU und des Vereinigten Königreichs besteht für Elektro- und Elektronikgeräte, die in den Mitgliedsländern der Europäischen Union und dem Vereinigten Königreich in Verkehr gebracht werden, Kennzeichnungspflicht. Die Kennzeichnung erfolgt durch ein Etikett mit einer durchgestrichenen Mülltonne, das am Produkt selbst oder an der Verpackung angebracht wird. Wie in der WEEE-Richtlinie festgelegt, bedeutet diese Kennzeichnung, dass Kunden und Endverbraucher in Ländern der EU und des Vereinigten Königreichs elektrische und elektronische Geräte und Zubehör nicht mit dem Haushaltsmüll entsorgen sollten.

Endverbraucher in den Mitgliedsländern der Europäischen Union und dem Vereinigten Königreich sind angehalten, bei ihrem lokalen Händler oder beim Kundendienst des Herstellers Informationen zum Rücknahmesystem ihres Landes einzuholen.

Haftungsausschluss

Beachten Sie, dass bestimmte Funktionen, Eigenschaften und Möglichkeiten, die in diesem Dokument beschrieben werden, für ein bestimmtes System möglicherweise nicht gelten oder nicht lizenziert sind oder von den Eigenschaften bestimmter mobiler Endgeräte (Funkgeräte) oder von der Konfiguration bestimmter Parameter abhängen können. Wenden Sie sich für weitere Informationen an Ihren Ansprechpartner von Motorola Solutions.

© 2023 Motorola Solutions, Inc. All Rights Reserved

Konformitätserklärung des Lieferanten

Konformitätserklärung des Lieferanten

Gemäß FCC CFR 47 Teil 2 Abschnitt 2.1077(a)



Verantwortliche Partei

Name: Motorola Solutions, Inc.

Adresse: 2000 Progress Pkwy, Schaumburg, IL. 60196

Telefonnummer: 1-800-927-2744

Erklärt hiermit, dass das Produkt:

Modellname: **Mehrfachladegerät**

den folgenden Bestimmungen entspricht:

FCC Teil 15, Unterteil B, Abschnitt 15.107(a) und Abschnitt 15.109(a)

Digitales Gerät der Klasse B

Dieses Gerät erfüllt die Anforderungen von Abschnitt 15 der FCC-Richtlinien. Der Betrieb des Geräts unterliegt den beiden folgenden Bedingungen:

1. Das Gerät darf keine schädlichen Interferenzen verursachen.
2. Das Gerät muss alle empfangenen Interferenzen annehmen, einschließlich Interferenzen, die zu einem unerwünschten Betrieb führen können.



NOTIZ:

Dieses Gerät wurde geprüft und erfüllt die Grenzwerte für ein digitales Gerät der Klasse B laut Teil 15 der FCC-Richtlinien. Diese Grenzwerte wurden festgelegt, um einen angemessenen Schutz vor Störungen zu gewährleisten, wenn das Gerät in einer Wohngegend eingesetzt wird. Dieses Gerät erzeugt und verwendet Hochfrequenzstrahlung und kann diese ausstrahlen. Dies kann sich, sofern das Gerät nicht gemäß der Bedienungsanleitung angeschlossen und eingesetzt wird, störend auf andere Funkfrequenzen auswirken. Eine Garantie, dass bei einer bestimmten Anlage keine Störungen auftreten, kann nicht gegeben werden.

Falls dieses Gerät den Funk- oder Fernsehempfang negativ beeinflusst (dies lässt sich durch Aus- und Einschalten des Geräts überprüfen), sollten folgende Abhilfemaßnahmen ergriffen werden:

- Neuausrichtung oder Umstellung der Empfangsantenne
- Vergrößerung des Abstands zwischen Gerät und Empfänger
- Anschluss des Geräts an eine andere Steckdose als an die, an die der Empfänger angeschlossen ist
- Beratung durch den Händler oder einen Funk- oder Fernsichttechniker

Nur für Australien:

Diese Bestimmung gilt für Produkte und Dienstleistungen, die Motorola Solutions Verbrauchern im Sinne des australischen Verbrauchergesetzes zur Verfügung stellt. Diese Garantie wird gewährt von Motorola Solutions Australia Pty Limited (ABN 16 004 742 312) mit Sitz in Tally Ho Business Park, 10 Wesley Court, Burwood East, Victoria. Unsere Waren sind mit Garantien versehen, die nicht im Rahmen des australischen Verbraucherrechts ausgeschlossen werden können. Bei schwerwiegenden Ausfällen der Dienstleistung haben Sie das Recht:

- Ihren Servicevertrag mit uns zu kündigen und
- eine Erstattung für den nicht verwendeten Anteil oder eine Entschädigung für den reduzierten Wert zu verlangen.

Sie haben Anspruch auf Ersatz oder Erstattung für schwerwiegende Produktfehler. Wenn ein Ausfall der Ware oder Dienstleistung nicht zu einem schwerwiegenden Fehler führt, haben Sie Anspruch auf die Behebung des Fehlers innerhalb einer angemessenen Frist. Wenn dies nicht geschieht, haben Sie Anspruch auf Erstattung der Waren und auf Kündigung des Servicevertrags sowie auf Erstattung des nicht verwendeten Anteils. Sie haben auch Anspruch auf Entschädigung für alle anderen vernünftigerweise vorhersehbaren Verluste oder Schäden aufgrund eines Ausfalls der Waren oder Dienstleistungen. Bei Fragen rufen Sie bitte Motorola Solutions Australia unter der Nummer 1800 457 439 an. Oder besuchen Sie unsere Website: https://www.motorolasolutions.com/en_xa/support.html für die aktuelle Version der Garantiebedingungen.

Wichtige Sicherheitshinweise

Dieses Dokument enthält wichtige Sicherheits- und Betriebsanweisungen.

Lesen Sie vor der Verwendung des Akkuladegeräts sämtliche Anweisungen und Warnhinweise auf dem Ladegerät und dem Akku.



WARNUNG:

Lesen Sie diese Anweisungen sorgfältig durch, und bewahren Sie sie für eine spätere Verwendung auf.

- Ziehen Sie beim Trennen des Netzkabels von der Steckdose oder vom Ladegerät am Stecker (und nicht am Kabel), um Schäden am Netzkabel zu vermeiden.
- Um das Risiko von Feuer oder Stromschlägen zu verringern, vermeiden Sie die Verwendung eines Verlängerungskabels. Wenn die Verwendung eines Verlängerungskabels unerlässlich ist, vergewissern Sie sich, dass die Kabelgröße für Kabel mit einer Länge von max. 2 m (6,5 ft) der AWG-Stufe 18 und für Kabel mit einer Länge von max. 3 m (9,8 ft) der AWG-Stufe 16 entspricht.
- Um das Risiko von Feuer, Stromschlägen oder Verletzungen zu verringern, verwenden Sie das Ladegerät nicht in defektem oder beschädigtem Zustand. Wenden Sie sich an einen qualifizierten Kundendienstmitarbeiter von Motorola Solutions.
- Um das Risiko von Feuer oder Stromschlägen zu verringern, nehmen Sie das Ladegerät nicht auseinander. Es kann nicht repariert werden, und es sind keine Ersatzteile verfügbar.
- Ziehen Sie das Netzteil des Ladegeräts vor einer Wartung oder Reinigung aus der Steckdose, um Stromschläge zu vermeiden.
- Um die Verletzungsgefahr zu verringern, laden Sie nur zugelassene Akkus auf. Andere Akkus können explodieren sowie Verletzungen und Sachschäden verursachen.
- Um das Risiko von Feuer, Stromschlägen oder Verletzungen zu verringern, verwenden Sie nur das von Motorola Solutions empfohlene Zubehör.
- Jegliche Änderungen am Gerät, die nicht ausdrücklich von Motorola Solutions genehmigt wurden, können dazu führen, dass die Gewährleistung für das Gerät erlischt.

Sicherheitsrichtlinien für den Betrieb

- Dieses Gerät ist nicht für die Verwendung im Freien geeignet. Verwenden Sie das Gerät nur in trockenen Umgebungen/Bedingungen.
- Die maximale Umgebungstemperatur des Ladegeräts darf 40 °C (104 °F) nicht übersteigen.
- Schließen Sie das Ladegerät nur an ein entsprechendes Netzkabel an, das in der Liste *Von Motorola Solutions autorisierte Netzkabel* aufgeführt ist.
- Die Steckdose, an die das Netzkabel angeschlossen ist, sollte sich in der Nähe befinden und leicht zugänglich sein.
- Vergewissern Sie sich, dass das Netzkabel so verlegt ist, dass niemand darauf treten oder darüber stolpern kann. Des Weiteren darf es weder mit Wasser in Berührung kommen, Zugkräften ausgesetzt noch beschädigt werden.
- Schließen Sie das Netzkabel nur an eine ordnungsgemäß gesicherte und verkabelte Steckdose mit korrekter Spannung, entsprechend den Angaben auf dem Gerät, an.

Haftungsausschluss

Die in diesem Dokument enthaltenen Informationen wurden sorgfältig geprüft und gelten als gänzlich zuverlässig. Für Ungenauigkeiten wird jedoch keine Haftung übernommen.

Darüber hinaus behält sich Motorola Solutions das Recht vor, an allen Produkten Änderungen zur Verbesserung der Lesbarkeit, der Funktionalität oder des Designs vorzunehmen. Motorola Solutions haftet weder für Ersatzansprüche, die aus der Benutzung einer der in diesem Handbuch beschriebenen

Anwendungen, Produkte oder Schaltungen entstehen, noch für Ansprüche, die auf patentrechtlich geschützte Lizenzen oder die Rechte Dritter zurückzuführen sind.

Kapitel 1

Ladegerät – Überblick

Abbildung 1: Ladegerät – Überblick

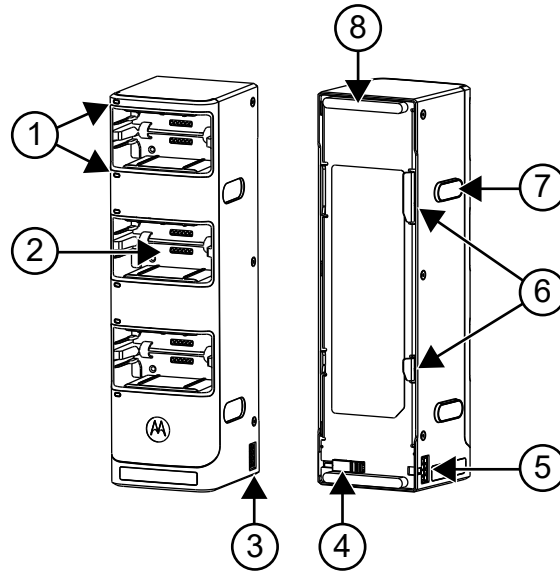


Tabelle 1: Ladegerät – Überblick

Kennzeichnung	Beschreibung
1	LED-Anzeige
2	Ladeschale
3	Stecker
4	Steckerverriegelung
5	Buchse
6	Montagehalterungsschienen
7	Magnet
8	Gummistellfuß

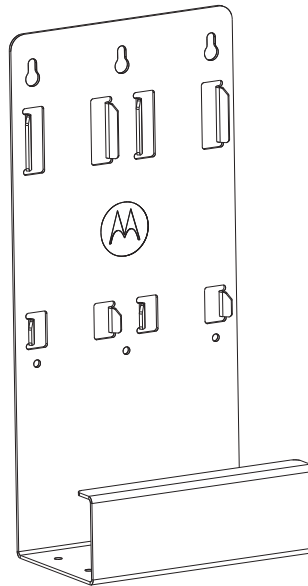
Tabelle 2: Technische Daten des Ladegeräts

EINGANG	AUSGANG
15 V $\overline{\text{---}}$, 6 A (bis zu 2 Mehrfachladegeräte)	4,35 V $\overline{\text{---}}$, 1,25 A x 6 Ladefächer

1.1

Überblick über das Ladegerätzubehör

Abbildung 2: Montagehalterung (Teilenummer: BR000628A01) – Überblick



1.2

Autorisierte Akkus, Netzkabel und Netzteile

Tabelle 3: Von Motorola Solutions autorisierte Akkus

Teilenummer	Beschreibung	Serie
PMPN4546	Lithium-Ionen-Akku, 5000 mAh	L6Q

Tabelle 4: Von Motorola Solutions autorisierte Netzkabel

Teilenummer	Beschreibung
3087791G01	Netzkabel, Nordamerika
3087791G04	Netzkabel, Europa
3087791G07	Netzkabel, Vereinigtes Königreich
3087791G10	Netzkabel, Australien/Neuseeland
3087791G13	Netzkabel, Argentinien
3087791G22	Netzkabel, Brasilien

Tabelle 5: Von Motorola Solutions autorisiertes Netzteil

Ladegerätset	Netzteil	Beschreibung	Modul
PMPN4003	PS000242A04	Extern 90 W, 100–240 V	Bis zu zwei Mehrfachladegeräte

1.3

Optionale Ausstattung

Eine Montagehalterung (Teilenummer: BR000628A01) ist für das Mehrfachladegerät erhältlich. Wenden Sie sich an Ihren Händler, um diesen Artikel zu bestellen. Weitere Installationsanweisungen entnehmen Sie [Wandmontage der Montagehalterung auf Seite 15](#).



WARNUNG:

- Die Montagehalterung sollte von einem geschulten und erfahrenen Techniker installiert werden. Die Installation der Montagehalterung von einem nicht darauf spezialisierten Techniker ist gefährlich und kann zu Schäden oder Verletzungen führen.
- Installieren Sie die Montagehalterung nicht an Stellen, die das Gewicht nicht tragen können. Wenn die Stelle, an der die Montagehalterung montiert wird, das Gewicht nicht tragen kann, kann die Montagehalterung herunterfallen und Verletzungen verursachen.
- Installieren Sie die Montagehalterung nicht an einer Struktur, die Vibrationen, Bewegungen oder möglichen Stößen ausgesetzt ist.

Kapitel 2

Betrieb des Ladegeräts

Dieser Abschnitt enthält Informationen zu Ihrem Ladegerät.

2.1

Aufladen der Akkus

Voraussetzungen:

Verwenden Sie nur von Motorola Solutions zugelassene Akkus. Laden Sie die Akkus bei Raumtemperatur auf. Verwenden Sie zum Aufladen der unterstützten Akkus nur das dazugehörige Ladegerät.

Vorgehensweise:

1. Legen Sie das Mehrfachladegerät auf eine ebene Oberfläche.



NOTIZ:

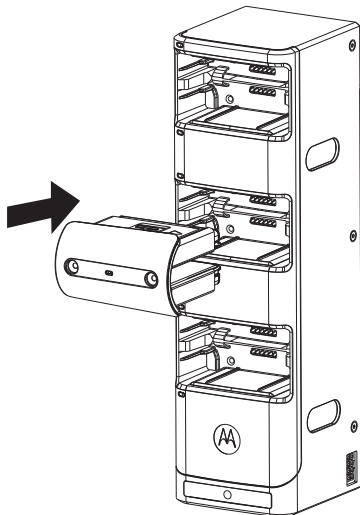
Wenn Sie mehr als ein Mehrfachladegerät haben, wird empfohlen, das Mehrfachladegerät in einer vertikalen Position an der Montagehalterung anzubringen.

2. Stecken Sie den Netzteiladapter in die Buchse des Mehrfachladegeräts.
3. Schließen Sie den Netzteiladapter an die Steckdose an.

Wenn das Mehrfachladegerät erfolgreich eingeschaltet wurde, leuchtet die LED eine Sekunde lang grün.

Wenn das Mehrfachladegerät nicht eingeschaltet werden kann, prüfen Sie, ob das Netzkabel korrekt angeschlossen ist.

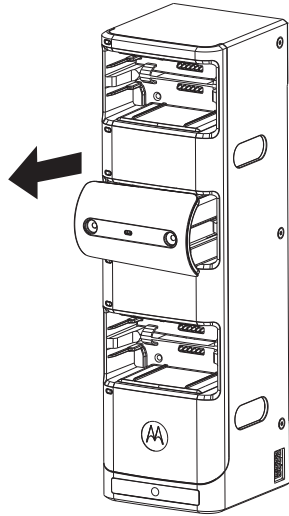
4. Richten Sie die Akkus (2x) am Akkufach aus, und setzen Sie sie in die Ladeschale ein.



5. Stellen Sie sicher, dass der Akku die Kontakte des Ladegeräts berührt.









Wenn der Akku richtig eingesetzt wurde und der Akku im Schnelllademodus aufgeladen wird, leuchtet die LED-Anzeige rot.

6. Um die Akkufächer aus der Ladeschale zu entfernen, ziehen Sie die Akkufächer aus der Ladeschale.



2.2 Ladeanzeigen

Tabelle 6: Ladeanzeigen

Ladeanzeige		Beschreibung
Durchgehend grün für ca. 1 Sekunde		Das Ladegerät wurde erfolgreich eingeschaltet.
Durchgehend rot		Der Akku wird schnell aufgeladen.
Blinkt grün		Der Akku ist zu mindestens 90 % aufgeladen.
Durchgehend grün		Der Akku ist zu mindestens 95 % aufgeladen.
Blinkt rot		Der Akku ist fehlerhaft.  NOTIZ: Nehmen Sie den Akku heraus, und setzen Sie ihn wieder in die Ladeschale ein.
Blinkt gelb		Der Akku befindet sich im Standby-Modus und ist bereit für das Aufladen.  NOTIZ: Der Akku ist möglicherweise zu heiß oder zu kalt, oder die Spannung ist zu niedrig.

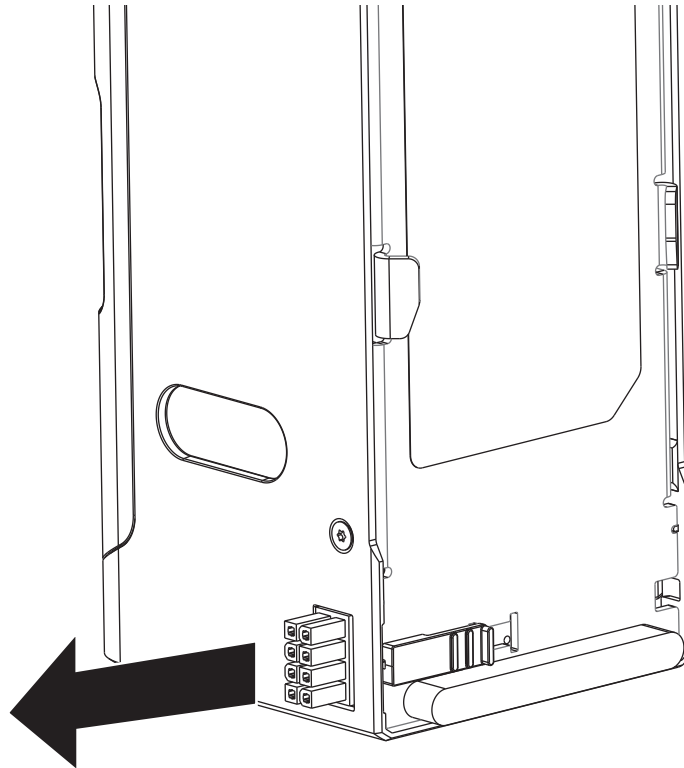
2.3 Kombination der Mehrfachladegeräte

Voraussetzungen:

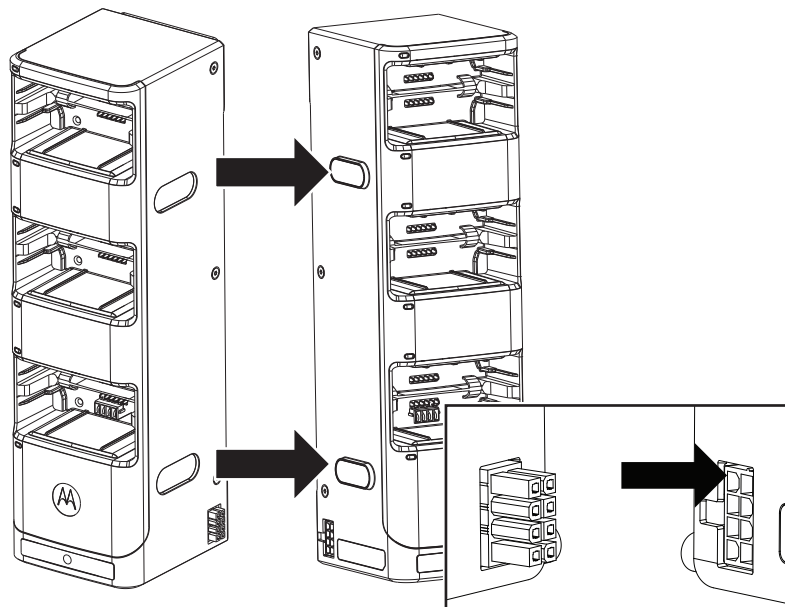
Es können maximal zwei Mehrfachladegeräte kombiniert werden.

Vorgehensweise:

1. Platzieren Sie die Ladegeräte vor dem Kombinieren auf den Tisch, um sie zu stützen.
2. Um den Stecker zu verlängern, drücken Sie auf die Steckerverriegelung, und schieben Sie sie nach links.

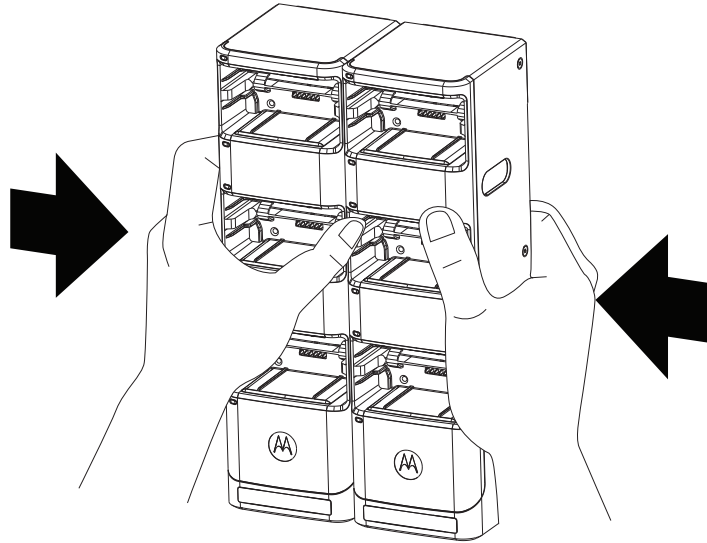


3. Um die Ladegeräte zu kombinieren, verbinden Sie den Stecker mit der Buchse.



Die Magnete der Ladegeräte halten sie zusammen, wenn sie angeschlossen sind.

4. Halten Sie die Seiten der kombinierten Ladegeräte fest, wenn Sie sie an einen anderen Ort bewegen.

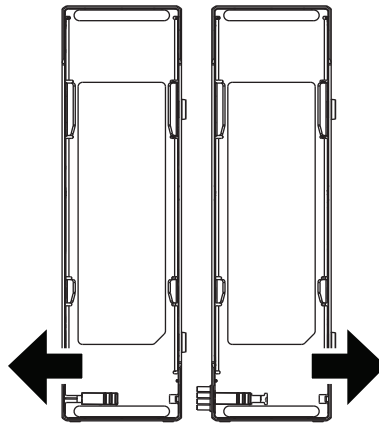


2.4

Trennen der Mehrfachladegeräte

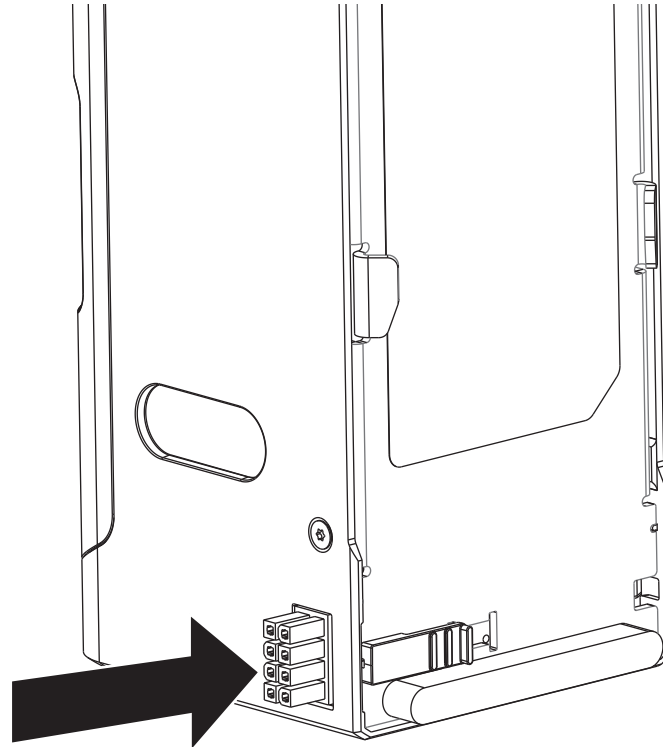
Vorgehensweise:

1. Platzieren Sie die kombinierten Ladegeräte auf dem Tisch.
2. Um die kombinierten Ladegeräte voneinander zu trennen, ziehen Sie jedes der Ladegeräte auseinander.



NOTIZ:

Drehen Sie das Ladegerät beim Abziehen des Steckers nicht, da sonst die Anschlüsse beschädigt werden könnten.



3. Um den Stecker wieder in das Ladegerät zu stecken, drücken Sie auf die Steckerverriegelung, und schieben Sie sie nach rechts.

2.5

Wandmontage der Montagehalterung

Die Montagehalterung ist optionales Zubehör. Weitere Informationen finden Sie unter [Optionale Ausstattung auf Seite 10](#).

Vorgehensweise:

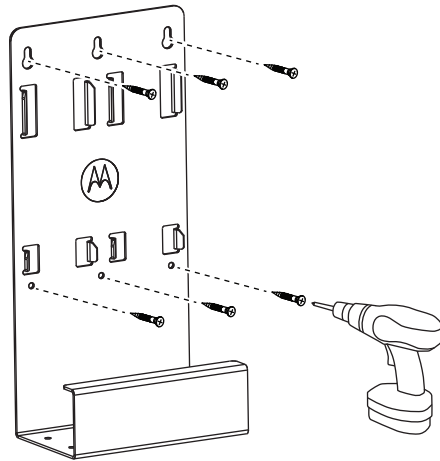
1. Positionieren Sie die Halterung, und markieren Sie die Position der Befestigungslöcher an der Wand.



VORSICHT:

Stellen Sie vor dem Schneiden, Bohren oder Einbringen der Montageschrauben sicher, dass sich in dem Bereich hinter der Montagefläche keine elektrischen Leitungen, Kabel oder Rohre befinden.

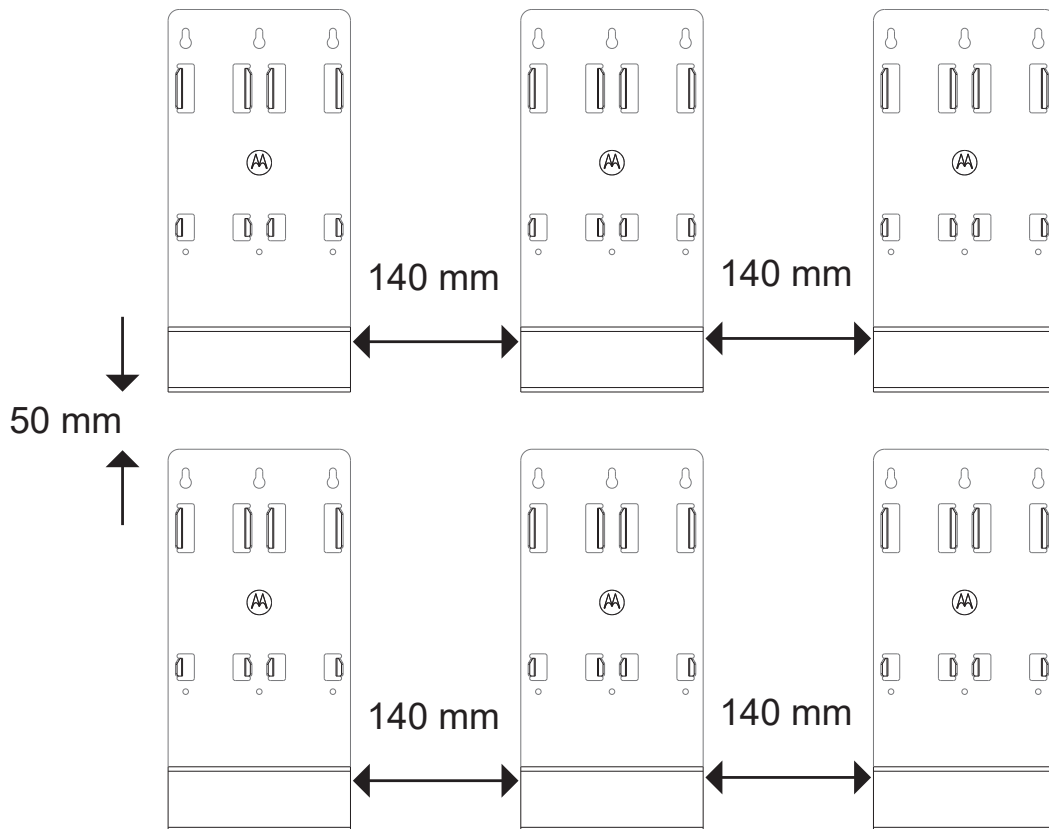
2. Montieren Sie die Halterung mit geeigneten Befestigungsteilen (z. B. Dübel für Trockenbauwände) an der Wand. Die oberen Befestigungslöcher verfügen über eine Gleitfunktion für eine einfachere Montage.
3. Nehmen Sie die Bohrungen anhand der Markierungen für die Montagelöcher an der Wand vor.
4. Um die Halterung zu befestigen, montieren Sie die Befestigungsteile fest an den Montagelöchern der Halterung.



NOTIZ:

Es wird empfohlen, Blechschrauben und Unterlegscheiben von 10–16 x 1,5 Zoll (nicht im Lieferumfang enthalten) auf Holzbalken und massiven, flachen Beton-/Ziegelwänden zu verwenden.

5. Montieren Sie alle zusätzlichen Halterungen mit einem Mindestabstand von 50 mm vertikal und 140 mm horizontal zueinander.


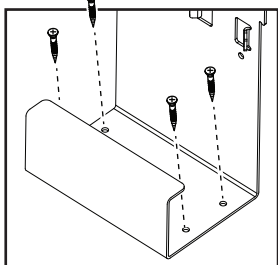
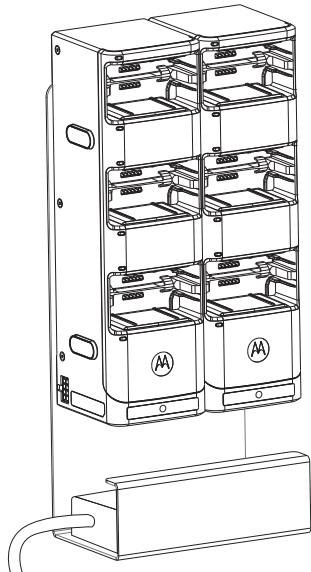


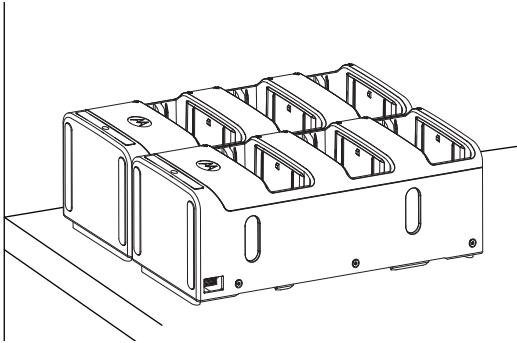
2.6

Vorbereiten von Ladegeräten für das Laden auf einer Arbeitsfläche

Vorgehensweise:

Bereiten Sie das Ladegerät für den Ladevorgang auf einer Arbeitsfläche vor, indem Sie eine der folgenden Maßnahmen durchführen:

Option	Aktion
Laden mit Montagehalterung	<p data-bbox="743 583 893 625"> NOTIZ:</p> <ul data-bbox="803 625 1404 934" style="list-style-type: none">• Wenn das Ladegerät in einer vertikalen Position aufgestellt wird, wird empfohlen, das Ladegerät auf die Montagehalterung zu stellen, um ein Umstürzen zu verhindern.• Es wird empfohlen, die Halterung mit einer Blechschraube von 10–16 x 1,5 Zoll auf der Tischplatte zu montieren.• Stellen Sie sicher, dass die Schrauben nicht durch den Tisch dringen. <p data-bbox="743 951 1356 982">a. Schrauben Sie die Wandhalterung an den Tisch.</p> <div data-bbox="974 1018 1250 1281"></div> <p data-bbox="743 1318 1356 1350">b. Platzieren Sie das Netzteil in der Wandhalterung.</p> <div data-bbox="950 1375 1258 1942"></div>

Option	Aktion
Laden ohne Metallhalterung	<p>a. Stellen Sie das Ladegerät horizontal auf.</p>  A line drawing of a rectangular charging device with four slots on top, resting horizontally on a flat surface. A vertical line is drawn to the left of the device, indicating its orientation.

2.7

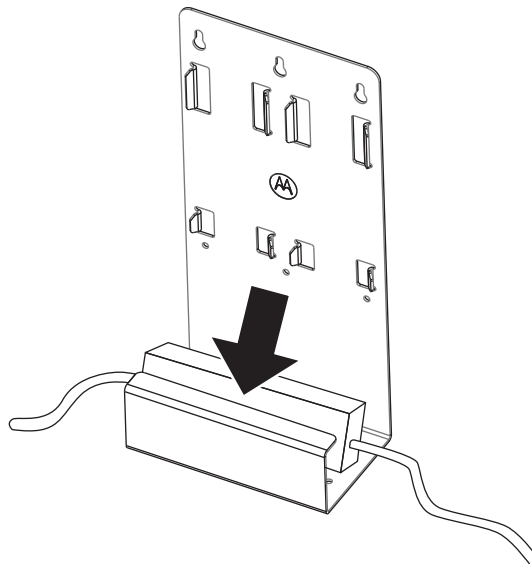
Vorbereiten von Ladegeräten für die vertikale Ladeposition

Voraussetzungen:

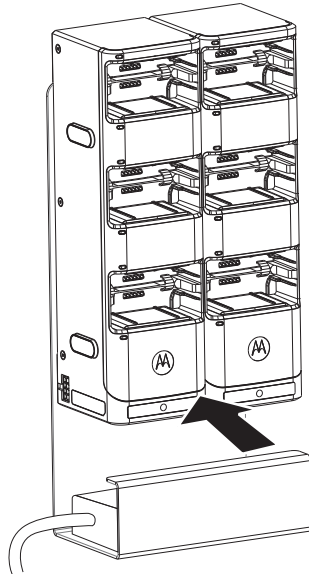
Stellen Sie sicher, dass die Montagehalterung an der Wand montiert ist und die Ladegeräte vor der Montage in der Montagehalterung kombiniert sind.

Vorgehensweise:

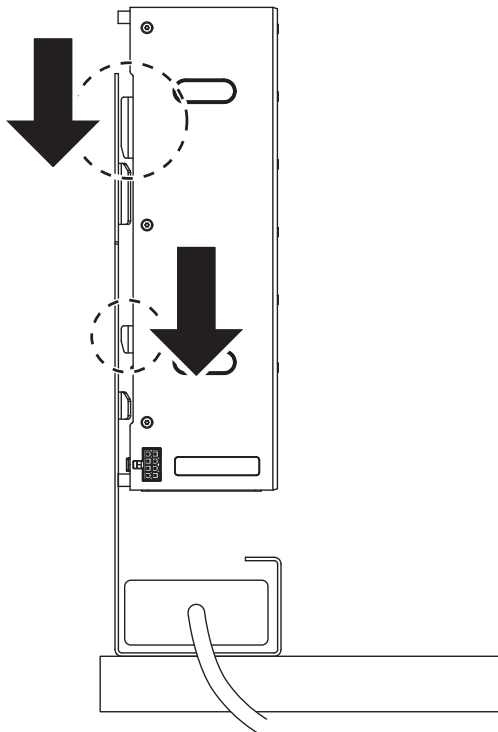
1. Setzen Sie den Netzteiladapter in die Montagehalterung ein.



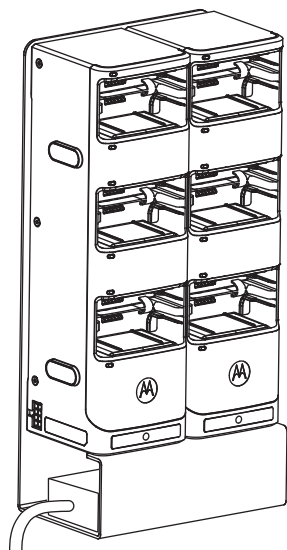
2. Positionieren Sie das Ladegerät, und lehnen Sie es an die Halterung.



3. Richten Sie die hinteren Schienen am Ladegerät an der Montagehalterung aus.
4. Schieben Sie das Ladegerät nach unten, um es an beiden Schienen zu befestigen.



5. Stellen Sie sicher, dass beide Schienen befestigt sind, bevor Sie das Ladegerät loslassen.



Guía de usuario del cargador para varias unidades L6Q PMPN4003

OCTUBRE DE 2023

© 2023 Motorola Solutions, Inc. All Rights Reserved.



MN010173A01-AA

Contenido

Información legal y de seguridad.....	3
Capítulo 1: Descripción general del cargador.....	7
1.1 Descripción general de los accesorios del cargador.....	8
1.2 Baterías, cables de alimentación y fuentes de alimentación autorizados.....	8
1.3 Equipo opcional.....	9
Capítulo 2: Operaciones del cargador.....	10
2.1 Carga de las baterías.....	10
2.2 Indicadores de carga.....	11
2.3 Combinación de cargadores para varias unidades.....	11
2.4 Separación de los cargadores para varias unidades.....	13
2.5 Instalación del soporte de montaje en la pared.....	14
2.6 Preparación de los cargadores para la carga de escritorio.....	16
2.7 Preparación de los cargadores para la posición de carga vertical.....	17

Información legal y de seguridad

En esta sección se proporciona información legal y de seguridad sobre este producto.

Marcas de certificación



Dirección de contacto

European Union Contact

Motorola Solutions,
Czerwone Maki 82,
30-392 Krakow, Poland

Propiedad intelectual y avisos normativos

Copyright

Los productos de Motorola Solutions descritos en el presente documento pueden incluir programas informáticos de Motorola Solutions protegidos por derechos de copyright. Las leyes de Estados Unidos y otros países garantizan determinados derechos exclusivos a Motorola Solutions sobre los programas informáticos protegidos por copyright. Por consiguiente, ningún programa informático de Motorola Solutions protegido por copyright incluido en los productos de Motorola Solutions descritos en este documento podrá copiarse ni reproducirse de ninguna forma sin el consentimiento expreso por escrito de Motorola Solutions.

Este documento no se podrá reproducir, transmitir, almacenar en un sistema de recuperación o traducir a ningún idioma o lenguaje informático, independientemente del formato o el medio, en su totalidad o en parte, sin el consentimiento previo por escrito de Motorola Solutions, Inc.

Marcas comerciales

MOTOROLA, MOTO, MOTOROLA SOLUTIONS, and the Stylized M Logo are trademarks or registered trademarks of Motorola Trademark Holdings, LLC and are used under license. All other trademarks are the property of their respective owners.

Derechos de licencia

La adquisición de los productos de Motorola Solutions no garantiza, ya sea de forma implícita o explícita, por impedimento legal o de la forma que fuese, ningún tipo de licencia con respecto a los derechos de autor, las patentes o las solicitudes de patentes de Motorola Solutions, excepto en los casos de uso de licencias normales no excluyentes sin regalías derivados de la aplicación de la ley en la venta de un producto.

Contenido de código abierto

Este producto puede contener software de código abierto utilizado bajo licencia. Consulte los medios de instalación del producto para ver el contenido completo sobre avisos legales de código abierto y atribución.

Directiva sobre residuos de aparatos eléctricos y electrónicos (RAEE) de la Unión Europea y Reino Unido



La directiva de la Unión Europea y la regulación de Reino Unido sobre residuos de aparatos eléctricos y electrónicos (RAEE) requieren que los productos que se vendan en los países de la UE y Reino Unido tengan el símbolo de la papelera tachada en la etiqueta del producto y, en algunos casos, en el embalaje. De acuerdo con lo establecido en la directiva RAEE, el símbolo de la papelera tachada significa que los clientes y los usuarios finales residentes en la UE y Reino Unido no deben desechar equipos ni accesorios eléctricos o electrónicos como residuos domésticos.

Los clientes o los usuarios finales de los países de la UE y Reino Unido deben ponerse en contacto con el representante del proveedor o servicio local del equipo para obtener información sobre el sistema de recogida de desechos de su país.

Descargo de responsabilidad

Tenga en cuenta que determinadas características, funciones y prestaciones descritas en este documento podrían no ser aplicables a un sistema específico o incluirse en la licencia de uso de este; también pueden depender de las características particulares de la unidad de abonado móvil específica o de la configuración de ciertos parámetros. Póngase en contacto con su distribuidor o representante de Motorola Solutions para obtener más información.

© 2023 Motorola Solutions, Inc. All Rights Reserved

Declaración de conformidad del proveedor

Declaración de conformidad del proveedor

Según la norma CFR 47 de la FCC, apartado 2, sección 2.1077(a)



Parte responsable

Nombre: Motorola Solutions, Inc.

Dirección: 2000 Progress Pkwy, Schaumburg, IL. 60196

Número de teléfono: 1-800-927-2744

Por la presente declara que el producto:

Modelo: **Cargador para varias unidades**

cumple con las siguientes normativas:

Apartado 15 de la FCC, subapartado B, sección 15.107(a) y 15.109(a)

Dispositivo digital de Clase B

Este dispositivo cumple lo establecido en el apartado 15 de las normativas de la FCC. El funcionamiento está sujeto a las dos condiciones siguientes:

1. Este dispositivo no puede causar interferencias perjudiciales.

2. Este dispositivo debe aceptar cualquier interferencia recibida, incluidas las que pudieran dar lugar a un funcionamiento no deseado.



NOTA:

Este equipo ha sido probado y se ajusta a los límites para un dispositivo digital de Clase B, de conformidad con el apartado 15 de las normativas de la FCC. Estos límites tienen como finalidad proporcionar una protección razonable contra interferencias perjudiciales en una instalación residencial. Este equipo genera, usa y puede irradiar energía de radiofrecuencia. Si no se instala y utiliza según las instrucciones, puede producir interferencias perjudiciales en las comunicaciones de radio. No obstante, no se garantiza que la interferencia no se produzca en una instalación determinada.

Si este equipo provoca interferencias perjudiciales en la recepción de señales de radio o televisión (lo cual podrá determinarse apagando y encendiendo el equipo), se recomienda al usuario que intente corregir la interferencia mediante una o varias de las siguientes medidas:

- Cambie la orientación o la ubicación de la antena receptora.
- Aumente la separación entre el equipo y el receptor.
- Conecte el equipo a una toma de un circuito distinto del utilizado para la conexión del receptor.
- Consulte al distribuidor o a un técnico cualificado de radio/TV para obtener ayuda.

Solo para Australia

Esta disposición se aplica a productos y servicios suministrados por Motorola Solutions a los consumidores según lo dispuesto en la legislación australiana sobre consumo. Esta garantía la proporciona Motorola Solutions Australia Pty Limited (ABN 16 004 742 312) de Tally Ho Business Park, 10 Wesley Court, Burwood East, Victoria. Nuestros productos se suministran con garantías que la legislación australiana sobre consumo no puede anular. En caso de fallos graves del servicio, tiene derecho a:

- Cancelar el contrato de servicio con nosotros.
- Un reembolso por la parte no utilizada o una compensación por su valor reducido.

En caso de fallos graves de productos, tiene derecho a una sustitución o un reembolso. Si el fallo en los productos o el servicio no equivale a un fallo grave, tiene derecho a que se corrija el fallo en un plazo razonable. En caso de que no se corrija, tiene derecho a un reembolso por los productos, y a cancelar el contrato del servicio y obtener un reembolso por cualquier parte no utilizada. También tiene derecho a recibir una compensación por cualquier otra pérdida o daño razonablemente previsible por un fallo en los productos o el servicio. Si tiene alguna duda, póngase en contacto con Motorola Solutions Australia a través del teléfono 1800 457 439. También puede visitar nuestro sitio web: https://www.motorolasolutions.com/en_xa/support.html para consultar los términos de garantía actuales.

Instrucciones de seguridad importantes

Este documento contiene instrucciones importantes sobre el uso y la seguridad.

Antes de usar el cargador de batería, lea todas las instrucciones y las señales de precaución sobre el cargador y la batería.



ADVERTENCIA:

Lea estas instrucciones atentamente y guárdelas para poder consultarlas en el futuro.

- Para reducir el riesgo de daños en el cable eléctrico, tire del enchufe y no del cable al desconectar el cable de la toma de CA o del cargador.
- Para reducir el riesgo de incendio o descarga eléctrica, evite utilizar un alargador. Si es necesario usar un alargador, asegúrese de que el tamaño del cable sea de 18 AWG para longitudes de hasta 2 m (6,5 pies) y de 16 AWG para longitudes de hasta 3 m (9,8 pies).
- Para reducir el riesgo de incendio, descarga eléctrica o lesiones, no utilice el cargador si está roto o dañado de algún modo. Llévelo a un representante del servicio técnico oficial de Motorola Solutions.
- Para reducir el riesgo de incendio o descarga eléctrica, no desmonte el cargador. No es posible repararlo y no hay piezas de repuesto disponibles.
- Para evitar el riesgo de descarga eléctrica, desenchufe el adaptador de corriente del cargador de la toma de CA antes de realizar cualquier tipo de actividad de mantenimiento o limpieza.
- Para reducir el riesgo de lesiones, cargue solo baterías recargables autorizadas. Otras baterías podrían explotar y causar lesiones personales y daños.
- Para reducir el riesgo de incendio, descarga eléctrica o lesiones, utilice únicamente los accesorios recomendados por Motorola Solutions.
- Los cambios o las modificaciones en este dispositivo que no hayan sido expresamente aprobados por Motorola Solutions podrían anular el permiso para utilizar este equipo.

Directrices de uso seguro

- Este equipo no se puede usar en exteriores. Utilícelo solo en ubicaciones y condiciones secas.
- La temperatura ambiente máxima del entorno del cargador no debe superar los 40 °C (104 °F).
- Conecte el cargador únicamente a un cable de alimentación adecuado indicado en *Lista de cables de alimentación autorizados por Motorola Solutions*.
- La toma de CA a la que se conecta el cable de alimentación debe estar cerca y ser fácilmente accesible.
- Asegúrese de que el cable de alimentación está situado en un lugar en el que nadie pueda pisarlo ni tropezarse, ni en el que pueda quedar expuesto a líquidos, daños o tensión.
- Conecte el cable de alimentación únicamente a una toma de CA del voltaje correcto con fusibles y cableado adecuados (tal como se detalla en el producto).

Descargo de responsabilidad

La información de este documento se ha analizado exhaustivamente y se considera totalmente fiable. No obstante, no se asume ninguna responsabilidad por las posibles imprecisiones.

Asimismo, Motorola Solutions se reserva el derecho de realizar cambios en cualquier producto para mejorar su legibilidad, funcionamiento o diseño. Motorola Solutions no asumirá ninguna responsabilidad derivada de las aplicaciones o del uso de cualquier producto o circuito descritos en el presente documento, ni cubrirá ninguna licencia en virtud de sus derechos de patente ni de los derechos de terceros.

Capítulo 1

Descripción general del cargador

Figura 1: Descripción general del cargador

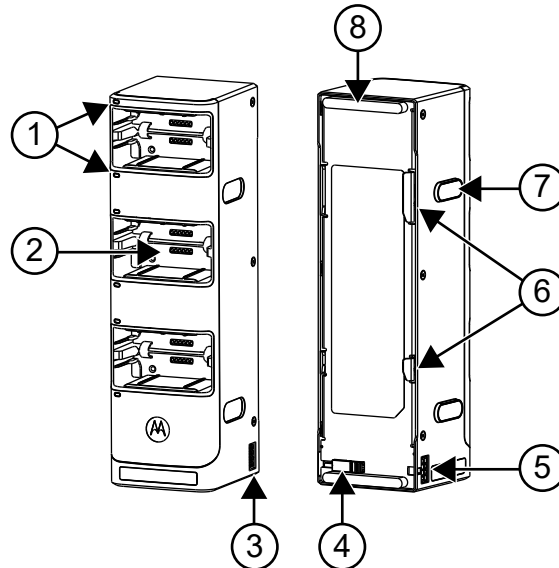


Tabla 1: Descripción general del cargador

Etiqueta	Descripción
1	Indicador LED
2	Compartimento de carga
3	Conector macho
4	Pestillo del conector macho
5	Conector hembra
6	Rieles del soporte de montaje
7	Imán
8	Soporte de goma

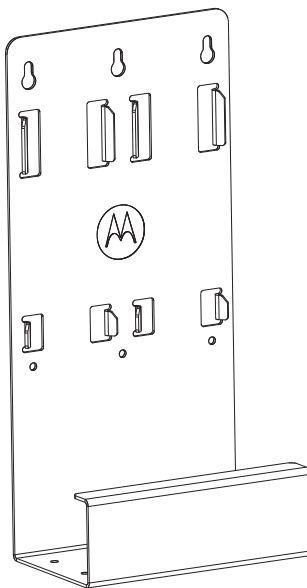
Tabla 2: Especificaciones del cargador

ENTRADA	SALIDA
15 V $\overline{\text{---}}$, 6 A (hasta 2 cargadores para varias unidades)	4,35 V $\overline{\text{---}}$, 1,25 A x 6 compartimentos

1.1

Descripción general de los accesorios del cargador

Figura 2: Descripción general del soporte de montaje (número de referencia: BR000628A01)



1.2

Baterías, cables de alimentación y fuentes de alimentación autorizados

Tabla 3: Baterías autorizadas por Motorola Solutions

Número de referencia	Descripción	Serie
PMPN4546	Batería de iones de litio, 5000 mAh	L6Q

Tabla 4: Cables de alimentación autorizados por Motorola Solutions

Número de referencia	Descripción
3087791G01	Cable de alimentación, Norteamérica
3087791G04	Cable de alimentación, Europa
3087791G07	Cable de alimentación, Reino Unido
3087791G10	Cable de alimentación, Australia/Nueva Zelanda
3087791G13	Cable de alimentación, Argentina
3087791G22	Cable de alimentación, Brasil

Tabla 5: Fuente de alimentación autorizada por Motorola Solutions

Kit del cargador	Fuente de alimentación	Descripción	Módulo
PMPN4003	PS000242A04	Externa de 90 W, 100-240 V	Hasta dos cargadores para varias unidades

1.3

Equipo opcional

Hay disponible un soporte de montaje (número de referencia: BR000628A01) para el cargador para varias unidades. Póngase en contacto con su distribuidor para solicitar este artículo. Para obtener instrucciones sobre la instalación, consulte [Instalación del soporte de montaje en la pared en la página 14](#).



ADVERTENCIA:

- La instalación del soporte de montaje debe realizarla un técnico formado y con experiencia. Recurrir a un técnico no especializado para instalar el soporte de montaje es peligroso y puede ocasionar daños o lesiones.
- No instale el soporte de montaje donde no se soporte el peso. Si la ubicación donde se instale el soporte de montaje no es lo suficientemente resistente, puede caerse y provocar lesiones.
- No instale el soporte de montaje en una estructura que sea propensa a vibraciones, movimientos o impactos.

Capítulo 2

Operaciones del cargador

En esta sección se incluye la información de carga del cargador.

2.1

Carga de las baterías

Requisitos previos:

Utilice únicamente baterías autorizadas por Motorola Solutions. Cargue las baterías a temperatura ambiente. Utilice únicamente el cargador asignado al cargar las baterías compatibles.

Procedimiento:

1. Coloque el cargador para varias unidades en una superficie plana.



NOTA:

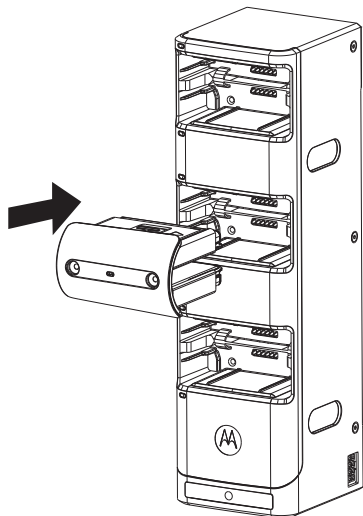
Si tiene más de un cargador para varias unidades, se recomienda colocarlo en posición vertical montado en el soporte de montaje.

2. Inserte el adaptador de la fuente de alimentación en el conector hembra del cargador para varias unidades.
3. Enchufe el adaptador de la fuente de alimentación a la toma de corriente.

Si el cargador para varias unidades se enciende correctamente, el indicador LED se ilumina en verde durante un segundo.

Si el cargador para varias unidades no se enciende correctamente, compruebe la conexión del cable de alimentación.

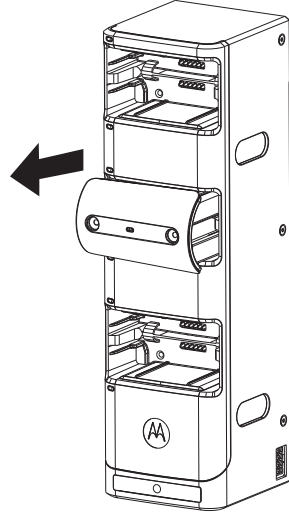
4. Alinee las baterías (2) e insértelas con la bandeja de baterías en el compartimento del cargador.



5. Asegúrese de que la batería entra en contacto con el cargador.

Si la batería se inserta correctamente y se está cargando en el modo de carga rápida, el indicador LED se ilumina en rojo fijo.

6. Para extraer las bandejas de baterías del compartimento del cargador, tire de ellas hacia fuera del compartimento del cargador.



2.2

Indicadores de carga

Tabla 6: Indicadores de carga

Indicador de carga		Descripción
Verde fijo durante 1 segundo		El cargador se ha encendido correctamente.
Rojo fijo		La batería se está cargando rápidamente.
Verde intermitente		La batería está cargada hasta el 90 % o más de su capacidad.
Verde fijo		La batería está cargada al 95 % o más de su capacidad.
Rojo intermitente		La batería presenta un fallo. NOTA: Extraiga la batería del compartimento del cargador y vuelva a insertarla en él.
Ámbar intermitente		La batería está en modo de espera de carga. NOTA: La batería podría estar demasiado caliente o demasiado fría, o el voltaje es bajo.

2.3

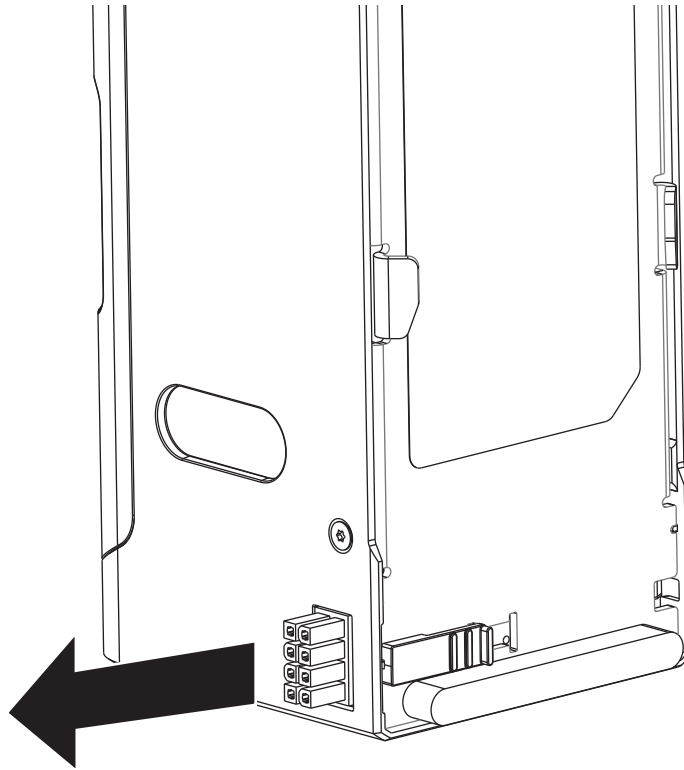
Combinación de cargadores para varias unidades

Requisitos previos:

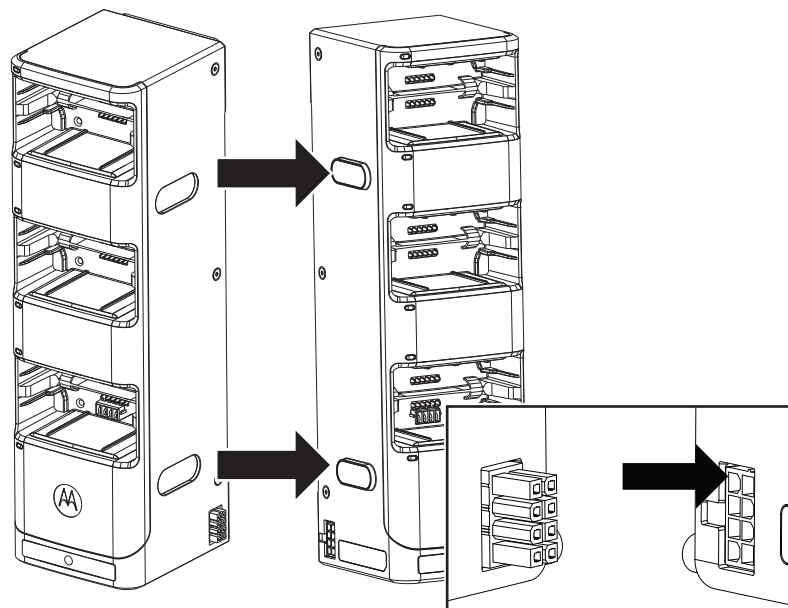
El número máximo de cargadores para varias unidades que se pueden combinar son dos.

Procedimiento:

1. Coloque los cargadores sobre la mesa como apoyo antes de combinarlos.
2. Para extender el conector, presione y empuje el pestillo del conector macho hacia la izquierda.

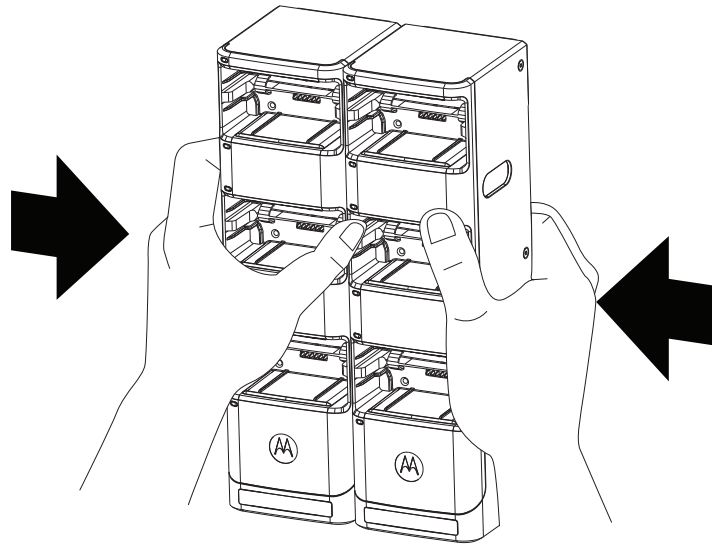


3. Para combinar los cargadores, conecte el conector macho al conector hembra.



Cuando están conectados, los imanes de los cargadores los mantienen juntos.

4. Sujete los laterales de los cargadores combinados cuando vaya a trasladarlos a otra ubicación.

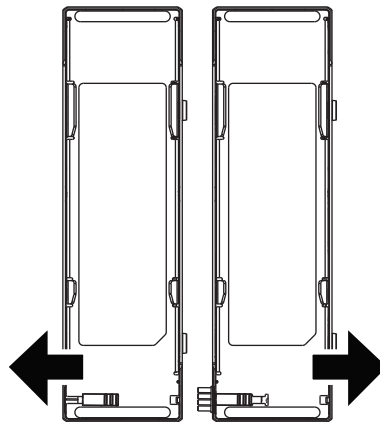


2.4

Separación de los cargadores para varias unidades

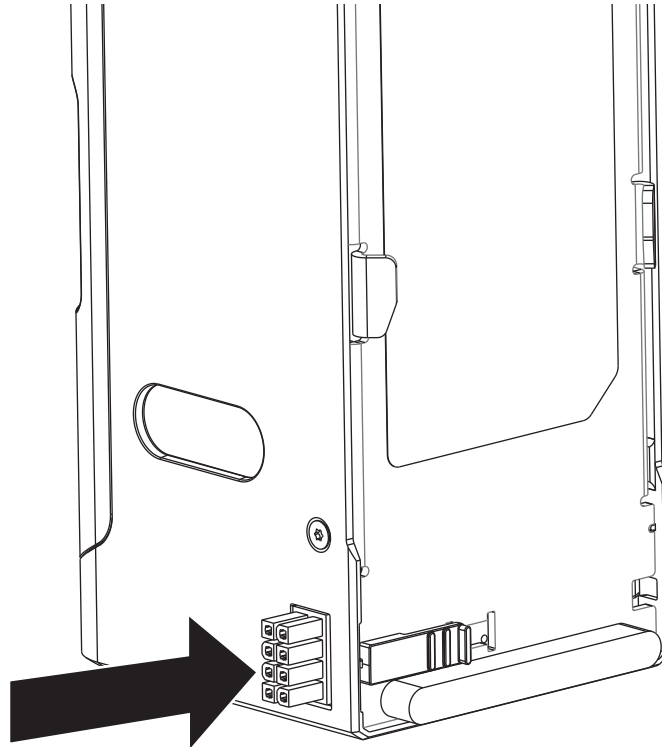
Procedimiento:

1. Coloque los cargadores combinados sobre la mesa.
2. Para separar los cargadores combinados, separe cada uno de ellos.



NOTA:

No gire un cargador mientras separe los conectores para evitar dañarlos.



3. Para retraer el conector macho de nuevo en el cargador, presione el pestillo del conector macho y empújelo hacia la derecha.

2.5

Instalación del soporte de montaje en la pared

El soporte de montaje es un equipo opcional. Consulte [Equipo opcional en la página 9](#) para obtener más información.

Procedimiento:

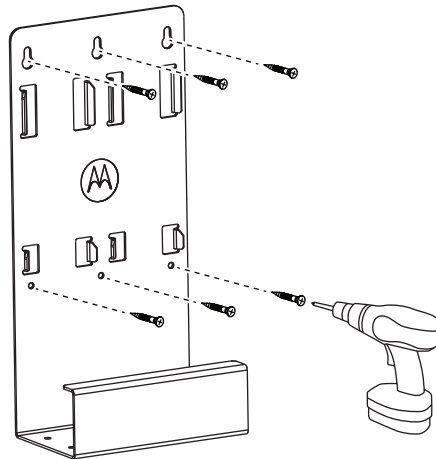
1. Coloque el soporte y marque la ubicación de los orificios de montaje en la superficie de la pared.



PRECAUCIÓN:

Asegúrese de que el área situada detrás de la superficie de montaje siempre esté libre de cables eléctricos, cables o tuberías antes de cortar, taladrar o instalar los tornillos de montaje.

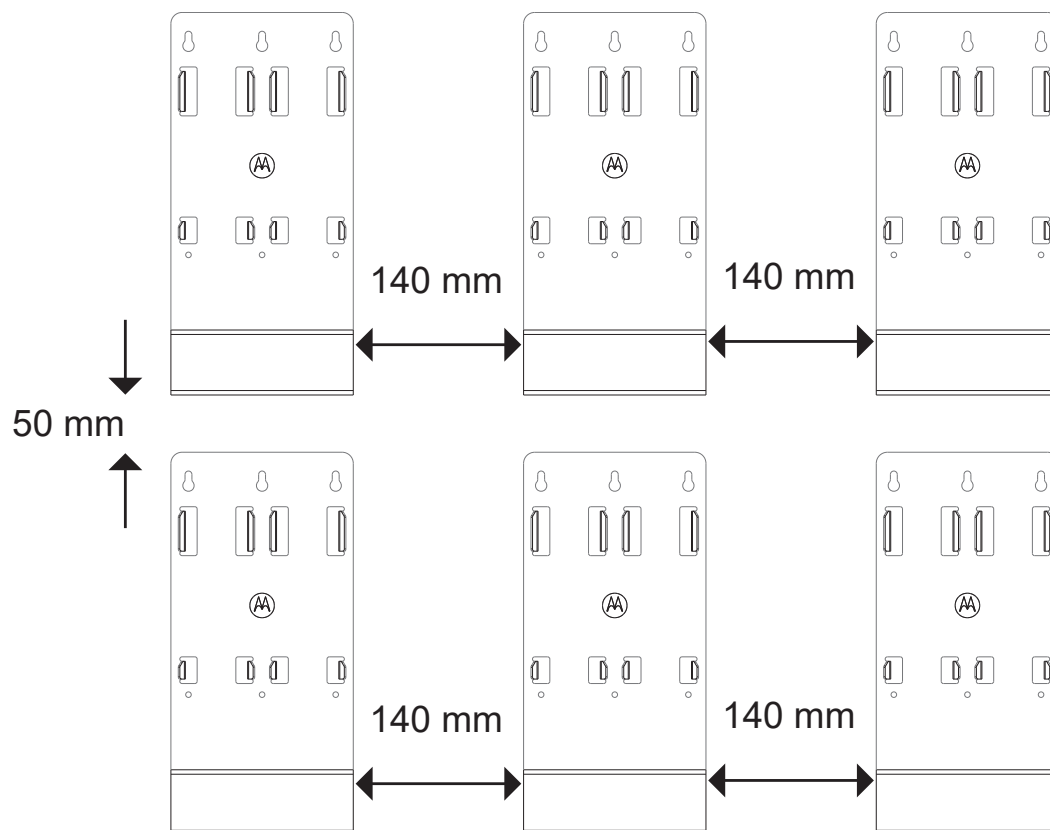
2. Monte el soporte en la pared con los componentes de montaje adecuados, como los anclajes para paneles de yeso. Los orificios de montaje superiores tienen una función deslizante para facilitar el montaje.
3. Perfore según los orificios de montaje marcados en la pared.
4. Para fijar el soporte, instale firmemente los componentes de montaje sobre los orificios de montaje del soporte.



NOTA:

Se recomienda utilizar un tornillo roscante de 25,4-40,6 x 3,8 cm (10"-16" x 1,5") con una arandela (no se incluye) en montantes de madera y paredes sólidas y planas de hormigón o ladrillo.

5. Monte los soportes adicionales con una distancia mínima de 50 mm en vertical y 140 mm en horizontal entre sí.


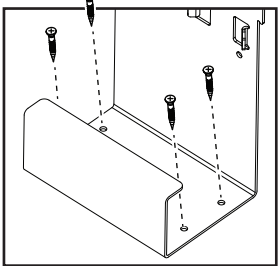
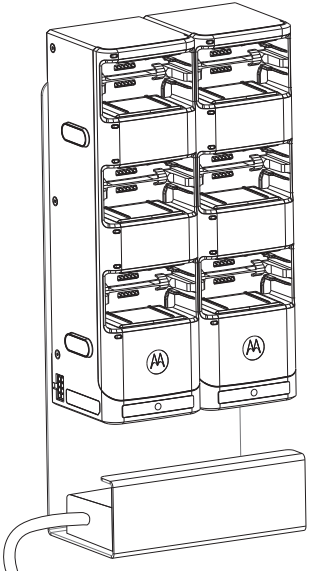


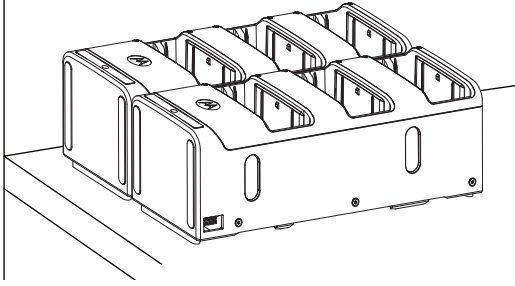
2.6

Preparación de los cargadores para la carga de escritorio

Procedimiento:

Prepare el cargador para la carga de escritorio mediante una de las siguientes acciones:

Opción	Acción
Carga con soporte de montaje	<p> NOTA:</p> <ul style="list-style-type: none">• Si el cargador se coloca en posición vertical, se recomienda colocarlo en el soporte de montaje para evitar que se caiga.• Se recomienda utilizar un tornillo roscante de 25,4-40,6 x 3,8 cm (10"-16" x 1,5") para montar el soporte en la superficie de una mesa.• Asegúrese de que los tornillos no atraviesen la mesa. <p>a. Atornille el soporte de pared a la mesa.</p>  <p>b. Coloque la fuente de alimentación dentro del soporte de pared.</p> 

Opción	Acción
Carga sin soporte de metal	<p>a. Coloque el cargador en posición horizontal.</p> 

2.7

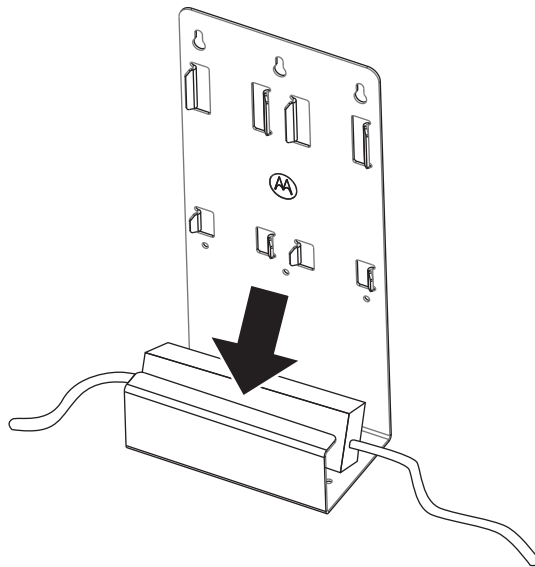
Preparación de los cargadores para la posición de carga vertical

Requisitos previos:

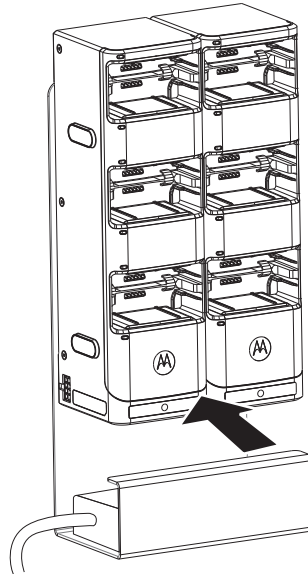
Asegúrese de que el soporte de montaje está colocado en la pared y de que los cargadores están combinados antes de montarlos en el soporte de montaje.

Procedimiento:

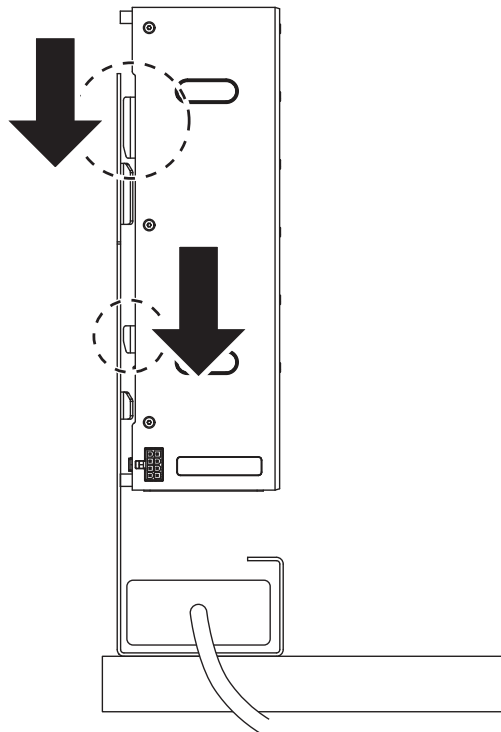
1. Coloque el adaptador de la fuente de alimentación en el soporte de montaje.



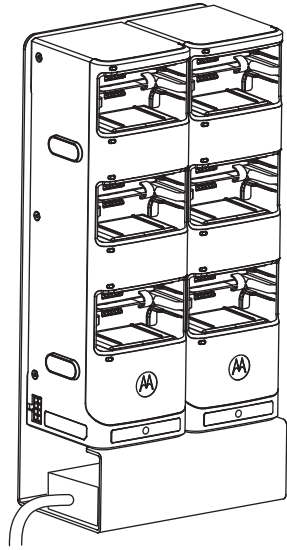
2. Coloque e incline el cargador en el soporte.



3. Alinee los rieles posteriores del cargador con los rieles del soporte de montaje.
4. Deslice el cargador hacia abajo para acoplarlo a ambos rieles.



5. Asegúrese de que ambos rieles están acoplados antes de sacar el cargador.



Guide de l'utilisateur du chargeur pour unités multiples L6Q PMPN4003

OCTOBRE 2023

© 2023 Motorola Solutions, Inc. All Rights Reserved.



MN010173A01-AA

Table des matières

Informations légales et de sécurité.....	3
Chapitre 1 : Présentation du chargeur.....	8
1.1 Présentation des accessoires du chargeur.....	9
1.2 Batteries, cordons d'alimentation et blocs d'alimentation agréés.....	9
1.3 Matériel en option.....	10
Chapitre 2 : Fonctionnement du chargeur.....	11
2.1 Charge des batteries.....	11
2.2 Indications de charge.....	12
2.3 Combinaison des chargeurs pour unités multiples.....	12
2.4 Séparation des chargeurs pour unités multiples.....	14
2.5 Fixation du support de montage au mur.....	15
2.6 Préparation des chargeurs pour la charge de bureau.....	17
2.7 Préparation des chargeurs en vue d'une position de charge verticale.....	18

Informations légales et de sécurité

Cette section contient des informations légales et de sécurité relatives à ce produit.

Marques de certification



Adresse de contact

European Union Contact
Motorola Solutions,
Czerwone Maki 82,
30-392 Krakow, Poland

Propriété intellectuelle et avis réglementaires

Copyrights

Les produits Motorola Solutions décrits dans ce document peuvent inclure des programmes informatiques Motorola Solutions protégés par un copyright. Les lois des États-Unis et d'autres pays garantissent certains droits exclusifs à Motorola Solutions pour ces programmes informatiques protégés par un copyright. En conséquence, il est interdit de copier ou de reproduire, de quelque manière que ce soit, les programmes informatiques Motorola Solutions protégés par un copyright contenus dans les produits Motorola Solutions décrits dans ce document sans l'autorisation expresse et écrite de Motorola Solutions.

Aucune partie du présent document ne peut être reproduite, transmise, stockée dans un système de récupération ou traduite dans toute autre langue ou tout autre langage informatique, sous quelque forme ou par quelque moyen que ce soit, sans l'autorisation écrite préalable de Motorola Solutions, Inc.

Marques

MOTOROLA, MOTO, MOTOROLA SOLUTIONS, and the Stylized M Logo are trademarks or registered trademarks of Motorola Trademark Holdings, LLC and are used under license. All other trademarks are the property of their respective owners.

Droits de licence

L'acquisition de produits Motorola Solutions ne saurait en aucun cas conférer de licence, directement, indirectement ou de toute autre manière, en vertu des droits d'auteur, brevets ou demandes de brevet appartenant à Motorola Solutions, autres que la licence habituelle d'utilisation non exclusive et libre de droit qui découle légalement de la vente du produit.

Contenu Open Source

Ce produit peut contenir un logiciel Open Source utilisé sous licence. Reportez-vous au support d'installation du produit pour consulter les mentions légales et les informations d'attribution Open Source complètes.

Directive relative aux déchets d'équipements électriques et électroniques (DEEE) pour l'Union européenne et pour le Royaume-Uni



La directive DEEE de l'Union européenne et celle du Royaume-Uni stipulent que les produits vendus au sein de l'UE et du Royaume-Uni doivent présenter le symbole d'une poubelle barrée (directement sur le produit ou sur l'emballage dans certains cas). Comme indiqué par la directive DEEE, l'étiquette de la poubelle barrée signifie que les clients et les utilisateurs finaux au sein de l'UE et du Royaume-Uni ne doivent pas mettre au rebut les équipements et les accessoires électriques et électroniques avec les déchets ménagers.

Les clients ou les utilisateurs finaux au sein de l'UE et du Royaume-Uni doivent prendre contact avec le représentant local du fournisseur de leur équipement ou le centre de service pour obtenir des informations sur le système de collecte des déchets dans leur pays.

Limitation de responsabilité

Notez que certaines fonctionnalités, fonctions et caractéristiques décrites dans ce document peuvent ne pas s'appliquer ou faire l'objet d'une licence pour une utilisation sur un système spécifique, ou peuvent dépendre des caractéristiques d'un terminal radio mobile spécifique ou de la configuration de certains paramètres. Contactez votre représentant Motorola Solutions pour en savoir plus.

© 2023 Motorola Solutions, Inc. All Rights Reserved

Déclaration de conformité du fournisseur

Déclaration de conformité du fournisseur

En vertu de la réglementation FCC CFR 47, Partie 2, Section 2.1077(a)



Partie compétente

Nom : Motorola Solutions, Inc.

Adresse : 2000 Progress Pkwy, Schaumburg, IL. 60196

Numéro de téléphone : 1-800-927-2744

Déclare par la présente que le produit :

Nom du modèle : **Chargeur pour unités multiples**

est conforme aux réglementations suivantes :

FCC, Partie 15, sous-partie B, section 15.107(a) et section 15.109(a)

Appareil numérique de classe B

Cet appareil respecte les règles de la Partie 15 de la FCC. Il peut être utilisé dans les deux conditions suivantes :

1. Cet appareil ne doit pas provoquer d'interférences nuisibles et

2. Cet appareil doit accepter toutes les interférences reçues, y compris celles qui risquent de provoquer un fonctionnement non souhaité.



REMARQUE :

Cet appareil a été testé et les résultats de ces tests ont révélé qu'il respecte les limites d'un appareil numérique de classe B en conformité avec les dispositions de la Partie 15 des règles de la FCC. Ces limites sont conçues pour offrir une protection raisonnable contre les interférences dangereuses dans une installation résidentielle. Cet appareil produit, utilise et peut émettre un rayonnement électromagnétique et, s'il n'est pas installé et employé en conformité avec ces instructions, peut provoquer des interférences nuisibles pour les communications radios. Cependant, il est impossible de garantir qu'aucune interférence ne se produira dans certaines installations.

Si cet appareil provoque des interférences qui affectent la réception d'un poste de radio ou de télévision, ce que vous pouvez déterminer en éteignant puis en rallumant l'appareil, nous vous encourageons à essayer de les corriger en employant au moins l'une des méthodes suivantes :

- Réorientez ou déplacez l'antenne de réception.
- Éloignez l'appareil du récepteur.
- Branchez cet appareil sur la prise d'un circuit différent de celui sur lequel le récepteur est branché.
- Consultez le fournisseur ou un technicien en radio et télévision expérimenté pour obtenir une assistance.

Pour l'Australie uniquement

Cette disposition s'applique aux produits et services Motorola Solutions destinés aux consommateurs au sens de la loi australienne de protection du consommateur. Cette garantie est fournie par Motorola Solutions Australia Pty Limited (ABN16 004 742 312) of Tally Ho Business Park, 10 Wesley Court, Burwood East, Victoria. Nos produits s'accompagnent de garanties qui ne peuvent être exclues en vertu de la loi australienne de protection du consommateur (Australia Consumer Law). En cas de défaillances majeures du service, vous avez droit :

- d'annuler votre contrat de service avec nous, et
- à un remboursement de la partie inutilisée, ou à une compensation pour sa valeur réduite.

Vous avez droit à un remplacement ou un remboursement suite à une défaillance majeure d'un produit. Si une défaillance du produit ou du service ne constitue pas une défaillance majeure, vous avez le droit à une réparation/rectification de la défaillance dans un délai raisonnable. Si cela n'est pas fait, vous avez droit à un remboursement du produit et vous avez la possibilité d'annuler le contrat de service et d'obtenir un remboursement de toute partie inutilisée. Vous avez également le droit d'être indemnisé pour toute autre perte ou dommage raisonnablement prévisible résultant d'une défaillance des produits ou services. Pour toute question, veuillez contacter Motorola Solutions Australia au 1800 457 439. Vous pouvez également vous rendre sur notre site Web à l'adresse https://www.motorolasolutions.com/en_xa/support.html pour connaître les conditions de garantie en vigueur.

Consignes de sécurité importantes

Ce document contient des instructions d'utilisation et de sécurité importantes.

Avant d'utiliser le chargeur de batterie, lisez toutes les instructions et mises en garde figurant sur le chargeur et la batterie.



AVERTISSEMENT :

Lisez attentivement ces instructions et conservez-les pour pouvoir les consulter ultérieurement.

- Lorsque vous déconnectez le cordon d'alimentation de la prise secteur ou du chargeur, tirez sur la prise et non sur le cordon afin d'éviter de les endommager.
- Pour réduire les risques d'incendie ou d'électrocution, évitez d'utiliser une rallonge. Si vous devez utiliser une rallonge, veillez à utiliser un câble 18 AWG pour les longueurs de 2 mètres maximum et un câble 16 AWG pour les longueurs de 3 mètres maximum.
- Pour réduire les risques d'incendie, d'électrocution ou de blessure, n'utilisez pas le chargeur s'il est cassé ou endommagé. Confiez-le à un technicien de maintenance Motorola Solutions agréé.
- Pour réduire les risques d'incendie ou d'électrocution, ne démontez pas le chargeur. Il ne peut pas être réparé et aucune pièce de rechange n'est disponible.
- Pour réduire les risques d'électrocution, débranchez le chargeur de la prise secteur avant de tenter d'effectuer toute opération d'entretien ou de nettoyage.
- Pour réduire les risques de blessure, chargez uniquement des batteries rechargeables agréées. D'autres batteries risqueraient d'exploser et de provoquer des dommages matériels et corporels.
- Pour réduire les risques d'incendie, d'électrocution ou de blessure, utilisez uniquement les accessoires recommandés par Motorola Solutions.
- Tout changement apporté à cet appareil non expressément approuvé par Motorola Solutions peut entraîner la révocation du droit d'utiliser cet appareil.

Consignes de sécurité lors du fonctionnement

- Cet appareil n'est pas adapté à une utilisation en extérieur. Utilisez-le uniquement dans des conditions et environnements secs.
- La température ambiante maximale autour du chargeur ne doit pas dépasser 40 °C (104 °F).
- Connectez le chargeur uniquement à un cordon d'alimentation approprié, répertorié dans la liste des *Cordons d'alimentation agréés par Motorola Solutions*.
- La prise secteur à laquelle est connecté le cordon d'alimentation doit être proche et facilement accessible.
- Assurez-vous que le cordon d'alimentation est placé de façon à ce que personne ne puisse le piétiner ou qu'il ne risque de faire trébucher personne et à ce qu'il ne puisse pas être mouillé, endommagé ou détendu.
- Connectez le cordon d'alimentation uniquement à une prise secteur correctement câblée, protégée par un fusible et dont la tension est correcte, comme indiqué sur le produit.

Limitation de responsabilité

Les informations contenues dans le présent document sont étudiées attentivement et sont considérées comme totalement fiables. Aucune responsabilité ne peut toutefois être acceptée pour d'éventuelles inexactitudes.

En outre, Motorola Solutions se réserve le droit de changer tout produit afin d'en améliorer la lisibilité, le fonctionnement ou la conception. Motorola Solutions n'accepte aucune responsabilité résultant des applications ou de l'utilisation d'un produit ou circuit décrit dans le présent document et n'inclut aucune licence dans ses droits de brevet ni les droits d'autre nature.

Chapitre 1

Présentation du chargeur

Figure 1 : Présentation du chargeur

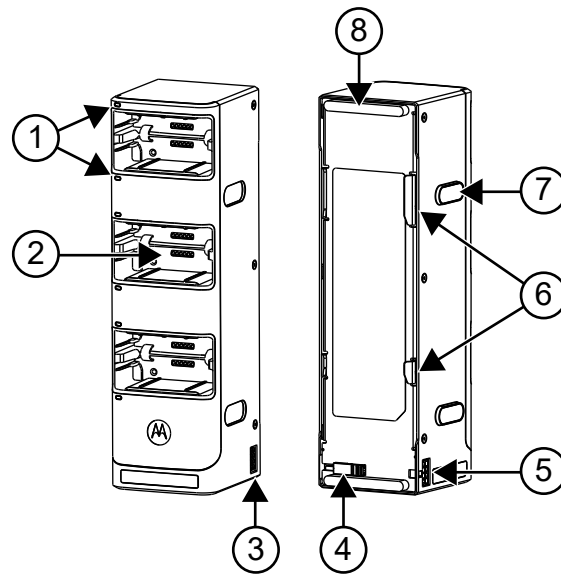


Tableau 1 : Présentation du chargeur

Étiquette	Description
1	LED
2	Compartiment de charge
3	Connecteur mâle
4	Loquet du connecteur mâle
5	Connecteur femelle
6	Rails du support de montage
7	Aimant
8	Pied en caoutchouc

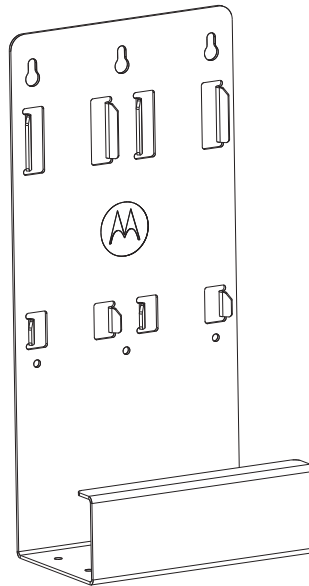
Tableau 2 : Caractéristiques du chargeur

ENTRÉE	SORTIE
15 V $\overline{\text{---}}$, 6 A (jusqu'à 2 chargeurs pour unités multiples)	6 compartiments 4,35 V $\overline{\text{---}}$, 1,25 A

1.1

Présentation des accessoires du chargeur

Figure 2 : Présentation du support de montage (référence : BR000628A01)



1.2

Batteries, cordons d'alimentation et blocs d'alimentation agréés

Tableau 3 : Batteries agréées par Motorola Solutions

Référence	Description	Série
PMPN4546	Batterie lithium-ion, 5000 mAh	L6Q

Tableau 4 : Cordons d'alimentation agréés par Motorola Solutions

Référence	Description
3087791G01	Cordon d'alimentation, Amérique du Nord
3087791G04	Cordon d'alimentation, Europe
3087791G07	Cordon d'alimentation, Royaume-Uni
3087791G10	Cordon d'alimentation, Australie/Nouvelle-Zélande
3087791G13	Cordon d'alimentation, Argentine
3087791G22	Cordon d'alimentation, Brésil

Tableau 5 : Bloc d'alimentation agréé par Motorola Solutions

Kit de chargeur	Bloc d'alimentation	Description	Module
PMPN4003	PS000242A04	90 W externe, 100 à 240 V	Jusqu'à deux chargeurs pour unités multiples

1.3

Matériel en option

Un support de montage (référence : BR000628A01) est disponible pour le chargeur pour unités multiples. Contactez votre revendeur pour commander cet article. Reportez-vous à la section [Fixation du support de montage au mur à la page 15](#) pour consulter les instructions d'installation.

**AVERTISSEMENT :**

- Ce support de montage doit être installé par un technicien qualifié et expérimenté. L'installation du support de montage par un technicien non spécialisé peut être dangereuse et risque de provoquer des dommages ou blessures.
- N'installez pas le support de montage sur une surface ne pouvant pas supporter son poids. Si l'emplacement n'est pas assez solide, le support mural risque de se détacher et d'entraîner des blessures.
- N'installez pas le support de montage sur une structure sujette aux vibrations, mouvements ou risques de choc.

Chapitre 2

Fonctionnement du chargeur

Cette section contient les informations de charge de votre chargeur.

2.1

Charge des batteries

Prérequis :

utilisez uniquement des batteries Motorola Solutions agréées. Chargez vos batteries à température ambiante. Utilisez uniquement le chargeur attribué lorsque vous chargez les batteries prises en charge.

Procédure :

1. Posez le chargeur pour unités multiples horizontalement sur une surface plane.



REMARQUE :

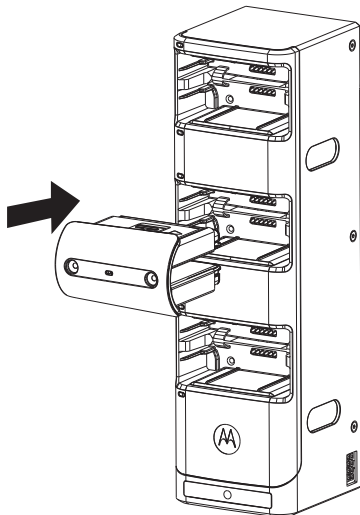
si vous disposez de plusieurs chargeurs pour unités multiples, il est recommandé de les placer en position verticale sur le support de montage.

2. Insérez l'adaptateur d'alimentation dans le connecteur femelle du chargeur pour unités multiples.
3. Branchez l'adaptateur d'alimentation sur la prise secteur.

Si le chargeur pour unités multiples se met sous tension, la LED s'allume en vert pendant une seconde.

Si le chargeur pour unités multiples ne se met pas sous tension, vérifiez la connexion du cordon d'alimentation.

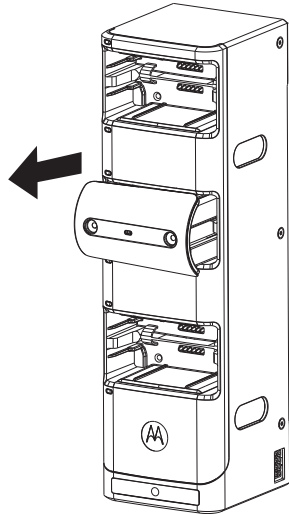
4. Alignez les batteries sur le support de batterie et insérez-les dans le compartiment du chargeur.



5. Assurez-vous que la batterie entre bien en contact avec les contacts du chargeur.









Si la batterie est correctement insérée et qu'elle est en cours de charge en mode de charge rapide, la LED s'allume en rouge.

6. Pour retirer les supports de batterie du chargeur, retirez-les du compartiment.



2.2 Indications de charge

Tableau 6 : Indications de charge

Indicateur de charge		Description
Vert fixe pendant 1 seconde		Mise sous tension du chargeur réussie.
Rouge fixe		La batterie se recharge rapidement.
Vert clignotant		Batterie chargée à 90 % ou plus.
Vert fixe		La batterie est chargée à 95 % ou plus.
Rouge clignotant		La batterie est défectueuse.  REMARQUE : Retirez et réinsérez la batterie dans le compartiment du chargeur.
Orange clignotant		La batterie est en mode veille et en attente de charge.  REMARQUE : La batterie est peut-être trop chaude, trop froide ou la tension est trop basse.

2.3 Combinaison des chargeurs pour unités multiples

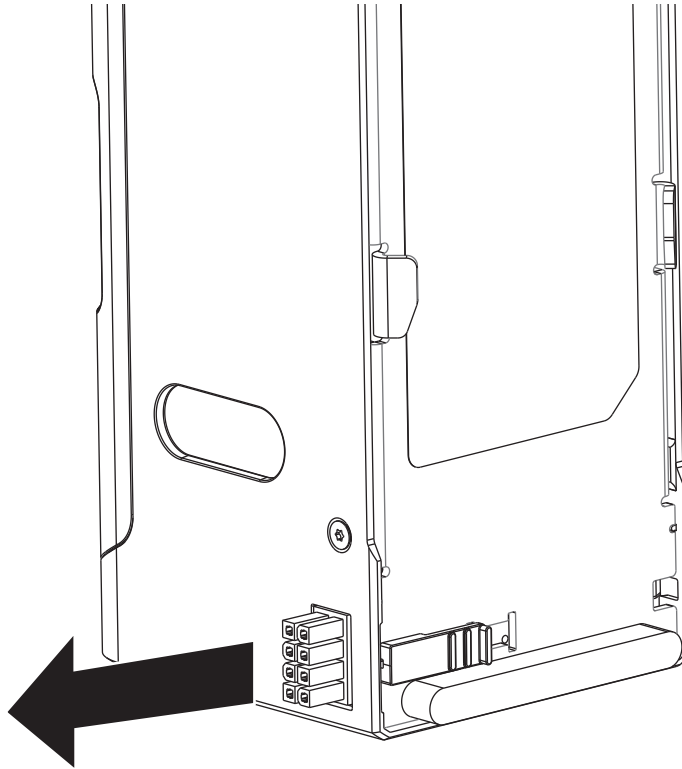
Prérequis :

il est possible de combiner deux chargeurs pour unités multiples au maximum.

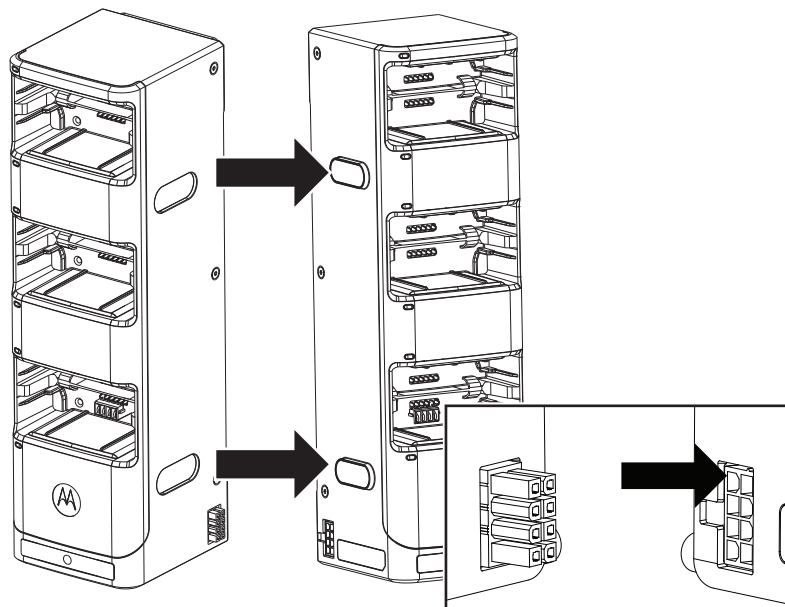
Procédure :

1. Placez les chargeurs sur le bureau avant de les combiner.

2. Pour étendre le connecteur, appuyez sur le loquet du connecteur mâle et poussez-le vers la gauche.

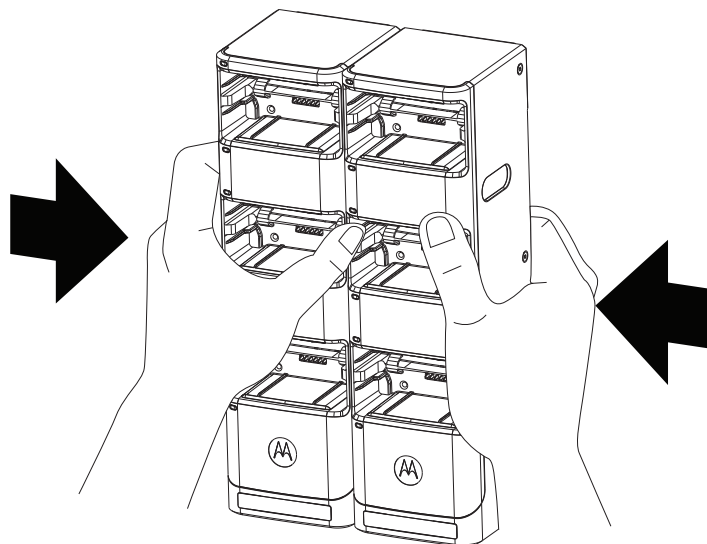


3. Pour combiner les chargeurs, raccordez le connecteur mâle et le connecteur femelle.



Les aimants des chargeurs les maintiennent accolés lorsqu'ils sont connectés.

4. Maintenez les chargeurs combinés par les côtés si vous les déplacez.

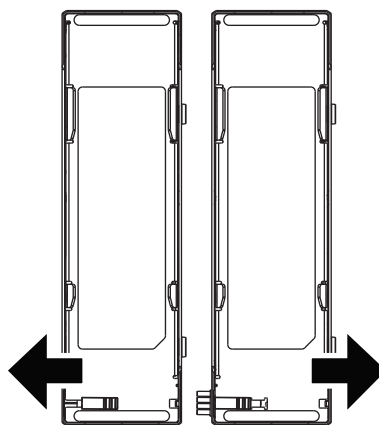


2.4

Séparation des chargeurs pour unités multiples

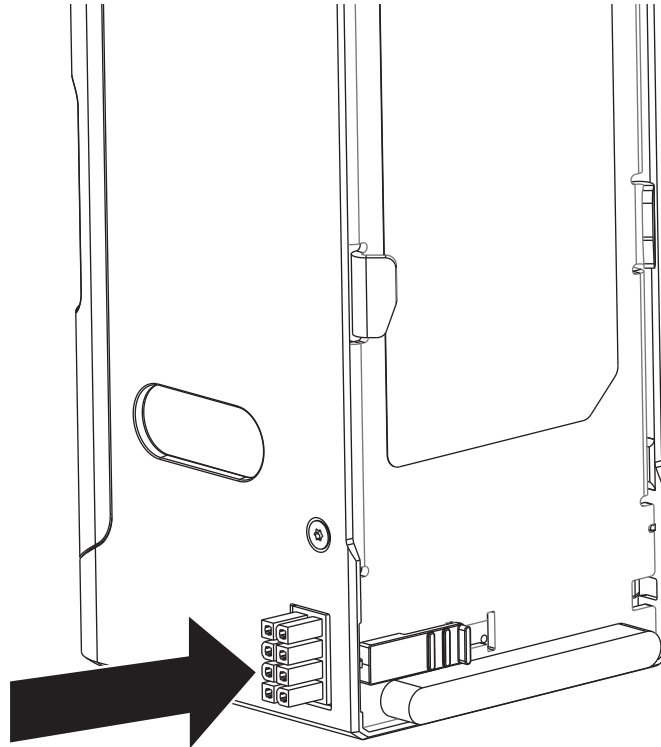
Procédure :

1. Placez les chargeurs combinés sur le bureau.
2. Pour séparer les chargeurs combinés, détachez-les.



REMARQUE :

n'exercez pas de torsion sur les chargeur lorsque vous les séparez afin de ne pas endommager les connecteurs.



3. Pour replacer le connecteur mâle dans le chargeur, appuyez sur le loquet du connecteur mâle et poussez-le vers la droite.

2.5

Fixation du support de montage au mur

Le support de montage est un équipement facultatif. Consultez [Matériel en option à la page 10](#) pour plus d'informations.

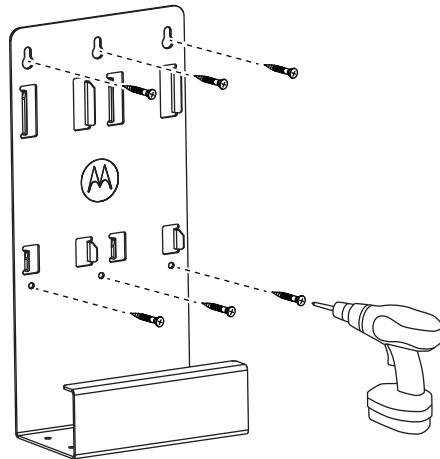
Procédure :

1. Positionnez le support et marquez l'emplacement des trous de montage sur le mur.



ATTENTION :

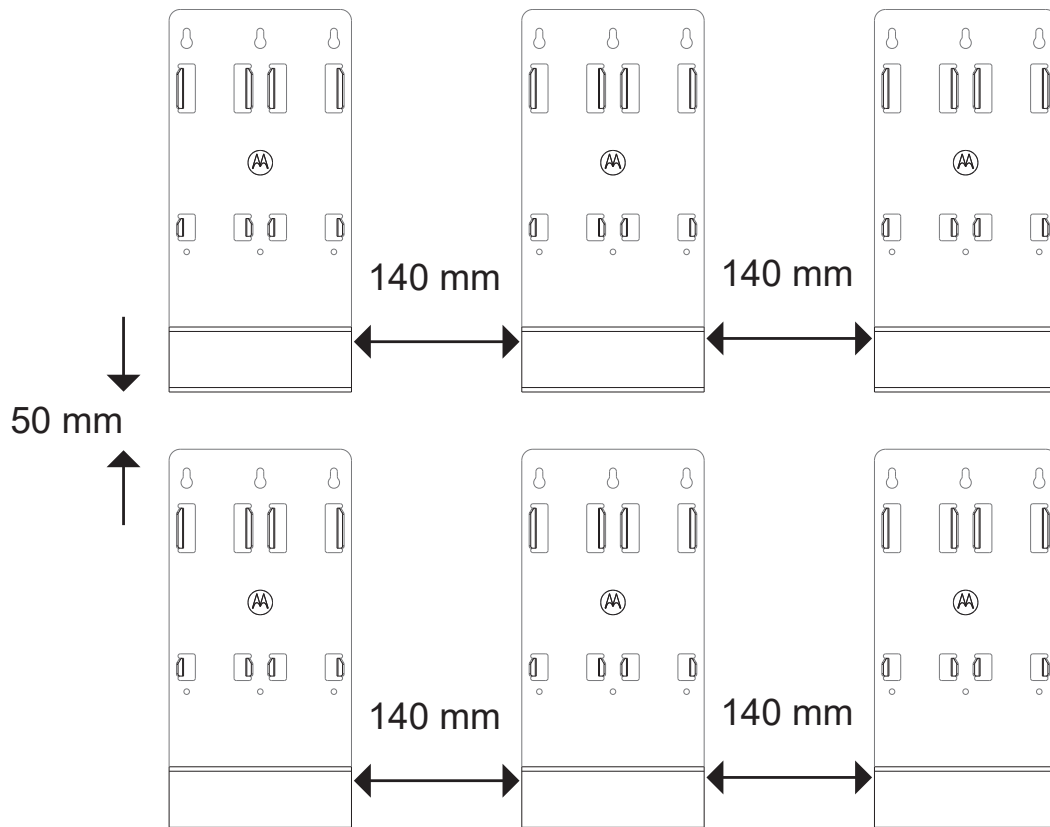
- assurez-vous que la zone derrière la surface de montage ne présente pas de fils électriques, de câbles ou de tuyaux avant de découper, percer ou installer les vis de montage.
2. Montez le support au mur en utilisant du matériel de montage approprié (par ex. des chevilles). Les trous de montage supérieurs peuvent être coulissés afin de faciliter le montage.
 3. Percez en vous basant sur les marques des trous de fixation figurant sur le mur.
 4. Pour fixer le support, installez fermement le matériel de fixation sur les trous de montage du support.



REMARQUE :

sur des montants en bois et des murs en béton/brique plats et solides, il est recommandé d'utiliser des vis autotaraudeuses 10-16 x 1,5 po et des rondelles (non fournies).

5. Montez les supports supplémentaires en les séparant d'au minimum 50 mm verticalement et 140 mm horizontalement.


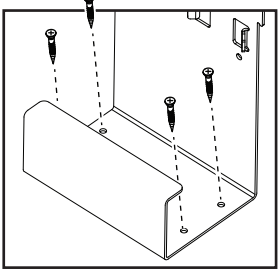
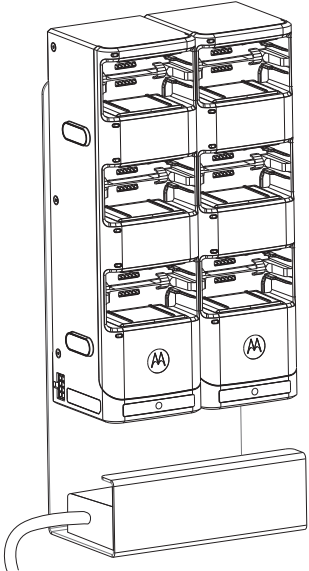


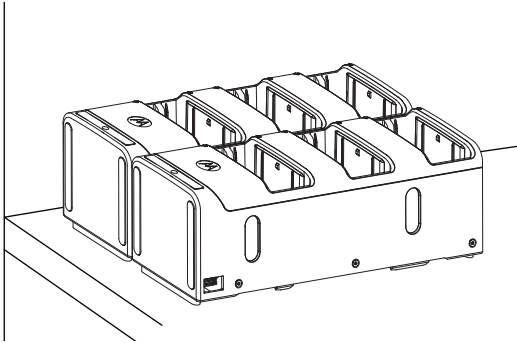
2.6

Préparation des chargeurs pour la charge de bureau

Procédure :

Préparez le chargeur pour la charge de bureau en effectuant l'une des opérations suivantes :

Option	Action
Charge avec support de montage	<p data-bbox="743 548 976 575"> REMARQUE :</p> <ul data-bbox="808 590 1398 863" style="list-style-type: none">• Si le chargeur est placé en position verticale, il est recommandé de le placer sur le support de montage pour éviter qu'il ne bascule.• Il est recommandé d'utiliser une vis autotaraudeuses de 10-16 x 1,5 po pour monter le support sur le bureau.• Assurez-vous que les vis ne s'enfoncent pas dans la surface du bureau. <p data-bbox="743 884 1227 911">a. Vissez le support mural sur le bureau.</p>  <p data-bbox="743 1251 1386 1278">b. Placez le bloc d'alimentation dans le support mural.</p> 

Option	Action
Charge sans support métallique	<p>a. Placez le chargeur à l'horizontale.</p> 

2.7

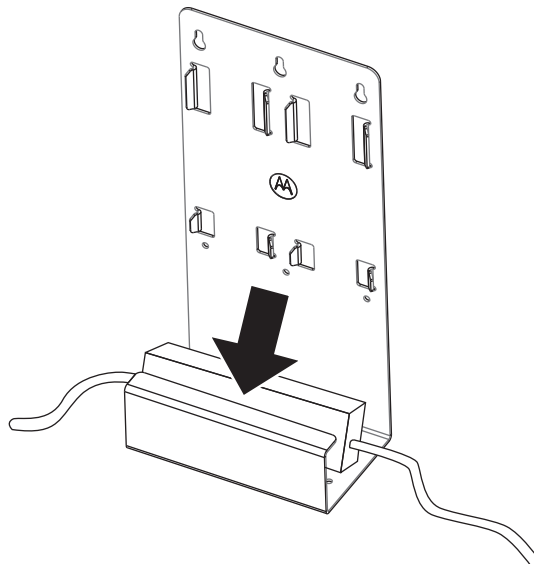
Préparation des chargeurs en vue d'une position de charge verticale

Prérequis :

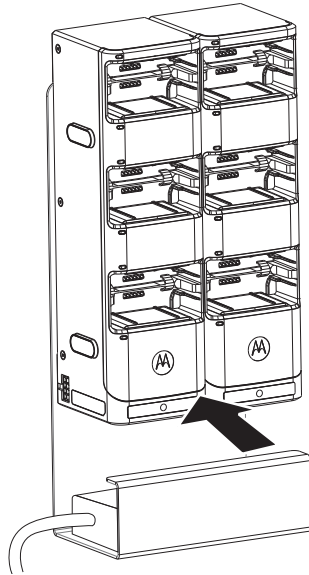
assurez-vous que le support de montage est fixé au mur et que les chargeurs sont combinés avant de les installer sur le support de montage.

Procédure :

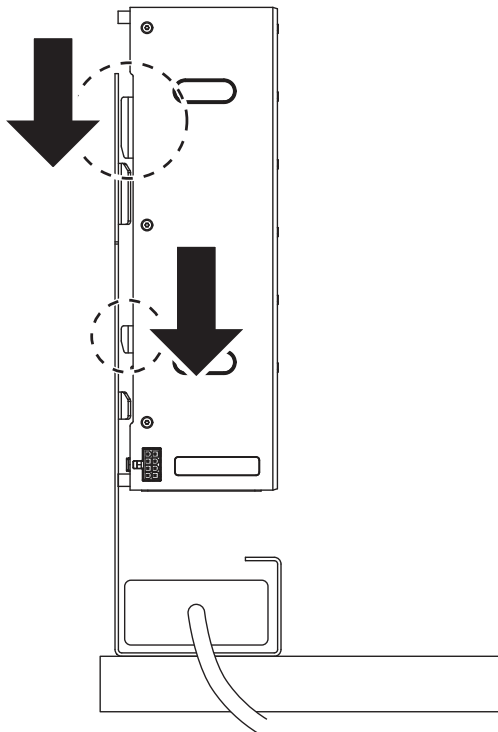
1. Placez l'adaptateur d'alimentation dans le support de montage.



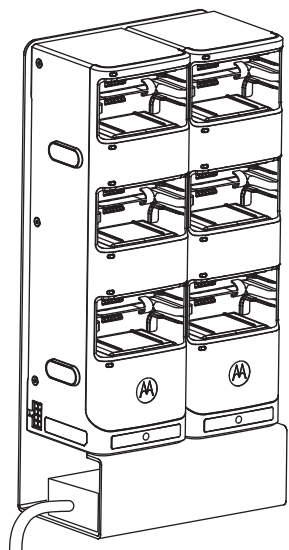
2. Plaquez le chargeur contre le support.



3. Alignez les rails arrière du chargeur aux rails du support de montage.
4. Faites glisser le chargeur vers le bas pour le fixer aux deux rails.



5. Assurez-vous que les deux rails sont fixés avant de libérer le chargeur.



Guida dell'utente del caricabatteria multiunità L6Q PMPN4003

OTTOBRE 2023

© 2023 Motorola Solutions, Inc. All Rights Reserved.



MN010173A01-AA

Sommaro

Informazioni legali e sulla sicurezza.....	3
Capitolo 1: Panoramica del caricabatteria.....	7
1.1 Panoramica sugli accessori del caricabatteria.....	8
1.2 Batterie, cavi di alimentazione e alimentatori autorizzati.....	8
1.3 Apparecchiatura opzionale.....	9
Capitolo 2: Funzionamento del caricabatteria.....	10
2.1 Ricarica delle batterie.....	10
2.2 Indicazioni di ricarica.....	11
2.3 Combinazione dei caricabatteria multiunità.....	11
2.4 Separazione dei caricabatteria multiunità.....	13
2.5 Fissaggio della staffa di montaggio a parete.....	14
2.6 Preparazione dei caricabatteria per la ricarica desktop.....	16
2.7 Preparazione dei caricabatteria per la ricarica in posizione verticale.....	17

Informazioni legali e sulla sicurezza

In questa sezione vengono fornite informazioni legali e sulla sicurezza per questo prodotto.

Marchi di certificazione



Indirizzo di contatto

European Union Contact
Motorola Solutions,
Czerwone Maki 82,
30-392 Krakow, Poland

Proprietà intellettuale e avvisi sulla conformità

Copyright

I prodotti Motorola Solutions descritti in questo documento possono includere programmi per computer Motorola Solutions protetti da copyright. Le leggi in vigore negli Stati Uniti e in altri Paesi garantiscono a Motorola Solutions determinati diritti esclusivi per i programmi per computer protetti da copyright. Pertanto, tutti i programmi per computer Motorola Solutions protetti da copyright e inclusi nei prodotti Motorola Solutions descritti nel presente documento non possono essere copiati o riprodotti in alcun modo senza l'espreso consenso scritto di Motorola Solutions.

Nessuna parte di questo documento può essere riprodotta, trasmessa, memorizzata in un sistema di riproduzione o tradotta in qualunque lingua o linguaggio informatico, in qualsiasi forma o con qualsiasi mezzo, senza il previo consenso scritto da parte di Motorola Solutions, Inc.

Marchi

MOTOROLA, MOTO, MOTOROLA SOLUTIONS, and the Stylized M Logo are trademarks or registered trademarks of Motorola Trademark Holdings, LLC and are used under license. All other trademarks are the property of their respective owners.

Diritti di licenza

L'acquisto di prodotti Motorola Solutions non garantirà in modo esplicito o implicito, per preclusione o altro, alcuna licenza nell'ambito dei diritti d'autore, dei brevetti o delle richieste di brevetto di Motorola Solutions, tranne la normale licenza d'uso non esclusiva e senza royalty, derivante per legge dalla vendita di un prodotto.

Contenuti open source

Questo prodotto può contenere software open source utilizzati su licenza. Fare riferimento al materiale di installazione del prodotto per consultare il testo completo delle attribuzioni e delle note legali sulle risorse open source.

Direttiva dell'Unione europea (UE) e del Regno Unito (UK) sui rifiuti di apparecchiature elettriche ed elettroniche (RAEE/WEEE)



La direttiva RAEE dell'Unione europea e la normativa WEEE del Regno Unito richiedono che sui prodotti venduti nei Paesi dell'UE e nel Regno Unito sia presente l'etichetta di un cassonetto dei rifiuti con ruote barrato (o, in alcuni casi, sulla confezione). Come stabilito dalla direttiva RAEE/WEEE, l'etichetta di un cassonetto dei rifiuti con ruote barrato indica che i clienti e gli utenti finali dei Paesi dell'Unione europea e del Regno Unito non devono smaltire gli apparecchi elettronici ed elettrici o gli accessori insieme ai rifiuti domestici.

I clienti o gli utenti finali dei Paesi dell'Unione europea e del Regno Unito devono contattare il centro assistenza o il rappresentante del fornitore dell'apparecchiatura locale per ottenere informazioni sul sistema di raccolta dei rifiuti della zona.

Esclusione di responsabilità

Tenere presente che determinate funzioni, strutture e funzionalità descritte nel presente documento potrebbero non essere applicabili o non possedere la licenza per l'utilizzo su un determinato sistema oppure potrebbero dipendere dalle caratteristiche di una specifica configurazione di determinati parametri o unità del terminale radio mobile. Per maggiori informazioni, contattare il proprio referente Motorola Solutions.

© 2023 Motorola Solutions, Inc. All Rights Reserved

Dichiarazione di conformità del fornitore

Dichiarazione di conformità del fornitore

In conformità alle normative FCC CFR 47 Parte 2 Sezione 2.1077(a)



Parte responsabile

Nome: Motorola Solutions, Inc.

Indirizzo: 2000 Progress Pkwy, Schaumburg, IL. 60196

Numero di telefono: 1-800-927-2744

Con la presente si dichiara che il prodotto:

Nome modello: **Caricabatteria multiunità**

è conforme alle seguenti normative:

FCC Parte 15, sottoparte B, sezione 15.107(a) e sezione 15.109(a)

Dispositivo digitale di Classe B

Il presente dispositivo è conforme alle disposizioni della Parte 15 delle normative FCC. Il funzionamento è soggetto alle due condizioni riportate di seguito:

1. Il dispositivo non può causare interferenze dannose.

2. Il dispositivo deve accettare qualsiasi interferenza ricevuta, comprese quelle che possono causare un funzionamento indesiderato.



NOTA:

La presente apparecchiatura è stata testata e giudicata conforme ai limiti previsti per i dispositivi digitali di Classe B, ai sensi della Parte 15 delle normative FCC. Tali limiti sono concepiti per garantire una protezione adeguata contro le interferenze dannose nelle installazioni domestiche. La presente apparecchiatura genera, utilizza e può irradiare energia in radiofrequenza. Se non è installata e utilizzata conformemente alle istruzioni, può causare interferenze dannose nelle comunicazioni radio. Tuttavia, non è escluso che ciò possa verificarsi anche in particolari tipi di installazioni.

In caso di interferenze dannose con la ricezione del segnale radio o televisivo, riscontrabili spegnendo e riaccendendo l'apparecchiatura, si invita l'utente a risolvere il problema completando una o più procedure descritte di seguito:

- Riorientare o riposizionare l'antenna di ricezione.
- Aumentare la distanza tra il ricevitore e l'apparecchiatura.
- Collegare l'apparecchiatura alla presa di un circuito diverso da quello su cui è collegato il ricevitore.
- Rivolgersi al rivenditore o a un tecnico radio/TV esperto per ricevere assistenza.

Solo per l'Australia

Questa disposizione si applica ai prodotti e ai servizi forniti da Motorola Solutions ai consumatori ai sensi della normativa australiana sulla tutela dei consumatori (Australia Consumer Law). Questa garanzia è fornita da Motorola Solutions Australia Pty Limited (ABN16 004 742 312) of Tally Ho Business Park, 10 Wesley Court, Burwood East, Victoria. I nostri prodotti vengono forniti con garanzie che non possono essere escluse ai sensi della normativa australiana sulla tutela dei consumatori (Australia Consumer Law). In caso di guasti gravi al servizio, si ha il diritto di:

- annullare il contratto di assistenza con noi;
- ottenere un rimborso per la parte non utilizzata o un compenso per il suo valore ridotto.

In caso di guasto grave dei prodotti, si ha il diritto di scegliere tra una sostituzione o un rimborso. Nei casi in cui il guasto ai prodotti o al servizio non sia grave, si ha il diritto di far riparare il guasto in un tempo ragionevole. In caso contrario, si ha il diritto a un rimborso per i prodotti, ad annullare il contratto per il servizio e a ottenere un rimborso per eventuali parti non utilizzate. Si ha inoltre il diritto di ricevere un compenso per qualsiasi altra perdita o danno ragionevolmente prevedibili derivanti da un guasto ai prodotti o al servizio. Per informazioni o chiarimenti, chiamare Motorola Solutions Australia al numero 1800 457 439. È inoltre possibile visitare il sito Web all'indirizzo: https://www.motorolasolutions.com/en_xa/support.html per i termini di garanzia correnti.

Istruzioni importanti sulla sicurezza

Questo documento contiene importanti istruzioni sulla sicurezza e sul funzionamento.

Prima di utilizzare il caricabatteria, leggere tutte le istruzioni e gli avvisi riportati sul caricabatteria e sulla batteria.



ATTENZIONE:

leggere attentamente queste istruzioni e conservarle come riferimento futuro.

- Per ridurre il rischio di danni al cavo di alimentazione, tirare la spina e non il cavo quando si rimuove il cavo di alimentazione dalla presa di corrente CA o dal caricabatteria.
- Per ridurre il rischio di incendi o scosse elettriche, evitare di utilizzare una prolunga. Se è necessario utilizzare una prolunga, assicurarsi che le dimensioni del cavo siano di 18 AWG per lunghezze fino a 2 metri (6,5 piedi) e di 16 AWG per lunghezze fino a 3 metri (9,8 piedi).
- Per ridurre il rischio di incendi, scosse elettriche o lesioni, non utilizzare il caricabatteria se è rotto o danneggiato. Consegnarlo invece a un rappresentante dell'assistenza tecnica di Motorola Solutions.
- Per ridurre il rischio di incendi o scosse elettriche, non smontare il caricabatteria. Non può essere riparato e non sono disponibili parti di ricambio.
- Per ridurre il rischio di scosse elettriche, scollegare l'adattatore di alimentazione del caricabatteria dalla presa di corrente CA prima di eseguire qualsiasi operazione di manutenzione o pulizia.
- Per ridurre il rischio di lesioni, ricaricare unicamente batterie ricaricabili autorizzate. Batterie di altro tipo potrebbero esplodere causando danni e lesioni personali.
- Per ridurre il rischio di incendi, scosse elettriche o lesioni, utilizzare solo gli accessori consigliati da Motorola Solutions.
- Eventuali modifiche o cambiamenti apportati al dispositivo, non espressamente approvati da Motorola Solutions, possono invalidare il diritto dell'utente a utilizzare l'apparecchiatura.

Linee guida per un utilizzo sicuro

- Questa apparecchiatura non è adatta per l'utilizzo in ambienti esterni. Utilizzare unicamente in condizioni e luoghi asciutti.
- La temperatura ambiente massima intorno al caricabatteria non deve superare i 40 °C (104 °F).
- Collegare il caricabatteria esclusivamente a un cavo di alimentazione appropriato riportato nell'*elenco dei cavi di alimentazione autorizzati Motorola Solutions*.
- La presa CA alla quale viene collegato il cavo di alimentazione deve trovarsi nelle vicinanze ed essere facilmente accessibile.
- Verificare che il cavo di alimentazione sia posizionato in modo da evitare che venga calpestato, danneggiato, esposto all'acqua oppure ad altre sollecitazioni e che non sia motivo di intralcio.
- Collegare il cavo di alimentazione esclusivamente a una presa di corrente CA adeguatamente dotata di fusibili e cavi della tensione corretta, come specificato nelle informazioni riportate sul prodotto.

Esclusione di responsabilità

Le informazioni presenti in questo documento sono state sottoposte a un attento esame e sono da considerarsi completamente affidabili. Tuttavia, non verrà attribuita alcuna responsabilità in caso di inesattezze.

Inoltre, Motorola Solutions si riserva il diritto di apportare modifiche a qualsiasi prodotto allo scopo di migliorarne la leggibilità, il funzionamento o la progettazione. Motorola Solutions non si assume alcuna responsabilità derivante dalle applicazioni o dall'utilizzo di qualsiasi prodotto o circuito qui descritto né copre eventuali licenze ai sensi dei diritti sui brevetti o dei diritti di terzi.

Capitolo 1

Panoramica del caricabatteria

Figura 1: Panoramica del caricabatteria

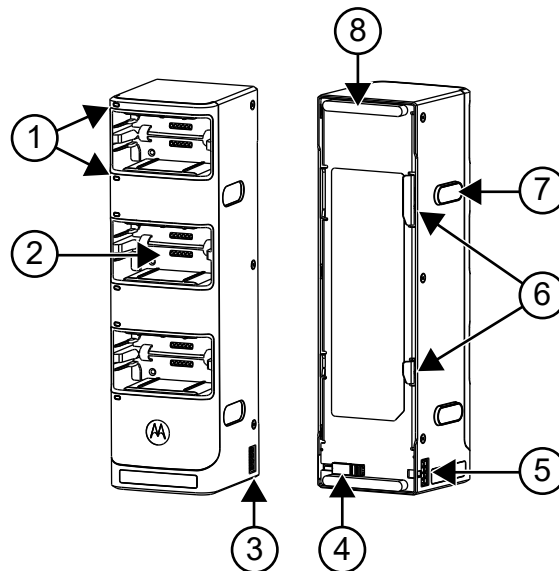


Tabella 1: Panoramica del caricabatteria

Etichetta	Descrizione
1	Indicatore LED
2	Vano di ricarica
3	Connettore maschio
4	Fermo del connettore maschio
5	Connettore femmina
6	Guide per la staffa di montaggio
7	Magnete
8	Piedino in gomma

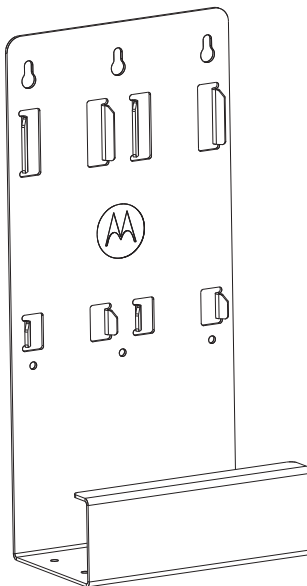
Tabella 2: Specifiche del caricabatteria

ENTRATA	USCITA
15 V $\overline{\text{---}}$, 6 A (fino a 2 caricabatteria multiunità)	4,35 V $\overline{\text{---}}$, 1,25 A x 6 vani

1.1

Panoramica sugli accessori del caricabatteria

Figura 2: Panoramica staffa di montaggio (codice prodotto: BR000628A01)



1.2

Batterie, cavi di alimentazione e alimentatori autorizzati

Tabella 3: Batterie autorizzate Motorola Solutions

Codice prodotto	Descrizione	Serie
PMPN4546	Batteria agli ioni di litio, 5000 mAh	L6Q

Tabella 4: Cavi di alimentazione autorizzati Motorola Solutions

Codice prodotto	Descrizione
3087791G01	Cavo di alimentazione, Nord America
3087791G04	Cavo di alimentazione, Europa
3087791G07	Cavo di alimentazione, Regno Unito
3087791G10	Cavo di alimentazione, Australia/Nuova Zelanda
3087791G13	Cavo di alimentazione, Argentina
3087791G22	Cavo di alimentazione, Brasile

Tabella 5: Alimentatore autorizzato Motorola Solutions

Kit caricabatteria	Alimentatore	Descrizione	Modulo
PMPN4003	PS000242A04	Esterno 90 W, 100-240 V	Fino a due caricabatteria multiunità

1.3

Apparecchiatura opzionale

Una staffa di montaggio (codice prodotto: BR000628A01) è disponibile per il caricabatteria multiunità. Contattare il rivenditore per ordinare questo articolo. Per istruzioni sull'installazione, consultare [Fissaggio della staffa di montaggio a parete a pagina 14](#).



ATTENZIONE:

- L'installazione della staffa di montaggio deve essere effettuata da un tecnico esperto. L'installazione della staffa di montaggio da parte di personale non esperto può risultare pericolosa ed essere causa di danni o lesioni.
- Non installare la staffa di montaggio in un luogo che non è in grado di sostenerne il peso. Se il luogo in cui viene eseguito il montaggio non è sufficientemente robusto, la staffa di montaggio potrebbe cadere e causare lesioni.
- La staffa di montaggio non deve essere installata su una struttura soggetta a vibrazioni o movimenti oppure a rischio di impatti.

Capitolo 2

Funzionamento del caricabatteria

Questa sezione contiene le informazioni sulla ricarica del caricabatteria.

2.1

Ricarica delle batterie

Prerequisiti:

Utilizzare esclusivamente batterie autorizzate Motorola Solutions. Eseguire la ricarica delle batterie a temperatura ambiente. Utilizzare esclusivamente il caricabatteria assegnato quando si ricaricano le batterie supportate.

Procedura:

1. Posizionare il caricabatteria multiunità in senso orizzontale su una superficie piana.



NOTA:

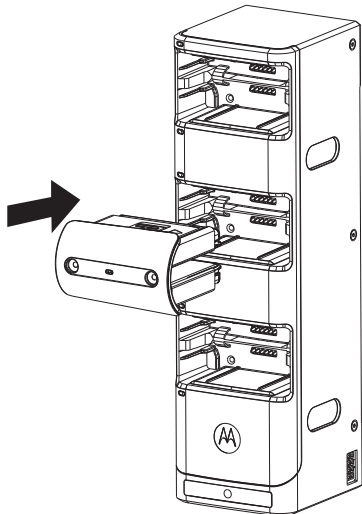
se si dispone di più caricabatteria multiunità, si consiglia di metterli in posizione verticale sulla staffa di montaggio.

2. Inserire l'adattatore di alimentazione nel connettore femmina del caricabatteria multiunità.
3. Collegare l'adattatore di alimentazione alla presa elettrica.

Se l'accensione del caricabatteria multiunità avviene correttamente, il LED diventa verde per un secondo.

Se non si riesce ad accendere il caricabatteria multiunità, controllare il collegamento del cavo di alimentazione.

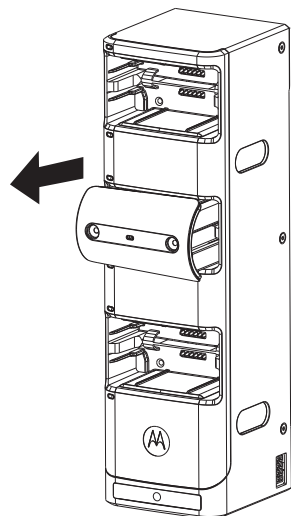
4. Allineare e inserire le batterie (2X) nel contenitore per batterie nel vano del caricabatteria.



5. Assicurarsi che la batteria tocchi il contatto del caricabatteria.

Se la batteria è inserita correttamente e sta eseguendo la ricarica in modalità di ricarica rapida, l'indicatore LED si illumina di rosso fisso.









6. Per rimuovere i contenitori delle batterie dal vano del caricabatteria, estrarre i contenitori delle batterie dal vano del caricabatteria.



2.2

Indicazioni di ricarica

Tabella 6: Indicazioni di ricarica

Indicazione del caricabatteria		Descrizione
Verde fisso per 1 secondo		Caricabatteria acceso correttamente.
Rosso fisso		La batteria si sta ricaricando rapidamente.
Verde lampeggiante		La batteria è carica al 90% o più della sua capacità.
Verde fisso		La batteria è carica al 95% o più della sua capacità.
Rosso lampeggiante		La batteria è difettosa.  NOTA: rimuovere la batteria e reinserirla nel vano del caricabatteria.
Ambra lampeggiante		La batteria è in modalità standby in attesa della ricarica.  NOTA: la batteria potrebbe essere troppo calda, troppo fredda o con bassa tensione.

2.3

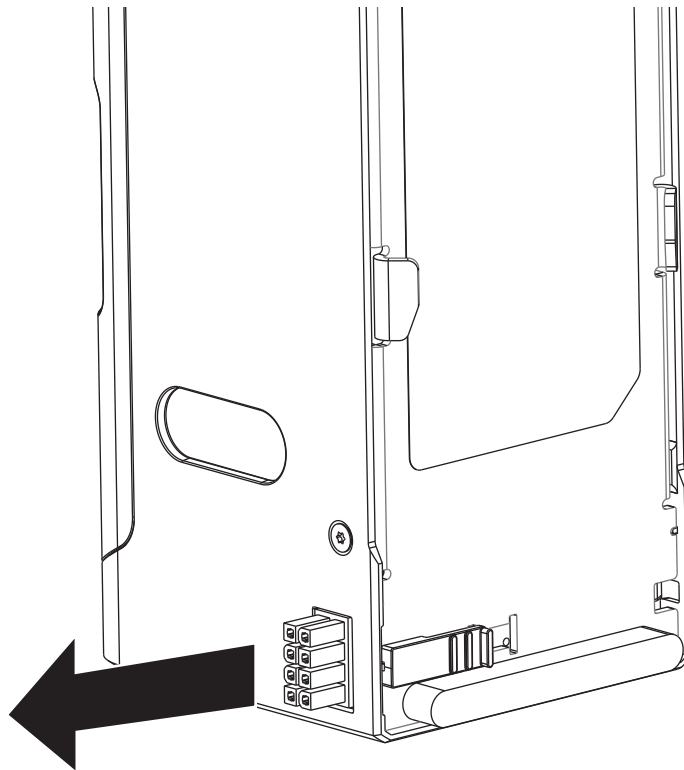
Combinazione dei caricabatteria multiunità

Prerequisiti:

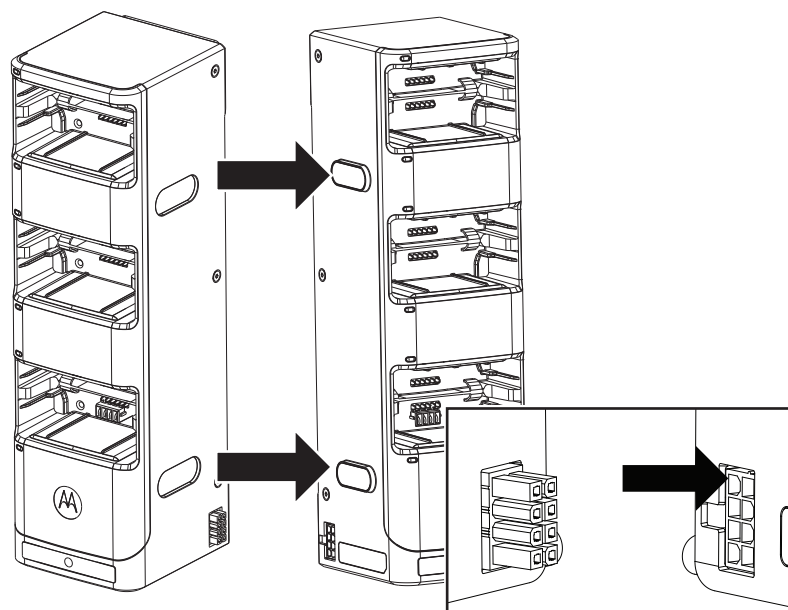
Il numero massimo di caricabatteria multiunità che è possibile combinare è due.

Procedura:

1. Appoggiare i caricabatteria sul tavolo prima di combinarli.
2. Per estendere il connettore, premere e spingere il fermo del connettore maschio verso sinistra.

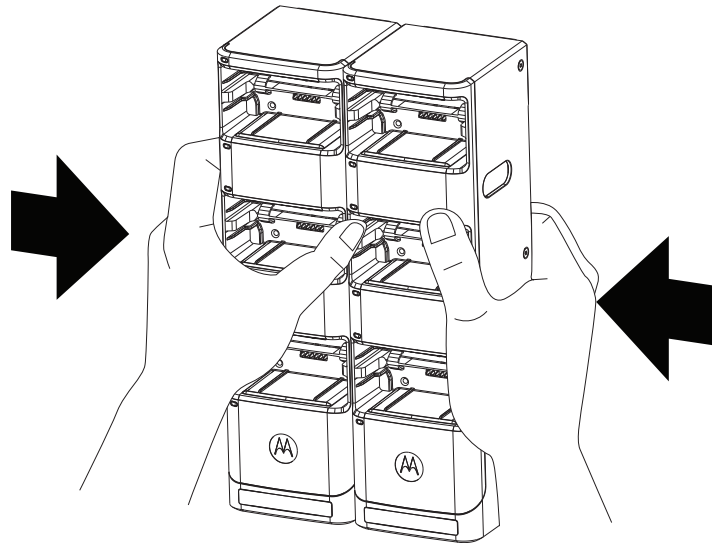


3. Per combinare i caricabatteria, collegare il connettore maschio al connettore femmina.



I magneti dei caricabatteria li tengono uniti quando sono collegati.

4. Se si spostano i caricabatteria combinati in un altro posto, tenerli dai lati.

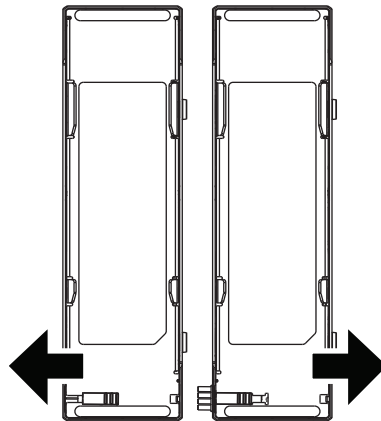


2.4

Separazione dei caricabatteria multiunità

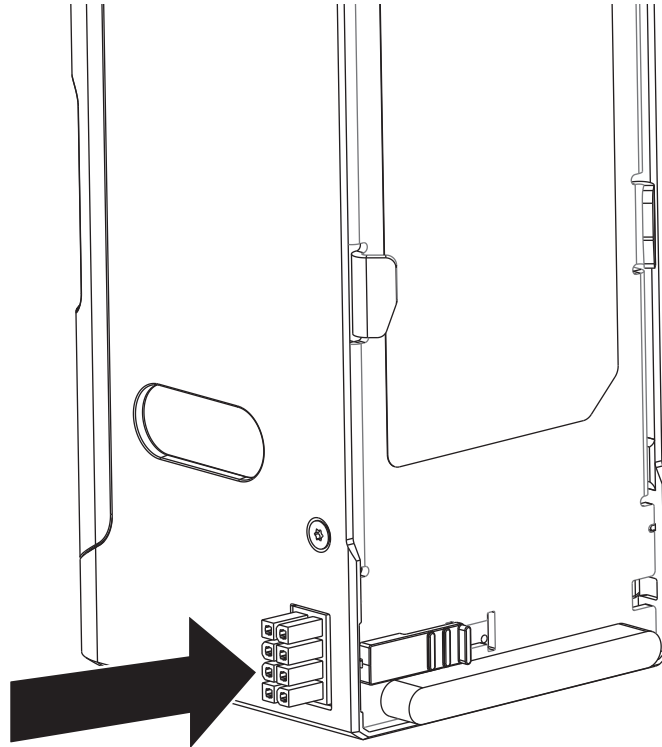
Procedura:

1. Posizionare i caricabatteria combinati sul tavolo.
2. Per separare i caricabatteria combinati, dividere ciascun caricabatteria dall'altro.



NOTA:

Non ruotare i caricabatteria durante lo smontaggio dell'unità per evitare di danneggiare i connettori.



3. Per riposizionare il connettore maschio nel caricabatteria, premere il relativo fermo e spingerlo verso destra.

2.5

Fissaggio della staffa di montaggio a parete

La staffa di montaggio è un'attrezzatura opzionale. Per ulteriori informazioni, vedere [Apparecchiatura opzionale a pagina 9](#).

Procedura:

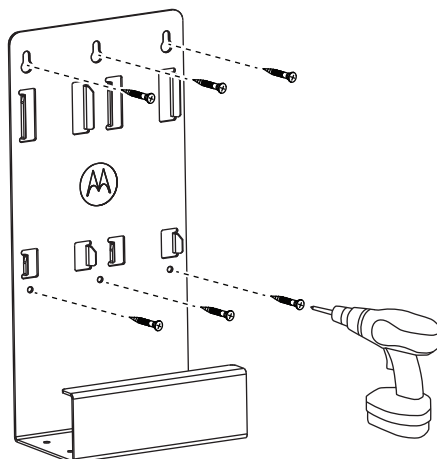
1. Posizionare la staffa e contrassegnare la posizione dei fori di montaggio sulla superficie della parete.




AVVERTENZA:

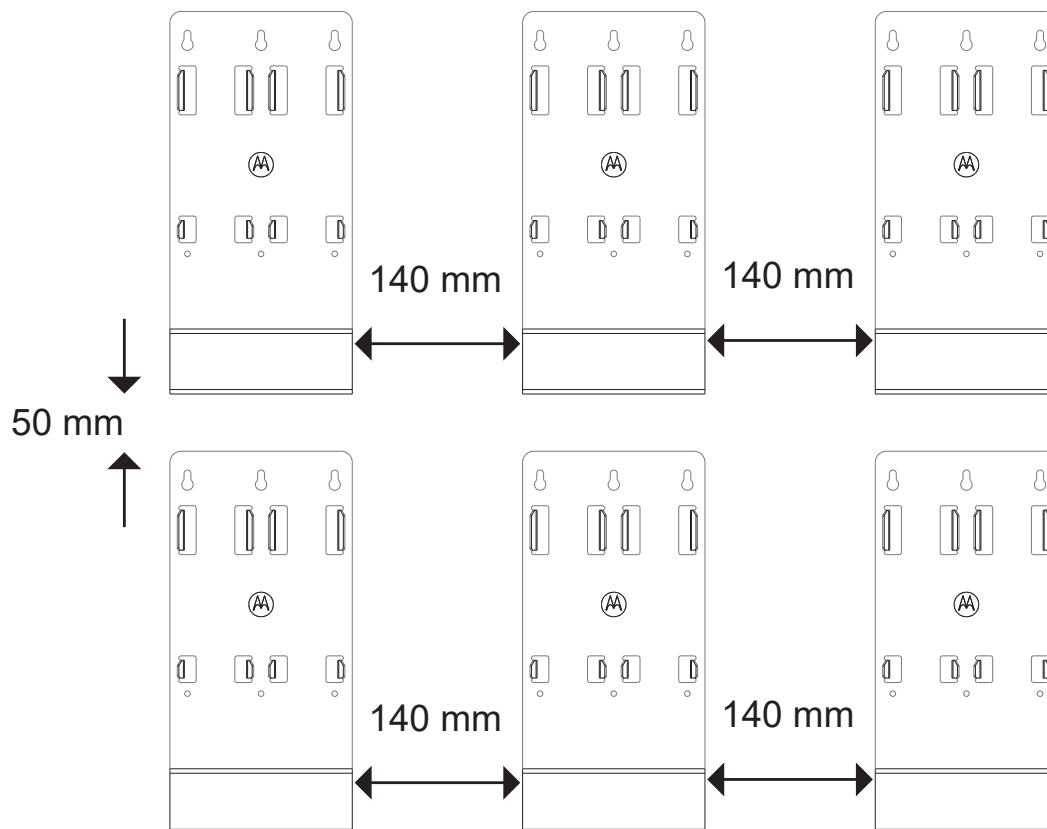
prima di incidere, forare o inserire le viti di montaggio, verificare che nell'area dietro la superficie di montaggio non siano presenti fili elettrici, cavi o tubazioni.

2. Fissare la staffa alla parete utilizzando gli utensili di montaggio appropriati, come ad esempio i tasselli per cartongesso. I fori di montaggio superiori sono dotati di una proprietà di scorrimento per un montaggio più semplice.
3. Praticare i fori in corrispondenza dei punti di montaggio segnati sulla parete.
4. Fissare saldamente la staffa in posizione utilizzando le apposite viti di montaggio.



 **NOTA:**
si consiglia di utilizzare viti autofilettanti 10-16x1,5" e rondelle (non incluse) sulle superfici in legno e su muri di mattoni o cemento liscio compatto.

5. Montare eventuali staffe aggiuntive a una distanza minima di 50 mm in verticale e di 140 mm in orizzontale l'una dall'altra.


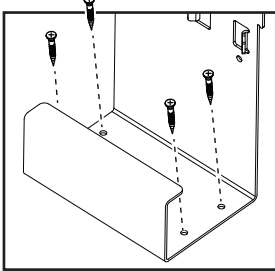
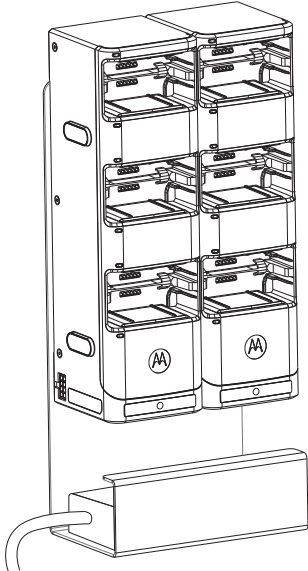


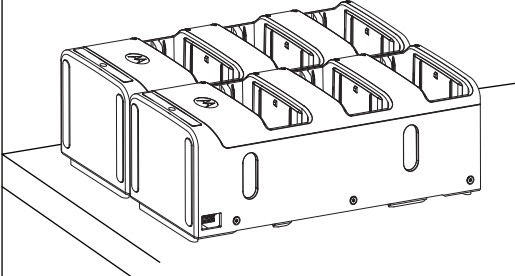
2.6

Preparazione dei caricabatteria per la ricarica desktop

Procedura:

Preparare il caricabatteria per la ricarica desktop effettuando una delle seguenti operazioni:

Opzione	Azione
Ricarica con staffa di montaggio	<p data-bbox="708 541 850 575"> NOTA:</p> <ul data-bbox="769 590 1360 835" style="list-style-type: none">● Se il caricabatteria è in posizione verticale, si consiglia di posizionarlo sulla staffa di montaggio per evitare che cada.● Si consiglia di utilizzare una vite autofilettante 10-16x1,5" per montare la staffa sul piano del tavolo.● Assicurarsi che le viti non penetrino nel tavolo. <p data-bbox="699 850 1357 884">a. Avvitare la staffa per il montaggio a parete al tavolo.</p> <div data-bbox="938 919 1211 1188"></div> <p data-bbox="699 1220 1373 1283">b. Posizionare l'alimentatore all'interno della staffa per il montaggio a parete.</p> <div data-bbox="915 1314 1221 1881"></div>

Opzione	Azione
Ricarica senza staffa metallica	<p>a. Posizionare il caricabatteria in senso orizzontale.</p> 

2.7

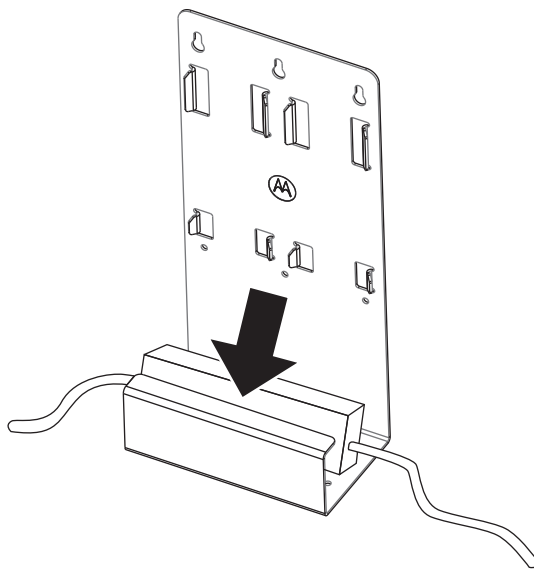
Preparazione dei caricabatteria per la ricarica in posizione verticale

Prerequisiti:

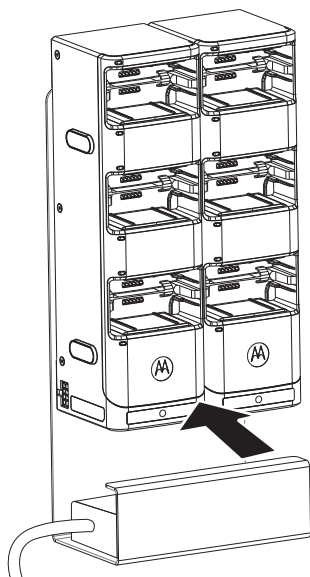
Assicurarsi che la staffa di montaggio sia fissata alla parete e che i caricabatteria siano combinati prima del montaggio sulla staffa.

Procedura:

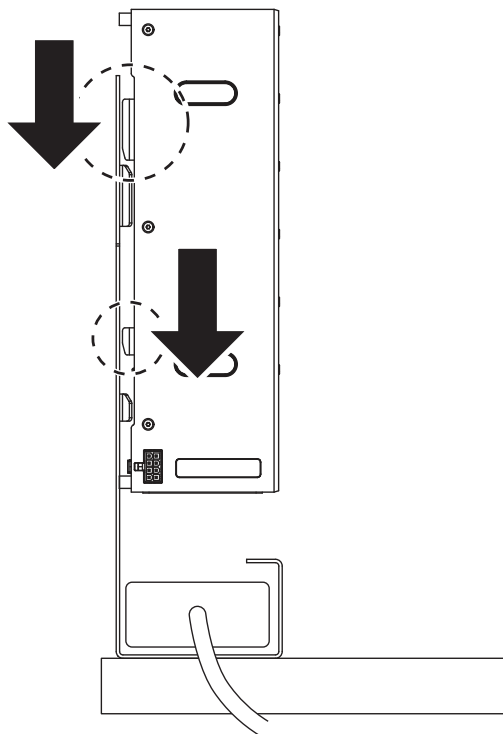
1. Posizionare l'adattatore di alimentazione all'interno della staffa di montaggio.



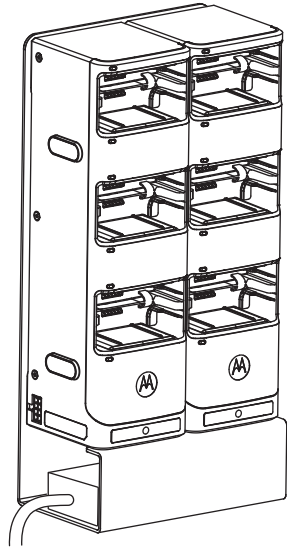
2. Posizionare e inclinare il caricabatteria verso la staffa.



3. Allineare le guide posteriori del caricabatteria alle guide sulla staffa di montaggio.
4. Far scorrere il caricabatteria verso il basso per fissarlo a entrambe le guide.



5. Assicurarsi che entrambe le guide siano fissate prima di rimuovere il caricabatteria.



Gebruikershandleiding voor L6Q-oplader voor meerdere apparaten PMPN4003

OKTOBER 2023

© 2023 Motorola Solutions, Inc. All Rights Reserved.



MN010173A01-AA

Inhoud

Veiligheid en juridische zaken.....	3
Hoofdstuk 1: Overzicht van oplader.....	7
1.1 Overzicht van opladeraccessoires.....	8
1.2 Goedgekeurde batterijen, stroomkabels en voedingsaccessoires.....	8
1.3 Optionele apparatuur.....	9
Hoofdstuk 2: Werking van de oplader.....	10
2.1 De batterijen opladen.....	10
2.2 Oplaadindicators.....	11
2.3 De opladers voor meerdere apparaten combineren.....	11
2.4 De opladers voor meerdere apparaten scheiden.....	13
2.5 De bevestigingsbeugel aan de wand bevestigen.....	14
2.6 Opladers voorbereiden voor opladen op uw bureau.....	16
2.7 Opladers voorbereiden voor verticale oplaadpositie.....	17

Veiligheid en juridische zaken

In dit gedeelte vindt u informatie over de veiligheid en juridische zaken van dit product.

Keurmerken



Contactadres

European Union Contact
Motorola Solutions,
Czerwone Maki 82,
30-392 Krakow, Poland

Kennisgevingen over intellectueel eigendom en regelgeving

Auteursrechten

De Motorola Solutions-producten die in dit document worden beschreven, bevatten mogelijk auteursrechtelijk beschermde computerprogramma's van Motorola Solutions. Volgens de wetgeving in de Verenigde Staten en andere landen behoudt Motorola Solutions zich bepaalde exclusieve rechten voor op auteursrechtelijk beschermde computerprogramma's. Auteursrechtelijk beschermde computerprogramma's van Motorola Solutions die in dit document worden beschreven, mogen daarom op geen enkele wijze worden gekopieerd of verspreid zonder de uitdrukkelijke schriftelijke toestemming van Motorola Solutions.

Niets uit dit document mag worden veelevoudigd, overgedragen, opgeslagen op een systeem voor het ophalen van informatie, of vertaald in een andere taal of computertaal, in enige vorm of op enige wijze, zonder voorafgaande schriftelijke toestemming van Motorola Solutions, Inc.

Handelsmerken

MOTOROLA, MOTO, MOTOROLA SOLUTIONS, and the Stylized M Logo are trademarks or registered trademarks of Motorola Trademark Holdings, LLC and are used under license. All other trademarks are the property of their respective owners.

Licentierechten

Aan de aankoop van Motorola Solutions-producten kan geen gebruiksrecht worden ontleend krachtens auteursrechten, patenten of gepatenteerde applicaties van Motorola Solutions, direct noch indirect, door juridische uitsluiting noch anderszins, behalve het normale, niet-exclusieve recht, vrij van royalty's, op gebruik van rechtswege bij de verkoop van een product.

Open source-inhoud

Dit product bevat mogelijk open source-software die onder licentie wordt gebruikt. Raadpleeg de installatiemedia voor het product voor volledige juridische kennisgevingen en bronvermeldingen voor open source.

De richtlijn inzake afgedankte elektrische en elektronische apparatuur (AEEA) van de Europese Unie (EU) en het Verenigd Koninkrijk (VK)



De richtlijn AEEA van de Europese Unie en die van het VK vereisen dat producten die in de landen van de EU en in het VK worden verkocht (of in sommige gevallen de verpakking daarvan), moeten zijn voorzien van het etiket met een doorgekruiste vuilnisbak. Zoals bepaald door de richtlijn AEEA, betekent dit etiket met de doorgekruiste vuilnisbak dat klanten en eindgebruikers in de landen van de EU en in het VK elektrische en elektronische apparatuur of toebehoren niet met het huisvuil mogen afvoeren.

Klanten en eindgebruikers binnen de EU en het VK moeten contact opnemen met hun plaatselijke leverancier of onderhoudscentrum voor informatie over het afvalinzamelsysteem in hun land.

Afwijzing van aansprakelijkheid

Houd er rekening mee dat bepaalde functies, voorzieningen en mogelijkheden die in dit document worden beschreven mogelijk niet van toepassing zijn op of in licentie zijn verstrekt voor gebruik op een bepaald systeem, of mogelijk afhankelijk zijn van de eigenschappen van een bepaalde mobiele abonnee-eenheid of configuratie van bepaalde parameters. Neem voor meer informatie contact op met uw contactpersoon bij Motorola Solutions.

© 2023 Motorola Solutions, Inc. All Rights Reserved

Verklaring van conformiteit van de leverancier

Verklaring van conformiteit van de leverancier

Volgens FCC CFR 47 Deel 2 sectie 2.1077(a)



Verantwoordelijke partij

Naam: Motorola Solutions, Inc.

Adres: 2000 Progress Pkwy, Schaumburg, IL. 60196

Telefoonnummer: 1-800-927-2744

Verklaart hierbij dat het product:

Modelnaam: **Oplader voor meerdere apparaten**

voldoet aan de volgende voorschriften:

FCC Deel 15, subdeel B, sectie 15.107(a) en sectie 15.109(a)

Digitaal apparaat van klasse B

Dit apparaat voldoet aan deel 15 van de FCC-voorschriften. Gebruik is aan de volgende twee voorwaarden onderhevig:

1. Dit apparaat mag geen schadelijke storing veroorzaken, en
2. Dit apparaat moet ontvangen storing accepteren, inclusief storing die een ongewenste werking tot gevolg heeft.



OPMERKING:

Dit apparaat is getest en voldoet aan de voorwaarden voor een digitaal apparaat van Klasse B, overeenkomstig Deel 15 van de FCC-voorschriften. Deze grenswaarden zijn ontwikkeld om voor een aanvaardbare bescherming tegen nadelige storing te zorgen bij installatie in een woonwijk. Dit apparaat produceert en maakt gebruik van radiofrequentie-energie en kan deze uitstralen. Als het apparaat bovendien niet wordt geïnstalleerd en gebruikt volgens de instructies, kan het nadelige storing veroorzaken bij radiocommunicatie. Er is echter geen garantie dat er geen storing zal optreden bij een bepaalde installatie.

Als dit apparaat geen nadelige storing veroorzaakt met betrekking tot de ontvangst van radio of televisie, wat gemakkelijk bepaald kan worden door het apparaat in en uit te schakelen, kan de gebruiker zelf proberen deze storing op te lossen door een of meer van de volgende maatregelen te nemen:

- Stel de ontvangstantenne opnieuw af of verplaats deze.
- Vergroot de afstand tussen het apparaat en de ontvanger.
- Sluit het apparaat aan op een ander stopcontact dan het stopcontact waarop de ontvanger is aangesloten.
- Neem voor hulp contact op met de leverancier of een ervaren radio/tv-technicus.

Alleen voor Australië

Deze bepaling is van toepassing op producten en diensten die door Motorola Solutions worden geleverd aan consumenten in de zin van de Australische Consumer Law. Deze garantie wordt gegeven door Motorola Solutions Australia Pty Limited (ABN16 004 742 312) te Tally Ho Business Park, 10 Wesley Court, Burwood East, Victoria. Onze goederen worden geleverd met een garantieregeling die onder de Australia Consumer Law niet kan worden uitgesloten. Bij ernstige storingen van de service heeft u recht op:

- Annulering van uw servicecontract met ons, en
- Een terugbetaling voor het ongebruikte deel of een compensatie voor de verminderde waarde ervan.

U heeft het recht op vervanging of terugbetaling bij een ernstig defect in de goederen. Als een defect in de goederen of storing van de service niet leidt tot een ernstig defect, heeft u het recht om het defect of de storing binnen een redelijke termijn te laten verhelpen. Als dit niet gebeurt, heeft u recht op terugbetaling voor de goederen, op annulering van het contract voor de service en op restitutie van ongebruikte delen. U heeft ook recht op compensatie voor enige andere vorm van verlies of schade als gevolg van een defect in de goederen of storing van de service die redelijkerwijs te voorzien was. Indien u vragen heeft, kunt u bellen met Motorola Solutions Australia op 1800 457 439. U kunt ook onze website bezoeken: https://www.motorolasolutions.com/en_xa/support.html voor de huidige garantievoorwaarden.

Belangrijke veiligheidsinstructies

Dit document bevat belangrijke veiligheids- en gebruiksinstructies.

Lees alle instructies en waarschuwingsmarkeringen op de oplader en de batterij voordat u de oplader gebruikt.



WAARSCHUWING: Lees deze instructies goed door en bewaar deze voor later gebruik.

- Verminder de kans op schade aan de stroomkabel door de oplader aan de stekker en niet aan de kabel uit het stopcontact of de oplader te trekken.
- Vermijd het gebruik van een verlengsnoer om het risico op brand of elektrische schokken te beperken. Als een verlengkabel noodzakelijk is, gebruikt u een kabel met een dikte van 18 AWG bij een lengte tot 2 m, of een kabel met een dikte van 16 AWG bij een lengte tot 3 meter.
- Verminder de kans op brand, een elektrische schok of letsel door de oplader niet te gebruiken als deze op enigerlei wijze defect of beschadigd is. Breng de oplader in dat geval naar een gekwalificeerde Motorola Solutions-servicemonteur.
- Haal de oplader niet uit elkaar, om het risico op brand of een elektrische schok te beperken. Deze kan niet worden gerepareerd en er zijn geen vervangende onderdelen verkrijgbaar.
- Verminder de kans op een elektrische schok door de oplader uit het stopcontact te halen voordat u deze reinigt of er onderhoud aan uitvoert.
- Vermijd de kans op letsel door alleen gebruik te maken van de goedgekeurde oplaadbare batterijen. Andere batterijen kunnen exploderen, waardoor persoonlijk letsel of schade kan ontstaan.
- Gebruik alleen de door Motorola Solutions aanbevolen accessoires om het risico op brand, elektrische schokken of letsel te beperken.
- Wijzigingen of modificaties aan het apparaat die niet nadrukkelijk zijn goedgekeurd door Motorola Solutions, kunnen ertoe leiden dat de bevoegdheid van de gebruiker om het apparaat te gebruiken teniet wordt gedaan.

Richtlijnen voor veilige bediening

- De apparatuur is niet geschikt voor gebruik buitenshuis. Alleen gebruiken op droge locaties en onder droge omstandigheden.
- De omgevingstemperatuur rondom de oplader mag niet hoger zijn dan 40 °C.
- Sluit de oplader alleen aan op een geschikte stroomkabel die wordt vermeld in de lijst *Door Motorola Solutions goedgekeurde stroomkabels*.
- Het stopcontact waarop de stroomkabel is aangesloten, moet zich in de buurt bevinden en goed toegankelijk zijn.
- Zorg ervoor dat de stroomkabel zo ligt dat niemand erop kan stappen of erover kan struikelen en dat deze niet vochtig kan worden, beschadigd kan worden of strak kan komen te staan.
- De stroomkabel mag alleen worden aangesloten op een correct bekabeld stopcontact met zekeringen en het juiste voltage, zoals vermeld op het product.

Afwijzing van aansprakelijkheid

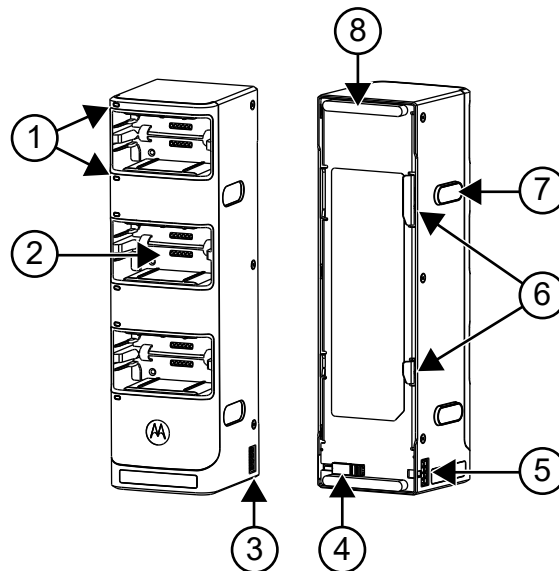
De informatie in dit document is zorgvuldig onderzocht en wordt volledig betrouwbaar geacht. Er wordt echter geen verantwoordelijkheid genomen voor onjuistheden.

Motorola Solutions behoudt zich tevens het recht voor om aan elk product veranderingen aan te brengen, om de leesbaarheid, de functionaliteit of het ontwerp te verbeteren. Motorola Solutions aanvaardt geen enkele aansprakelijkheid die voortvloeit uit de toepassingen of het gebruik van een product of circuit dat in dit document wordt beschreven. Motorola Solutions dekt geen enkele licentie onder haar octrooirechten, noch de rechten van anderen.

Hoofdstuk 1

Overzicht van oplader

Afbeelding 1: Overzicht van oplader



Tabel 1: Overzicht van oplader

Label	Beschrijving
1	LED-indicator
2	Opladercompartment
3	Mannelijke connector
4	Vergrendeling mannelijke connector
5	Vrouwelijke connector
6	Bevestigingsbeugelrails
7	Magneet
8	Rubberen voet

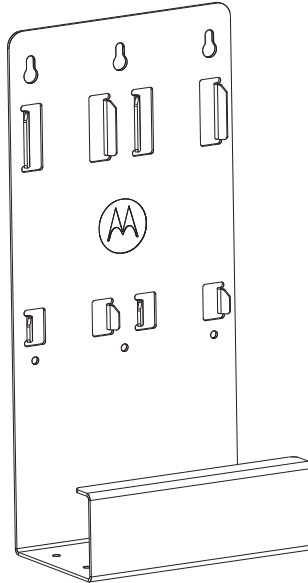
Tabel 2: Opladerspecificatie

INGANG	OUTPUT
15 V $\overline{\text{---}}$, 6 A (Maximaal 2 opladers voor meerdere apparaten)	4,35 V $\overline{\text{---}}$, 1,25 A x 6 compartimenten

1.1

Overzicht van opladeraccessoires

Afbeelding 2: Bevestigingsbeugel (onderdeelnummer: BR000628A01) - Overzicht



1.2

Goedgekeurde batterijen, stroomkabels en voedingsaccessoires

Tabel 3: Door Motorola Solutions goedgekeurde batterijen

Onderdeelnummer	Beschrijving	Serie
PMPN4546	Lithium-ionbatterij, 5000 mAh	L6Q

Tabel 4: Door Motorola Solutions goedgekeurde stroomkabels

Onderdeelnummer	Beschrijving
3087791G01	Stroomkabel, Noord-Amerika
3087791G04	Stroomkabel, Europa
3087791G07	Stroomkabel, Verenigd Koninkrijk
3087791G10	Stroomkabel, Australië/Nieuw-Zeeland
3087791G13	Stroomkabel, Argentinië
3087791G22	Stroomkabel, Brazilië

Tabel 5: Door Motorola Solutions goedgekeurde voedingsaccessoire

Opladerset	Voeding	Beschrijving	Module
PMPN4003	PS000242A04	Extern 90 W, 100-240 V	Maximaal twee opladers voor meerdere apparaten

1.3

Optionele apparatuur

Er is een bevestigingsbeugel (onderdeelnummer: BR000628A01) beschikbaar voor de oplader voor meerdere apparaten. Neem contact op met uw dealer om dit artikel te bestellen. Zie [De bevestigingsbeugel aan de wand bevestigen op pagina 14](#) voor installatie-instructies.



WAARSCHUWING:

- Deze bevestigingsbeugel moet door een getrainde en ervaren technicus worden geïnstalleerd. Als u de bevestigingsbeugel door een niet-gespecialiseerde technicus laat installeren, kan dit zeer gevaarlijk zijn en leiden tot schade of letsel.
- Installeer de bevestigingsbeugel niet op een plaats waar het gewicht niet kan worden gedragen. Als de plaats waar de bevestigingsbeugel wordt geïnstalleerd niet stevig genoeg is, kan de beugel vallen en letsel veroorzaken.
- Installeer de bevestigingsbeugel niet op een plaats waar risico bestaat op trillingen, beweging, of slagen of stoten.

Hoofdstuk 2

Werking van de oplader


In dit gedeelte vindt u informatie over opladen met uw oplader.

2.1

De batterijen opladen

Eerste vereisten: Gebruik alleen door Motorola Solutions goedgekeurde batterijen. Laad de batterijen op bij kamertemperatuur. Gebruik alleen de aangewezen oplader voor het opladen van de ondersteunde batterijen.

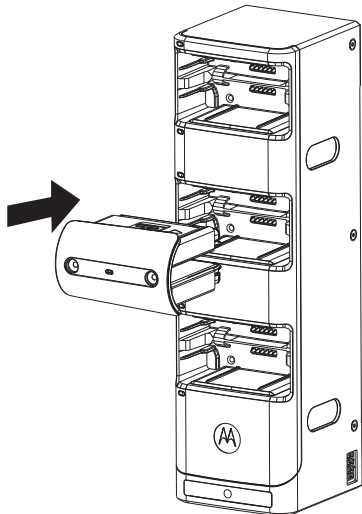
Procedure:

1. Plaats de oplader voor meerdere apparaten horizontaal op een vlakke ondergrond.
 **OPMERKING:** Als u meer dan één oplader voor meerdere apparaten heeft, wordt aanbevolen de oplader voor meerdere apparaten verticaal op de bevestigingsbeugel te plaatsen.
2. Sluit de voedingsadapter aan op de vrouwelijke connector van de oplader voor meerdere apparaten.
3. Sluit de voedingsadapter aan op het stopcontact.

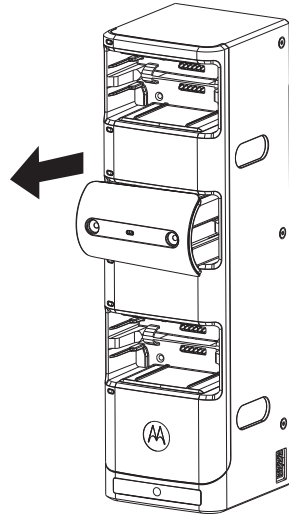
Als het inschakelen van de oplader voor meerdere apparaten is gelukt, brandt het lampje één seconde groen.

Als het inschakelen van de oplader voor meerdere apparaten mislukt, controleert u de aansluiting van het netsnoer.

4. Plaats de batterijen (2x) met de batterijhouder in het opladercompartiment.











5. Zorg ervoor dat de batterij in contact is met het opladercontactpunt.
Als de batterij correct is geplaatst en de batterij snel wordt opgeladen, brandt het lampje ononderbroken rood.
6. Als u de batterijhouders uit het opladercompartiment wilt verwijderen, trekt u de batterijhouders uit het opladercompartiment.



2.2

Oplaadindicatoren

Tabel 6: Oplaadindicatoren

Indicatielampje		Beschrijving
1 seconde ononderbroken groen		Oplader is ingeschakeld.
Ononderbroken rood		De batterij wordt snel opgeladen.
Knippert groen		De batterij is opgeladen tot een capaciteit van 90% of hoger.
Ononderbroken groen		De batterij is opgeladen tot een capaciteit van 95% of hoger.
Knippert rood		De batterij geeft een fout.  OPMERKING: Verwijder de batterij en plaats deze opnieuw in het opladercompartiment.
Knippert oranje		De batterij staat in de stand-bymodus en wacht om te worden opgeladen.  OPMERKING: De batterij is mogelijk te warm of te koud, of de spanning is te laag.

2.3

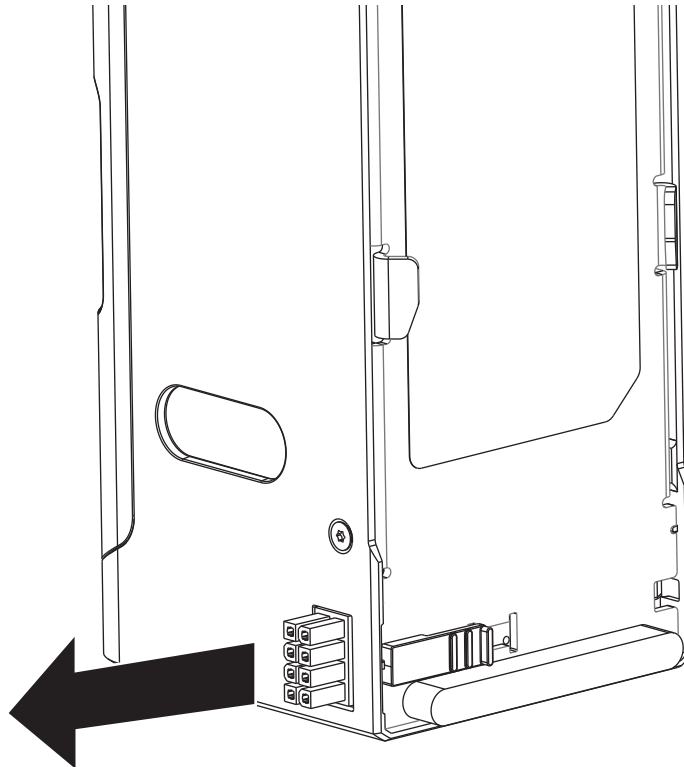
De opladers voor meerdere apparaten combineren

Eerste vereisten: Er kunnen maximaal twee opladers voor meerdere apparaten worden gecombineerd.

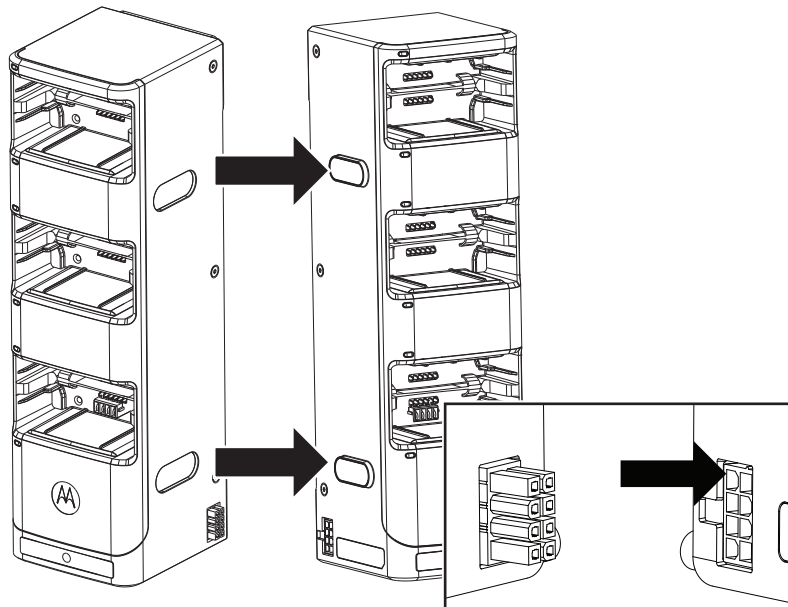
Procedure:

1. Plaats de opladers op het bureau voordat u ze combineert.

2. Om de connector uit te schuiven, drukt u op de vergrendeling van de mannelijke connector en duwt u deze naar links.

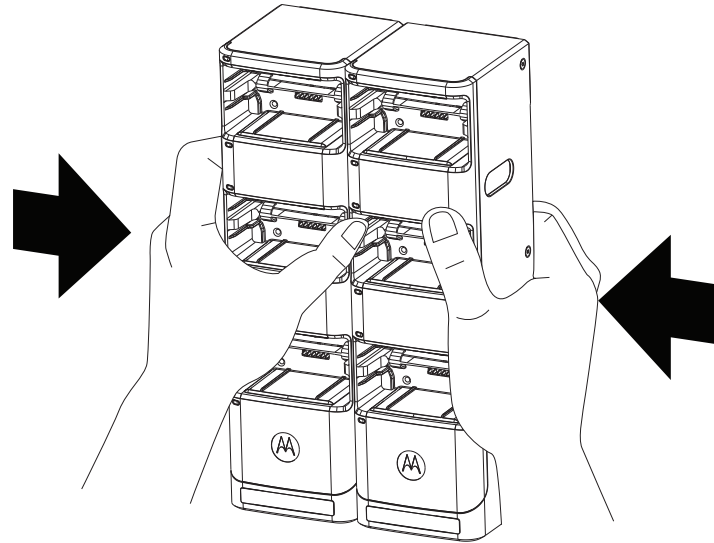


3. Om de opladers te combineren, sluit u de mannelijke connector aan op de vrouwelijke connector.



De magneten van de laders houden ze bij elkaar wanneer ze zijn aangesloten.

4. Houd de zijkanten van de gecombineerde opladers vast wanneer u ze naar een andere locatie verplaatst.

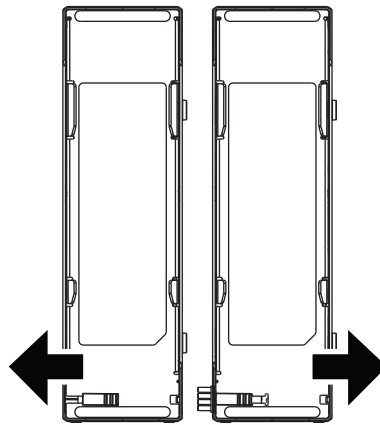


2.4

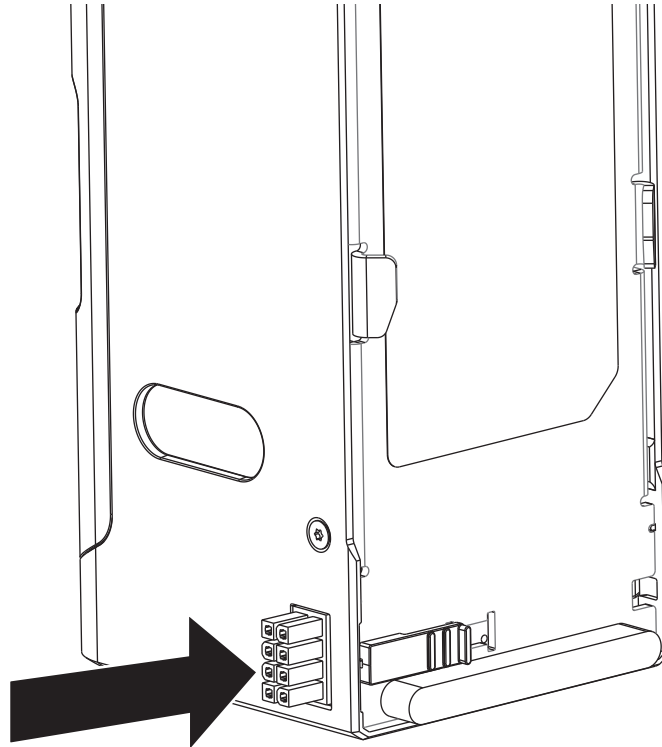
De opladers voor meerdere apparaten scheiden

Procedure:

1. Plaats de gecombineerde opladers op de tafel.
2. Om de gecombineerde opladers te scheiden, trekt u de opladers uit elkaar.



OPMERKING: Draai de opladers niet terwijl u deze van elkaar scheidt om beschadiging van de connectoren te voorkomen.



3. Om de mannelijke connector weer in de oplader te schuiven, drukt u op de mannelijke connectorvergrendeling en duwt u deze naar rechts.

2.5

De bevestigingsbeugel aan de wand bevestigen

De bevestigingsbeugel is een optionele accessoire. Zie [Optionele apparatuur op pagina 9](#) voor meer informatie.

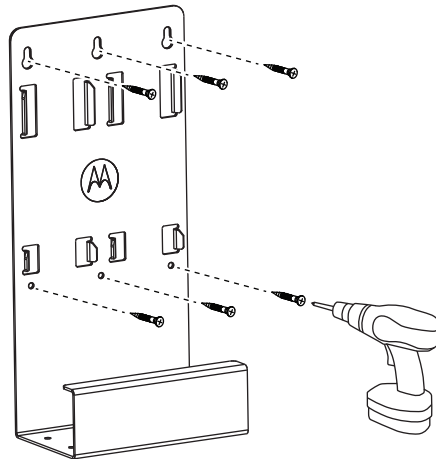
Procedure:


1. Plaats de beugel en markeer de plaats voor de montagegaten op de muur.



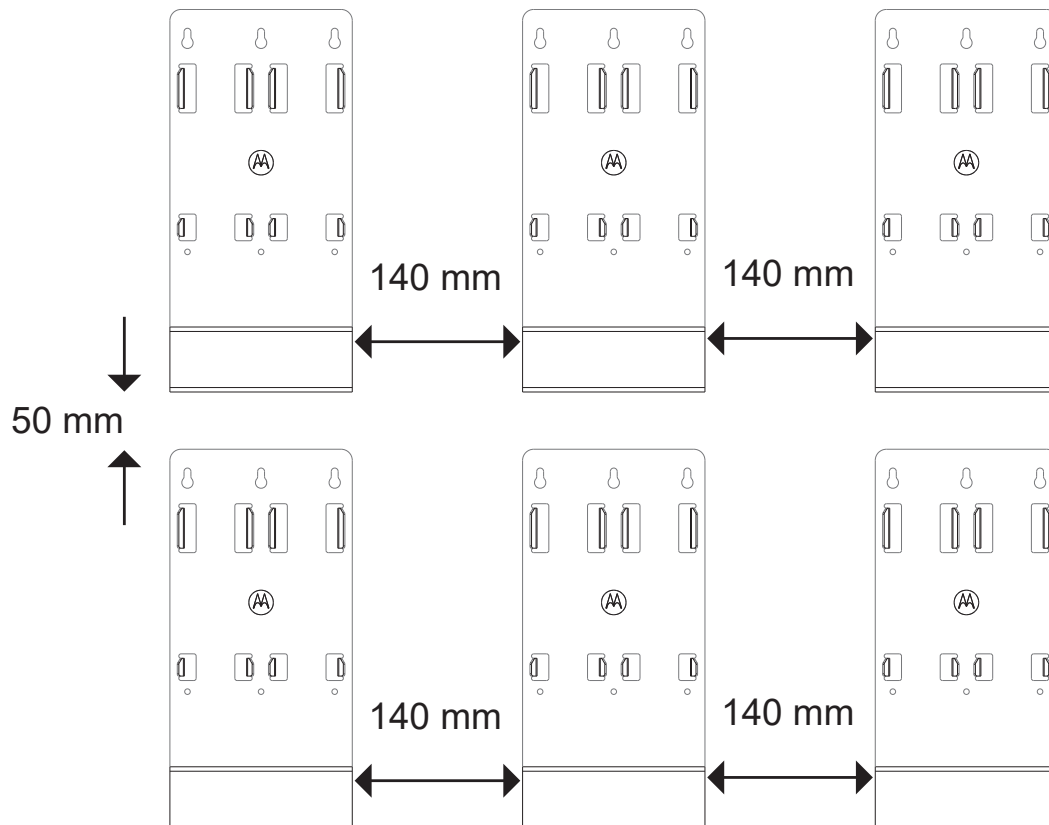
LET OP: Controleer of er zich in het gebied achter het montageoppervlak geen elektrische bedrading, kabels en buizen bevinden voordat u gaat snijden, boren of de montageschroeven gaat plaatsen.

2. Monteer de beugel met de juiste bevestigingsmiddelen aan de wand, zoals pluggen voor gipsplaten. De bovenste montagegaten zijn voorzien van een schuif functie voor eenvoudigere montage.
3. Boor een aantal gaten op basis van de markeringen op de muur.
4. Om de beugel vast te zetten, brengt u de bevestigingsmiddelen stevig aan over de bevestigingsgaten van de beugel.



 **OPMERKING:** Het wordt aanbevolen om een zelfborende schroef van 10-16x1,5 inch en een sluitring (niet meegeleverd) te gebruiken op houten steunen en een vlakke betonnen of bakstenen muur.

5. Monteer eventuele extra beugels met een minimale afstand van 50 mm verticaal en 140 mm horizontaal van elkaar.


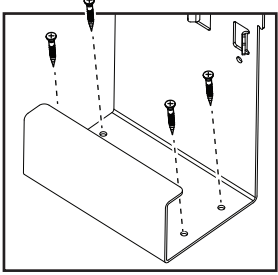
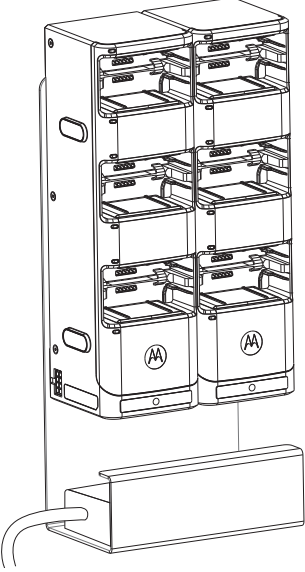


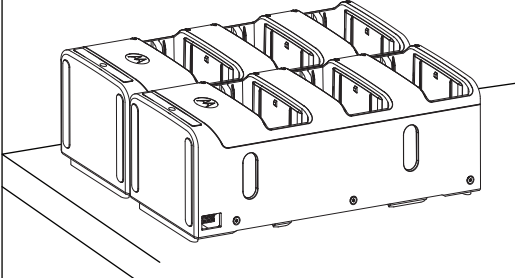
2.6

Opladers voorbereiden voor opladen op uw bureau

Procedure:

Bereid de oplader voor op het opladen op uw bureau door een van de volgende handelingen uit te voeren:

Optie	Actie
Opladen met bevestigingsbeugel	<p data-bbox="708 579 938 611"> OPMERKING:</p> <ul data-bbox="769 625 1369 898" style="list-style-type: none">• Als de oplader verticaal staat, is het raadzaam de oplader in de bevestigingsbeugel te plaatsen om te voorkomen dat deze omvalt.• Het wordt aanbevolen om een zelfborende schroef van 10-16x1,5 inch te gebruiken om de beugel op het bureaublad te monteren.• Zorg ervoor dat de schroeven niet door het bureau heen dringen. <p data-bbox="699 919 1276 951">a. Schroef de wandbeugel vast aan het bureau.</p>  <p data-bbox="699 1287 1182 1318">b. Plaats de voeding in de wandbeugel.</p> 

Optie	Actie
Opladen zonder metalen beugel	<p>a. Plaats de oplader horizontaal.</p> 

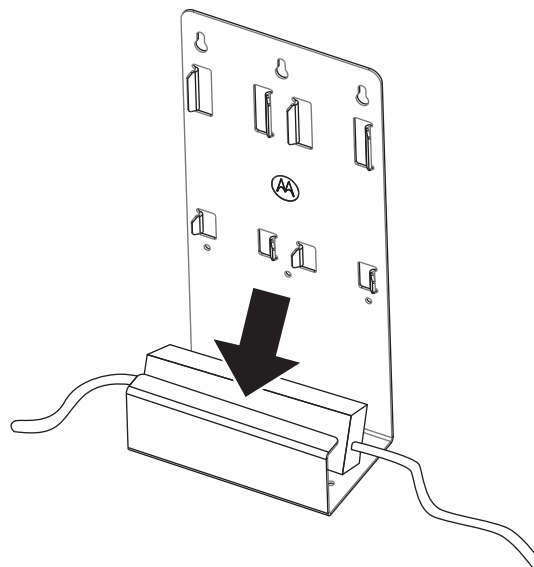
2.7

Opladers voorbereiden voor verticale oplaadpositie

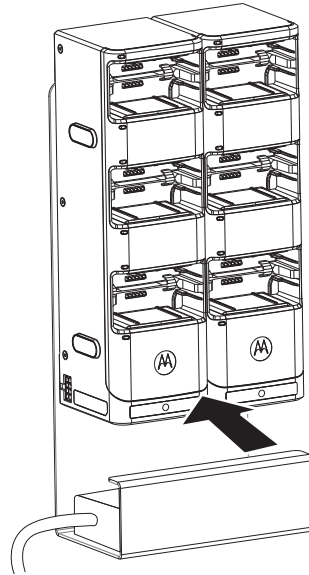
Eerste vereisten: Zorg ervoor dat de bevestigingsbeugel aan de wand is bevestigd en dat de opladers zijn gecombineerd voordat u ze in de bevestigingsbeugel monteert.

Procedure:

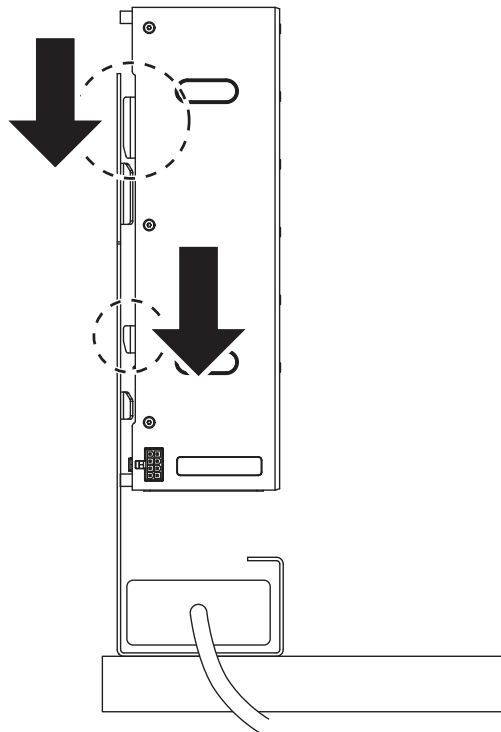
1. Plaats de voedingsadapter in de bevestigingsbeugel.



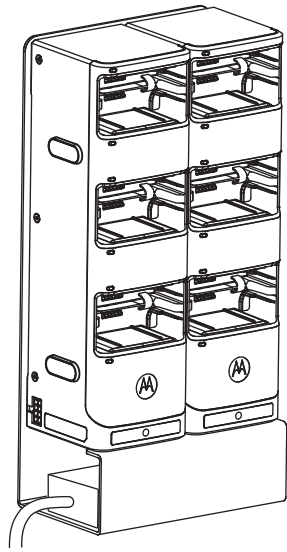
2. Plaats de oplader en leun deze naar de beugel toe.



3. Lijn de rails aan de achterzijde van de oplader uit met de rails op de bevestigingsbeugel.
4. Schuif de oplader naar beneden om deze met beide rails te bevestigen.



5. Zorg ervoor dat beide rails zijn bevestigd voordat u de oplader loslaat.



Guia do utilizador do carregador de unidades múltiplas L6Q PMPN4003

OUTUBRO DE 2023

© 2023 Motorola Solutions, Inc. All Rights Reserved.



MN010173A01-AA

Índice

Informações legais e de segurança.....	3
Capítulo 1: Visão geral do carregador.....	7
1.1 Visão geral dos acessórios do carregador.....	8
1.2 Baterias, cabos de alimentação e fontes de alimentação autorizados.....	8
1.3 Equipamento opcional.....	9
Capítulo 2: Operações do carregador.....	10
2.1 Carregar as baterias.....	10
2.2 Indicações de carregamento.....	11
2.3 Combinar os carregadores de unidades múltiplas.....	11
2.4 Separar os carregadores de unidades múltiplas.....	13
2.5 Montar o suporte de montagem na parede.....	14
2.6 Preparar os carregadores para o carregamento para secretária.....	16
2.7 Preparar os carregadores para a posição de carregamento vertical.....	17

Informações legais e de segurança

Esta secção fornece as informações legais e de segurança deste produto.

Marcas de certificação



Endereço de contacto

European Union Contact
Motorola Solutions,
Czerwone Maki 82,
30-392 Krakow, Poland

Propriedade intelectual e avisos regulamentares

Direitos de autor

Os produtos Motorola Solutions descritos neste documento podem incluir programas de computador protegidos por direitos de autor da Motorola Solutions. A legislação dos EUA e de outros países concede à Motorola Solutions determinados direitos exclusivos sobre os programas de computador protegidos por direitos de autor. Deste modo, quaisquer programas de computador da Motorola Solutions protegidos por direitos de autor e incluídos nos produtos Motorola Solutions descritos neste documento não podem ser de qualquer modo copiados ou reproduzidos sem o consentimento expresso por escrito da Motorola Solutions.

Nenhuma parte deste documento pode ser reproduzida, transmitida, armazenada num sistema de recuperação ou traduzida para qualquer idioma ou linguagem de computador, por nenhuma forma ou meio, sem o consentimento prévio expresso por escrito da Motorola Solutions, Inc.

Marcas comerciais

MOTOROLA, MOTO, MOTOROLA SOLUTIONS, and the Stylized M Logo are trademarks or registered trademarks of Motorola Trademark Holdings, LLC and are used under license. All other trademarks are the property of their respective owners.

Direitos de licença

A compra de produtos Motorola Solutions não garantirá, direta ou implicitamente, por exceção ou de outra forma, qualquer licença sobre os direitos de autor, as patentes ou os pedidos de patente da Motorola Solutions, exceto a licença gratuita normal e não exclusiva de utilização, implícita por força de lei na venda de um produto.

Conteúdo open source

Este produto pode conter software open source utilizado sob licença. Consulte os suportes de instalação do produto para aceder ao conteúdo completo sobre Avisos legais e de atribuição do software open source.

Diretiva da União Europeia (UE) e do Reino Unido (RU) relativa aos resíduos de equipamentos elétricos e eletrônicos (Diretiva REEE)



A Diretiva REEE da União Europeia e o regulamento REEE do Reino Unido estabelecem que os produtos (ou, em certos casos, a respetiva embalagem) vendidos nos países da UE e no Reino Unido têm de incluir um rótulo com um contentor de lixo barrado com uma cruz. Como definido na diretiva REEE, este rótulo com um contentor de lixo barrado com uma cruz significa que os clientes e utilizadores finais nos países da UE e no Reino Unido não devem descartar equipamentos eletrónicos e eléctricos ou acessórios juntamente com o lixo doméstico.

Os clientes e utilizadores finais nos países da UE e no Reino Unido devem contactar o representante local ou o centro de apoio ao cliente do equipamento para obter informações sobre o sistema de recolha de resíduos no seu país.

Isenção de responsabilidade

Tenha em atenção que determinadas funções, ferramentas e capacidades descritas neste documento podem não se aplicar ou não estar licenciadas para utilização num determinado sistema, ou podem depender das características de uma unidade de subscritor de rede móvel específica ou da configuração de determinados parâmetros. Consulte um representante da Motorola Solutions para obter mais informações.

© 2023 Motorola Solutions, Inc. All Rights Reserved

Declaração de conformidade do fornecedor

Declaração de conformidade do fornecedor

De acordo com o regulamento CFR 47 da FCC, parte 2, secção 2.1077(a)



Entidade responsável

Nome: Motorola Solutions, Inc.

Endereço: 2000 Progress Pkwy, Schaumburg, IL. 60196

Número de telefone: 1-800-927-2744

Declara, por este meio, que o produto:

Nome do modelo: **Carregador de unidades múltiplas**

está em conformidade com os seguintes regulamentos:

FCC parte 15, subparte B, secção 15.107(a) e secção 15.109(a)

Dispositivo digital de classe B

Este dispositivo está em conformidade com a Parte 15 das regras da FCC. A operação está sujeita às duas condições seguintes:

1. Este dispositivo não pode causar interferência prejudicial, e

2. Este dispositivo tem de aceitar qualquer interferência recebida, incluindo interferências que podem causar funcionamento indesejável.



NOTA:

Este equipamento foi testado e cumpre os limites para um dispositivo digital de classe B, conforme a Parte 15 das Normas da FCC. Estes limites foram concebidos para fornecer proteção contra interferências prejudiciais em instalações residenciais. Este equipamento gera, utiliza e pode irradiar energia de radiofrequência e, se não for instalado e utilizado de acordo com as instruções, pode causar interferências prejudiciais nas comunicações de rádio. Contudo, não existe garantia de que não possam ocorrer interferências numa instalação particular.

Se o equipamento causar alguma interferência prejudicial na receção de rádio ou televisão, o que é possível determinar desligando e ligando o equipamento, o utilizador deve tentar corrigir a interferência de uma das seguintes formas:

- Reorienta a antena recetora ou coloque-a noutra local.
- Aumente a distância entre o equipamento e o recetor.
- Ligue o equipamento numa tomada de um circuito diferente daquele onde o recetor está ligado.
- Consulte o distribuidor ou um técnico de rádio ou TV qualificado para obter ajuda.

Apenas para a Austrália

Esta disposição aplica-se aos produtos e serviços fornecidos pela Motorola Solutions aos consumidores, na aceção da Lei do Consumidor da Austrália. Esta garantia é concedida pela Motorola Solutions Australia Pty Limited (ABN16 004 742 312) de Tally Ho Business Park, 10 Wesley Court, Burwood East, Victoria. Os nossos produtos são fornecidos com garantias que não podem ser excluídas ao abrigo da Lei do Consumidor da Austrália. Em caso de falhas graves do serviço, tem direito a:

- Rescindir o seu contrato de serviço connosco e
- Obter um reembolso pela parte não utilizada ou uma compensação pelo seu valor reduzido.

Tem o direito de optar por uma substituição ou reembolso por uma falha grave com os produtos. Se uma falha com os produtos ou serviços não corresponder a uma falha grave, tem direito a que a falha seja retificada num período de tempo razoável. Se tal não for efetuado, tem direito a um reembolso dos produtos, à rescisão do contrato de serviço e a obter um reembolso por qualquer parte não utilizada. O utilizador tem também o direito de ser compensado por qualquer outra perda ou dano razoavelmente previsível resultante de uma falha nos produtos ou serviços. Se tiver alguma dúvida, contacte a Motorola Solutions Australia através do número 1800 457 439. Também pode visitar o nosso website: https://www.motorolasolutions.com/en_xa/support.html para obter os termos de garantia atuais.

Instruções importantes de segurança

Este documento contém instruções de segurança e de funcionamento importantes.

Antes de utilizar o carregador da bateria, leia todas as instruções e todas as chamadas de atenção existentes no carregador e na bateria.



AVISO:

Leia estas instruções com atenção e guarde-as para consultar no futuro.

- Para reduzir o risco de danificar o cabo de alimentação, puxe pela ficha em vez de pelo cabo quando desligar o cabo de alimentação da tomada de CA ou do carregador.
- Para reduzir o risco de incêndio ou choque elétrico, evite utilizar um cabo de extensão. Se tiver de utilizar um cabo de extensão, certifique-se de que utiliza um cabo do tipo 18 AWG para comprimentos até 2 m ou do tipo 16 AWG para comprimentos até 3 m.
- Para reduzir o risco de incêndio, choque elétrico ou ferimentos, não utilize o carregador se este apresentar qualquer quebra ou danos. Se tal suceder, leve-o a um representante de assistência qualificado da Motorola Solutions.
- Para reduzir o risco de incêndio ou choque elétrico, não desmonte o carregador. Não é reparável e não estão disponíveis peças de substituição.
- Para reduzir o risco de choque elétrico, desligue o transformador do carregador da tomada de CA antes de realizar qualquer operação de manutenção ou limpeza.
- Para reduzir o risco de ferimentos, carregue apenas as baterias recarregáveis autorizadas. Qualquer outra bateria poderá explodir e causar ferimentos e danos.
- Para reduzir o risco de incêndio, choque elétrico ou ferimentos, utilize apenas os acessórios recomendados pela Motorola Solutions.
- Qualquer alteração efetuada neste dispositivo que não seja aprovada expressamente pela Motorola Solutions pode anular a autorização concedida ao utilizador para utilizar este equipamento.

Diretrizes de segurança operacional

- Este equipamento não foi concebido para utilização no exterior. Utilize apenas em locais e condições sem água.
- A temperatura ambiente máxima à volta do carregador não pode exceder os 40 °C.
- Ligue o carregador apenas a um cabo de alimentação adequado indicado na *Lista de cabos de alimentação autorizados pela Motorola Solutions*.
- A tomada de CA à qual o cabo de alimentação está ligado deve estar próxima e facilmente acessível.
- Certifique-se de que o cabo de alimentação não fica onde possa ser pisado, provocar tropeçamento ou ficar exposto a água, danos ou qualquer tipo de esforço.
- Ligue o cabo de alimentação apenas a tomadas de CA com cablagem e sistema de corte adequados, e tensão correta, conforme especificado no produto.

Isenção de responsabilidade

As informações contidas neste documento são cuidadosamente examinadas e acreditamos que são completamente fiáveis. Contudo, não assumimos qualquer responsabilidade por possíveis imprecisões.

Além disso, a Motorola Solutions reserva-se o direito de alterar quaisquer produtos para aperfeiçoar a legibilidade, as funções ou o design. A Motorola Solutions não assume qualquer responsabilidade decorrente das aplicações ou da utilização de qualquer produto ou circuito aqui descrito; nem abrange qualquer licença ao abrigo dos seus direitos de patente, nem os direitos de terceiros.

Capítulo 1

Visão geral do carregador

Figura 1: Visão geral do carregador

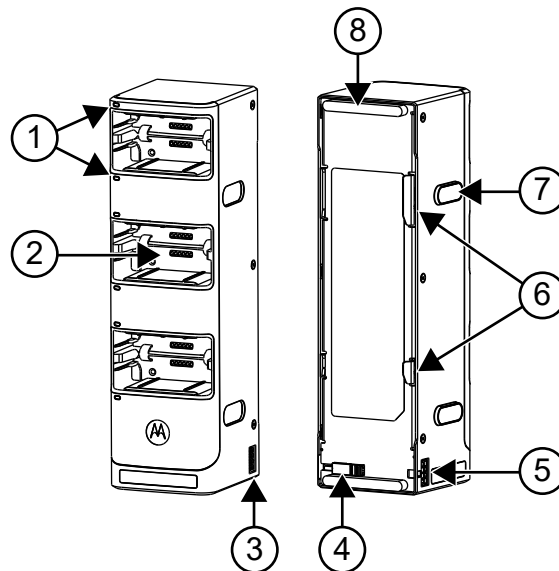


Tabela 1: Visão geral do carregador

Etiqueta	Descrição
1	Indicador LED
2	Compartimento de carregamento
3	Conector macho
4	Trinco do conector macho
5	Conector fêmea
6	Calhas do suporte de montagem
7	Íman
8	Pé de Borracha

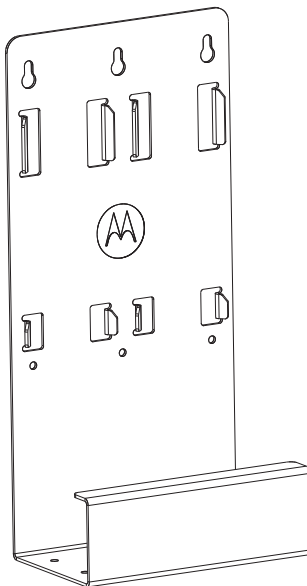
Tabela 2: Características técnicas do carregador

ENTRADA	SAÍDA
15 V $\overline{\text{---}}$, 6 A (até 2 carregadores de unidades múltiplas)	4,35 V $\overline{\text{---}}$, 1,25 A x 6 compartimentos

1.1

Visão geral dos acessórios do carregador

Figura 2: Visão geral do suporte de montagem (número de peça: BR000628A01)



1.2

Baterias, cabos de alimentação e fontes de alimentação autorizados

Tabela 3: Baterias autorizadas pela Motorola Solutions

Número de peça	Descrição	Série
PMPN4546	Bateria de íões de lítio, 5000 mAh	L6Q

Tabela 4: Cabos de alimentação autorizados pela Motorola Solutions

Número de peça	Descrição
3087791G01	Cabo de alimentação, América do Norte
3087791G04	Cabo de alimentação, Europa
3087791G07	Cabo de alimentação, Reino Unido
3087791G10	Cabo de alimentação, Austrália/Nova Zelândia
3087791G13	Cabo de alimentação, Argentina
3087791G22	Cabo de alimentação, Brasil

Tabela 5: Fonte de alimentação autorizada pela Motorola Solutions

Kit de carregador	Fonte de alimentação	Descrição	Módulo
PMPN4003	PS000242A04	Externo de 90 W, 100–240 V	Até dois carregadores de unidades múltiplas

1.3

Equipamento opcional

Está disponível um suporte de montagem (número de peça: BR000628A01) para o carregador de unidades múltiplas. Contacte o seu distribuidor para encomendar este item. Consulte [Montar o suporte de montagem na parede na página 14](#) para obter as instruções de instalação.



AVISO:

- O suporte de montagem deve ser instalado por um técnico qualificado e experiente. A instalação do suporte de montagem por um técnico não especializado é perigosa e pode causar danos ou ferimentos.
- Não instale o suporte de montagem num local que não suporte o peso. Se a resistência do local onde o suporte de montagem está instalado não for suficientemente forte, este pode cair e provocar ferimentos.
- Não instale o suporte de montagem numa estrutura propensa a vibrações, movimentos ou possibilidade de impacto.

Capítulo 2

Operações do carregador

Esta secção contém as informações de carregamento do seu carregador.

2.1

Carregar as baterias

Pré-requisitos:

Utilize apenas baterias autorizadas pela Motorola Solutions. Carregue as baterias à temperatura ambiente. Utilize apenas o carregador atribuído ao carregar as baterias suportadas.

Procedimento:

1. Coloque o carregador de unidades múltiplas horizontalmente numa superfície plana.



NOTA:

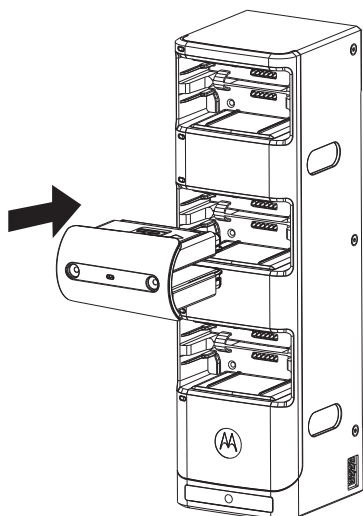
Se tiver mais do que um carregador de unidades múltiplas, recomenda-se a colocação do carregador de unidades múltiplas numa posição vertical montado no suporte de montagem.

2. Insira o adaptador da fonte de alimentação no conector fêmea do carregador de unidades múltiplas.
3. Ligue o adaptador da fonte de alimentação à tomada elétrica.

Se a ligação do carregador de unidades múltiplas for bem-sucedida, o LED fica verde durante um segundo.

Se não for possível ligar o carregador de unidades múltiplas, verifique a ligação do cabo de alimentação.

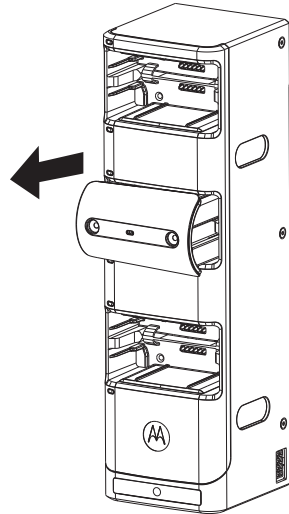
4. Alinhe e insira as baterias (2X) com o tabuleiro da bateria no compartimento do carregador.



5. Certifique-se de que a bateria está em contacto com o contacto do carregador.

Se a bateria estiver inserida corretamente e a bateria estiver a ser carregada no modo de carregamento rápido, o indicador LED apresenta uma luz vermelha fixa.

6. Para retirar os tabuleiros da bateria do compartimento do carregador, puxe os tabuleiros da bateria do compartimento do carregador.



2.2

Indicações de carregamento

Tabela 6: Indicações de carregamento

Indicação no carregador		Descrição
Verde fixo durante 1 segundo		O carregador ligou com sucesso.
Vermelho fixo		A bateria está a carregar rapidamente.
Verde intermitente		A bateria está carregada até 90% da capacidade ou superior.
Verde fixo		A bateria está carregada até 95% da capacidade ou superior.
Vermelho intermitente		A bateria está avariada. NOTA: Retire e volte a inserir a bateria no compartimento do carregador.
Âmbar intermitente		A bateria está no modo de espera a aguardar carregamento. NOTA: A bateria pode estar demasiado quente, demasiado fria ou com tensão baixa.

2.3

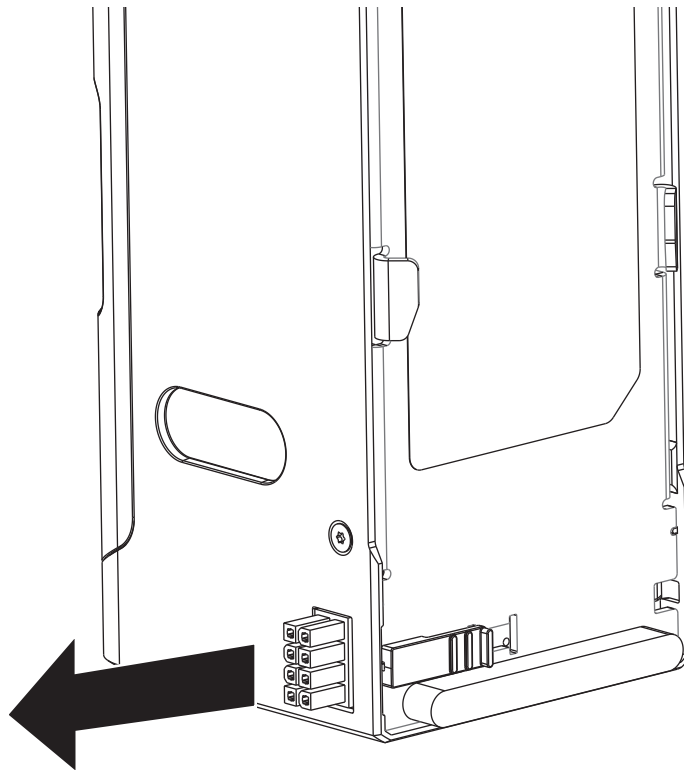
Combinar os carregadores de unidades múltiplas

Pré-requisitos:

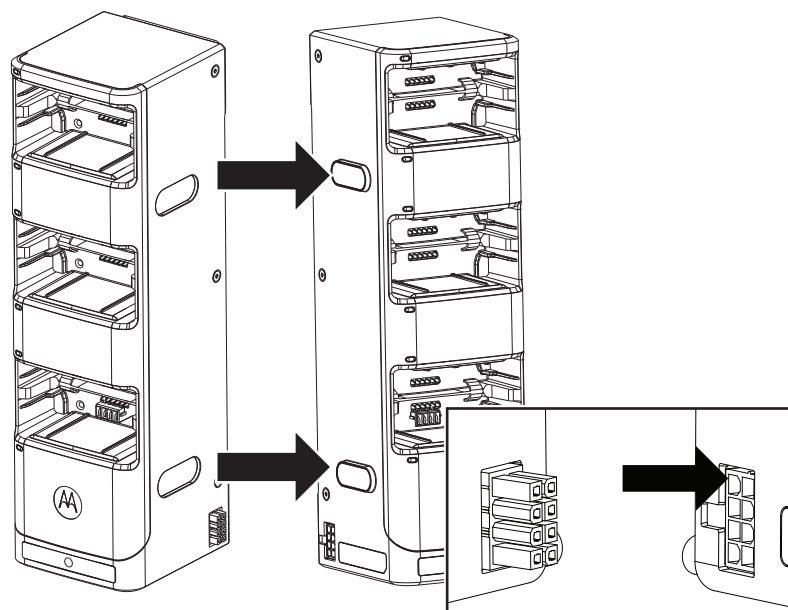
O número máximo de carregadores de unidades múltiplas que podem ser combinados é dois.

Procedimento:

1. Coloque os carregadores sobre a mesa para servir de apoio antes de os combinar.
2. Para estender o conector, prima e empurre o trinco do conector macho para a esquerda.

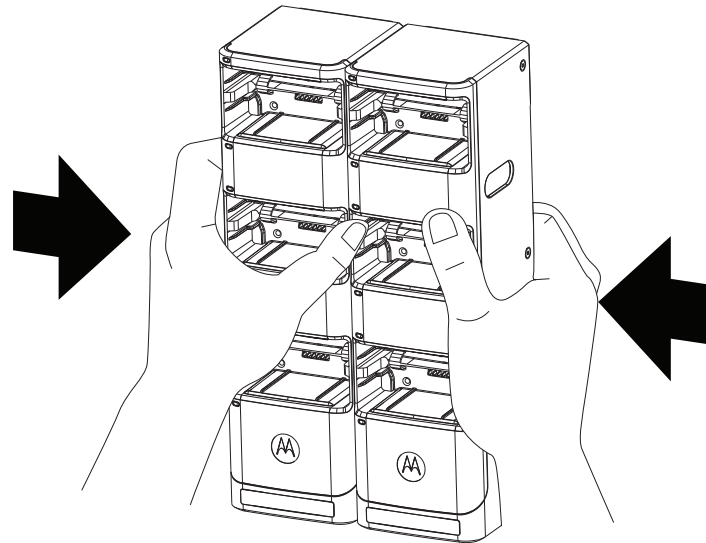


3. Para combinar os carregadores, ligue o conector macho ao conector fêmea.



Os ímãs dos carregadores mantêm-nos juntos quando ligados.

4. Segure os lados dos carregadores combinados ao deslocá-los para outro local.

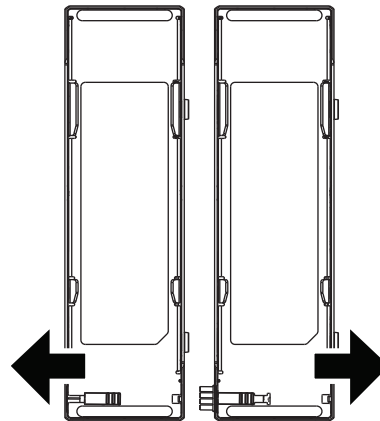


2.4

Separar os carregadores de unidades múltiplas

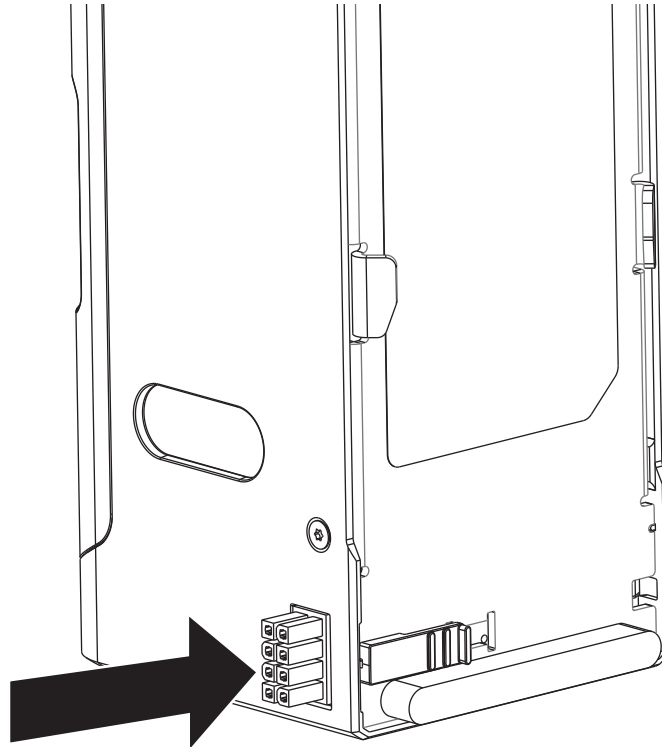
Procedimento:

1. Coloque os carregadores combinados sobre a mesa.
2. Para separar os carregadores combinados, afaste cada um dos carregadores.



NOTA:

Não torça o carregador enquanto o separa para evitar danos nos conectores.



3. Para voltar a colocar o conector macho no carregador, prima o trinco do conector macho e empurre para a direita.

2.5

Montar o suporte de montagem na parede

O suporte de montagem é um equipamento opcional. Consulte [Equipamento opcional na página 9](#) para obter mais informações.

Procedimento:

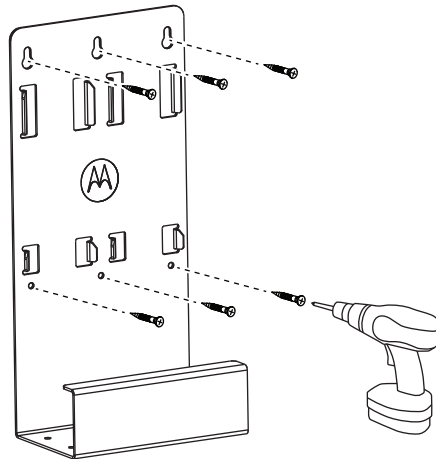
1. Posicione o suporte e marque a localização dos orifícios de montagem na superfície da parede.



ATENÇÃO:

Certifique-se de que a área por trás da superfície de montagem está livre de fios elétricos, cabos ou tubos antes de cortar, perfurar ou instalar os parafusos de montagem.

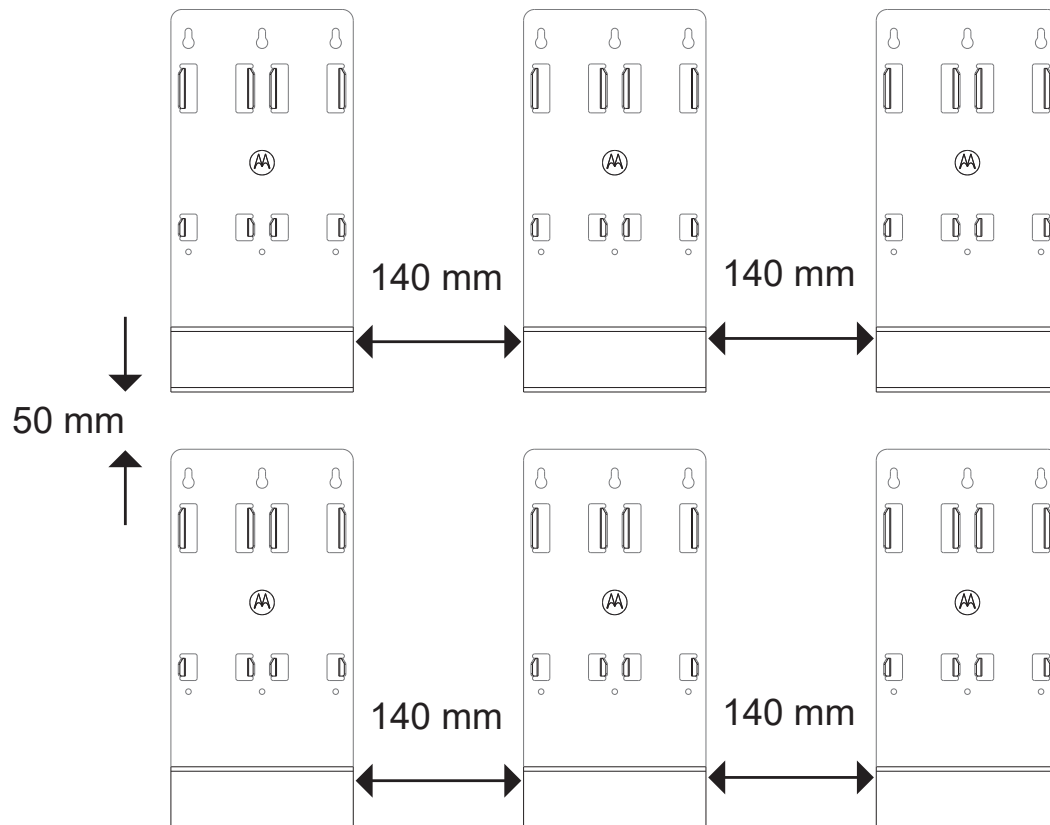
2. Monte o suporte na parede utilizando material de montagem adequado, como buchas para paredes de gesso. Os orifícios de montagem superiores têm uma funcionalidade deslizante para uma montagem mais fácil.
3. Perfure com base nas marcações dos orifícios de montagem na parede.
4. Para fixar o suporte, instale firmemente o material de montagem sobre os orifícios de montagem no suporte.



 **NOTA:**

Recomenda-se a utilização de um parafuso autorroscante de 10–16 x 1,5 polegadas e de uma anilha (não incluídos) em suportes de madeira e em paredes de tijolo ou betão sólido liso.

5. Monte quaisquer suportes adicionais com uma distância mínima entre si de 50 mm na vertical e de 140 mm na horizontal.

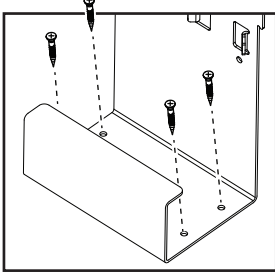
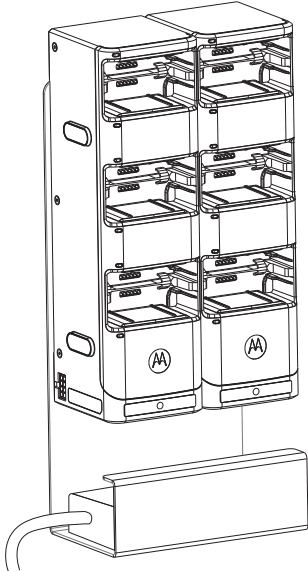


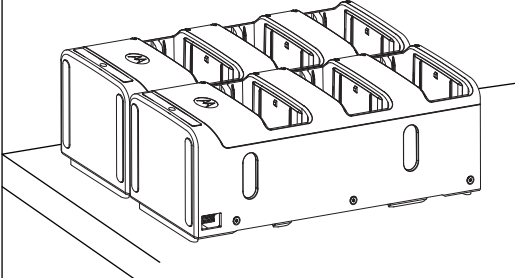
2.6

Preparar os carregadores para o carregamento para secretária

Procedimento:

Prepare o carregador para o carregamento para secretária executando uma das seguintes ações:

Opção	Ação
Carregamento com suporte de montagem	<p data-bbox="708 548 850 575">NOTA:</p> <ul data-bbox="769 590 1333 898" style="list-style-type: none">• Se o carregador for colocado numa posição vertical, recomenda-se a colocação do carregador no suporte de montagem para evitar que este caia.• Recomenda-se a utilização de parafusos autorroscantes de 10–16 x 1,5 pol. para montar o suporte no tampo da mesa.• Certifique-se de que os parafusos não penetram na mesa. <p data-bbox="699 919 1214 947">a. Aparafuse o suporte de parede à mesa.</p>  <p data-bbox="699 1287 1382 1346">b. Coloque a fonte de alimentação no interior do suporte de parede.</p> 

Opção	Ação
Carregamento sem suporte metálico	<p>a. Coloque o carregador na horizontal.</p> 

2.7

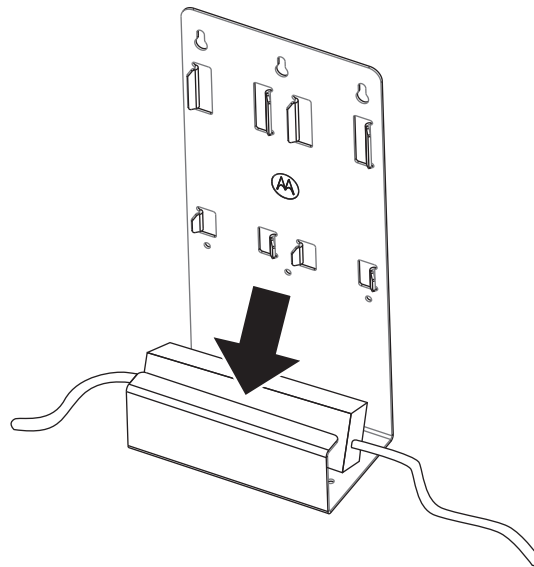
Preparar os carregadores para a posição de carregamento vertical

Pré-requisitos:

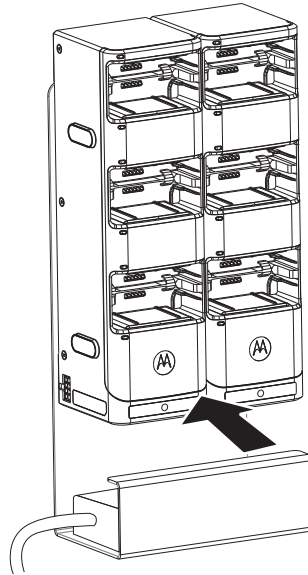
Certifique-se de que o suporte de montagem está montado na parede e de que os carregadores estão combinados antes de os montar no suporte de montagem.

Procedimento:

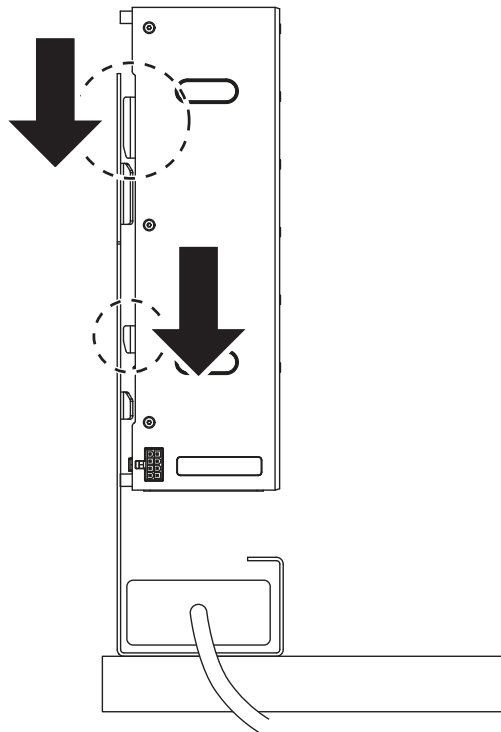
1. Coloque o adaptador da fonte de alimentação no suporte de montagem.



2. Coloque e encoste o carregador ao suporte.



3. Alinhe as calhas traseiras do carregador com as calhas do suporte de montagem.
4. Deslize o carregador para baixo para o fixar com as duas calhas.



5. Certifique-se de que ambas as calhas estão fixas antes de soltar o carregador.

