

Mag One

Accessory Quick Reference Guide Accessories



68012003098-DB

Motorola and Mag One are trademarks or registered trademarks of Motorola Trademark Holdings, LLC and is used under license. All other trademarks are the property of their respective owners.

© 2011 and 2021 Motorola Solutions, Inc.

All rights reserved.

Printed in



Acoustic Safety

Exposure to loud noises from any source for extended periods of time may temporarily or permanently affect your hearing. The louder the volume, the less time is required before your hearing could be affected. Hearing damage from loud noise is sometimes undetectable at first and can have a cumulative effect.

To protect your hearing:

- Use the lowest volume necessary to do your job.
- Turn up the volume only if you are in noisy surroundings.
- Turn down the volume before connecting headset or earpiece.
- Limit the amount of time you use headsets or earpieces at high volume.
- When using the radio without a headset or earpiece, do not place the radio's speaker directly against your ear.

NOTE

For radio to detect the accessory properly, turn the radio off before connecting the audio accessory to the radio.

180 DAYS LIMITED WARRANTY

Manufacture warrants enclosed product against defects in material and workmanship under normal use and service for 180 days provided it is returned in accordance with this warranty. If defective, the product will be repaired or replaced at manufacturer's option, at no charge, with dated proof of purchase. This warranty does not cover defects or damage resulting from: Misuse, improper operation, unauthorized modification, liquid, batteries, or normal wear and tear.

Attaching the Audio Accessory to the Radio

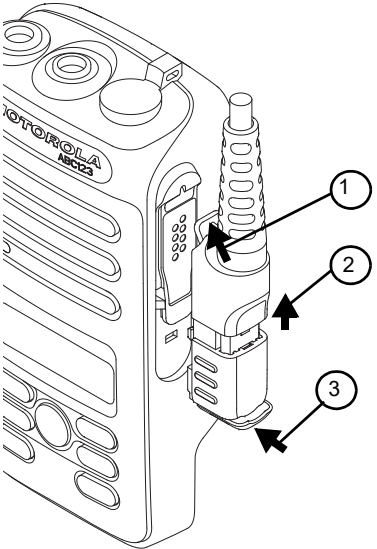


Figure 1: Secure the accessory connector

Detaching the Audio Accessory from the Radio

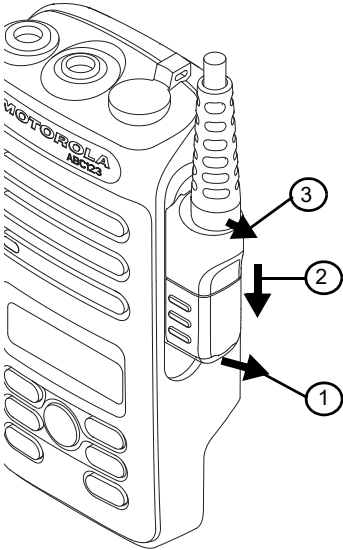


Figure 2: Remove the accessory connector