



NS750 IMPRES™

Omnidirectional Remote Speaker Microphone

PMMN4150 and PMMN4151

en-US	fr-CA	es-LA	pt-BR	zh-CN	zh-TW
ja-JP	ko-KR	de-DE	fr-FR	nl-NL	ru-RU
uk-UA	ar-EG				

JULY 2023



Safety and Legal

This section provides the safety and legal information for this product.

Intellectual Property and Regulatory Notices

Copyrights

The Motorola Solutions products described in this document may include copyrighted Motorola Solutions computer programs. Laws in the United States and other countries preserve for Motorola Solutions certain exclusive rights for copyrighted computer programs. Accordingly, any copyrighted Motorola Solutions computer programs contained in the Motorola Solutions products described in this document may not be copied or reproduced in any manner without the express written permission of Motorola Solutions.

No part of this document may be reproduced, transmitted, stored in a retrieval system, or translated into any language or computer language, in any form or by any means, without the prior written permission of Motorola Solutions, Inc.

Trademarks

MOTOROLA, MOTO, MOTOROLA SOLUTIONS, and the Stylized M Logo are trademarks or registered trademarks of Motorola Trademark Holdings, LLC and are used under license. All other trademarks are the property of their respective owners.

License Rights

The purchase of Motorola Solutions products shall not be deemed to grant either directly or by implication, estoppel or otherwise, any license under the copyrights, patents or patent applications of Motorola Solutions, except for the normal non-exclusive, royalty-free license to use that arises by operation of law in the sale of a product.

Open Source Content

This product may contain Open Source software used under license. Refer to the product installation media for full Open Source Legal Notices and Attribution content.

European Union (EU) and United Kingdom (UK) Waste of Electrical and Electronic Equipment (WEEE) Directive



The European Union's WEEE directive and the UK's WEEE regulation require that products sold into EU countries and the UK must have the crossed-out wheeled bin label on the product (or the package in some cases). As defined by the WEEE directive, this crossed-out wheeled bin label means that customers and end-users in EU and UK countries should not dispose of electronic and electrical equipment or accessories in household waste.

Customers or end-users in EU and UK countries should contact their local equipment supplier representative or service centre for information about the waste collection system in their country.

Disclaimer

Please note that certain features, facilities, and capabilities described in this document may not be applicable to or licensed for use on a specific system, or may be dependent upon the characteristics of

a specific mobile subscriber unit or configuration of certain parameters. Please refer to your Motorola Solutions contact for further information.

© 2023 Motorola Solutions, Inc. All Rights Reserved

RF Energy Exposure and Product Safety Guide for Portable Two-Way Radios

CAUTION:

Before using this accessory, read this guide which contains important operating instructions for safe usage and RF energy awareness and control for compliance with applicable standards and regulations.

The Remote Speaker Microphone (RSM), when attached to the radio, is restricted to occupational use only to satisfy FCC/ICNIRP RF energy exposure requirements. Before using this product, read the RF energy awareness information and operating instructions in the Product Safety and RF Exposure booklet enclosed with your radio to ensure compliance with RF energy exposure limits.

For information on radio compatibility, refer to [Radio Compatibility on page 9](#).

Acoustic Safety

Exposure to loud noises from any source for extended periods of time may temporarily or permanently affect your hearing. The louder the radio volume, the less time is required before your hearing could be affected. Hearing damage from loud noise is sometimes undetectable at first and can have a cumulative effect. To protect your hearing:

- Use the lowest volume necessary to do your job.
- Turn up the volume only if you are in noisy surroundings.
- Turn down the volume before wearing the headset or earpiece.
- Limit the amount of time you use headsets or earpieces at high volume.
- When using the radio without a headset or earpiece, do not place the radio speaker directly against your ear.
- If you experience hearing discomfort, ringing in your ears, or speeches that are muffled, you should stop listening to your radio through your headset or earpiece, and have your hearing checked by your doctor. To change the volume level, refer to Radio Product Safety Leaflet or Customer Programming Software (CPS) for Surveillance extra loud (xL) Kit Configurations.

Conformity Markings



Contact Address

European Union Contact

Motorola Solutions,
Czerwone Maki 82,
30-392 Krakow, Poland

UK Contact

Motorola Solutions UK Ltd.,

MN009167A01-AE
Safety and Legal

Nova South, 160 Victoria Street,
London, SW1E 5LB,
United Kingdom

Contact Us

The Centralized Managed Support Operations (CMSO) is the primary contact for technical support included in your organization's service agreement with Motorola Solutions.

Service agreement customers should be sure to call the CMSO in all situations listed under Customer Responsibilities in their agreement, such as:

- To confirm troubleshooting results and analysis before taking action

Your organization received support phone numbers and other contact information appropriate for your geographic region and service agreement. Use that contact information for the most efficient response. However, if needed, you can also find general support contact information on the Motorola Solutions website, by following these steps:

- 1 Enter motorolasolutions.com in your browser.
- 2 Ensure that your organization's country or region is displayed on the page. Clicking or tapping the name of the region provides a way to change it.
- 3 Select "Support" on the motorolasolutions.com page.

Comments

Send questions and comments regarding user documentation to documentation@motorolasolutions.com.

Provide the following information when reporting a documentation error:

- The document title and part number
- The page number or title of the section with the error
- A description of the error

Motorola Solutions offers various courses designed to assist in learning about the system. For information, go to <https://learning.motorolasolutions.com> to view the current course offerings and technology paths.

Icon Conventions

The documentation set is designed to give the reader more visual clues. The following graphic icons are used throughout the documentation set.



DANGER: The signal word DANGER with the associated safety icon implies information that, if disregarded, will result in death or serious injury.



WARNING: The signal word WARNING with the associated safety icon implies information that, if disregarded, could result in death or serious injury, or serious product damage.



CAUTION: The signal word CAUTION with the associated safety icon implies information that, if disregarded, may result in minor or moderate injury, or serious product damage.

CAUTION: The signal word CAUTION may be used without the safety icon to state potential damage or injury that is not related to the product.



IMPORTANT: IMPORTANT statements contain information that is crucial to the discussion at hand, but is not CAUTION or WARNING. There is no warning level associated with the IMPORTANT statement.



NOTE: NOTICE contains information more important than the surrounding text, such as exceptions or preconditions. They also refer the reader elsewhere for additional information, remind the reader how to complete an action (when it is not part of the current procedure, for instance), or tell the reader where something is on the screen. There is no warning level associated with a notice.

Contents

Safety and Legal	2
Intellectual Property and Regulatory Notices.....	2
RF Energy Exposure and Product Safety Guide for Portable Two-Way Radios.....	3
Acoustic Safety.....	3
Conformity Markings.....	3
Contact Address.....	3
Contact Us	5
Icon Conventions	6
Chapter 1: Remote Speaker Microphone Overview	8
1.1 Radio Compatibility.....	9
1.2 Approved Accessories.....	9
1.3 Replacement Parts.....	9
Chapter 2: Audio Routing Prioritization	11
2.1 Audio Switching Reminder Alarm.....	11
Chapter 3: Operating Instructions	12
3.1 Attaching and Detaching Your Remote Speaker Microphone (RSM).....	12
Chapter 4: Recommended Radio Settings	13
Chapter 5: Recommended Practices	14
5.1 Receiving from Remote Speaker Microphone (RSM).....	14
5.2 Transmitting from Remote Speaker Microphone (RSM).....	14
5.3 Audio Jack Usage.....	15
5.3.1 Opening and Closing the Audio Jack Cover.....	15
5.3.2 Inserting and Removing Audio Jack.....	15
5.4 Nexus Jack.....	16
5.5 Recommended Wearing Positions.....	17
5.6 Cable Management.....	18
Chapter 6: NS750 Nexus RSM Interface	20
Chapter 7: Cleaning Procedures	23
7.1 Cleaning Procedure.....	23
7.2 Disinfectant and Decontaminant Procedures.....	24
Chapter 8: Service and Warranty	25

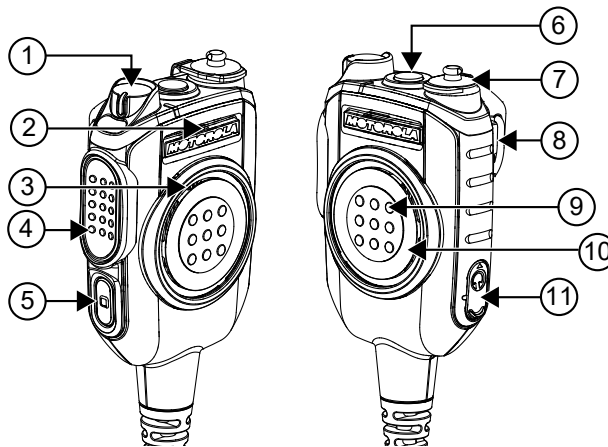
Chapter 1

Remote Speaker Microphone Overview

This manual is applicable for the following Remote Speaker Microphones (RSM):

- PMMN4150 - NS750 IMPRES™ Omnidirectional Remote Speaker Microphone (with long cable)
- PMMN4151 - NS750 IMPRES™ Omnidirectional Remote Speaker Microphone (with short cable)

Figure 1: RSM Overview



Item	Description
1	Audio Switching Knob
2	Omni Microphone
3	Speaker
4	Side Push-to-Talk (PTT) Button
5	1-Dot Programmable Button
6	Accessory Orange Button
7	Nexus jack
8	Belt Clip
9	Front PTT Button
10	Front PTT Paddle label placement
11	3.5 mm Audio Jack ¹

¹ 3.5 mm Audio Jack is compatible with PMLN7188_ kit only

1.1

Radio Compatibility

The followings radios are compatible with the Remote Speaker Microphone (RSM):

- MOTOTRBO R7 - requires firmware R02.22.03.1001 and onwards
- MXP600 - requires firmware R55.XX0.9840 and onwards

1.2

Approved Accessories

This section provides the list of approved accessories to be used with your Remote Speaker Microphone (RSM).

Earpiece

Table 1: Earpiece

Part Number	Description
PMLN7188_	ATEX 3.5 mm Receive-only Earpiece with Translucent Tube

Audio Nexus Accessories

Table 2: Audio Nexus Accessories

Part Number	Description
GMMN4585_ ^{2, 3}	Savox HC-1 Helmet Communication
GMMN4584_ ^{2, 3}	Savox HC-2 Helmet Communication
PMLN8265_ ^{2, 3}	Headband Headset with Nexus
PMLN8266_ ^{2, 3}	Neckband Headset with Nexus
PMLN8267_ ^{2, 3}	Hardhat Headset with Nexus

The audio performance of other Nexus plugs accessories connected to the RSM is not guaranteed as the compatibility is not tested. For optimal performance, place the Nexus accessories cable away from the radio antenna.

1.3

Replacement Parts

Your RSM is not repairable. The following optional accessories and replacement parts are available for order from Motorola Solutions.

Table 3: Replacement Parts

Part Number	Description
0104068J78_	Belt Clip

² The Audio Nexus accessories are non-UL approved accessory.

³ The system level is non-UL when used with the RSM.

Part Number	Description
PMLN8464_	Replacement Front PTT Paddle Label (Green)
PMLN8465_	Replacement Front PTT Paddle Label (Blue)
PMLN8466_	Replacement Front PTT Paddle Label (Red)
PMLN8468_	Replacement Front PTT Paddle Label (Yellow)
PMLN8469_	Replacement Front PTT Paddle Label (Silver)
PMLN8523_	Replacement Front PTT Paddle Label (Orange)

Chapter 2

Audio Routing Prioritization

Figure 2: Audio Routing

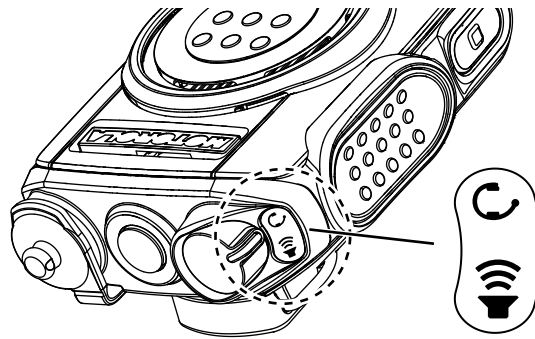





Table 4: Audio Routing Prioritization


Toggle Mode	Configuration	Transmit (Tx) Routing	Receive (Rx) Routing
 RSM or with SAA jack	RSM alone	RSM	RSM
	RSM with Nexus SAA	Nexus SAA	Nexus SAA
	RSM with 3.5 mm SAA + Nexus SAA	Nexus SAA	Nexus SAA
	RSM with 3.5 mm SAA	RSM	3.5 mm SAA
 RSM only	RSM alone	RSM	RSM
	RSM with Nexus SAA	RSM	RSM
	RSM with 3.5 mm SAA + Nexus SAA	RSM	RSM
	RSM with 3.5 mm SAA	RSM	RSM

2.1

Audio Switching Reminder Alarm

This section provides information on audio switching reminder alarm.

A pulsing audible alarm is heard in the connected Nexus accessories when the audio routing is switched to the  mode.

As part of the safety feature to prevent mistaken or forgotten audio switching, the audible alarm is always enabled. You are recommended to switch the audio to the  mode when wearing the Nexus accessory for operation.

Chapter 3

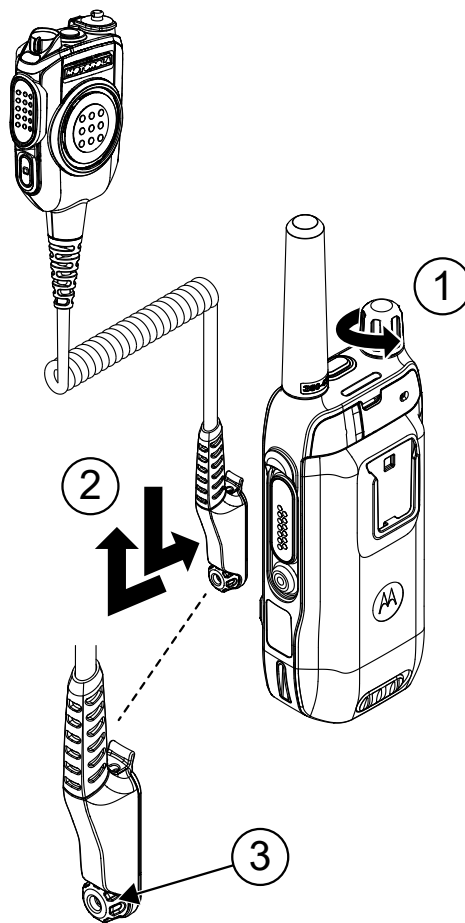
Operating Instructions

This section provides guidelines on how to use your Remote Speaker Microphone.

3.1

Attaching and Detaching Your Remote Speaker Microphone (RSM)

When and where to use:



Item	Description
1	Turn off the radio.
2	Tighten or loosen the screw to attach or detach the RSM from the radio.
3	Thumb screw

Chapter 4

Recommended Radio Settings



NOTE: Only applicable to MOTOTRBO R7 radios.

Main Menu→**Utilities**→**Radio Settings**

Table 5: Radio Settings

Radio Settings	Recommended Settings
AF Suppressor	Enabled
Audio Preference	Default
Intelligent Audio	Enabled
Mic AGC-D	Enabled
Noise Suppressor	Enabled
Talkaround	Enabled

Chapter 5

Recommended Practices

This section provides information on the recommended practices for the Remote Speaker Microphone (RSM).

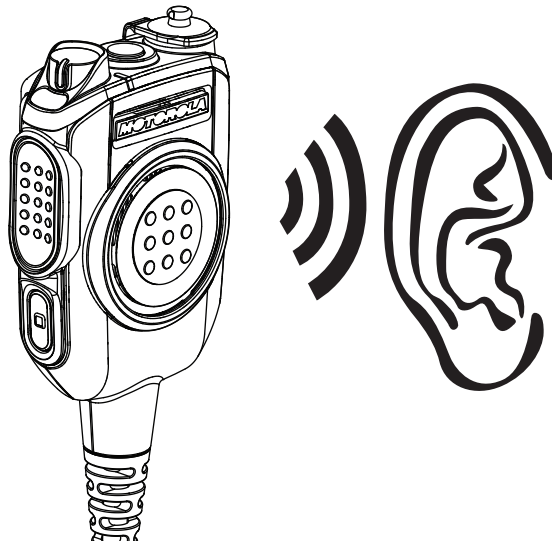
5.1

Receiving from Remote Speaker Microphone (RSM)

Procedure:

Refer to [Audio Routing Prioritization on page 11](#) for more information.

Figure 3: Receiving from RSM



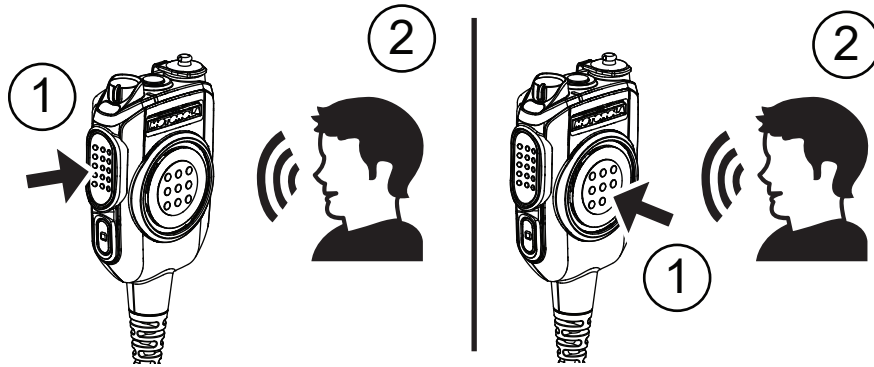
5.2

Transmitting from Remote Speaker Microphone (RSM)

Procedure:

- 1 Press and hold the **PTT** button.
- 2 Speak closely to the microphone for the best intelligibility performance.

Figure 4: Transmitting from RSM



5.3

Audio Jack Usage

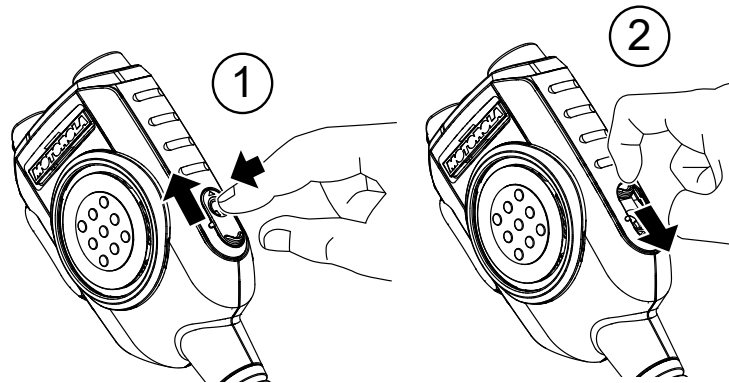
This section provides information on best practices for audio jack.

- Clean or remove any foreign material from audio jack before use.
- Always cover the audio jack with dust cover when it is not plugged in.

5.3.1

Opening and Closing the Audio Jack Cover

When and where to use:



Item	Description
1	Push and slide the cover
2	Slide the cover

5.3.2

Inserting and Removing Audio Jack

When and where to use:

Figure 5: Plugging in Audio Jack

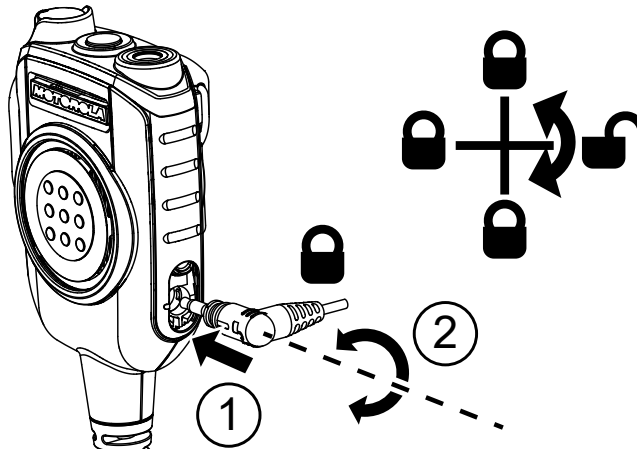
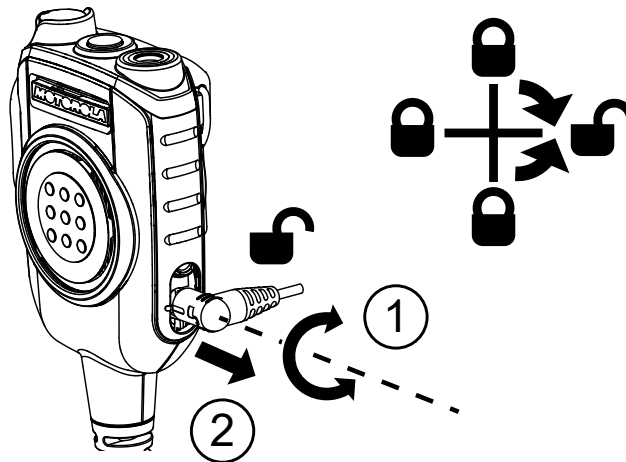


Figure 6: Unplug Audio Jack



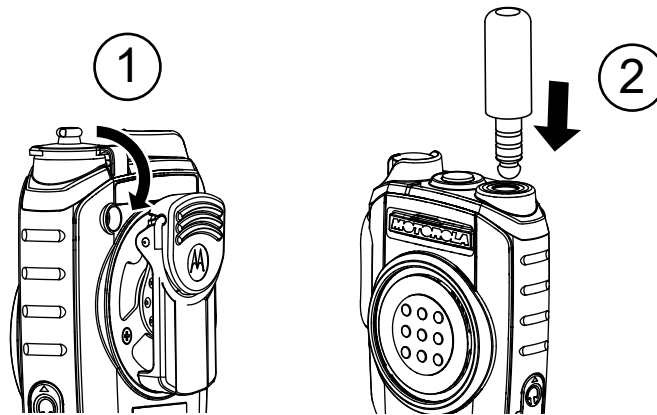
5.4

Nexus Jack

This section provides information on best practices for Nexus jack

- Clean or remove any foreign material from jack before use.
- Always cover the Nexus jack with dust cover when it is not plugged in.

Figure 7: Plugging in Nexus Jack



NOTE: It is recommended to turn off your radio before plugging in or unplugging the Nexus accessories.

5.5

Recommended Wearing Positions

This section describes the Remote Speaker Microphone (RSM) recommended wearing position.

Figure 8: RSM with Long Cable

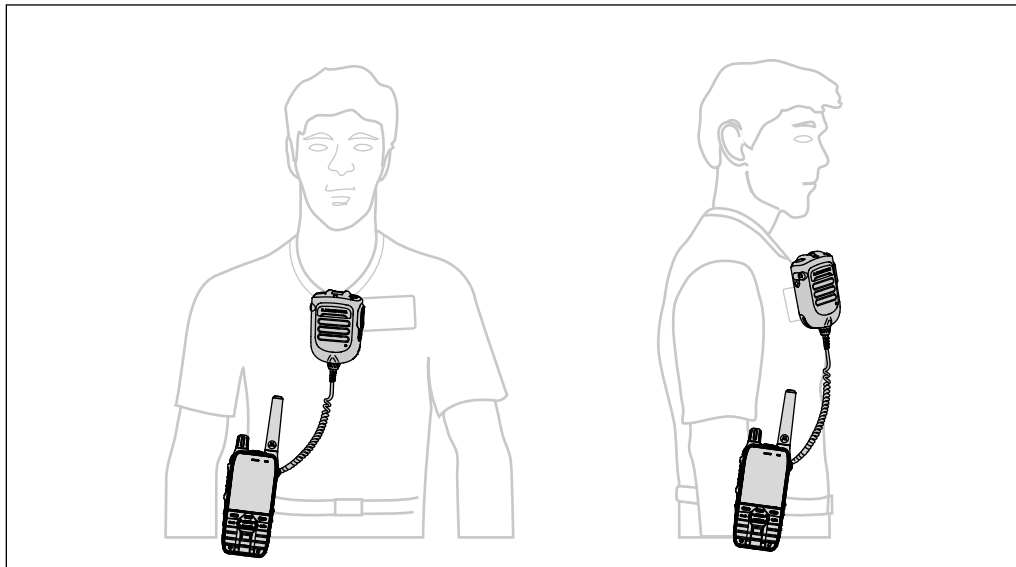
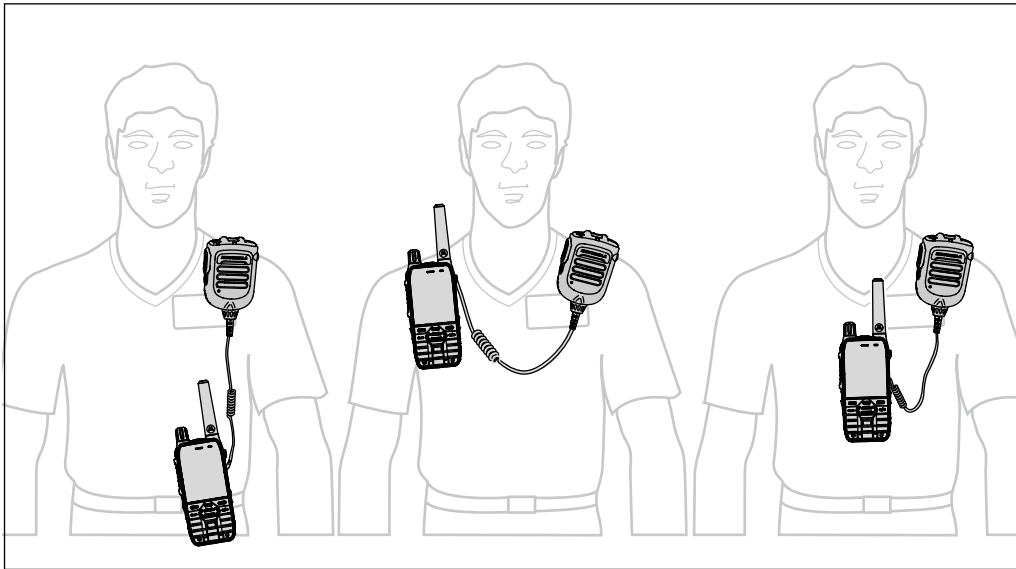


Figure 9: RSM with Short Cable



NOTE: Recommended radio wearing position on the lapel is only for lightweight radio.

5.6

Cable Management

This section describes the recommended cable position.

Figure 10: Recommended

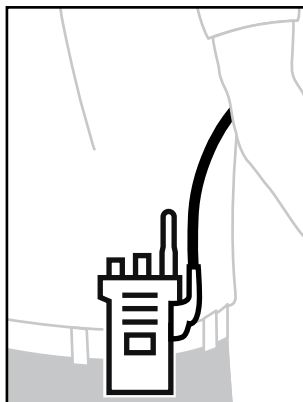
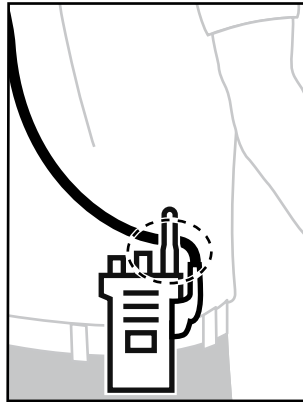


Figure 11: Not Recommended



To ensure optimum range and user experience, it is recommended to avoid crossing accessory cable with the radio antenna.

Chapter 6

NS750 Nexus RSM Interface

This section lists the Nexus RSM interface description when connected to different types of Secondary Audio Nexus Accessories.

Figure 12: Nexus Plug

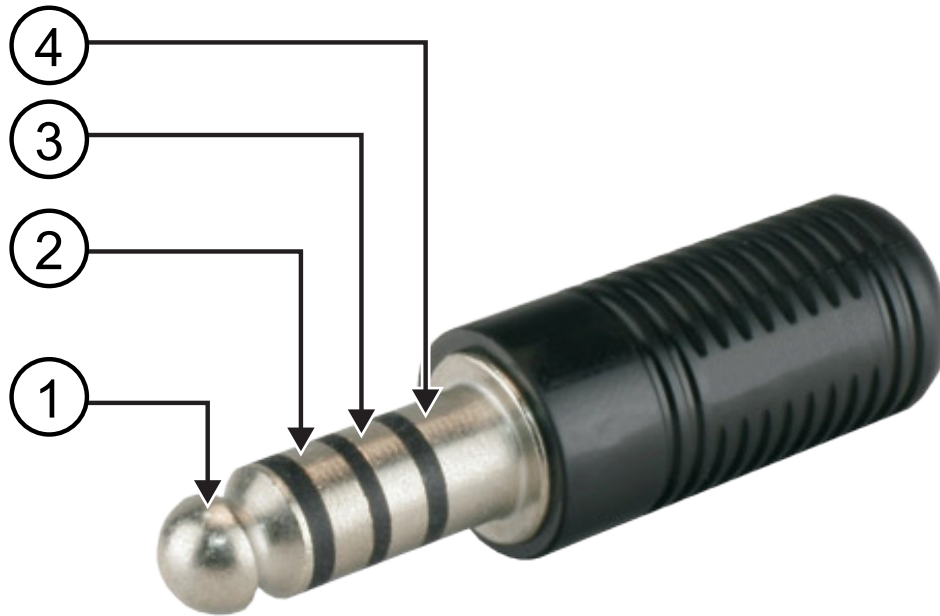


Table 6: Nexus Plug

Annotation	Nexus Plug Description
1	Tip (Pin 1)
2	Ring 1 (Pin 2)
3	Ring 2 (Pin 3)
4	Sleeve (Pin 4)

Table 7: NS750 Nexus RSM Interface

Parameter	Value
Electret Microphone + DSP Processor	

Parameter	Value	
Path	Path 1	
Microphone Impedance	Open	
Voltage for Microphone detect (Pin 2 to Pin 1 versus the Voltage reference (1.1 V))	Higher than Voltage reference at Pin 2	
Pin Out	Pin Out Assignment	Remarks
Pin 1	GND	GND
Pin 2	Microphone+	> 1.1 V (Higher than Voltage reference)
Pin 3	Not Connected	Not Applicable (NA)
Pin 4	Speaker Single-Ended	Single-Ended Audio
Microphone Gain in RSM	+6 dB	
Propose Microphone Component Sensitivity	Electret Microphone with DSP processor	
Speaker Impedance	Supplier to determine	
Audio Safety recommended by Motorola Solutions	≈ <118 dB SPL (peak)	
Electret Microphone		
Path	Path 2	
Microphone Impedance	≈ <1 kΩ	
Voltage for Microphone detect (Pin 2 to Pin 1 versus the Voltage reference (1.1 V))	Lower than Voltage reference at Pin 2	
Pin Out	Pin Out Assignment	Remarks
Pin 1	GND	GND
Pin 2	Microphone+	< 1.1 V (Lower than Voltage reference)
Pin 3	Speaker+	Balanced Audio
Pin 4	Speaker-	
Microphone Gain in RSM	+22 dB	
Propose Microphone Component Sensitivity	Electret Microphone (≈ -60dB re 1V/Pa)	
Speaker Impedance	Supplier to determine	
Audio Safety recommended by Motorola Solutions	≈ <118 dB SPL (peak)	
Bone Conduction/Accelerometer		
Path	Path 3	
Microphone Impedance	≈ <1 kΩ	

Parameter	Value	
Voltage for Microphone detect (Pin 3 to Pin 1 versus the Voltage reference (1.1 V))	Lower than Voltage reference at Pin 3	
Pin Out	Pin Out Assignment	Remarks
Pin 1	GND	GND
Pin 2	Not Connected	Not Applicable (NA)
Pin 3	Bone Conduction Microphone	< 1.1 V (Lower than Voltage reference)
Pin 4	Speaker Single-Ended	Single-Ended Audio
Microphone Gain in RSM	+29 dB	
Propose Microphone Component Sensitivity	Vibration-sensitive, impedance microphone	
Speaker Impedance	Supplier to determine	
Audio Safety recommended by Motorola Solutions	≈ <118 dBSPL (peak)	

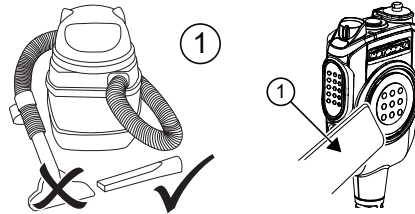
Chapter 7

Cleaning Procedures

This section provides information on cleaning procedures for the Remote Speaker Microphone (RSM)

Optional Step for High Debris Environment

Vacuum the front surface of the RSM before general cleaning.



WARNING: The followings voids the warranty:

- Use of more than 4 hp/3 kW vacuum.
- Any nozzle other than a crevice nozzle.
- Any other cleaning method.

7.1

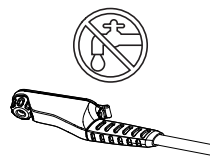
Cleaning Procedure

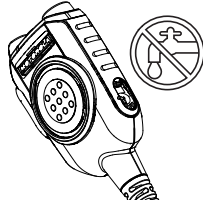
When and where to use:



WARNING:

- Ensure that the connector do not get wet.
- Do not fill water into the Nexus jack or the audio jack.
- Cover the Nexus jack or the audio jack with the dust cover when it is not plugged with earpiece.
- If water enters the Nexus jack or the audio jack, remove water by shaking the Remote Speaker Microphone (RSM).

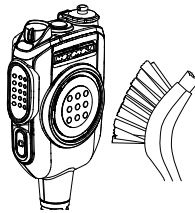




WARNING: Use only dish soap and water. Other cleaning solutions may permanently damage the RSM housing and will void the warranty. Do not soak more than 30 minutes.

Procedure:

- 1 Mix one teaspoon of mild dish-washing detergent to one gallon of water (0.5 % solution).
- 2 Apply the solution sparingly with a stiff, nylon, and short bristled brush.



WARNING: Do not allow the bristles to enter the speaker or microphone porting areas which can cause internal damage and will void the warranty.

- 3 Fully rinse the RSM with cold water and dry thoroughly with soft lint-free cloth.
- 4 Hold the RSM with the front surface down, and lightly shake it a few times to clear out water that may be underneath the speaker openings or microphone ports.

7.2

Disinfectant and Decomtaminant Procedures

Motorola Solutions provides recommended cleaning and disinfecting guidelines for your RSM, based on current and best understanding of RSM hygiene.

Per global health authorities, removing germs, dirt, and impurities from the surfaces lower the risk of spreading infection. You can use the following disinfectants or decomtaminant to disinfect your RSM:

- Dewipe Decontamination Wipes

Chapter 8

Service and Warranty

Motorola Solutions offers a standard one year warranty. Contact your Motorola Solutions dealer for detailed information on the standard warranty.

For More Information

Contact Motorola Solutions Authorized Dealer or visit us at www.motorolasolutions.com.



Microphone haut-parleur distant omnidirectionnel IMPRES NS750TM PMMN4150 et PMMN4151

JUILLET 2023

© 2023 Motorola Solutions, Inc. All rights reserved



MN009167A01-AE

Sécurité et aspect juridique

Cette section fournit des renseignements sur la sécurité et l'aspect juridique pour ce produit.

Propriété intellectuelle et avis réglementaires

Droits d'auteur

Les produits Motorola Solutions décrits dans ce document peuvent inclure des programmes informatiques protégés par des droits d'auteur de Motorola Solutions. Les lois des États-Unis et d'autres pays réservent à Motorola Solutions certains droits exclusifs pour les programmes informatiques protégés par droits d'auteur. Par conséquent, tout programme informatique protégé par droits d'auteur de Motorola Solutions compris dans les produits Motorola Solutions décrits dans le présent document ne peut être copié ni reproduit de quelque manière que ce soit sans l'autorisation écrite expresse de Motorola Solutions.

Aucune partie du présent document ne peut être reproduite, transmise, stockée dans un système de recherche documentaire ou traduite dans une autre langue ou dans un langage informatique, sous quelque forme ou par quelque moyen que ce soit, sans l'autorisation écrite préalable de Motorola Solutions, Inc.

Marques de commerce

MOTOROLA, MOTO, MOTOROLA SOLUTIONS et le logo du M stylisé sont des marques de commerce ou des marques déposées de Motorola Trademark Holdings, LLC et sont utilisées sous licence. Toutes les autres marques de commerce sont la propriété de leurs détenteurs respectifs.

Droits de licence

L'achat de produits Motorola Solutions ne peut être considéré comme une transaction octroyant directement, par inférence, estoppel ou autrement, une licence en vertu des droits d'auteur, des droits de brevets ou d'une demande de brevet de Motorola Solutions, à l'exception d'une licence d'utilisation normale et non exclusive, libre de toute redevance, prévue par la loi lors de la vente d'un produit.

Contenu à code source libre

Ce produit peut contenir des logiciels libres utilisés sous licence. Reportez-vous au support d'installation du produit pour obtenir tous les avis juridiques relatifs aux logiciels libres et aux contenus d'attribution.

Directive sur la mise au rebut des équipements électriques et électroniques (DEEE) de l'Union européenne (UE) et du Royaume-Uni (RU)



La directive DEEE de l'Union européenne et les réglementations DEEE du Royaume-Uni exigent que les produits (ou leur emballage, dans certains cas) vendus dans les pays de l'UE ou au RU portent l'étiquette de la poubelle barrée. Comme le définit la directive DEEE, cette étiquette de poubelle barrée signifie que les clients et les utilisateurs finaux dans les pays de l'UE et du RU ne doivent pas jeter les équipements électriques et électroniques ou leurs accessoires dans les ordures domestiques.

Les clients ou les utilisateurs finaux dans les pays de l'UE et du RU doivent communiquer avec le représentant ou le centre de service local de leur fournisseur d'équipements pour obtenir des renseignements sur le système de collecte des déchets de leur pays.

Avis de non-responsabilité

Veillez noter que certaines fonctionnalités, installations et capacités décrites dans ce document pourraient ne pas s'appliquer ou être accordées sous licence pour l'utilisation sur un système particulier ou pourraient dépendre des caractéristiques d'une unité d'abonné mobile ou d'une configuration de certains paramètres. Veuillez consulter votre personne-ressource chez Motorola Solutions pour en savoir plus.

© 2023 Motorola Solutions, Inc. Tous droits réservés

Radios bidirectionnelles portatives : guide sur la sécurité du produit et l'exposition aux radiofréquences

MISE EN GARDE :

Avant d'utiliser cet accessoire, lisez le guide, qui contient d'importantes instructions de fonctionnement pour une utilisation sécuritaire et des informations sur l'exposition aux radiofréquences, dans le but d'assurer votre conformité aux normes et règlements en vigueur.

Le microphone haut-parleur distant (RSM), lorsqu'il est branché à la radio, ne doit être utilisé qu'à des fins professionnelles, conformément aux exigences de la FCC et de l'ICNIRP en matière d'exposition aux radiofréquences. Avant d'utiliser ce produit, lisez les informations relatives à l'exposition à l'énergie RF ainsi que le mode d'emploi contenus dans la brochure sur la sécurité du produit et exposition aux radiofréquences fournie avec la radio afin d'assurer sa conformité aux limites d'exposition à l'énergie des radiofréquences.

Pour en savoir plus sur la compatibilité avec les radios, reportez-vous à la section [Compatibilité avec les radios à la page 9](#).

Protection de l'ouïe

Une exposition à des bruits forts en provenance de n'importe quelle source pendant de longues périodes pourrait affecter votre audition de manière temporaire ou permanente. Plus le volume sonore de la radio est élevé, plus votre audition peut se détériorer rapidement. Des dommages auditifs dus à l'exposition à des bruits forts peuvent d'abord être indétectables, mais ceux-ci ont parfois des effets cumulatifs. Pour protéger votre audition :

- Réglez le volume le plus bas possible pour effectuer votre travail.
- Montez le volume seulement si vous vous trouvez dans un environnement bruyant.
- Baissez le volume avant de porter le casque ou l'écouteur.
- Limitez la période de temps d'utilisation du casque ou de l'écouteur à volume élevé.
- Lorsque vous utilisez la radio sans casque ni écouteur, ne placez pas le haut-parleur directement sur votre oreille.
- Si vous ressentez une gêne auditive, si vous entendez des sifflements ou si les conversations sont étouffées, vous devez cesser d'utiliser votre radio avec un casque d'écoute ou une oreillette et consulter votre médecin pour faire vérifier votre audition. Pour changer le niveau de volume, reportez-vous au feuillet sur la sécurité du produit ou au logiciel de programmation client (CPS) pour trousse de surveillance extra forte (xL).

Marques de certification



Adresse de communication

Pour l'Union européenne, communiquez avec :

Motorola Solutions,
Czerwone Maki 82,
30-392 Krakow, Pologne

Pour le Royaume-Uni, communiquez avec :

Motorola Solutions UK Ltd.,
Nova South, 160 Victoria Street,
Londres, SW1E 5LB,
Royaume-Uni

Communiquer avec nous

Le centre des opérations de soutien centralisé (« Centralized Managed Support Operations » ou CMSO) est le point de contact principal pour le soutien technique compris dans l'entente de service de votre organisation avec Motorola Solutions.

Les clients disposant d'ententes de service doivent s'assurer d'appeler le CMSO dans toutes les situations énumérées dans la section Responsabilités du client de leur entente de service, notamment :

- Pour confirmer les résultats du dépannage et de l'analyse avant de prendre des mesures

Votre entreprise a reçu les numéros de téléphone du soutien et d'autres coordonnées appropriées pour votre région géographique et votre entente de service. Utilisez ces informations pour obtenir la meilleure réponse possible. Cependant, si nécessaire, vous pouvez également trouver les coordonnées du soutien général sur le site Web de Motorola Solutions, en suivant ces étapes :

- 1 Entrez motorolasolutions.com dans votre navigateur.
- 2 Vous devez vous assurer que le pays ou la région de votre organisation se trouve sur la page. Cliquez ou appuyez sur le nom de la région pour la changer.
- 3 Sélectionnez « Soutien » à la page motorolasolutions.com.

Commentaires

Envoyez vos questions et commentaires sur la documentation à l'adresse documentation@motorolasolutions.com.

Pour signaler une erreur dans la documentation, veuillez fournir les renseignements suivants :

- Le titre du document et le numéro de pièce
- Le numéro de page ou le titre de la section contenant l'erreur
- Une description de l'erreur

Motorola offre plusieurs cours conçus pour vous aider à apprendre à utiliser le système. Pour en savoir davantage et consulter la liste des cours actuellement offerts et les parcours technologiques, accédez à <https://learning.motorolasolutions.com>.

Conventions des icônes

L'ensemble de documentation est conçu pour donner au lecteur plus d'indices visuels. Les icônes suivantes sont utilisées dans tout l'ensemble de documentation.



DANGER :

Le mot-indicateur DANGER avec l'icône de sécurité associée comprend de l'information qui, si elle est ignorée, peut entraîner la mort ou des blessures graves.



AVERTISSEMENT :

Le mot-indicateur AVERTISSEMENT avec l'icône de sécurité associée comprend de l'information qui, si elle est ignorée, peut entraîner la mort ou des blessures graves ou de graves dommages au produit.



MISE EN GARDE :

Le mot-indicateur MISE EN GARDE avec l'icône de sécurité associée comprend de l'information qui, si elle est ignorée, peut entraîner des blessures mineures ou modérées ou de graves dommages au produit.

MISE EN GARDE :

Le mot-indicateur MISE EN GARDE peut être utilisé sans l'icône de sécurité pour signaler de possibles blessures ou dommages qui ne sont pas liés au produit.



IMPORTANT :

Les énoncés avec le mot-indicateur IMPORTANT contiennent de l'information cruciale sur le sujet abordé, mais ne sont pas des MISES EN GARDE ni des AVERTISSEMENTS. Aucun niveau d'avertissement n'est associé aux énoncés « IMPORTANT ».



REMARQUE :

Un AVIS contient des informations plus importantes que le texte avoisinant, comme des exceptions ou des conditions préalables. Les avis peuvent également renvoyer le lecteur ailleurs pour des renseignements supplémentaires, lui rappeler comment effectuer une action (lorsqu'elle ne fait pas partie de la présente procédure, par exemple) ou lui dire où se trouve quelque chose à l'écran. Aucun niveau d'avertissement n'est associé à un avis.

Table des matières

Sécurité et aspect juridique.....	2
Propriété intellectuelle et avis réglementaires.....	2
Radios bidirectionnelles portatives : guide sur la sécurité du produit et l'exposition aux radiofréquences.....	3
Protection de l'ouïe.....	3
Conformity Markings.....	3
Adresse de communication.....	4
Communiquer avec nous.....	5
Conventions des icônes.....	6
Chapitre 1 : Présentation du microphone haut-parleur distant.....	8
1.1 Compatibilité avec les radios.....	9
1.2 Accessoires approuvés.....	9
1.3 Pièces de rechange.....	9
Chapitre 2 : Priorisation de l'acheminement audio.....	11
2.1 Alarme de rappel pour la commutation audio.....	11
Chapitre 3 : Instructions d'utilisation.....	12
3.1 Fixer et retirer votre microphone haut-parleur distant (RSM).....	12
Chapitre 4 : Configuration radio recommandée.....	13
Chapitre 5 : Pratiques recommandées.....	14
5.1 Réception à partir du microphone haut-parleur distant (RSM).....	14
5.2 Transmission à partir du microphone haut-parleur distant (RSM).....	14
5.3 Utilisation de la prise audio.....	15
5.3.1 Ouverture et fermeture du couvercle de la prise audio.....	15
5.3.2 Insertion et retrait de la prise audio.....	16
5.4 Prise Nexus.....	16
5.5 Positions de port recommandées.....	17
5.6 Gestion des câbles.....	18
Chapitre 6 : Interface Nexus RSM NS750.....	20
Chapitre 7 : Procédures de nettoyage.....	23
7.1 Procédure de nettoyage.....	23
7.2 Procédures de désinfection et de décontamination.....	24
Chapitre 8 : Service et garantie.....	25

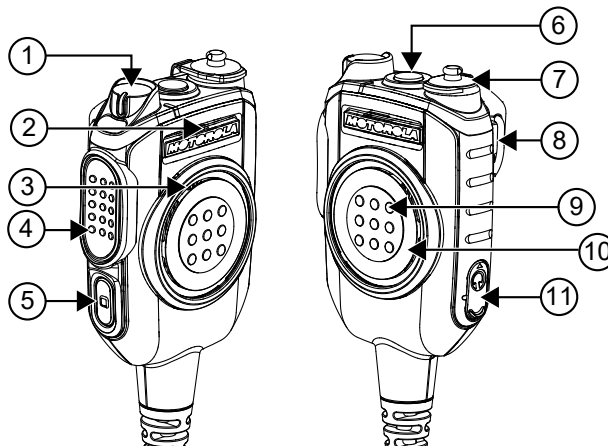
Chapitre 1

Présentation du microphone haut-parleur distant

Ce manuel s'applique aux microphones haut-parleurs distants (RSM) suivants :

- PMMN4150 – Microphone haut-parleur distant omnidirectionnel IMPRES NS750™ (avec câble long)
- PMMN4151 – Microphone haut-parleur distant omnidirectionnel IMPRES NS750™ (avec câble court)

Figure 1 : Présentation du RSM



Composant	Description
1	Bouton de commutation audio
2	Microphone Omni
3	Haut-parleur
4	Bouton Presser pour Parler (PTT) latéral
5	Bouton programmable à 1 point
6	Bouton orange d'accessoire
7	Prise Nexus
8	Pince de ceinture
9	Bouton PTT avant
10	Emplacement de l'étiquette avant de la palette PTT
11	Prise audio 3,5 mm ¹

¹ La prise audio de 3,5 mm est compatible avec l'ensemble PMLN7188_ seulement

1.1

Compatibilité avec les radios

Les radios suivantes sont compatibles avec le microphone haut-parleur distant (RSM) :

- MOTOTRBO R7 – nécessite le micrologiciel R02.22.03.1001 ou plus récent
- MXP600 – nécessite le micrologiciel R55.XX0.9840 ou plus récent

1.2

Accessoires approuvés

Cette section fournit la liste des accessoires approuvés à utiliser avec votre microphone haut-parleur distant (RSM).

Écouteur

Tableau 1 : Écouteur

Numéro de pièce	Description
PMLN7188_	Écouteur pour réception seulement ATEX de 3,5 mm avec tube translucide

Accessoires audio Nexus

Tableau 2 : Accessoires audio Nexus

Numéro de pièce	Description
GMMN4585_ ^{2, 3}	Communication des casques Savox HC-1
GMMN4584_ ^{2, 3}	Communication des casques Savox HC-2
PMLN8265_ ^{2, 3}	Casque à serre-tête avec Nexus
PMLN8266_ ^{2, 3}	Casque avec tour de cou avec Nexus
PMLN8267_ ^{2, 3}	Casque d'écoute de sécurité avec Nexus

La performance audio des autres accessoires de prise Nexus connectés au RSM n'est pas garantie, car leur compatibilité n'est pas testée. Pour une performance optimale, placez le câble d'accessoires Nexus à l'écart de l'antenne de la radio.

1.3

Pièces de rechange

Votre RSM ne peut être réparé. Les accessoires en option et les pièces de rechange suivants peuvent être commandés auprès de Motorola Solutions.

Tableau 3 : Pièces de rechange

Numéro de pièce	Description
0104068J78_	Pince de ceinture

² Les accessoires Audio Nexus ne sont pas homologués UL.

³ Le niveau du système n'est pas homologué UL lorsqu'il est utilisé avec le RSM.

Numéro de pièce	Description
PMLN8464_	Étiquette avant de la palette PTT de rechange (Verte)
PMLN8465_	Étiquette avant de la palette PTT de rechange (Bleue)
PMLN8466_	Étiquette avant de la palette PTT de rechange (Rouge)
PMLN8468_	Étiquette avant de la palette PTT de rechange (Jaune)
PMLN8469_	Étiquette avant de la palette PTT de rechange (Argentée)
PMLN8523_	Étiquette avant de palette PTT de rechange (Orange)

Chapitre 2

Priorisation de l'acheminement audio

Figure 2 : Acheminement audio

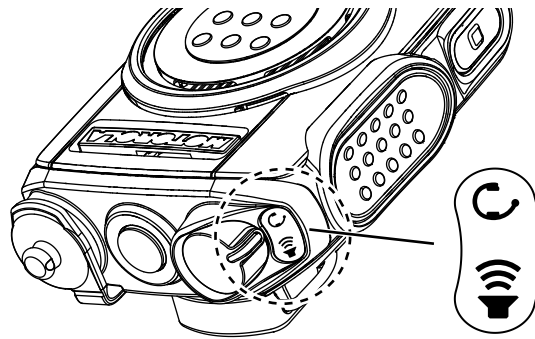





Tableau 4 : Priorisation de l'acheminement audio


Mode	Configuration	Transmission d'acheminement (Tx)	Réception d'acheminement (Rx)
 RSM ou avec prise SAA	RSM seul	RSM	RSM
	RSM avec Nexus SAA	Nexus SAA	Nexus SAA
	RSM avec SAA de 3,5 mm + Nexus SAA	Nexus SAA	Nexus SAA
	RSM avec SAA de 3,5 mm	RSM	SAA de 3,5 mm
 RSM seulement	RSM seul	RSM	RSM
	RSM avec Nexus SAA	RSM	RSM
	RSM avec SAA de 3,5 mm + Nexus SAA	RSM	RSM
	RSM avec SAA de 3,5 mm	RSM	RSM

2.1

Alarme de rappel pour la commutation audio

Cette section fournit des renseignements sur l'alarme de rappel pour la commutation audio.

Une alarme sonore retentit dans les accessoires Nexus connectés lorsque l'acheminement audio commute en mode .

Dans le cadre de la fonction de sécurité, pour éviter la commutation accidentelle des signaux audio, ou une commutation oubliée, l'alarme sonore est toujours activée. Il est recommandé de commuter l'audio vers le mode  lorsque vous portez l'accessoire Nexus.

Chapitre 3

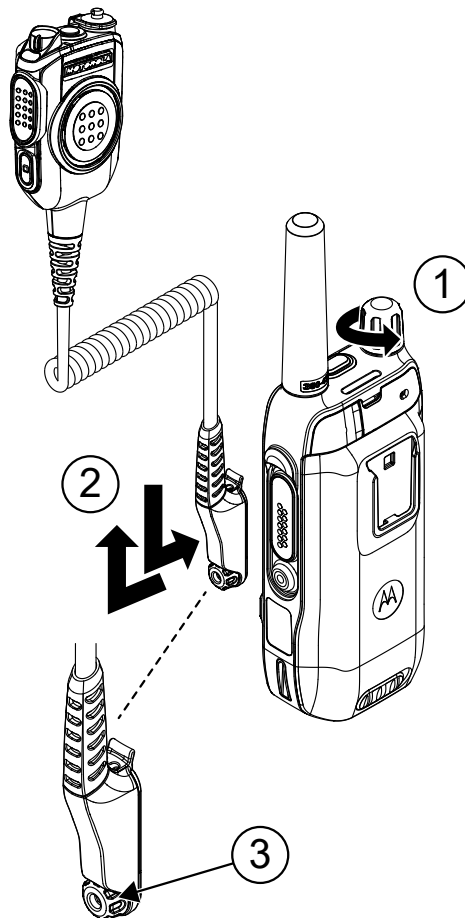
Instructions d'utilisation

Cette section fournit des directives sur l'utilisation de votre microphone haut-parleur distant.

3.1

Fixer et retirer votre microphone haut-parleur distant (RSM)

Où et quand utiliser :



Composant	Description
1	Éteignez la radio.
2	Serrez ou desserrez la vis pour fixer ou retirer le RSM de la radio.
3	Vis de serrage

Chapitre 4

Configuration radio recommandée



REMARQUE :
Applicable uniquement aux radios MOTOTRBO R7.

Main Menu→**Utilities**→**Radio Settings**

Tableau 5 : Configuration de la radio

Configuration de la radio	Configuration recommandée
Réduction bruit	Activé
Préférence audio	Par défaut
Audio intelligent	Activé
Mic. CGA-D	Activé
Suppress. bruit	Activé
Mode Talkaround (en direct)	Activé

Chapitre 5

Pratiques recommandées

Cette section fournit des informations sur les pratiques recommandées du microphone haut-parleur distant (RSM).

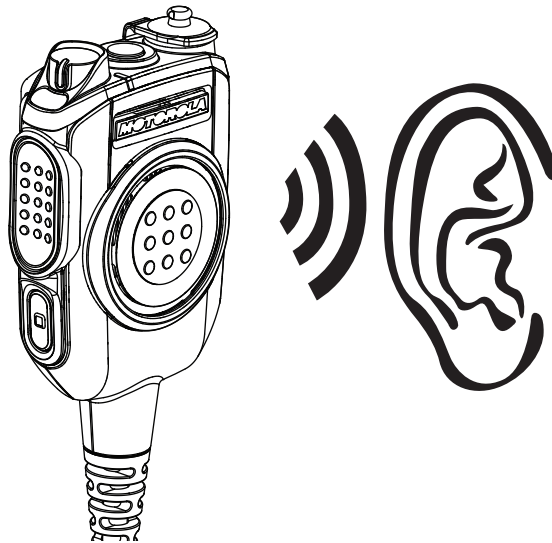
5.1

Réception à partir du microphone haut-parleur distant (RSM)

Procédure :

Reportez-vous à [Priorisation de l'acheminement audio à la page 11](#) pour en savoir plus.

Figure 3 : Réception à partir du RSM



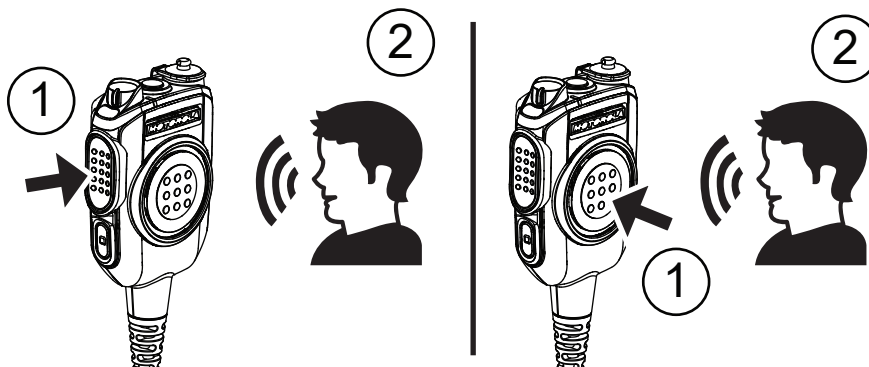
5.2

Transmission à partir du microphone haut-parleur distant (RSM)

Procédure :

- 1 Maintenez le bouton **PTT** enfoncé.
- 2 Pour une meilleure clarté, parlez près du microphone.

Figure 4 : Transmission à partir du RSM



5.3

Utilisation de la prise audio

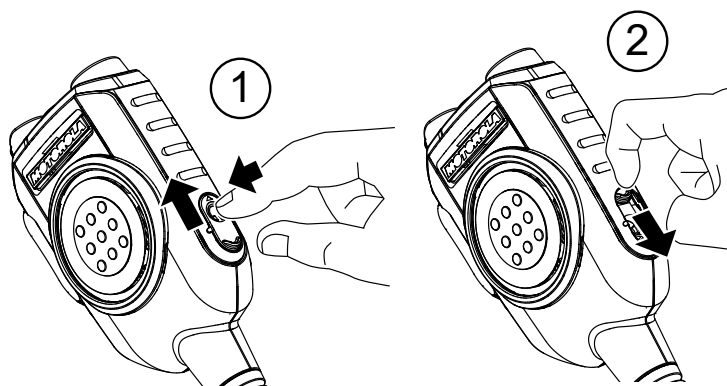
Cette section fournit des informations sur les meilleures pratiques en matière de prises audio.

- Nettoyez ou retirez tout corps étranger de la prise audio avant l'utilisation.
- Couvrez toujours la prise audio avec le cache-poussière lorsqu'elle n'est pas utilisée.

5.3.1

Ouverture et fermeture du couvercle de la prise audio

Où et quand utiliser :



Composant	Description
1	Poussez et faites glisser le couvercle

Composant	Description
2	Faites glisser le couvercle

5.3.2

Insertion et retrait de la prise audio

Où et quand utiliser :

Figure 5 : Branchement de la prise audio

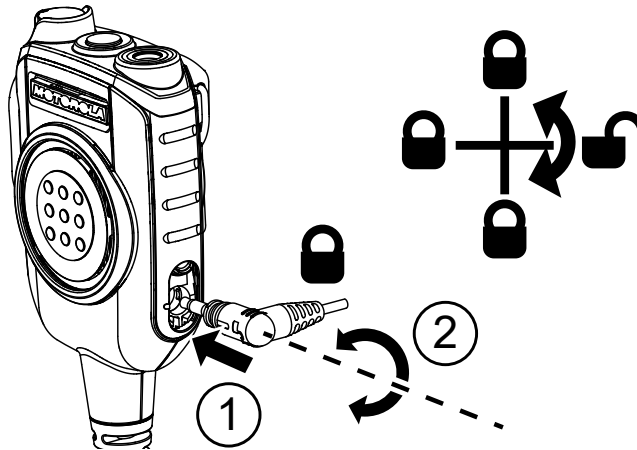
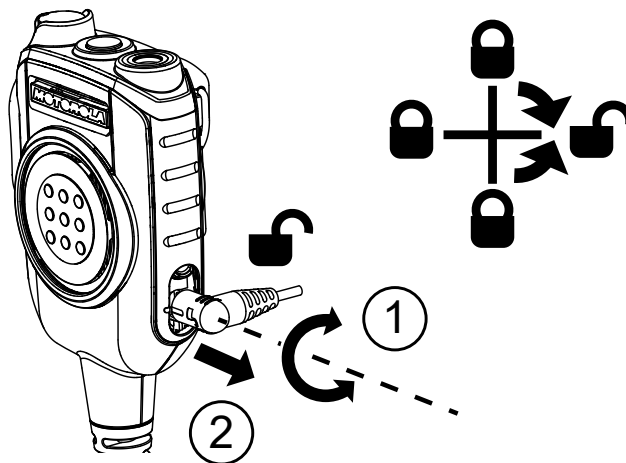


Figure 6 : Débranchement de la prise audio



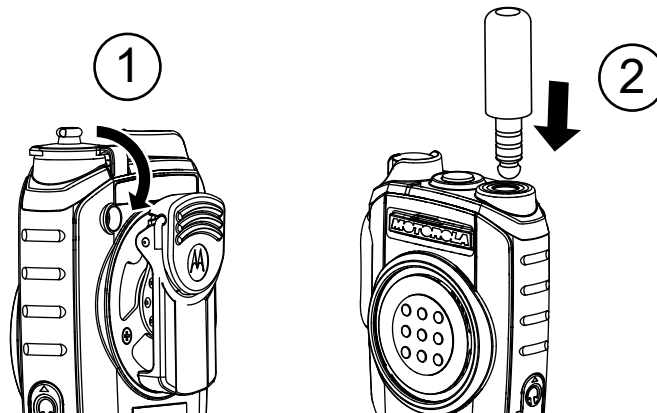
5.4

Prise Nexus

Cette section fournit des informations sur les meilleures pratiques en matière de prises Nexus

- Nettoyez ou retirez tout corps étranger de la prise avant de l'utiliser.
- Couvrez toujours la prise Nexus avec le cache-poussière lorsqu'elle n'est pas utilisée.

Figure 7 : Branchement de la prise Nexus



REMARQUE :

Il est recommandé d'éteindre votre radio avant de brancher ou de débrancher les accessoires Nexus.

5.5

Positions de port recommandées

Cette section décrit la position de port recommandée du microphone haut-parleur distant (RSM).

Figure 8 : RSM avec câble long

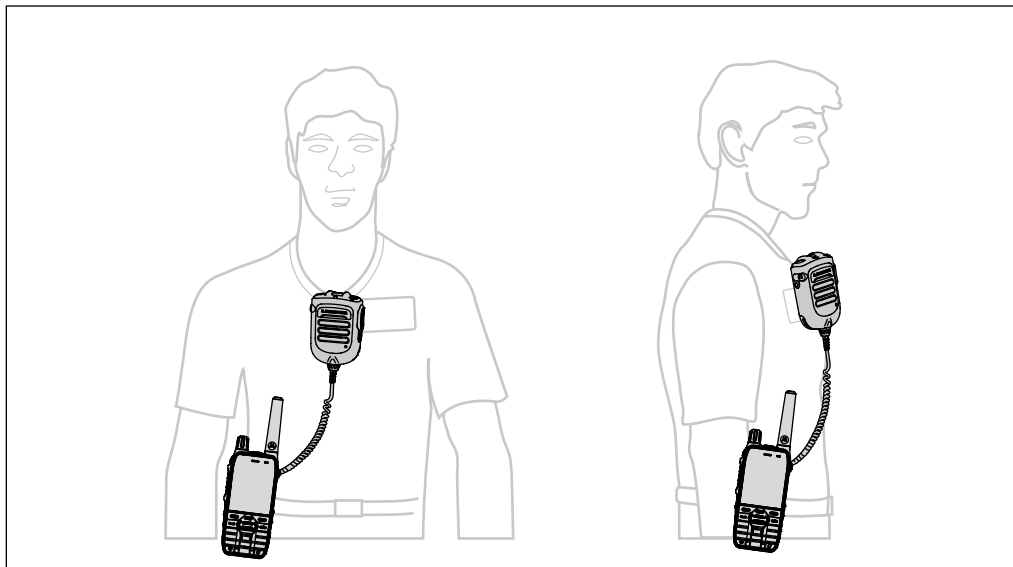
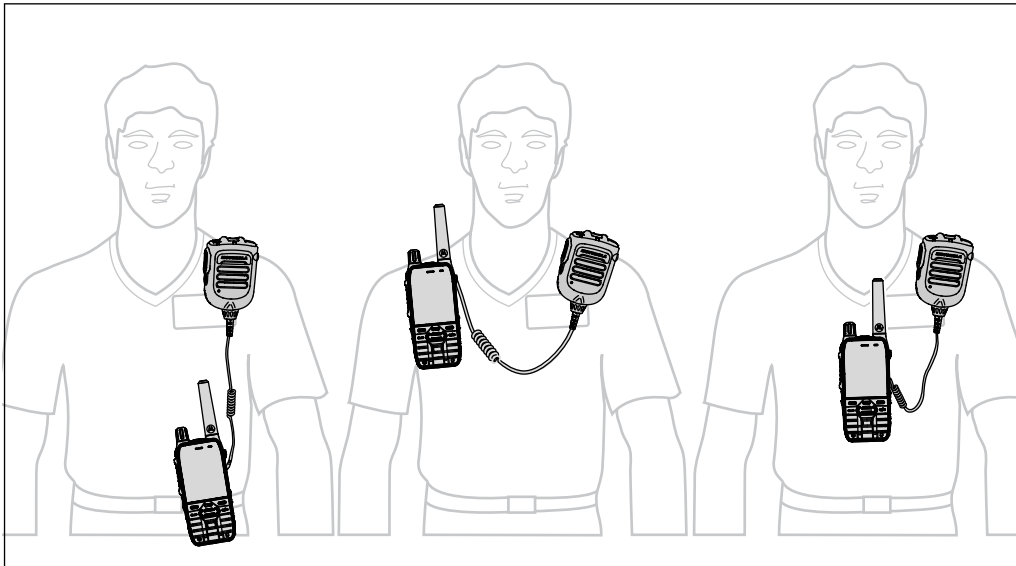


Figure 9 : RSM avec câble court



REMARQUE :

La position de port recommandée de la radio sur la boutonnière est uniquement pour les radios légères.

5.6

Gestion des câbles

Cette section décrit la position recommandée du câble.

Figure 10 : Recommandé

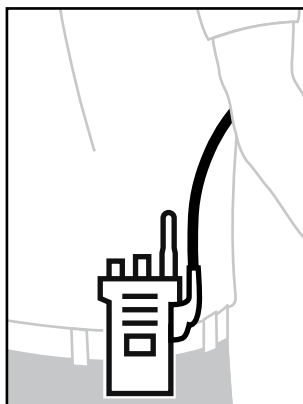
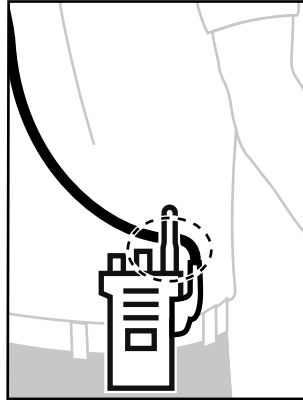


Figure 11 : Non recommandé



Pour assurer une portée et une expérience utilisateur optimales, il est recommandé d'éviter de croiser un câble d'accessoire avec l'antenne de la radio.

Chapitre 6

Interface Nexus RSM NS750

Cette section décrit l'interface Nexus RSM lorsqu'elle est connectée à différents types d'accessoires audio secondaires Nexus.

Figure 12 : Fiche Nexus

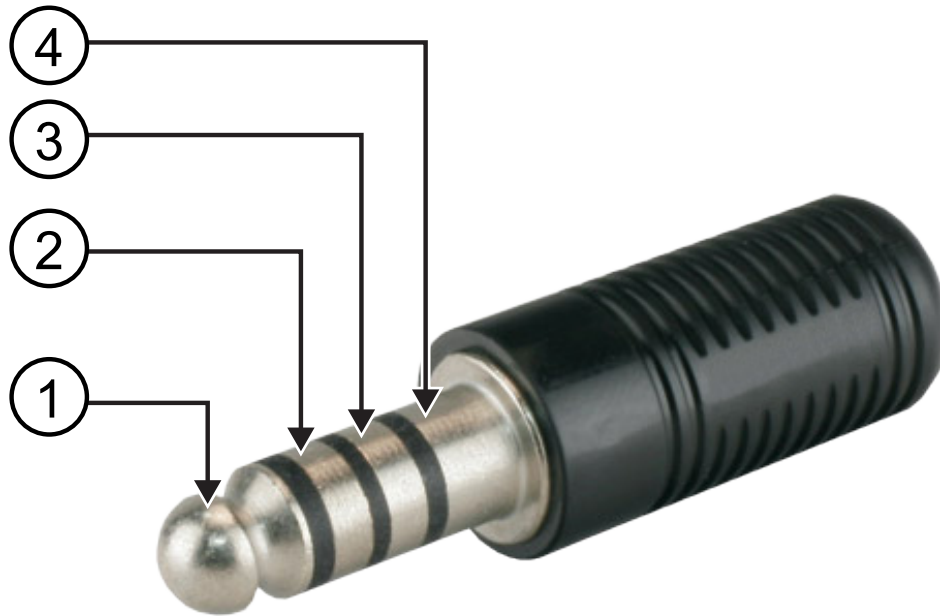


Tableau 6 : Fiche Nexus

Annotation	Description de fiche Nexus
1	Pointe (broche 1)
2	Anneau 1 (broche 2)
3	Anneau 2 (broche 3)
4	Manchon (broche 4)

Tableau 7 : Interface Nexus RSM NS750

Paramètre	Valeur
Microphone Electret + processeur DSP	

Paramètre	Valeur	
Chemin	Chemin 1	
Impédance du microphone	Ouvert	
Tension de détection du microphone (broche 2 à broche 1 par rapport à la tension de référence (1,1 V))	Tension supérieure à la tension de référence à la broche 2	
Broche de sortie	Attribution de la broche de sortie	Remarques
Broche 1	GND (MISE À LA TERRE)	GND (MISE À LA TERRE)
Broche 2	Microphone+	>1,1 V (supérieure à la tension de référence)
Broche 3	Non connecté	Sans objet (s.o.)
Broche 4	Haut-parleur à une extrémité	Audio à une extrémité
Gain du microphone dans RSM	+6 dB	
Proposer un microphone Sensibilité des composants	Microphone Electret avec processeur DSP	
Impédance du haut-parleur	Fournisseur à déterminer	
Sécurité audio recommandée par Motorola Solutions	≈ <118 dB SPL (maximum)	
Microphone Electret		
Chemin	Chemin 2	
Impédance du microphone	≈ <1 kΩ	
Tension de détection du microphone (broche 2 à broche 1 par rapport à la tension de référence (1,1 V))	Tension inférieure à la tension de référence à la broche 2	
Broche de sortie	Attribution de la broche de sortie	Remarques
Broche 1	GND (MISE À LA TERRE)	GND (MISE À LA TERRE)
Broche 2	Microphone+	<1,1 V (inférieure à la tension de référence)
Broche 3	Haut-parleur+	Audio équilibré
Broche 4	Haut-parleur-	
Gain du microphone dans RSM	+22 dB	
Proposer un microphone Sensibilité des composants	Microphone Electret (≈ -60 dB p/r à 1 V/Pa)	
Impédance du haut-parleur	Fournisseur à déterminer	
Sécurité audio recommandée par Motorola Solutions	≈ <118 dB SPL (maximum)	
Conduction osseuse/accéléromètre		

Paramètre	Valeur	
Chemin	Chemin 3	
Impédance du microphone	≈ <1 kΩ	
Tension de détection du microphone (broche 3 à broche 1 par rapport à la tension de référence (1,1 V))	Tension inférieure à la tension de référence à la broche 3	
Broche de sortie	Attribution de la broche de sortie	Remarques
Broche 1	GND (MISE À LA TERRE)	GND (MISE À LA TERRE)
Broche 2	Non connecté	Sans objet (s.o.)
Broche 3	Conduction osseuse Microphone	<1,1 V (inférieure à la tension de référence)
Broche 4	Haut-parleur à une extrémité	Audio à une extrémité
Gain du microphone dans RSM	+29 dB	
Proposer un microphone Sensibilité des composants	Microphone à impédance sensible aux vibrations	
Impédance du haut-parleur	Fournisseur à déterminer	
Sécurité audio recommandée par Motorola Solutions	≈ <118 dB SPL (maximum)	

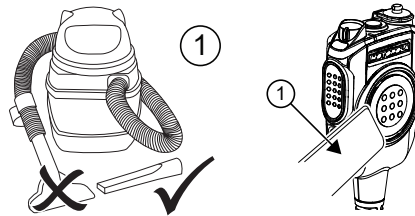
Chapitre 7

Procédures de nettoyage

Cette section fournit des informations sur les procédures de nettoyage du microphone haut-parleur distant (RSM)

Étape facultative pour les environnements à taux de débris élevé

Passer l'aspirateur sur la surface avant du RSM avant le nettoyage général.



AVERTISSEMENT :

Les éléments suivants annulent la garantie :

- Utilisation d'un aspirateur de plus de 4 hp/3 kW.
- Toute autre buse qu'un suceur plat.
- Toute autre méthode de nettoyage.

7.1

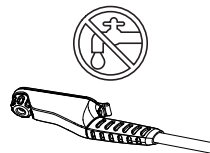
Procédure de nettoyage

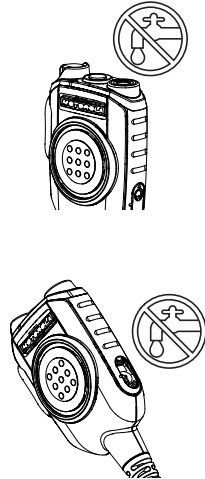
Où et quand utiliser :



AVERTISSEMENT :

- Assurez-vous que le connecteur ne soit pas mouillé.
- Ne laissez pas d'eau entrer dans la prise audio ou dans la prise Nexus.
- Couvrez la prise audio ou la prise Nexus avec le cache-poussière lorsqu'aucun écouteur n'est branché.
- Si de l'eau pénètre dans la prise audio ou la prise Nexus, retirez l'eau en secouant le microphone haut-parleur distant (RSM).



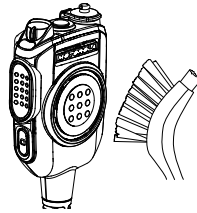


AVERTISSEMENT :

Utilisez uniquement du détergent liquide pour vaisselle et de l'eau. L'utilisation d'autres produits de nettoyage pourrait endommager de façon permanente le boîtier du RSM et annulera la garantie. Ne laissez pas tremper pendant plus de 30 minutes.

Procédure :

- 1 Diluez une cuillère à thé de détergent doux pour la vaisselle dans environ quatre litres d'eau (solution à 0,5 %).
- 2 Appliquez la solution légèrement avec une brosse rigide en nylon à poil court.



AVERTISSEMENT :

Ne laissez pas les poils pénétrer dans les ports du haut-parleur ou du microphone, ce qui pourrait causer des dommages internes et annuler la garantie.

- 3 Rincez à fond le RSM à l'eau froide, puis asséchez-le complètement à l'aide d'un chiffon doux non pelucheux.
- 4 Maintenez la surface du RSM vers le bas et agitez-le doucement à quelques reprises afin d'éjecter l'eau qui pourrait se trouver sous les ouvertures du haut-parleur ou des ports du microphone.

7.2

Procédures de désinfection et de décontamination

Motorola Solutions fournit des directives de nettoyage et de désinfection recommandées pour votre microphone haut-parleur distant, selon la plus récente définition de l'hygiène des microphones haut-parleurs distants.

Conformément aux autorités sanitaires mondiales, l'élimination des germes, de la saleté et des impuretés des surfaces réduit le risque de propagation des infections. Les désinfectants et les décontaminants suivants peuvent être utilisés pour désinfecter votre microphone haut-parleur distant :

- Lingettes de décontamination Dewipe

Chapitre 8

Service et garantie

Motorola Solutions offre une garantie standard d'un an. Pour de plus amples renseignements sur la garantie standard, communiquez avec votre détaillant Motorola Solutions.

Pour en savoir plus

Communiquez avec le détaillant autorisé Motorola Solutions ou visitez le site www.motorolasolutions.com.



Micrófono con altavoz remoto omnidireccional IMPRES™ NS750, PMMN4150 y PMMN4151

JULIO 2023

© 2023 Motorola Solutions, Inc. All rights reserved



MN009167A01-AE

Información sobre seguridad y aspectos legales

Esta sección contiene información sobre seguridad y los aspectos legales de este producto.

Propiedad intelectual y avisos normativos

Derechos de autor

Entre los productos de Motorola Solutions que se describen en esta documentación, se pueden incluir programas informáticos de Motorola Solutions que están protegidos por derechos de autor. Las leyes de Estados Unidos y de otros países preservan para Motorola Solutions ciertos derechos exclusivos sobre los programas informáticos protegidos por derechos de autor. Del mismo modo, los programas informáticos protegidos por derechos de autor de Motorola Solutions incluidos en los productos de Motorola Solutions descritos en esta guía no se podrán copiar ni reproducir de ninguna forma sin el expreso consentimiento por escrito de Motorola Solutions.

Ninguna parte de este documento se puede reproducir, transmitir, almacenar en un sistema recuperable ni traducir a ningún idioma ni lenguaje informático, de ninguna forma ni por ningún medio, sin la autorización expresa por escrito de Motorola Solutions, Inc.

Marcas comerciales

MOTOROLA, MOTO, MOTOROLA SOLUTIONS y el logotipo de la M estilizada son marcas comerciales o marcas comerciales registradas de Motorola Trademark Holdings, LLC y se utilizan de conformidad con la licencia. Todas las demás marcas comerciales pertenecen a sus respectivos propietarios.

Derechos de licencia

No se considerará que la compra de productos de Motorola Solutions otorgue, en forma directa, implícita, por exclusión ni de ningún otro modo, una licencia sobre los derechos de autor, las patentes o las solicitudes de patentes de Motorola Solutions, excepto la licencia normal, no exclusiva y libre de regalías de uso que surge por efecto de la ley de la venta de un producto.

Contenido de código abierto

Este producto puede contener un software de código abierto utilizado de conformidad con la licencia. Consulte los medios de instalación del producto para obtener el contenido completo de atribución y avisos legales de código abierto.

Directiva de Residuos de Aparatos Eléctricos y Electrónicos (RAEE) de la Unión Europea (UE) y el Reino Unido (RU)



En la directiva de RAEE de la Unión Europea y el Reino Unido se exige que los productos que se venden en los países de la UE y en el Reino Unido tengan la etiqueta de un bote de basura tachado sobre el producto (o en el paquete en algunos casos). Como se define en la directiva de RAEE, esta etiqueta con un bote de basura tachado indica que los clientes y los usuarios finales en los países de la UE y el Reino Unido no deben desechar equipos ni accesorios eléctricos y electrónicos en la basura doméstica.

Los clientes o los usuarios finales en los países de la UE y en el Reino Unido deben comunicarse con su representante distribuidor de equipos o centro de servicio locales para obtener información acerca del sistema de recolección de residuos de su país.

Exención de responsabilidad

Tenga en cuenta que determinadas funciones, características y capacidades que se describen en este documento podrían no ser aplicables o no tener licencia para su uso en un sistema específico, o bien pueden ser dependientes de las características de una unidad de suscriptor móvil específico o la configuración de ciertos parámetros. Comuníquese con un representante de Motorola Solutions para obtener más información.

© 2023 Motorola Solutions, Inc. Todos los derechos reservados.

Guía de seguridad del producto y la exposición a energía de radiofrecuencia de los radios portátiles de dos vías

PRECAUCIÓN:

Antes de usar este accesorio, lea esta guía que contiene instrucciones de funcionamiento importantes para un uso seguro del dispositivo e información acerca del conocimiento y el control de la energía de radiofrecuencia a fin de cumplir con las normas y regulaciones correspondientes.

Cuando el micrófono con altavoz remoto (RSM) se conecta al radio, queda restringido solo a uso ocupacional a fin de cumplir los requerimientos de exposición a la energía de radiofrecuencia de FCC/ICNIRP. Antes de usar este producto, lea la información acerca del conocimiento de la energía de radiofrecuencia y las instrucciones de uso en el Folleto de seguridad del producto y la exposición a radiofrecuencia, que se incluye con el radio, para garantizar el cumplimiento de los límites de exposición a la energía de radiofrecuencia.

Para obtener información sobre la compatibilidad del radio, consulte [Compatibilidad con radios en la página 9](#).

Protección acústica

La exposición a ruidos fuertes de cualquier fuente durante períodos prolongados podría afectar la audición de manera temporal o permanente. Cuanto más alto esté el volumen del radio, más rápido se verá afectada la audición. En ocasiones, el daño a la audición provocado por ruidos fuertes es indetectable en un principio y puede tener efecto acumulativo. Para proteger la audición, realice las siguientes acciones:

- Utilice el volumen más bajo que necesite para hacer su trabajo.
- Aumente el volumen solo si se encuentra en un ambiente ruidoso.
- Reduzca el volumen antes de usar los auriculares o los audífonos.
- Restrinja el tiempo durante el cual usa los auriculares o los audífonos con un volumen alto.
- Cuando use el radio sin los auriculares o audífonos, no ponga el altavoz del radio directamente en la oreja.
- Si experimenta molestias para escuchar o zumbido en los oídos, o no escucha bien cuando le hablan, debe dejar de escuchar el radio a través del audífono o auricular y pedirle a un médico que examine su audición. Para cambiar el nivel de volumen, consulte el Folleto de seguridad del producto de radio o el Software de programación del cliente (CPS) a fin de obtener información sobre la configuración del kit de vigilancia con volumen extrafuerte (xL).

Marcas de certificación



Dirección de contacto

Contacto de la Unión Europea

Motorola Solutions,
Czerwone Maki 82,
30-392 Cracovia, Polonia

Contacto del Reino Unido

Motorola Solutions UK Ltd.,
Nova South, 160 Victoria Street,
Londres, SW1E 5LB,
Reino Unido

Comuníquese con nosotros

El equipo de Operaciones centralizadas de soporte administrado (CMSO) es el principal contacto para solicitar la asistencia técnica incluida en el contrato de servicio de su organización con Motorola Solutions.

Los clientes con contrato de servicio deben llamar a CMSO en todas las situaciones que se mencionan en la sección "Responsabilidades del cliente" de su contrato, por ejemplo:

- Para confirmar los resultados y el análisis de la solución de problemas antes de tomar medidas.

Su organización recibió números telefónicos de asistencia y otros datos de contacto de acuerdo con su región geográfica y contrato de servicio. Use esa información de contacto para obtener una respuesta más eficaz. Sin embargo, si es necesario, también puede encontrar información de contacto de asistencia general en el sitio web de Motorola Solutions si sigue estos pasos:

- 1 Ingrese a motorolasolutions.com en su navegador.
- 2 Asegúrese de que el país o la región de su organización aparezcan en la página. Haga clic en el nombre de la región o presiónela para cambiarla.
- 3 Seleccione "Soporte" en la página motorolasolutions.com.

Comentarios

Envíe preguntas y comentarios acerca de la documentación del usuario a documentation@motorolasolutions.com.

Proporcione la siguiente información cuando informe sobre un error de documentación:

- El título del documento y el número de pieza.
- El número de página o el título de la sección que contiene el error.
- Una descripción del error.

Motorola Solutions ofrece diversos cursos diseñados para ayudar a conocer el sistema. Para obtener información, vaya a <https://learning.motorolasolutions.com> a fin de ver las ofertas de cursos actuales y las rutas tecnológicas.

Convenciones de íconos

El conjunto de documentación está diseñado para proporcionarle al lector indicaciones visuales adicionales. Los siguientes íconos gráficos se usan en todo el conjunto de documentación.



PELIGRO:

La palabra de señal PELIGRO con el ícono de protección asociado indica información que, si se ignora, provocará la muerte o heridas graves.



ADVERTENCIA:

La palabra de señal ADVERTENCIA con el ícono de protección asociado indica información que, si se ignora, puede provocar la muerte, heridas graves o un daño grave al producto.



PRECAUCIÓN:

La palabra de señal PRECAUCIÓN con el ícono de protección asociado indica información que, si se ignora, podría provocar heridas leves o moderadas, o un daño grave al producto.

PRECAUCIÓN:

La palabra de señal PRECAUCIÓN puede usarse sin el ícono de protección para indicar posibles daños o heridas no relacionados con el producto.



IMPORTANTE:

Las declaraciones identificadas con la palabra IMPORTANTE contienen información que es fundamental para el tema tratado, pero que no se considera una PRECAUCIÓN ni una ADVERTENCIA. No hay ningún nivel de advertencia asociado con la declaración IMPORTANTE.



NOTA:

El AVISO contiene información más importante que el texto circundante, como excepciones o condiciones previas. En los avisos, también se dirige al lector a información adicional, se le recuerda cómo completar una acción (por ejemplo, cuando no es parte del procedimiento actual) o se le indica dónde está algo en la pantalla. No hay ningún nivel de advertencia asociado con un aviso.

Contenido

Información sobre seguridad y aspectos legales.....	2
Propiedad intelectual y avisos normativos.....	2
Guía de seguridad del producto y la exposición a energía de radiofrecuencia de los radios portátiles de dos vías.....	3
Protección acústica.....	3
Conformity Markings.....	4
Dirección de contacto.....	4
Comuníquese con nosotros.....	5
Convenciones de íconos.....	6
Capítulo 1: Descripción general del micrófono con altavoz remoto.....	8
1.1 Compatibilidad con radios.....	9
1.2 Accesorios aprobados.....	9
1.3 Piezas de repuesto.....	9
Capítulo 2: Priorización de enrutamiento de audio.....	11
2.1 Alarma de recordatorio de cambio de audio.....	11
Capítulo 3: Instrucciones de funcionamiento.....	12
3.1 Conexión y desconexión del micrófono con altavoz remoto (RSM).....	12
Capítulo 4: Configuración recomendada del radio.....	13
Capítulo 5: Prácticas recomendadas.....	14
5.1 Recepción del micrófono con altavoz remoto (RSM).....	14
5.2 Transmisión del micrófono con altavoz remoto (RSM).....	14
5.3 Uso del conector de audio.....	15
5.3.1 Apertura y cierre de la cubierta del conector de audio.....	15
5.3.2 Inserción y extracción del conector de audio.....	16
5.4 Conector Nexus.....	16
5.5 Posiciones de uso recomendadas.....	17
5.6 Administración de cables.....	18
Capítulo 6: Interfaz del RSM Nexus NS750.....	20
Capítulo 7: Procedimientos de limpieza.....	23
7.1 Procedimiento de limpieza.....	23
7.2 Procedimientos de descontaminación y desinfección.....	24
Capítulo 8: Servicio y garantía.....	25

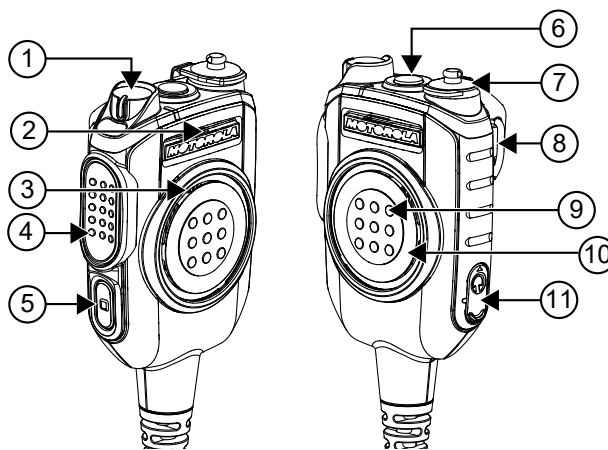
Capítulo 1

Descripción general del micrófono con altavoz remoto

Este manual se aplica a los siguientes micrófonos con altavoz remoto (RSM):

- PMMN4150: micrófono con altavoz remoto omnidireccional IMPRES™ NS750 (con cable largo)
- PMMN4151: micrófono con altavoz remoto omnidireccional IMPRES™ NS750 (con cable corto)

Figura 1: Descripción general de RSM



Elemento	Descripción
1	Perilla de cambio de audio
2	Micrófono omnidireccional
3	Altavoz
4	Botón Push-to-Talk (PTT) lateral
5	Botón programable con 1 punto
6	Botón naranja para accesorios
7	Conector Nexus
8	Clip para cinturón
9	Botón PTT frontal
10	Colocación de la etiqueta de la paleta del PTT frontal
11	Conector de audio de 3,5 mm ¹

¹ Conector de audio de 3,5 mm compatible solo con el kit PMLN7188_

1.1

Compatibilidad con radios

Los siguientes radios son compatibles con el micrófono con altavoz remoto (RSM):

- MOTOTRBO R7: requiere el firmware R02.22.03.1001 y versiones posteriores
- MXP600: requiere el firmware R55.XX0.9840 y versiones posteriores

1.2

Accesorios aprobados

En esta sección, se proporciona la lista de accesorios aprobados que se utilizarán con el micrófono con altavoz remoto (RSM).

Auricular

Mesa 1: Auricular

Número de pieza	Descripción
PMLN7188_	Auricular de solo recepción ATEX de 3,5 mm con tubo translúcido

Accesorios de audio Nexus

Mesa 2: Accesorios de audio Nexus

Número de pieza	Descripción
GMMN4585_ ^{2, 3}	Comunicación para cascos Savoz HC-1
GMMN4584_ ^{2, 3}	Comunicación para cascos Savoz HC-2
PMLN8265_ ^{2, 3}	Auriculares de diadema con Nexus
PMLN8266_ ^{2, 3}	Auriculares con banda para el cuello con Nexus
PMLN8267_ ^{2, 3}	Auriculares de casco con Nexus

No se garantiza el rendimiento de audio de otros accesorios de conexión Nexus que estén conectados al RSM, ya que no se ha comprobado su compatibilidad. Para obtener un rendimiento óptimo, coloque el cable de accesorios Nexus lejos de la antena del radio.

1.3

Piezas de repuesto

El RSM no se puede reparar. Los siguientes accesorios opcionales y las piezas de repuesto están disponibles para pedirlos a Motorola Solutions.

Mesa 3: Piezas de repuesto

Número de pieza	Descripción
0104068J78_	Pinza para cinturón

² Los accesorios de audio Nexus no tienen aprobación UL.

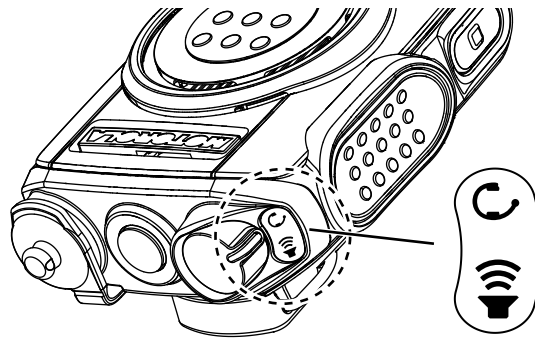
³ El nivel del sistema no es UL cuando se utiliza con el RSM.

Número de pieza	Descripción
PMLN8464_	Etiqueta de la paleta del PTT frontal de repuesto (verde)
PMLN8465_	Etiqueta de la paleta del PTT frontal de repuesto (azul)
PMLN8466_	Etiqueta de la paleta del PTT frontal de repuesto (roja)
PMLN8468_	Etiqueta de la paleta del PTT frontal de repuesto (amarilla)
PMLN8469_	Etiqueta de la paleta del PTT frontal de repuesto (plata)
PMLN8523_	Etiqueta de la paleta del PTT frontal de repuesto (naranja)

Capítulo 2

Priorización de enrutamiento de audio

Figura 2: Enrutamiento de audio



Mesa 4: Priorización de enrutamiento de audio

Alternar modo	Configuración	Enrutamiento de transmisión (Tx)	Enrutamiento de recepción (Rx)
 RSM o con conector SAA	RSM solo	RSM	RSM
	RSM con SAA Nexus	SAA Nexus	SAA Nexus
	RSM con SAA de 3,5 mm + SAA Nexus	SAA Nexus	SAA Nexus
	RSM con SAA de 3,5 mm	RSM	SAA de 3,5 mm
 RSM únicamente	RSM solo	RSM	RSM
	RSM con SAA Nexus	RSM	RSM
	RSM con SAA de 3,5 mm + SAA Nexus	RSM	RSM
	RSM con SAA de 3,5 mm	RSM	RSM

2.1

Alarma de recordatorio de cambio de audio

En esta sección, se proporciona información sobre la alarma de recordatorio de cambio de audio.

En los accesorios Nexus conectados, se escucha una alarma sonora pulsante cuando se cambia el enrutamiento de audio al modo .

Como parte de la función de protección para evitar el cambio de audio erróneo u olvidado, la alarma audible siempre está activada. Se recomienda cambiar el audio al modo cuando use el accesorio Nexus para su funcionamiento.

Capítulo 3

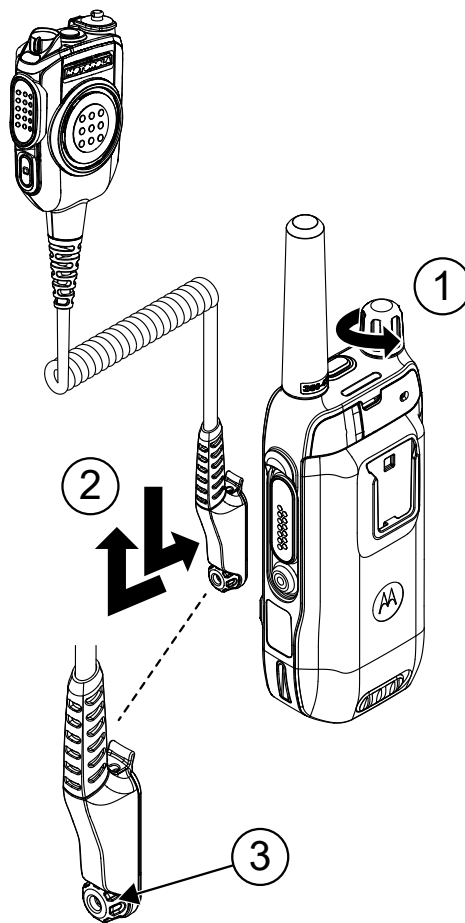
Instrucciones de funcionamiento

En esta sección, se proporcionan pautas sobre cómo utilizar el micrófono con altavoz remoto.

3.1

Conexión y desconexión del micrófono con altavoz remoto (RSM)

Cuándo y dónde se utilizan:



Elemento	Descripción
1	Apague el radio.
2	Apriete o afloje el tornillo para conectar o desconectar el RSM del radio.
3	Tornillo de ajuste manual

Capítulo 4

Configuración recomendada del radio



NOTA:

Solo se aplica a los radios MOTOTRBO R7.

Main Menu→**Utilities**→**Radio Settings**

Mesa 5: Configuración del radio

Configuración del radio	Configuración recomendada
Supresor de AF	Activado
Preferencias de audio	Predeterminado
Audio inteligente	Activado
AGC-D del micrófono	Activado
Supresor de ruido	Activado
Transmisión directa	Activado

Capítulo 5

Prácticas recomendadas

En esta sección, se proporciona información sobre las prácticas recomendadas con respecto al micrófono con altavoz remoto (RSM).

5.1

Recepción del micrófono con altavoz remoto (RSM)

Procedimiento:

Consulte [Priorización de enrutamiento de audio en la página 11](#) para obtener más información.

Figura 3: Recepción del RSM



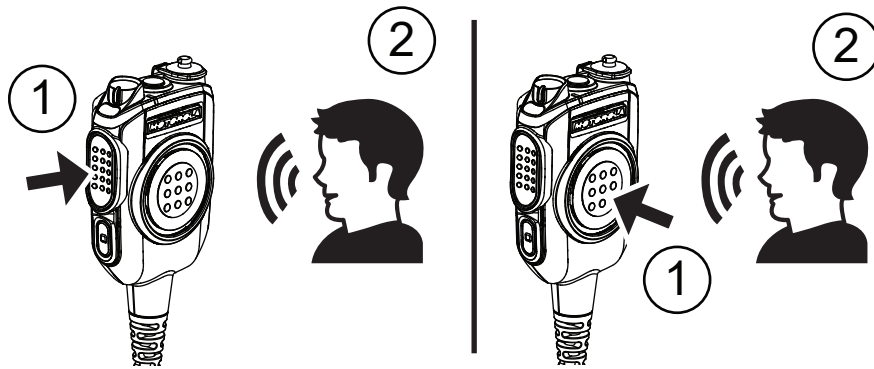
5.2

Transmisión del micrófono con altavoz remoto (RSM)

Procedimiento:

- 1 Mantenga presionado el botón PTT.
- 2 Hable cerca del micrófono para obtener el mejor rendimiento de inteligibilidad.

Figura 4: Transmisión del RSM



5.3

Uso del conector de audio

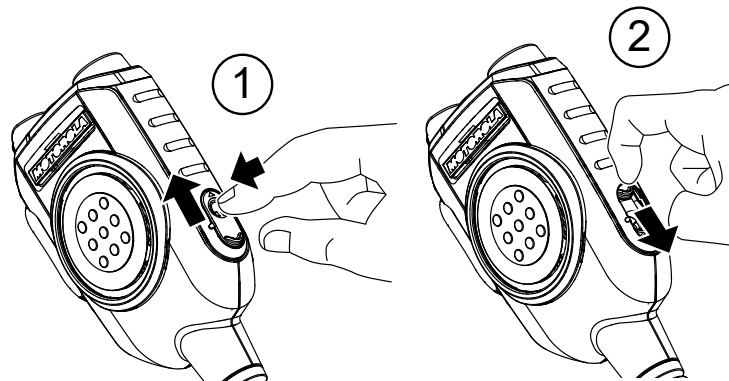
En esta sección, se proporciona información sobre las prácticas recomendadas con respecto al conector de audio.

- Limpie o quite cualquier material extraño del conector de audio antes de utilizarlo.
- Cubra siempre el conector de audio con la cubierta antipolvo cuando no esté conectado.

5.3.1

Apertura y cierre de la cubierta del conector de audio

Cuándo y dónde se utilizan:



Elemento	Descripción
1	Empuje y deslice la cubierta

Elemento	Descripción
2	Deslice la cubierta

5.3.2

Inserción y extracción del conector de audio

Cuándo y dónde se utilizan:

Figura 5: Conexión del conector de audio

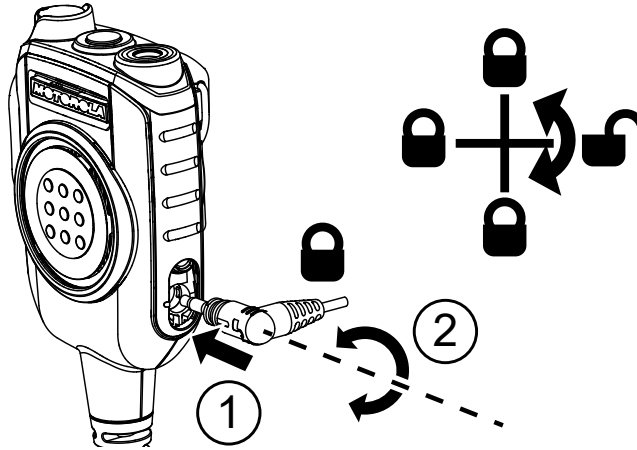
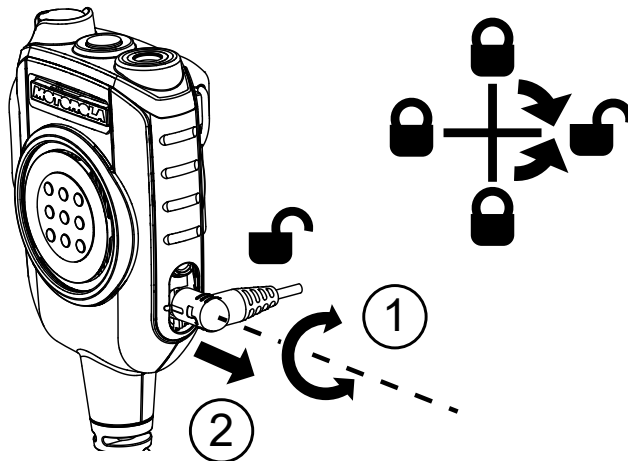


Figura 6: Desconexión del conector de audio



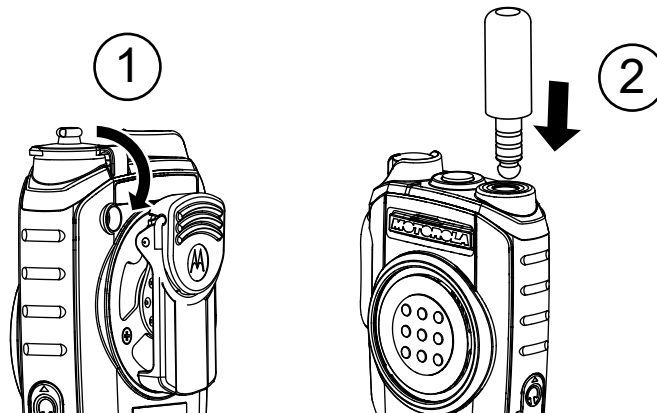
5.4

Conector Nexus

En esta sección, se proporciona información sobre las prácticas recomendadas para el conector Nexus

- Limpie o quite cualquier material extraño del conector antes de utilizarlo.
- Cubra siempre el conector Nexus con la cubierta antipolvo cuando no esté conectado.

Figura 7: Conexión del conector Nexus



NOTA:

Se recomienda apagar el radio antes de conectar o desconectar los accesorios Nexus.

5.5

Posiciones de uso recomendadas

En esta sección, se describe la posición de uso recomendada del micrófono con altavoz remoto (RSM).

Figura 8: RSM con cable largo

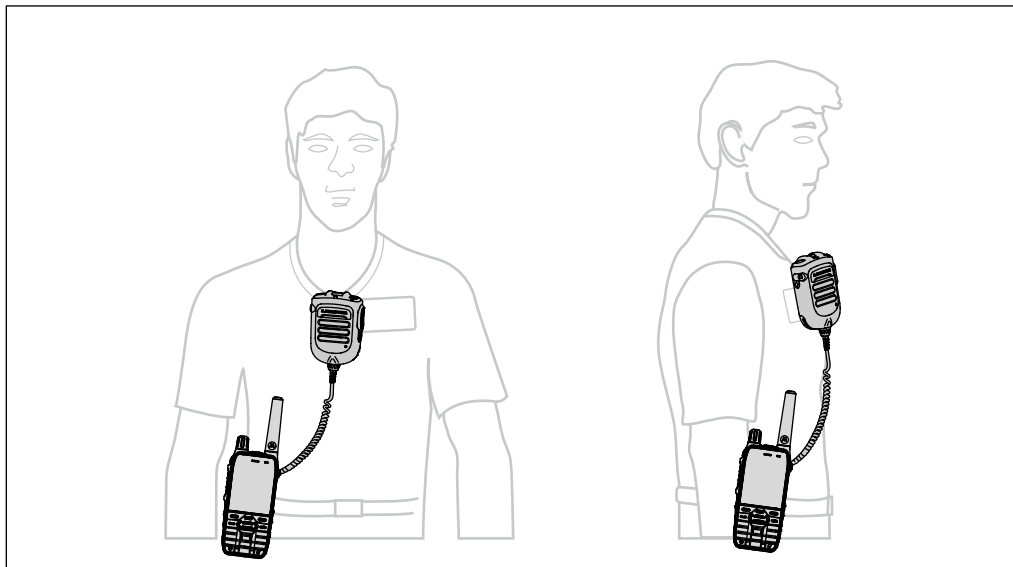
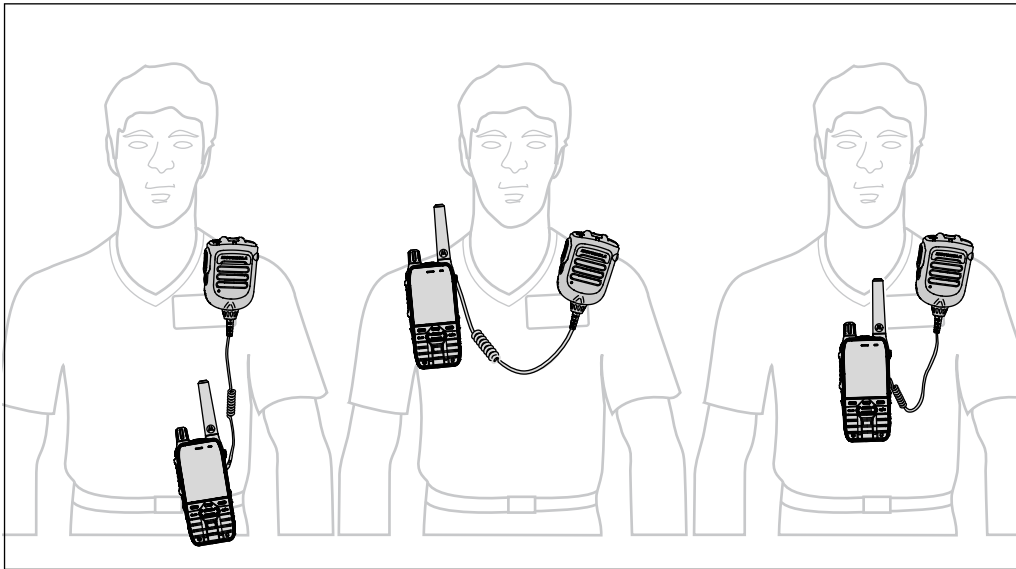


Figura 9: RSM con cable corto



NOTA:

La posición de uso recomendada del radio en la solapa es solo para un radio ligero.

5.6

Administración de cables

En esta sección, se describe la posición recomendada del cable.

Figura 10: Recomendada

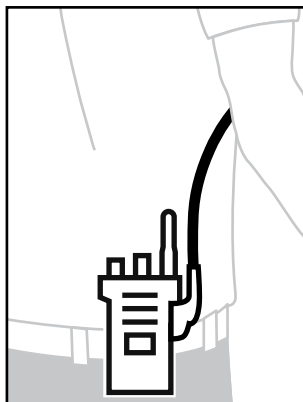
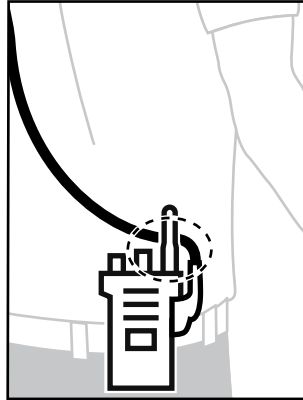


Figura 11: No recomendada



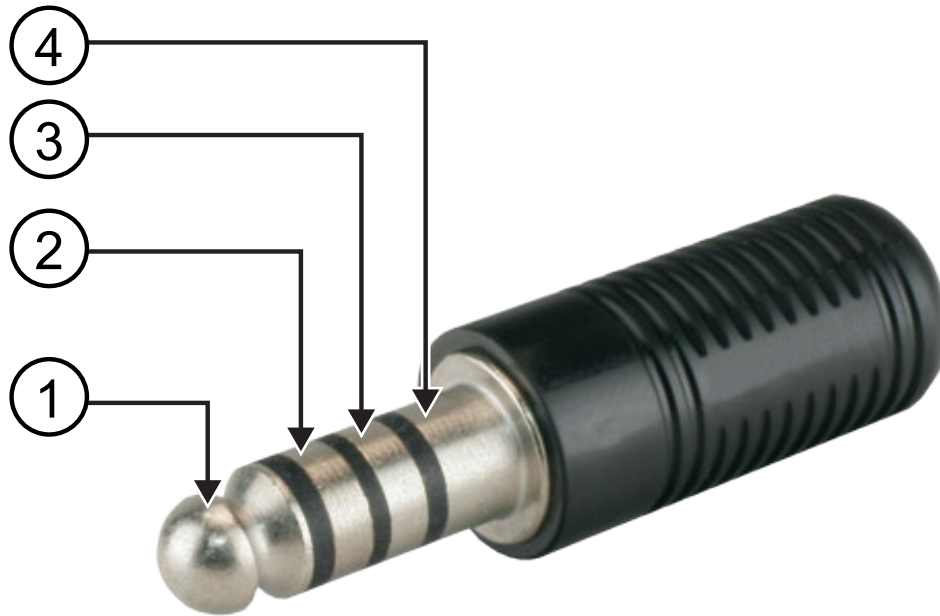
Para garantizar un alcance y una experiencia de usuario óptimos, se recomienda evitar cruzar el cable accesorio con la antena del radio.

Capítulo 6

Interfaz del RSM Nexus NS750

En esta sección, se muestra la descripción de la interfaz del RSM Nexus cuando se conecta a diferentes tipos de accesorios Nexus de audio secundario.

Figura 12: Conector Nexus



Mesa 6: Conector Nexus

Anotación	Descripción del conector Nexus
1	Punta (pin 1)
2	Anillo 1 (pin 2)
3	Anillo 2 (pin 3)
4	Funda (pin 4)

Mesa 7: Interfaz del RSM Nexus NS750

Parámetro	Valor
Micrófono de electreto y procesador DSP	

Parámetro	Valor	
Ruta	Ruta 1	
Impedancia del micrófono	Abierta	
Voltaje de detección del micrófono (pin 2 a pin 1 en comparación con la referencia de voltaje [1,1 V])	Superior a la referencia de voltaje en el pin 2	
Salida de pin	Asignación de salida de pin	Comentarios
Pin 1	GND	GND
Pin 2	Micrófono+	>1,1 V (superior a la referencia de voltaje)
Pin 3	No conectado	No aplica (NA)
Pin 4	Altavoz de un solo extremo	Audio de un solo extremo
Ganancia del micrófono en RSM	+6 dB	
Proponer sensibilidad de componente del micrófono	Micrófono de electreto con procesador DSP	
Impedancia del altavoz	La debe determinar el proveedor	
Protección de audio recomendada por Motorola Solutions	≈<118 dBSPL (máximo)	
Micrófono de electreto		
Ruta	Ruta 2	
Impedancia del micrófono	≈<1 kΩ	
Voltaje de detección del micrófono (pin 2 a pin 1 en comparación con la referencia de voltaje [1,1 V])	Inferior a la referencia de voltaje en el pin 2	
Salida de pin	Asignación de salida de pin	Comentarios
Pin 1	GND	GND
Pin 2	Micrófono+	<1,1 V (inferior a la referencia de voltaje)
Pin 3	Altavoz +	Audio equilibrado
Pin 4	Altavoz -	
Ganancia del micrófono en RSM	+22 dB	
Proponer sensibilidad de componente del micrófono	Micrófono de electreto (≈ -60 dB relativo a 1 V/Pa)	
Impedancia del altavoz	La debe determinar el proveedor	

Parámetro	Valor	
Protección de audio recomendada por Motorola Solutions	≈<118 dBSPL (máximo)	
Conducción ósea/acelerómetro		
Ruta	Ruta 3	
Impedancia del micrófono	≈<1 kΩ	
Voltaje de detección del micrófono (pin 3 a pin 1 en comparación con la referencia de voltaje [1,1 V])	Inferior a la referencia de voltaje en el pin 3	
Salida de pin	Asignación de salida de pin	Comentarios
Pin 1	GND	GND
Pin 2	No conectado	No aplica (NA)
Pin 3	Conducción ósea Micrófono	<1,1 V (inferior a la referencia de voltaje)
Pin 4	Altavoz de un solo extremo	Audio de un solo extremo
Ganancia del micrófono en RSM	+29 dB	
Proponer sensibilidad de componente del micrófono	Micrófono con impedancia sensible a la vibración	
Impedancia del altavoz	La debe determinar el proveedor	
Protección de audio recomendada por Motorola Solutions	≈<118 dBSPL (máximo)	

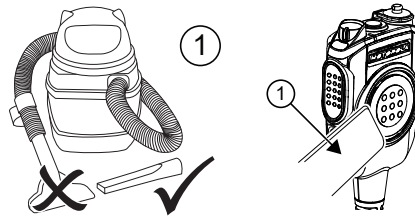
Capítulo 7

Procedimientos de limpieza

En esta sección, se proporciona información sobre los procedimientos de limpieza del micrófono con altavoz remoto (RSM)

Paso opcional para ambientes con gran cantidad de residuos

Aspire la superficie frontal del RSM antes de realizar una limpieza general.



ADVERTENCIA:

Lo siguiente anula la garantía:

- Uso de más de 4 HP/3 kW de vacío.
- Uso de cualquier boquilla que no sea una estrecha.
- Uso de cualquier otro método de limpieza.

7.1

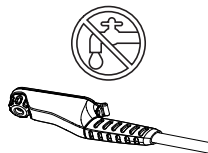
Procedimiento de limpieza

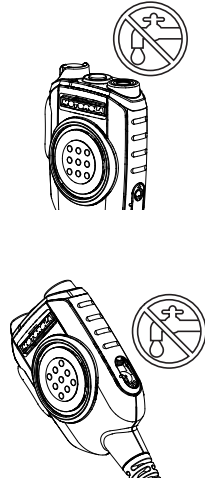
Cuándo y dónde se utilizan:



ADVERTENCIA:

- Asegúrese de que el conector no se moje.
- No ponga el conector Nexus ni en el conector de audio en contacto con el agua.
- Cubra el conector Nexus o el conector de audio con la cubierta antipolvo cuando no esté conectado a un auricular.
- Si al conector Nexus o al conector de audio les entra agua, agite el micrófono con altavoz remoto (RSM) para retirarla.



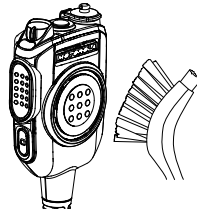


ADVERTENCIA:

Solo debe utilizar agua y jabón para platos. Otras soluciones de limpieza pueden dañar permanentemente la carcasa del RSM, y esto podría anular la garantía. No remoje por más de 30 minutos.

Procedimiento:

- 1 Mezcle una cucharadita de detergente suave para lavar platos en 4 litros (un galón) de agua (solución al 0,5 %).
- 2 Aplique la solución de forma moderada con un cepillo rígido de nailon y cerdas cortas.



ADVERTENCIA:

No permita que las cerdas entren en las zonas del altavoz o del micrófono, ya que pueden causar daños internos y anularán la garantía.

- 3 Enjuague completamente el RSM con agua fría y séquelo bien con un trapo seco libre de pelusa.
- 4 Sostenga el RSM con la superficie frontal hacia abajo y agítelo ligeramente unas cuantas veces para quitar el agua que pueda haber quedado debajo de las aberturas del altavoz o de los puertos del micrófono.

7.2

Procedimientos de descontaminación y desinfección

Motorola Solutions proporciona las pautas recomendadas de limpieza y desinfección para sus RSM, en función de la mejor comprensión actual de la higiene del RSM.

Según las autoridades de salud a nivel mundial, eliminar los gérmenes, la suciedad y las impurezas de las superficies disminuye el riesgo de propagar infecciones. Puede utilizar los siguientes desinfectantes para limpiar el RSM:

- Paños desechables para descontaminación

Capítulo 8

Servicio y garantía

Motorola Solutions ofrece una garantía estándar de un año. Comuníquese con su distribuidor de Motorola Solutions para obtener más información sobre la garantía estándar.

Para obtener más información

Comuníquese con un distribuidor autorizado de Motorola Solutions o visítenos en el sitio web www.motorolasolutions.com.



Microfone alto-falante remoto omnidirecional PMMN4150 e PMMN4151 NS750 IMPRESTM

JULHO 2023

© 2023 Motorola Solutions, Inc. All rights reserved



MN009167A01-AE

Informações jurídicas e de segurança

Esta seção traz informações jurídicas e de segurança relacionadas a este produto.

Propriedade intelectual e comunicados regulatórios

Direitos autorais

Os produtos da Motorola Solutions descritos neste documento podem incluir programas de computador da Motorola Solutions protegidos por direitos autorais. As leis dos Estados Unidos e de outros países garantem determinados direitos exclusivos da Motorola Solutions que envolvem programas de computador protegidos por direitos autorais. Sendo assim, nenhum programa de computador protegido por direitos autorais da Motorola Solutions incluído nos produtos da Motorola Solutions descritos neste documento pode ser copiado ou reproduzido, de qualquer forma, sem permissão expressa por escrito da Motorola Solutions.

Nenhuma parte deste documento pode ser reproduzida, transmitida, armazenada em sistema de recuperação ou traduzida para qualquer idioma ou linguagem de computador, de forma nenhuma nem por nenhum meio, sem permissão prévia por escrito da Motorola Solutions, Inc.

Marcas registradas

MOTOROLA, MOTO, MOTOROLA SOLUTIONS e o logotipo “M” estilizado são marcas comerciais ou registradas da Motorola Trademark Holdings, LLC e são utilizadas sob licença. Todas as demais marcas comerciais pertencem aos seus respectivos proprietários.

Direitos de licença

A aquisição de produtos da Motorola Solutions não pressupõe garantia, explícita ou implícita, por impedimento ou qualquer outra forma, de qualquer licença de direito autoral, patente ou aplicação de patente da Motorola Solutions, exceto a licença de uso regular não exclusiva, isenta de exploração de patente concedida por força de lei na venda de um produto.

Conteúdo de código aberto

Este produto pode conter software de código aberto usado conforme licença. Consulte na mídia de instalação do produto o conteúdo completo sobre Atribuições e comunicados jurídicos de código aberto.

Diretiva WEEE (Waste of Electrical and Electronic Equipment, resíduos de equipamentos elétricos e eletrônicos) da UE (União Europeia) e do Reino Unido



A diretiva WEEE da União Europeia e a regulamentação WEEE do Reino Unido exigem que os produtos vendidos nos países da União Europeia e do Reino Unido exibam a etiqueta de lixeira cruzada no produto (ou na embalagem, em alguns casos). Conforme definido pela diretiva WEEE, essa etiqueta de lixeira cruzada indica que os clientes e os usuários finais nos países da União Europeia e do Reino Unido não podem descartar equipamentos ou acessórios elétricos ou eletrônicos em lixo doméstico.

Os clientes ou usuários finais dos países da União Europeia e do Reino Unido devem entrar em contato com o representante do fornecedor do equipamento ou o centro de assistência local para obter informações sobre o sistema de coleta de lixo em seu país.

Isenção de responsabilidade

Observação: alguns recursos e capacidades descritos neste documento podem não ser pertinentes ou licenciados para uso em um sistema específico ou podem depender das características de uma determinada unidade de rádio móvel ou da configuração de determinados parâmetros. Consulte seu contato da Motorola Solutions para mais informações.

© 2023 Motorola Solutions, Inc. Todos os direitos reservados

Guia de exposição à energia de RF e segurança do produto para rádios bidirecionais portáteis

ATENÇÃO:

Antes de usar o acessório, leia este guia com instruções operacionais importantes para uso seguro e informações sobre energia de RF (Radio Frequency, radiofrequência) e controle de exposição, a fim de atender a normas e regulamentações pertinentes.

Quando conectado ao rádio, o RSM (Remote Speaker Microphone, microfone alto-falante remoto) fica restrito apenas ao uso profissional para cumprir requisitos de exposição à energia de RF da FCC/ICNIRP. Antes de usar este produto, leia as informações sobre energia de RF e as instruções de operação no manual de segurança do produto e de exposição à RF que acompanha o rádio, para garantir o cumprimento dos limites de exposição à energia de RF.

Para mais informações sobre compatibilidade do rádio, consulte [Compatibilidade do rádio na página 9](#).

Segurança acústica

A exposição a ruídos muito altos de qualquer origem por longos períodos pode prejudicar sua audição temporária ou permanentemente. Quanto mais alto for o volume do rádio, mais rapidamente sua audição poderá ser prejudicada. Às vezes, danos auditivos causados por ruídos fortes não são detectados em sua fase inicial e podem ter efeito cumulativo. Para proteger sua audição:

- Use o volume mais baixo possível para a execução da sua tarefa.
- Aumente o volume somente se estiver em ambientes barulhentos.
- Abaixar o volume antes de colocar um headset ou fone de ouvido.
- Limite o tempo de uso de monofones ou fones de ouvido com volume alto.
- Ao usar o rádio sem headset ou fone de ouvido, não coloque o alto-falante do rádio em contato direto com seus ouvidos.
- Se sentir algum desconforto auditivo, zumbidos ou sons abafados, pare de ouvir o rádio através do headset ou fone de ouvido e consulte um médico. Para alterar o nível de volume, consulte o folheto de segurança do produto de rádio ou o CPS (Customer Programming Software, software de programação do cliente) para as configurações do kit de vigilância de som xL (Extra Loud, muito alto).

Marcas de certificação



Endereço de contato

Contato da União Europeia
Motorola Solutions,

MN009167A01-AE
Informações jurídicas e de segurança

Czerwone Maki 82,
30-392 Cracóvia, Polônia

Contato do Reino Unido

Motorola Solutions UK Ltd.,
Nova South, 160 Victoria Street,
Londres, SW1E 5LB,
Reino Unido

Fale conosco

O CMSO (Centralized Managed Support Operations, centro de operações de suporte técnico gerenciado) é o principal contato para suporte técnico incluído no contrato de serviço da sua organização com a Motorola Solutions.

Clientes do contrato de serviço devem fazer uma chamada para o CMSO em todas as situações listadas na seção responsabilidades do cliente do contrato, tais como:

- Para confirmar os resultados e as análises da solução de problemas antes de agir

Sua organização recebeu números de telefone de suporte e outras informações de contato apropriadas para sua região geográfica e seu contrato de serviço. Use estas informações de contato para obter a resposta mais eficiente. No entanto, se necessário, também é possível encontrar informações gerais de contato de suporte no site da Motorola Solutions seguindo estas etapas:

- 1 Digite motorolasolutions.com no navegador.
- 2 Verifique se o país ou a região da organização é exibido na página. Clique ou toque no nome da região para alterá-lo, caso necessário.
- 3 Na página motorolasolutions.com, selecione "Suporte".

Comentários

Envie as perguntas e os comentários sobre a documentação do usuário para documentation@motorolasolutions.com.

Dê as seguintes informações ao relatar um erro na documentação:

- Título do documento e número da peça
- Número da página ou título da seção com o erro
- Descrição do erro

A Motorola Solutions oferece diversos cursos projetados para auxiliar na aprendizagem do sistema. Para informações, acesse <https://learning.motorolasolutions.com> e veja as ofertas de cursos atuais e os caminhos de tecnologia.

Convenções de ícones

O conjunto de documentação foi criado para oferecer mais dicas visuais ao leitor. Os ícones gráficos a seguir são usados em todo o conjunto de documentação.



PERIGO:

A palavra de sinalização PERIGO com o respectivo ícone de segurança indica informações que, se desconsideradas, podem resultar em morte ou ferimentos graves.



AVISO:

A palavra de sinalização AVISO com o respectivo ícone de segurança indica informações que, se desconsideradas, podem resultar em morte, ferimentos graves ou, ainda, danos graves ao produto.



ATENÇÃO:

A palavra de sinalização CUIDADO com o respectivo ícone de segurança indica informações que, se desconsideradas, podem causar ferimentos de gravidade menor ou moderada ou, ainda, danos graves ao produto.

ATENÇÃO:

A palavra de sinalização CUIDADO poderá ser usada sem o ícone de segurança para indicar possíveis danos ou riscos de ferimento não relacionados ao produto.



INFORMAÇÕES:

Declarações IMPORTANTES contêm informações essenciais para o assunto em questão, mas que não são classificadas com o termo ATENÇÃO ou AVISO. Não há nenhum nível de aviso associado a uma declaração classificada como IMPORTANTE.



OBSERVAÇÃO:

OBSERVAÇÃO contém informações mais importantes do que o texto ao redor, como exceções ou condições. Esse ícone também indica outros locais para o leitor consultar informações adicionais, lembra ao leitor sobre como concluir uma ação (quando a ação não faz parte do procedimento atual, por exemplo) ou informa o leitor sobre a localização de algum item na tela. Não há nenhum nível de aviso associado a uma observação.

Índice

Informações jurídicas e de segurança.....	2
Propriedade intelectual e comunicados regulatórios.....	2
Guia de exposição à energia de RF e segurança do produto para rádios bidirecionais portáteis	3
Segurança acústica.....	3
Conformity Markings.....	3
Endereço de contato.....	3
Fale conosco.....	5
Convenções de ícones.....	6
Capítulo 1: Visão geral do microfone alto-falante remoto.....	8
1.1 Compatibilidade do rádio.....	9
1.2 Acessórios aprovados.....	9
1.3 Peças de reposição.....	9
Capítulo 2: Priorização de roteamento de áudio.....	11
2.1 Alarme de lembrete de comutação de áudio.....	11
Capítulo 3: Instruções operacionais.....	12
3.1 Como conectar e desconectar o RSM (Remote Speaker Microphone, microfone alto-falante remoto).....	12
Capítulo 4: Configurações recomendadas para o rádio.....	13
Capítulo 5: Práticas recomendadas.....	14
5.1 Como receber uma transmissão do RSM (Remote Speaker Microphone, microfone alto-falante remoto).....	14
5.2 Como transmitir com o RSM (Remote Speaker Microphone, microfone alto-falante remoto).....	14
5.3 Uso da entrada de áudio.....	15
5.3.1 Como abrir e fechar a tampa da entrada de áudio.....	15
5.3.2 Como inserir e remover a entrada de áudio.....	16
5.4 Entrada Nexus.....	16
5.5 Posições de uso recomendadas.....	17
5.6 Controle de cabos.....	18
Capítulo 6: Interface do Nexus RSM NS750.....	20
Capítulo 7: Procedimentos de limpeza.....	23
7.1 Procedimento de limpeza.....	23
7.2 Procedimentos de desinfecção e descontaminação.....	24
Capítulo 8: Serviço e garantia.....	25

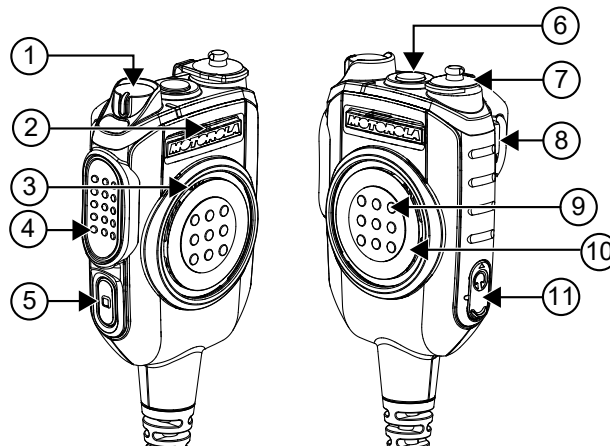
Capítulo 1

Visão geral do microfone alto-falante remoto

Este manual se aplica aos seguintes RSMs (Remote Speaker Microphone, microfone alto-falante remoto):

- Microfone alto-falante remoto omnidirecional (com cabo longo) PMMN4150 – NS750 IMPRES™
- Microfone alto-falante remoto omnidirecional (com cabo curto) PMMN4151 – NS750 IMPRES™

Figura 1: Visão geral do RSM



Item	Descrição
1	Botão de troca de áudio
2	Microfone onidirecional
3	Alto-falante
4	Botão Push-To-Talk (PTT) lateral
5	Botão programável de 1 ponto
6	Botão laranja de acessórios
7	Entrada Nexus
8	Clipe de cinto
9	Botão PTT frontal
10	Posicionamento do rótulo da paleta frontal do PTT
11	Entrada de áudio de 3,5 mm ¹

¹ Entrada de áudio de 3,5 mm compatível somente com o kit PMLN7188_

1.1

Compatibilidade do rádio

Os rádios a seguir são compatíveis com o RSM (Remote Speaker Microphone, microfone alto-falante remoto):

- MOTOTRBO R7 – Exige o firmware R02.22.03.1001 e posterior
- MXP600 – Exige o firmware R55.XX0.9840 e posterior

1.2

Acessórios aprovados

Esta seção traz uma lista de acessórios aprovados para uso com o RSM (Remote Speaker Microphone, microfone alto-falante remoto).

Fone intra-auricular

Acima 1: Fone intra-auricular

Número da peça	Descrição
PMLN7188_	Fone de ouvido ATEX somente receptor com tubo translúcido de 3,5 mm

Acessórios de áudio Nexus

Acima 2: Acessórios de áudio Nexus

Número da peça	Descrição
GMMN4585_ ^{2,3}	Comunicação para capacetes Savox HC-1
GMMN4584_ ^{2,3}	Comunicação para capacetes Savox HC-2
PMLN8265_ ^{2,3}	Headset com aro para cabeça e Nexus
PMLN8266_ ^{2,3}	Headset com haste de apoio na nuca e Nexus
PMLN8267_ ^{2,3}	Headset para capacetes com Nexus

Não é possível garantir o desempenho de áudio de outros acessórios com plugues Nexus conectados ao RSM, pois a compatibilidade não foi testada. Para um desempenho ideal, deixe o cabo dos acessórios Nexus longe da antena do rádio.

1.3

Peças de reposição

O seu RSM não é reparável. Os seguintes acessórios opcionais e as peças de reposição estão disponíveis mediante pedido na Motorola Solutions.

Acima 3: Peças de reposição

Número da peça	Descrição
0104068J78_	Clipe de cinto

² Os acessórios de áudio Nexus não são aprovados pela UL.

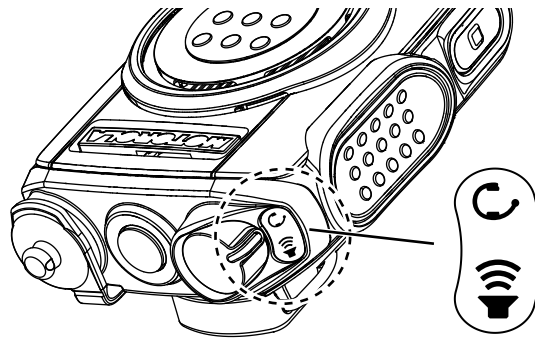
³ Quando usado com o RSM, o nível do sistema não é aprovado pela UL.

Número da peça	Descrição
PMLN8464_	Rótulo de reposição da paleta frontal do PTT (verde)
PMLN8465_	Rótulo de reposição da paleta frontal do PTT (azul)
PMLN8466_	Rótulo de reposição da paleta frontal do PTT (vermelho)
PMLN8468_	Rótulo de reposição da paleta frontal do PTT (amarelo)
PMLN8469_	Rótulo de reposição da paleta frontal do PTT (prata)
PMLN8523_	Rótulo de reposição da paleta frontal do PTT (laranja)



Capítulo 2

Priorização de roteamento de áudio

Figura 2: Roteamento de áudio




Acima 4: Priorização de roteamento de áudio


Alternar modo	Configuração	Roteamento de transmissão (Tx)	Roteamento de recepção (Rx)
 RSM ou com entrada SAA	Somente RSM	RSM	RSM
	RSM com Nexus SAA	Nexus SAA	Nexus SAA
	RSM com SAA de 3,5 mm + Nexus SAA	Nexus SAA	Nexus SAA
	RSM com SAA de 3,5 mm	RSM	SAA de 3,5 mm
 Apenas RSM	Somente RSM	RSM	RSM
	RSM com Nexus SAA	RSM	RSM
	RSM com SAA de 3,5 mm + Nexus SAA	RSM	RSM
	RSM com SAA de 3,5 mm	RSM	RSM

2.1

Alarme de lembrete de comutação de áudio

Esta seção traz informações sobre o alarme de lembrete de comutação de áudio.

Um alarme sonoro pulsante é ouvido nos acessórios Nexus conectados quando o roteamento de áudio é comutado para o modo .

Como parte do recurso de segurança para evitar uma comutação de áudio equivocada ou esquecida, o alarme sonoro fica sempre ativado. É recomendável comutar o áudio para o modo  ao usar o acessório Nexus para operação.

Capítulo 3

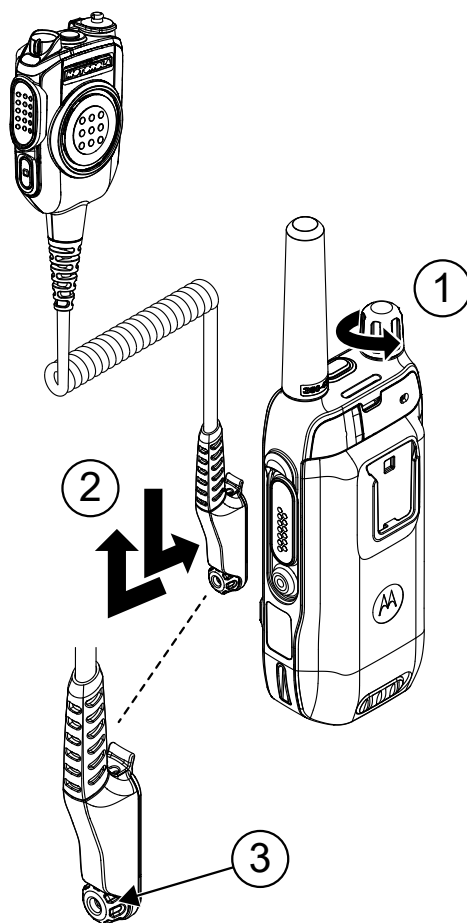
Instruções operacionais

Esta seção oferece orientações sobre como usar o microfone com alto-falante remoto.

3.1

Como conectar e desconectar o RSM (Remote Speaker Microphone, microfone alto-falante remoto)

Quando e onde usar:



Item	Descrição
1	Desligue o rádio.
2	Aperte ou solte o parafuso para conectar ou desconectar o RSM do rádio.
3	Parafuso borboleta

Capítulo 4

Configurações recomendadas para o rádio



OBSERVAÇÃO:

Aplica-se somente aos rádios MOTOTRBO R7.

Menu principal→**Utilitários**→**Configurações do rádio**

Acima 5: Configurações do rádio

Configurações do rádio	Configurações recomendadas
Supressor de AF	Ativado
Preferência de áudio	Padrão
Áudio inteligente	Ativado
Mic AGC-D	Ativado
Supressor de ruídos	Ativado
Modo direto	Ativado

Capítulo 5

Práticas recomendadas

Esta seção traz informações sobre práticas recomendadas para o Microfone com alto-falante remoto (RSM).

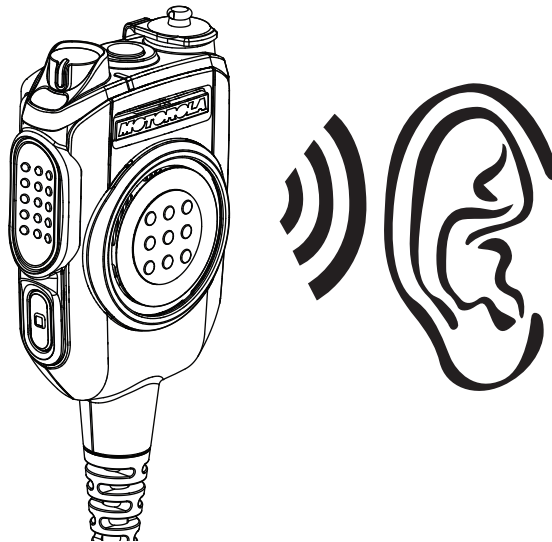
5.1

Como receber uma transmissão do RSM (Remote Speaker Microphone, microfone alto-falante remoto)

Procedimento:

Consulte [Priorização de roteamento de áudio na página 11](#) para mais informações.

Figura 3: Como receber uma transmissão do RSM



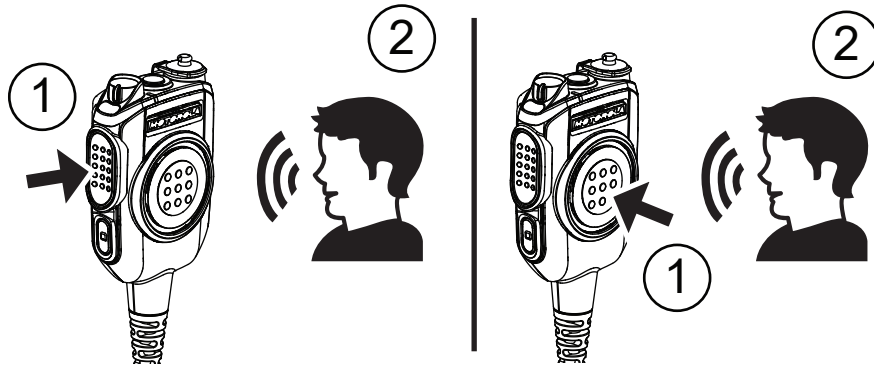
5.2

Como transmitir com o RSM (Remote Speaker Microphone, microfone alto-falante remoto)

Procedimento:

- 1 Mantenha o botão PTT pressionado.
- 2 Fale perto do microfone para ser o mais claro possível.

Figura 4: Como fazer uma transmissão com o RSM



5.3

Uso da entrada de áudio

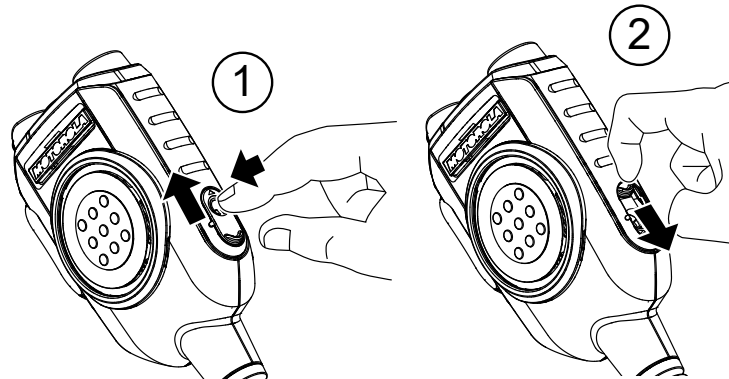
Esta seção traz informações sobre práticas recomendadas para entrada de áudio.

- Antes do uso, limpe ou remova qualquer material da entrada de áudio.
- Sempre cubra a entrada de áudio com a tampa de proteção quando a entrada não estiver conectada.

5.3.1

Como abrir e fechar a tampa da entrada de áudio

Quando e onde usar:



Item	Descrição
1	Empurre e deslize a tampa

Item	Descrição
2	Deslize a tampa

5.3.2

Como inserir e remover a entrada de áudio

Quando e onde usar:

Figura 5: Como conectar a entrada de áudio

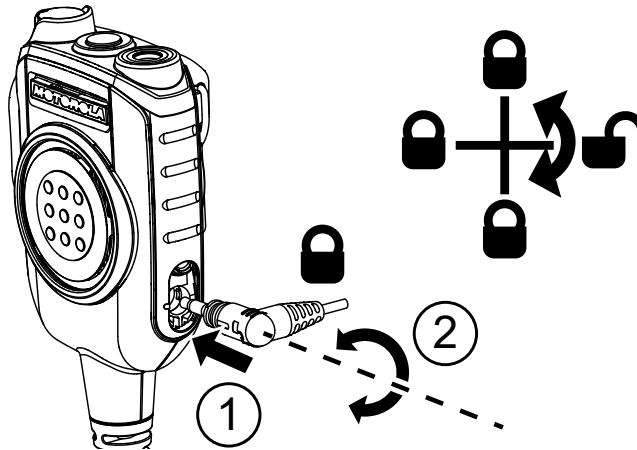
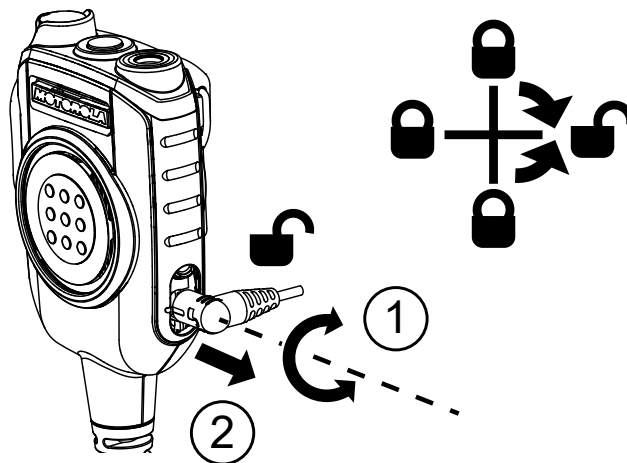


Figura 6: Desconectar a entrada de áudio



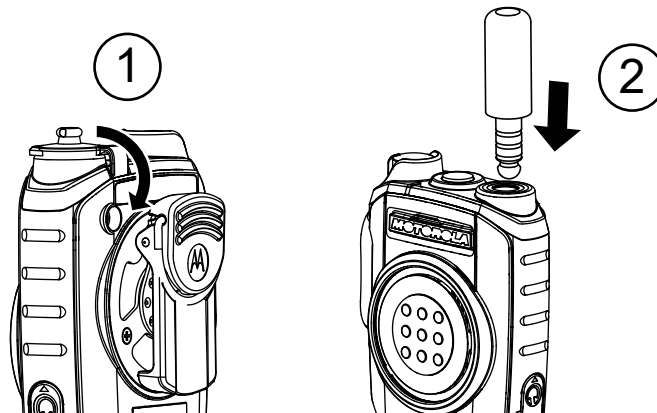
5.4

Entrada Nexus

Esta seção traz informações sobre práticas recomendadas para a entrada Nexus.

- Antes do uso, limpe ou remova qualquer material da entrada.
- Sempre cubra a entrada Nexus com a tampa de proteção quando a entrada não estiver conectada.

Figura 7: Como conectar a entrada Nexus



OBSERVAÇÃO:

Antes de conectar ou desconectar os acessórios Nexus, é recomendável desligar o rádio.

5.5

Posições de uso recomendadas

Esta seção descreve a posição de uso recomendada do RSM (Remote Speaker Microphone, microfone alto-falante remoto).

Figura 8: RSM com cabo longo

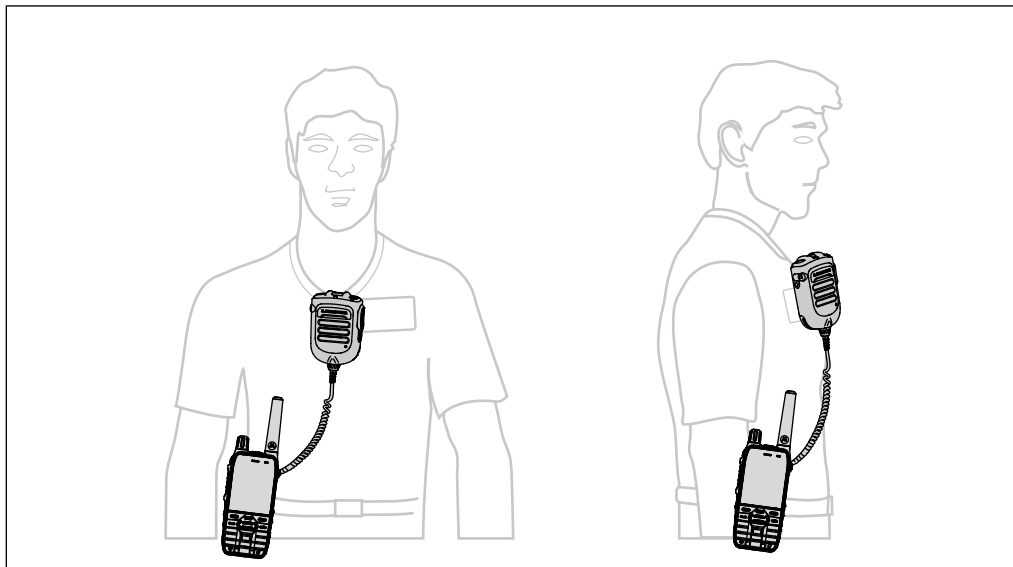
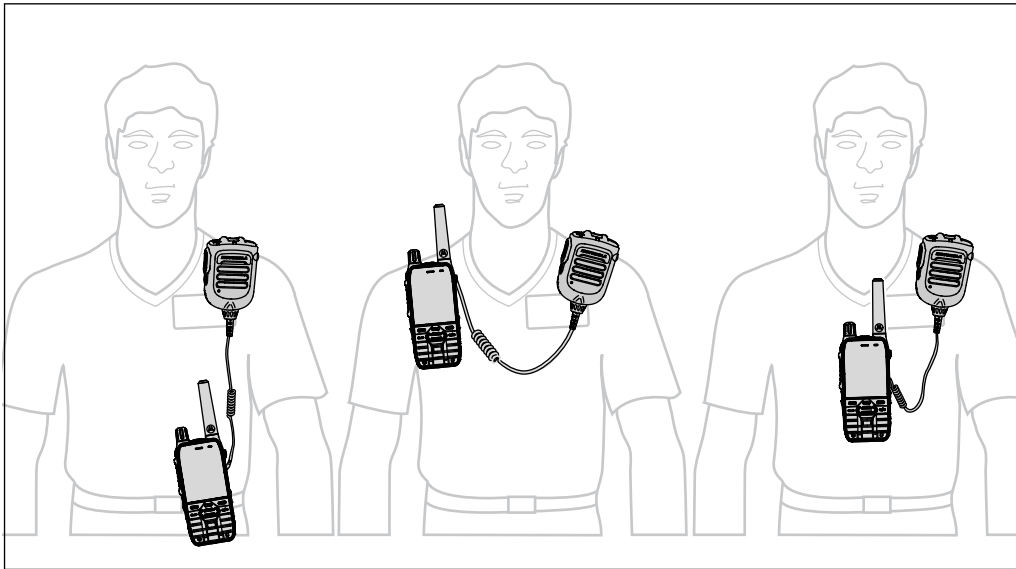


Figura 9: RSM com cabo curto



OBSERVAÇÃO:

É recomendável usar o rádio na lapela somente se for rádio leve.

5.6

Controle de cabos

Esta seção descreve a posição recomendada do cabo.

Figura 10: Recomendado

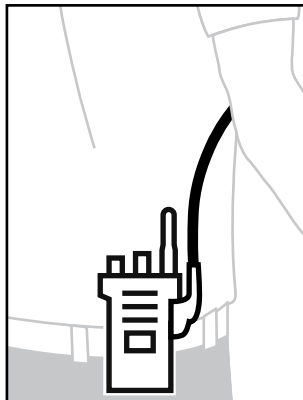
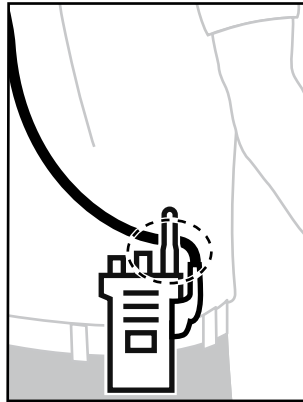


Figura 11: Não recomendado



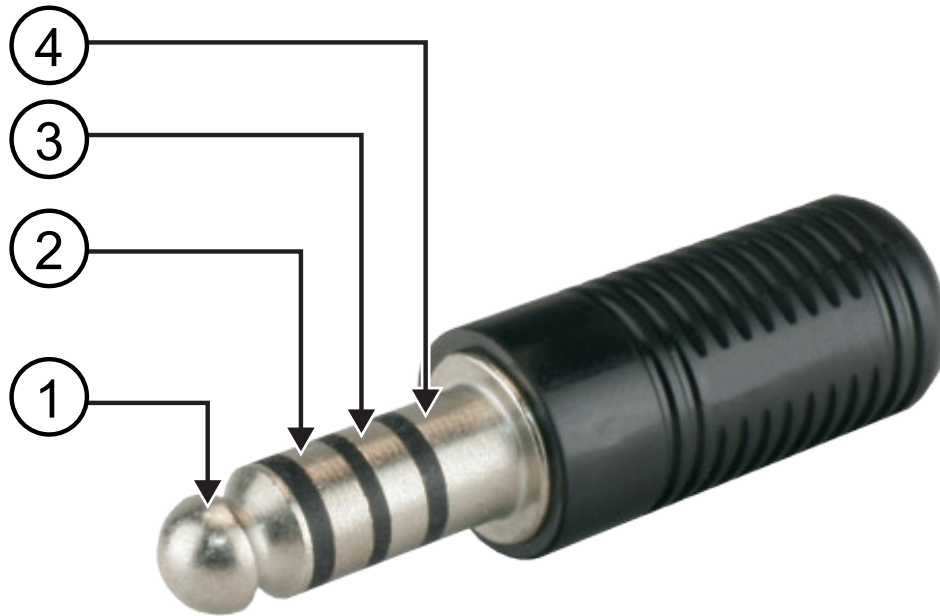
Para garantir o alcance ideal e a experiência do usuário, é recomendável evitar cruzar o cabo acessório com a antena do rádio.

Capítulo 6

Interface do Nexus RSM NS750

Esta seção traz a descrição da interface do Nexus RSM quando conectada a diferentes tipos de acessórios Nexus de áudio secundário.

Figura 12: Plugue Nexus



Acima 6: Plugue Nexus

Anotação	Descrição do plugue Nexus
1	Ponta (pino 1)
2	Anel 1 (pino 2)
3	Anel 2 (pino 3)
4	Luva (pino 4)

Acima 7: Interface do Nexus RSM NS750

Parâmetro	Valor
Microfone Electret + Processador DSP	

Parâmetro	Valor	
Caminho	Caminho 1	
Impedância do microfone	Aberta	
Tensão para detecção de microfone (pino 2 ao pino 1 em comparação com a Tensão de referência [1,1 V])	Maior que a tensão de referência no pino 2	
Pinagem	Atribuição de pinagem	Observações
Pino 1	TERRA	TERRA
Pino 2	Microfone+	> 1,1 V (maior que a tensão referência)
Pino 3	Não conectado	Não aplicável (NA)
Pino 4	Alto-falante com aterramento em um lado	Áudio do alto-falante com aterramento em um lado
Ganho do microfone em RSM	+6 dB	
Propor microfone Sensibilidade do componente	Microfone Electret com processador DSP	
Impedância do alto-falante	Fornecedor decide	
Segurança de áudio recomendada pela Motorola Solutions	≈ < 118 dBSPL (pico)	
Microfone Electret		
Caminho	Caminho 2	
Impedância do microfone	≈ < 1 kΩ	
Tensão para detecção de microfone (pino 2 ao pino 1 em comparação com a Tensão de referência [1,1 V])	Menor que a tensão de referência no pino 2	
Pinagem	Atribuição de pinagem	Observações
Pino 1	TERRA	TERRA
Pino 2	Microfone+	< 1,1 V (menor que a tensão de referência)
Pino 3	Alto-falante +	Áudio balanceado
Pino 4	Alto-falante -	
Ganho do microfone em RSM	+22 dB	
Propor microfone Sensibilidade do componente	Microfone Electret (≈ -60 dB relativo a 1 V/PA)	
Impedância do alto-falante	Fornecedor decide	
Segurança de áudio recomendada pela Motorola Solutions	≈ < 118 dBSPL (pico)	
Condução óssea/Acelerômetro		

Parâmetro	Valor		
Caminho	Caminho 3		
Impedância do microfone	$\approx < 1 \text{ k}\Omega$		
Tensão para detecção de microfone (pino 3 ao pino 1 em comparação com a Tensão de referência [1,1 V])	Menor que a tensão de referência no pino 3		
Pinagem	Atribuição de pinagem	Observações	
Pino 1	TERRA	TERRA	
Pino 2	Não conectado	Não aplicável (NA)	
Pino 3	Condução Óssea Microfone	< 1,1 V (menor que a tensão de referência)	
Pino 4	Alto-falante com aterramento em um lado	Áudio do alto-falante com aterramento em um lado	
Ganho do microfone em RSM	+29 dB		
Propor microfone Sensibilidade do componente	Impedância do microfone sensível à vibração		
Impedância do alto-falante	Fornecedor decide		
Segurança de áudio recomendada pela Motorola Solutions	$\approx < 118 \text{ dBSPL (pico)}$		

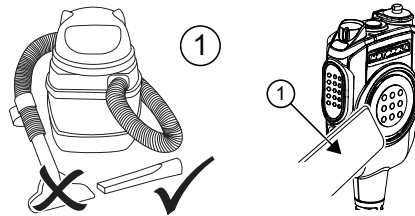
Capítulo 7

Procedimentos de limpeza

Esta seção traz informações sobre os procedimentos de limpeza do RSM (Remote Speaker Microphone, microfone alto-falante remoto)

Etapa opcional para ambientes com altos níveis de sujeira

Aspire a superfície frontal do RSM antes da limpeza geral.



AVISO:

O uso dos seguintes itens anulam a garantia:

- Aspirador de pó com mais de 4 hp/3 kW.
- Bocal que não seja para cantos e frestas.
- Métodos de limpeza diferentes.

7.1

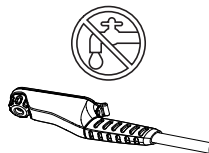
Procedimento de limpeza

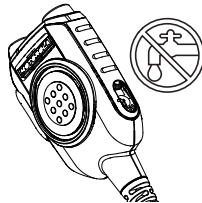
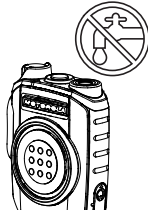
Quando e onde usar:



AVISO:

- Não molhe o conector.
- Não ponha água na entrada Nexus ou na entrada de áudio.
- Cubra a entrada Nexus ou a entrada de áudio com a tampa de proteção quando a entrada não estiver conectada ao fone de ouvido.
- Se entrar água na entrada Nexus ou na entrada de áudio, sacuda o RSM (Remote Speaker Microphone, microfone alto-falante remoto) para remover a água.



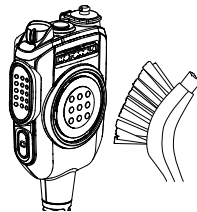


AVISO:

Use apenas detergente e água. Outras soluções de limpeza podem danificar permanentemente o invólucro do RSM e invalidar a garantia. Não deixe o rádio molhado por mais de 30 minutos.

Procedimento:

- 1 Misture uma colher de chá de detergente neutro em quatro litros de água (solução de 0,5%).
- 2 Aplique a solução cuidadosamente com uma escova de náilon com cerdas curtas.



AVISO:

Não deixe que as cerdas entrem nas áreas do alto-falante ou microfone para não causar danos internos e invalidar a garantia.

- 3 Enxágue todo o RSM com água fria e seque-o totalmente com um pano macio sem fiapos.
- 4 Segure o RSM com a superfície frontal virada para baixo e chacoalhe cuidadosamente algumas vezes para retirar a água que pode ficar embaixo das aberturas do alto-falante ou das portas do microfone.

7.2

Procedimentos de desinfecção e descontaminação

A Motorola Solutions fornecendo diretrizes recomendadas de limpeza e desinfecção de seu RSM, baseada nas informações atuais e mais adequadas de higienização do RSM.

De acordo com as autoridades de saúde mundiais, a remoção de germes, sujeira e impurezas das superfícies reduz o risco de disseminação de infecções. Você pode usar os seguintes desinfetantes ou desinfetantes para desinfetar o RSM:

- Lenços de descontaminação Dewipe

Capítulo 8

Serviço e garantia

A Motorola Solutions oferece uma garantia padrão de um ano. Fale com um revendedor da Motorola Solutions para informações detalhadas sobre a garantia padrão.

Para mais informações

Fale com um revendedor autorizado da Motorola Solutions ou visite-nos em www.motorolasolutions.com.



NS750 IMPRES™ 全向远程 扬声器麦克风 PMMN4150 和 PMMN4151

7 月 2023 年

© 2023 Motorola Solutions, Inc. All rights reserved



MN009167A01-AE

安全和法律

本节提供本产品的安全和法律信息。

知识产权和监管声明

版权

本文中介绍的 Motorola Solutions 产品可能包含受版权保护的 Motorola Solutions 计算机程序。美国和其他国家/地区的法律为 Motorola Solutions 保留受版权保护的计算机程序的某些专有权利。因此，在未经 Motorola Solutions 明确书面许可的情况下，不得以任何方式对本文档中介绍的 Motorola Solutions 产品所包含的任何受版权保护的 Motorola Solutions 计算机程序进行拷贝或复制。

在未经 Motorola Solutions, Inc. 事先书面许可的情况下，不得以任何形式或通过任何方式来复制、传播、在检索系统中存储本文档的任何部分，或将其翻译为任何语言或计算机语言。

商标

MOTOROLA、MOTO、MOTOROLA SOLUTIONS 和标志性的 M 徽标是 Motorola Trademark Holdings, LLC 的商标或注册商标，必须获得授权方可使用。所有其他商标均为其各自所有者的财产。

许可权利

购买 Motorola Solutions 的产品不应视为直接或通过暗示、禁止反言或其他方式授予 Motorola Solutions 的版权、专利或专利申请的任何许可，但产品销售过程中因法律实施所引起的普通非专有免版税许可除外。

开源内容

本产品可能包含经许可使用的开源软件。请参阅产品安装介质，了解完整的“开源法律声明和归属”内容。

欧盟 (EU) 和英国 (UK) 废弃电子电气设备 (WEEE) 指令



欧盟的 WEEE 指令和英国的 WEEE 法规要求销售到欧盟国家/地区和英国的产品必须在产品上（有时是在包装上）张贴带交叉号的垃圾箱标签。根据 WEEE 指令的定义，此带叉号的带轮垃圾箱标签表示欧盟国家/地区和英国的客户和最终用户不得将此电子电气设备或附件作为生活垃圾处置。

欧盟国家/地区和英国的客户或最终用户应联系当地的设备供应商代表或服务中心，以了解有关所在国家/地区废物收集系统的相关信息。

免责声明

请注意，本文档中介绍的某些特性、设备和功能可能不适用于或未授权给特定系统使用，或者取决于特定移动订阅用户设备的特性或特定参数的配置。请联系 Motorola Solutions 联系人获取详细信息。

© 2023 Motorola Solutions, Inc. 保留所有权利

便携式双向对讲机的射频能量辐射和产品安全指南

小心:

在使用此附件之前，请阅读本指南，其中包括重要的安全操作说明以及射频能量意识和控制，以确保符合适用的标准和法规。

将远程扬声器麦克风 (RSM) 连接到对讲机时，仅限于能够满足 FCC/ICNIRP 射频能量辐射要求的职业应用。在使用本产品之前，请仔细阅读对讲机随附的“产品安全和射频能量辐射”手册中有关的射频能量意识信息和安全操作说明，以确保符合射频能量辐射限制标准。

有关对讲机兼容性的信息，请参阅 [对讲机兼容性页号 7](#)。

声音安全

长时间接触任何来源的响亮噪音可能会暂时或永久影响您的听力。对讲机音量越大，对听力的影响产生越快。响亮噪音对听力的损害有时在初期无法检测，并会有累积效果。为了保护您的听力，请遵循以下提示：

- 使用完成工作所需的最低音量。
- 仅在嘈杂环境下才调高音量。
- 先调低音量，然后再佩戴耳机或听筒。
- 限制在高音量下使用耳机或听筒的时间。
- 使用不带耳机或听筒的对讲机时，请勿将对讲机的扬声器直接对着耳朵。
- 如果您出现耳朵不适、发生耳鸣或说话口齿不清等症状，则应停止通过耳机或听筒听取对讲机的声音，并请医生检查您的听力。如需更改音量级别，请参阅《对讲机产品安全手册》或客户编程软件 (CPS)，查看“Surveillance Extra Loud (xL) 套件配置”章节内容。

认证标记



联系地址

欧盟联系信息

Motorola Solutions,
Czerwone Maki 82,
30-392 Krakow, Poland

英国联系信息

Motorola Solutions UK Ltd.,
Nova South, 160 Victoria Street,
London, SW1E 5LB,
United Kingdom

联系我们

集中化管理支持运营部门 (CMSO) 是贵组织与 Motorola Solutions 签订的服务协议中包含的提供技术支持的主要联系方。

服务协议客户应确保在协议的“客户的责任”部分中列出的所有情况下致电 CMSO，例如：

- 在采取措施之前确认故障排除结果和分析

贵组织已收到适用于您所在地理区域和服务协议的支持电话号码和其他联系信息。使用该等联系信息可获得最高效的响应。但是在需要时，您也可以通过执行以下步骤在 Motorola Solutions 网站上查找一般支持联系信息：

- 1 在浏览器中输入 motorolasolutions.com。
- 2 确保页面上显示有贵组织所在的国家/地区。单击或轻触地区的名称即可对其进行更改。
- 3 选择 motorolasolutions.com 页面上的“支持”。

备注

请将有关用户文档的问题和意见发送到 documentation@motorolasolutions.com。

报告文档错误时请提供以下信息：

- 文档标题和部件号
- 出错章节的页码或标题
- 错误描述

Motorola Solutions 提供各种旨在帮助学习系统相关内容的课程。要获取相关信息，请转至 <https://learning.motorolasolutions.com>，查看当前课程产品和技术路径。

图标约定

本文档集旨在为读者提供更多的直观提示。整个文档集统一使用了以下图标。



危险: 提示词“危险”及关联的安全图标表示，如果不注意其中的信息，则可能导致死亡或严重的人身伤害。



警告: 提示词“警告”及关联的安全图标表示，如果不注意其中的信息，则可能导致死亡或严重的人身伤害，也可能造成严重的产品损坏。



小心: 提示词“小心”及关联的安全图标表示，如果不注意其中的信息，则可能导致轻微或中等程度的人身伤害，也可能造成严重的产品损坏。

小心: 提示词“小心”也可能单独出现，而没有关联的安全图标，这表示可能发生与本产品无关的产品损坏或人身伤害。



重要说明: “重要”说明所包含的信息对于当前主题非常重要，但它不是“小心”或“警告”级的信息。“重要”说明没有相应的警告级别。



注释: “注意”含有比周围文字更重要的信息，如例外情况或注意事项。有时还会为读者提供一些其他位置的补充参考信息，提醒读者如何完成操作（例如，当操作不属于当前过程的一部分时），或者告诉读者某些项目在屏幕中的位置。“注意”没有相应的警告级别。

目录

安全和法律	2
知识产权和监管声明.....	2
便携式双向对讲机的射频能量辐射和-product安全指南.....	3
声音安全.....	3
Conformity Markings.....	3
联系地址.....	3
联系我们	4
图标约定	5
章节 1 : 远程扬声器麦克风概述	7
1.1 对讲机兼容性.....	7
1.2 认可的附件.....	8
1.3 可更换部件.....	8
章节 2 : 音频路由优先	9
2.1 音频切换提醒警报.....	9
章节 3 : 操作说明	10
3.1 连接和断开远程扬声器麦克风 (RSM).....	10
章节 4 : 推荐的对讲机设置	11
章节 5 : 推荐的做法	12
5.1 通过远程扬声器麦克风 (RSM) 接收.....	12
5.2 通过远程扬声器麦克风 (RSM) 发射.....	12
5.3 音频插孔的使用.....	13
5.3.1 打开和合上音频插孔护盖.....	13
5.3.2 插入音频插孔和从音频插孔拔出.....	13
5.4 Nexus 插孔.....	14
5.5 推荐的佩戴位置.....	15
5.6 电缆管理.....	16
章节 6 : NS750 Nexus RSM 接口	18
章节 7 : 清洁过程	21
7.1 清洁过程.....	21
7.2 消毒和去污过程.....	22
章节 8 : 服务和保修	23

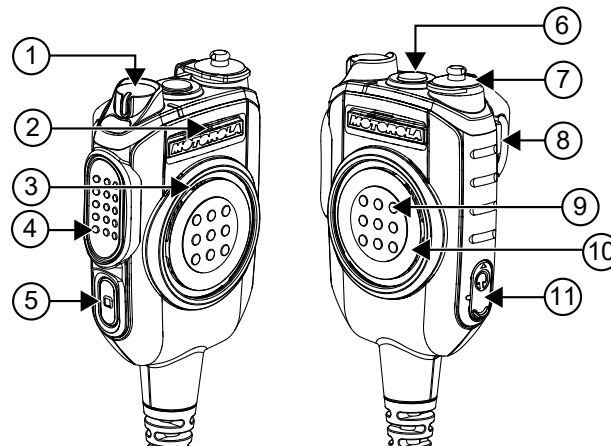
章节 1

远程扬声器麦克风概述

本手册适用于以下远程扬声器麦克风 (RSM)：

- PMMN4150 - NS750 IMPRES™ 全向远程扬声器麦克风 (带长线)
- PMMN4151 - NS750 IMPRES™ 全向远程扬声器麦克风 (带短线)

图 1：RSM 概述



项目	说明
1	音频开关旋钮
2	全向麦克风
3	扬声器
4	侧面通话按键 (PTT)
5	1 点式可预设按钮
6	附件橙色按钮
7	Nexus 插孔
8	皮带夹
9	正面通话按钮
10	正面通话按钮贴标位置
11	3.5 毫米音频插孔 ¹

1.1 对讲机兼容性

以下对讲机与远程扬声器麦克风 (RSM) 兼容：

- MOTOTRBO R7 - 需要固件 R02.22.03.1001 和更高版本

¹ 3.5 毫米音频插孔仅与 PMLN7188_ 套件兼容

- MXP600 - 需要固件 R55.XX0.9840 和更高版本

1.2

认可的附件

本节提供可与您的远程扬声器麦克风 (RSM) 配合使用的认可附件列表。

听筒

表 1：听筒

部件号	说明
PMLN7188_	ATEX 3.5 毫米带半透明管的仅接收耳机

Audio Nexus 附件

表 2：Audio Nexus 附件

部件号	说明
GMMN4585_ ^{2,3}	Savox HC-1 头盔通信
GMMN4584_ ^{2,3}	Savox HC-2 头盔通信
PMLN8265_ ^{2,3}	带 Nexus 的头带式耳机
PMLN8266_ ^{2,3}	带 Nexus 的颈带式耳机
PMLN8267_ ^{2,3}	带 Nexus 的头盔式耳机

连接到 RSM 的其他 Nexus 插头附件的音频性能不受保证，因为兼容性未经过测试。为获得最佳性能，Nexus 附件电缆应远离对讲机天线。

1.3

可更换部件

您的 RSM 不可修复。以下可选附件和更换部件可通过 Motorola Solutions 订购。

表 3：可更换部件

部件号	说明
0104068J78_	皮带夹
PMLN8464_	正面通话按钮替换贴标 (绿色)
PMLN8465_	正面通话按钮替换贴标 (蓝色)
PMLN8466_	正面通话按钮替换贴标 (红色)
PMLN8468_	正面通话按钮替换贴标 (黄色)
PMLN8469_	正面通话按钮替换贴标 (银色)
PMLN8523_	正面通话按钮替换贴标 (橙色)

² Audio Nexus 附件是非 UL 附件。

³ 与 RSM 一起使用时，系统级别为非 UL。

章节 2

音频路由优先

图 2：音频路由

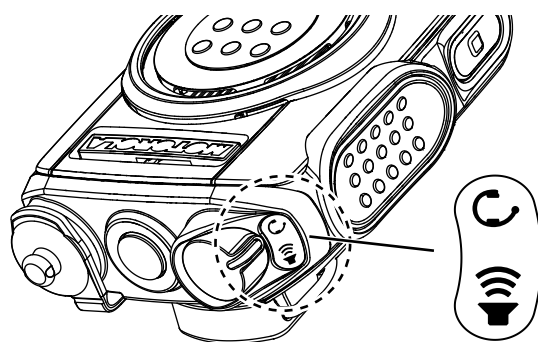





表 4：音频路由优先


切换模式	配置	发射 (Tx) 路由	接收 (Rx) 路由
 RSM 或带 SAA 插孔	单独的 RSM	RSM	RSM
	带 Nexus SAA 的 RSM	Nexus SAA	Nexus SAA
	带 3.5 毫米 SAA 和 Nexus SAA 的 RSM	Nexus SAA	Nexus SAA
	带 3.5 毫米 SAA 的 RSM	RSM	3.5 毫米 SAA
 仅 RSM	单独的 RSM	RSM	RSM
	带 Nexus SAA 的 RSM	RSM	RSM
	带 3.5 毫米 SAA 和 Nexus SAA 的 RSM	RSM	RSM
	带 3.5 毫米 SAA 的 RSM	RSM	RSM

2.1

音频切换提醒警报

本节提供有关音频切换提醒警报的信息。

当音频路由由切换至  模式时，连接的 Nexus 附件会发出脉冲声音警报。

作为防止音频切换出错或忘记音频切换的安全功能，声音警报始终启用。建议您在佩戴 Nexus 附件进行操作时将音频切换至  模式。

章节 3

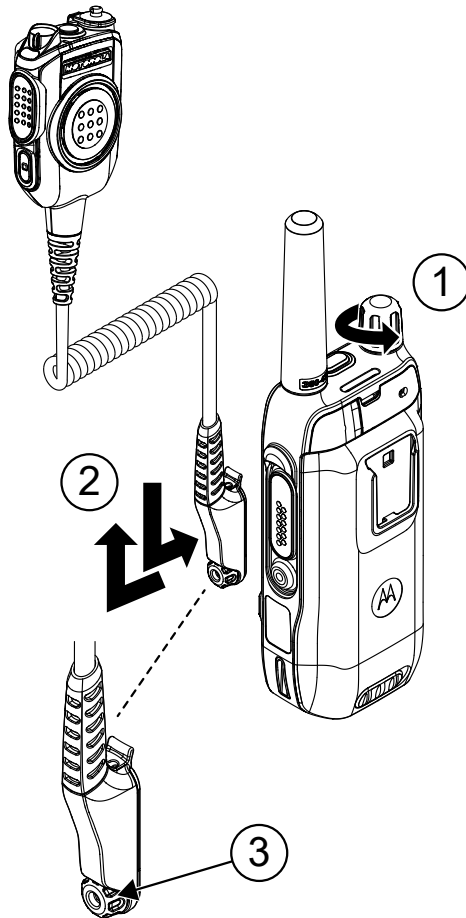
操作说明

本节提供有关如何使用远程扬声器麦克风的指南。

3.1

连接和断开远程扬声器麦克风 (RSM)

何时何处使用：



项目	说明
1	关闭对讲机。
2	拧紧或拧松螺丝，将 RSM 装到对讲机上或从对讲机上拆下 RSM。
3	指旋螺丝

章节 4

推荐的对讲机设置



注释: 仅适用于 MOTOTRBO R7 对讲机。

主菜单→实用程序→对讲机设置

表 5：对讲机设置

对讲机设置	推荐设置
AF 抑制器	已启用
音频首选项	默认
智能音频	已启用
麦克风 AGC-D	已启用
噪声抑制器	已启用
脱网	已启用

章节 5

推荐的做法

本节提供有关远程扬声器麦克风 (RSM) 的推荐做法信息。

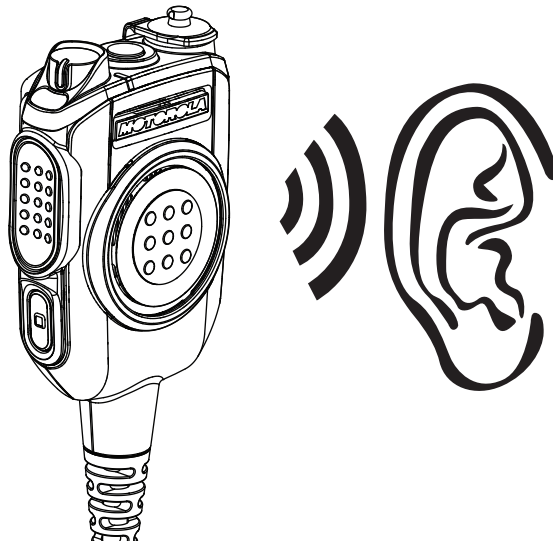
5.1

通过远程扬声器麦克风 (RSM) 接收

步骤：

有关更多信息，请参阅 [音频路由优先页号 9](#)。

图 3：通过 RSM 接收



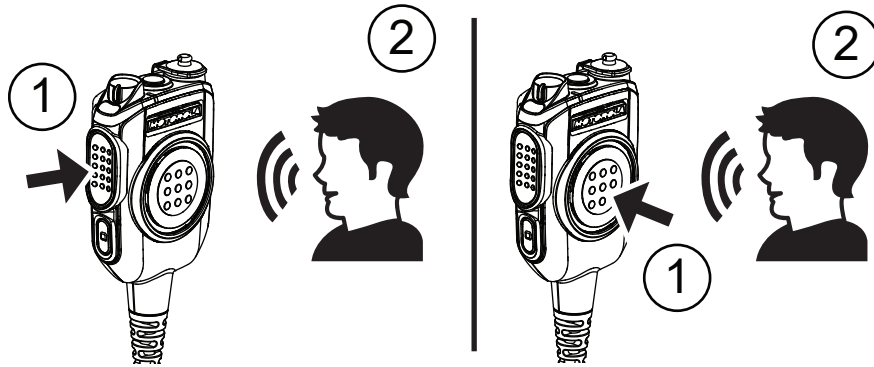
5.2

通过远程扬声器麦克风 (RSM) 发射

步骤：

- 1 按住 PTT 按钮。
- 2 靠近麦克风讲话可获得最清晰的通话效果。

图 4：通过 RSM 发射



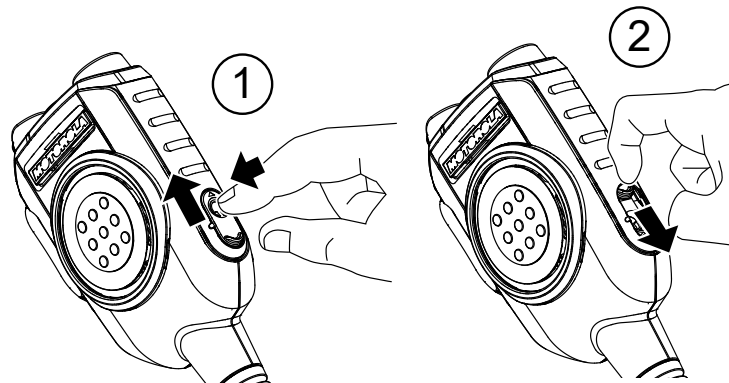
5.3 音频插孔的使用

本节提供有关音频插孔最佳做法的信息。

- 使用前，清洁音频插孔或去除其中的异物。
- 未插入耳机时，务必用防尘罩盖住音频插孔。

5.3.1 打开和合上音频插孔护盖

何时何处使用：



项目	说明
1	按下并滑动护盖
2	滑动护盖

5.3.2 插入音频插孔和从音频插孔拔出

何时何处使用：

图 5：插入音频插孔

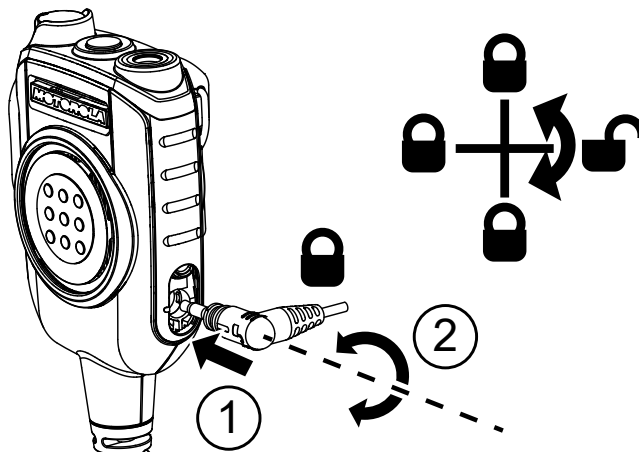
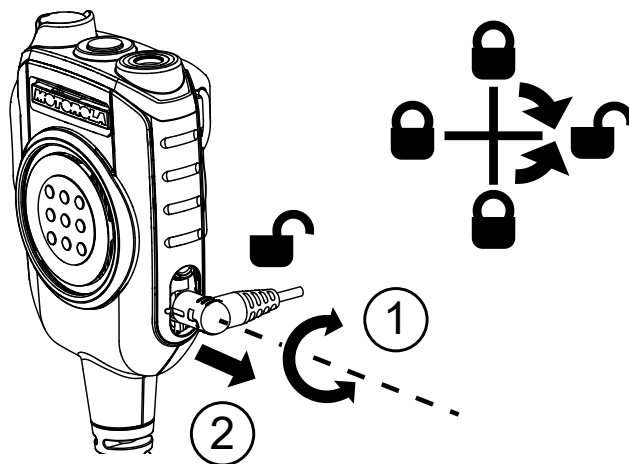


图 6：从音频插孔拔出



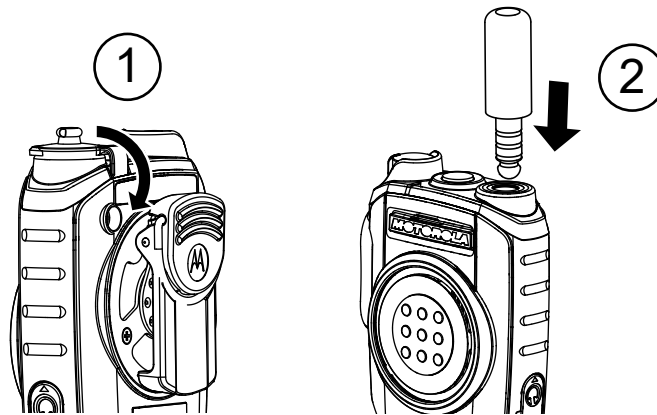
5.4

Nexus 插孔

本节提供有关 Nexus 插孔最佳做法的信息

- 使用前，清洁插孔或去除插孔内异物。
- 未插入耳机时，务必用防尘罩盖住 Nexus 插孔。

图 7：插入 Nexus 插孔



注释：建议在插入或拔下 Nexus 附件之前关闭对讲机。

5.5

推荐的佩戴位置

本节介绍远程扬声器麦克风 (RSM) 的推荐佩戴位置。

图 8：带长线的 RSM

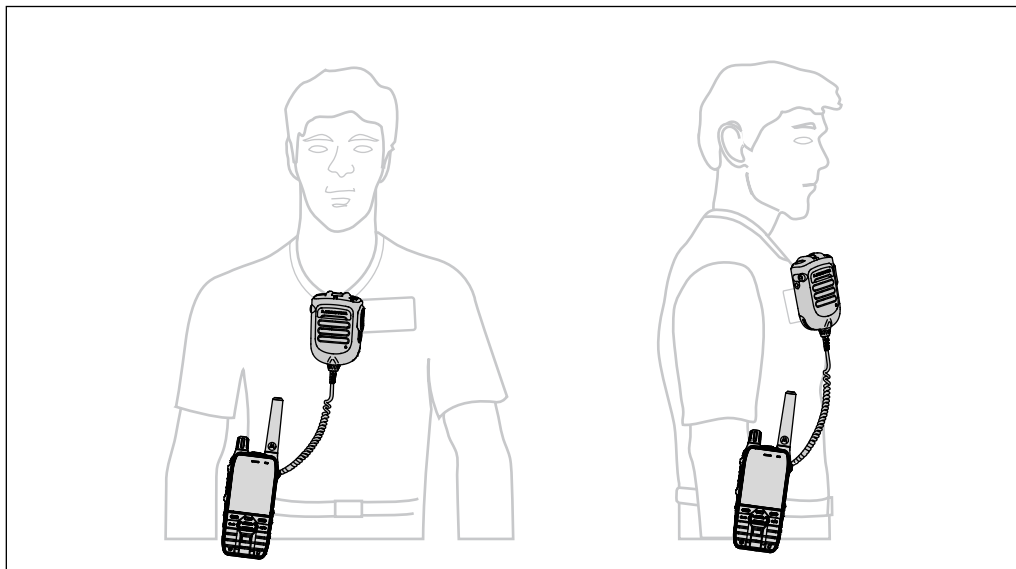
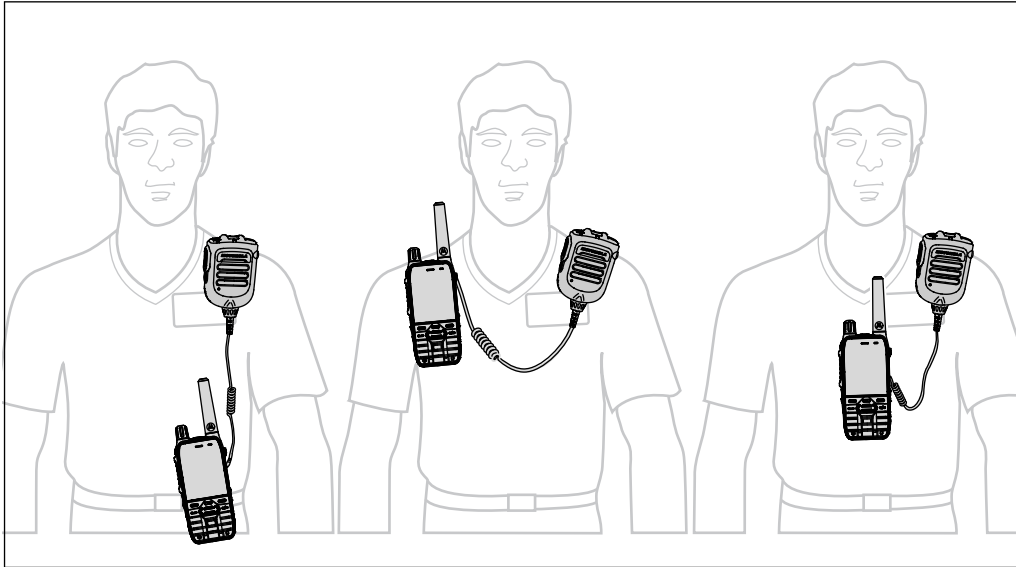



图 9：带短线的 RSM



 注释：翻领上推荐的对讲机佩戴位置仅适用于轻型对讲机。

5.6 电缆管理

本节介绍推荐的电缆位置。

图 10：推荐

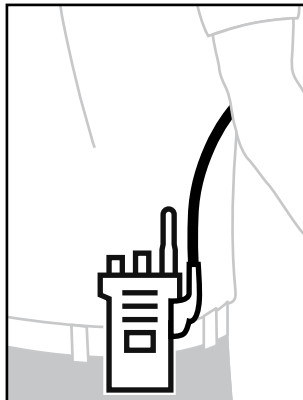
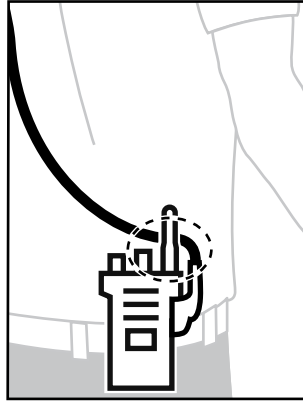


图 11：不推荐



为了确保最佳范围和用户体验，建议避免产生附件电缆与无线电天线交叉。

章节 6

NS750 Nexus RSM 接口

本节列出了连接到不同类型的辅助音频 Nexus 附件时的 Nexus RSM 接口说明。

图 12：Nexus 插头

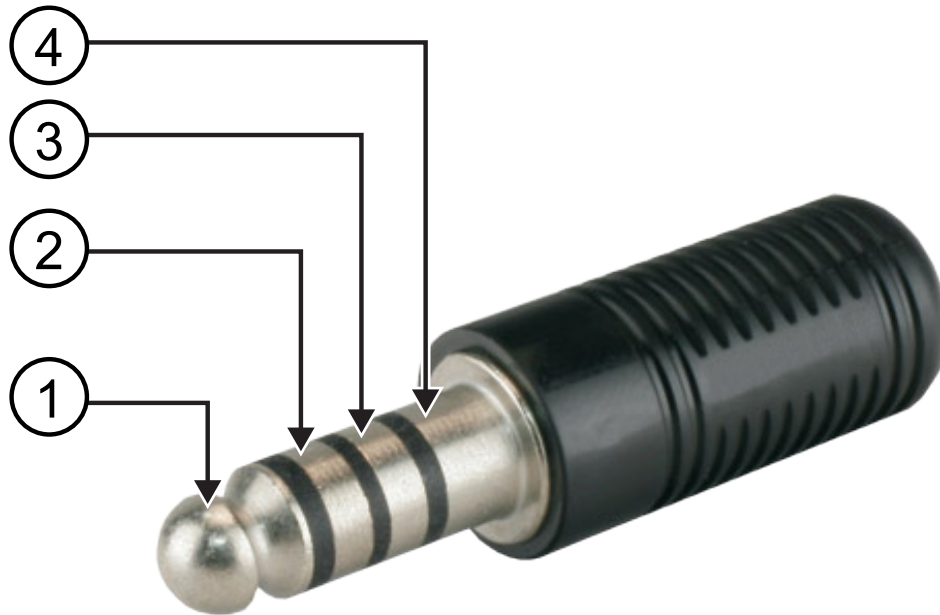


表 6：Nexus 插头

注解	Nexus 插头说明
1	尖头 (针脚 1)
2	环 1 (针脚 2)
3	环 2 (针脚 3)
4	套 (针脚 4)

表 7：NS750 Nexus RSM 接口

参数	值
驻极体麦克风 + DSP 处理器	
路径	路径 1

参数	值	
麦克风阻抗	打开	
麦克风检测电压 (引脚 2 到引脚 1 与参考电压 (1.1 V))	引脚 2 高于参考电压	
引脚引线	引脚引线分配	备注
引脚 1	接地	接地
引脚 2	麦克风+	> 1.1 V (高于参考电压)
引脚 3	未连接	不适用 (NA)
引脚 4	扬声器单端接	单端音频
RSM 中的麦克风增益	+6 dB	
建议麦克风组件灵敏度	驻极体麦克风, 采用 DSP 处理器	
扬声器阻抗	供应商确定	
Motorola Solutions 推荐的音频安全性	≈ <118 dB SPL (峰值)	
驻极体麦克风		
路径	路径 2	
麦克风阻抗	≈ <1 kΩ	
麦克风检测电压 (引脚 2 到引脚 1 与参考电压 (1.1 V))	引脚 2 低于参考电压	
引脚引线	引脚引线分配	备注
引脚 1	接地	接地
引脚 2	麦克风+	< 1.1 V (低于参考电压)
引脚 3	扬声器+	平衡音频
引脚 4	扬声器-	
RSM 中的麦克风增益	+22 dB	
建议麦克风组件灵敏度	驻极体麦克风 (≈ -60dB , 相对于 1V/Pa)	
扬声器阻抗	供应商确定	
Motorola Solutions 推荐的音频安全性	≈ <118 dB SPL (峰值)	
骨传导/加速计		
路径	路径 3	
麦克风阻抗	≈ <1 kΩ	
麦克风检测电压 (引脚 3 到引脚 1 与参考电压 (1.1 V))	引脚 3 低于参考电压	
引脚引线	引脚引线分配	备注

参数	值
针脚 1	接地
针脚 2	未连接
针脚 3	骨传导 麦克风
针脚 4	扬声器单端接
RSM 中的麦克风增益	+29 dB
建议麦克风 组件灵敏度	对振动敏感的阻抗麦克风
扬声器阻抗	供应商确定
Motorola Solutions 推荐的音频 安全性	$\approx <118$ dB SPL (峰值)

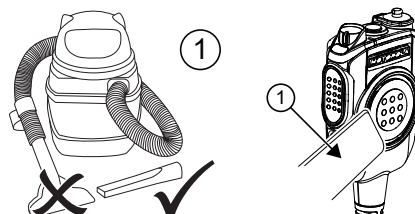
章节 7

清洁过程

本节提供有关远程扬声器麦克风 (RSM) 清洁过程的信息

多碎屑环境的可选步骤

在进行常规清洁之前，先对 RSM 的正面吸尘。



警告： 以下情况会使保修失效：

- 使用 4 hp/3 kW 以上的吸力。
- 除缝隙吸嘴之外的任何吸嘴。
- 任何其他清洁方法。

7.1

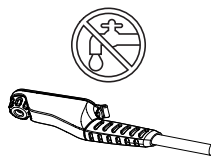
清洁过程

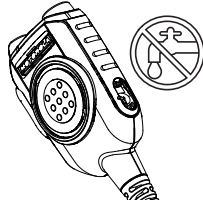
何时何处使用：



警告：

- 确保连接器干燥。
- 请勿将水注入 Nexus 插孔或音频插孔。
- 未插入耳机时，请用防尘罩盖住 Nexus 插孔或音频插孔。
- 如果有水进入 Nexus 插孔或音频插孔，请通过甩动远程扬声器麦克风 (RSM) 除水。

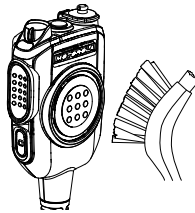




警告：只能使用洗碗皂和水。其他清洁剂可能会永久性损坏 RSM 外壳并使保修失效。浸泡时间不要超过 30 分钟。

步骤：

- 1 将一汤勺温和的洗碗剂混合到一加仑水 (0.5% 溶液) 中。
- 2 使用短毛尼龙硬刷薄薄地涂抹溶液。



警告：切勿让刷毛进入扬声器或麦克风端口区域，否则可能导致内部损坏并使保修失效。

- 3 用冷水完全冲洗 RSM，并用无绒软布彻底擦干。
- 4 握住 RSM，使其正面朝下，轻轻摇动几次，以清除扬声器开口或麦克风端口下方的水。

7.2 消毒和去污过程

Motorola Solutions 根据目前对 RSM 卫生的最佳理解，为您的 RSM 提供建议的清洁和消毒指南。

按照全球卫生机构的说法，清除表面的细菌、污垢和杂质可以降低传播感染的风险。您可以使用以下消毒剂或除污剂对 RSM 进行消毒：

- 擦拭消毒湿巾

章节 8

服务和保修

Motorola Solutions 提供标准 1 年保修。请联系您的 Motorola Solutions 经销商了解有关标准保修的详细信息。

相关详细信息

请联系 Motorola Solutions 授权经销商或访问 www.motorolasolutions.com。



NS750 IMPRES™ 全向性遠 端喇叭麥克風 PMMN4150 和 PMMN4151

7 月 2023 年

© 2023 Motorola Solutions, Inc. All rights reserved



MN009167A01-AE

安全與法律

本節提供本產品的安全與法律資訊。

智慧財產與法規聲明

著作權

本文件內描述之 Motorola Solutions 產品可能含有受著作權保護的 Motorola Solutions 電腦程式。根據美國及其他國家/地區的法律規定，Motorola Solutions 得享有受著作權保護電腦程式的特定專屬權利。因此，未取得 Motorola Solutions 書面明示同意，不得以任何方式複製或重製本文件描述之 Motorola Solutions 產品中的任何受著作權保護 Motorola Solutions 電腦程式。

未事先取得 Motorola Solutions, Inc. 書面同意，不得以任何形式或方式，將本文件的任何部分重製、傳送、儲存於檢索系統，或翻譯至任何語言或電腦程式語言。

商標

MOTOROLA、MOTO、MOTOROLA SOLUTIONS 和特殊格式之 M 標誌為 Motorola Trademark Holdings, LLC 的商標或註冊商標，且經授權後使用。所有其他商標為其個別所有人之財產。

授權權利

除因運用產品買賣法取得之一般非專屬、免授權金之使用授權外，不得認定為 Motorola Solutions 的著作權、專利或專利申請因 Motorola Solutions 產品之購買，而以直接或暗示、禁反言或其他方式授與購買者。

開放原始碼內容

本產品可能包含經授權後使用的開放原始碼軟體。請參閱產品安裝媒體以取得完整的開放原始碼法律聲明與歸屬內容。

歐盟 (EU) 和英國 (UK) 廢電子及電器設備 (WEEE) 指令



■ 歐盟的 WEEE 指令和英國的 WEEE 規範規定銷入歐盟國家/地區和英國的產品必須加上垃圾桶打叉的標籤 (或某些情況下，在外包裝上)。依照 WEEE 指令的定義，這個垃圾桶打叉的標籤表示歐盟國家/地區和英國的客戶及使用者不應將電器及電子設備或配件當成家庭廢棄物處理。

歐盟國家/地區和英國的客戶或使用者應與當地設備供應商代表或維修中心聯絡，以取得有關當地廢棄物回收系統的相關資訊。

免責聲明

請注意，本文件中描述的某些特性、設施和功能可能不適用於特定系統或未授權在特定系統上使用，或取決於特定車裝台用戶單元的特性或某些參數配置。請洽詢您的 Motorola Solutions 聯絡人以取得更多資訊。

© 2023 Motorola Solutions, Inc. 版權所有

手提台雙向無線電的 RF 能量暴露與產品安全指南

注意：

使用此配件之前，請先閱讀本指南，內容包含安全使用的重要操作指示、RF 能量注意事項，以及符合適用標準及規範的控管要求。

遠端喇叭麥克風 (RSM) 連接至無線電時，僅限職業用途使用，以符合 FCC/ICNIRP RF 能量暴露要求。使用本產品之前，請先閱讀無線電隨附的《產品安全與 RF 暴露手冊》中所包含的 RF 能量注意事項以及操作指示，以確保遵循 RF 能量暴露限制。

如需有關無線電相容性的資訊，請參閱 [無線電相容性 頁數 7](#)。

聽力安全

長時間暴露在任何來源的大音量噪音中，可能會造成暫時性或永久性的聽力影響。無線電的音量越大，影響聽力所需要的時間越短。初期有時不易察覺聽力因接觸大音量噪音受損，但是受損情況會逐漸加劇。若要保護您的聽力：

- 使用最低所需音量來執行您的工作。
- 只在吵雜環境中提高音量。
- 戴上耳機前請先降低音量。
- 限制以高音量使用耳機的時間。
- 在未搭配耳機的情況下使用無線電時，請勿將無線電喇叭直接對準您的耳朵。
- 如果您覺得聽力不適、耳鳴或是對話聲模糊不清，應該停止使用耳機收聽無線電，並請醫生檢查您的聽力。若要變更音量，請參閱《無線電產品安全資訊單》或《監聽超大聲 (xL) 套件組態的客戶程式設定軟體 (CPS)》。

認證標記



聯絡地址

歐盟聯絡方式

Motorola Solutions,
Czerwone Maki 82,
30-392 Krakow, Poland

英國聯絡方式

Motorola Solutions UK Ltd.,
Nova South, 160 Victoria Street,
London, SW1E 5LB,
United Kingdom

聯絡我們

集中式管理支援作業 (CMSO) 是貴組織與 Motorola Solutions 的服務合約中包含之技術支援的主要聯絡窗口。

當遇到其合約之「客戶責任」下列出的所有情況時，服務合約客戶務必致電 CMSO，例如：

- 確認疑難排解結果與分析之後再採取措施

貴組織收到了適用於您所在地區及服務合約的支援電話號碼及其他聯絡資訊。請使用該聯絡資訊，以便取得最有效的回應。但是，如有必要，您也可透過下列步驟在 Motorola Solutions 網站上找到一般支援聯絡資訊：

- 1 在您的瀏覽器中輸入 motorolasolutions.com。
- 2 確保貴組織的國家或地區顯示在頁面上。按一下或點選該區域名稱，可提供予以變更的方法。
- 3 在 motorolasolutions.com 頁面上選取「Support」。

意見

對於使用者文件如有任何問題或意見，請寄送至 documentation@motorolasolutions.com。

回報文件錯誤時，請提供下列資訊：

- 文件標題與零件編號
- 出現錯誤的頁碼或章節標題
- 錯誤的描述

Motorola Solutions 提供各種不同的課程，旨在協助您瞭解此系統。如需相關資訊，請前往 <https://learning.motorolasolutions.com> 以檢視目前提供課程和技術路徑。

圖示慣例

本文件集的設計目的是要提供讀者更多視覺提示。整份文件集均採用下列圖形圖示。



危險: 訊號字「危險」及相關的安全圖示代表，如果您忽略這項資訊，將會導致死亡或嚴重傷害。



警告: 訊號字「警告」及相關的安全圖示代表，如果您忽略這項資訊，可能會導致死亡或嚴重傷害，或產品嚴重損壞。



注意: 訊號字「注意」及相關的安全圖示代表，如果您忽略這項資訊，可能會導致輕微或普通傷害，或產品嚴重損壞。

注意: 訊號字「注意」可能會在沒有安全圖示的情況下使用，這表示可能會導致與產品無關的損壞或傷害。



重要事項: 「重要」聲明包含對討論重要的資訊，但不是「注意」或「警告」。「重要」聲明沒有相關的警告等級。



附註: 「注意事項」所包含的資訊會比前後的文字更重要，例如例外狀況或先決條件。此外，它們也會提供讓讀者取得其他資訊的位置、提醒讀者如何完成某項動作 (例如，當某項動作不屬於目前的程序時)，或告知讀者某個項目在螢幕上的位置。「注意事項」沒有相關的警告等級。

目錄

安全與法律	2
智慧財產與法規聲明.....	2
手提台雙向無線電的 RF 能量暴露與產品安全指南.....	3
聽力安全.....	3
Conformity Markings.....	3
聯絡地址.....	3
聯絡我們	4
圖示慣例	5
章 1：遠端喇叭麥克風概觀	7
1.1 無線電相容性.....	7
1.2 核准配件.....	8
1.3 替換零件.....	8
章 2：音訊路由優先順序	9
2.1 音訊切換提醒警報.....	9
章 3：操作指示	10
3.1 連接與卸下遠端喇叭麥克風 (RSM).....	10
章 4：建議的話機設定	11
章 5：建議實務	12
5.1 從遠端喇叭麥克風 (RSM) 接收.....	12
5.2 從遠端喇叭麥克風 (RSM) 傳輸.....	12
5.3 音訊插孔使用.....	13
5.3.1 開啟和關閉音訊插孔蓋.....	13
5.3.2 插入和卸下音訊插孔.....	13
5.4 Nexus 插孔.....	14
5.5 建議的佩戴位置.....	15
5.6 纜線整理.....	16
章 6：NS750 Nexus RSM 介面	18
章 7：清潔程序	21
7.1 清潔程序.....	21
7.2 消毒劑和除污劑程序.....	22
章 8：維修與保固	23

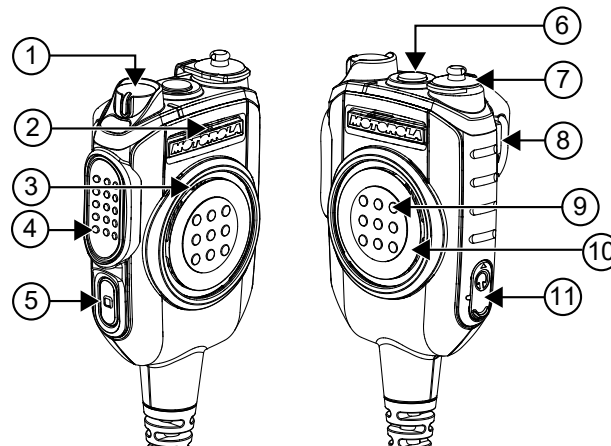
章 1

遠端喇叭麥克風概觀

本手冊適用於下列遠端喇叭麥克風 (RSM)：

- PMMN4150 - NS750 IMPRES™ 全向性遠端喇叭麥克風 (附長纜線)
- PMMN4151 - NS750 IMPRES™ 全向性遠端喇叭麥克風 (附短纜線)

圖 1：RSM 概觀



項目	說明
1	音訊切換旋鈕
2	Omni 麥克風
3	喇叭
4	側邊即按即說 (PTT) 按鈕
5	1 點可程式設定按鈕
6	配件橘色按鈕
7	Nexus 插孔
8	腰帶固定夾
9	正面 PTT 按鈕
10	正面 PTT 撥片標籤位置
11	3.5 公釐音訊插孔 ¹

1.1

無線電相容性

下列無線電與遠端喇叭麥克風 (RSM) 相容：

- MOTOTRBO R7 - 需要韌體 R02.22.03.1001 和更新版本

¹ 3.5 公釐音訊插孔僅與 PMLN7188_ 套件相容

- MXP600 - 需要韌體 R55.XX0.9840 和更新版本

1.2

核准配件

本節提供可搭配遠端喇叭麥克風 (RSM) 使用的核准配件清單。

耳機

表 1：耳機

零件編號	描述
PMLN7188_	具透明管的 ATEX 3.5 公釐接收專用耳機

音訊 Nexus 配件

表 2：音訊 Nexus 配件

零件編號	描述
GMMN4585_ ^{2,3}	Savox HC-1 安全帽通訊
GMMN4584_ ^{2,3}	Savox HC-2 安全帽通訊
PMLN8265_ ^{2,3}	搭配 Nexus 的頭戴式耳機
PMLN8266_ ^{2,3}	搭配 Nexus 的頸掛式耳機
PMLN8267_ ^{2,3}	搭配 Nexus 的安全帽耳機

因相容性並未經過測試，恕無法保證其他連接至 RSM 之 Nexus 插頭配件其音訊效能。為獲得最佳效能，請將 Nexus 配件纜線遠離無線電天線。

1.3

替換零件

您的 RSM 無法維修。您可向 Motorola Solutions 訂購下列選購配件與替換零件。

表 3：替換零件

零件編號	描述
0104068J78_	腰帶固定夾
PMLN8464_	替換用正面 PTT 撥片標籤 (綠色)
PMLN8465_	替換用正面 PTT 撥片標籤 (藍色)
PMLN8466_	替換用正面 PTT 撥片標籤 (紅色)
PMLN8468_	替換用正面 PTT 撥片標籤 (黃色)
PMLN8469_	替換用正面 PTT 撥片標籤 (銀色)
PMLN8523_	替換用正面 PTT 撥片標籤 (橘色)

² 音訊 Nexus 配件為非 UL 核准配件。

³ 搭配 RSM 使用時，系統等級為非 UL。

章 2

音訊路由優先順序

圖 2：音訊路由

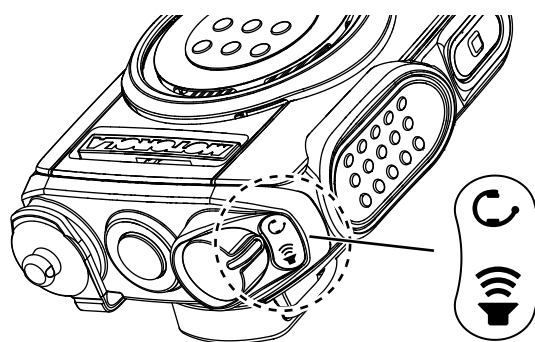





表 4：音訊路由優先順序


切換模式	組態	傳輸 (Tx) 路由	接收 (Rx) 路由
 RSM 或使用 SAA 插孔	僅 RSM	RSM	RSM
	RSM 搭配 Nexus SAA	Nexus SAA	Nexus SAA
	RSM 搭配 3.5 公釐 SAA + Nexus SAA	Nexus SAA	Nexus SAA
	RSM 搭配 3.5 公釐 SAA	RSM	3.5 公釐 SAA
 僅 RSM	僅 RSM	RSM	RSM
	RSM 搭配 Nexus SAA	RSM	RSM
	RSM 搭配 3.5 公釐 SAA + Nexus SAA	RSM	RSM
	RSM 搭配 3.5 公釐 SAA	RSM	RSM

2.1

音訊切換提醒警報

本節提供音訊切換提醒警報的相關資訊。

音訊路由切換至  模式時，連線的 Nexus 配件中會聽到脈衝式聽覺警報。

作為安全功能的一部分，為防止誤認或忘記聲音切換，聽覺警報一律會啟用。建議您在配戴 Nexus 配件時，將音訊切換至  模式進行操作。

章 3

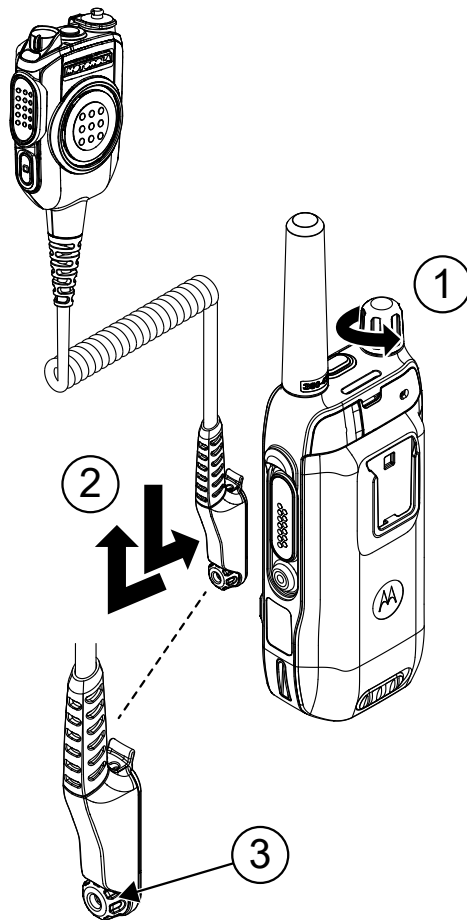
操作指示

本節提供如何使用遠端喇叭麥克風的準則。

3.1

連接與卸下遠端喇叭麥克風 (RSM)

使用時機與地點：



項目	描述
1	關閉無線電。
2	鎖緊或鬆開螺絲，以連接或從無線電卸下 RSM。
3	手轉螺絲

章 4

建議的話機設定



附註: 僅適用於 MOTOTRBO R7 無線電。

主目錄→實用工具→話機設定

表 5：話機設定

話機設定	建議設定
AF 抑制器	已啟用
音訊喜好設定	初始設定
Intelligent Audio	已啟用
麥克風 AGC-D	已啟用
雜訊抑制器	已啟用
直通	已啟用

章 5

建議實務

本節提供遠端喇叭麥克風 (RSM) 建議實務的相關資訊。

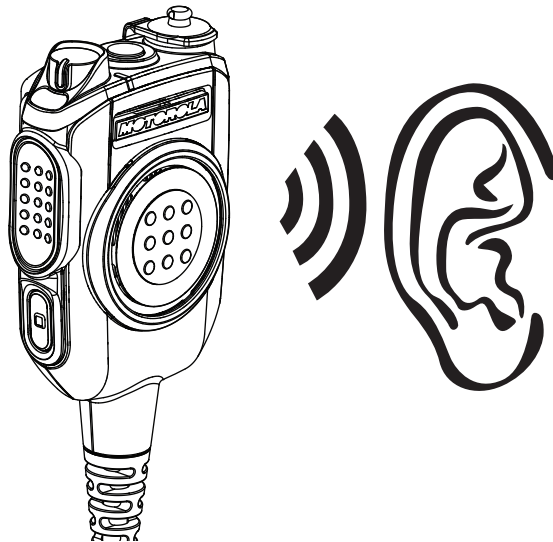
5.1

從遠端喇叭麥克風 (RSM) 接收

程序：

如需詳細資訊，請參閱 [音訊路由優先順序](#) 頁數 9。

圖 3：從 RSM 接收



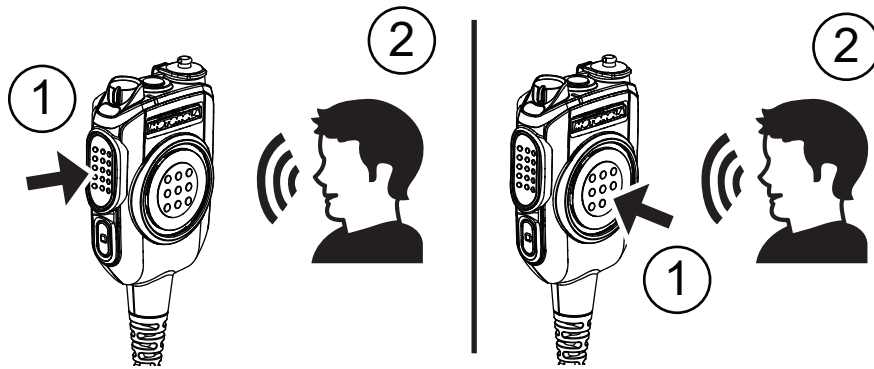
5.2

從遠端喇叭麥克風 (RSM) 傳輸

程序：

- 1 按住 PTT 按鈕。
- 2 緊貼麥克風對話，以獲得最佳清晰度效能。

圖 4：從 RSM 傳輸



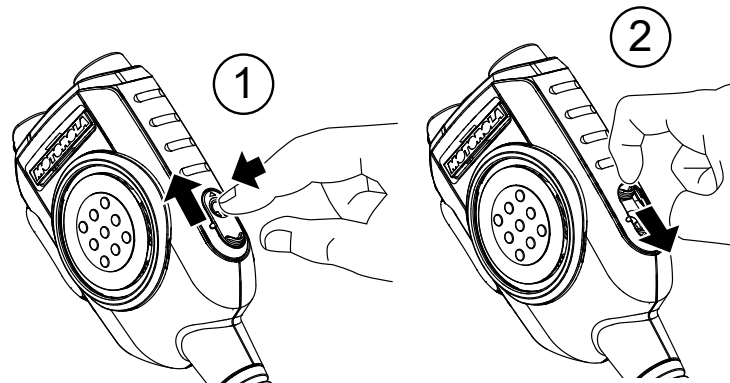
5.3 音訊插孔使用

本節提供音訊插孔最佳實務的相關資訊。

- 使用前，請先清潔或移除音訊插孔上的任何異物。
- 未插入時，請用防塵蓋蓋住音訊插孔。

5.3.1 開啟和關閉音訊插孔蓋

使用時機與地點：



項目	描述
1	推動並滑動蓋子
2	滑動蓋子

5.3.2 插入和卸下音訊插孔

使用時機與地點：

圖 5：插入音訊插孔

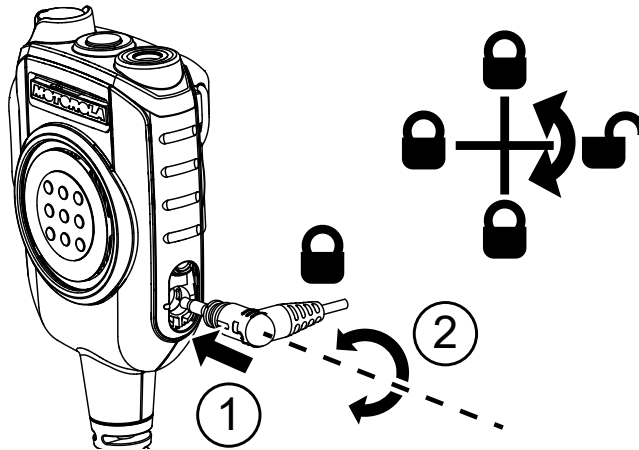
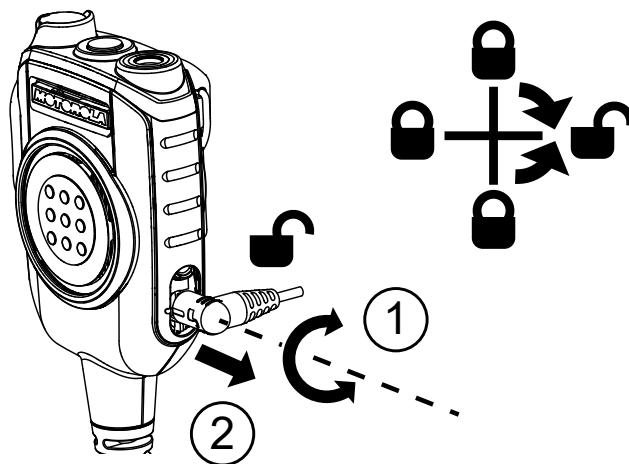


圖 6：拔出音訊插孔



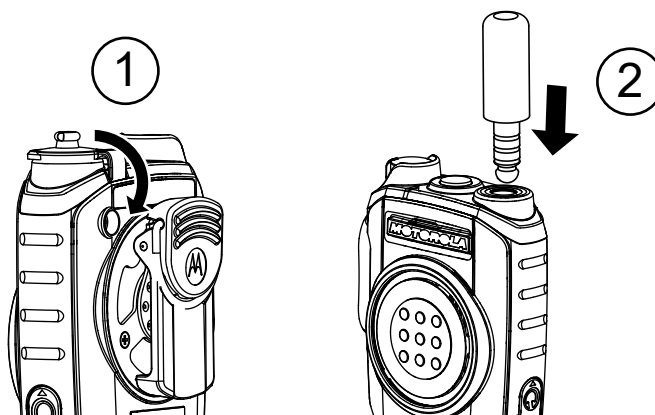
5.4

Nexus 插孔

本節提供 Nexus 插孔最佳實務的相關資訊

- 使用前，請先清潔或移除插孔上的任何異物。
- 未插入時，請用防塵蓋蓋住 Nexus 插孔。

圖 7：插入 Nexus 插孔



附註：建議您先關閉無線電，再插入或拔除 Nexus 配件。

5.5

建議的佩戴位置

本節說明建議的遠端喇叭麥克風 (RSM) 佩戴位置。

圖 8：搭配長纜線的 RSM

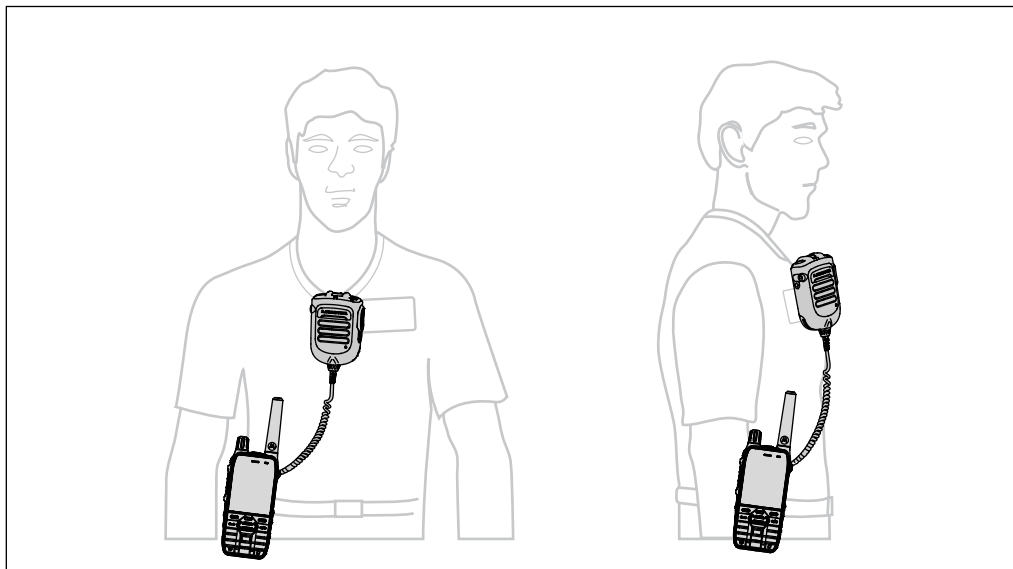
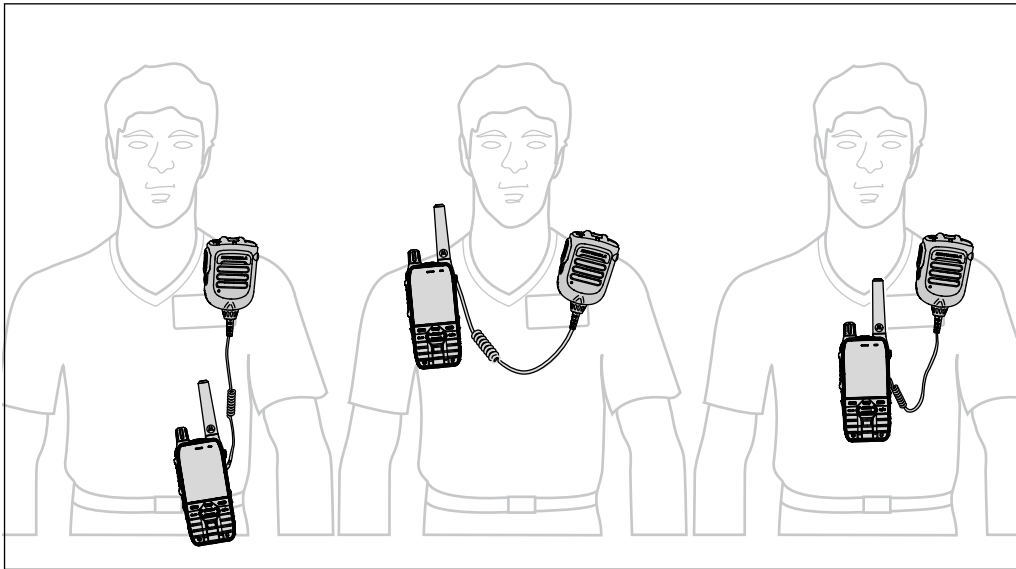


圖 9：搭配短纜線的 RSM



附註：建議配戴在領夾的無線電僅適用於輕型無線電。

5.6 纜線整理

本節說明建議的纜線位置。

圖 10：建議

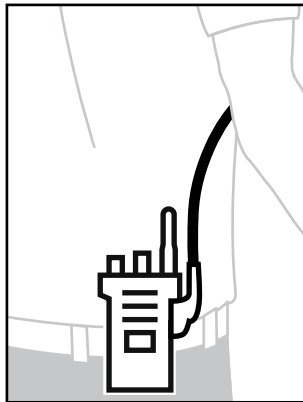
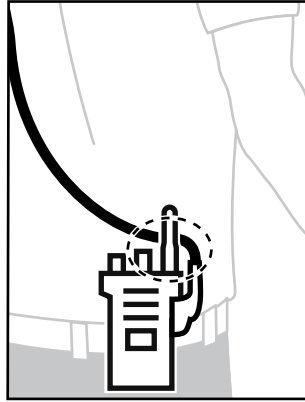


圖 11：不建議



為確保最佳範圍和使用者體驗，建議避免配件纜線與無線電天線互相交錯。

章 6

NS750 Nexus RSM 介面

本節就 Nexus RSM 介面連線至各類型次要音訊 Nexus 配件的情形，列出相關說明。

圖 12：Nexus 插頭

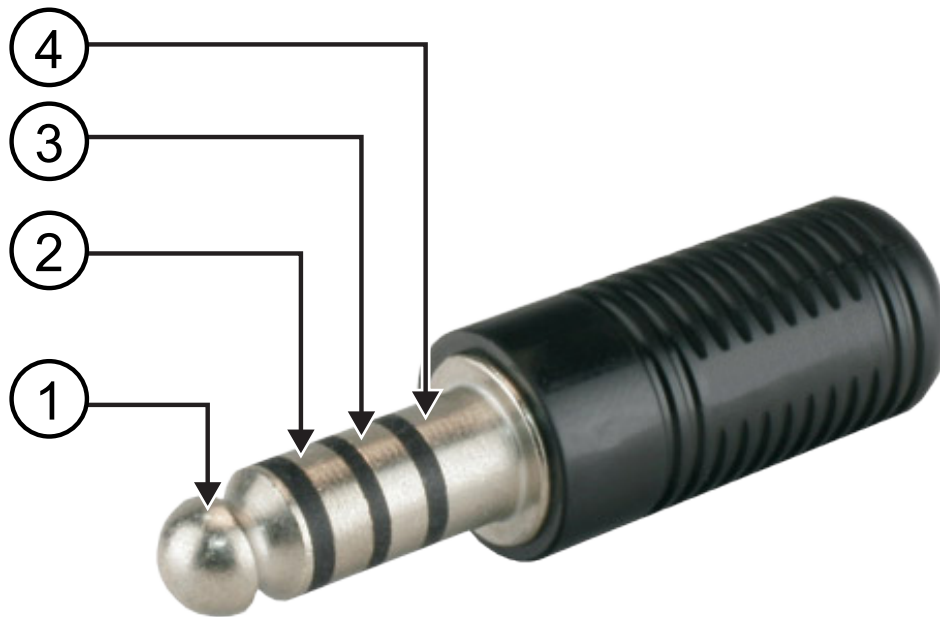


表 6：Nexus 插頭

註解	Nexus 插頭說明
1	頭 (針腳 1)
2	環 1 (針腳 2)
3	環 2 (針腳 3)
4	套筒 (針腳 4)

表 7：NS750 Nexus RSM 介面

參數	值
駐極體麥克風 + DSP 處理器	
路徑	路徑 1

參數	值	
麥克風阻抗	開啟	
麥克風偵測電壓 (針腳 2 至針腳 1 相較於電壓基準 (1.1 V))	針腳 2 會高於電壓基準	
針腳輸出	針腳輸出指派	備註
針腳 1	GND	GND
針腳 2	麥克風+	> 1.1 V (高於電壓基準)
針腳 3	未連線	不適用 (NA)
針腳 4	喇叭單端輸出	單端輸出音訊
RSM 的麥克風增益	+6 dB	
建議的麥克風元件敏感度	駐極體麥克風與 DSP 處理器	
喇叭阻抗	依供應商而定	
Motorola Solutions 建議的音訊安全性	≈ <118 dB SPL (峰值)	
駐極體麥克風		
路徑	路徑 2	
麥克風阻抗	≈ <1 kΩ	
麥克風偵測電壓 (針腳 2 至針腳 1 相較於電壓基準 (1.1 V))	針腳 2 會低於電壓基準	
針腳輸出	針腳輸出指派	備註
針腳 1	GND	GND
針腳 2	麥克風+	< 1.1 V (會低於電壓基準)
針腳 3	喇叭+	平衡音訊
針腳 4	喇叭-	
RSM 的麥克風增益	+22 dB	
建議的麥克風元件敏感度	駐極體麥克風 (≈ -60dB 相對於 1V/Pa)	
喇叭阻抗	依供應商而定	
Motorola Solutions 建議的音訊安全性	≈ <118 dB SPL (峰值)	
骨傳導/加速度計		
路徑	路徑 3	
麥克風阻抗	≈ <1 kΩ	
麥克風偵測電壓 (針腳 3 至針腳 1 相較於電壓基準 (1.1 V))	針腳 3 會低於電壓基準	
針腳輸出	針腳輸出指派	備註

參數	值	
針腳 1	GND	GND
針腳 2	未連線	不適用 (NA)
針腳 3	骨傳導 麥克風	< 1.1 V (會低於電壓基準)
針腳 4	喇叭單端輸出	單端輸出音訊
RSM 的麥克風增益	+29 dB	
建議的麥克風 元件敏感度	震動敏感度、阻抗麥克風	
喇叭阻抗	依供應商而定	
Motorola Solutions 建議的音訊 安全性	≈ <118 dB SPL (峰值)	

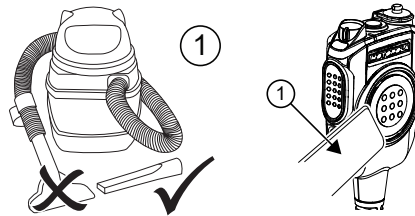
章 7

清潔程序

本節提供遠端喇叭麥克風 (RSM) 清潔程序的相關資訊

高粉塵環境的選用步驟

進行一般清潔前，請先用吸塵器清潔 RSM 的正面表面。



警告：下列事項會使保固失效：

- 使用超過 4 hp/3 kW 的吸塵器。
- 狹縫吸頭以外的任何吸頭。
- 任何其他清潔方法。

7.1

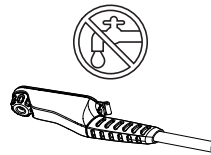
清潔程序

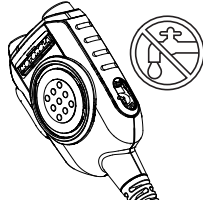
使用時機與地點：



警告：

- 確保連接器並未弄濕。
- 請勿將水注入 Nexus 插孔或音訊插孔。
- 未插入耳機時，請用防塵蓋蓋住 Nexus 插孔或音訊插孔。
- 如果水進入 Nexus 插孔或音訊插孔，請搖晃遠端喇叭麥克風 (RSM) 把水甩乾。

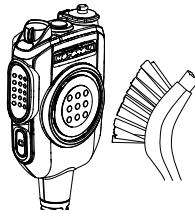




警告：請僅使用洗碗精和清水。其他清潔溶液可能會永久損壞 RSM 外殼，且會使保固失效。請勿浸泡超過 30 分鐘。

程序：

- 1 將一茶匙中性洗碗精與一加侖水混合 (0.5 % 溶液)。
- 2 使用硬質尼龍短毛刷少量塗抹清潔液。



警告：請勿讓刷毛進入喇叭或麥克風的连接埠區域，這可能會造成內部損壞，並使保固失效。

- 3 用冷水充分潤濕 RSM，並用無棉絮軟布徹底擦乾。
- 4 握住 RSM，使正面表面朝下，輕輕搖晃數次，以清除喇叭開口或麥克風連接埠下方可能有的水。

7.2

消毒劑和除污劑程序

Motorola Solutions 會根據目前的 RSM 衛生狀況並在充分了解後，為您的 RSM 提供建議的清潔與消毒準則。

根據全球衛生主管機關規定，清除表面的微生物、污垢和雜質可降低感染擴散的風險。您可以使用以下消毒劑或除污劑消毒 RSM：

- Dewipe 除污紙巾

章 8

維修與保固

Motorola Solutions 提供標準一年保固。請聯絡 Motorola Solutions 經銷商以取得標準保固的詳細資訊。

如需詳細資訊

請聯絡 Motorola Solutions 授權代理商或造訪我們的網站：www.motorolasolutions.com。



NS750 IMPRES™ 全方向性 リモート スピーカ マイク PMMN4150 および PMMN4151

7 月 2023 年

© 2023 Motorola Solutions, Inc. All rights reserved



MN009167A01-AE

安全と法律

このセクションでは、本製品の安全と法律情報について説明します。

知的財産および規制に関するご注意

著作権

本書に記載されている Motorola Solutions 製品には、著作権取得済み Motorola Solutions コンピュータプログラムが含まれている場合があります。米国およびその他諸国の法律で、著作権取得済みコンピュータプログラムの一定の独占権が Motorola Solutions のために保護されています。したがって、本書で説明される Motorola Solutions 製品に含まれるいかなる著作権取得済み Motorola Solutions コンピュータプログラムも、Motorola Solutions からの書面による明確な許可なしに、いかなる方法においても複製または複写してはなりません。

本書のいかなる部分についても、いかなる形式であろうと、いかなる手段によっても、Motorola Solutions, Inc. からの事前の書面による許可なしに複製、転送、情報検索システムへの格納、あらゆる言語への翻訳、コンピュータ言語への変換をしてはいけません。

商標

MOTOROLA、MOTO、MOTOROLA SOLUTIONS、および図案化された M ロゴは、Motorola Trademark Holdings, LLC の商標または登録商標であり、ライセンスの下で使用されます。その他のすべての商標は、該当する各所有者が権利を有しています。

ライセンスの権利

Motorola Solutions 製品の購入は、直接的あるいは黙示的、禁反言的、またはその他の方法によって、Motorola Solutions の著作権、特許または特許申請の対象となる一切のライセンスを付与するものとはみなされないものとします。ただし、製品の販売において法の運用によって生じる通常の非独占的、ロイヤルティ不要の使用ライセンスについては、この限りではありません。

オープン ソース コンテンツ

この製品には、ライセンスの下で使用されるオープン ソース ソフトウェアが含まれている場合があります。オープン ソースの法的通知および帰属の内容については、製品のインストール メディアを参照してください。

欧州連合 (EU) および英国 (UK) の電気電子廃棄物 (WEEE) 指令



■ 欧州連合の WEEE 指令および英国の WEEE 規制では、EU 諸国および英国に販売される製品 (場合によってはパッケージ) に車輪付きゴミ箱への投入禁止ラベルを貼ることを要求しています。WEEE 指令で規定されるとおり、この車輪付きゴミ箱への投入禁止ラベルは、EU 諸国と英国の顧客とエンドユーザーが、電気および電子機器またはアクセサリを生活廃棄物として廃棄してはならないことを意味します。

EU 諸国と英国の顧客またはエンドユーザーは、自国の廃棄物収集システムについて、地元の機器販売代理店またはサービス センターに問い合わせる必要があります。

免責条項

特定のシステムに対して、本書で説明する特定の機能、設備、性能が適用されない、またはライセンス付与されない場合や、特定のモバイル加入者ユニットの特性や特定のパラメータの設定に依存する場合があります。詳細については、Motorola Solutions の担当者にご確認ください。

© 2023 Motorola Solutions, Inc. 無断複写、転載を禁じます。

携帯型業務用無線機に関する RF エネルギー被爆および製品の安全に関するガイド

注意：

本アクセサリのご使用前に、この説明書をよくお読みください。安全にお使いいただくための取り扱い方法と、電磁波エネルギーについての重要な説明が記載されています。また、電磁波エネルギー被曝限度についての該当基準および法規制に対する適合情報の説明も記載されています。

このリモート スピーカ マイク (RSM) をこの無線機に取り付けている際は、FCC/ICNIRP RF の電磁波エネルギー被曝要件に準拠した業務用の利用に限定されています。本製品をご使用になる前に、無線機に付属している製品の安全と電磁波被曝に関する冊子に記載されている電磁波エネルギー認識情報と操作説明書をご一読いただき、電磁波エネルギー被曝限度を確実に順守してください。

無線機の互換性については、「[無線機の互換性 ページ 9](#)」を参照してください。

聴覚の安全性

音源を問わず、大音量の音に長時間さらされた場合、聴力が一時的または恒久的に影響を受ける場合があります。無線機の音量が大きいとそれだけ、短時間で聴力が影響を受けます。大音量の音による聴覚障害は、最初は自覚症状がない場合があります。その影響は累積的である可能性があります。聴力を保護するため、次の点をお守りください。

- 必要最低限の音量で使用してください。
- 周囲の音が大きいため聞き取りにくい場合にのみ、音量を上げてください。
- ヘッドセットまたはイヤピースを装着する前に、音量を下げてください。
- 長時間、大音量でヘッドセットやイヤピースを使用しないでください。
- ヘッドセットやイヤピースを使わずに無線機を使用する場合、耳に直接スピーカを当てないでください。
- 不快な音が聞こえる、耳鳴りがする、または声が聞こえづらい場合は、ヘッドセットまたはイヤピースを通じて無線機の音を聞くのを止め、聴覚について医師の診断を受けてください。音量レベルを変更するには、『無線機製品の安全に関するリーフレット』または『Customer Programming Software (CPS) 向け監視用特大音量 (xL) キットの構成』を参照してください。

認定マーク



連絡先住所

欧州連合連絡先
Motorola Solutions,

MN009167A01-AE
安全と法律

Czerwone Maki 82,
30-392 Krakow, Poland

イギリス連絡先
Motorola Solutions UK Ltd.,
Nova South, 160 Victoria Street,
London, SW1E 5LB,
United Kingdom

お問い合わせ

集中管理サポートセンター (CMSO) は、Motorola Solutions とお客様の組織のサービス契約に含まれているテクニカル サポートの主連絡先となります。

サービス契約のお客様は、契約内のお客様の責任に記載されている状況 (たとえば、次のような状況) になった場合はいずれの状況でも、CMSO に必ずご連絡ください。

- アクションをとる前に、トラブルシューティングの結果と分析を確認する

組織には、地域およびサービス契約に適したサポート電話番号およびその他の連絡先情報が提供されています。その連絡先情報を使用するのが最も効率的な対応方法です。ただし、必要に応じて、Motorola Solutions の Web サイトで一般的なサポート連絡先情報を、次の手順に従って検索することもできます。

- 1 ブラウザで、「motorolasolutions.com」と入力します。
- 2 お客様の組織の国または地域がページに表示されていることを確認します。地域の名前をクリックまたはタップして、地域を変更できます。
- 3 motorolasolutions.com ページで [Support] を選択します。

コメント

ユーザー ドキュメントに関するご質問やご意見は、documentation@motorolasolutions.com までお送りください。

ドキュメントの不備を報告する場合は、次の情報を提供してください。

- ドキュメントのタイトルと部品番号
- 不備のあるセクションのページ番号またはタイトル
- 不備に関する説明

Motorola Solutions では、システムの習得を支援するためのさまざまなコースを提供しています。詳細については、<https://learning.motorolasolutions.com> にアクセスして、最新のコース内容とテクノロジーパスを参照してください。

アイコン表記

このドキュメント一式では、視覚的にわかりやすくする工夫が施されています。ドキュメント一式の全体を通じて、次のグラフィックアイコンが使用されています。



危険：「危険」というキーワードとそれに対応する安全アイコンの組み合わせは、従わなかった場合、死亡または重大な傷害を負うことになる情報を意味します。



警告：「警告」というキーワードとそれに対応する安全アイコンの組み合わせは、従わなかった場合、死亡または重大な傷害を負う可能性、あるいは製品の重大な破損が発生する可能性のある情報を意味します。



注意：「注意」というキーワードとそれに対応する安全アイコンの組み合わせは、従わなかった場合、軽度または中程度の傷害を負う可能性、あるいは製品の重大な破損が発生する可能性のある情報を意味します。

注意：「注意」というキーワードを安全アイコンなしに使用して、製品と関係のない破損または傷害が発生する可能性があることを意味する場合があります。



重要：「重要」として示された文には、そこで説明されている事項において重要であるが、「注意」や「警告」ではない情報が記載されています。「重要」として示された文には、警告レベルはありません。



注：「注」には、例外や前提条件など、前後のテキストより重要な情報が記載されています。また、読者に詳細情報の参照先を紹介したり、操作の完了方法を再確認したり（現在説明している手順の一部でない場合など）、特定の画面要素が画面のどこに表示されているのか示したりすることもあります。「注」には、警告レベルはありません。

目次

安全と法律.....	2
知的財産および規制に関するご注意.....	2
携帯型業務用無線機に関する RF エネルギー被爆および製品の安全に関するガイド.....	3
聴覚の安全性.....	3
Conformity Markings.....	3
連絡先住所.....	3
お問い合わせ.....	5
アイコン表記.....	6
章 1: リモート スピーカ マイクの概要.....	8
1.1 無線機の互換性.....	9
1.2 認定アクセサリ.....	9
1.3 交換部品.....	10
章 2: オーディオ ルーティングの優先順位付け.....	11
2.1 オーディオ切り替えリマインダ アラーム.....	11
章 3: 取り扱い説明.....	13
3.1 リモート スピーカ マイク (RSM) の取り付けと取り外し.....	13
章 4: 無線機の推奨設定.....	14
章 5: 推奨される操作.....	15
5.1 リモート スピーカ マイク (RSM) からの受信.....	15
5.2 リモート スピーカ マイク (RSM) からの送信.....	15
5.3 オーディオ ジャックの使用.....	16
5.3.1 オーディオ ジャック カバーの開閉.....	16
5.3.2 オーディオ ジャックの挿入と取り外し.....	16
5.4 Nexus ジャック.....	17
5.5 推奨される装着位置.....	18
5.6 ケーブルの管理.....	19
章 6: NS750 Nexus RSM インタフェース.....	21
章 7: クリーニング手順.....	24
7.1 クリーニング手順.....	24
7.2 消毒および汚染除染手順.....	25
章 8: サービスと保証.....	26

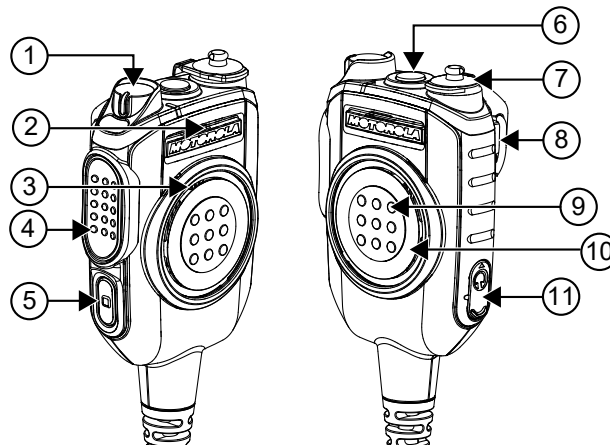
章 1

リモート スピーカ マイクの概要

このマニュアルは、以下のリモート スピーカ マイク (RSM) に適用されます。

- PMMN4150 - NS750 IMPRES™ 全方向性リモート スピーカ マイク (ロング ケーブル付属)
- PMMN4151 - NS750 IMPRES™ 全方向性リモート スピーカ マイク (ショート ケーブル付属)

図 1: RSM の概要



項目	説明
1	オーディオ切り替えノブ
2	全方向性マイク
3	スピーカ
4	サイド プッシュトゥーク (PTT) ボタン
5	1 ドット プログラム可能ボタン
6	アクセサリ オレンジ ボタン
7	Nexus ジャック
8	ベルト クリップ
9	フロント PTT ボタン
10	フロント PTT パドル ラベルの配置
11	3.5mm オーディオ ジャック ¹

¹ 3.5mm オーディオ ジャックは PMLN7188_ キットのみと互換性があります

1.1

無線機の互換性

次の無線機は、リモート スピーカ マイク (RSM) と互換性があります。

- MOTOTRBO R7 - ファームウェア R02.22.03.1001 以降が必要です
- MXP600 - ファームウェア R55.XX0.9840 以降が必要です

1.2

認定アクセサリ

このセクションでは、リモート スピーカ マイク (RSM) で使用する認定アクセサリのリストを提供します。

イヤピース

表 1: イヤピース

部品番号	説明
PMLN7188_	ATEX 3.5mm 受信限定イヤピース、透明チューブ付き

オーディオ Nexus アクセサリ

表 2: オーディオ Nexus アクセサリ

部品番号	説明
GMMN4585_ ^{2,3}	Savox HC-1 ヘルメット通信
GMMN4584_ ^{2,3}	Savox HC-2 ヘルメット通信
PMLN8265_ ^{2,3}	ヘッドバンド ヘッドセット (Nexus 付属)
PMLN8266_ ^{2,3}	ネックバンド ヘッドセット (Nexus 付属)
PMLN8267_ ^{2,3}	ヘルメット ヘッドセット (Nexus 付属)

RSM に接続されるその他の Nexus プラグ アクセサリのオーディオ性能は、互換性がテストされていないため保証されません。パフォーマンスを最適化するには、Nexus アクセサリ ケーブルを無線アンテナから離して設置してください。

² オーディオ Nexus アクセサリは、非 UL 認定のアクセサリです。

³ RSM と併用する場合、システムレベルは非 UL です。

1.3

交換部品

RSM は修理できません。以下は、Motorola Solutions から注文できるオプションのアクセサリと交換部品です。

表 3: 交換部品

部品番号	説明
0104068J78_	ベルト クリップ
PMLN8464_	交換用フロント PTT パドル ラベル (緑)
PMLN8465_	交換用フロント PTT パドル ラベル (青)
PMLN8466_	交換用フロント PTT パドル ラベル (赤)
PMLN8468_	交換用フロント PTT パドル ラベル (黄)
PMLN8469_	交換用フロント PTT パドル ラベル (シルバー)
PMLN8523_	交換用フロント PTT パドル ラベル (オレンジ)

章 2

オーディオ ルーティングの優先順位付け

図 2: オーディオ ルーティング

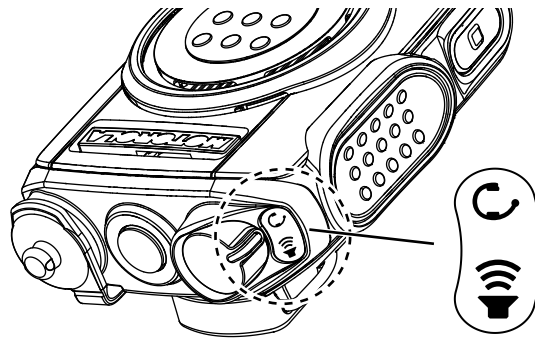





表 4: オーディオ ルーティングの優先順位付け


モードの切り替え	構成	送信 (Tx) ルーティング	受信 (Rx) ルーティング
 RSM または SAA ジャック付属	RSM のみ	RSM	RSM
	RSM、Nexus SAA 付属	Nexus SAA	Nexus SAA
	RSM、3.5mm SAA + Nexus SAA 付属	Nexus SAA	Nexus SAA
	RSM、3.5mm SAA 付属	RSM	3.5mm SAA
 RSM 専用	RSM のみ	RSM	RSM
	RSM、Nexus SAA 付属	RSM	RSM
	RSM、3.5mm SAA + Nexus SAA 付属	RSM	RSM
	RSM、3.5mm SAA 付属	RSM	RSM

2.1

オーディオ切り替えリマインダ アラーム

このセクションでは、オーディオ切り替えリマインダ アラームに関する情報を提供します。

オーディオ ルーティングが  モードに切り替わると、接続されている Nexus アクセサリで周期的な可聴アラームが鳴ります。

オーディオ切り替えの間違いや切り替え忘れを防ぐ安全機能の一部として、可聴アラームは常に有効になっています。Nexus アクセサリを装着して操作する場合は、オーディオを  モードに切り替えることが推奨されます。

章 3

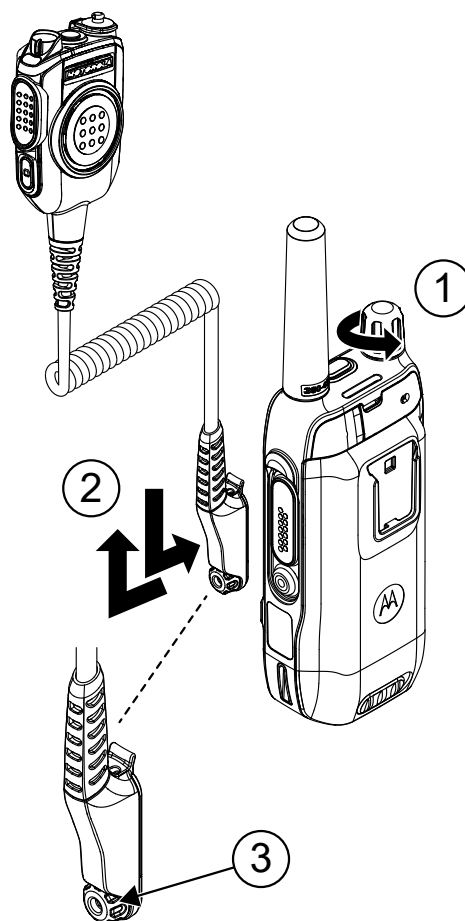
取り扱い説明

このセクションでは、リモートスピーカマイクの使用方法に関するガイドラインを提供します。

3.1

リモートスピーカマイク (RSM) の取り付けと取り外し

使用するタイミングと場所:



項目	説明
1	無線機の電源を切ります。
2	ネジを締めて RSM を無線機に取り付けるか、ネジを緩めて RSM を無線機から取り外します。
3	つまみネジ

章 4

無線機の推奨設定



注：MOTOTRBO R7 無線機にのみ適用されます。

[メニュー]→[せってい]→[きのうせってい]

表 5: 無線機の設定

無線機の設定	推奨設定
ハウリング抑制	有効
音声設定	デフォルト
インテリジェント オーディオ	有効
Mic AGC-D	有効
ノイズ抑制	有効
ダイレクト モード	有効

章 5

推奨される操作

このセクションでは、リモートスピーカマイク (RSM) の推奨される操作に関する情報を提供します。

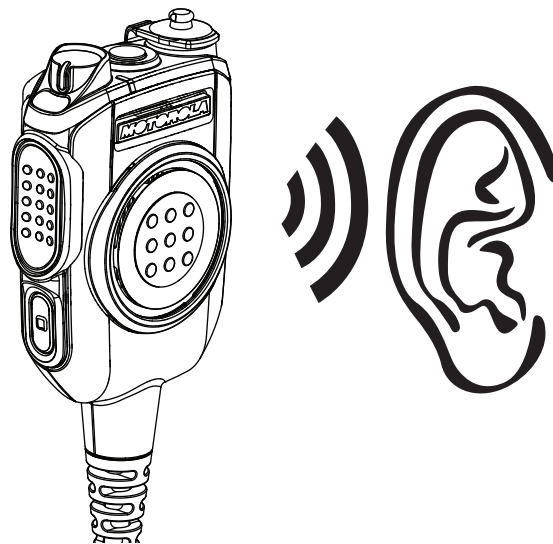
5.1

リモートスピーカマイク (RSM) からの受信

手順:

詳細については、「オーディオルーティングの優先順位付け ページ 11」を参照してください。

図 3: RSM からの受信



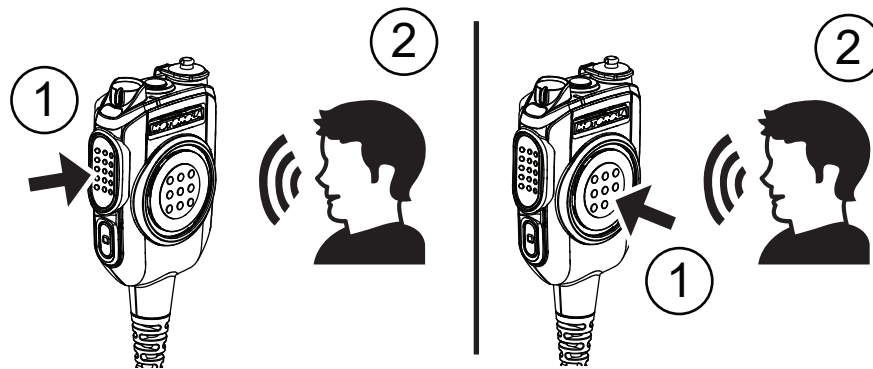
5.2

リモートスピーカマイク (RSM) からの送信

手順:

- 1 PTT ボタンを押し続けます。
- 2 音声を最大限聞き取りやすくするため、マイクに近づいて話します。

図 4: RSM からの送信



5.3

オーディオ ジャックの使用

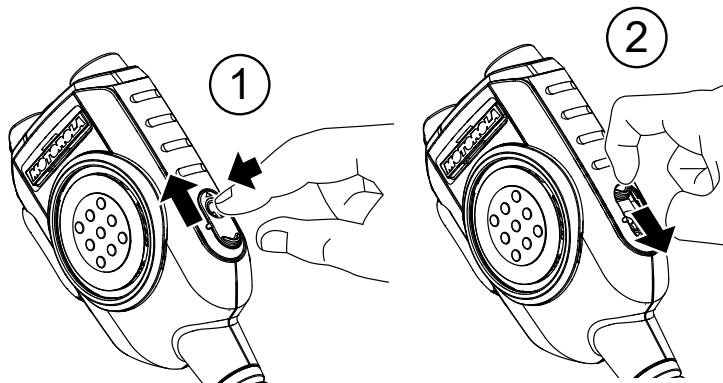
このセクションでは、オーディオ ジャックのベスト プラクティスに関する情報を提供します。

- 使用前に、オーディオ ジャックから異物を取り除きます。
- 接続していないときは、オーディオ ジャックを常時ダスト カバーで覆います。

5.3.1

オーディオ ジャック カバーの開閉

使用するタイミングと場所:



項目	説明
1	カバーを押してスライドさせます
2	カバーをスライドさせます

5.3.2

オーディオ ジャックの挿入と取り外し

使用するタイミングと場所:

図 5: オーディオ ジャックの挿入

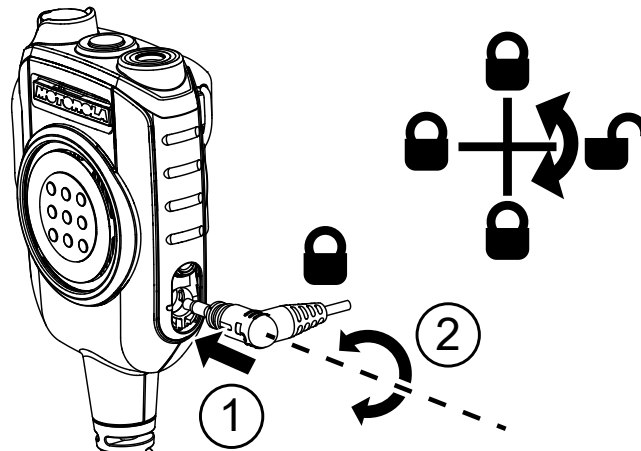
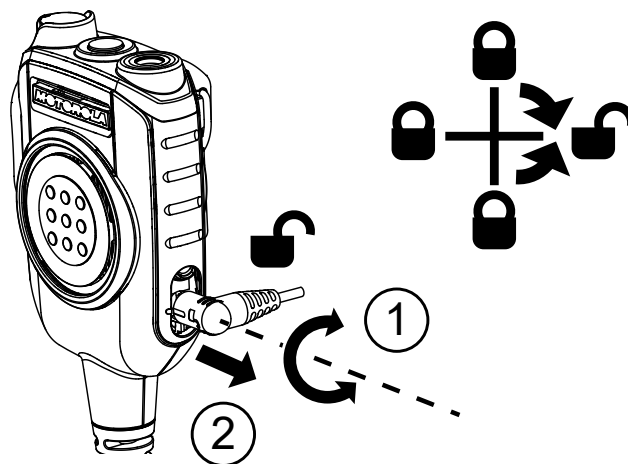


図 6: オーディオ ジャックの取り外し



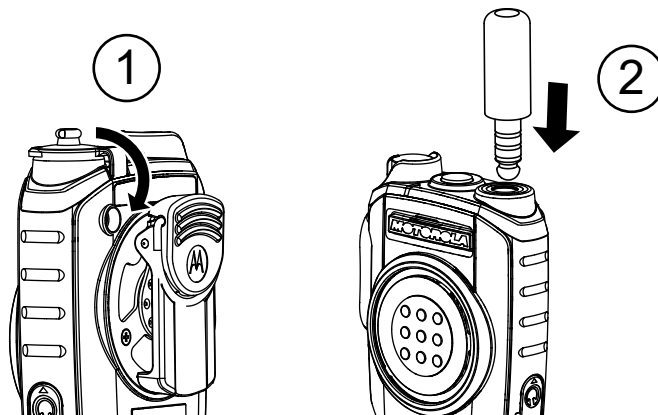
5.4


Nexus ジャック

このセクションでは、Nexus ジャックのベスト プラクティスに関する情報を提供します。

- 使用前に、ジャックから異物を取り除きます。
- 接続していないときは、Nexus ジャックを常時ダスト カバーで覆います。

図 7: Nexus ジャックの挿入



 注：Nexus アクセサリを挿入する、または取り外す前に、無線機の電源をオフにすることが推奨されます。

5.5 推奨される装着位置

このセクションでは、リモート スピーカ マイク (RSM) の推奨される装着位置について説明します。

図 8: ロング ケーブル付属の RSM

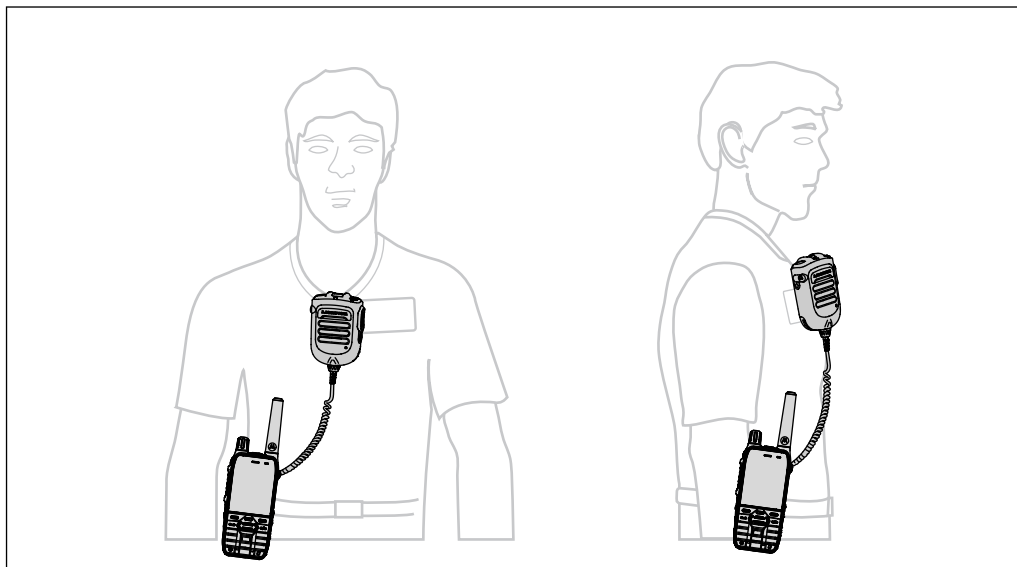
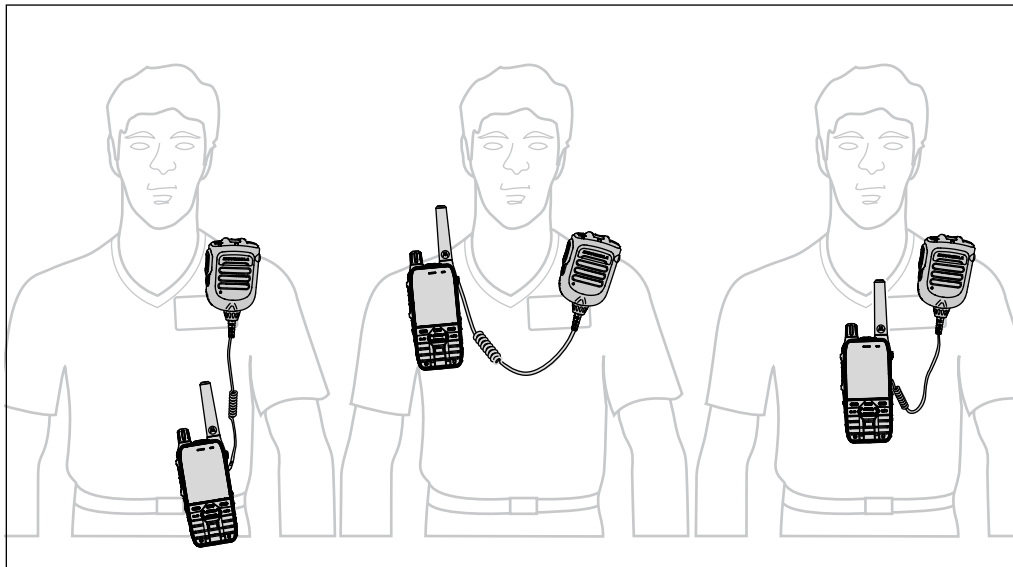



図 9: ショート ケーブル付属の RSM



 注：無線機の推奨装着位置が襟の場合、軽量の無線機のみが対象です。

5.6 ケーブルの管理

このセクションでは、推奨されるケーブルの位置について説明します。

図 10: 推奨

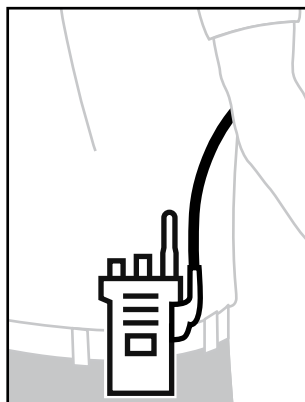
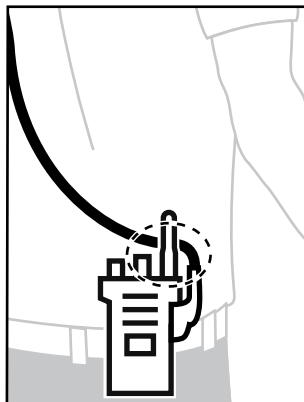


図 11: 非推奨



最適な通信範囲とユーザー体験を実現するため、無線機のアンテナとアクセサリ ケーブルを交差させないようにすることが推奨されます。

章 6

NS750 Nexus RSM インタフェース

このセクションでは、異なるタイプのセカンダリ オーディオ Nexus アクセサリに接続した場合の Nexus RSM インタフェースの説明を示します。

図 12: Nexus プラグ

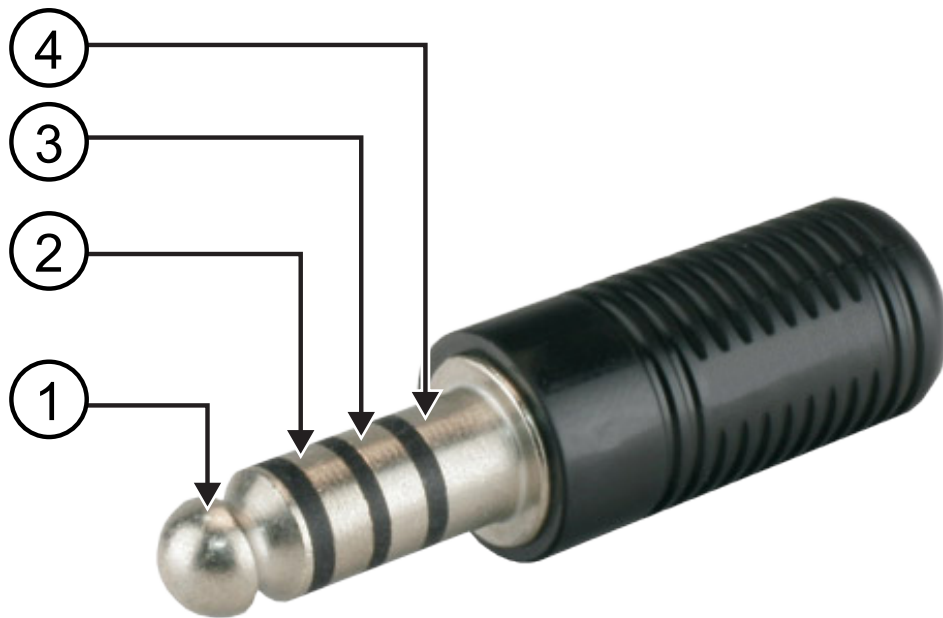


表 6: Nexus プラグ

注釈	Nexus プラグの説明
1	先端 (ピン 1)
2	リング 1 (ピン 2)
3	リング 2 (ピン 3)
4	スリーブ (ピン 4)

表 7: NS750 Nexus RSM インタフェース

パラメータ	値	
エレクトレット マイク + DSP プロセッサ		
パス	パス 1	
マイクのインピーダンス	オープン	
マイク検出電圧 (電圧基準 (1.1 V) に対する ピン 3 からピン 1 への電圧)	ピン 2 における電圧基準よりも高い	
ピン配列	ピン配列の割り当て	備考
ピン 1	GND	GND
ピン 2	マイク+	1.1V 超 (電圧基準よりも高い)
ピン 3	未接続	該当なし (NA)
ピン 4	スピーカ (シングルエンド)	シングルエンド オーディオ
RSM のマイク ゲイン	+6dB	
マイク コンポーネントの 推奨感度	エレクトレット マイク (DSP プロセッサ付き)	
スピーカのインピーダンス	サプライヤが決定	
Motorola Solutions が推奨する 音声の安全性	≈ <118dB SPL (ピーク)	
エレクトレット マイク		
パス	パス 2	
マイクのインピーダンス	≈ <1kΩ	
マイク検出電圧 (電圧基準 (1.1 V) に対する ピン 3 からピン 1 への電圧)	ピン 2 における電圧基準よりも低い	
ピン配列	ピン配列の割り当て	備考
ピン 1	GND	GND
ピン 2	マイク+	1.1V 未満 (電圧基準よりも下)
ピン 3	スピーカ+	バランスのとれた音声
ピン 4	スピーカ-	
RSM のマイク ゲイン	+22dB	
マイク コンポーネントの 推奨感度	エレクトレット マイク (≈ -60dB re 1V/Pa)	
スピーカのインピーダンス	サプライヤが決定	
Motorola Solutions が推奨する 音声の安全性	≈ <118dB SPL (ピーク)	

パラメータ	値	
骨伝導/加速度計		
パス	パス 3	
マイクのインピーダンス	≈ < 1kΩ	
マイク検出電圧 (電圧基準 (1.1 V) に対するピン 3 からピン 1 への電圧)	ピン 3 における電圧基準よりも低い	
ピン配列	ピン配列の割り当て	備考
ピン 1	GND	GND
ピン 2	未接続	該当なし (NA)
ピン 3	骨伝導マイク	1.1V 未満 (電圧基準よりも下)
ピン 4	スピーカ (シングルエンド)	シングルエンド オーディオ
RSM のマイク ゲイン	+29dB	
マイク コンポーネントの推奨感度	振動感知型インピーダンス マイク	
スピーカのインピーダンス	サプライヤが決定	
Motorola Solutions が推奨する音声の安全性	≈ < 118dB SPL (ピーク)	

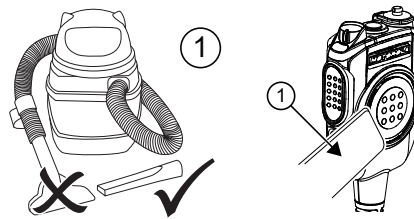
章 7

クリーニング手順

このセクションでは、リモート スピーカ マイク (RSM) のクリーニング手順に関する情報を提供します。

ちり、埃が多い環境でのステップ (オプション)

一般的なクリーニングを行う前に、RSM の前面に掃除機をかけます。



警告 : 以下の事項を行うと保証が無効になります。

- 4hp/3kW を超える掃除機を使用する
- 隙間ノズル以外のノズル
- その他のクリーニング方法

7.1

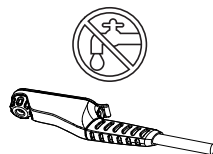
クリーニング手順

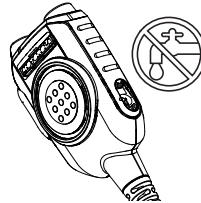
使用するタイミングと場所:



警告 :

- コネクタが濡れないようにします。
- Nexus ジャックまたはオーディオ ジャックに水を入れしないでください。
- イヤピースに接続していないときは、Nexus ジャックまたはオーディオ ジャックをダストカバーで覆います。
- Nexus ジャックまたはオーディオ ジャックに水が入った場合は、リモート スピーカ マイク (RSM) を振って水を抜いてください。

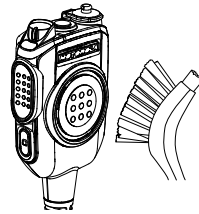




警告：食器用洗剤と水のみを使用してください。他の洗剤を使用すると RSM ハウジングが恒久的に損傷する場合があります、保証が無効になります。30 分以上浸さないでください。

手順:

- 1 3 リットルの水に大さじ 1 杯の低刺激性の食器用洗剤を混ぜます (0.5% 溶液)。
- 2 毛先が短い、ナイロン製の硬いブラシを使用して、溶液をやさしく塗り付けます。



警告：スピーカまたはマイクのポート部分にブラシの毛が入らないようにしてください。内部に損傷を与える可能性があり、保証が無効になります。

- 3 RSM を冷水で十分にすすぎ、柔らかい糸くずの出ない布で丁寧に拭きます。
- 4 前面を下にして RSM を持ち、軽く数回振って、スピーカの開口部またはマイクポートの下側にある水を取り除きます。

7.2

消毒および汚染除染手順

Motorola Solutions は、RSM の衛生状態についての最新かつ最善の理解に基づいて、RSM に推奨されるクリーニングおよび消毒方法のガイドラインを提供しています。

世界的に活動する保健当局によれば、表面から細菌、汚れ、不純物を除去することで、感染拡大のリスクを低下させることができます。RSM を消毒するには、次の消毒剤または汚染除染剤を使用できます。

- Dewipe Decontamination Wipes

章 8

サービスと保証

Motorola Solutions は、1 年の標準保証を提供しています。標準保証の詳細については、Motorola Solutions の代理店にお問い合わせください。

その他の情報

Motorola Solutions 認定代理店にお問い合わせいただくか、www.motorolasolutions.com にアクセスしてください。



NS750 IMPRES™ 무지향성 원격 스피커 마이크 PMMN4150 및 PMMN4151

7월 2023년



안전 및 법률

이 섹션에서는 이 제품의 안전 및 법률 정보를 제공합니다.

지적 재산권 및 규제 고지

저작권

이 문서에 설명되어 있는 Motorola Solutions 제품에는 저작권 보호를 받는 Motorola Solutions 컴퓨터 프로그램이 포함되어 있을 수 있습니다. 미국과 기타 국가의 법률은 저작권 보호를 받는 컴퓨터 프로그램에 대한 독점적인 권리를 Motorola Solutions에 부여합니다. 따라서 본 문서에 수록된 Motorola Solutions 제품에 포함되어 있으며 Motorola Solutions이 저작권을 보유한 모든 컴퓨터 프로그램은 Motorola Solutions의 서면 승인이 없는 한 어떠한 형식으로도 복사 또는 복제할 수 없습니다.

이 문서의 어떤 부분도 Motorola Solutions, Inc.의 사전 서면 허가 없이 어느 형태나 방식으로든 검색 시스템에 복사, 전송, 저장하거나 다른 언어나 컴퓨터 언어로 번역할 수 없습니다.

등록 상표

MOTOROLA, MOTO, MOTOROLA SOLUTIONS 및 양식화된 M 로고는 Motorola Trademark Holdings, LLC의 상표 또는 등록 상표이며 라이선스에 의거하여 사용됩니다. 기타 모든 상표는 해당 소유자의 재산입니다.

라이선스 권한

제품 판매 관련 법규에 의해 사용이 허가된 일반적인 비배타적, 사용료가 면제된 라이선스를 제외하고는 Motorola Solutions 제품의 구매를 통해 저작권, 특허 또는 Motorola Solutions 특허 출원 하의 어떠한 라이선스도 직접적, 암시적, 금반언 또는 그 밖의 어떠한 형식으로도 권리를 부여받은 것으로 간주되지 않습니다.

오픈 소스 콘텐츠

이 제품에는 라이선스에 의거하여 사용되는 오픈 소스 소프트웨어가 포함되어 있을 수 있습니다. 오픈 소스 법적 고지 및 귀속과 관련된 전체 내용은 제품 설치 미디어를 참조하십시오.

유럽 연합(EU) 및 영국(UK) 전기 전자 폐기물(WEEE: Waste Electrical and Electronic Equipment) 지침



유럽 연합의 WEEE 규정 및 영국의 WEEE 규정에 의하면 유럽 연합 및 영국에서 판매되는 제품(또는 포장)에는 가위표가 표시된 바퀴 달린 쓰레기통 라벨이 부착되어 있어야 합니다. WEEE 규정에 따라, 가위표가 표시된 바퀴 달린 쓰레기통 라벨이 부착되어 있으면 유럽 연합 및 영국의 고객과 최종 사용자는 전기 전자 장비 또는 부속품을 생활 쓰레기로 폐기해서는 안 됩니다.

유럽 연합 및 영국의 고객 또는 최종 사용자는 현지 장비 공급업체 대리점이나 서비스 센터에 연락해 해당 국가의 쓰레기 수거 시스템에 대한 정보를 참조해야 합니다.

면책고지

본 문서에 수록된 일부 기능, 설비 및 능력은 특정 시스템용으로 적용하거나 사용하도록 라이선스가 부여되지 않을 수 있으며 특정 모바일 가입자 장치의 특성 또는 일부 매개변수의 구성에 따라 달라질 수 있습니다. 자세한 내용은 현지 Motorola Solutions 대리점에 문의하십시오.

© 2023 Motorola Solutions, Inc. All Rights Reserved

휴대용 양방향 무선기에 대한 RF 에너지 노출 및 제품 안전 설명서

주의:

이 액세서리를 사용하기 전에 안전한 사용, RF 에너지에 대한 이해 및 관련 표준과 규정을 준수하는 제어와 관련된 중요한 작동 지침이 수록된 본 설명서를 읽어 주시기 바랍니다.

원격 스피커 마이크(RSM)는 무선기에 연결할 경우 FCC/ICNIRP RF 에너지 노출 요건을 충족시키기 위해 업무 목적으로만 사용하도록 제한되어 있습니다. 본 제품을 사용하기 전에 RF 에너지 노출 제한을 준수할 수 있도록 무선기와 함께 제공된 제품 안전 및 RF 노출 인쇄물의 RF 에너지 인식 정보 및 취급 지침을 읽어 주십시오.

무전기 호환성에 대한 자세한 내용은 [무전기 호환성 페이지의 7](#)를 참조하십시오.

청각 안전

음원에 관계없이 시끄러운 소음에 장시간 노출될 경우 청력에 일시적 또는 영구적인 영향을 미칠 수 있습니다. 청력에 영향을 주지 않으려면 무전기 볼륨 수준이 높을수록 보다 짧은 시간 동안 사용해야 합니다. 시끄러운 소음으로 인한 청력 손상은 초기 단계에는 발견되지 않는 경우가 종종 있으므로 손상이 누적될 수 있습니다. 청력 보호하기:

- 작업 시 가능한 한 볼륨을 낮추어 사용합니다.
- 주변 소음이 심한 환경에서만 볼륨을 높이십시오.
- 헤드셋 또는 이어폰을 착용하기 전에 볼륨을 낮추십시오.
- 볼륨을 높여 들을 경우 헤드셋 또는 이어폰의 사용 시간을 제한하십시오.
- 헤드셋 또는 이어폰 없이 무전기를 사용할 경우, 무전기 스피커를 귀 바로 옆에 두지 마십시오.
- 귀의 울림 또는 멍멍함 등의 불편한 증상을 겪은 경우 무전기에서 헤드셋 또는 이어폰 사용을 멈추고 담당 의사에게 청력 검진을 받으십시오. 볼륨 수준을 변경하려면 무전기 제품 안전 안내서 또는 매우 큰 소리(xL) 감독 키트 구성용 CPS(고객 프로그래밍 소프트웨어)를 참조하십시오.

인증 마크



기자재명칭 : 리모트스피커마이크

상 호 : MOTOROLA SOLUTIONS MALAYSIA SDN. BHD.

기자재 명칭 : 리모트 스피커 마이크

제조사 및 제조국가 : MOTOROLA SOLUTIONS MALAYSIA SDN. BHD./말레이시아

인증번호 : R-R-MML-PMMN4150A

A/S 연락처 : 00798-14-800-9674

문의처

유럽 연합 문의처

Motorola Solutions,
Czerwone Maki 82,
30-392 Krakow, Poland

영국 문의처

Motorola Solutions UK Ltd.,
Nova South, 160 Victoria Street,
London, SW1E 5LB,
United Kingdom

연락처

CMSO(중앙 관리 지원 작업)는 Motorola Solutions과 사용자 조직의 서비스 계약에 포함된 기술 지원을 위한 기본 연락처입니다.

서비스 계약 고객은 다음과 같이 계약에서 고객 책임 아래에 나열된 모든 상황에서 CMSO에 연락해야 합니다.

- 조치를 취하기 전에 문제 해결 결과 및 분석을 확인하기 위해

사용자 조직에 전달된 해당 지역 및 서비스 계약에 대한 지원 전화번호와 기타 연락처 정보를 사용하면 가장 효율적인 응답을 받을 수 있습니다. 그러나 필요한 경우 다음 단계를 따라 Motorola Solutions 웹사이트에서 일반 지원 연락처 정보를 찾을 수도 있습니다.

- 1 브라우저에서 motorolasolutions.com을 입력합니다.
- 2 조직의 국가 또는 지역이 페이지에 표시되는지 확인합니다. 지역 이름을 클릭하거나 탭하면 변경하는 방법이 제공됩니다.
- 3 motorolasolutions.com 페이지에서 "지원"을 선택합니다.

의견

사용 설명서와 관련된 질문과 의견은 documentation@motorolasolutions.com으로 보내주십시오.

문서 오류를 보고할 때는 다음 정보를 제출해 주십시오.

- 문서 제목 및 부품 번호
- 오류가 있는 페이지 번호 또는 섹션 제목
- 오류에 대한 설명

Motorola Solutions은 시스템 학습을 지원하기 위해 설계된 다양한 과정을 제공합니다. 자세한 내용은 <https://learning.motorolasolutions.com>으로 이동하여 현재 개설된 코스 및 기술 경로를 확인하십시오.

아이콘 규칙

이 문서 모음에는 사용자의 이해를 돕기 위한 다양한 아이콘이 있습니다. 다음 아이콘은 문서 모음 전반에 사용됩니다.



위험: 관련 안전 아이콘과 함께 표시되는 "위험"은 무시할 경우 심각한 상해 또는 사망을 초래할 수 있는 정보를 나타냅니다.



경고: 관련 안전 아이콘과 함께 표시되는 "경고"는 무시할 경우 심각한 상해, 사망 또는 심각한 제품 손상을 초래할 수 있는 정보를 나타냅니다.



주의: 관련 안전 아이콘과 함께 표시되는 "주의"는 무시할 경우 경미하거나 심각하지 않은 상해 또는 심각한 제품 손상을 초래할 수 있는 정보를 나타냅니다.

주의: 안전 아이콘이 표시되지 않는 "주의"는 제품과 관련이 없는 잠재적인 손상이나 상해를 나타냅니다.



중요: "중요"는 중요한 정보이지만 주의나 경고 수준이 아닌 정보를 나타냅니다. 중요 표시와 연관된 경고 레벨은 없습니다.



참고: "참고"에는 예외 사항이나 선결 조건과 같이 주변 내용보다 더 중요한 정보가 있습니다. 또한 참고는 사용자에게 다른 곳에 있는 추가 정보를 알려주거나, 동작을 완료하는 방법을 상기시켜 주거나(예: 현재 절차의 일부가 아닌 경우), 화면에서 무언가가 어디에 있는지 설명해 줍니다. 참고와 연관된 경고 레벨은 없습니다.

목차

안전 및 법률	2
지적 재산권 및 규제 고지.....	2
휴대용 양방향 무전기에 대한 RF 에너지 노출 및 제품 안전 설명서.....	3
청각 안전.....	3
Conformity Markings.....	3
문의처.....	3
연락처	4
아이콘 규칙	5
장 1: 원격 스피커 마이크 개요	7
1.1 무전기 호환성.....	7
1.2 승인된 액세서리.....	8
1.3 교체 부품.....	8
장 2: 오디오 라우팅 우선 순위 지정	9
2.1 오디오 전환 알림 알람.....	9
장 3: 작동 지침	10
3.1 원격 스피커 마이크(RSM) 연결 및 분리.....	10
장 4: 권장 무전기 설정	11
장 5: 권장 사용법	12
5.1 원격 스피커 마이크(RSM)에서 수신.....	12
5.2 원격 스피커 마이크(RSM)에서 송신.....	12
5.3 오디오 잭 사용.....	13
5.3.1 오디오 잭 커버 열기 및 닫기.....	13
5.3.2 오디오 잭 삽입 및 제거.....	13
5.4 Nexus 잭.....	14
5.5 권장 착용 위치.....	15
5.6 케이블 관리.....	16
장 6: NS750 Nexus RSM 인터페이스	18
장 7: 청소 절차	21
7.1 세척 절차.....	21
7.2 소독제 및 오염 제거 절차.....	22
장 8: 서비스 및 보증	23

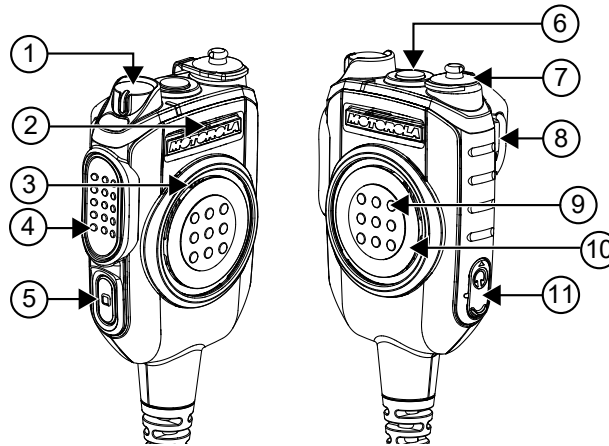
장 1

원격 스피커 마이크 개요

이 설명서는 다음 원격 스피커 마이크(RSM)에 적용됩니다.

- PMMN4150 - NS750 IMPRES™ 무지향성 원격 스피커 마이크(긴 케이블 포함)
- PMMN4151 - NS750 IMPRES™ 무지향성 원격 스피커 마이크(짧은 케이블 포함)

그림 1: RSM 개요



항목	설명
1년	오디오 전환 노브
2년	옴니 마이크
3년	스피커
4년	측면 PTT(Push-To-Talk) 버튼
5년	1점 프로그래밍 가능 버튼
6	액세서리 주황색 버튼
7	Nexus 잭
8	벨트 클립
9	전면 PTT 버튼
10	전면 PTT 패들 라벨 배치
11	3.5mm 오디오 잭 ¹

1.1 무전기 호환성

다음 무전기는 원격 스피커 마이크(RSM)와 호환됩니다.

- MOTOTRBO R7 - 펌웨어 R02.22.03.1001 이상 필요

¹ 3.5mm 오디오 잭은 PMLN7188_ 키트와만 호환됩니다.

- MXP600 - 펌웨어 R55.XX0.9840 이상 필요

1.2

승인된 액세서리

이 섹션에서는 원격 스피커 마이크(RSM)와 함께 사용할 수 있는 승인된 액세서리 목록을 제공합니다.

이어폰

표 1: 이어폰

부품 번호	설명
PMLN7188_	ATEX 3.5mm 수신 전용 이어폰 및 반투명 튜브

오디오 Nexus 액세서리

표 2: 오디오 Nexus 액세서리

부품 번호	설명
GMMN4585_ ^{2,3}	Savox HC-1 헬멧 통신
GMMN4584_ ^{2,3}	Savox HC-2 헬멧 통신
PMLN8265_ ^{2,3}	헤드밴드 헤드셋(Nexus 포함)
PMLN8266_ ^{2,3}	넥밴드 헤드셋(Nexus 포함)
PMLN8267_ ^{2,3}	안전모 헤드셋(Nexus 포함)

RSM에 연결된 다른 Nexus 플러그 액세서리의 오디오 성능은 호환성이 테스트되지 않았기 때문에 보장되지 않습니다. 최적의 성능을 위해 Nexus 액세서리 케이블을 무선기 안테나에서 멀리 떼어 놓으십시오.

1.3

교체 부품

RSM은 수리할 수 없습니다. Motorola Solutions에서 다음과 같은 옵션 액세서리 및 교체 부품을 주문할 수 있습니다.

표 3: 교체 부품

부품 번호	설명
0104068J78_	벨트 클립
PMLN8464_	교체용 전면 PTT 패들 라벨(녹색)
PMLN8465_	교체용 전면 PTT 패들 라벨(파란색)
PMLN8466_	교체용 전면 PTT 패들 라벨(빨간색)
PMLN8468_	교체용 전면 PTT 패들 라벨(노란색)
PMLN8469_	교체용 전면 PTT 패들 라벨(은색)
PMLN8523_	교체용 전면 PTT 패들 라벨(주황색)

² 오디오 Nexus 액세서리는 UL 승인을 받지 않은 액세서리입니다.

³ RSM과 함께 사용할 때 시스템 수준은 비 UL입니다.

장 2

오디오 라우팅 우선 순위 지정

그림 2: 오디오 라우팅

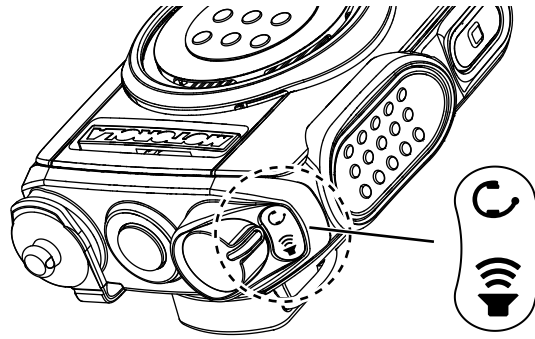






표 4: 오디오 라우팅 우선 순위 지정

토글 모드	구성	송신(Tx) 라우팅	수신(Rx) 라우팅
 RSM 또는 SAA 잭 포함	RSM 단독	RSM	RSM
	RSM(Nexus SAA 포함)	Nexus SAA	Nexus SAA
	RSM(3.5mm SAA 포함) + Nexus SAA	Nexus SAA	Nexus SAA
	RSM(3.5mm SAA 포함)	RSM	3.5mm SAA
 RSM 전용	RSM 단독	RSM	RSM
	RSM(Nexus SAA 포함)	RSM	RSM
	RSM(3.5mm SAA 포함) + Nexus SAA	RSM	RSM
	RSM(3.5mm SAA 포함)	RSM	RSM

2.1

오디오 전환 알림 알람

이 섹션에서는 오디오 전환 알림 알람에 대한 정보를 제공합니다.

오디오 라우팅이  모드로 전환되면 연결된 Nexus 액세서리에서 리듬이 있는 알람이 울립니다. 오디오 전환을 잘못하거나 잊어버리는 것을 방지하기 위한 안전 기능의 일부로 알람이 항상 활성화되어 있습니다. 작동을 위해 Nexus 액세서리를 착용한 상태에서는 오디오를  모드로 전환하는 것이 좋습니다.

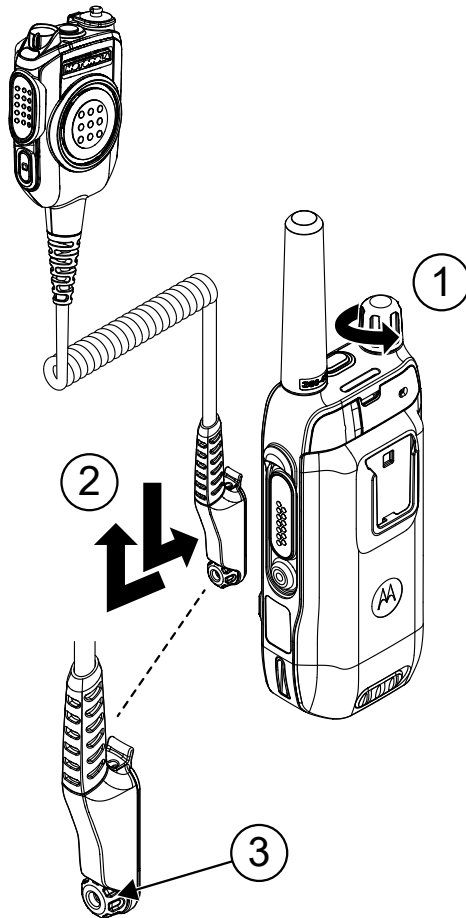
장 3

작동 지침

이 섹션에서는 원격 스피커 마이크를 사용하는 방법에 대한 지침을 제공합니다.

3.1 원격 스피커 마이크(RSM) 연결 및 분리

사용할 시기 및 장소:



항목	설명
1	무전기를 끕니다.
2	나사를 조이거나 풀어 무전기에서 RSM을 부착하거나 분리합니다.
3	나비 나사

장 4

권장 무선기 설정



참고: MOTOTRBO R7 무선기에만 적용됩니다.

메인 메뉴→유틸리티→무전기 설정

표 5: 무선기 설정

무전기 설정	권장 설정
AF 억제기	활성화됨
오디오 기본 설정	기본
지능형 오디오	활성화됨
마이크 AGC-D	활성화됨
잡음 방지 장치	활성화됨
토크어라운드	활성화됨

장 5

권장 사용법

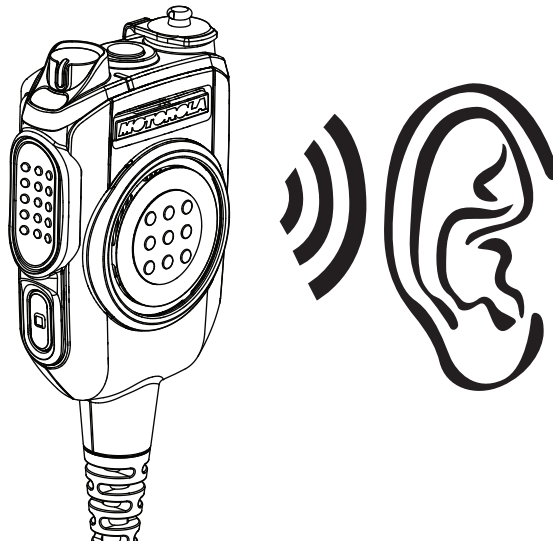
이 섹션에서는 원격 스피커 마이크(RSM)의 권장 사용법에 대한 정보를 제공합니다.

5.1 원격 스피커 마이크(RSM)에서 수신

절차:

자세한 내용은 [오디오 라우팅 우선 순위 지정 페이지의 9](#)를 참조하십시오.

그림 3: RSM에서 수신

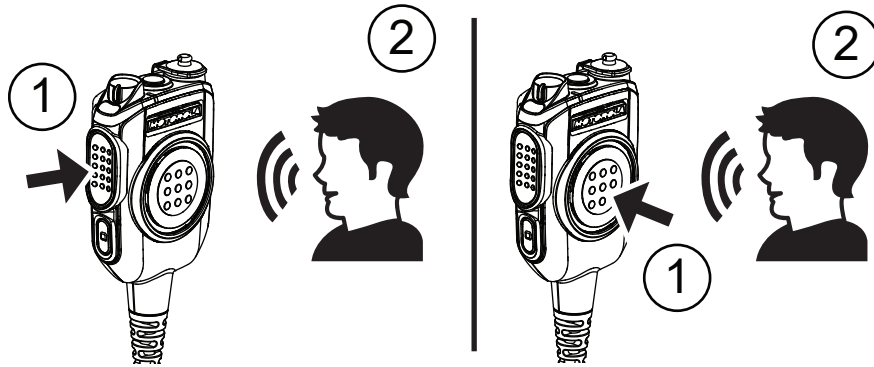


5.2 원격 스피커 마이크(RSM)에서 송신

절차:

- 1 PTT 버튼을 길게 누릅니다.
- 2 최고의 이해도 성능을 위해 마이크에 가까이 대고 말하십시오.

그림 4: RSM에서 송신



5.3

오디오 잭 사용

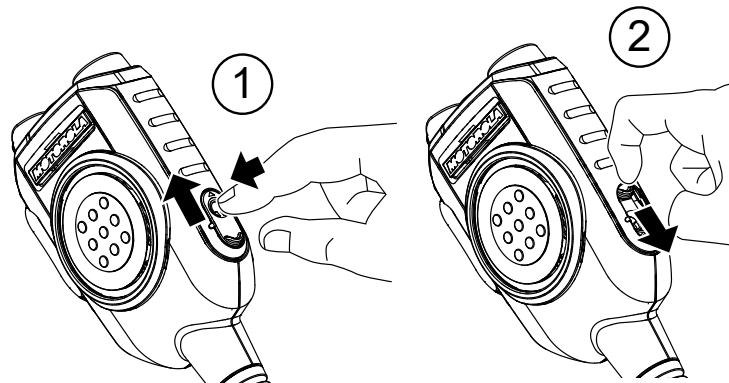
이 섹션에서는 오디오 잭의 모범 사례에 대한 정보를 제공합니다.

- 사용하기 전에 오디오 잭에서 이물질을 청소하거나 제거하십시오.
- 오디오 잭이 연결되어 있지 않을 때는 항상 먼지 커버로 덮으십시오.

5.3.1

오디오 잭 커버 열기 및 닫기

사용할 시기 및 장소:



항목	설명
1	커버를 눌러 밀니다.
2	커버를 밀니다.

5.3.2

오디오 잭 삽입 및 제거

사용할 시기 및 장소:

그림 5: 오디오 잭 연결

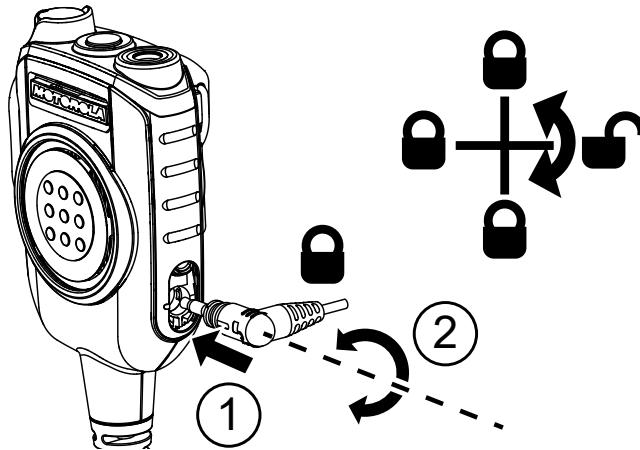
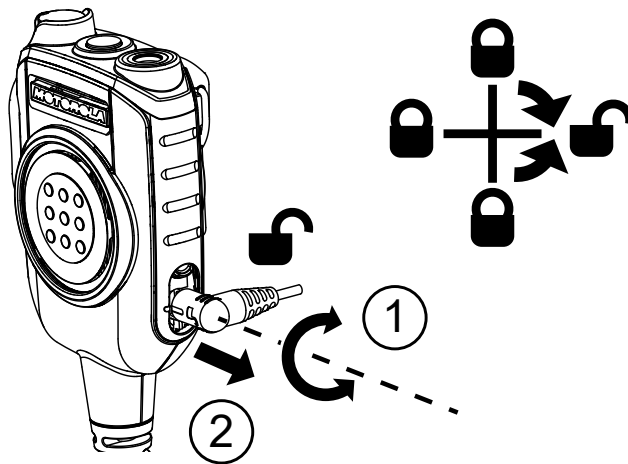


그림 6: 오디오 잭 분리



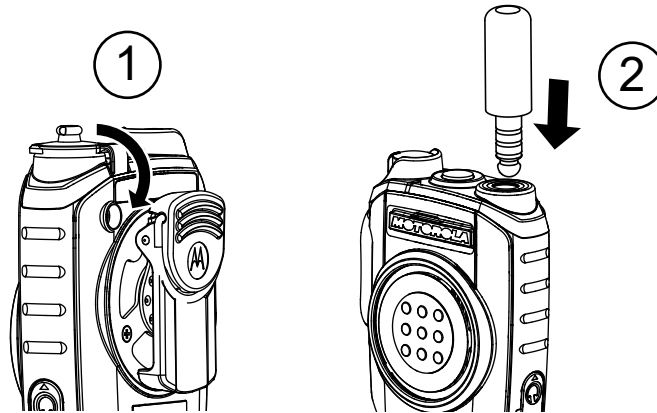
5.4

Nexus 잭

이 섹션에서는 Nexus 잭의 모범 사례에 대한 정보를 제공합니다.

- 사용하기 전에 잭에서 이물질을 청소하거나 제거하십시오.
- Nexus 잭이 연결되어 있지 않을 때는 항상 먼지 커버로 덮으십시오.

그림 7: Nexus 잭 연결



참고: Nexus 액세서리를 연결하거나 분리하기 전에 무전기를 끄는 것이 좋습니다.

5.5

권장 착용 위치

이 섹션에서는 원격 스피커 마이크(RSM)의 권장 착용 위치에 대해 설명합니다.

그림 8: 긴 케이블이 있는 RSM

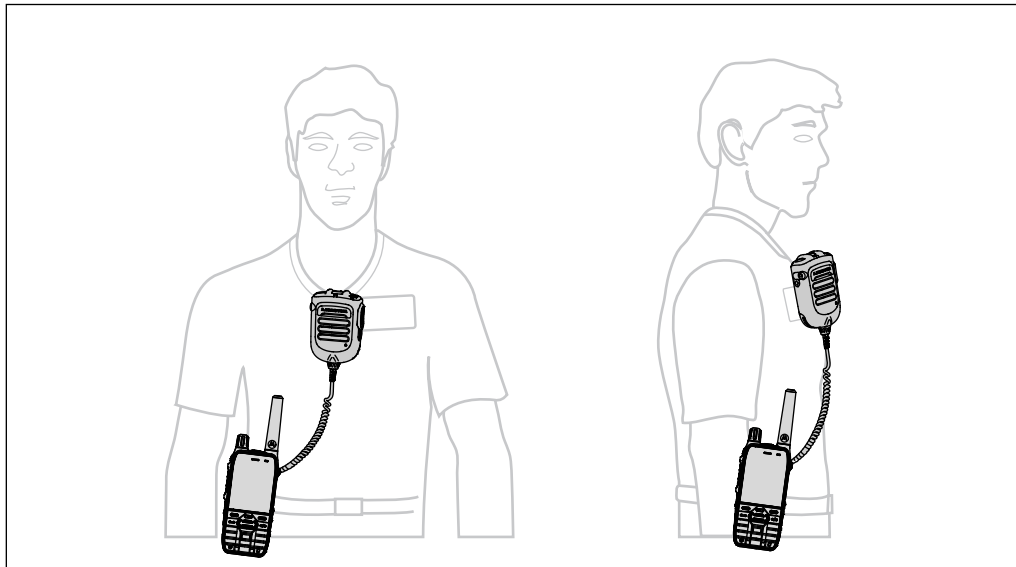
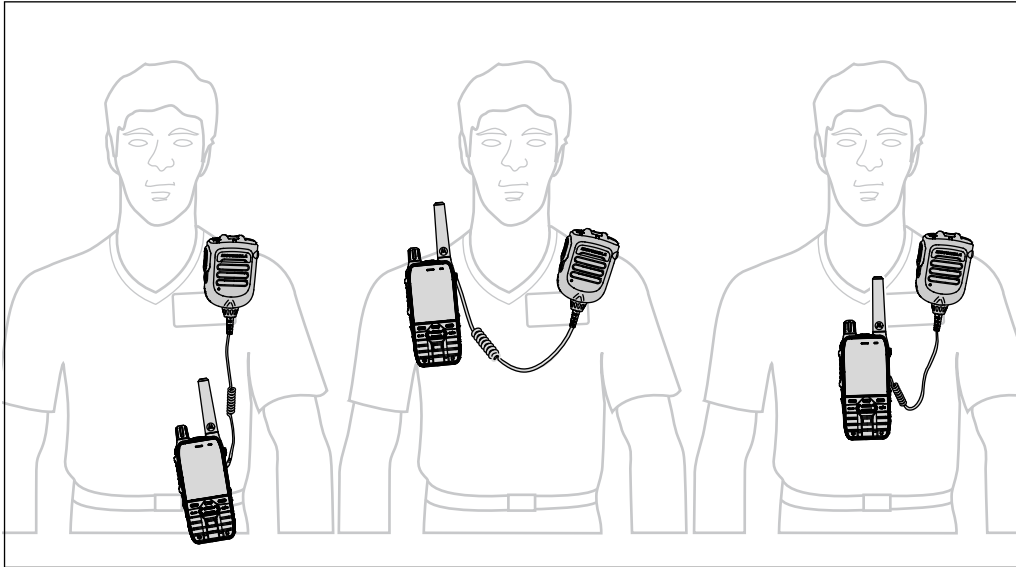



그림 9: 짧은 케이블이 있는 RSM



 **참고:** 옷깃 무선기 착용은 경량 무선기만 권장됩니다.

5.6 케이블 관리

이 섹션에서는 권장되는 케이블 위치를 설명합니다.

그림 10: 권장됨

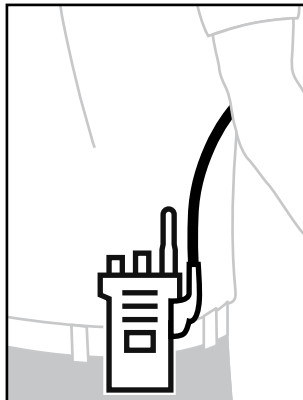
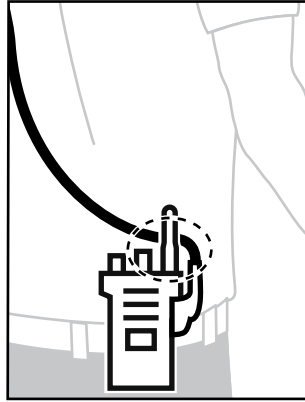


그림 11: 권장되지 않음



최적의 범위와 사용자 경험을 위해 무전기 안테나와 액세서리 케이블을 교차하지 않는 것이 좋습니다.

장 6

NS750 Nexus RSM 인터페이스

이 섹션에는 다양한 유형의 보조 오디오 Nexus 액세스리에 연결할 때 나타나는 Nexus RSM 인터페이스 설명이 표시됩니다.

그림 12: Nexus Plug

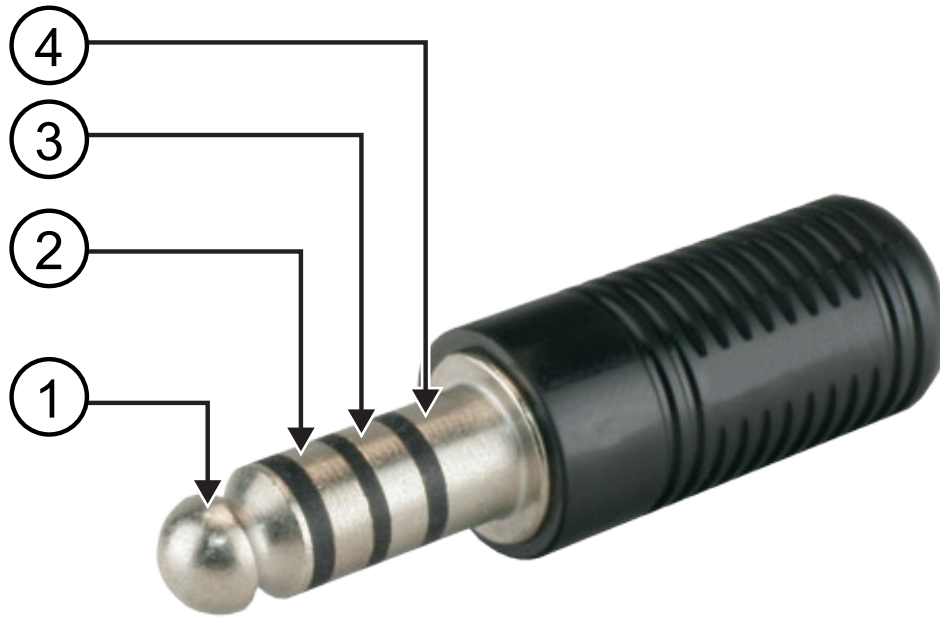


표 6: Nexus Plug

주석	Nexus Plug 설명
1년	팁(핀 1)
2년	링 1(핀 2)
3년	링 2(핀 3)
4년	슬리브(핀 4)

표 7: NS750 Nexus RSM 인터페이스

매개변수	값
Electret 마이크 + DSP 프로세서	

매개변수		값	
경로	경로 1		
마이크 임피던스	열기		
마이크 감지 전압(핀 2와 핀 1 대 전압 기준(1.1V))	핀 2의 전압 기준보다 높음		
핀 아웃	핀 아웃 할당	비고	
핀 1	GND	GND	
핀 2	마이크+	1.1V 초과(전압 기준보다 높음)	
핀 3	연결되지 않음	해당 없음(NA)	
핀 4	스피커 싱글 엔디드	싱글 엔디드 오디오	
RSM의 마이크 게인	+6dB		
권장 마이크 부품 감도	DSP 프로세서 장착 Electret 마이크		
스피커 임피던스	공급업체 결정		
Motorola Solutions에서 권장하는 오디오 안전	≈<118dB SPL(피크)		
Electret 마이크			
경로	경로 2		
마이크 임피던스	≈<1kΩ		
마이크 감지 전압(핀 2와 핀 1 대 전압 기준(1.1V))	핀 2의 전압 기준보다 낮음		
핀 아웃	핀 아웃 할당	비고	
핀 1	GND	GND	
핀 2	마이크+	1.1V 미만(전압 기준보다 낮음)	
핀 3	스피커+	밸런스드 오디오	
핀 4	스피커-		
RSM의 마이크 게인	+22dB		
권장 마이크 부품 감도	Electret 마이크(≈ -60dB, 1V/Pa 기준)		
스피커 임피던스	공급업체 결정		
Motorola Solutions에서 권장하는 오디오 안전	≈<118dB SPL(피크)		
골전도/가속도계			
경로	경로 3		
마이크 임피던스	≈<1kΩ		
마이크 감지 전압(핀 3와 핀 1 대 전압 기준(1.1V))	핀 3의 전압 기준보다 낮음		
핀 아웃	핀 아웃 할당	비고	

매개변수	값	
핀 1	GND	GND
핀 2	연결되지 않음	해당 없음(NA)
핀 3	골전도 마이크	1.1V 미만(전압 기준보다 낮음)
핀 4	스피커 싱글 엔디드	싱글 엔디드 오디오
RSM의 마이크 게인	+29dB	
권장 마이크 부품 감도	진동에 민감한 임피던스 마이크	
스피커 임피던스	공급업체 결정	
Motorola Solutions에서 권장하는 오디오 안전	≈<118dB SPL(피크)	

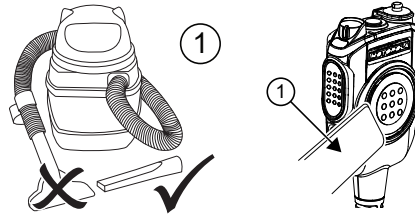
장 7

청소 절차

이 섹션에서는 원격 스피커 마이크(RSM) 청소 절차에 대한 정보를 제공합니다.

이물질이 많은 환경을 위한 옵션 단계

전체 청소를 하기 전에 RSM의 앞면을 진공 청소기로 청소하십시오.



경고: 다음과 같은 경우 보증이 무효화됩니다.

- 4hp/3kW 이상의 진공 청소기를 사용한 경우
- 틸트 노즐 이외의 노즐.
- 다른 청소 방법.

7.1

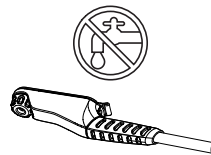
세척 절차

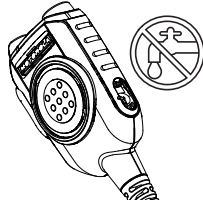
사용할 시기 및 장소:



경고:

- 커넥터가 젖지 않도록 하십시오.
- Nexus 잭 또는 오디오 잭에 물을 넣지 마십시오.
- 이어폰과 연결되어 있지 않은 경우에는 Nexus 잭 또는 오디오 잭을 먼지 커버로 덮으십시오.
- 물이 Nexus 잭 또는 오디오 잭에 들어가면 원격 스피커 마이크(RSM)를 흔들어 물을 제거하십시오.

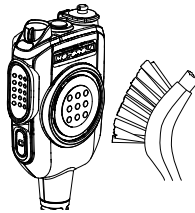




경고: 주방용 세제와 물만 사용하십시오. 다른 세척액을 사용하면 RSM 하우징이 영구적으로 손상될 수 있으며 보증이 무효화됩니다. 30분 이상 담그지 마십시오.

절차:

- 1 순한 주방 세제 1티스푼과 물 3.8리터를 섞습니다(0.5% 용액).
- 2 뽀뽀하고 짧은 나일론 강모 브러시를 사용하여 용액을 조금만 적용합니다.



경고: 강모가 스피커 또는 마이크 포트 영역에 들어가지 않도록 하십시오. 내부 손상이 발생할 수 있으며 보증이 무효화됩니다.

- 3 RSM을 찬물로 완전히 헹구고 부드럽고 보풀이 없는 천으로 완전히 말립니다.
- 4 RSM의 앞면이 아래로 가도록 잡고 가볍게 몇 번 흔들어 스피커 개구부나 마이크 포트 아래에 있을 수 있는 물기를 제거합니다.

7.2 소독제 및 오염 제거 절차

Motorola Solutions은 RSM 위생에 대한 최신 정보와 최고의 이해를 바탕으로 RSM에 대한 권장 청소 및 소독 지침을 제공합니다.

글로벌 보건 당국에 따르면 표면에서 세균, 먼지 및 불순물을 제거하면 감염 확산 위험이 낮아집니다. RSM을 소독하기 위해 다음 소독제 또는 디모타미닌제를 사용할 수 있습니다.

- Dewipe 오염 제거제

장 8

서비스 및 보증

Motorola Solutions은 표준 1년 보증을 제공합니다. 표준 보증에 대한 자세한 내용은 Motorola Solutions 대리점에 문의하십시오.

자세한 내용은

Motorola Solutions 공인 대리점에 문의하거나 www.motorolasolutions.com을 참조하십시오.



NS750 IMPRES™ **omnidirektionales** **Lautsprechermikrofon** **PMMN4150 und** **PMMN4151**

JULI 2023

© 2023 Motorola Solutions, Inc. All rights reserved



MN009167A01-AE

Sicherheit und Recht

Dieser Abschnitt enthält die Sicherheits- und rechtlichen Informationen für dieses Produkt.

Hinweise zu geistigem Eigentum und gesetzlichen Bestimmungen

Copyright

Die in diesem Dokument beschriebenen Motorola Solutions-Produkte können durch Copyright geschützte Computerprogramme von Motorola Solutions enthalten. Nach den Gesetzen der USA und anderer Staaten sind bestimmte exklusive Rechte an der urheberrechtlich geschützten Software der Firma Motorola Solutions vorbehalten. Demzufolge dürfen urheberrechtlich geschützte Computerprogramme von Motorola Solutions, die zusammen mit den in diesem Dokument beschriebenen Motorola Solutions-Produkten ausgeliefert werden, ohne die vorherige schriftliche Genehmigung von Motorola Solutions weder kopiert noch in jeglicher Form reproduziert werden.

Die Vervielfältigung, Übertragung, Speicherung in einem Abrufsystem oder Übersetzung in eine Sprache oder Computersprache ist für keinen Teil dieses Dokuments in keinerlei Form und durch keinerlei Methode ohne vorherige schriftliche Genehmigung von Motorola Solutions Inc. gestattet.

Marken

MOTOROLA, MOTO, MOTOROLA SOLUTIONS und das stilisierte M-Logo sind Marken oder eingetragene Marken von Motorola Trademark Holdings, LLC und werden unter Lizenz verwendet. Alle anderen Marken sind Eigentum ihrer jeweiligen Inhaber.

Lizenzrechte

Mit dem Kauf von Produkten von Motorola Solutions werden weder ausdrücklich noch stillschweigend, durch Rechtsverwirkung oder auf andere Weise Lizenzen unter dem Copyright, dem Patent oder den Patentanwendungen von Software von Motorola Solutions ausgegeben, außer der Nutzung von gewöhnlichen, nicht exklusiv erteilten, gebührenfreien Lizenzen, die sich aus der Anwendung der Gesetze beim Verkauf eines Produkts ergeben.

Open-Source-Inhalt

Dieses Produkt kann Open-Source-Software enthalten, die unter Lizenz verwendet wird. Vollständige rechtliche Hinweise und Attributionsinformationen zu Open Source finden Sie in den Produktinstallationsmedien.

Richtlinie zu Elektro- und Elektronik-Altgeräten (WEEE) der Europäischen Union (EU) und des Vereinigten Königreichs (UK)



■ Gemäß WEEE-Richtlinie (Waste of Electrical and Electronic Equipment, deutsch Elektro- und Elektronikaltgeräte) der EU und des Vereinigten Königreichs besteht für Elektro- und Elektronikgeräte, die in den Mitgliedsländern der Europäischen Union und dem Vereinigten Königreich in Verkehr gebracht werden, Kennzeichnungspflicht. Die Kennzeichnung erfolgt durch ein Etikett mit einer durchgestrichenen Mülltonne, das am Produkt selbst oder an der Verpackung angebracht wird. Wie in der WEEE-Richtlinie festgelegt, bedeutet diese Kennzeichnung, dass Kunden und Endverbraucher in Ländern der EU und des Vereinigten Königreichs elektrische und elektronische Geräte und Zubehör nicht mit dem Haushaltsmüll entsorgen sollten.

Endverbraucher in den Mitgliedsländern der Europäischen Union und dem Vereinigten Königreich sind angehalten, bei ihrem lokalen Händler oder beim Kundendienst des Herstellers Informationen zum Rücknahmesystem ihres Landes einzuholen.

Haftungsausschluss

Beachten Sie, dass bestimmte Funktionen, Eigenschaften und Möglichkeiten, die in diesem Dokument beschrieben werden, für ein bestimmtes System möglicherweise nicht gelten oder nicht lizenziert sind oder von den Eigenschaften bestimmter mobiler Endgeräte (Funkgeräte) oder von der Konfiguration bestimmter Parameter abhängen können. Wenden Sie sich für weitere Informationen an Ihren Ansprechpartner von Motorola Solutions.

© 2023 Motorola Solutions, Inc. Alle Rechte vorbehalten

Handbuch zur HF-Energiestrahlung und Produktsicherheit für Handsprechfunkgeräte

VORSICHT:

Lesen Sie vor Verwendung des Zubehörs dieses Handbuch, das wichtige Bedienungsanweisungen für den sicheren Umgang und HF-Energiesicherheitsinformationen zur Einhaltung der geltenden Normen und Richtlinien enthält.

Das an das Funkgerät angeschlossene Lautsprechermikrofon (RSM) ist zur Erfüllung der FCC-/ICNIRP-Anforderungen für die HF-Energiebelastung ausschließlich dem beruflichen/gewerblichen Einsatz vorbehalten. Lesen Sie vor Verwendung des Produkts die HF-Energie-Vorsichtsinformationen und die Bedienungsanweisungen in der Broschüre zur Produktsicherheit und Funkfrequenzstrahlung, die dem Funkgerät beiliegt, um die Einhaltung der HF-Energiegrenzwerte zu gewährleisten.

Weitere Informationen zur Kompatibilität von Funkgeräten finden Sie unter [Funkgeräte-Kompatibilität auf Seite 9](#).

Gehörschutz

Wenn Sie längere Zeit einem hohen Lärmpegel ausgesetzt sind, kann Ihr Gehör vorübergehend oder dauerhaft Schaden nehmen. Je höher die Lautstärke des Funkgeräts, desto schneller könnte Ihr Gehör beeinträchtigt werden. Eine Schädigung des Gehörs durch einen hohen Lärmpegel wird oft nicht rechtzeitig erkannt und kann eine kumulative Wirkung haben. So schützen Sie Ihr Gehör:

- Verwenden Sie die niedrigste Lautstärke, die für Ihre Arbeit erforderlich ist.
- Erhöhen Sie die Lautstärke nur, wenn Sie sich in lauten Umgebungen befinden.
- Verringern Sie die Lautstärke, bevor Sie das Headset oder den Ohrhörer aufsetzen.
- Achten Sie darauf, dass Sie Headsets oder Ohrhörer bei hohen Lautstärken nur eine begrenzte Zeit lang verwenden.
- Bei Verwendung des Funkgeräts ohne Headset oder Ohrhörer dürfen Sie die Lautsprecher des Funkgeräts nicht direkt an Ihre Ohren halten.
- Wenn Sie Hörbeschwerden haben, ein Klingeln in den Ohren vernehmen oder Gespräche nur gedämpft wahrnehmen, sollten Sie die Wiedergabe über Ihr Funkgerät mit Headset oder Ohrhörer abbrechen und Ihr Gehör von einem Arzt überprüfen lassen. Informationen zum Ändern der Lautstärke finden Sie im Produktsicherheitsmerkblatt des Funkgeräts oder in der Customer Programming Software (CPS) für extralauter (xL) Überwachungs-Kit-Konfigurationen.

Prüfzeichen



Kontaktadresse

Kontakt Europäische Union

Motorola Solutions,
Czerwone Maki 82,
30-392 Kraków, Polen

Kontakt Vereinigtes Königreich

Motorola Solutions UK Ltd.,
Nova South, 160 Victoria Street,
London, SW1E 5LB,
Vereinigtes Königreich

Kontakt

Centralized Managed Support Operations (CMSO) ist der primäre Ansprechpartner für den technischen Support, wie im Servicevertrag Ihres Unternehmens mit Motorola Solutions festgelegt.

Kunden mit Serviceverträgen sollten in allen Situationen, die unter „Verantwortlichkeiten des Kunden“ in ihrem Vertrag aufgeführt sind, zunächst das CMSO kontaktieren. Zum Beispiel:

- um Ergebnisse von Fehlersuchen und -analysen zu bestätigen, bevor Maßnahmen ergriffen werden

Ihr Unternehmen hat Telefonnummern für den Support und weitere Kontaktinformationen erhalten, die für Ihre geografische Region und Ihren Servicevertrag maßgeblich sind. Verwenden Sie diese Kontaktinformationen, um schnellstmöglich Antworten zu erhalten. Wenn es jedoch erforderlich ist, können Sie auch allgemeine Kontaktinformationen zum Support auf der Website von Motorola Solutions finden. Dazu gehen Sie wie folgt vor:

- 1 Geben Sie motorolasolutions.com in Ihren Browser ein.
- 2 Stellen Sie sicher, dass das Land oder die Region für Ihr Unternehmen auf der Seite angezeigt wird. Klicken oder tippen Sie auf den Namen der jeweiligen Region, wenn Sie diese ändern möchten.
- 3 Wählen Sie dann auf der Seite motorolasolutions.com den Eintrag „Support“ aus.

Kommentare

Senden Sie Fragen und Kommentare zur Benutzerdokumentation an documentation@motorolasolutions.com.

Geben Sie die folgenden Informationen beim Melden eines Dokumentfehlers an:

- den Dokumenttitel und die Teilenummer
- die Seitennummer oder den Titel des Abschnitts mit dem Fehler
- eine Beschreibung des Fehlers

Motorola Solutions bietet verschiedene Kurse für die Schulung über das neue System an. Informationen zu aktuellen Kursangeboten und Technologien finden Sie unter <https://learning.motorolasolutions.com>.

Verwendete Symbole

Visuelle Hinweise im Dokumentationssatz bieten dem Benutzer einen besseren Überblick. Die folgenden grafischen Symbole werden im gesamten Dokumentationssatz verwendet.



GEFAHR:

Das Signalwort GEFAHR und das entsprechende Sicherheitssymbol weisen auf Informationen hin, die bei Nichteinhaltung zum Tode oder zu schweren Verletzungen führen.



WARNUNG:

Das Signalwort WARNUNG und das entsprechende Sicherheitssymbol weisen auf Informationen hin, die bei Nichteinhaltung zum Tode oder zu schweren Verletzungen sowie zu schweren Beschädigungen des Produkts führen können.



VORSICHT:

Das Signalwort VORSICHT und das entsprechende Sicherheitssymbol weisen auf Informationen hin, die bei Nichteinhaltung zu leichten oder mittelschweren Verletzungen sowie zu schweren Beschädigungen des Produkts führen können.

VORSICHT:

Das Signalwort VORSICHT kann auch ohne das Sicherheitssymbol verwendet werden, um Sie über potenzielle Schäden oder Verletzungsgefahren zu informieren, die nicht mit dem Produkt in Zusammenhang stehen.



WICHTIG:

Mit WICHTIG gekennzeichnete Aussagen enthalten Informationen, die für den aktuell beschriebenen Vorgang wichtig sind, jedoch nicht zu den Kategorien VORSICHT und WARNUNG zählen. Inhalte, die als WICHTIG gekennzeichnet sind, sind keiner Warnstufe zugeordnet.



HINWEIS:

HINWEISE enthalten Informationen, die wichtiger sind als der umgebende Text, wie beispielsweise Ausnahmen und Voraussetzungen. Zudem wird der Benutzer auf zusätzliche Informationen hingewiesen, dem Benutzer wird die Durchführung eines Vorgangs in Erinnerung gerufen (wenn dieser beispielsweise nicht Teil der aktuell beschriebenen Vorgehensweise ist), oder dem Benutzer wird erklärt, wo sich ein Element auf dem Bildschirm befindet. Hinweise sind keiner Warnstufe zugeordnet.

Inhalt

Sicherheit und Recht.....	2
Hinweise zu geistigem Eigentum und gesetzlichen Bestimmungen.....	2
Handbuch zur HF-Energiestrahlung und Produktsicherheit für Handsprechfunkgeräte.....	3
Gehörschutz.....	3
Conformity Markings.....	4
Kontaktadresse.....	4
Kontakt.....	5
Verwendete Symbole.....	6
Kapitel 1: Lautsprechermikrofon – Überblick.....	8
1.1 Funkgeräte-Kompatibilität.....	9
1.2 Genehmigtes Zubehör.....	9
1.3 Ersatzteile.....	9
Kapitel 2: Priorisierung der Audioweiterleitung.....	11
2.1 Erinnerungssignal für Audioumschaltung.....	11
Kapitel 3: Betriebsanweisungen.....	12
3.1 Anbringen und Abnehmen des Lautsprechermikrofons (RSM).....	12
Kapitel 4: Empfohlene Funkgeräteeinstellungen.....	13
Kapitel 5: Empfohlene Vorgehensweise.....	14
5.1 Empfang mit dem Lautsprechermikrofon (RSM).....	14
5.2 Übertragung mit dem Lautsprechermikrofon (RSM).....	14
5.3 Verwendung der Audiobuchse.....	15
5.3.1 Abdeckung der Audiobuchse öffnen und schließen.....	15
5.3.2 Audiobuchse anschließen oder entfernen.....	16
5.4 Nexus-Buchse.....	16
5.5 Empfohlene Tragepositionen.....	17
5.6 Kabelmanagement.....	18
Kapitel 6: NS750 Nexus RSM-Schnittstelle.....	20
Kapitel 7: Reinigungsverfahren.....	23
7.1 Reinigungsverfahren.....	23
7.2 Vorgehensweise zum Desinfizieren und Dekontaminieren.....	24
Kapitel 8: Service und Garantie.....	25

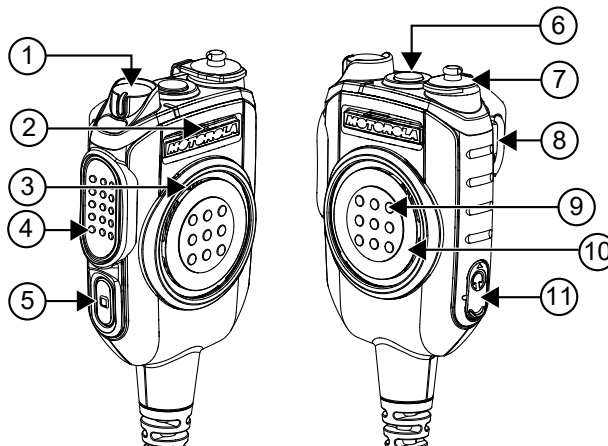
Kapitel 1

Lautsprechermikrofon – Überblick

Dieses Handbuch gilt für die folgenden Lautsprechermikrofone (RSM):

- PMMN4150 – NS750 IMPRES™ omnidirektionales Lautsprechermikrofon (mit langem Kabel)
- PMMN4151 – NS750 IMPRES™ omnidirektionales Lautsprechermikrofon (mit kurzem Kabel)

Abbildung 1: RSM-Überblick



Element	Beschreibung
1	Audio-Umschaltknopf
2	Omni-Mikrofon
3	Lautsprecher
4	Seitliche Sendetaste (PTT)
5	Programmierbare 1-Punkt-Taste
6	Orangefarbene Zubehörtaste
7	Nexus-Buchse
8	Gürtelclip
9	Vordere Sendetaste (PTT)
10	Position des Etiketts des vorderen PTT-Schlägers
11	3,5-mm-Audiobuchse ¹

¹ Die 3,5-mm-Audiobuchse ist nur mit dem Kit PMLN7188_ kompatibel.

1.1

Funkgeräte-Kompatibilität

Die folgenden Funkgeräte sind mit dem Lautsprechermikrofon (RSM) kompatibel:

- MOTOTRBO R7 – erfordert Firmware R02.22.03.1001 oder neuer
- MXP600 – erfordert Firmware R55.XX0.9840 oder neuer

1.2

Genehmigtes Zubehör

In diesem Abschnitt finden Sie eine Liste der genehmigten Zubehörteile, die mit Ihrem Lautsprechermikrofon (RSM) verwendet werden können.

Ohrhörer

Tabelle 1: Ohrhörer

Teilenummer	Beschreibung
PMLN7188_	ATEX-Ohrhörer 3,5 mm, nur Empfang, mit durchsichtigem Schlauch

Nexus Audiozubehör

Tabelle 2: Nexus Audiozubehör

Teilenummer	Beschreibung
GMMN4585_ ^{2, 3}	Helmkommunikationssystem Savox HC-1
GMMN4584_ ^{2, 3}	Helmkommunikationssystem Savox HC-2
PMLN8265_ ^{2, 3}	Headset mit Kopfband und Nexus
PMLN8266_ ^{2, 3}	Headset mit Nackenbügel und mit Nexus
PMLN8267_ ^{2, 3}	Headset für Schutzhelme mit Nexus

Die Audioleistung von anderem mit dem Lautsprechermikrofon verbundenen Nexus-Kabelzubehör wird nicht gewährleistet, da die Kompatibilität nicht überprüft wurde. Für optimale Leistung halten Sie das Nexus-Zubehörkabel von der Funkgeräntenne fern.

1.3

Ersatzteile

Ihr RSM kann nicht repariert werden. Die folgenden optionalen Zubehör- und Ersatzteile können bei Motorola Solutions bestellt werden.

Tabelle 3: Ersatzteile

Teilenummer	Beschreibung
0104068J78_	Gürtelclip

² Das Nexus Audiozubehör ist kein UL-zertifiziertes Zubehör.

³ Die Systemebene ist nicht UL-konform, wenn sie mit dem RSM verwendet wird.

Teilenummer	Beschreibung
PMLN8464_	Ersatzetikett für den vorderen PTT-Schläger (grün)
PMLN8465_	Ersatzetikett für den vorderen PTT-Schläger (blau)
PMLN8466_	Ersatzetikett für den vorderen PTT-Schläger (rot)
PMLN8468_	Ersatzetikett für den vorderen PTT-Schläger (gelb)
PMLN8469_	Ersatzetikett für den vorderen PTT-Schläger (silber)
PMLN8523_	Ersatzetikett für den vorderen PTT-Schläger (orange)

Kapitel 2

Priorisierung der Audiweiterleitung

Abbildung 2: Audiweiterleitung

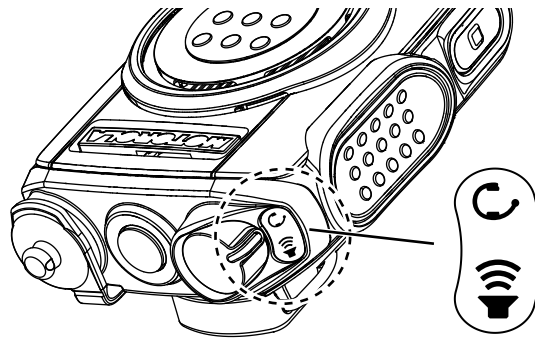





Tabelle 4: Priorisierung der Audiweiterleitung

Modus umschalten	Konfiguration	Weiterleitung beim Senden	Weiterleitung beim Empfang
 RSM oder mit SAA-Buchse	nur RSM	RSM	RSM
	RSM mit Nexus SAA	Nexus SAA	Nexus SAA
	RSM mit 3,5-mm-SAA + Nexus SAA	Nexus SAA	Nexus SAA
	RSM mit 3,5-mm-SAA	RSM	3,5-mm-SAA
 Nur RSM	nur RSM	RSM	RSM
	RSM mit Nexus SAA	RSM	RSM
	RSM mit 3,5-mm-SAA + Nexus SAA	RSM	RSM
	RSM mit 3,5-mm-SAA	RSM	RSM


2.1

Erinnerungssignal für Audiomschaltung

Dieser Abschnitt enthält Informationen zum Erinnerungssignal für die Audiomschaltung.

Wenn die Audiweiterleitung in den -Modus umgeschaltet wird, ertönt im angeschlossenen Nexus Zubehör ein pulsierender akustischer Signalton.

Als Teil der Sicherheitsfunktion, die ein versehentliches oder vergessenes Umschalten des Audiosignals verhindern soll, ist dieses akustische Signal immer aktiviert. Es wird empfohlen, das

Audiosignal in den -Modus umzuschalten, wenn das Nexus Zubehör verwendet wird.

Kapitel 3

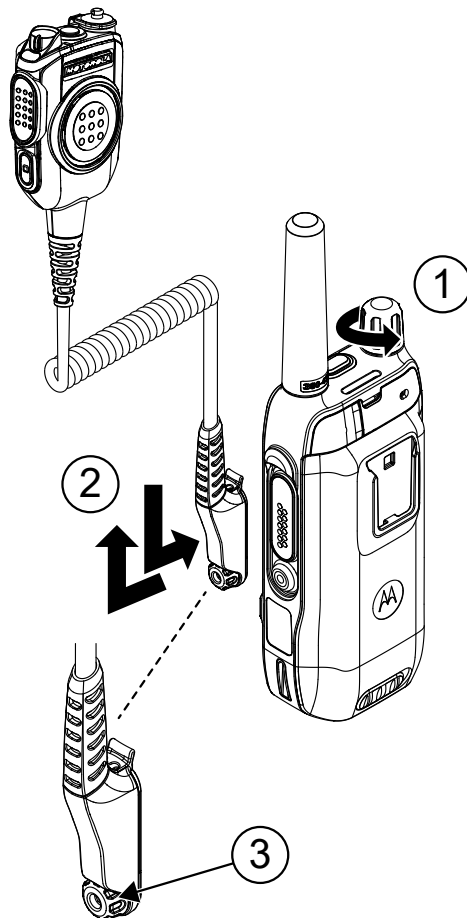
Betriebsanweisungen

Dieser Abschnitt enthält Anweisungen zur Verwendung des Lautsprechermikrofons.

3.1

Anbringen und Abnehmen des Lautsprechermikrofons (RSM)

Wann und wo zu verwenden:



Element	Beschreibung
1	Schalten Sie das Funkgerät aus.
2	Ziehen Sie die Schraube an, um das RSM am Funkgerät zu befestigen, oder lösen Sie die Schraube, um das RSM zu entfernen.
3	Flügelschraube

Kapitel 4

Empfohlene Funkgeräteeinstellungen



HINWEIS:

Gilt nur für MOTOTRBO R7-Funkgeräte.

Hauptmenü→**Einstellungen**→**FunkgEinstellg**

Tabelle 5: Funkgeräteeinstellungen

Funkgeräteeinstellungen	Empfohlene Einstellungen
AF-Unterdrückung	Aktiviert
Audiovoreinstellung	Standard
Intelligentes Audio	Aktiviert
MikAGC-D	Aktiviert
Rauschunterdrückung	Aktiviert
Repeater umgehen	Aktiviert

Kapitel 5

Empfohlene Vorgehensweise

Dieser Abschnitt enthält Informationen zu den empfohlenen Vorgehensweisen bei der Verwendung des Lautsprechermikrofons (RSM).

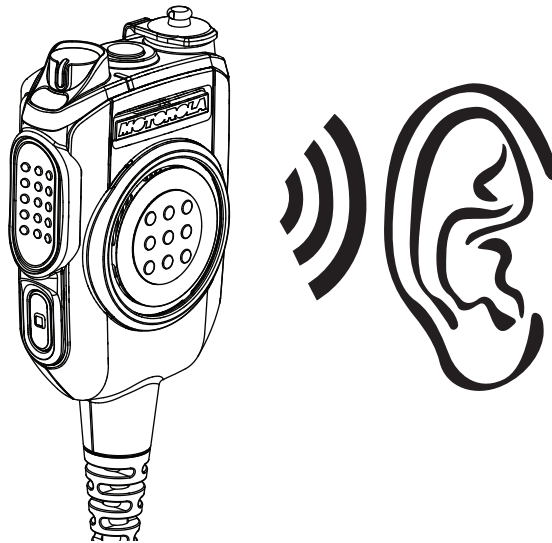
5.1

Empfang mit dem Lautsprechermikrofon (RSM)

Vorgehensweise:

Weitere Informationen hierzu finden Sie unter [Priorisierung der Audioweiterleitung auf Seite 11](#).

Abbildung 3: Empfang mit dem RSM



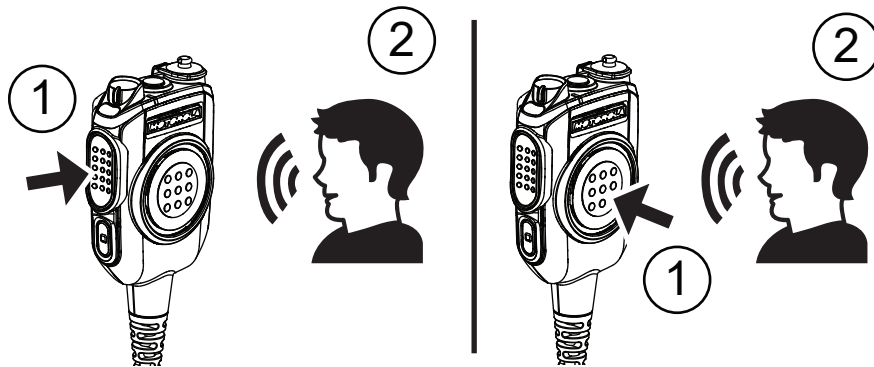
5.2

Übertragung mit dem Lautsprechermikrofon (RSM)

Vorgehensweise:

- 1 Halten Sie die **PTT**-Taste gedrückt.
- 2 Halten Sie das Mikrofon beim Sprechen für optimale Sprachverständlichkeit nah am Mund.

Abbildung 4: Übertragung mit dem RSM



5.3

Verwendung der Audiobuchse

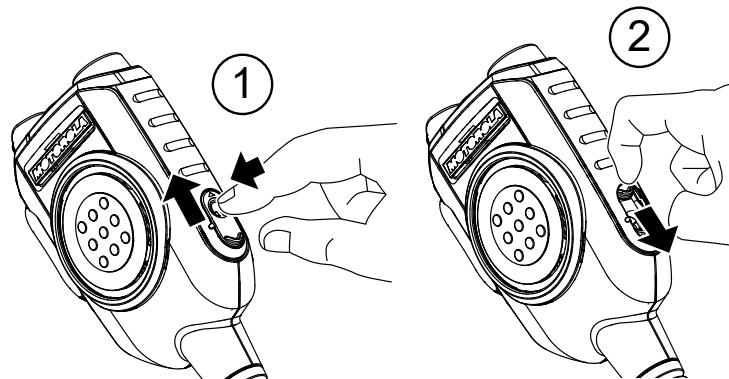
Dieser Abschnitt enthält Informationen zu den Best Practices für Audiobuchsen.

- Reinigen Sie die Audiobuchse vor der Verwendung, und entfernen Sie alle Fremdkörper.
- Decken Sie die Audiobuchse immer mit der Staubschutzabdeckung ab, wenn sie nicht angeschlossen ist.

5.3.1

Abdeckung der Audiobuchse öffnen und schließen

Wann und wo zu verwenden:



Element	Beschreibung
1	Drücken und schieben Sie die Abdeckung nach oben.

Element	Beschreibung
2	Schieben Sie die Abdeckung nach unten.

5.3.2

Audiobuchse anschließen oder entfernen

Wann und wo zu verwenden:

Abbildung 5: Audiobuchse einstecken

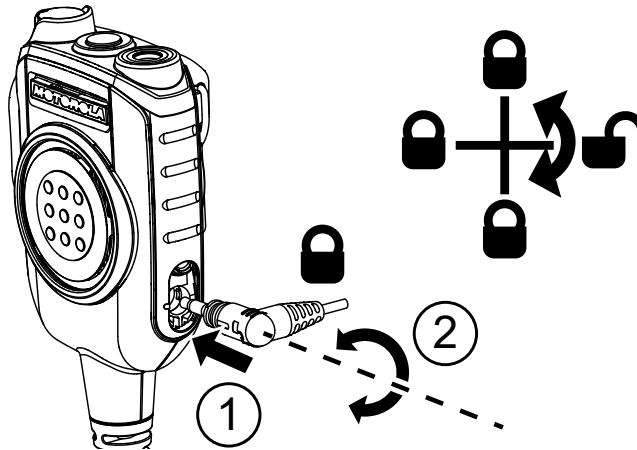
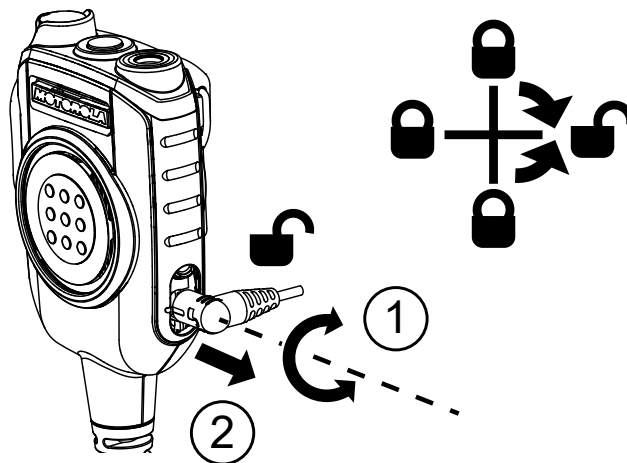


Abbildung 6: Audiobuchse ausstecken



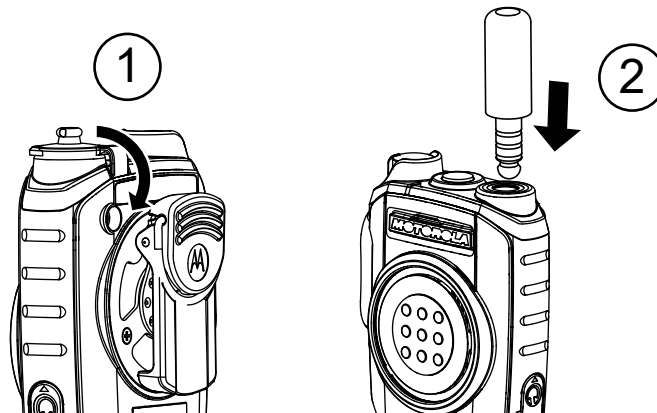
5.4

Nexus-Buchse

Dieser Abschnitt enthält Informationen zu den Best Practices für Nexus-Buchsen.

- Reinigen Sie die Buchse vor der Verwendung, und entfernen Sie alle Fremdkörper.
- Decken Sie die Nexus-Buchse immer mit der Staubschutzabdeckung ab, wenn sie nicht angeschlossen ist.

Abbildung 7: Die Nexus-Buchse anschließen



HINWEIS:

Wir empfehlen, das Funkgerät auszuschalten, bevor sie das Nexus-Zubehör anschließen oder entfernen.

5.5

Empfohlene Tragepositionen

In diesem Abschnitt wird die empfohlene Trageposition des Lautsprechermikrofons (RSM) beschrieben.

Abbildung 8: RSM mit langem Kabel

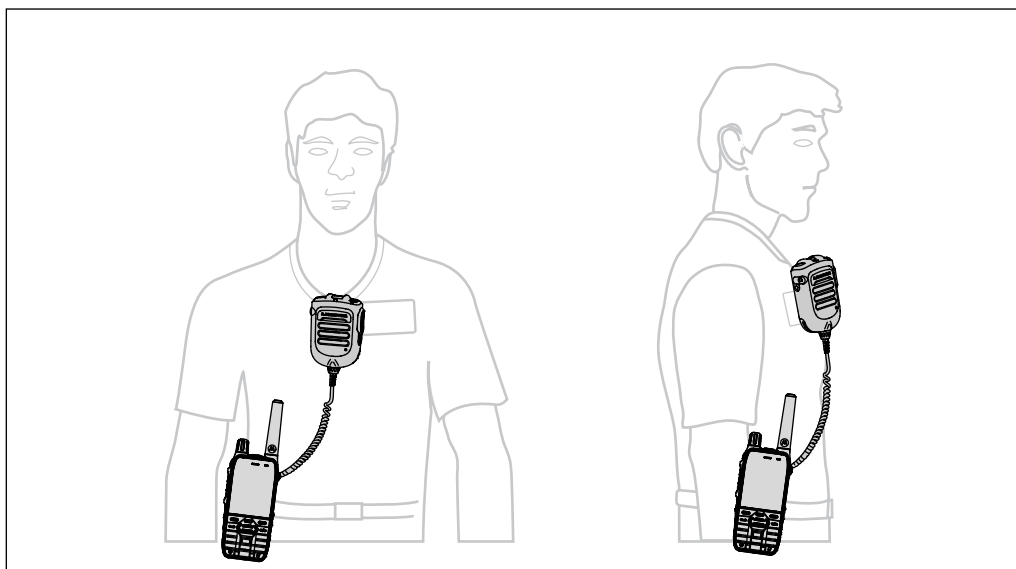
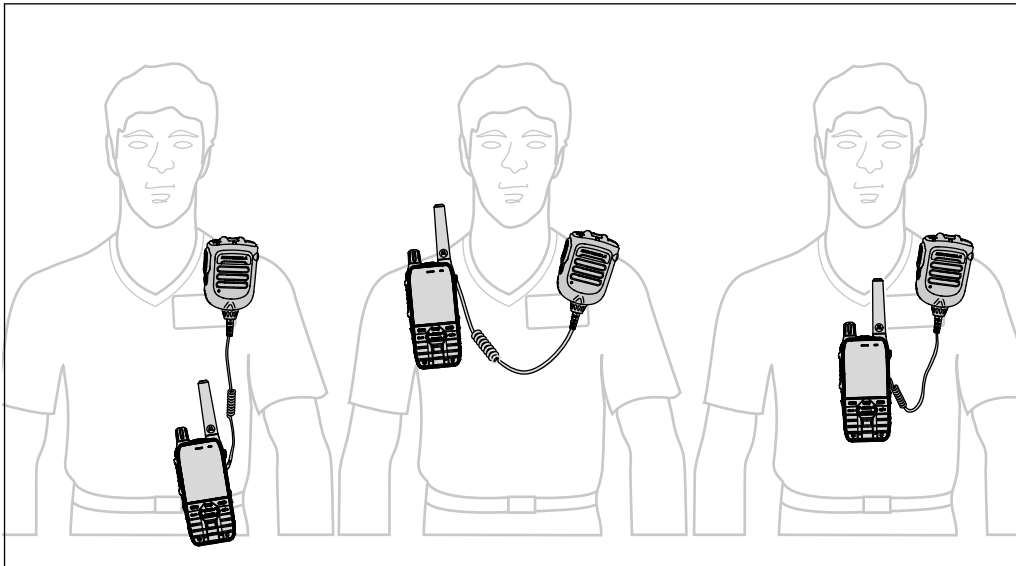


Abbildung 9: RSM mit kurzem Kabel



HINWEIS:
Nur leichte Funkgeräte sollten am Revers getragen werden.

5.6

Kabelmanagement

In diesem Abschnitt wird die empfohlene Kabelposition beschrieben.

Abbildung 10: Empfohlen

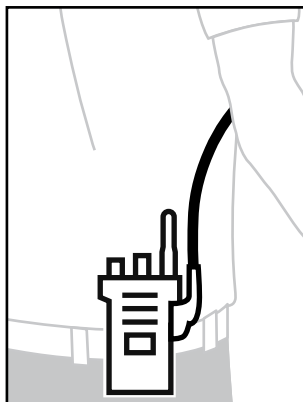
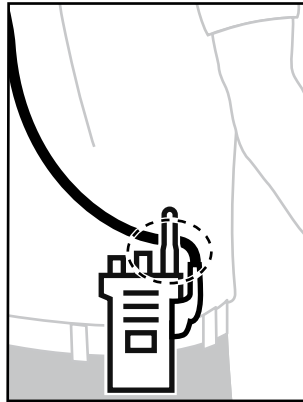


Abbildung 11: Nicht empfohlen



Um eine optimale Reichweite und eine optimale Benutzererfahrung zu gewährleisten, wird empfohlen, das Zubehörkabel nicht mit der Radioantenne zu überkreuzen.

Kapitel 6

NS750 Nexus RSM-Schnittstelle

In diesem Abschnitt wird die Nexus RSM-Schnittstelle beim Anschluss an verschiedene Arten von sekundären Nexus Audio-Zubehörteilen beschrieben.

Abbildung 12: Nexus-Stecker

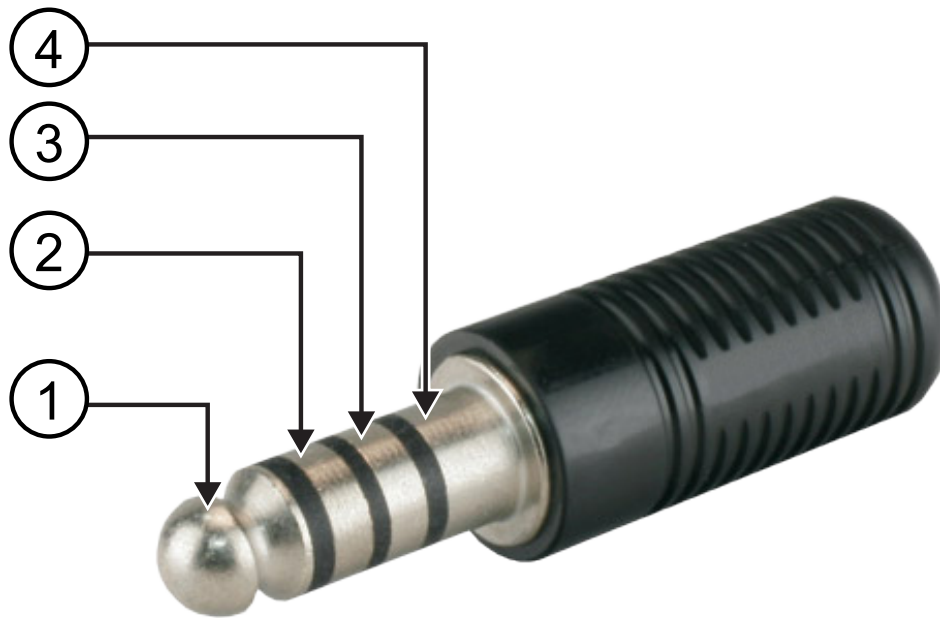


Tabelle 6: Nexus-Stecker

Anmerkung	Nexus-Stecker – Beschreibung
1	Spitze (Pin 1)
2	Ring 1 (Pin 2)
3	Ring 2 (Pin 3)
4	Hülse (Pin 4)

Tabelle 7: NS750 Nexus RSM-Schnittstelle

Parameter	Wert
Elektret-Mikrofon + DSP-Prozessor	

Parameter	Wert	
Pfad	Pfad 1	
Mikrofonimpedanz	Offen	
Spannung für die Mikrofonerkennung (Pin 2 auf Pin 1 im Vergleich zur Spannungsreferenz (1,1 V))	Höher als die Spannungsreferenz an Pin 2	
Pin-Anschluss	Pin-Anschlussbelegung	Bemerkung
Pin 1	GND	GND
Pin 2	Mikrofon+	> 1,1 V (höher als die Spannungsreferenz)
Pin 3	Nicht verbunden	Nicht verfügbar
Pin 4	Einseitiger Lautsprecher	Einseitiges Audio
Mikrofonverstärkung im RSM	+6 dB	
Empfohlene Empfindlichkeit der Mikrofonkomponenten	Elektret-Mikrofon mit DSP-Prozessor	
Lautsprecherimpedanz	Entscheidung durch Anbieter	
Von Motorola Solutions empfohlene Audiosicherheit	≈ < 118 dB SPL (Spitze)	
Elektret-Mikrofon		
Pfad	Pfad 2	
Mikrofonimpedanz	≈ < 1 kΩ	
Spannung für die Mikrofonerkennung (Pin 2 auf Pin 1 im Vergleich zur Spannungsreferenz (1,1 V))	Niedriger als die Spannungsreferenz an Pin 2	
Pin-Anschluss	Pin-Anschlussbelegung	Bemerkung
Pin 1	GND	GND
Pin 2	Mikrofon+	< 1,1 V (niedriger als die Spannungsreferenz)
Pin 3	Speaker+	Audiosymmetrie
Pin 4	Speaker-	
Mikrofonverstärkung im RSM	+22 dB	
Empfohlene Empfindlichkeit der Mikrofonkomponenten	Elektret-Mikrofon (≈ -60 dB re 1 V/Pa)	
Lautsprecherimpedanz	Entscheidung durch Anbieter	
Von Motorola Solutions empfohlene Audiosicherheit	≈ < 118 dB SPL (Spitze)	
Knochenschall/Beschleunigungsmesser		
Pfad	Pfad 3	
Mikrofonimpedanz	≈ < 1 kΩ	

Parameter	Wert	
Spannung für die Mikrofonerkennung (Pin 3 auf Pin 1 im Vergleich zur Spannungsreferenz (1,1 V))	Niedriger als die Spannungsreferenz an Pin 3	
Pin-Anschluss	Pin-Anschlussbelegung	Bemerkung
Pin 1	GND	GND
Pin 2	Nicht verbunden	Nicht verfügbar
Pin 3	Geräuschreduzierung durch Vibration Mikrofon	< 1,1 V (niedriger als die Spannungsreferenz)
Pin 4	Einseitiger Lautsprecher	Einseitiges Audio
Mikrofonverstärkung im RSM	+29 dB	
Empfohlene Empfindlichkeit der Mikrofonkomponenten	Vibrationsempfindliches Impedanzmikrofon	
Lautsprecherimpedanz	Entscheidung durch Anbieter	
Von Motorola Solutions empfohlene Audiosicherheit	≈ < 118 dBSPL (Spitze)	

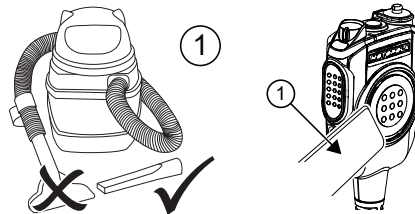
Kapitel 7

Reinigungsverfahren

Dieser Abschnitt enthält Informationen zur Reinigung des Lautsprechermikrofons (RSM).

Optionaler Schritt für Umgebungen mit starker Verschmutzung

Saugen Sie vor der allgemeinen Reinigung die vordere Oberfläche des RSM ab.



WARNUNG:

Die folgenden Handlungen führen zum Erlöschen der Garantie:

- Verwendung eines Staubsaugers mit mehr als 4 PS/3 kW
- Verwendung einer anderen Düse als der Fugendüse
- Verwendung einer anderen Reinigungsmethode

7.1

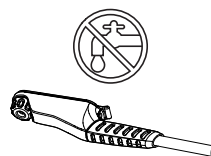
Reinigungsverfahren

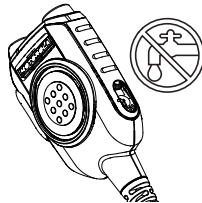
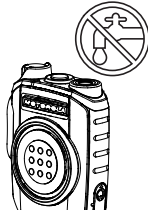
Wann und wo zu verwenden:



WARNUNG:

- Achten Sie darauf, dass die Anschlüsse nicht nass werden.
- Vermeiden Sie das Eindringen von Wasser in die Nexus-Buchse oder die Audiobuchse.
- Decken Sie die Nexus-Buchse oder Audiobuchse immer mit der Staubschutzabdeckung ab, wenn sie nicht an den Ohrhörer angeschlossen ist.
- Wenn Wasser in die Nexus-Buchse oder die Audiobuchse eindringt, schütteln Sie das Lautsprechermikrofon (Remote Speaker Microphone, RSM), um es vom Wasser zu befreien.



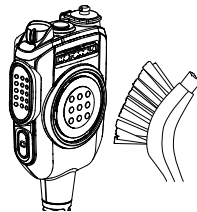


WARNUNG:

Verwenden Sie nur Spülmittel und Wasser. Andere Reinigungslösungen können das RSM-Gehäuse dauerhaft beschädigen und zum Erlöschen der Garantie führen. Lassen Sie das Gerät nicht länger als 30 Minuten im Wasser.

Vorgehensweise:

- 1 Mischen Sie einen Teelöffel mildes Spülmittel mit 4,5 Liter Wasser (0,5 %-Lösung).
- 2 Tragen Sie die milde Lösung mit einem harten Kurzhaarpinsel aus Nylon auf.



WARNUNG:

Achten Sie darauf, dass die Borsten nicht in den Bereich der Lautsprecher- oder Mikrofonanschlüsse gelangen, da dies zu internen Schäden und zum Erlöschen der Garantie führen kann.

- 3 Spülen Sie das RSM vollständig mit kaltem Wasser ab, und trocknen Sie es gründlich mit einem weichen, fusselfreien Tuch ab.
- 4 Halten Sie das RSM mit der Vorderseite nach unten, und schütteln Sie es einige Male leicht, um es von Wasser zu befreien, das sich unter den Lautsprecheröffnungen oder den Mikrofonanschlüssen befindet.

7.2

Vorgehensweise zum Desinfizieren und Dekontaminieren

Motorola Solutions stellt empfohlene Reinigungs- und Desinfektionsrichtlinien für Ihre Lautsprechermikrofone (RSM) bereit, die auf aktuellen und besten Kenntnissen zur RSM-Hygiene beruhen.

Nach Angaben der globalen Gesundheitsbehörden verringert die Entfernung von Keimen, Schmutz und Verunreinigungen von Oberflächen das Risiko der Ausbreitung von Infektionen. Sie können folgende Desinfektions- oder Dekontaminationsmittel zur Desinfektion Ihres RSM verwenden:

- Dewipe Dekontaminationstücher

Kapitel 8

Service und Garantie

Motorola Solutions bietet standardmäßig eine 1-Jahres-Garantie. Wenden Sie sich an Ihren Motorola Solutions Händler für ausführliche Informationen zur Standardgarantie.

Weitere Informationen

Wenden Sie sich an einen autorisierten Motorola Solutions-Händler oder besuchen Sie uns unter www.motorolasolutions.com.



Micro haut-parleur déporté omnidirectionnel NS750 IMPRES™ PMMN4150 et PMMN4151

JUILLET 2023

© 2023 Motorola Solutions, Inc. All rights reserved



MN009167A01-AE

Informations légales et de sécurité

Cette section contient des informations légales et de sécurité relatives à ce produit.

Propriété intellectuelle et avis réglementaires

Copyright

Les produits Motorola Solutions décrits dans ce document peuvent inclure des programmes informatiques Motorola Solutions protégés par un copyright. Les lois des États-Unis et d'autres pays garantissent certains droits exclusifs à Motorola Solutions pour ces programmes informatiques protégés par un copyright. En conséquence, il est interdit de copier ou de reproduire, de quelque manière que ce soit, les programmes informatiques Motorola Solutions protégés par un copyright contenus dans les produits Motorola Solutions décrits dans ce document sans l'autorisation expresse et écrite de Motorola Solutions.

Aucune partie du présent document ne peut être reproduite, transmise, stockée dans un système de récupération ou traduite dans toute autre langue ou tout autre langage informatique, sous quelque forme ou par quelque moyen que ce soit, sans l'autorisation écrite préalable de Motorola Solutions, Inc.

Marques

MOTOROLA, MOTO, MOTOROLA SOLUTIONS et le logo stylisé M sont des marques commerciales ou des marques déposées de Motorola Trademark Holdings, LLC et font l'objet d'une licence. Toutes les autres marques commerciales appartiennent à leurs propriétaires respectifs.

Droits de licence

L'acquisition de produits Motorola Solutions ne saurait en aucun cas conférer, directement, indirectement ou de toute autre manière, aucune licence, aucun droit d'auteur, brevet ou demande de brevet appartenant à Motorola Solutions, autre que la licence habituelle d'utilisation non exclusive et libre de droits qui découle légalement de la vente du produit.

Contenu Open Source

Ce produit peut contenir un logiciel Open Source utilisé sous licence. Reportez-vous au support d'installation du produit pour consulter les mentions légales et les informations d'attribution Open Source complètes.

Directive relative aux déchets d'équipements électriques et électroniques (DEEE) pour l'Union européenne et pour le Royaume-Uni



La directive DEEE de l'Union européenne et celle du Royaume-Uni stipulent que les produits vendus au sein de l'UE et du Royaume-Uni doivent présenter le symbole d'une poubelle barrée (directement sur le produit ou sur l'emballage dans certains cas). Comme indiqué par la directive DEEE, l'étiquette de la poubelle barrée signifie que les clients et les utilisateurs finaux au sein de l'UE et du Royaume-Uni ne doivent pas mettre au rebut les équipements et les accessoires électriques et électroniques avec les déchets ménagers.

Les clients ou les utilisateurs finaux au sein de l'UE et du Royaume-Uni doivent prendre contact avec le représentant local du fournisseur de leur équipement ou le centre de service pour obtenir des informations sur le système de collecte des déchets dans leur pays.

Limitation de responsabilité

Veillez noter que certaines fonctionnalités, fonctions et caractéristiques décrites dans ce document peuvent ne pas s'appliquer ou faire l'objet d'une licence pour une utilisation sur un système spécifique, ou peuvent dépendre des caractéristiques d'un terminal radio mobile spécifique ou de la configuration de certains paramètres. Contactez votre représentant Motorola Solutions pour en savoir plus.

© 2023 Motorola Solutions, Inc. Tous droits réservés

Guide relatif à la sécurité du produit et à l'exposition aux fréquences radio pour les radios professionnelles portatives

ATTENTION :

Avant d'utiliser cet accessoire, lisez attentivement ce guide. Il contient des instructions de fonctionnement essentielles relatives à la sécurité et à l'exposition aux fréquences radio, ainsi que des informations sur le contrôle de conformité aux normes et réglementations applicables.

Lorsqu'il est connecté à la radio, le micro haut-parleur déporté est réservé à un usage professionnel pour des raisons de conformité avec la réglementation FCC/ICNIRP sur l'exposition aux fréquences radio. Avant d'utiliser ce produit, lisez les informations sur les fréquences radio et les instructions d'utilisation du livret relatif à la sécurité du produit et à l'exposition aux fréquences radio fourni avec votre radio pour connaître et appliquer les limites d'exposition aux fréquences radio.

Pour plus d'informations sur la compatibilité avec les radios, reportez-vous à la section [Compatibilité avec les radios à la page 9](#).

Sécurité acoustique

L'exposition pendant une période prolongée à un fort niveau sonore, quelle qu'en soit la source, peut provoquer des troubles auditifs temporaires ou permanents. Plus le volume de la radio est élevé, plus le trouble auditif peut se produire rapidement. Les troubles auditifs provoqués par un niveau sonore élevé ne se remarquent parfois pas immédiatement et peuvent s'additionner. Pour protéger votre audition :

- Utilisez le volume le plus bas possible pour effectuer votre travail.
- Augmentez le volume uniquement si vous êtes dans des environnements bruyants.
- Baissez le volume avant de porter le casque ou l'oreillette.
- Limitez votre temps d'utilisation des casques ou des oreillettes à un volume élevé.
- Lorsque vous utilisez la radio sans casque ni oreillette, ne placez pas le haut-parleur de la radio directement contre votre oreille.
- Si vous ressentez une gêne auditive, entendez des sifflements ou si les voix sont étouffées, arrêtez d'écouter votre radio avec le casque ou l'oreillette et faites vérifier votre audition par un médecin. Pour modifier le niveau du volume, reportez-vous à la brochure de sécurité des produits radio ou au Logiciel de programmation client (CPS) pour consulter les configurations du kit de surveillance puissant (xL).

Marques de certification



Adresse de contact

Contact pour l'Union européenne

Motorola Solutions,
Czerwone Maki 82,
30-392 Cracovie, Pologne

Contact pour le Royaume-Uni

Motorola Solutions UK Ltd.,
Nova South, 160 Victoria Street,
Londres, SW1E 5LB,
Royaume-Uni

Nous contacter

Le centre d'assistance centralisé (Centralized Managed Support Operations, CMSO) est le principal service d'assistance technique inclus dans le contrat de service que votre entreprise a signé avec Motorola Solutions.

Les clients disposant d'un contrat de service doivent appeler le centre CMSO dans toutes les situations répertoriées dans la section Responsabilités du client de leur contrat, notamment :

- Pour confirmer les analyses et le résultat du dépannage avant d'intervenir

Votre entreprise a reçu des numéros de téléphone d'assistance et d'autres informations de contact correspondant à votre zone géographique et à votre contrat de service. Ces informations de contact vous permettent d'obtenir la réponse la plus efficace possible. Cependant, vous pouvez également rechercher le numéro d'assistance générale sur le site Web de Motorola Solutions en cas de besoin. Pour ce faire :

- 1 Saisissez motorolasolutions.com dans votre navigateur.
- 2 Vérifiez que le pays ou la région de votre entreprise s'affiche sur la page. Pour changer de région, il vous suffit de cliquer ou d'appuyer sur son nom.
- 3 Sélectionnez Assistance sur la page motorolasolutions.com.

Commentaires

Pour tout commentaire ou question concernant la documentation utilisateur, contactez-nous à l'adresse documentation@motorolasolutions.com.

Veillez indiquer les informations suivantes lorsque vous signalez une erreur de documentation :

- Référence et titre du document
- Numéro de page ou titre de la section contenant l'erreur
- Description de l'erreur

Motorola Solutions propose plusieurs cours conçus pour approfondir la connaissance du système. Pour en savoir plus, rendez-vous sur <https://learning.motorolasolutions.com> pour découvrir les cours et parcours technologiques actuellement proposés.

Conventions concernant les icônes

La documentation a été conçue de façon à offrir divers repères visuels au lecteur. Les icônes graphiques suivantes sont utilisées dans toute la documentation.



DANGER :

Le terme DANGER et l'icône de sécurité associée impliquent que le non-respect des consignes peut provoquer des blessures graves, potentiellement mortelles.



AVERTISSEMENT :

Le terme AVERTISSEMENT et l'icône de sécurité associée impliquent des informations qui, si elles sont ignorées, peuvent provoquer de graves blessures, voire la mort, ou encore une sérieuse détérioration du produit.



ATTENTION :

Le terme ATTENTION et l'icône de sécurité associée impliquent des informations qui, si elles sont ignorées, peuvent provoquer des blessures légères ou modérées, ou encore une sérieuse détérioration du produit.

ATTENTION :

Le terme ATTENTION peut être utilisé sans l'icône de sécurité pour avertir d'éventuels blessures ou dommages non liés au produit.



IMPORTANT :

Le terme IMPORTANT implique des informations essentielles au sujet en cours, mais qui ne relèvent ni du niveau ATTENTION ni du niveau AVERTISSEMENT. Aucun niveau d'avertissement n'est associé aux annotations IMPORTANT.



REMARQUE :

Le terme REMARQUE implique des informations plus importantes que le texte qui les entourent, telles que des exceptions ou des conditions préalables. Elles indiquent également au lecteur où se reporter pour obtenir des informations complémentaires, lui rappellent comment effectuer une action (si celle-ci ne fait pas partie de la procédure en cours, par exemple) ou lui indiquent où se trouve un élément spécifique sur l'écran. Aucun niveau d'avertissement n'est associé aux annotations REMARQUE.

Table des matières

Informations légales et de sécurité.....	2
Propriété intellectuelle et avis réglementaires.....	2
Guide relatif à la sécurité du produit et à l'exposition aux fréquences radio pour les radios professionnelles portatives.....	3
Sécurité acoustique.....	3
Conformity Markings.....	3
Adresse de contact.....	4
Nous contacter.....	5
Conventions concernant les icônes.....	6
Chapitre 1 : Présentation du micro haut-parleur déporté.....	8
1.1 Compatibilité avec les radios.....	9
1.2 Accessoires agréés.....	9
1.3 Pièces de rechange.....	9
Chapitre 2 : Priorité du routage audio.....	11
2.1 Alarme de rappel de commutation audio.....	12
Chapitre 3 : Instructions d'utilisation.....	13
3.1 Fixation et retrait du micro haut-parleur déporté.....	13
Chapitre 4 : Paramètres recommandés de la radio.....	14
Chapitre 5 : Pratiques recommandées.....	15
5.1 Réception à partir d'un micro haut-parleur déporté.....	15
5.2 Transmission à partir d'un micro haut-parleur déporté.....	15
5.3 Utilisation de la prise audio.....	16
5.3.1 Ouverture et fermeture du cache de la prise audio.....	16
5.3.2 Insertion et retrait de la prise audio.....	17
5.4 Prise Nexus.....	17
5.5 Positions de port recommandées.....	18
5.6 Gestion des câbles.....	19
Chapitre 6 : Interface du micro haut-parleur déporté Nexus NS750.....	21
Chapitre 7 : Procédures de nettoyage.....	24
7.1 Procédure de nettoyage.....	24
7.2 Procédures de désinfection et de décontamination.....	25
Chapitre 8 : Dépannage et garantie.....	26

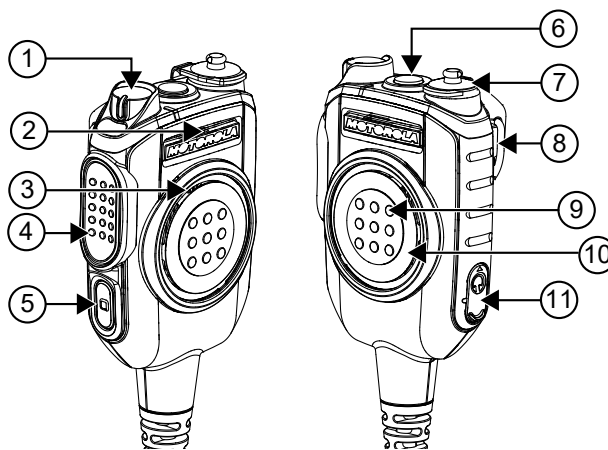
Chapitre 1

Présentation du micro haut-parleur déporté

Ce manuel s'applique aux micros haut-parleurs déportés suivants :

- PMMN4150 - Micro haut-parleur déporté omnidirectionnel NS750 IMPRES™ (avec câble long)
- PMMN4151 - Micro haut-parleur déporté omnidirectionnel NS750 IMPRES™ (avec câble court)

Figure 1 : Présentation du micro haut-parleur déporté



Élément	Description
1	Bouton de commutation audio
2	Microphone omnidirectionnel
3	Haut-parleur
4	Bouton PTT (Push-to-Talk) latéral
5	Bouton 1 point programmable
6	Bouton accessoire orange
7	Prise Nexus
8	Clip de ceinture
9	Bouton PTT (Push-to-Talk) avant
10	Emplacement de l'étiquette de languette PTT avant
11	Prise jack audio 3,5 mm ¹

¹ Prise jack audio 3,5 mm compatible avec le kit PMLN7188_ uniquement.

1.1

Compatibilité avec les radios

Les radios suivantes sont compatibles avec le micro haut-parleur déporté :

- MOTOTRBO R7 - nécessite le micrologiciel R02.22.03.1001 et versions ultérieures
- MXP600 - nécessite le micrologiciel R55.XX0.9840 et versions ultérieures

1.2

Accessoires agréés

Cette section contient la liste des accessoires agréés pour une utilisation avec votre micro haut-parleur déporté.

Oreillette

Tableau 1 : Oreillette

Référence	Description
PMLN7188_	Oreillette ATEX 3,5 mm pour réception uniquement avec tube translucide

Accessoires audio Nexus

Tableau 2 : Accessoires audio Nexus

Référence	Description
GMMN4585_ ^{2, 3}	Communication par casque Savox HC-1
GMMN4584_ ^{2, 3}	Communication par casque Savox HC-2
PMLN8265_ ^{2, 3}	Casque serre-tête avec Nexus
PMLN8266_ ^{2, 3}	Casque tour de cou avec Nexus
PMLN8267_ ^{2, 3}	Casque adapté aux casques de protection avec Nexus

Les performances audio d'autres accessoires de connexion Nexus branchés au micro haut-parleur déporté ne sont pas garanties car la compatibilité n'a pas été testée. Pour des performances optimales, placez le câble des accessoires Nexus à distance de l'antenne radio.

1.3

Pièces de rechange

Votre micro haut-parleur déporté ne peut pas être réparé. Les accessoires et pièces de rechange en option suivants peuvent être commandés auprès de Motorola Solutions.

Tableau 3 : Pièces de rechange

Référence	Description
0104068J78_	Clip de ceinture

² Les accessoires audio Nexus sont des accessoires non certifiés UL.

³ Le niveau du système est non certifié UL lorsqu'il est utilisé avec le micro haut-parleur déporté.

Référence	Description
PMLN8464_	Étiquette de languette PTT avant de rechange (verte)
PMLN8465_	Étiquette de languette PTT avant de rechange (bleue)
PMLN8466_	Étiquette de languette PTT avant de rechange (rouge)
PMLN8468_	Étiquette de languette PTT avant de rechange (jaune)
PMLN8469_	Étiquette de languette PTT avant de rechange (argent)
PMLN8523_	Étiquette de languette PTT avant de rechange (orange)

Chapitre 2

Priorité du routage audio

Figure 2 : Routage audio

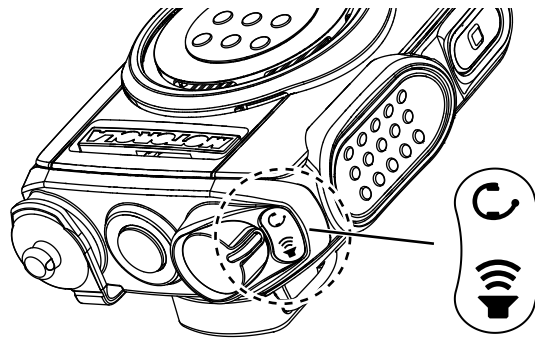





Tableau 4 : Priorité du routage audio


Mode bascule	Configuration	Routage de transmission (Tx)	Acheminement de réception (Rx)
 Micro haut-parleur déporté ou avec prise SAA	Micro haut-parleur déporté seul	Micro haut-parleur déporté (RSM)	Micro haut-parleur déporté (RSM)
	Micro haut-parleur déporté avec SAA Nexus	SAA Nexus	SAA Nexus
	Micro haut-parleur déporté avec SAA + SAA Nexus 3,5 mm	SAA Nexus	SAA Nexus
	Micro haut-parleur déporté avec SAA 3,5 mm	Micro haut-parleur déporté (RSM)	SAA 3,5 mm
 RSM uniquement	Micro haut-parleur déporté seul	Micro haut-parleur déporté (RSM)	Micro haut-parleur déporté (RSM)
	Micro haut-parleur déporté avec SAA Nexus	Micro haut-parleur déporté (RSM)	Micro haut-parleur déporté (RSM)
	Micro haut-parleur déporté avec SAA + SAA Nexus 3,5 mm	Micro haut-parleur déporté (RSM)	Micro haut-parleur déporté (RSM)
	Micro haut-parleur déporté avec SAA 3,5 mm	Micro haut-parleur déporté (RSM)	Micro haut-parleur déporté (RSM)

2.1

Alarme de rappel de commutation audio

Cette section contient des informations sur l'alarme de rappel de commutation audio.

Une alarme sonore à impulsion retentit dans les accessoires Nexus connectés lorsque le routage audio passe en mode .

Dans le cadre de la fonction de sécurité et afin d'éviter toute commutation audio erronée ou oubliée, l'alarme sonore est toujours activée. Pour un fonctionnement optimal, il est recommandé de passer en mode  lorsque vous portez l'accessoire Nexus.

Chapitre 3

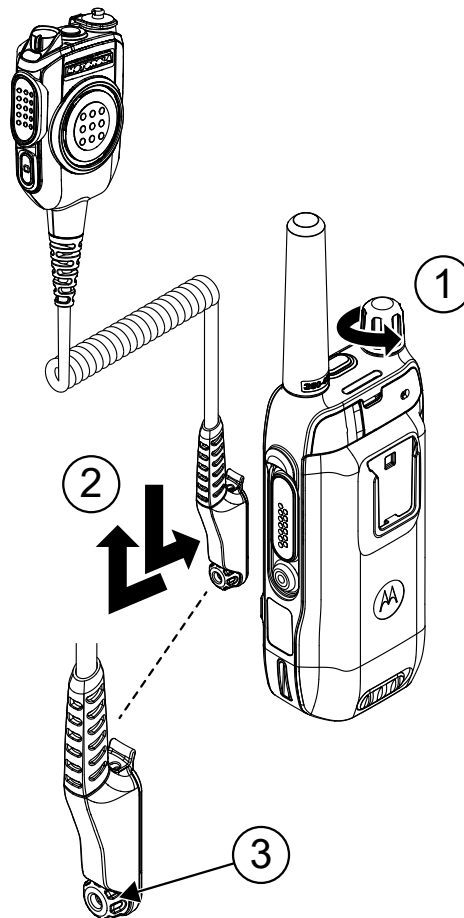
Instructions d'utilisation

Cette section contient des instructions concernant l'utilisation de votre micro haut-parleur déporté.

3.1

Fixation et retrait du micro haut-parleur déporté

Quand et où l'utiliser :



Élément	Description
1	Éteignez la radio.
2	Serrez ou desserrez la vis pour fixer ou retirer le micro haut-parleur déporté sur la radio.
3	Vis

Chapitre 4

Paramètres recommandés de la radio



REMARQUE :
applicable uniquement aux radios MOTOTRBO R7.

Menu principal→**Utilitaires**→**Paramètres radio**

Tableau 5 : Paramètres radio

Paramètres radio	Paramètres recommandés
Suppresseur de réaction acoustique	Activé
Préférence audio	Par défaut
Audio intelligent	Activé
Mic AGC-D	Activé
Suppresseur de bruit	Activé
Mode Direct	Activé

Chapitre 5

Pratiques recommandées

Cette section contient des informations sur les pratiques recommandées concernant le micro haut-parleur déporté.

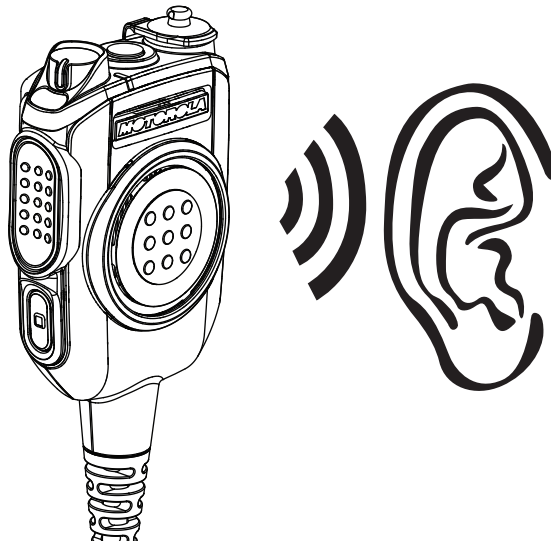
5.1

Réception à partir d'un micro haut-parleur déporté

Procédure :

Pour plus d'informations, reportez-vous à la section [Priorité du routage audio](#) à la page 11.

Figure 3 : Réception à partir du micro haut-parleur déporté



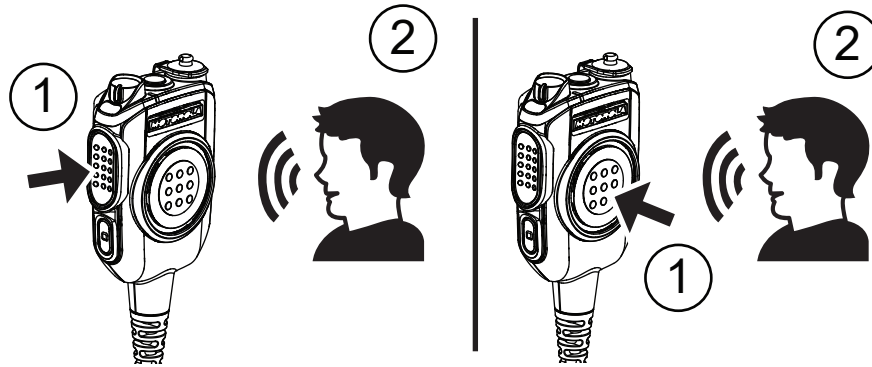
5.2

Transmission à partir d'un micro haut-parleur déporté

Procédure :

- 1 Maintenez le bouton **PTT** enfoncé.
- 2 Parlez près du microphone pour que vos paroles soient intelligibles par l'auditeur.

Figure 4 : Transmission à partir du micro haut-parleur déporté



5.3

Utilisation de la prise audio

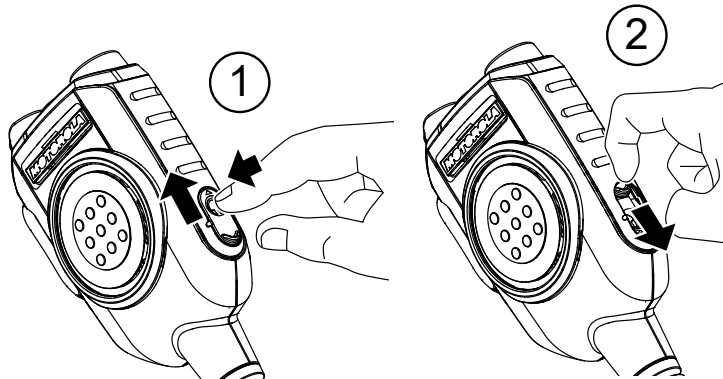
Cette section contient des informations sur les meilleures pratiques concernant la prise audio.

- Nettoyez ou retirez tout corps étranger de la prise audio avant utilisation.
- Recouvrez toujours la prise audio avec un cache anti-poussière lorsqu'aucun accessoire n'y est raccordé.

5.3.1

Ouverture et fermeture du cache de la prise audio

Quand et où l'utiliser :



Élément	Description
1	Poussez et faites glisser le cache

Élément	Description
2	Faites glisser le cache

5.3.2

Insertion et retrait de la prise audio

Quand et où l'utiliser :

Figure 5 : Branchement de la prise audio

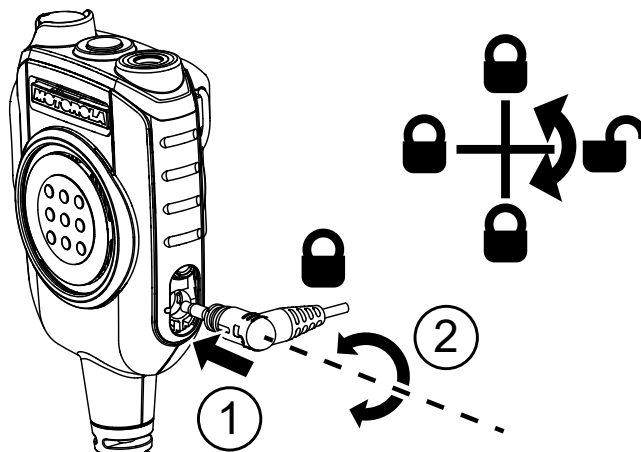
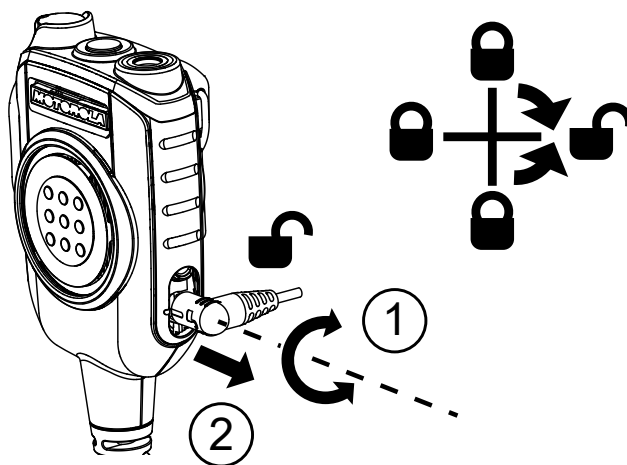


Figure 6 : Débranchement de la prise audio



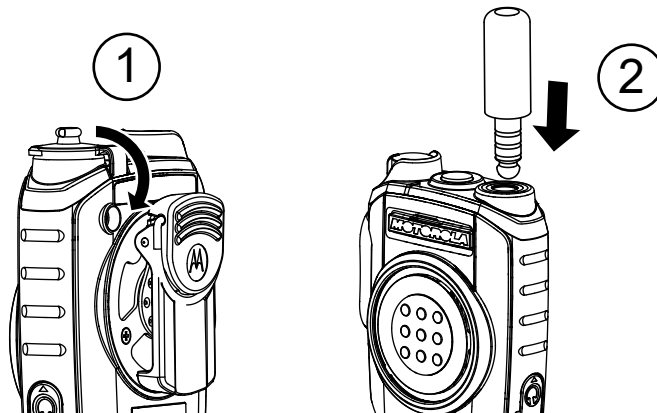
5.4

Prise Nexus

Cette section fournit des informations sur les meilleures pratiques concernant la prise Nexus

- Nettoyez ou retirez tout corps étranger de la prise avant utilisation.
- Recouvrez toujours la prise Nexus avec un cache anti-poussière lorsqu'aucun accessoire n'y est raccordé.

Figure 7 : Branchement de la prise Nexus



REMARQUE :

Il est recommandé d'éteindre votre radio avant de brancher ou de débrancher les accessoires Nexus.

5.5

Positions de port recommandées

Cette section décrit la position de port recommandée du micro haut-parleur déporté.

Figure 8 : Micro haut-parleur déporté avec câble long

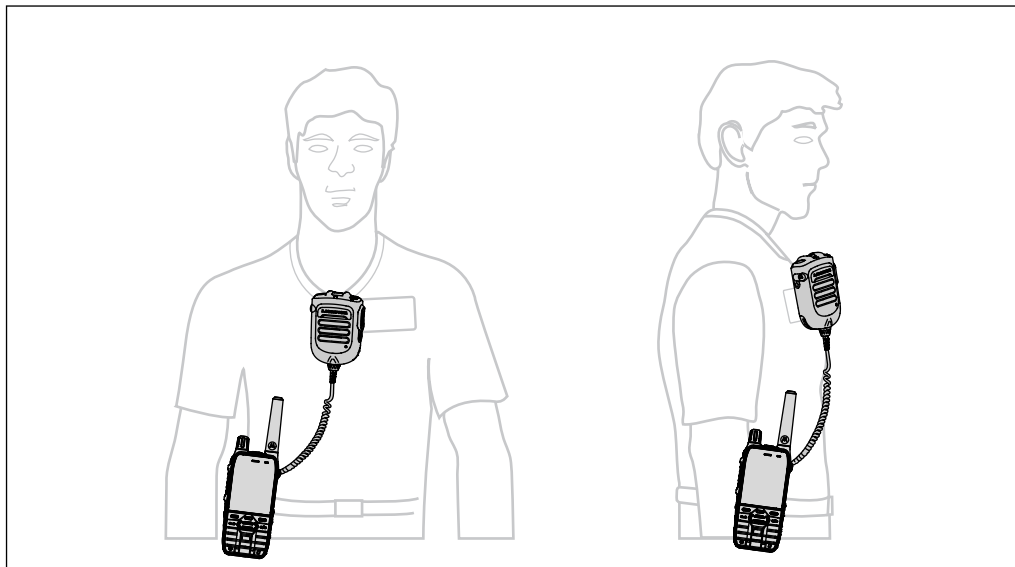
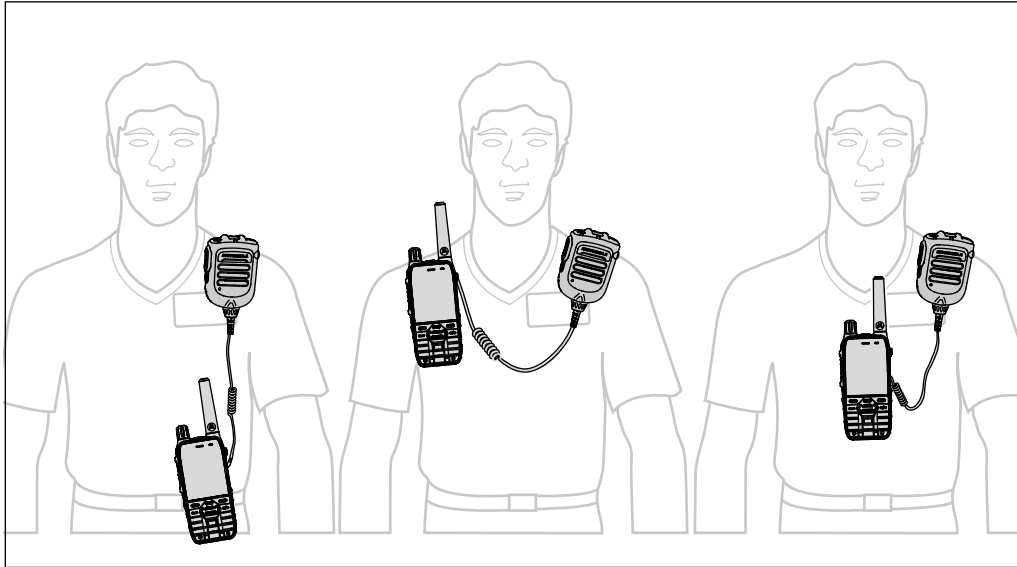


Figure 9 : Micro haut-parleur déporté avec câble court



REMARQUE :

La position de port recommandée de la radio sur le revers de la veste est réservée aux radios légères.

5.6

Gestion des câbles

Cette section décrit la position recommandée des câbles.

Figure 10 : Position recommandée

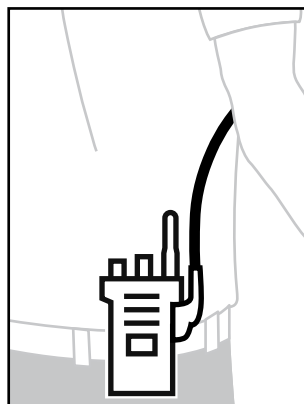
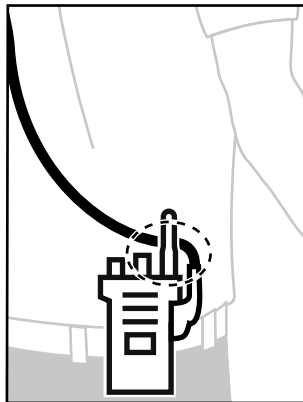


Figure 11 : Position non recommandée



Pour garantir une portée maximale et une expérience utilisateur optimale, évitez de mettre le câble de l'accessoire en contact avec l'antenne de la radio.

Chapitre 6

Interface du micro haut-parleur déporté Nexus NS750

Cette section décrit l'interface du micro haut-parleur déporté Nexus lorsqu'il est connecté à différents types d'accessoires audio Nexus secondaires.

Figure 12 : Connecteur Nexus

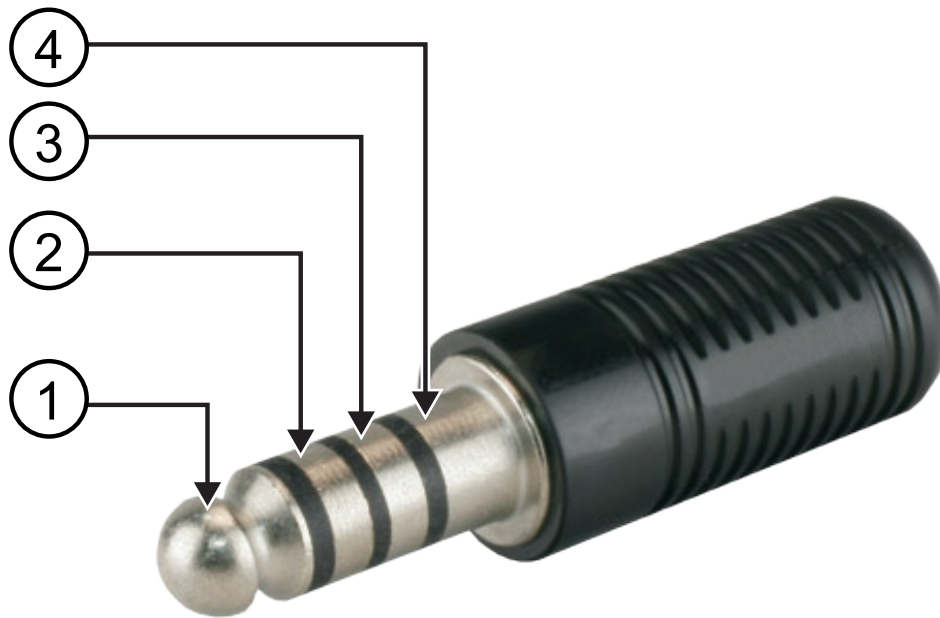


Tableau 6 : Connecteur Nexus

Annotation	Description du connecteur Nexus
1	Embout (broche 1)
2	Anneau 1 (broche 2)
3	Anneau 2 (broche 3)
4	Manchon (broche 4)

Tableau 7 : Interface du micro haut-parleur déporté Nexus NS750

Paramètre	Valeur	
Micro à électret + processeur DSP		
Chemin	Chemin 1	
Impédance du micro	Ouverte	
Tension pour la détection du micro (broche 2 à broche 1 par rapport à la tension de référence (1,1 V))	Supérieure à la tension de référence à la broche 2	
Brochage	Affectation du brochage	Remarques
Broche 1	TERRE	TERRE
Broche 2	Microphone+	> 1,1 V (supérieure à la tension de référence)
Broche 3	Non connectée	Non applicable (NA)
Broche 4	Haut-parleur à terminaison simple	Audio à terminaison simple
Gain micro avec le micro haut-parleur déporté	+6 dB	
Sensibilité des composants du micro recommandée	Micro à électret avec processeur DSP	
Impédance des haut-parleurs	À déterminer par le fournisseur	
Sécurité audio recommandée par Motorola Solutions	≈ <118 dBSPL (crête)	
Micro à électret		
Chemin	Chemin 2	
Impédance du micro	≈ <1 kΩ	
Tension pour la détection du micro (broche 2 à broche 1 par rapport à la tension de référence (1,1 V))	Inférieure à la tension de référence à la broche 2	
Brochage	Affectation du brochage	Remarques
Broche 1	TERRE	TERRE
Broche 2	Microphone+	< 1,1 V (inférieure à la tension de référence)
Broche 3	Haut-parleur+	Audio équilibré
Broche 4	Haut-parleur-	
Gain micro avec le micro haut-parleur déporté	+22 dB	
Sensibilité des composants du micro recommandée	Micro à électret (≈ -60 dB par rapport à 1V/Pa)	
Impédance des haut-parleurs	À déterminer par le fournisseur	

Paramètre	Valeur	
Sécurité audio recommandée par Motorola Solutions	≈ <118 dBSPL (crête)	
Conduction osseuse/accéléromètre		
Chemin	Chemin 3	
Impédance du micro	≈ <1 kΩ	
Tension pour la détection du micro (broche 3 à broche 1 par rapport à la tension de référence (1,1 V))	Inférieure à la tension de référence à la broche 3	
Brochage	Affectation du brochage	Remarques
Broche 1	TERRE	TERRE
Broche 2	Non connectée	Non applicable (NA)
Broche 3	Accessoires à conduction osseuse Microphone	< 1,1 V (inférieure à la tension de référence)
Broche 4	Haut-parleur à terminaison simple	Audio à terminaison simple
Gain micro avec le micro haut-parleur déporté	+29 dB	
Sensibilité des composants du micro recommandée	Impédance et sensibilité aux vibrations du micro	
Impédance des haut-parleurs	À déterminer par le fournisseur	
Sécurité audio recommandée par Motorola Solutions	≈ <118 dBSPL (crête)	

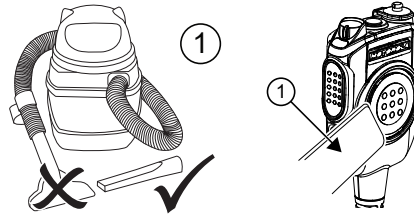
Chapitre 7

Procédures de nettoyage

Cette section contient des informations sur les procédures de nettoyage du micro haut-parleur déporté.

Étape facultative : environnement avec beaucoup de débris

Avant d'effectuer un nettoyage général, nettoyez l'avant du RSM à l'aide d'un aspirateur.



AVERTISSEMENT :

Les éléments suivants annulent la garantie :

- Utilisation d'un aspirateur d'une puissance supérieure à 4 hp/3 kW.
- Tout autre embout d'aspiration autre qu'un embout plat.
- Toute autre méthode de nettoyage.

7.1

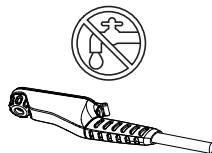
Procédure de nettoyage

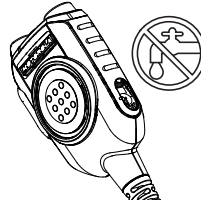
Quand et où l'utiliser :



AVERTISSEMENT :

- Assurez-vous de ne pas mouiller le connecteur.
- Ne versez pas d'eau dans la prise Nexus ou la prise audio.
- Recouvrez la prise Nexus ou la prise audio avec le cache anti-poussière lorsqu'elle l'oreillette n'y est pas raccordée.
- Si de l'eau pénètre dans la prise Nexus ou la prise audio, secouez le micro haut-parleur déporté pour retirer l'eau.



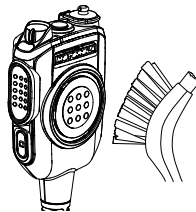


AVERTISSEMENT :

utilisez uniquement du liquide vaisselle et de l'eau. L'utilisation d'autres produits de nettoyage risque d'endommager le boîtier du RSM de manière définitive et annule la garantie. Ne pas laisser l'appareil mouillé plus de 30 minutes.

Procédure :

- 1 Mélangez une cuillère à café de liquide vaisselle doux dans 4 litres d'eau (solution à 0,5 %).
- 2 Appliquez la solution avec une brosse rigide en nylon et à poils courts.



AVERTISSEMENT :

ne laissez pas les poils de la brosse pénétrer dans le haut-parleur ou dans les ports du microphone. Cela risque de provoquer des dommages internes et annule la garantie.

- 3 Rincez entièrement le RSM à l'eau froide et séchez-le soigneusement avec un chiffon doux non pelucheux.
- 4 Tenez le RSM avec la surface avant tournée vers le bas, puis secouez-le légèrement plusieurs fois pour évacuer toute goutte d'eau qui pourrait se trouver sous la grille du haut-parleur ou les ports du microphone.

7.2

Procédures de désinfection et de décontamination

Motorola Solutions propose des recommandations de nettoyage et de désinfection de votre micro haut-parleur déporté, fondées sur une solide compréhension des règles d'hygiène actuelles.

D'après les autorités mondiales de la santé, l'élimination des microbes, des saletés et des impuretés de toute surface permet de réduire les risques de propagation des infections. Les désinfectants et décontaminants suivants peuvent être utilisés pour désinfecter votre micro haut-parleur déporté :

- Lingettes décontaminantes Dewipe

Chapitre 8

Dépannage et garantie

Motorola Solutions offre une garantie standard d'un an. Contactez votre distributeur Motorola Solutions pour plus d'informations sur la garantie standard.

Pour plus d'informations

Contactez votre revendeur agréé Motorola Solutions ou rendez-vous sur www.motorolasolutions.com.



Omnidirectionele externe NS750 IMPRES™ - luidsprekermicrofoon PMMN4150 en PMMN4151

JULI 2023

© 2023 Motorola Solutions, Inc. All rights reserved



MN009167A01-AE

Veiligheid en juridische zaken

In dit gedeelte vindt u informatie over de veiligheid en juridische zaken van dit product.

Kennisgevingen over intellectueel eigendom en regelgeving

Auteursrechten

De Motorola Solutions-producten die in dit document worden beschreven, bevatten mogelijk auteursrechtelijk beschermde computerprogramma's van Motorola Solutions. Volgens de wetgeving in de Verenigde Staten en andere landen behoudt Motorola Solutions zich bepaalde exclusieve rechten voor op auteursrechtelijk beschermde computerprogramma's. Auteursrechtelijk beschermde computerprogramma's van Motorola Solutions die in dit document worden beschreven, mogen daarom op geen enkele wijze worden gekopieerd of verspreid zonder de uitdrukkelijke schriftelijke toestemming van Motorola Solutions.

Niets uit dit document mag worden verveelvoudigd, overgedragen, opgeslagen op een systeem voor het ophalen van informatie, of vertaald in een andere taal of computertaal, in enige vorm of op enige wijze, zonder voorafgaande schriftelijke toestemming van Motorola Solutions, Inc.

Handelsmerken

MOTOROLA, MOTO, MOTOROLA SOLUTIONS en het gestileerde M-logo zijn handelsmerken of geregistreerde handelsmerken van Motorola Trademark Holdings, LLC en worden op grond van licenties gebruikt. Alle overige handelsmerken zijn het eigendom van hun respectieve eigenaren.

Licentierechten

Aan de aankoop van Motorola Solutions-producten kan geen gebruiksrecht worden ontleend krachtens auteursrechten, patenten of gepatenteerde applicaties van Motorola Solutions, direct noch indirect, door juridische uitsluiting noch anderszins, behalve het normale, niet-exclusieve recht, vrij van royalty's, op gebruik van rechtswege bij de verkoop van een product.

Open source-inhoud

Dit product bevat mogelijk open source-software die onder licentie wordt gebruikt. Raadpleeg de installatiemedia voor het product voor volledige juridische kennisgevingen en bronvermeldingen voor open source.

De richtlijn inzake afgedankte elektrische en elektronische apparatuur (AEEA) van de Europese Unie (EU) en het Verenigd Koninkrijk (VK)



De richtlijn AEEA van de Europese Unie en die van het VK vereisen dat producten die in de landen van de EU en in het VK worden verkocht (of in sommige gevallen de verpakking daarvan), moeten zijn voorzien van het etiket met een doorgekruiste vuilnisbak. Zoals bepaald door de richtlijn AEEA, betekent dit etiket met de doorgekruiste vuilnisbak dat klanten en eindgebruikers in de landen van de EU en in het VK elektrische en elektronische apparatuur of toebehoren niet met het huisvuil mogen afvoeren.

Klanten en eindgebruikers binnen de EU en het VK moeten contact opnemen met hun plaatselijke leverancier of onderhoudscentrum voor informatie over het afvalinzamelsysteem in hun land.

Afwijzing van aansprakelijkheid

Houd er rekening mee dat bepaalde functies, voorzieningen en mogelijkheden die in dit document worden beschreven mogelijk niet van toepassing zijn op of in licentie zijn verstrekt voor gebruik op een bepaald systeem, of mogelijk afhankelijk zijn van de eigenschappen van een bepaalde mobiele abonnee-eenheid of configuratie van bepaalde parameters. Neem voor meer informatie contact op met uw contactpersoon bij Motorola Solutions.

© 2023 Motorola Solutions, Inc. Alle rechten voorbehouden

Blootstelling aan radiogolven en productveiligheid voor draagbare radiozondontvangers

LET OP:

Lees deze handleiding alvorens deze draagbare accessoire in gebruik te nemen. Het bevat belangrijke bedieningsinstructies voor veilig gebruik, beperking van blootstelling aan radiogolven en naleving van de relevante normen en regelgeving.

Wanneer de externe luidsprekermicrofoon (RSM) op de portofoon is aangesloten, mag deze enkel beroepsmatig worden gebruikt om te voldoen aan de FCC-/ICNIRP-vereisten voor blootstelling aan radiogolven. Lees voor gebruik van dit product de waarschuwinginformatie over radiogolven en de bedieningsinstructies in de handleiding Productveiligheid en blootstelling aan radiogolven die u bij uw portofoon heeft ontvangen om ervoor te zorgen dat de blootstellingslimieten voor radiogolven worden nageleefd.

Voor informatie over radiocompatibiliteit raadpleegt u [Portofooncompatibiliteit op pagina 9](#).

Akoestische veiligheid

Langdurige blootstelling aan harde geluiden uit welke bron dan ook kan uw gehoor tijdelijk of permanent aantasten. Hoe luider het portofoonvolume, des te sneller uw gehoor kan worden aangetast. Gehoorschade als gevolg van hard geluid wordt in eerste instantie vaak niet opgemerkt en kan een cumulatief effect hebben. Bescherm uw gehoor:

- Gebruik een zo laag mogelijk volume om uw werk te doen.
- Zet het volume alleen hoger als u zich in een rumoerige omgeving bevindt.
- Zet het volume lager voordat u een headset of oortelefoon opzet.
- Gebruik headsets of oortelefoons zo kort mogelijk wanneer het volume hoog staat.
- Wanneer u de portofoon zonder headset of oortelefoon gebruikt, mag u de luidspreker niet direct tegen uw oor houden.
- Als het geluid hinderlijk wordt voor uw oren, als u een piepend geluid hoort of als u de stemmen slecht verstaat, moet u direct stoppen met het luisteren naar uw portofoon via een headset of oortelefoon. Bezoek een arts om uw oren te laten controleren. Als u het volume wilt wijzigen, gaat u naar het veiligheidsblad over de productveiligheid van de portofoon of naar de CPS-configuraties (Customer Programming Software) van de bewakingskit extra luid (xL).

Keurmerken



Contactadres

Contact Europese Unie

Motorola Solutions

Czerwone Maki 82

30-392 Krakau, Polen

Contact VK

Motorola Solutions UK Ltd.,

Nova South, 160 Victoria Street,

Londen, SW1E 5LB,

Verenigd Koninkrijk

Contact opnemen

In de serviceovereenkomst van uw organisatie met Motorola Solutions is de gecentraliseerde ondersteuningsdienst (CMSO) de primaire contactoptie voor technische ondersteuning.

Klanten met een serviceovereenkomst moeten dus de CMSO bellen in alle situaties die worden vermeld in hun overeenkomst onder Klantverantwoordelijkheden, zoals:

- Om de resultaten van probleemoplossing en analyse te bevestigen voordat u actie onderneemt

Uw organisatie heeft telefoonnummers voor ondersteuning en andere contactinformatie ontvangen die hoort bij uw geografische regio en serviceovereenkomst. Gebruik die contactinformatie voor de meest efficiënte respons. Indien nodig kunt u ook contactgegevens voor algemene ondersteuning vinden op de Motorola Solutions-website, door de volgende stappen de volgen:

- 1 Voer motorolasolutions.com in uw browser in.
- 2 Zorg ervoor dat het land of de regio van uw organisatie wordt weergegeven op de pagina. Door te klikken of te tikken op de naam van de regio krijgt u de mogelijkheid om die te veranderen.
- 3 Selecteer 'Ondersteuning' op de pagina motorolasolutions.com.

Opmerkingen

Stuur vragen en opmerkingen over de gebruikersdocumentatie naar documentation@motorolasolutions.com.

Geef de volgende informatie door wanneer u een documentatiefout meldt:

- De titel van het document en het onderdeelnummer
- Het paginanummer of de titel van het gedeelte met de fout
- Een beschrijving van de fout

Motorola Solutions biedt diverse cursussen aan die zijn ontworpen om het systeem beter te leren kennen. Ga voor meer informatie naar <https://learning.motorolasolutions.com> en bekijk onze huidige cursussen en technologiepaden.

Conventies voor pictogrammen

Deze documentatieset is ontwikkeld om de lezer meer visuele aanwijzingen te geven. De volgende pictogrammen worden in de gehele documentatieset gebruikt.



GEVAAR: Het signaalwoord GEVAAR met het bijbehorende pictogram wijst op informatie die, als deze niet wordt opgevolgd, leidt tot zwaar of dodelijk letsel.



WAARSCHUWING: Het signaalwoord WAARSCHUWING met het bijbehorende pictogram wijst op informatie die, als deze niet wordt opgevolgd, kan leiden tot zwaar of zelfs dodelijk letsel of ernstige schade aan het product.



LET OP: Het signaalwoord VOORZICHTIG met het bijbehorende pictogram wijst op informatie die, als deze niet wordt opgevolgd, kan leiden tot licht of middelzwaar letsel of ernstige schade aan het product.

LET OP: Het signaalwoord VOORZICHTIG kan zonder veiligheidspictogram worden gebruikt om te wijzen op mogelijke schade die of mogelijk letsel dat geen verband houdt met het product.



BELANGRIJK: Opmerkingen met het signaalwoord BELANGRIJK bevatten informatie die cruciaal is voor het behandelde onderwerp, maar niet het niveau van VOORZICHTIG of WAARSCHUWING heeft. Aan een BELANGRIJKE opmerking is geen waarschuwniveau gekoppeld.



OPMERKING: OPMERKING wijst op informatie die belangrijker is dan de omringende tekst, zoals uitzonderingen of randvoorwaarden. Dit verwijst de lezer ook naar elders voor aanvullende informatie, herinnert de lezer eraan hoe een actie moet worden uitgevoerd (wanneer deze bijvoorbeeld geen deel uitmaakt van de betreffende procedure) of vertelt de lezer waar iets op het scherm staat. Aan een opmerking is geen waarschuwniveau gekoppeld.

Inhoud

Veiligheid en juridische zaken.....	2
Kennisgevingen over intellectueel eigendom en regelgeving.....	2
Blootstelling aan radiogolven en productveiligheid voor draagbare radiozondontvangers.....	3
Akoestische veiligheid.....	3
Conformity Markings.....	3
Contactadres.....	4
Contact opnemen.....	5
Conventies voor pictogrammen.....	6
Hoofdstuk 1: Overzicht externe luidsprekermicrofoon.....	8
1.1 Portofooncompatibiliteit.....	9
1.2 Goedgekeurde accessoires.....	9
1.3 Vervangende onderdelen.....	9
Hoofdstuk 2: Audiorouteringsprioritering.....	11
2.1 Herinneringsalarm voor schakelen van audio.....	11
Hoofdstuk 3: Bedieningsinstructies.....	12
3.1 De externe luidsprekermicrofoon (RSM) aankoppelen en ontkoppelen.....	12
Hoofdstuk 4: Aanbevolen radio-instellingen.....	13
Hoofdstuk 5: Aanbevolen gebruik.....	14
5.1 Ontvangen vanaf externe luidsprekermicrofoon (RSM).....	14
5.2 Verzenden vanaf externe luidsprekermicrofoon (RSM).....	14
5.3 Gebruik van de audioaansluiting.....	15
5.3.1 De afdekking van de audioaansluiting openen en sluiten.....	15
5.3.2 Audioaansluiting aankoppelen en verwijderen.....	15
5.4 Nexus-aansluiting.....	16
5.5 Aanbevolen draagwijzen.....	17
5.6 Kabelbeheer.....	18
Hoofdstuk 6: NS750 Nexus RSM-interface.....	20
Hoofdstuk 7: Reinigingsprocedures.....	23
7.1 Reinigingsprocedure:.....	23
7.2 Procedures voor desinfectie en reiniging.....	24
Hoofdstuk 8: Service en garantie.....	25

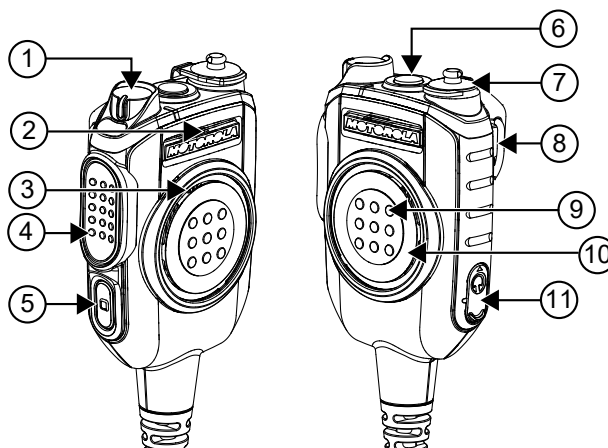
Hoofdstuk 1

Overzicht externe luidsprekermicrofoon

Deze handleiding is van toepassing op de volgende externe luidsprekermicrofoons (RSM):

- PMMN4150 - Omnidirectionele externe NS750 IMPRES™-luidsprekermicrofoon (met lange kabel)
- PMMN4151 - Omnidirectionele externe NS750 IMPRES™-luidsprekermicrofoon (met korte kabel)

Afbeelding 1: Overzicht RSM



Item	Beschrijving
1	Schakelknop voor audio
2	Omni-microfoon
3	Luidspreker
4	Zijknop Push-To-Talk (PTT)
5	1-stips programmeerbare knop
6	Accessoireknop (oranje)
7	Nexus-aansluiting
8	Riemklem
9	PTT-knop voorzijde
10	Plaatsing label PTT-paneel voorzijde
11	3,5 mm audio-aansluiting ¹

¹ 3,5mm-audio-aansluiting is alleen compatibel met set PMLN7188_.

1.1

Portofooncompatibiliteit

De volgende portofoons zijn compatibel met de externe luidsprekermicrofoon (RSM):

- MOTOTRBO R7 - vereist firmware R02.22.03.1001 of hoger
- MXP600 - vereist firmware R55.XX0.9840 of hoger

1.2

Goedgekeurde accessoires

In dit gedeelte vindt u een lijst met goedgekeurde accessoires voor gebruik met uw externe luidsprekermicrofoon (RSM).

Oortelefoon

Tabel 1: Oortelefoon

Onderdeelnummer	Beschrijving
PMLN7188_	ATEX 3,5mm-oortelefoon met doorzichtige buis voor alleen ontvangst

Audio Nexus-accessoires

Tabel 2: Audio Nexus-accessoires

Onderdeelnummer	Beschrijving
GMMN4585_ ^{2,3}	Savox HC-1-helmcommunicator
GMMN4584_ ^{2,3}	Savox HC-2-helmcommunicator
PMLN8265_ ^{2,3}	Headset met Nexus aan hoofdband
PMLN8266_ ^{2,3}	Headset met Nexus aan nekband
PMLN8267_ ^{2,3}	Headset met Nexus aan helm

De audioprestaties van andere Nexus-aansluitingsaccessoires die op de RSM zijn aangesloten zijn niet gegarandeerd, omdat de compatibiliteit hiervan niet is getest. Voor optimale prestaties plaatst u de Nexus-accessoirekabel uit de buurt van de portofoonantenne.

1.3

Vervangende onderdelen

Uw RSM kan niet worden gerepareerd. De volgende optionele accessoires en vervangende onderdelen kunnen worden besteld bij Motorola Solutions.

Tabel 3: Vervangende onderdelen

Onderdeelnummer	Beschrijving
0104068J78_	Riemklem

² De Audio Nexus-accessoires zijn accessoires die niet door UL zijn goedgekeurd.

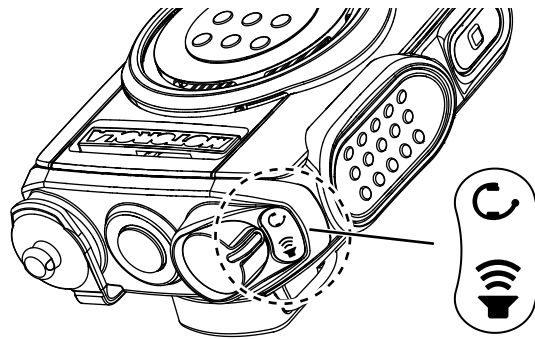
³ Het systeemniveau heeft geen UL-markering wanneer gebruikt met de RSM.

Onderdeelnummer	Beschrijving
PMLN8464_	Vervangend label PTT-paneel voorzijde (groen)
PMLN8465_	Vervangend label PTT-paneel voorzijde (blauw)
PMLN8466_	Vervangend label PTT-paneel voorzijde (rood)
PMLN8468_	Vervangend label PTT-paneel voorzijde (geel)
PMLN8469_	Vervangend label PTT-paneel voorzijde (zilver)
PMLN8523_	Vervangend label PTT-paneel voorzijde (oranje)



Hoofdstuk 2

Audiorouteringsprioritering

Afbeelding 2: Audionavigatie




Tabel 4: Audiorouteringsprioritering


Schakelmodus	Configuratie	Verzendroutering (Tx)	Ontvangstrouering (Rx)
 RSM of met SAA-aansluiting	Alleen RSM	RSM	RSM
	RSM met Nexus SAA	Nexus SAA	Nexus SAA
	RSM met SAA (3,5 mm) + Nexus SAA	Nexus SAA	Nexus SAA
	RSM met SAA (3,5 mm)	RSM	SAA (3,5 mm)
 Alleen RSM	Alleen RSM	RSM	RSM
	RSM met Nexus SAA	RSM	RSM
	RSM met SAA (3,5 mm) + Nexus SAA	RSM	RSM
	RSM met SAA (3,5 mm)	RSM	RSM

2.1

Herinneringsalarm voor schakelen van audio

In dit gedeelte vindt u informatie over het herinneringsalarm voor het schakelen van de audio.

Er klinkt een pulserend geluidssignaal in de aangesloten Nexus-accessoires als de audioroutering wordt overgeschakeld naar de -modus.

Als onderdeel van de veiligheidsfunctie om te voorkomen dat de audio foutief wordt geschakeld of vergeten, is het geluidsalarm altijd ingeschakeld. Het wordt aanbevolen om de audio in de -modus te zetten wanneer u een Nexus-accessoire draagt voor gebruik.

Hoofdstuk 3

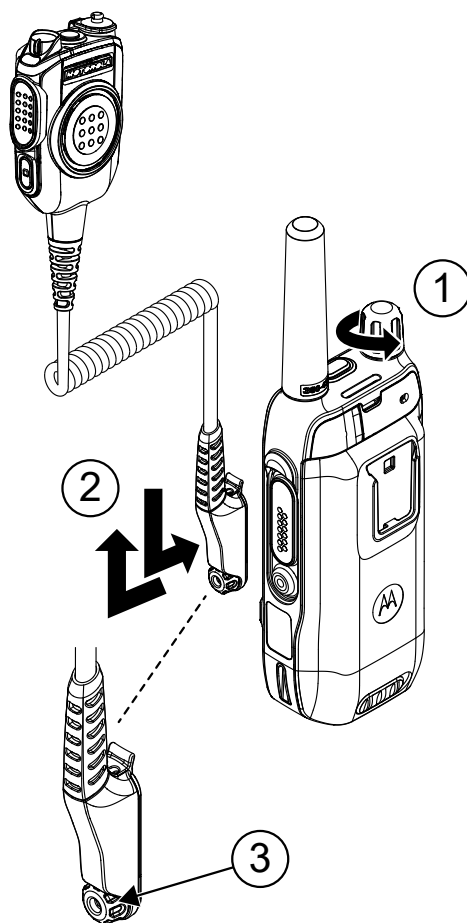
Bedieningsinstructies

In dit gedeelte vindt u richtlijnen voor het gebruik van de externe luidsprekermicrofoon.

3.1

De externe luidsprekermicrofoon (RSM) aankoppelen en ontkoppelen

Waar en wanneer gebruiken:



Item	Beschrijving
1	Schakel de portofoon uit.
2	Draai de schroef vast of los om de RMS aan de portofoon te koppelen of om deze te ontkoppelen.
3	Duimschroef

Hoofdstuk 4

Aanbevolen radio-instellingen



OPMERKING: Alleen van toepassing op MOTOTRBO R7-portofoons.

Hoofdmenu→Hulpmiddelen→Portofooninstellingen

Tabel 5: Portofooninstellingen

Portofooninstellingen	Aanbevolen instellingen
AF-onderdrukker	Aan
Audiovoorkeur	Standaard
Intelligente audio	Aan
Mic AGC-D	Aan
Geluidsonderdrukker	Aan
Talkaround	Aan

Hoofdstuk 5

Aanbevolen gebruik

In dit gedeelte vindt u informatie over de aanbevolen werkwijzen voor de externe luidsprekermicrofoon (RSM).

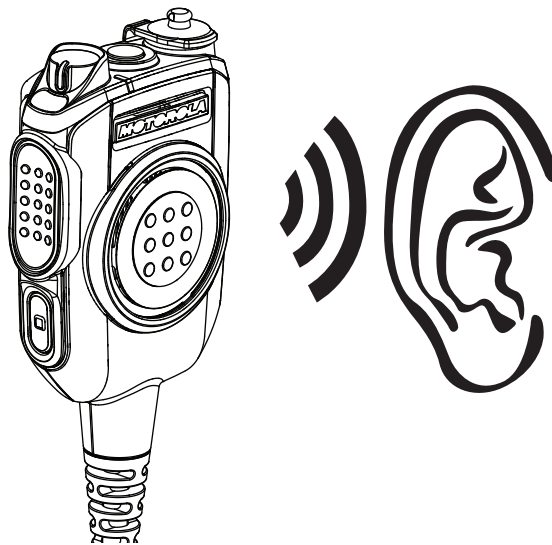
5.1

Ontvangen vanaf externe luidsprekermicrofoon (RSM)

Procedure:

Zie [Audiorouteringsprioritering op pagina 11](#) voor meer informatie.

Afbeelding 3: Ontvangen van RSM



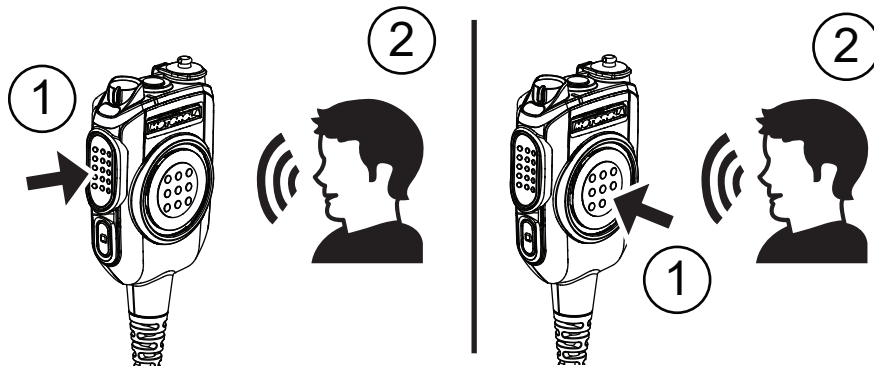
5.2

Verzenden vanaf externe luidsprekermicrofoon (RSM)

Procedure:

- 1 Houd de knop **PTT** ingedrukt.
- 2 Spreek goed in de microfoon voor de beste spraakoverdracht.

Afbeelding 4: Verzenden vanaf RSM



5.3

Gebruik van de audioaansluiting

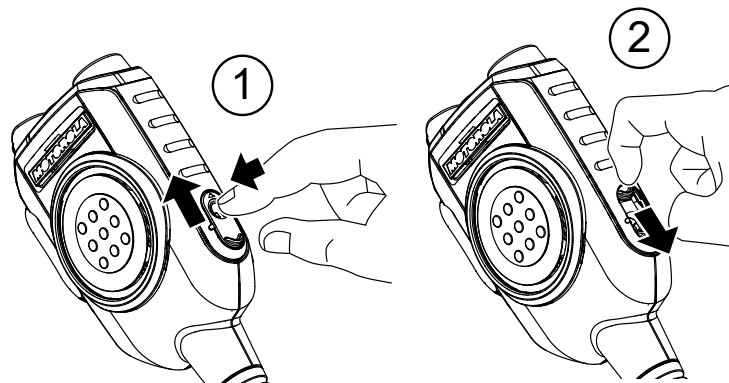
Dit gedeelte bevat informatie over de aanbevolen werkwijzen voor audioaansluitingen.

- Reinig of verwijder al het vreemde materiaal uit de audioaansluiting voordat u het apparaat gebruikt.
- Dek de audiopoort altijd af met de stofkap als er niets is aangesloten.

5.3.1

De afdekking van de audioaansluiting openen en sluiten

Waar en wanneer gebruiken:



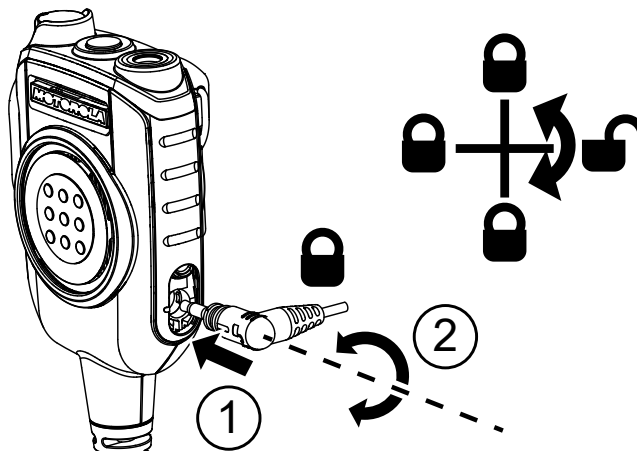
Item	Beschrijving
1	Duw en verschuif de afdekking
2	Verschuif de afdekking

5.3.2

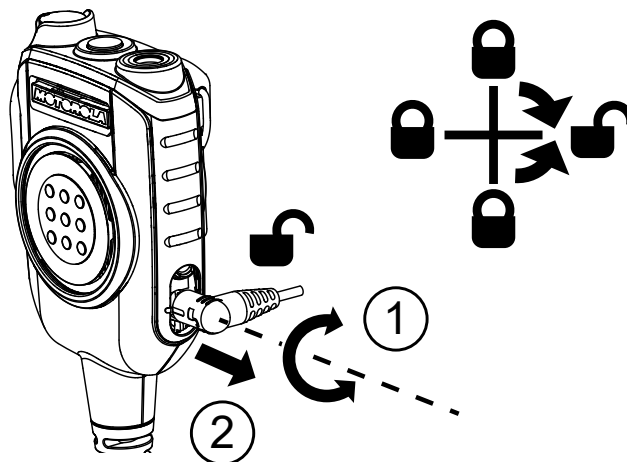
Audioaansluiting aankoppelen en verwijderen

Waar en wanneer gebruiken:

Afbeelding 5: Audioaansluiting aansluiten



Afbeelding 6: Audioaansluiting loskoppelen



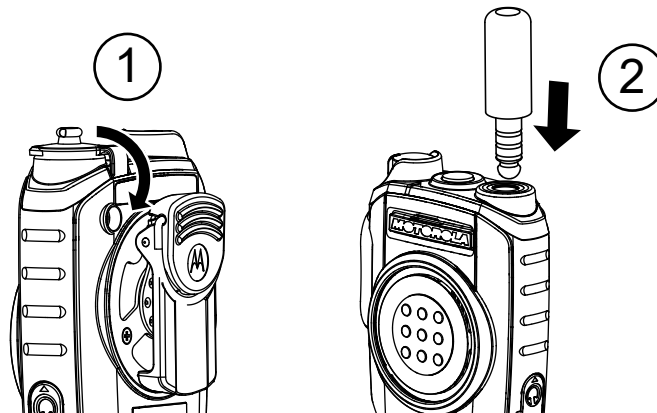
5.4

Nexus-aansluiting

Dit gedeelte bevat informatie over de aanbevolen werkwijzen voor Nexus-aansluitingen

- Reinig of verwijder al het vreemde materiaal uit de aansluiting voordat u het apparaat gebruikt.
- Dek de Nexus-aansluiting altijd af met de stofkap als er niets is aangesloten.

Afbeelding 7: Nexus-aansluiting aansluiten



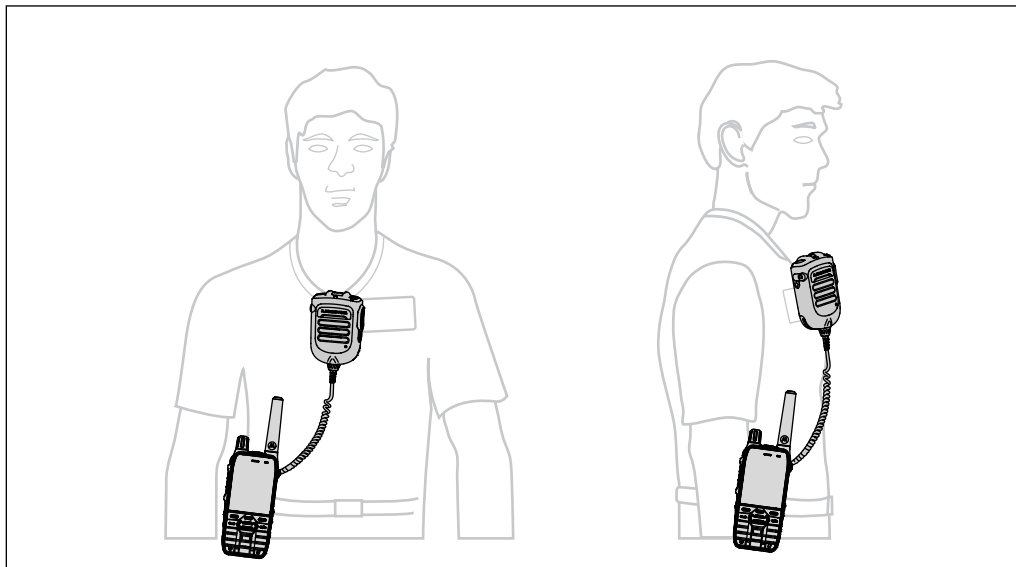
OPMERKING: Het wordt aanbevolen uw portfofon uit te schakelen alvorens de Nexus-accessoires aan te sluiten of los te koppelen.

5.5

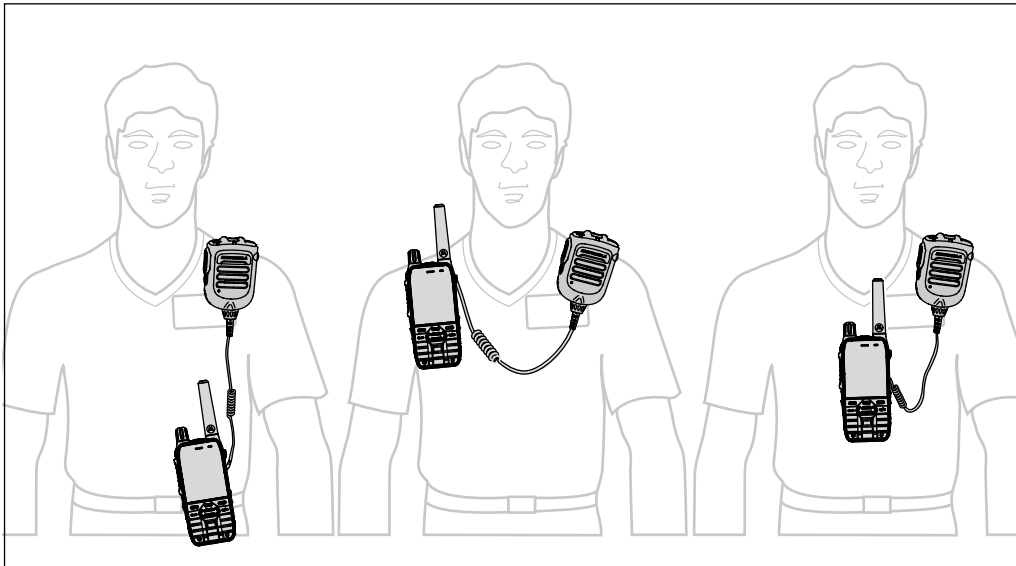
Aanbevolen draagwijzen

In dit gedeelte wordt de aanbevolen draagpositie van de externe luidsprekermicrofoon (RSM) beschreven.

Afbeelding 8: RSM met lange kabel



Afbeelding 9: RSM met korte kabel



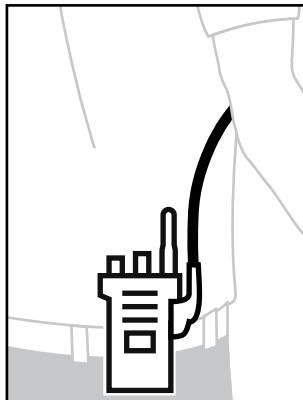
OPMERKING: De aanbevolen draagpositie van de portfoon op het revers is alleen voor lichtgewicht portfoons.

5.6

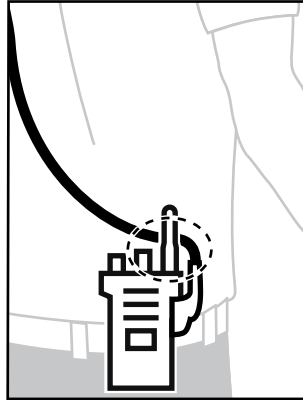
Kabelbeheer

In dit gedeelte wordt de aanbevolen kabelpositie beschreven.

Afbeelding 10: Aanbevolen



Afbeelding 11: Niet aanbevolen



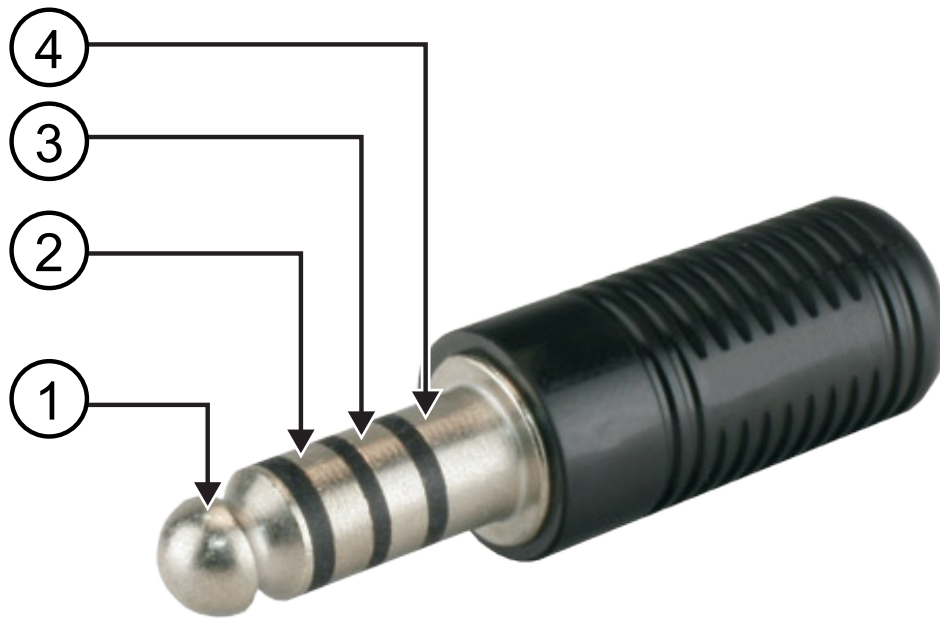
Voor een optimaal bereik en een optimale gebruikerservaring wordt aanbevolen om kabels van accessoires niet met de radioantenne te kruisen.

Hoofdstuk 6

NS750 Nexus RSM-interface

Dit gedeelte bevat een beschrijving van de Nexus RSM-interface wanneer deze is aangesloten op verschillende typen Nexus-accessoires voor secundaire audio.

Afbeelding 12: Nexus-stekker



Tabel 6: Nexus-stekker

Toelichting	Beschrijving Nexus-stekker
1	Top (pen 1)
2	Ring 1 (pen 2)
3	Ring 2 (pen 3)
4	Hoes (pen 4)

Tabel 7: NS750 Nexus RSM-interface

Parameter	Waarde
Electret-microfoon + DSP-processor	

Parameter	Waarde		
Pad	Pad 1		
Microfoonimpedantie	Open		
Spanning voor microfoondetectie (pen 2 naar pen 1 vergeleken met de spanningsreferentie (1,1 V))	Hoger dan spanningsreferentie op pen 2		
Pen uit	Toewijzing pen uit	Opmerkingen	
Pen 1	AARDE	AARDE	
Pen 2	Microfoon+	> 1,1 V (hoger dan spanningsreferentie)	
Pen 3	Niet verbonden	Niet van toepassing (NVT)	
Pen 4	Luidspreker eenzijdig	Eenzijdige audio	
Microfoonversterking in RSM	+6 dB		
Microfoon voorstellen Componentgevoeligheid	Electret-microfoon met DSP-processor		
Luidsprekerimpedantie	Te bepalen door leverancier		
Audioveiligheid aanbevolen door Motorola Solutions	≈ <118 dB SPL (piek)		
Electret-microfoon			
Pad	Pad 2		
Microfoonimpedantie	≈ <1 kΩ		
Spanning voor microfoondetectie (pen 2 naar pen 1 vergeleken met de spanningsreferentie (1,1 V))	Lager dan spanningsreferentie op pen 2		
Pen uit	Toewijzing pen uit	Opmerkingen	
Pen 1	AARDE	AARDE	
Pen 2	Microfoon+	< 1,1 V (lager dan spanningsreferentie)	
Pen 3	Luidspreker+	Gebalanceerde audio	
Pen 4	Luidspreker-		
Microfoonversterking in RSM	+22 dB		
Microfoon voorstellen Componentgevoeligheid	Electret-microfoon (≈ -60 dB t.o.v. 1 V/Pa)		
Luidsprekerimpedantie	Te bepalen door leverancier		
Audioveiligheid aanbevolen door Motorola Solutions	≈ <118 dB SPL (piek)		
Botgeleiding/versnellingsmeter			
Pad	Pad 3		
Microfoonimpedantie	≈ <1 kΩ		

Parameter	Waarde	
Spanning voor microfoondetectie (pen 3 naar pen 1 vergeleken met de spanningsreferentie (1,1 V))	Lager dan spanningsreferentie op pen 3	
Pen uit	Toewijzing pen uit	Opmerkingen
Pen 1	AARDE	AARDE
Pen 2	Niet verbonden	Niet van toepassing (NVT)
Pen 3	Botgeleiding Microfoon	< 1,1 V (lager dan spanningsreferentie)
Pen 4	Luidspreker eenzijdig	Eenzijdige audio
Microfoonversterking in RSM	+29 dB	
Microfoon voorstellen Componentgevoeligheid	Trillingsgevoelige impedantiemicrofoon	
Luidsprekerimpedantie	Te bepalen door leverancier	
Audioveiligheid aanbevolen door Motorola Solutions	≈ <118 dBSPL (piek)	

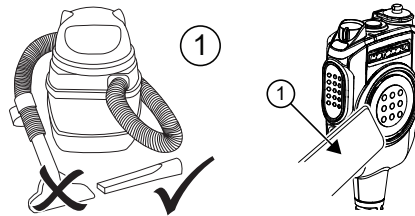
Hoofdstuk 7

Reinigingsprocedures

In dit gedeelte vindt u informatie over reinigingsprocedures voor de externe luidsprekermicrofoon (RSM)

Optionele stap voor ernstig vervuilde omgevingen

Stofzuig de voorkant van de RSM voordat u het gehele apparaat reinigt.



WAARSCHUWING: Door het volgende vervalt de garantie:

- Het gebruik van een vacuüm van meer dan 4 pk/3 kW.
- Een ander opzetstuk dan een kierenzuiger.
- Een andere reinigingsmethode.

7.1

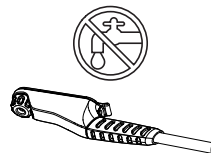
Reinigingsprocedure:

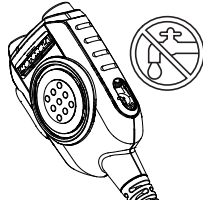
Waar en wanneer gebruiken:



WAARSCHUWING:

- Zorg ervoor dat de aansluiting niet nat wordt.
- Vul de Nexus-aansluiting of audiopoort niet met water.
- Dek de Nexus-aansluiting of audiopoort altijd af met de stofkap als er geen oortelefoon is aangesloten.
- Als er water in de Nexus-aansluiting of de audioaansluiting komt, verwijder dan het water door de externe luidsprekermicrofoon (RSM) te schudden.

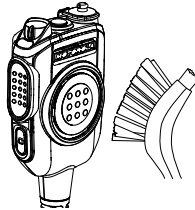




WAARSCHUWING: Gebruik alleen afwasmiddel en water. Gebruik van andere schoonmaakmiddelen kunnen de RSM-behuizing permanent beschadigen en leiden ertoe dat de garantie komt te vervallen. Laat niet langer dan 30 minuten inweken.

Procedure:

- 1 Meng een theelepel zacht afwasmiddel met 1 liter water (0,5%-oplossing).
- 2 Breng de oplossing spaarzaam aan met een harde borstel met korte nylon haren.



WAARSCHUWING: Voorkom dat de borstelharen in de luidspreker- of microfoonpoorten komen. Dit kan leiden tot interne schade en leidt ertoe dat de garantie komt te vervallen.

- 3 Spoel de RSM grondig af met koud water en droog goed af met een zachte, pluisvrije doek.
- 4 Houd de RSM met de voorkant naar beneden en schud een paar keer zachtjes om eventueel onder de luidsprekeropeningen of microfoonpoorten achtergebleven water te verwijderen.

7.2

Procedures voor desinfectie en reiniging

Motorola Solutions biedt richtlijnen voor de reiniging en desinfectie van uw RMS, op basis van de huidige en beste inzichten op het gebied van RMS-hygiëne.

Volgens wereldwijde gezondheidsautoriteiten verlaagt het verwijderen van ziektekiemen, vuil en onzuiverheden van oppervlakken het risico op de verspreiding van infecties. U kunt de volgende desinfectie- of reinigingsmiddelen gebruiken om uw RSW te desinfecteren:

- Dewipe-desinfectiedoekjes

Hoofdstuk 8

Service en garantie

Motorola Solutions biedt standaard een jaar garantie. Neem contact op met de Motorola Solutions-verkoper voor meer informatie over de standaardgarantie.

Voor meer informatie

Neem contact op met een erkende Motorola Solutions-verkoper of ga naar www.motorolasolutions.com.



Всенаправленный выносной модуль тангенты IMPRES™ NS750 PMMN4150 и PMMN4151

2023 Г. ИЮЛЬ

© 2023 Motorola Solutions, Inc. All rights reserved



MN009167A01-AE

Сведения о технике безопасности и юридическая информация

В этом разделе приведена информация о технике безопасности и юридическая информация о данном продукте.

Примечания об интеллектуальной собственности и нормативных требованиях

Авторские права

Описанные в этом документе продукты Motorola Solutions могут включать в себя защищенные авторским правом компьютерные программы Motorola Solutions. Законы США и некоторых других стран обеспечивают определенные эксклюзивные права компании Motorola Solutions в отношении защищенных авторским правом компьютерных программ. В связи с этим любые защищенные авторским правом компьютерные программы Motorola Solutions, содержащиеся в продуктах Motorola Solutions, которые описаны в настоящем документе, запрещается копировать или воспроизводить каким бы то ни было способом без явного письменного разрешения Motorola Solutions.

Запрещается воспроизведение, передача, хранение в поисковых системах или перевод на любой язык, в том числе машинный, любой части настоящего документа в любой форме, любыми средствами и для любых целей без предварительного письменного разрешения Motorola Solutions, Inc.

Товарные знаки

MOTOROLA, MOTO, MOTOROLA SOLUTIONS и логотип в виде стилизованной буквы М являются товарными знаками или зарегистрированными товарными знаками Motorola Trademark Holdings, LLC и используются по лицензии. Все прочие товарные знаки являются собственностью соответствующих владельцев.

Лицензионные права

Приобретение продуктов Motorola Solutions не приводит прямо, косвенно, процессуально или каким-либо иным образом к предоставлению какой-либо лицензии в отношении авторских прав, патентов или заявок на патенты Motorola Solutions, за исключением обычной неисключительной лицензии на использование без уплаты роялти, которая возникает по закону при продаже продукта.

Содержимое с открытым исходным кодом

Этот продукт может содержать ПО с открытым исходным кодом, используемое по лицензии. Полную информацию о правовых положениях и авторских правах на ПО с открытым исходным кодом можно найти на установочном носителе продукта.

Директива по утилизации электрического и электронного оборудования (WEEE) Европейского союза (ЕС) и Великобритании



В соответствии с директивой WEEE Европейского союза и директивой WEEE Великобритании продукция, поступающая в страны ЕС и Великобританию, должна иметь

этикетку со значком перечеркнутой мусорной корзины на продукте (в некоторых случаях — на упаковке). Согласно директиве WEEE такая этикетка со значком перечеркнутой мусорной корзины означает, что клиенты и конечные пользователи в странах ЕС и Великобритании не должны выбрасывать электронное и электрическое оборудование или аксессуары к нему вместе с бытовыми отходами.

Клиенты или конечные пользователи в странах ЕС и Великобритании должны обратиться в местное представительство поставщика оборудования или в центр обслуживания, чтобы получить информацию о пунктах переработки в соответствующей стране.

Отказ от ответственности

Обратите внимание, что определенные функции, оборудование и возможности, описанные в настоящем документе, могут не подходить или не быть лицензированы для использования в определенных системах, а также могут зависеть от характеристик определенного мобильного абонентского терминала или конфигурации определенных параметров. Обратитесь к представителю компании Motorola Solutions для получения дополнительной информации.

© Motorola Solutions, Inc., 2023. Все права защищены.

Сведения о воздействии излучаемой радиочастотной энергии и руководство по технике безопасности для продукта: портативные передаточные радиостанции

ВНИМАНИЕ:

Прежде чем использовать данный аксессуар, ознакомьтесь с этим руководством, в котором содержатся важные инструкции по безопасной эксплуатации, а также информация о воздействии радиочастотной энергии и контроле соответствия применимым стандартам и нормативным требованиям.

Выносной модуль тангенты (RSM), подключенный к радиостанции, предназначен только для профессиональной эксплуатации. Только при этом условии будет обеспечено соблюдение требований FCC/ICNIRP в отношении воздействия излучаемой радиочастотной энергии. Перед началом использования данного продукта ознакомьтесь с информацией о воздействии радиочастотной энергии, а также с инструкциями по эксплуатации, которые приведены в прилагаемом к радиостанции буклете по технике безопасности для продукта и воздействию излучаемой радиочастотной энергии, чтобы обеспечить соответствие требованиям по предельно допустимому уровню воздействия излучаемой радиочастотной энергии.

Для получения информации о совместимости с радиостанциями см. [Совместимость с радиостанциями на стр. 9](#).

Акустическая безопасность

Продолжительное воздействие звука с высоким уровнем громкости из любого источника может привести к временному или постоянному повреждению слуха. Чем выше громкость радиостанции, тем быстрее можно повредить слух. Повреждение слуха из-за высокого уровня громкости может быть замечено не сразу и иметь накопительный эффект. Для защиты слуха соблюдайте следующие меры предосторожности.

- Используйте минимальный уровень громкости, достаточный для выполнения требуемой задачи.
- Увеличивайте уровень громкости, только если вы находитесь в шумной окружающей обстановке.
- Уменьшайте уровень громкости, прежде чем надеть гарнитуру или микронаушник.

- Ограничьте время использования гарнитур или микронаушников при высоком уровне громкости.
- При использовании радиостанции без гарнитуры или микронаушника не подносите динамик радиостанции непосредственно к уху.
- Если вы испытываете дискомфорт при использовании гарнитуры, слышите звон в ушах или звук в динамиках кажется приглушенным, необходимо прекратить использование гарнитуры или микронаушника и обратиться к врачу для проверки слуха. Чтобы изменить уровень громкости, см. брошюру по технике безопасности для радиостанции или ПО CPS для программирования радиостанций для настройки конфигурации комплектов для наблюдения повышенной громкости (xL).

Сертификационная маркировка



Контактный адрес

Адрес для обращений в ЕС

Motorola Solutions,
Czerwone Maki 82,
30-392 Krakow, Poland

Адрес для обращений в Великобритании

Motorola Solutions UK Ltd.,
Nova South, 160 Victoria Street,
London, SW1E 5LB,
United Kingdom

Свяжитесь с нами

Служба централизованного предоставления управляемых услуг и поддержки (CMSO) — это основной контакт для получения технической поддержки, указанный в соглашении об обслуживании, заключенном между вашей организацией и Motorola Solutions.

Клиенты, заключившие соглашение об обслуживании, должны обязательно обращаться в службу CMSO во всех ситуациях, перечисленных в разделе "Обязанности клиента" в соглашении, например:

- для подтверждения результатов поиска и устранения неисправностей и анализа ситуации перед принятием мер.

Вашей организации были переданы номера телефонов службы поддержки и другая контактная информация для вашего региона, а также соглашение об обслуживании. Используйте эту контактную информацию для наиболее эффективного решения проблем. Однако при необходимости вы также можете найти общую контактную информацию службы поддержки на веб-сайте Motorola Solutions, выполнив следующие действия:

- 1 В браузере введите motorolasolutions.com.
- 2 Убедитесь, что отображается страница для страны или региона, в котором расположена ваша организация. Чтобы изменить регион, нажмите на его название или коснитесь его.
- 3 На странице motorolasolutions.com выберите Support.

Комментарии

Вопросы и комментарии относительно пользовательской документации направляйте по следующему адресу электронной почты: documentation@motorolasolutions.com.

Чтобы сообщить об ошибке в документации, необходимо предоставить следующую информацию:

- название документа и номер детали по каталогу;
- номер страницы или заголовок раздела с ошибкой;
- описание ошибки.

Motorola Solutions предлагает различные обучающие курсы, разработанные специально для помощи пользователям в освоении системы. Для получения более подробной информации и ознакомления с обзором текущих курсов и решениями для внедрения новых технологий перейдите по следующему адресу: <https://learning.motorolasolutions.com>.

Условные обозначения: значки

Настоящий комплект документации разработан таким образом, чтобы предоставить пользователю максимальное количество наглядных подсказок. В комплекте документации используются следующие графические значки.



ОПАСНОСТЬ:

Сигнальное слово "ОПАСНОСТЬ" с соответствующим значком безопасности указывает на информацию, игнорирование которой может привести к летальному исходу или получению тяжелых травм.



ПРЕДУПРЕЖДЕНИЕ:

Сигнальное слово "ПРЕДУПРЕЖДЕНИЕ" с соответствующим значком безопасности указывает на информацию, игнорирование которой может привести к летальному исходу, получению тяжелых травм или серьезному повреждению продукта.



ВНИМАНИЕ:

Сигнальное слово "ВНИМАНИЕ" с соответствующим значком безопасности указывает на информацию, игнорирование которой может привести к получению незначительных травм, травм средней тяжести или серьезному повреждению продукта.

ВНИМАНИЕ:

Сигнальное слово "ВНИМАНИЕ" может использоваться без значка безопасности, и в таком случае оно будет указывать на возможное повреждение или получение травмы, которые не связаны с продуктом.



ВАЖНО:

Комментарии с пометкой "ВАЖНО" содержат информацию, которая крайне важна для рассматриваемой темы, но не относится к категориям "ВНИМАНИЕ" или "ПРЕДУПРЕЖДЕНИЕ". Комментарии с пометкой "ВАЖНО" не связаны с какими-либо уровнями предупреждения.



ПРИМЕЧАНИЕ:

"ПРИМЕЧАНИЕ" содержит более важную информацию по сравнению с находящимся рядом текстом, например исключения или обязательные условия. Кроме того, примечания содержат ссылки на дополнительную информацию, напоминания о порядке выполнения действий (например, если они не входят в описание текущей процедуры) или сведения о местонахождении каких-либо элементов на экране. Примечания не связаны с какими-либо уровнями предупреждения.

Содержание

Сведения о технике безопасности и юридическая информация.....	2
Примечания об интеллектуальной собственности и нормативных требованиях.....	2
Сведения о воздействии излучаемой радиочастотной энергии и руководство по технике безопасности для продукта: портативные приемопередающие радиостанции..	3
Акустическая безопасность.....	3
Conformity Markings.....	4
Контактный адрес.....	4
Свяжитесь с нами.....	5
Условные обозначения: значки.....	6
Глава 1. Обзор выносного модуля тангенты.....	8
1.1 Совместимость с радиостанциями.....	9
1.2 Одобренные аксессуары.....	9
1.3 Запасные компоненты.....	9
Глава 2. Приоритет маршрутизации звука.....	11
2.1 Сигнал напоминания о переключении звука.....	12
Глава 3. Инструкции по эксплуатации.....	13
3.1 Подключение и отключение выносного модуля тангенты (RSM).....	13
Глава 4. Рекомендуемые настройки радиостанции.....	14
Глава 5. Рекомендуемые методы работы.....	15
5.1 Выполнение приема с помощью выносного модуля тангенты (RSM).....	15
5.2 Выполнение передачи с помощью выносного модуля тангенты (RSM).....	15
5.3 Использование аудиоразъема.....	16
5.3.1 Открытие и закрытие крышки аудиоразъема.....	16
5.3.2 Подключение и отключение аудиоразъема.....	17
5.4 Разъем Nexus.....	17
5.5 Рекомендованные способы ношения устройства.....	18
5.6 Укладка кабеля.....	19
Глава 6. Интерфейс Nexus выносного модуля тангенты NS750.....	21
Глава 7. Процедуры очистки.....	24
7.1 Процедура очистки.....	24
7.2 Процедуры дезинфекции и обеззараживания.....	25
Глава 8. Обслуживание и гарантия.....	27

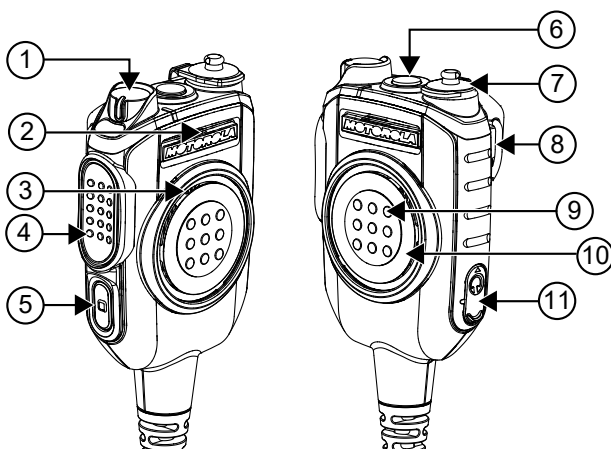
Глава 1

Обзор выносного модуля тангенты

Это руководство относится к следующим выносным модулям тангенты (Remote Speaker Microphone, RSM):

- PMMN4150 — всенаправленный выносной модуль тангенты IMPRES™ NS750 (с длинным кабелем),
- PMMN4151 — всенаправленный выносной модуль тангенты IMPRES™ NS750 (с коротким кабелем).

Рис. 1. Обзор выносного модуля тангенты



Элемент	Описание
1	Переключатель звука
2	Всенаправленный микрофон
3	Динамик
4	Боковая кнопка Push-to-Talk (PTT)
5	Программируемая кнопка с 1 точкой
6	Оранжевая аксессуарная кнопка
7	Разъем Nexus
8	Зажим для крепления на ремне
9	Передняя кнопка PTT
10	Место для этикетки на передней панели пульта PTT
11	Аудиоразъем 3,5 мм ¹

¹ Аудиоразъем 3,5 мм совместим только с комплектом PMLN7188_.

1.1

Совместимость с радиостанциями

С выносным модулем тангенты (RSM) совместимы следующие радиостанции:

- MOTOTRBO R7 — требуется микропрограмма R02.22.03.1001 и более поздних версий.
- MXP600 — требуется микропрограмма R55.XX0.9840 и более поздних версий.

1.2

Одобрённые аксессуары

В этом разделе приведен список одобрённых аксессуаров, которые можно использовать с выносным модулем тангенты (RSM).

Микронаушник

Табл. 1. Микронаушник

Номер по каталогу	Описание
PMLN7188_	Микронаушник АТЕХ только для приема с полупрозрачной трубкой, 3,5 мм

Аудиоаксессуары Nexus

Табл. 2. Аудиоаксессуары Nexus

Номер по каталогу	Описание
GMMN4585 ^{2, 3}	Система связи для встраивания в шлем Savox HC-1
GMMN4584 ^{2, 3}	Система связи для встраивания в шлем Savox HC-2
PMLN8265 ^{2, 3}	Гарнитура с оголовьем и Nexus
PMLN8266 ^{2, 3}	Гарнитура с затылочным креплением и Nexus
PMLN8267 ^{2, 3}	Гарнитура для каски с Nexus

Хорошее качество звука на других аксессуарах, подключаемых к выносному модулю тангенты с помощью разъемов Nexus, не гарантируется, поскольку их совместимость не была проверена. Для обеспечения оптимальной производительности кабель аксессуаров Nexus следует располагать вдали от антенны радиостанции.

1.3

Запасные компоненты

Выносной модуль тангенты не подлежит ремонту. В компании Motorola Solutions можно заказать следующие дополнительные аксессуары и запасные компоненты.

² Аудиоаксессуары Nexus не имеют сертификации UL.

³ При использовании с выносным модулем тангенты уровень системы не соответствует сертификации UL.

Табл. 3. Запасные компоненты

Номер по каталогу	Описание
0104068J78_	Зажим для крепления на ремне
PMLN8464_	Запасная этикетка для передней панели пульта РТТ (зеленая)
PMLN8465_	Запасная этикетка для передней панели пульта РТТ (синяя)
PMLN8466_	Запасная этикетка для передней панели пульта РТТ (красная)
PMLN8468_	Запасная этикетка для передней панели пульта РТТ (желтая)
PMLN8469_	Запасная этикетка для передней панели пульта РТТ (серебристая)
PMLN8523_	Запасная этикетка для передней панели пульта РТТ (оранжевая)

Приоритет маршрутизации звука

Рис. 2. Маршрутизация звука

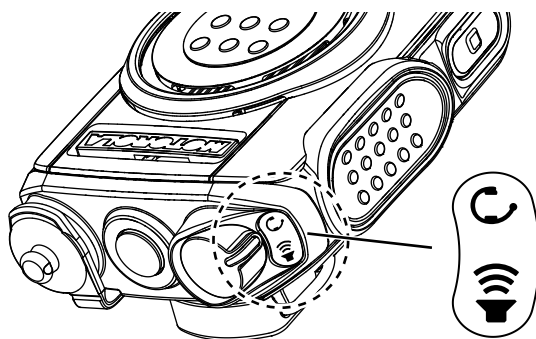





Табл. 4. Приоритет маршрутизации звука


Положение переключателя	Конфигурация	Маршрутизация для передачи (Tx)	Маршрутизация для приема (Rx)
 Выносной модуль тангенты или с разъемом SAA	Только выносной модуль тангенты	Выносной модуль тангенты	Выносной модуль тангенты
	Выносной модуль тангенты с SAA Nexus	SAA Nexus	SAA Nexus
	Выносной модуль тангенты с SAA 3,5 мм + SAA Nexus	SAA Nexus	SAA Nexus
	Выносной модуль тангенты с SAA 3,5 мм	Выносной модуль тангенты	SAA 3,5 мм
 Только выносной модуль тангенты	Только выносной модуль тангенты	Выносной модуль тангенты	Выносной модуль тангенты
	Выносной модуль тангенты с SAA Nexus	Выносной модуль тангенты	Выносной модуль тангенты
	Выносной модуль тангенты с SAA 3,5 мм + SAA Nexus	Выносной модуль тангенты	Выносной модуль тангенты
	Выносной модуль тангенты с SAA 3,5 мм	Выносной модуль тангенты	Выносной модуль тангенты

2.1

Сигнал напоминания о переключении звука

В этом разделе приведена информация о сигнале напоминания о переключении звука.

Когда маршрутизация звука переключена в режим , через подключенные аксессуары Nexus воспроизводится пульсирующий звуковой сигнал.

Звуковой сигнал всегда остается включенным в качестве меры предосторожности на тот случай, если пользователь выполнил переключение по ошибке или забыл о нем. При использовании аксессуара Nexus для работы рекомендуется переключить звук в режим .

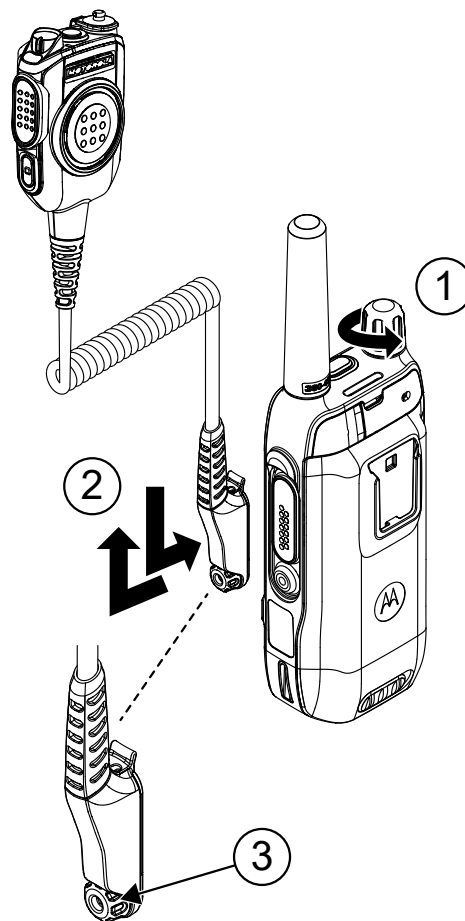
Инструкции по эксплуатации

В этом разделе приведены рекомендации по использованию выносного модуля тангенты.

3.1

Подключение и отключение выносного модуля тангенты (RSM)

Когда и где использовать.



Элемент	Описание
1	Выключите радиостанцию.
2	Затяните или ослабьте винт, чтобы подсоединить выносной модуль тангенты к радиостанции или отсоединить от нее.
3	Барашковый винт

Глава 4

Рекомендуемые настройки радиостанции

**ПРИМЕЧАНИЕ:**

Применимо только к радиостанциям MOTOTRBO R7.

Main Menu→**Utilities**→**Radio Settings**

Табл. 5. Настройки радиостанции

Настройки радиостанции	Рекомендуемые настройки
Подавление акустической ОС	Включено
Аудионастройки	По умолчанию
Интеллектуальное аудио	Включено
Цифровая АРУ микрофона	Включено
Подавление шума	Включено
Прямая связь	Включено

Рекомендуемые методы работы

В этом разделе приведена информация о рекомендуемых методах работы с выносным модулем тангенты (RSM).

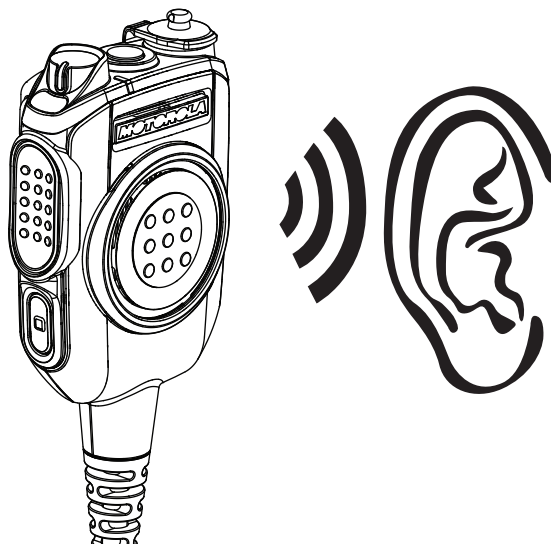
5.1

Выполнение приема с помощью выносного модуля тангенты (RSM)

Процедура:

Для получения дополнительной информации см. раздел [Приоритет маршрутизации звука](#) на стр. 11.

Рис. 3. Выполнение приема с помощью выносного модуля тангенты



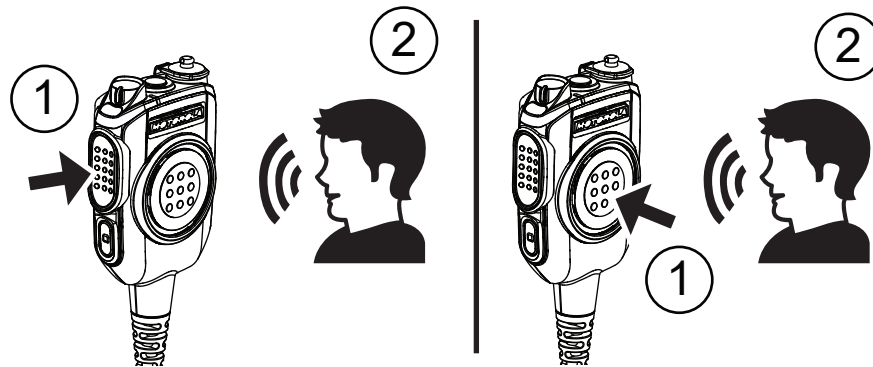
5.2

Выполнение передачи с помощью выносного модуля тангенты (RSM)

Процедура:

- 1 Нажмите и удерживайте кнопку **PTT**.
- 2 Для обеспечения максимальной разборчивости речи говорите непосредственно в микрофон.

Рис. 4. Выполнение передачи с помощью выносного модуля тангенты



5.3

Использование аудиоразъема

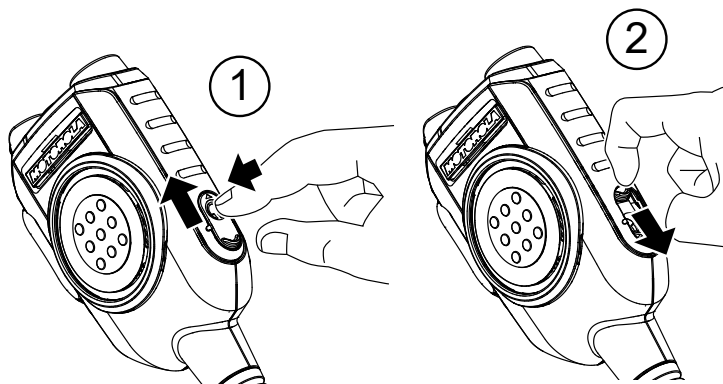
В этом разделе приведены рекомендации по использованию аудиоразъема.

- Перед использованием аудиоразъема очистите его или удалите с него все посторонние материалы.
- Когда аудиоразъем не используется для подключения, всегда закрывайте его пылезащитной крышкой.

5.3.1

Открытие и закрытие крышки аудиоразъема

Когда и где использовать.

**Элемент****Описание**

1

Нажмите на крышку и сдвиньте ее.

Элемент	Описание
2	Сдвиньте крышку.

5.3.2

Подключение и отключение аудиоразъема

Когда и где использовать.

Рис. 5. Подключение аудиоразъема

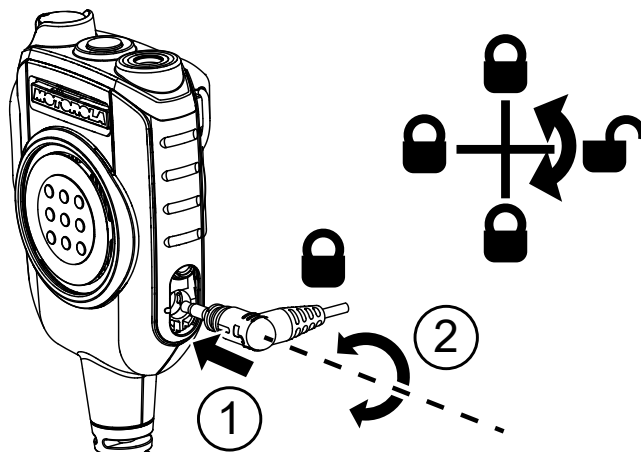
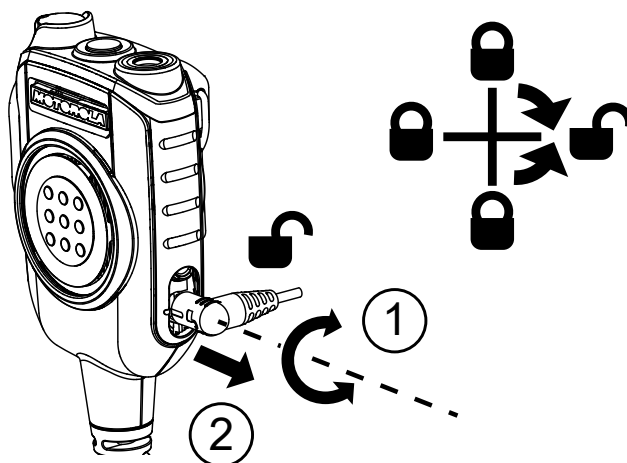


Рис. 6. Отключение аудиоразъема



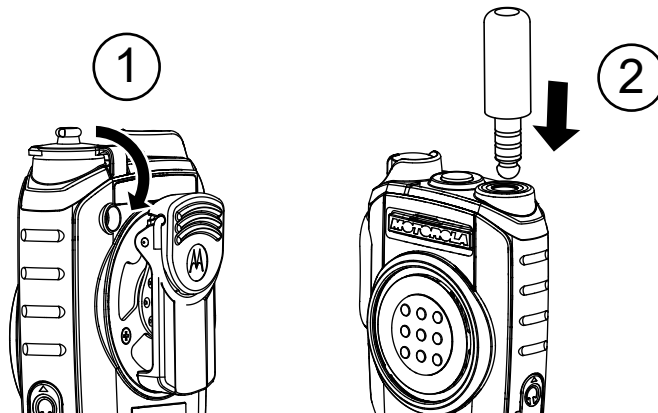
5.4

Разъем Nexus

В этом разделе приведены рекомендации по использованию разъема Nexus.

- Перед использованием разъема очистите его или удалите с него все посторонние материалы.
- Когда разъем Nexus не используется для подключения, всегда закрывайте его пылезащитной крышкой.

Рис. 7. Подключение к разъему Nexus



ПРИМЕЧАНИЕ:

Рекомендуется выключать радиостанцию перед подключением или отключением аксессуаров Nexus.

5.5

Рекомендованные способы ношения устройства

В этом разделе приведено описание рекомендованного способа ношения выносного модуля тангенты (RSM).

Рис. 8. Выносной модуль тангенты с длинным кабелем

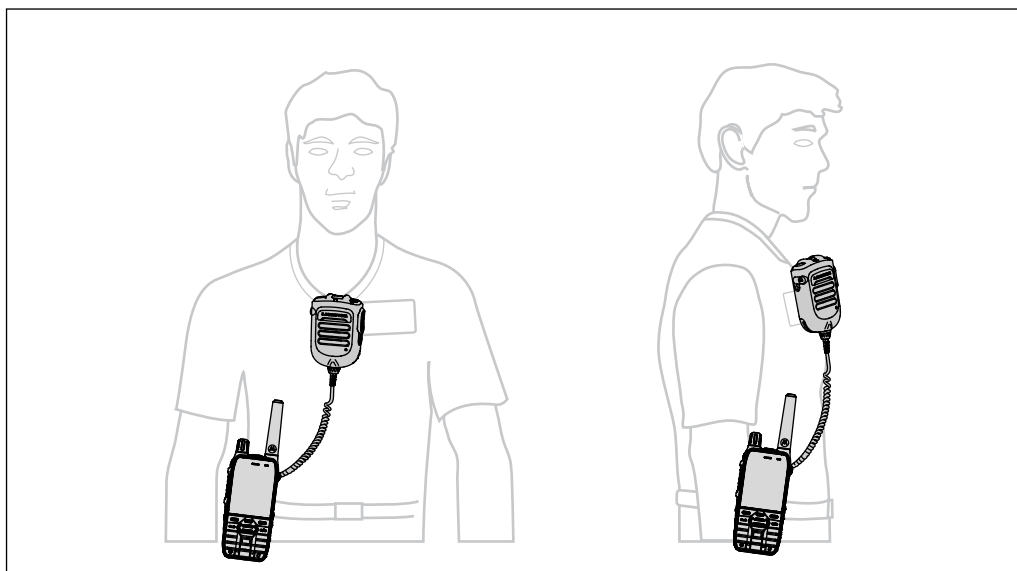
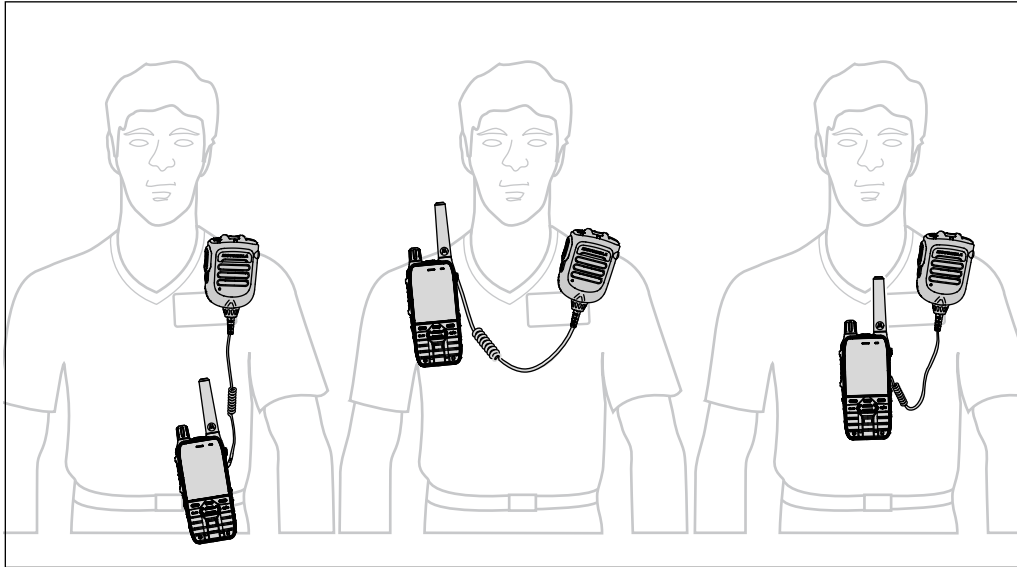


Рис. 9. Выносной модуль тангенты с коротким кабелем



ПРИМЕЧАНИЕ:

Рекомендуемый способ ношения радиостанции на лацкане подходит только для легкой радиостанции.

5.6

Укладка кабеля

В этом разделе приведено описание рекомендуемого расположения кабеля.

Рис. 10. Рекомендуется

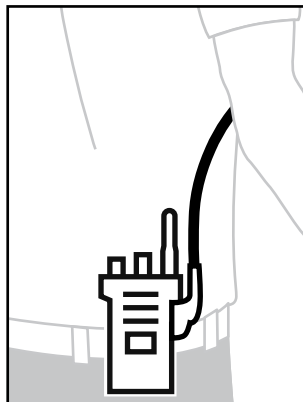
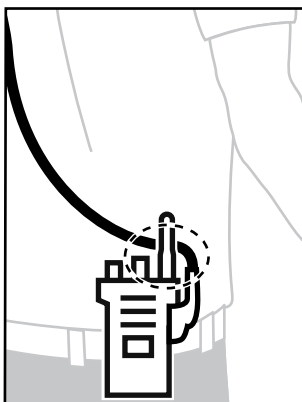


Рис. 11. Не рекомендуется



Для обеспечения оптимального радиуса действия и удобства работы рекомендуется избегать ситуаций, в которых кабель для подключения аксессуара пересекается с антенной радиостанции.

Глава 6

Интерфейс Nexus выносного модуля тангенты NS750

В этом разделе приведено описание интерфейса Nexus выносного модуля тангенты при подключении к дополнительным аудиоаксессуарам Nexus различных типов.

Рис. 12. Разъем Nexus

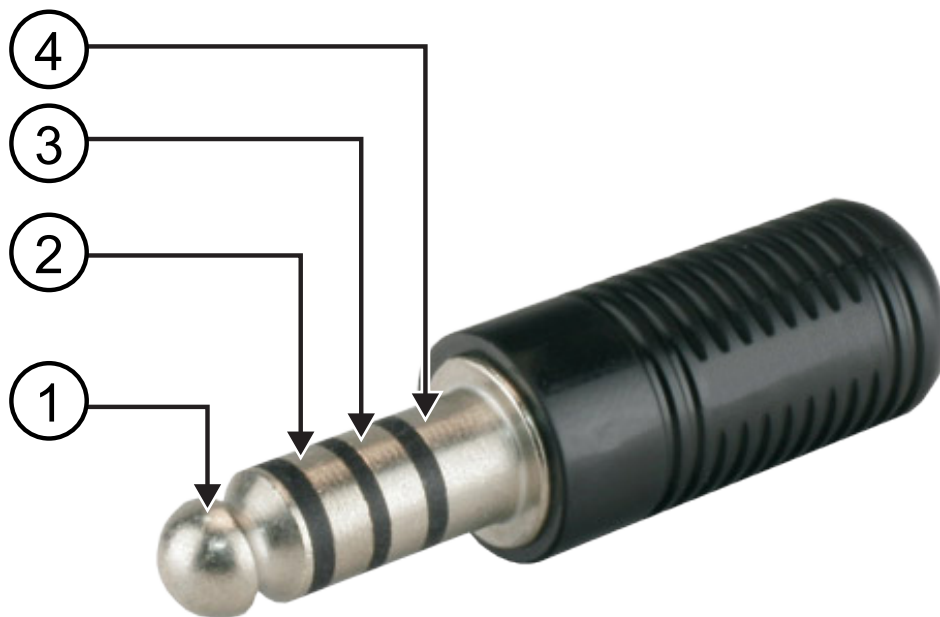


Табл. 6. Разъем Nexus

Выноска	Описание разъема Nexus
1	Наконечник (контакт 1)
2	Кольцо 1 (контакт 2)
3	Кольцо 2 (контакт 3)
4	Гильза (контакт 4)

Табл. 7. Интерфейс Nexus выносного модуля тангенты NS750

Параметр	Значение		
Электретный микрофон с процессором DSP			
Тракт	Тракт 1		
Полное сопротивление микрофона	Открытое		
Напряжение для обнаружения микрофона (контакты 2–1 по сравнению с опорным напряжением (1,1 В))	Выше опорного напряжения на контакте 2		
Вывод	Назначение вывода	Примечания	
Контакт 1	ЗАЗЕМЛЕНИЕ	ЗАЗЕМЛЕНИЕ	
Контакт 2	Микрофон+	>1,1 В (выше опорного напряжения)	
Контакт 3	Не подключено	Не применяется (НП)	
Контакт 4	Несимметричный, динамик	Несимметричный, аудио	
Усиление микрофона в выносном модуле тангенты	+6 дБ		
Предполагаемая чувствительность микрофона	Электретный микрофон с процессором DSP		
Полное сопротивление динамика	Определяется поставщиком		
Безопасный уровень звука, рекомендованный Motorola Solutions	≈ <118 дБ SPL (пиковое значение)		
Электретный микрофон			
Тракт	Тракт 2		
Полное сопротивление микрофона	≈ <1 кОм		
Напряжение для обнаружения микрофона (контакты 2–1 по сравнению с опорным напряжением (1,1 В))	Ниже опорного напряжения на контакте 2		
Вывод	Назначение вывода	Примечания	
Контакт 1	ЗАЗЕМЛЕНИЕ	ЗАЗЕМЛЕНИЕ	
Контакт 2	Микрофон+	<1,1 В (ниже опорного напряжения)	
Контакт 3	Динамик+	Балансный, аудио	
Контакт 4	Динамик-		
Усиление микрофона в выносном модуле тангенты	+22 дБ		

Параметр	Значение	
Предполагаемая чувствительность микрофона	Электретный микрофон (≈ -60 дБ относительно 1 В/Па)	
Полное сопротивление динамика	Определяется поставщиком	
Безопасный уровень звука, рекомендованный Motorola Solutions	$\approx <118$ дБ SPL (пиковое значение)	
Костная проводимость / акселерометр		
Тракт	Тракт 3	
Полное сопротивление микрофона	$\approx <1$ кОм	
Напряжение для обнаружения микрофона (контакты 3–1 по сравнению с опорным напряжением (1,1 В))	Ниже опорного напряжения на контакте 3	
Вывод	Назначение вывода	Примечания
Контакт 1	ЗАЗЕМЛЕНИЕ	ЗАЗЕМЛЕНИЕ
Контакт 2	Не подключено	Не применяется (НП)
Контакт 3	Микрофон на основе костной проводимости	$<1,1$ В (ниже опорного напряжения)
Контакт 4	Несимметричный, динамик	Несимметричный, аудио
Усиление микрофона в выносном модуле тангенты	+29 дБ	
Предполагаемая чувствительность микрофона	Импедансный микрофон, чувствительный к вибрации	
Полное сопротивление динамика	Определяется поставщиком	
Безопасный уровень звука, рекомендованный Motorola Solutions	$\approx <118$ дБ SPL (пиковое значение)	

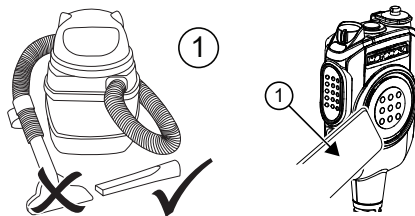
Глава 7

Процедуры очистки

В этом разделе приведена информация о процедурах очистки выносного модуля тангенты (RSM).

Дополнительные действия при сильном загрязнении

Пропылесосьте переднюю панель выносного модуля тангенты перед общей очисткой.



ПРЕДУПРЕЖДЕНИЕ:

Гарантия аннулируется в следующих случаях:

- использование пылесоса мощностью более 4 л. с./3 кВт;
- использование любой другой насадки, кроме щелевой;
- использование любого другого способа очистки.

7.1

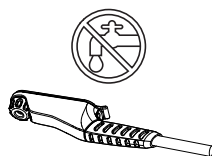
Процедура очистки

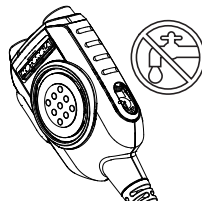
Когда и где использовать.



ПРЕДУПРЕЖДЕНИЕ:

- Следите за тем, чтобы на разъем не попадала влага.
- Не допускайте попадания воды в разъем Nexus или аудиоразъем.
- Когда разъем Nexus или аудиоразъем не используется для подключения микронаушника, закрывайте его пылезащитной крышкой.
- Если в разъем Nexus или аудиоразъем попадает вода, удалите ее, встряхнув выносной модуль тангенты (RSM).



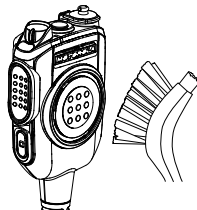


ПРЕДУПРЕЖДЕНИЕ:

Используйте только средство для мытья посуды и воду. Использование других чистящих средств может вызвать необратимые повреждения корпуса выносного модуля тангенты и привести к аннулированию гарантии. Не держите устройство мокрым более 30 минут.

Процедура:

- 1 Растворите одну чайную ложку мягкого средства для мытья посуды в четырех литрах воды (0,5% раствор).
- 2 Нанесите небольшое количество раствора с помощью жесткой нейлоновой щетки с короткой щетиной.



ПРЕДУПРЕЖДЕНИЕ:

Не допускайте попадания щетины щетки в отверстия динамика или микрофона, это может привести к повреждению внутренних компонентов и аннулированию гарантии.

- 3 Промойте выносной модуль тангенты холодной водой и тщательно вытрите с помощью мягкой безворсовой ткани.
- 4 Переверните выносной модуль тангенты лицевой стороной вниз и встряхните несколько раз, чтобы избавиться от влаги, которая могла остаться под решеткой динамика или в отверстиях микрофона.

7.2

Процедуры дезинфекции и обеззараживания

Компания Motorola Solutions предоставляет рекомендации по очистке и дезинфекции выносного модуля тангенты, основанные на текущих передовых практиках гигиены выносных модулей тангенты.

Согласно рекомендациям международных органов здравоохранения, удаление микробов и загрязнений с поверхностей снижает риск распространения инфекций. Для дезинфекции

выносного модуля тангенты можно использовать следующие дезинфицирующие или обеззараживающие средства:

- Обеззараживающие салфетки Dewipe

Обслуживание и гарантия

Motorola Solutions предоставляет стандартную гарантию сроком на один год. Для получения более подробной информации о стандартной гарантии обратитесь к дилеру Motorola Solutions.

Получение более подробной информации

Обратитесь к авторизованному дилеру Motorola Solutions или посетите веб-сайт www.motorolasolutions.com.



NS750 IMPRES™

Усеспрямований виносний мікрофон із динаміком РММN4150 і РММN4151

ЛИПЕНЬ 2023

© 2023 Motorola Solutions, Inc. All rights reserved



MN009167A01-AE

Інформація про безпечність і правові норми

Цей розділ містить інформацію щодо безпечності цього виробу й застосовних правових норм.

Інформація щодо інтелектуальної власності та відповідності нормативним вимогам

Авторські права

Вироби компанії Motorola Solutions, що описані в цьому документі, можуть містити захищені авторськими правами комп'ютерні програми Motorola Solutions. Закони в США та інших країнах зберігають за компанією Motorola Solutions певні виняткові права на захищені авторським правом комп'ютерні програми. Зважаючи на це, заборонено в будь-який спосіб копіювати або відтворювати будь-які захищені авторськими правами комп'ютерні програми компанії Motorola Solutions, що входять до складу описаних у цьому документі продуктів компанії Motorola Solutions, без попередньої письмової згоди Motorola Solutions.

Жодну частину цього документа не можна відтворювати, передавати, зберігати в системі пошуку або перекладати будь-якою мовою, зокрема комп'ютерною, у будь-якій формі й будь-якими засобами без попереднього письмового дозволу компанії Motorola Solutions, Inc.

Торгові марки

MOTOROLA, MOTO, MOTOROLA SOLUTIONS і стилізований логотип «M» є торговими марками або зареєстрованими товарними знаками компанії Motorola Trademark Holdings, LLC та використовуються за ліцензією. Усі інші торгові марки належать відповідним власникам.

Права на ліцензії

Придбання продуктів Motorola Solutions не слід вважати наданням прямо, опосередковано, через позбавлення права заперечення (естопель) або іншим чином жодних ліцензій на об'єкти авторського права, патенти або патентні заявки компанії Motorola Solutions, окрім звичайної невиключної безоплатної (royalty-free) ліцензії на використання, передбаченої законом для випадків продажу продукту.

Відкритий вихідний код

Цей продукт може містити програмне забезпечення з відкритим вихідним кодом, що використовується за ліцензією. Повна інформація стосовно правових положень щодо програмного забезпечення з відкритим кодом і авторських прав міститься на носії встановлення продукту.

Директива Європейського союзу (ЄС) і Сполученого Королівства щодо відпрацьованого електричного й електронного обладнання (WEEE)



Згідно з директивою Європейського союзу й Сполученого Королівства WEEE, на виробках, що продаються в країнах ЄС або Сполученому Королівстві, має бути наклейка з перекресленим сміттєвим кошиком на коліщатках (або, у деяких випадках, на упаковці). Як визначено директивою WEEE, така наклейка з перекресленим сміттєвим кошиком на коліщатках означає,

що споживачам і кінцевим користувачам у країнах ЄС і Сполученому Королівстві не слід утилізувати електронне й електричне обладнання чи аксесуари разом із побутовими відходами.

Споживачам чи кінцевим користувачам у країнах ЄС і Сполученому Королівстві слід звернутися до місцевого представника постачальника обладнання чи сервісного центру для отримання інформації про систему збору відходів у їхній країні.

Відмова від відповідальності

Зверніть увагу, що певні характеристики, вироби й можливості, описані в цьому документі, можуть бути недоступні або неліцензовані для використання в конкретній системі або можуть залежати від характеристик конкретного пристрою мобільного зв'язку чи конфігурації деяких параметрів. По додаткову інформацію звертайтеся до компанії Motorola Solutions через свою контактну особу.

© Motorola Solutions, Inc., 2023. Усі права захищено.

Відомості щодо впливу енергії радіочастотного випромінювання й Посібник із техніки безпеки під час використання портативного пристрою двостороннього радіозв'язку

ЗАСТЕРЕЖЕННЯ:

Перед використанням аксесуара прочитайте цей посібник, який містить важливі інструкції з безпечної експлуатації та інформацію про РЧ-енергію та регулювання впливу такої енергії для забезпечення відповідності вимогам стандартів і норм.

Відповідно до вимог Федеральної комісії зі зв'язку США (FCC) / Міжнародної комісії із захисту від неіонізуючого випромінювання (ICNIRP) щодо рівнів радіочастотного випромінювання, радіопристрій із під'єднаним виносним мікрофоном із динаміком (RSM) призначений виключно для професійного використання. Перед використанням цього виробу прочитайте посібник користувача та ознайомтеся з відомостями щодо рівня радіочастотного випромінювання, наведеними в Брошурі з техніки безпеки під час використання продуктів, що входить до комплекту радіопристрою, для забезпечення відповідності вимогам щодо обмеження впливу РЧ-енергії.

Відомості про сумісні радіопристрої див. у розділі [Сумісність радіопристроїв на стор. 9](#).

Безпека органів слуху

Тривалий гучний шум будь-якого походження може тимчасово або назавжди пошкодити слух. Що вищу гучність радіопристрою встановлено, то менше часу ним можна користуватися без ризику для органів слуху. Ушкодження слуху через гучний шум не завжди виявляється одразу, воно може розвиватися поступово. Для захисту органів слуху дотримуйтеся наведених нижче рекомендацій.

- Використовуйте найменшу гучність, необхідну для роботи.
- Збільшуйте гучність лише в умовах наявності сильного шуму навколо.
- Зменшуйте гучність, перш ніж надівати гарнітуру або навушники.
- Обмежуйте час використання будь-яких гарнітур або навушників за великої гучності.
- Якщо радіопристрій використовується без гарнітури або навушників, не наближайте динамік пристрою безпосередньо до вуха.
- Якщо ви відчуваєте слуховий дискомфорт, дзвеніння у вухах чи приглушення мови, слід припинити прослуховування радіопристрою через гарнітуру чи навушники та звернутися до лікаря для перевірки слуху. Щоб змінити рівень гучності, дивіться Буклет із техніки безпеки

для радіопристрою або ПЗ для індивідуального програмування (CPS) для налаштування комунікаційного комплексу підвищеної гучності (xL).

Знаки відповідності



Контактна адреса

У Європейському союзі

Motorola Solutions,
Czerwone Maki 82,
30-392 Krakow, Poland (Польща)

У Сполученому Королівстві

Motorola Solutions UK Ltd.,
Nova South, 160 Victoria Street,
London, SW1E 5LB,
United Kingdom (Сполучене Королівство)

Зв'язок із нами

Центр керування технічною підтримкою (Centralized Managed Support Operations, CMSO) є основним місцем, куди ви можете звернутися по технічну допомогу згідно з договором про обслуговування між вашою організацією й компанією Motorola Solutions.

Клієнти, які уклали договір про обслуговування, мають звертатися до CMSO в усіх ситуаціях, що наведені в розділі про зобов'язання клієнта в їхньому договорі, зокрема:

- для підтвердження результатів пошуку й усунення несправностей і аналізу перед будь-якими діями.

Вашій організації було надано номери телефонів служби підтримки й іншу контактну інформацію для вашого географічного регіону та договору про обслуговування. Ці дані дадуть вам змогу отримати відповіді на ваші запитання в найефективніший спосіб. Але за потреби ви можете знайти загальні номери служби підтримки на сайті Motorola Solutions, виконавши наведені далі дії.

- 1 Введіть в адресному рядку браузера motorolasolutions.com.
- 2 Переконайтеся, що на сторінці вказано країну або регіон вашої організації. Щоб змінити регіон, натисніть його назву.
- 3 Виберіть Support (Підтримка) на сторінці motorolasolutions.com.

Коментарі

Надсилайте свої запитання й коментарі щодо документації для користувачів за адресою documentation@motorolasolutions.com.

Укажіть у своєму повідомленні про помилку в документації таку інформацію:

- назву документа й номер виробу за каталогом;
- номер сторінки й назву розділу, де виявлено помилку;
- опис помилки.

Компанія Motorola Solutions пропонує різні курси, які допоможуть вам розібратися із системою. Інформацію про доступні курси й навчальні плани щодо технологічних рішень див. на сайті <https://learning.motorolasolutions.com>.

Графічні символи

Цей набір документації містить візуальні підказки для читачів. У ньому використовуються наведені нижче графічні символи.



НЕБЕЗПЕКА: Слово «НЕБЕЗПЕКА» з відповідним значком застереження вказує на інструкції, недотримання яких спричинить смерть або тяжку травму.



ПОПЕРЕДЖЕННЯ: Слово «ПОПЕРЕДЖЕННЯ» з відповідним значком застереження вказує на інструкції, недотримання яких може спричинити смерть, тяжку травму чи значне пошкодження виробу.



ЗАСТЕРЕЖЕННЯ: Слово «УВАГА» з відповідним значком застереження вказує на інструкції, недотримання яких може спричинити травму легкого або середнього ступеня тяжкості чи значне пошкодження виробу.

ЗАСТЕРЕЖЕННЯ: Слово «УВАГА» без значка застереження вказує на можливе пошкодження або травму, які не пов'язані з виробом.



ВАЖЛИВО: Повідомлення зі словом «ВАЖЛИВО» містять інформацію, яка є важливою в поточному контексті, але не належить до категорії «УВАГА» або «ПОПЕРЕДЖЕННЯ». З повідомленням категорії «ВАЖЛИВО» не пов'язано жодного рівня серйозності попереджень.



ПРИМІТКА: Слово «ПРИМІТКА» вказує на інформацію, яка є важливішою, ніж текст навколо неї, наприклад винятки або передумови. Примітки також містять посилання на додаткову інформацію, нагадують читачеві, як виконати певну дію (яка, наприклад, не є частиною поточної процедури), або вказують на розташування певного елемента на екрані. З приміткою не пов'язано жодного рівня серйозності попереджень.

Зміст

Інформація про безпечність і правові норми.....	2
Інформація щодо інтелектуальної власності та відповідності нормативним вимогам.....	2
Відомості щодо впливу енергії радіочастотного випромінювання й Посібник із техніки безпеки під час використання портативного пристрою двостороннього радіозв'язку.....	3
Безпека органів слуху.....	3
Conformity Markings.....	4
Контактна адреса.....	4
Зв'язок із нами.....	5
Графічні символи.....	6
Розділ 1. Огляд виносного мікрофона з динаміком.....	8
1.1 Сумісність радіопристроїв.....	9
1.2 Схвалені аксесуари.....	9
1.3 Змінні частини.....	9
Розділ 2. Пріоритет маршрутизації аудіо.....	11
2.1 Сигнал нагадування про перемикання режиму аудіо.....	12
Розділ 3. Інструкції з експлуатації.....	13
3.1 Під'єднання й від'єднання виносного мікрофона з динаміком.....	13
Розділ 4. Рекомендовані налаштування радіопристрою.....	14
Розділ 5. Рекомендації щодо використання.....	15
5.1 Прийом із виносним мікрофоном із динаміком.....	15
5.2 Передавання з виносним мікрофоном із динаміком.....	15
5.3 Використання аудіороз'єму.....	16
5.3.1 Відкривання й закривання кришки аудіороз'єму.....	16
5.3.2 Вставлення й виймання кабелю з аудіороз'єму.....	16
5.4 Роз'єм Nexus.....	17
5.5 Рекомендовані способи носіння.....	18
5.6 Розташування кабелю.....	19
Розділ 6. Інтерфейс виносного мікрофона з динаміком NS750 Nexus.....	21
Розділ 7. Процедури очищення.....	24
7.1 Процедура очищення.....	24
7.2 Процедури дезінфекції та знезараження.....	25
Розділ 8. Обслуговування й гарантія.....	26

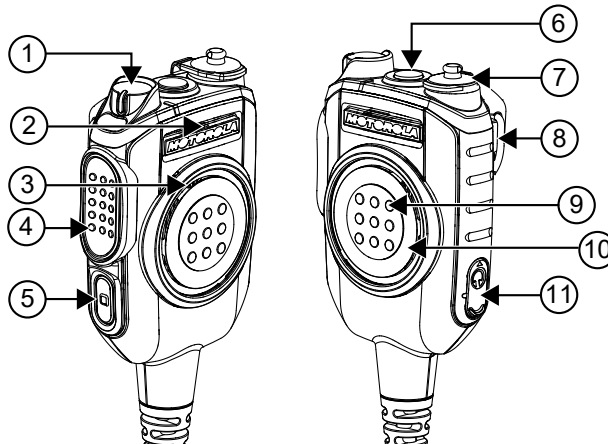
Розділ 1

Огляд виносного мікрофона з динаміком

Це керівництво стосується таких виносних мікрофонів із динаміком:

- PMMN4150 – NS750 IMPRES™ Усеспрямований виносний мікрофон із динаміком (із довгим кабелем)
- PMMN4151 – NS750 IMPRES™ Усеспрямований виносний мікрофон із динаміком (із коротким кабелем)

Рисунок 1. Огляд виносного мікрофона з динаміком



Елемент	Опис
1	Ручка перемикання режиму аудіо
2	Усеспрямований мікрофон
3	Динамік
4	Бічна тангента
5	Програмована кнопка з 1 точкою
6	Помаранчева кнопка гарнітури
7	Роз'єм Nexus
8	Поясний затискач
9	Передня тангента
10	Змінна клавіша передньої тангенти
11	Аудіороз'єм 3,5 мм ¹

¹ Аудіороз'єм 3,5 мм сумісний лише з комплектом PMLN7188_

1.1

Сумісність радіопристроїв

Із виносним мікрофоном із динаміком сумісні такі радіопристрої:

- MOTOTRBO R7 – потребує вбудованого програмного забезпечення версії R02.22.03.1001 чи новішої
- MXP600 – потребує вбудованого програмного забезпечення версії R55.XX0.9840 чи новішої

1.2

Схвалені аксесуари

Цей розділ містить перелік схвалених аксесуарів для цього виносного мікрофона з динаміком.

Навушник

Таблиця 1. Навушник

Номер за каталогом	Опис
PMLN7188_	Навушник лише для прийому з прозорою трубкою, АТЕХ 3,5 мм

Аудіоаксесуари з роз'ємом Nexus

Таблиця 2. Аудіоаксесуари з роз'ємом Nexus

Номер за каталогом	Опис
GMMN4585_ ^{2, 3}	Система зв'язку для шоломів Savox HC-1
GMMN4584_ ^{2, 3}	Система зв'язку для шоломів Savox HC-2
PMLN8265_ ^{2, 3}	Повнорозмірні накладні навушники з роз'ємом Nexus
PMLN8266_ ^{2, 3}	Навушники із шийною дужкою з роз'ємом Nexus
PMLN8267_ ^{2, 3}	Навушники з каскою з роз'ємом Nexus

Гарантії щодо звукових характеристик інших аксесуарів із роз'ємом Nexus, під'єднаних до виносного мікрофона з динаміком, не надаються, оскільки випробування їхньої сумісності не проводилися. Для оптимальної роботи пристроїв розташуйте кабель аксесуарів із роз'ємом Nexus подалі від антени радіопристрою.

1.3

Змінні частини

Цей виносний мікрофон із динаміком не придатний для ремонту. Додаткові аксесуари й змінні частини можна замовити в компанії Motorola Solutions.

² Аудіоаксесуари з роз'ємом Nexus не мають сертифіката UL.

³ Рівень гучності системи за використання з виносним мікрофоном із динаміком не відповідає стандартам UL.

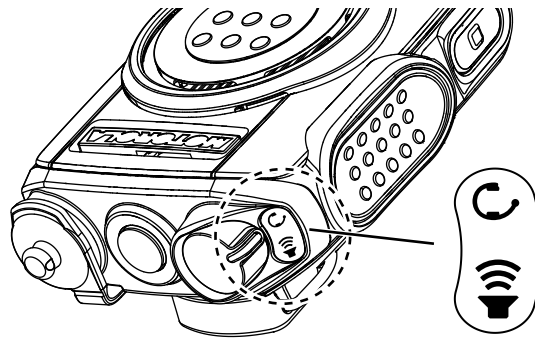
Таблиця 3. Змінні частини

Номер за каталогом	Опис
0104068J78_	Поясний затискач
PMLN8464_	Змінна клавіша передньої тангенти (зелена)
PMLN8465_	Змінна клавіша передньої тангенти (синя)
PMLN8466_	Змінна клавіша передньої тангенти (червона)
PMLN8468_	Змінна клавіша передньої тангенти (жовта)
PMLN8469_	Змінна клавіша передньої тангенти (срібляста)
PMLN8523_	Змінна клавіша передньої тангенти (помаранчева)



Розділ 2

Пріоритет маршрутизації аудіо

Рисунок 2. Маршрутизація аудіо



Таблиця 4. Пріоритет маршрутизації аудіо

Перемикання режимів	Конфігурація	Маршрутизація передавання (Tx)	Маршрутизація прийому (Rx)
 Виносний мікрофон із динаміком окремо або з роз'ємом для стереопідсилювача	Виносний мікрофон із динаміком окремо	Виносний мікрофон із динаміком	Виносний мікрофон із динаміком
	Виносний мікрофон із динаміком із роз'ємом Nexus для стереопідсилювача	Роз'єм Nexus для стереопідсилювача	Роз'єм Nexus для стереопідсилювача
	Виносний мікрофон із динаміком із роз'ємом 3,5 мм для стереопідсилювача й роз'ємом Nexus для стереопідсилювача	Роз'єм Nexus для стереопідсилювача	Роз'єм Nexus для стереопідсилювача
	Виносний мікрофон із динаміком із роз'ємом 3,5 мм для стереопідсилювача	Виносний мікрофон із динаміком	Роз'єм 3,5 мм для стереопідсилювача
 Виносний мікрофон із динаміком окремо	Виносний мікрофон із динаміком окремо	Виносний мікрофон із динаміком	Виносний мікрофон із динаміком
	Виносний мікрофон із динаміком із роз'ємом Nexus для стереопідсилювача	Виносний мікрофон із динаміком	Виносний мікрофон із динаміком


Перемикання режимів	Конфігурація	Маршрутизація передавання (Tx)	Маршрутизація прийому (Rx)
	Виносний мікрофон із динаміком із роз'ємом 3,5 мм для стереопідсилювача й роз'ємом Nexus для стереопідсилювача	Виносний мікрофон із динаміком	Виносний мікрофон із динаміком
	Виносний мікрофон із динаміком із роз'ємом 3,5 мм для стереопідсилювача	Виносний мікрофон із динаміком	Виносний мікрофон із динаміком

2.1

Сигнал нагадування про перемикання режиму аудіо

Цей розділ містить інформацію про сигнал нагадування щодо перемикання режиму аудіо.

У разі перемикання маршрутизації аудіо в режим  в під'єднаному аксесуарі з роз'ємом Nexus лунає серія сигналів.

Ця звукова сигналізація є частиною системи захисту від випадкового або помилкового перемикання режиму аудіо, тому має бути постійно ввімкнена. Під час носіння й використання аксесуарів із роз'ємом Nexus рекомендовано перемикати аудіо в режим .

Розділ 3

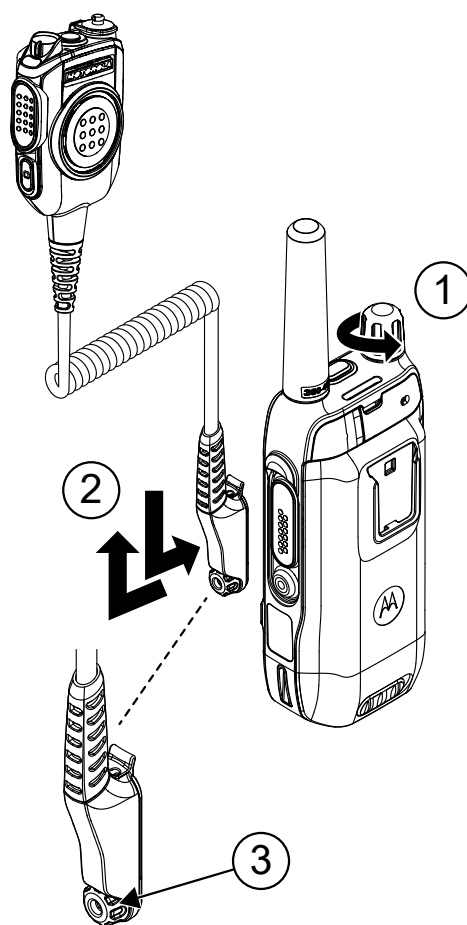
Інструкції з експлуатації

Цей розділ містить інструкції щодо використання виносного мікрофона з динаміком.

3.1

Під'єднання й від'єднання виносного мікрофона з динаміком

Коли й де використовувати:



Елемент	Опис
1	Вимкніть радіопристрій.
2	Затягніть або послабте гвинт із накатаною головкою, щоб під'єднати виносний мікрофон із динаміком до радіопристрою або від'єднати від нього.
3	Гвинт із накатаною головкою

Розділ 4

Рекомендовані налаштування радіопристрою



ПРИМІТКА: Застосовно тільки для радіопристроїв MOTOTRBO R7.

Main Menu (Головне меню)→Utilities (Утиліти)→Radio Settings (Налаштування радіопристрою)

Таблиця 5. Налаштування радіопристрою

Налаштування радіопристрою	Рекомендовані налаштування
Заглушення акустичного зворотного зв'язку	Увімкнено
Налаштування звуку	За замовчуванням
Інтелектуальне аудіо	Увімкнено
Автоматичний контроль підсилення мікрофона	Увімкнено
Заглушення шумів	Увімкнено
Симплексний режим	Увімкнено

Розділ 5

Рекомендації щодо використання

Цей розділ містить рекомендації щодо ефективного використання виносного мікрофона з динаміком.

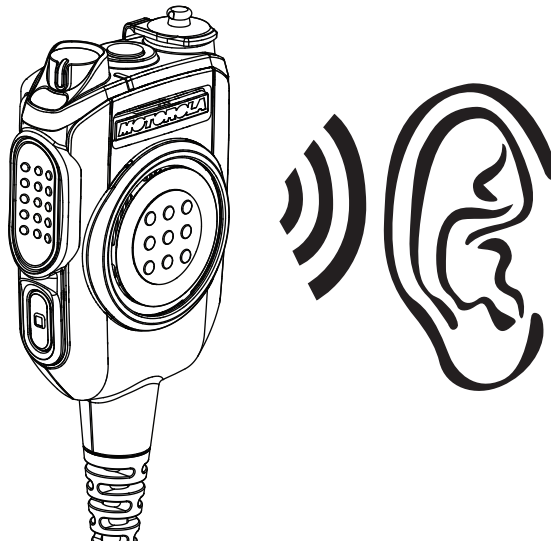
5.1

Приєм із виносним мікрофоном із динаміком

Процедура:

Щоб знайти докладнішу інформацію, див. [Пріоритет маршрутизації аудіо на стор. 11](#).

Рисунок 3. Приєм із виносним мікрофоном із динаміком



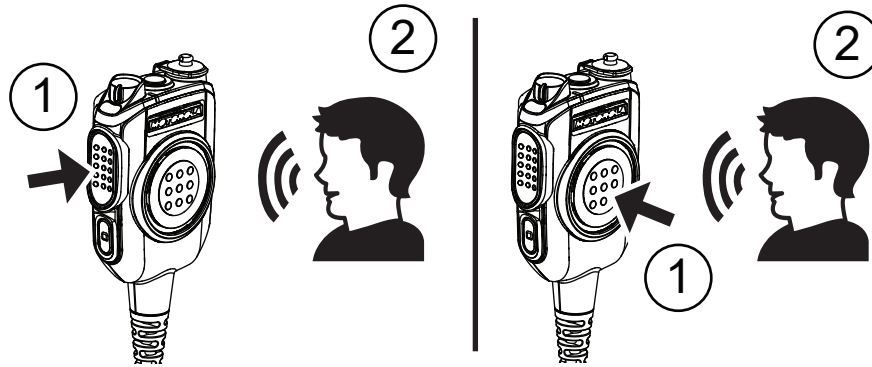
5.2

Передавання з виносним мікрофоном із динаміком

Процедура:

- 1 Натисніть і утримуйте кнопку **РТТ** (тангента).
- 2 Тримайте мікрофон біля рота, щоб вас було краще чути.

Рисунок 4. Передавання з виносним мікрофоном із динаміком



5.3

Використання аудіороз'єму

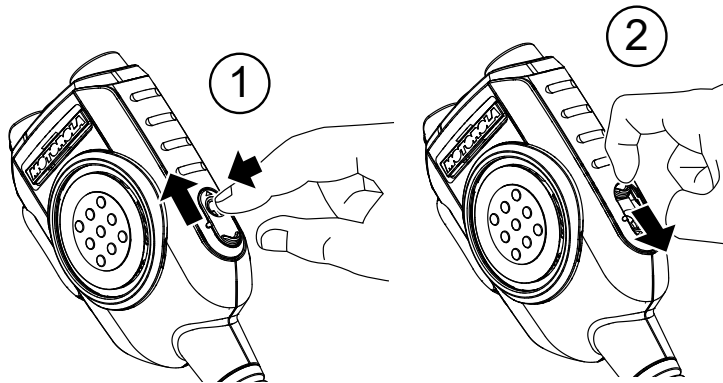
Цей розділ містить практичні рекомендації з ефективного використання аудіороз'єму.

- Перед використанням очистьте аудіороз'єм від бруду й сторонніх предметів.
- Коли аудіороз'єм не використовується, накривайте його пилозахисною кришкою.

5.3.1

Відкривання й закривання кришки аудіороз'єму

Коли й де використовувати:



Елемент	Опис
1	Натисніть на кришку й посуньте її
2	Посуньте кришку

5.3.2

Вставлення й виймання кабелю з аудіороз'єму

Коли й де використовувати:

Рисунок 5. Під'єднання до аудіороз'єму

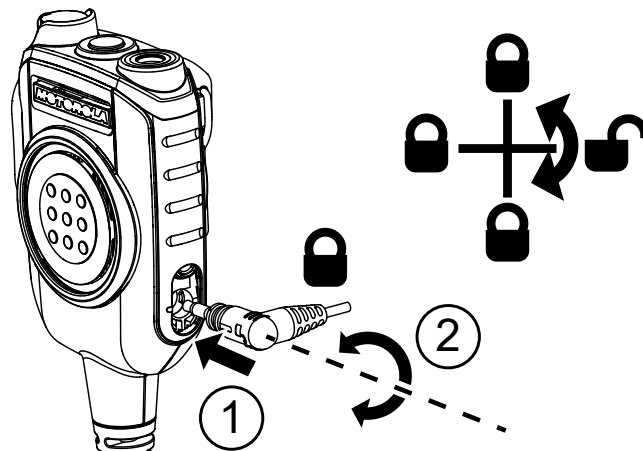
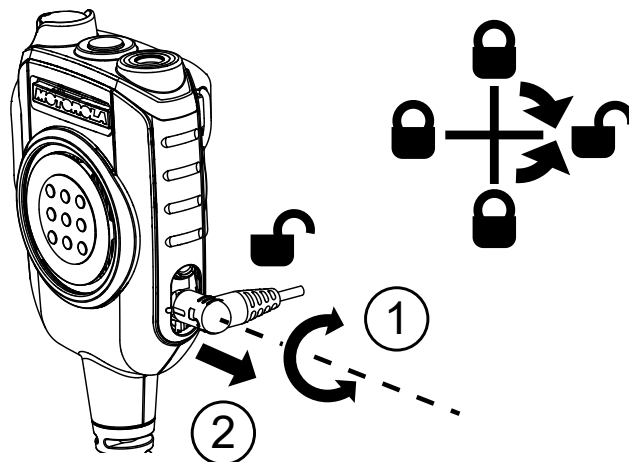


Рисунок 6. Від'єднання від аудіороз'єму



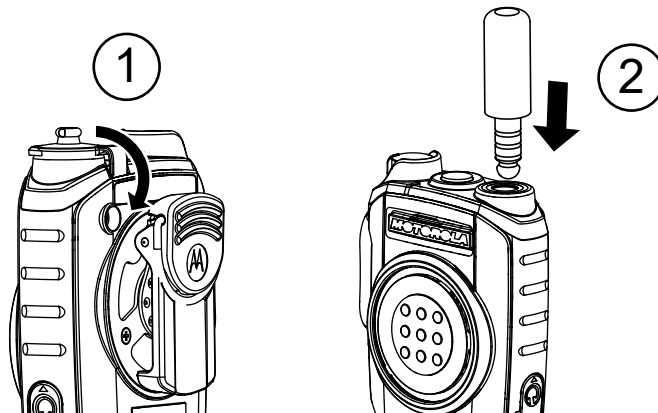
5.4

Роз'єм Nexus

Цей розділ містить практичні рекомендації з ефективного використання роз'єму Nexus

- Перед використанням очистьте роз'єм від бруду й сторонніх предметів.
- Коли роз'єм Nexus не використовується, накривайте його пилозахисною кришкою.

Рисунок 7. Під'єднання до роз'єму Nexus



ПРИМІТКА: Рекомендовано вимикати радіопристрій перед під'єднанням або від'єднанням аксесуарів із роз'ємом Nexus.

5.5

Рекомендовані способи носіння

У цьому розділі описано рекомендовані способи носіння виносного мікрофона з динаміком.

Рисунок 8. Виносний мікрофон із динаміком із довгим кабелем

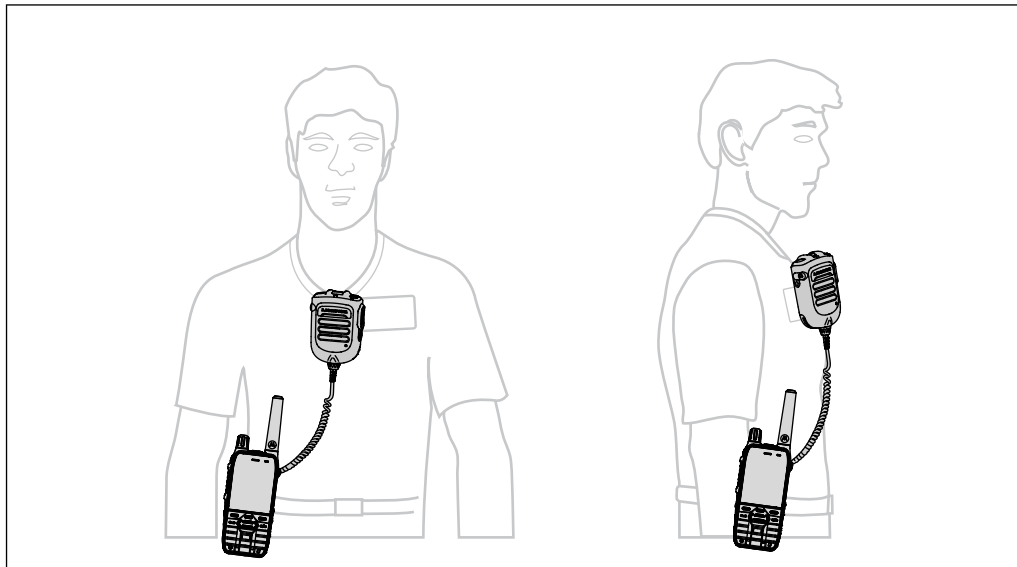
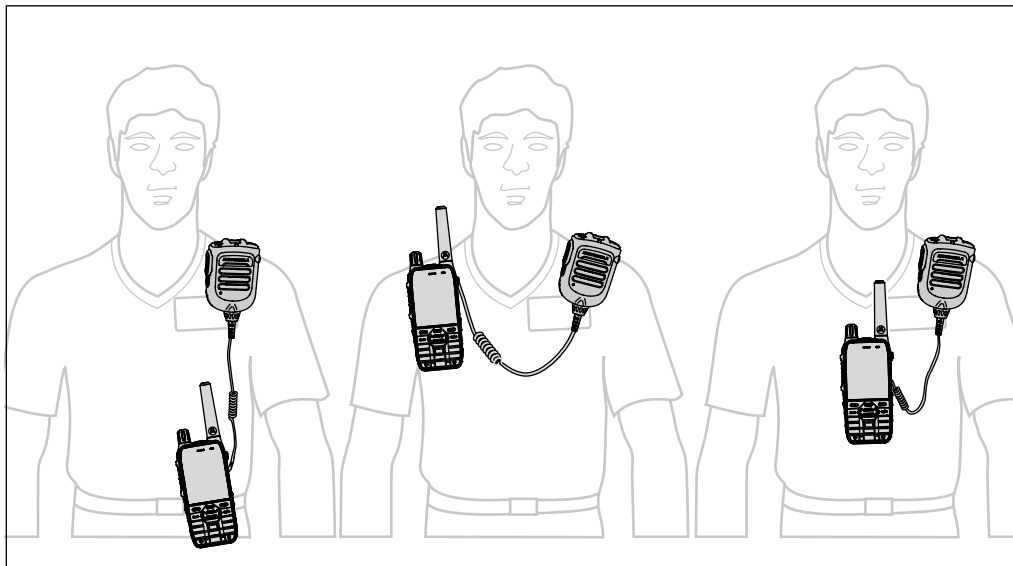


Рисунок 9. Виносний мікрофон із динаміком із коротким кабелем

ПРИМІТКА: Спосіб носіння в петлиці передбачений тільки для легких радіопристроїв.

5.6

Розташування кабелю

У цьому розділі описано рекомендоване положення кабелю.

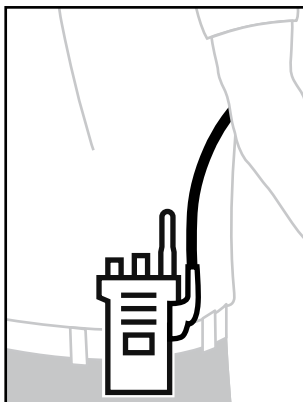
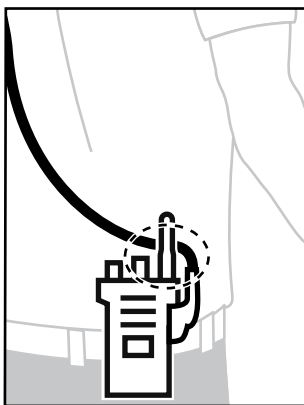
Рисунок 10. Рекомендовано

Рисунок 11. Не рекомендовано



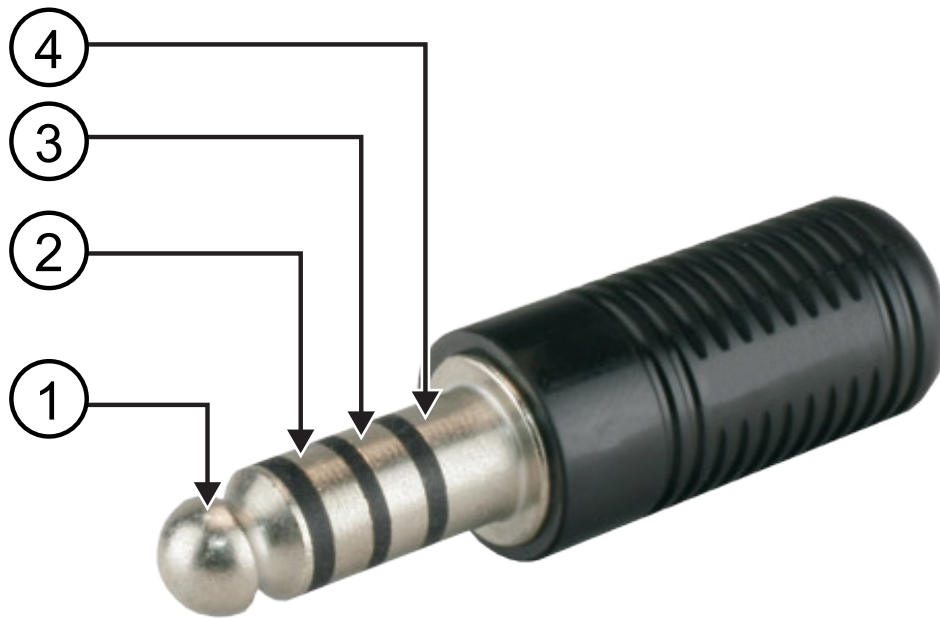
Для забезпечення оптимальної робочої довжини рекомендується уникати перетинів кабелю аксесуара з антеною радіопристрою.

Розділ 6

Інтерфейс виносного мікрофона з динаміком NS750 Nexus

У цьому розділі наведено опис інтерфейсу виносного мікрофона з динаміком Nexus для підключення до різних допоміжних аудіоаксесуарів із роз'ємом Nexus.

Рисунок 12. Роз'єм Nexus



Таблиця 6. Роз'єм Nexus

Коментар	Опис роз'єму Nexus
1	Кінчик (контакт 1)
2	Кільце 1 (контакт 2)
3	Кільце 2 (контакт 3)
4	Втулка (контакт 4)

Таблиця 7. Інтерфейс виносного мікрофона з динаміком NS750 Nexus

Параметр	Значення	
Електретний мікрофон + процесор цифрової обробки сигналів		
Канал зв'язку	Канал 1	
Імпеданс мікрофона	Відкрито	
Напруга, яку виявляє мікрофон (між контактами 2 й 1 у порівнянні з опорною напругою (1,1 В))	Вища за опорну напругу на контакті 2	
Вихідні контакти	Призначення вихідних контактів	Примітки
Контакт 1	Заземлення	Заземлення
Контакт 2	Мікрофон +	> 1,1 В (більше опорної напруги)
Контакт 3	Не під'єднано	Не застосовується
Контакт 4	Несиметричний динамік	Несиметричне відтворення звуку
Підсилювання мікрофона в RSM	+6 дБ	
Пропонована чутливість компонентів мікрофона	Електретний мікрофон із процесором цифрової обробки сигналів	
Імпеданс динаміка	Визначає постачальник	
Безпечний рівень звуку, рекомендований компанією Motorola Solutions	прибл. < 118 дБ рівень звукового тиску (пік)	
Електретний мікрофон		
Канал зв'язку	Канал 2	
Імпеданс мікрофона	прибл. < 1 кОм	
Напруга, яку виявляє мікрофон (між контактами 2 й 1 у порівнянні з опорною напругою (1,1 В))	Менша за опорну напругу на контакті 2	
Вихідні контакти	Призначення вихідних контактів	Примітки
Контакт 1	Заземлення	Заземлення
Контакт 2	Мікрофон +	< 1,1 В (менше опорної напруги)
Контакт 3	Динамік +	Збалансований звук
Контакт 4	Динамік –	
Підсилювання мікрофона в RSM	+22 дБ	
Пропонована чутливість	Електретний мікрофон (прибл. –60 дБ відносно 1 В/Па)	

Параметр	Значення	
компонентів мікрофона		
Імпеданс динаміка	Визначає постачальник	
Безпечний рівень звуку, рекомендований компанією Motorola Solutions	прибл. < 118 дБ рівень звукового тиску (пік)	
Кісткова провідність / акселерометр		
Канал зв'язку	Канал 3	
Імпеданс мікрофона	прибл. < 1 кОм	
Напруга, яку виявляє мікрофон (між контактами 3 й 1 у порівнянні з опорною напругою (1,1 В))	Менша за опорну напругу на контакті 3	
Вихідні контакти	Призначення вихідних контактів	Примітки
Контакт 1	Заземлення	Заземлення
Контакт 2	Не під'єднано	Не застосовується
Контакт 3	Кісткова провідність Мікрофон	< 1,1 В (менше опорної напруги)
Контакт 4	Несиметричний динамік	Несиметричне відтворення звуку
Підсилювання мікрофона в RSM	+29 дБ	
Пропонована чутливість компонентів мікрофона	Чутливий до вібрації мікрофон повного опору	
Імпеданс динаміка	Визначає постачальник	
Безпечний рівень звуку, рекомендований компанією Motorola Solutions	прибл. < 118 дБ рівень звукового тиску (пік)	

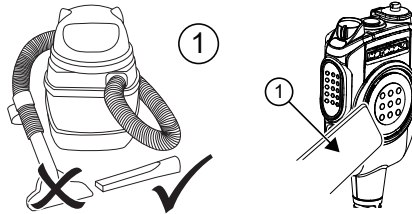
Розділ 7

Процедури очищення

Цей розділ містить опис процедур очищення виносного мікрофона з динаміком.

Додаткові заходи для середовищ із високим рівнем забруднення

Перед виконанням процедури очищення пропилососьте передню поверхню виносного мікрофона з динаміком.



ПОПЕРЕДЖЕННЯ: Гарантія скасовується в разі застосування:

- пилососів потужністю понад 4 к. с. / 3 кВт;
- будь-яких насадок, окрім щілинної;
- будь-яких інших способів чищення.

7.1

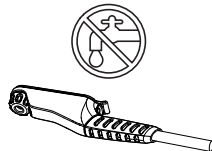
Процедура очищення

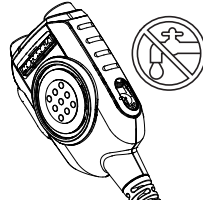
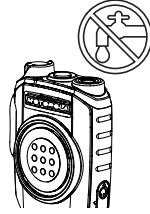
Коли й де використовувати:



ПОПЕРЕДЖЕННЯ:

- Стежте за тим, щоб роз'єм не намокав.
- Не допускайте потрапляння вологи в аудіороз'єм або роз'єм Nexus.
- Коли до аудіороз'єму або роз'єму Nexus не під'єднано навушники, накривайте їх пилозахисною кришкою.
- Якщо в аудіороз'єм або роз'єм Nexus потрапила рідина, потрясіть виносний мікрофон із динаміком, щоб видалити її.

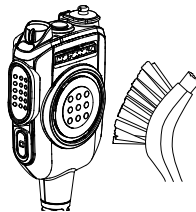




ПОПЕРЕДЖЕННЯ: Можна використовувати тільки водний розчин побутового мила. Інші мийні засоби можуть непоправно пошкодити корпус виносного мікрофона з динаміком, що призведе до скасування гарантії. Замочуйте не більше ніж на 30 хвилин.

Процедура:

- 1 Змішайте одну чайну ложку м'якого засобу для миття посуду з одним галоном (3,8 л) води, щоб отримати розчин концентрацією 0,5 %.
- 2 Нанесіть трохи розчину нейловою щіткою з коротким жорстким ворсом.



ПОПЕРЕДЖЕННЯ: Ворсинки не повинні потрапляти до отворів динаміка або роз'єму мікрофона – це може спричинити пошкодження та, як наслідок, скасування гарантії.

- 3 Ретельно промийте виносний мікрофон із динаміком холодною водою та витріть насухо м'якою тканиною без ворсу.
- 4 Тримавши виносний мікрофон із динаміком передньою поверхнею вниз, злегка кілька разів струсіть його, щоб видалити воду, яка могла потрапити в отвори динаміка або роз'єми мікрофона.

7.2

Процедури дезінфекції та знезараження

Motorola Solutions надає вказівки щодо чищення й дезінфекції вашого виносного мікрофона з динаміком, які ґрунтуються на поточному та найкращому розумінні гігієни виносного мікрофона з динаміком.

За даними міжнародних органів охорони здоров'я, видалення мікробів, бруду й забруднень із поверхонь знижує ризик поширення інфекції. Для дезінфекції чи знезараження виносного мікрофона з динаміком можна використовувати такі засоби:

- Серветки для знезараження De-Wipe

Розділ 8

Обслуговування й гарантія

Motorola Solutions надає стандартну однорічну гарантію на пристрій. Щоб отримати докладнішу інформацію стосовно стандартної гарантії, зверніться до дилера Motorola Solutions.

Додаткова інформація

Зверніться до авторизованого дилера Motorola Solutions або відвідайте наш сайт www.motorolasolutions.com.



ميكروفون مكبر الصوت البعيد العديد الاتجاهات **NS750 IMPRES™**، **PMMN4151 و PMMN4150**

يوليو 2023



معلومات السلامة والمعلومات القانونية

يوفر هذا القسم معلومات السلامة والمعلومات القانونية الخاصة بهذا المنتج.

الملكية الفكرية والإشعارات التنظيمية

حقوق الطبع والنشر

قد تتضمن منتجات Motorola Solutions الموضحة في هذا المستند برامج كمبيوتر خاصة بشركة Motorola Solutions ومحمية بموجب حقوق الطبع والنشر. وتحفظ القوانين في الولايات المتحدة وبلدان أخرى لشركة Motorola Solutions حقوقاً حصريّة معيّنة في برامج الكمبيوتر المحمية بموجب حقوق الطبع والنشر. وبناءً عليه، لا يجوز نسخ أي برامج كمبيوتر خاصة بشركة Motorola Solutions محمية بموجب حقوق الطبع والنشر وتتضمنها منتجات Motorola Solutions الموضحة في هذا المستند أو إعادة إنتاجها بأي طريقة من دون الحصول على إذن كتابي صريح من شركة Motorola Solutions.

لا تجوز إعادة إنتاج أي جزء من هذا المستند أو إرساله أو تخزينه في نظام استرداد أو ترجمته إلى أي لغة أو لغة الكمبيوتر، بأي صورة أو أي طريقة، من دون الحصول على إذن كتابي سابق من شركة Motorola Solutions, Inc.

العلامات التجارية

إن MOTOROLA وMOTO وMOTOROLA SOLUTIONS وشعار M النمطي هي علامات تجارية أو علامات تجارية مسجلة لشركة Motorola Trademark Holdings, LLC وتُستخدم بموجب ترخيص. وكل العلامات التجارية الأخرى مملوكة لمالكها المعنيين.

حقوق الترخيص

لا يُعد شراء منتجات Motorola Solutions بمنزلة منح مباشر أو ضمني، أو بالوقف أو غير ذلك، لأي ترخيص بموجب حقوق الطبع والنشر أو براءات الاختراع أو طلبات تسجيل براءات الاختراع الخاصة بشركة Motorola Solutions، باستثناء ترخيص الاستخدام العادي غير الحصري الخالي من رسوم حقوق المؤلف الذي ينشأ بموجب إعمال القانون في عملية بيع المنتج.

المحتوى مفتوح المصدر

قد يحتوي هذا المنتج على برامج مفتوحة المصدر تُستخدم بموجب ترخيص. راجع وسائط تركيب المنتج للاطلاع على المحتوى الكامل للإسناد والإشعارات القانونية الخاصة بالمصدر المفتوح.

توجيه الاتحاد الأوروبي (EU) والمملكة المتحدة (UK) بشأن نفايات الأجهزة الكهربائية والإلكترونية (WEEE)



يتطلب توجيه الاتحاد الأوروبي وكذلك لائحة المملكة المتحدة بشأن نفايات الأجهزة الكهربائية والإلكترونية (WEEE) أن تتضمن المنتجات المباعة في دول الاتحاد الأوروبي والمملكة المتحدة ملصقاً يحمل شكل صندوق نفايات بعجلة عليه علامة خطأ على المنتج نفسه (أو على العبوة في بعض الحالات). وطبقاً لما ينص عليه التوجيه الخاص بنفايات الأجهزة الكهربائية والإلكترونية (WEEE)، فإن هذا الملصق الذي يحمل شكل صندوق نفايات بعجلة عليه علامة خطأ يعني أنه يجب على العملاء والمستخدمين النهائيين في دول الاتحاد الأوروبي والمملكة المتحدة عدم التخلص من الأجهزة أو الملحقات الإلكترونية والكهربائية في النفايات المنزلية.

يجب على العملاء أو المستخدمين النهائيين في دول الاتحاد الأوروبي والمملكة المتحدة الاتصال بمندوب مورّد الأجهزة أو مركز الخدمة المحلي للحصول على معلومات عن نظام جمع النفايات في بلدانهم.

إخلاء المسؤولية

يُرجى العلم أن ثمة ميزات ووسائل مساعدة وإمكانات معيّنة موضحة في هذا المستند قد لا تكون سارية أو مرخصة للاستخدام في نظام معين، أو ربما تعتمد على خصائص وحدة مشترك معيّنة خاصة بالأجهزة المحمولة أو تكوين معلّمت معيّنة. يُرجى الرجوع إلى جهة اتصال Motorola Solutions لديك لمزيد من المعلومات.

حقوق الطبع والنشر © 2023 لشركة Motorola Solutions, Inc. جميع الحقوق محفوظة

دليل سلامة المنتج والتعرض لطاقة الترددات اللاسلكية لأجهزة الراديو اليدوية ثنائية الاتجاه

تنبيه:

قبل استخدام هذا الملحق، اقرأ هذا الدليل الذي يتضمن تعليمات التشغيل المهمة للاستخدام الآمن وللتعريف بطاقة الترددات اللاسلكية والتحكم فيها للامتثال للمعايير واللوائح المعمول بها.

يقتصر استخدام ميكروفون مكبر الصوت البعيد (RSM)، عند توصيله بالراديو، على الاستخدام المهني فقط لتحقيق متطلبات التعرض لطاقة الترددات اللاسلكية الصادرة عن كل من هيئة الاتصالات الفيدرالية (FCC) واللجنة الدولية للحماية من الإشعاع غير المؤين (ICNIRP). وقبل استخدام هذا المنتج، اقرأ معلومات التعريف بطاقة الترددات اللاسلكية وتعليمات التشغيل الواردة في كتيب "سلامة المنتج والتعرض للترددات اللاسلكية" المرفق مع الراديو لضمان الامتثال لحدود التعرض لطاقة الترددات اللاسلكية.

للحصول على معلومات عن التوافق مع أجهزة الراديو، راجع التوافق مع أجهزة الراديو في صفحة 7.

السلامة السمعية

قد يؤدي التعرض لضوضاء عالية من أي مصدر لفتراتٍ طويلة إلى تأثير حاسة السمع لديك بشكل مؤقت أو دائم. وكلما ارتفع مستوى صوت الراديو، كان تأثير حاسة السمع لديك أسرع. وفي بعض الأحيان لا يمكن اكتشاف الضرر السمعي الناتج عن الضوضاء العالية في بدايته وقد يكون له تأثير تراكمي. ولحماية حاسة السمع لديك:

- استخدم أقل مستوى صوت يحتاج إليه عملك.
- لا ترفع مستوى الصوت إلا إذا كانت البيئة المحيطة بك صاخبة.
- اخفض مستوى الصوت قبل ارتداء سماعة الرأس أو سماعة الأذن.
- قلّل مدة استخدامك سماعات الرأس أو سماعات الأذن بمستوى صوت مرتفع.
- عند استخدام الراديو من دون سماعة رأس أو سماعة أذن، لا تضع مكبر صوت الراديو أمام الأذن مباشرةً.
- إذا شعرت بالانزعاج في أثناء الاستماع أو سمعت طنينًا في أذنيك أو خفوتًا في الصوت، فيجب أن تتوقف عن الاستماع إلى الراديو عبر سماعة الرأس أو سماعة الأذن وتفحص حاسة سمعك لدى الطبيب. ولتغيير مستوى الصوت، راجع منشور سلامة المنتج الخاص بالراديو أو برنامج البرمجة للعملاء (CPS) للوصول إلى تكوينات مجموعة الصوت الأعلى (XL) الخاصة بالمراقبة.

علامات الشهادات



عنوان جهة الاتصال

جهة الاتصال في الاتحاد الأوروبي

Motorola Solutions,

Czerwone Maki 82,

30-392 Krakow, Poland

جهة الاتصال في المملكة المتحدة

Motorola Solutions UK Ltd.,

Nova South, 160 Victoria Street,

London, SW1E 5LB,

United Kingdom

اتصل بنا

مركز عمليات الدعم المُدارة المركزية (CMSO) هو جهة الاتصال الأساسية للحصول على الدعم الفني المضمّن في اتفاقية الخدمة الخاصة بمؤسستك مع Motorola Solutions.

يجب أن يحرص عملاء اتفاقية الخدمة على التواصل مع مركز عمليات الدعم المُدارة المركزية (CMSO) في كل الحالات الواردة ضمن "مسؤوليات العميل" في الاتفاقية الخاصة بهم، على سبيل المثال:

- لتأكيد النتائج والتحليلات المتعلقة باكتشاف الأخطاء وإصلاحها قبل اتخاذ أي إجراء

تسلمت مؤسستك أرقام هواتف الدعم ومعلومات الاتصال الأخرى المناسبة لمنطقتك الجغرافية واتفاقية الخدمة الخاصة بك. استخدم معلومات الاتصال هذه للحصول على الاستجابة الأكثر فعالية. ومع ذلك، إذا لزم الأمر، فيمكنك العثور أيضًا على معلومات اتصال الدعم العام على موقع Motorola Solutions على الويب من خلال اتباع الخطوات الآتية:

- 1 أدخل العنوان motorolasolutions.com في المستعرض.
- 2 تأكد من أن البلد أو المنطقة التي توجد فيها مؤسستك معروضة على الصفحة. ويوفر الضغط على اسم المنطقة أو النقر فوقه طريقة لتغييره.
- 3 حدد "Support" في صفحة motorolasolutions.com.

التعليقات

يمكنك إرسال الاستفسارات والتعليقات المتعلقة بمستندات المستخدم إلى documentation@motorolasolutions.com.

قدّم المعلومات الآتية عند الإبلاغ عن خطأ في المستندات:

- عنوان المستند ورقم القطعة
- رقم الصفحة أو عنوان القسم الذي يشتمل على الخطأ
- وصفًا للخطأ

توفر Motorola Solutions دورات تدريبية مختلفة مصمّمة للمساعدة على التعرف على النظام. وللحصول على المعلومات، انتقل إلى <https://learning.motorolasolutions.com> لمشاهدة عروض الدورات التدريبية والمسارات التكنولوجية الحالية.

اصطلاحات الرموز

تم تصميم مجموعة المستندات لتزويد القارئ بمزيد من التلميحات المرئية. وتُستخدم الرموز الرسومية الآتية في مجموعة المستندات بأكملها.

خطر: تدل الكلمة البارزة "خطر" مع رمز السلامة المرتبط بها على معلومات قد تؤدي، في حال تجاهلها، إلى الوفاة أو التعرض لإصابة خطيرة.



تحذير: تشير الكلمة البارزة "تحذير" مع رمز السلامة المرتبط بها إلى معلومات قد تؤدي، في حال تجاهلها، إلى الوفاة أو التعرض لإصابة خطيرة أو حدوث أضرار جسيمة في المنتج.



تنبيه: تشير الكلمة البارزة "تنبيه" مع رمز السلامة المرتبط بها إلى معلومات قد تؤدي، في حال تجاهلها، إلى التعرض لإصابة طفيفة أو متوسطة أو حدوث أضرار جسيمة في المنتج.



تنبيه: قد تُستخدم الكلمة البارزة "تنبيه" من دون رمز السلامة للإشارة إلى ضرر أو إصابة محتملين غير مرتبطين بالمنتج.

هام: تحتوي العبارات ضمن الفئة "هام" على معلومات ضرورية للموضوع قيد المناقشة لكنها ليست تنبيهاً أو تحذيراً. ولا يوجد مستوى تحذير مرتبط بالعبارات ضمن الفئة "هام".



ملاحظة: تتضمن "الملاحظة" معلومات أهم من النص المحيط، مثل الاستثناءات أو الشروط السابقة. وهي توجّه القارئ أيضاً إلى مكان آخر للحصول على معلومات إضافية أو تُذكره بكيفية إكمال إجراء ما (عندما لا يكون جزءاً من الإجراء الحالي مثلاً) أو تخبره بموقع شيء ما على الشاشة. ولا يوجد مستوى تحذير مرتبط بالملاحظة.



المحتويات

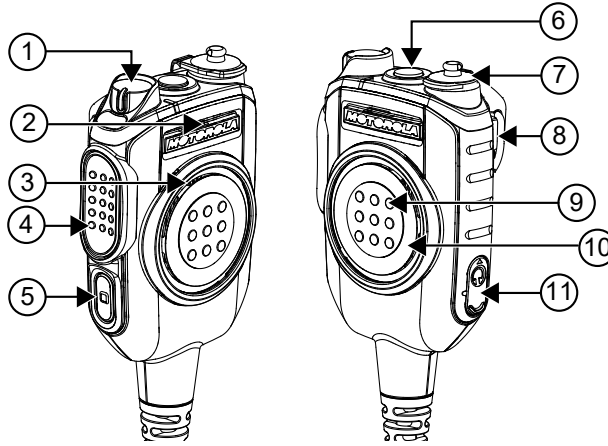
2	معلومات السلامة والمعلومات القانونية.....
2	الملكية الفكرية والإشعارات التنظيمية.....
3	دليل سلامة المنتج والتعرض لطاقة الترددات اللاسلكية لأجهزة الراديو اليدوية ثنائية الاتجاه.....
3	السلامة السمعية.....
3	Conformity Markings.....
3	عنوان جهة الاتصال.....
4	اتصل بنا.....
5	اصطلاحات الرموز.....
7	الفصل 1: نظرة عامة على ميكروفون مكبر الصوت البعيد.....
7	1.1 التوافق مع أجهزة الراديو.....
8	1.2 الملحقات المعتمدة.....
8	1.3 قطع الغيار.....
9	الفصل 2: تحديد الأولوية لتوجيه الصوت.....
9	2.1 تنبيه التنكير بتبديل الصوت.....
11	الفصل 3: تعليمات التشغيل.....
11	3.1 توصيل ميكروفون مكبر الصوت البعيد (RSM) وفصله.....
12	الفصل 4: إعدادات الراديو الموصى بها.....
13	الفصل 5: الممارسات الموصى بها.....
13	5.1 الاستقبال من ميكروفون مكبر الصوت البعيد (RSM).....
13	5.2 الإرسال من ميكروفون مكبر الصوت البعيد (RSM).....
14	5.3 استخدام مقبس الصوت.....
14	5.3.1 فتح غطاء مقبس الصوت وإغلاقه.....
14	5.3.2 إدخال مقبس الصوت وإزالته.....
15	5.4 مقبس Nexus.....
16	5.5 مواضع الارتداء الموصى بها.....
17	5.6 إدارة الكابلات.....
19	الفصل 6: واجهة NS750 Nexus لميكروفون مكبر الصوت البعيد.....
22	الفصل 7: إجراءات التنظيف.....
22	7.1 إجراء التنظيف.....
23	7.2 إجراءات التطهير والتعقيم.....
24	الفصل 8: الخدمة والضمان.....

نظرة عامة على ميكروفون مكبر الصوت البعيد

ينطبق هذا الدليل على أجهزة ميكروفون مكبر الصوت البعيد الآتية:

- PMMN4150 - ميكروفون مكبر الصوت البعيد العديدي الاتجاهات (المزوّد بكابل طويل)
- PMMN4151 - ميكروفون مكبر الصوت البعيد العديدي الاتجاهات (المزوّد بكابل قصير)

الشكل 1: نظرة عامة على ميكروفون مكبر الصوت البعيد



العنصر	الوصف
1	قرص تبديل الصوت
2	الميكروفون العديدي الاتجاهات
3	السماعة
4	زر الضغط للتحدث (PTT) الجانبي
5	زر قابل للبرمجة بنقطة واحدة
6	زر الملحق البرتقالي
7	مقيس Nexus
8	مشبك الحزام
9	زر PTT الأمامي
10	موضع ملصق غطاء PTT الأمامي
11	مقيس صوت مقاس 3,5 مم ¹

1.1

التوافق مع أجهزة الراديو

تتوافق أجهزة الراديو الآتية مع ميكروفون مكبر الصوت البعيد (RSM):

- MOTOTRBO R7 - يتطلب البرنامج الثابت بإصدار R02.22.03.1001 والإصدارات الأحدث

¹ يتوافق مقيس الصوت مقاس 3,5 مم مع مجموعة PMLN7188 فقط

- MXP600 - يتطلب البرنامج الثابت بإصدار R55.XX0.9840 والإصدارات الأحدث

1.2

الملحقات المعتمدة

يوفر هذا القسم قائمة بالملحقات المعتمدة لاستخدامها مع ميكروفون مكبر الصوت البعيد (RSM).

سماعة الأذن

الجدول 1: سماعة الأذن

رقم القطعة	الوصف
PMLN7188_	سماعة أذن ATEX مقاس 3,5 مم للاستقبال فقط مزودة بأنبوب نصف شفاف

ملحقات Nexus الصوتية

الجدول 2: ملحقات Nexus الصوتية

رقم القطعة	الوصف
GMMN4585_2,3	جهاز تواصل للخوذة Savox HC-1
GMMN4584_2,3	جهاز تواصل للخوذة Savox HC-2
PMLN8265_2,3	سماعة رأس مزودة بعصايب رأس مع مقبس Nexus
PMLN8266_2,3	سماعة رأس مزودة بشريط عنق مع مقبس Nexus
PMLN8267_2,3	سماعة رأس مزودة بخوذة صلبة مع مقبس Nexus

إن الأداء الصوتي لملحقات مقابس Nexus الأخرى المتصلة بميكروفون مكبر الصوت البعيد غير مضمون لأنه لم يتم اختبار توافقها. وللحصول على الأداء الأمثل، ضع كابل ملحقات Nexus بعيداً عن هوائي الراديو.

1.3

قطع الغيار

ميكروفون مكبر الصوت البعيد الخاص بك غير قابل للإصلاح. وتتوفر الملحقات الاختيارية وقطع الغيار الآتية للطلب من Motorola Solutions.

الجدول 3: قطع الغيار

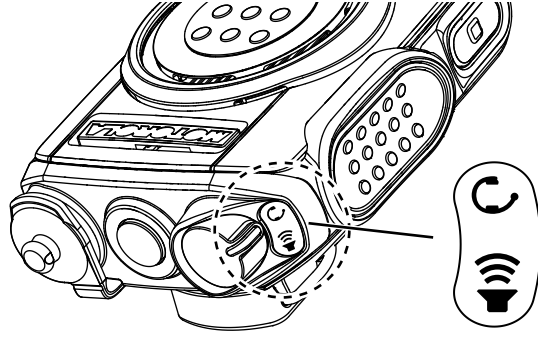
رقم القطعة	الوصف
0104068J78_	مشبك الحزام
PMLN8464_	ملصق غطاء PTT الأمامي البديل (أخضر)
PMLN8465_	ملصق غطاء PTT الأمامي البديل (أزرق)
PMLN8466_	ملصق غطاء PTT الأمامي البديل (أحمر)
PMLN8468_	ملصق غطاء PTT الأمامي البديل (أصفر)
PMLN8469_	ملصق غطاء PTT الأمامي البديل (فضي)
PMLN8523_	ملصق غطاء PTT الأمامي البديل (برتقالي)

² تُعد ملحقات Nexus الصوتية غير معتمدة من مختبرات ضمان المواصفات (UL).




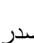
³ يُعد مستوى النظام غير معتمد من مختبرات ضمان المواصفات (UL) عند استخدامه مع ميكروفون مكبر الصوت البعيد.

تحديد الأولوية لتوجيه الصوت

الشكل 2: توجيه الصوت




الجدول 4: تحديد الأولوية لتوجيه الصوت


وضع التبديل	التكوين	توجيه الإرسال (Tx)	توجيه الاستقبال (Rx)
 ميكروفون مكبر الصوت البعيد أو بمقياس SAA	ميكروفون مكبر الصوت البعيد وحده	ميكروفون مكبر الصوت البعيد	ميكروفون مكبر الصوت البعيد
	ميكروفون مكبر الصوت البعيد مع Nexus SAA	Nexus SAA	Nexus SAA
 ميكروفون مكبر الصوت البعيد فقط	ميكروفون مكبر الصوت البعيد مع SAA مقاس 3,5 مم	ميكروفون مكبر الصوت البعيد	ميكروفون مكبر الصوت البعيد
	ميكروفون مكبر الصوت البعيد مع SAA مقاس 3,5 مم	ميكروفون مكبر الصوت البعيد	ميكروفون مكبر الصوت البعيد
 ميكروفون مكبر الصوت البعيد فقط	ميكروفون مكبر الصوت البعيد وحده	ميكروفون مكبر الصوت البعيد	ميكروفون مكبر الصوت البعيد
	ميكروفون مكبر الصوت البعيد مع Nexus SAA	ميكروفون مكبر الصوت البعيد	ميكروفون مكبر الصوت البعيد
 ميكروفون مكبر الصوت البعيد فقط	ميكروفون مكبر الصوت البعيد مع SAA مقاس 3,5 مم	ميكروفون مكبر الصوت البعيد	ميكروفون مكبر الصوت البعيد
	ميكروفون مكبر الصوت البعيد مع SAA مقاس 3,5 مم	ميكروفون مكبر الصوت البعيد	ميكروفون مكبر الصوت البعيد

2.1

تنبيه التذكير بتبديل الصوت

يوفر هذا القسم معلومات عن تنبيه التذكير بتبديل الصوت.

يصدر تنبيه صوتي نابض في ملحقات Nexus المتصلة عند تبديل توجيه الصوت إلى الوضع .

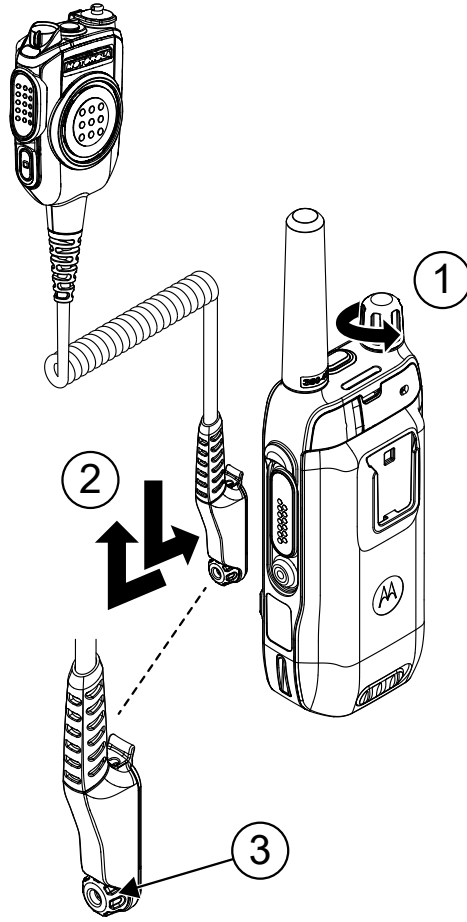
يتم تمكين التنبيه الصوتي دائماً بوصف ذلك جزءاً من ميزة السلامة لمنع تبديل الصوت عن طريق الخطأ أو النسيان. يُوصى بتبديل الصوت إلى الوضع  عند ارتداء ملحق Nexus لتشغيله.

تعليمات التشغيل

يوفر هذا القسم إرشادات عن كيفية استخدام ميكروفون مكبر الصوت البعيد.

3.1 توصيل ميكروفون مكبر الصوت البعيد (RSM) وفصله

دواعي الاستخدام:



الوصف	العنصر
أوقف تشغيل الراديو.	1
أحكم ربط البرغي أو قم بإرخائه لتركيب ميكروفون مكبر الصوت البعيد في الراديو أو فصله عنه.	2
برغي إبهامي	3

إعدادات الراديو الموصى بها

ملاحظة: تنطبق على أجهزة راديو MOTOTRBO R7 فقط.



القائمة الرئيسية → أدوات مساعدة → إعدادات الراديو

الجدول 5: إعدادات الراديو

إعدادات الراديو	الإعدادات الموصى بها
كاتم تردد الصوت	ممكّن
تفضيل الصوت	افتراضي
الصوت الذكي	ممكّن
Mic AGC-D	ممكّن
كاتم الضجيج	ممكّن
التحدث الحر	ممكّن

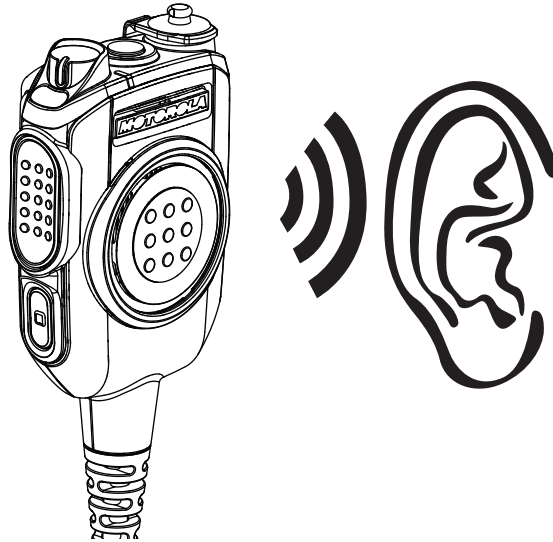
الممارسات الموصى بها

يوفر هذا القسم معلومات عن الممارسات الموصى بها لميكروفون مكبر الصوت البعيد (RSM).

5.1 الاستقبال من ميكروفون مكبر الصوت البعيد (RSM)

الإجراء:

راجع تحديد الأولوية لتوجيه الصوت في صفحة 9 للحصول على مزيد من المعلومات.
الشكل 3: الاستقبال من ميكروفون مكبر الصوت البعيد

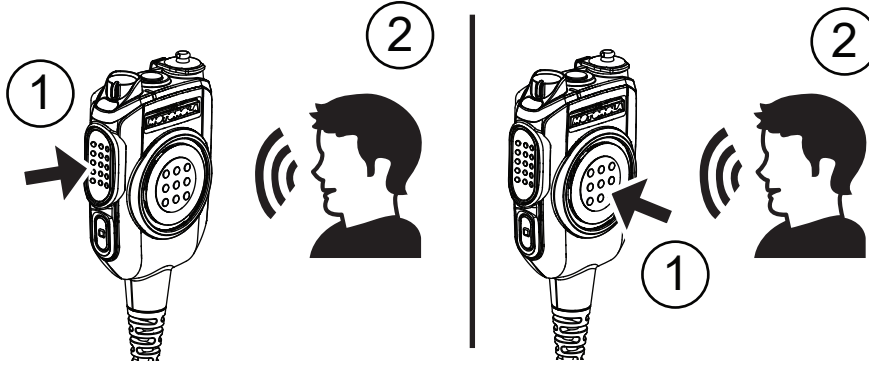


5.2 الإرسال من ميكروفون مكبر الصوت البعيد (RSM)

الإجراء:

- 1 اضغط مع الاستمرار على زر PTT.
- 2 تحدّث بالقرب من الميكروفون للحصول على أفضل وضوح.

الشكل 4: الإرسال من ميكروفون مكبر الصوت البعيد



5.3

استخدام مقبس الصوت

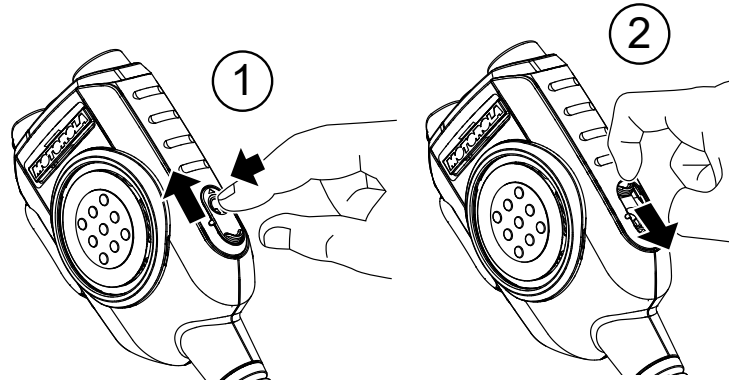
يوفر هذا القسم معلومات عن أفضل الممارسات لمقبس الصوت.

- قم بتنظيف أي مواد غريبة أو إزالتها من مقبس الصوت قبل استخدامه.
- قم دائماً بتغطية مقبس الصوت بغطاء الحماية من الأتربة عند عدم توصيله.

5.3.1

فتح غطاء مقبس الصوت وإغلاقه

دواعي الاستخدام:



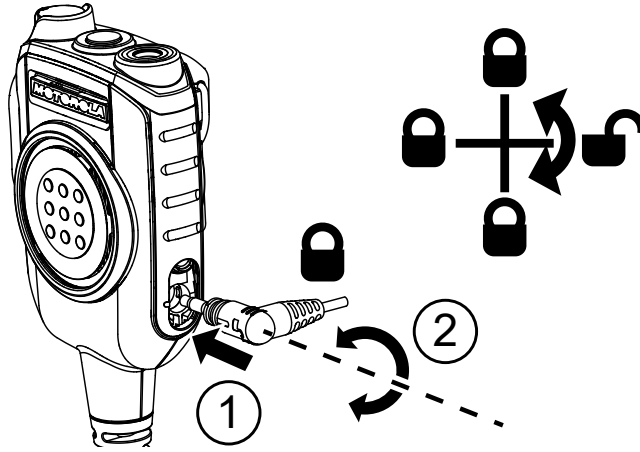
العنصر	الوصف
1	ادفع الغطاء وحركه
2	حرك الغطاء

5.3.2

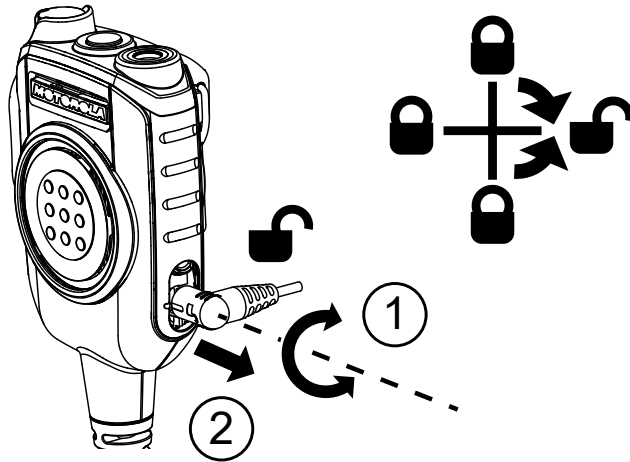
إدخال مقبس الصوت وإزالته

دواعي الاستخدام:

الشكل 5: توصيل مقبس الصوت



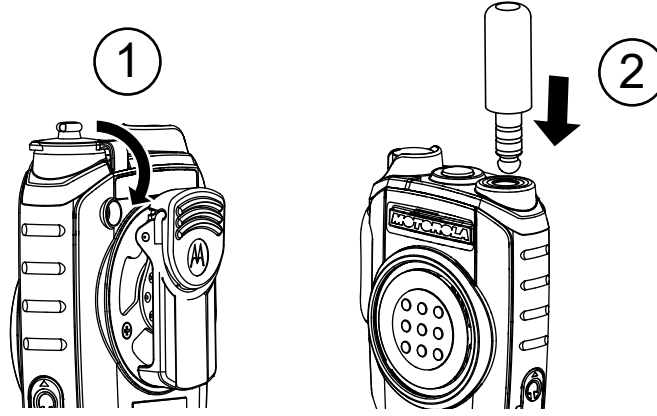
الشكل 6: فصل مقبس الصوت



5.4 مقبس Nexus

- يوفر هذا القسم معلومات عن أفضل الممارسات الخاصة بمقبس Nexus
- قم بتنظيف أي مواد غريبة أو إزالتها من المقبس قبل استخدامه.
 - قم دائماً بتغطية مقبس Nexus بغطاء الحماية من الأتربة عند عدم توصيله.

الشكل 7: توصيل مقبس Nexus



ملاحظة: يوصى بإيقاف تشغيل الراديو قبل توصيل ملحقات Nexus أو فصلها.

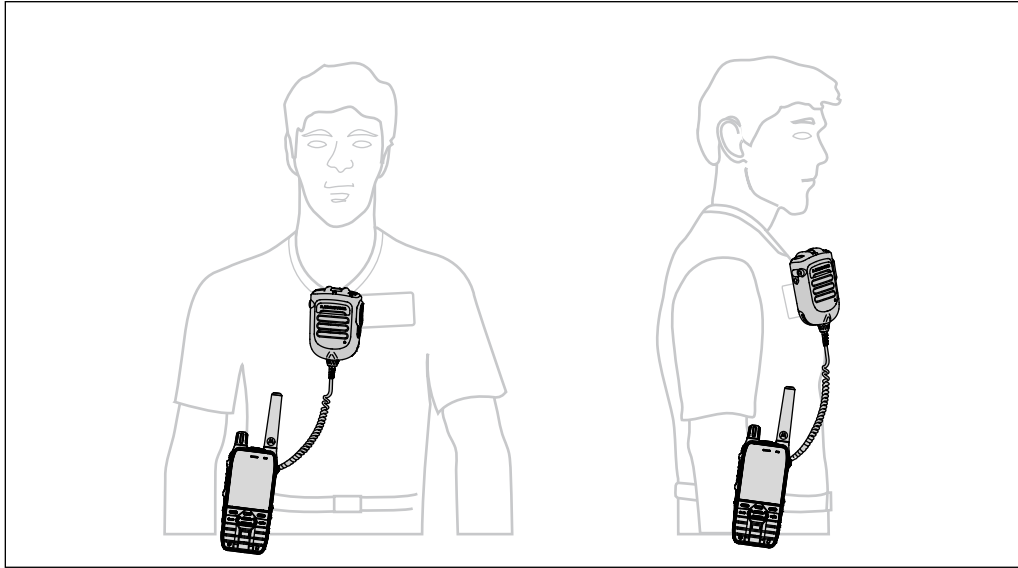


5.5

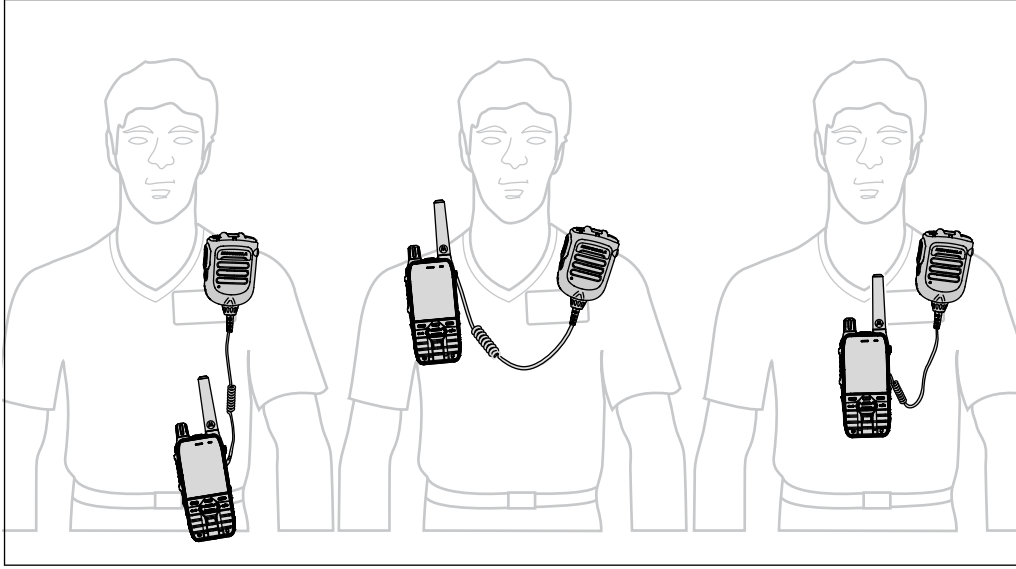
مواضع الارتداء الموصى بها

يصف هذا القسم مواضع الارتداء الموصى بها لميكروفون مكبر الصوت البعيد (RSM).

الشكل 8: ميكروفون مكبر الصوت البعيد المزود بكابل طويل



الشكل 9: ميكروفون مكبر الصوت البعيد المزود بكابل قصير



ملاحظة: إن موضع ارتداء الراديو الموصى به على طية صدر السترة مخصص للراديو خفيف الوزن فقط.

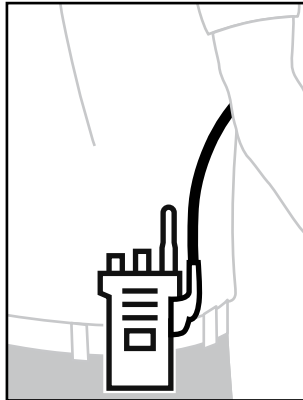


5.6

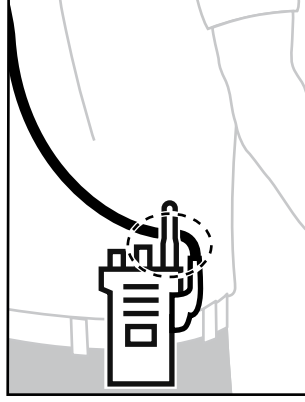
إدارة الكابلات

يصف هذا القسم موضع الكابل الموصى به.

الشكل 10: موصى به



الشكل 11: غير موصى به

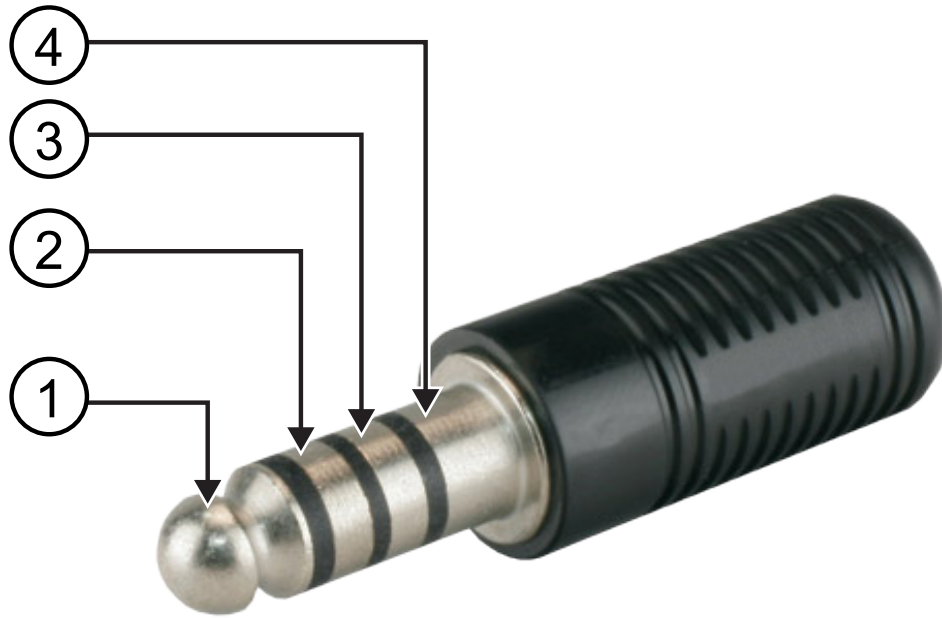


لضمان المدى الأمثل والتجربة المثلى للمستخدم، يُوصى بتجنب تداخل كابل الملحقات مع هوائي الراديو.

واجهة NS750 Nexus لميكروفون مكبر الصوت البعيد

يسرد هذا القسم وصف واجهة Nexus لميكروفون مكبر الصوت البعيد عند توصيلها بأنواع مختلفة من ملحقات Nexus الصوتية الثانوية.

الشكل 12: مقبس Nexus



الجدول 6: مقبس Nexus

وصف مقبس Nexus	التعليق التوضيحي
الطرف (السن رقم 1)	1
الحلقة رقم 1 (السن رقم 2)	2
الحلقة رقم 2 (السن رقم 3)	3
الجلبة (السن رقم 4)	4

الجدول 7: واجهة NS750 Nexus لميكروفون مكبر الصوت البعيد

المَعْلَمَة	القيمة
ميكروفون إلكتروني + معالج DSP	
المسار	المسار رقم 1
معاوقة الميكروفون	مفتوحة
جهد اكتشاف الميكروفون (من السن رقم 2 إلى السن رقم 1 في مقابل مرجع الجهد (1,1 فولت))	أعلى من مرجع الجهد عند السن رقم 2
معلومات التوصيل	تعيين التوصيل
السن رقم 1	أرضي
السن رقم 2	الطرف الموجب للميكروفون
السن رقم 3	غير متصل
السن رقم 4	مكبر الصوت أحادي النهاية
كسب الميكروفون في ميكروفون مكبر الصوت البعيد	+6 ديسيبل
حساسية مكوّن الميكروفون المقترحة	ميكروفون إلكتروني مع معالج DSP
معاوقة مكبر الصوت	يحددها المورد
السلامة الصوتية الموصى بها من قبل Motorola Solutions	≈ 118 ديسيبل لمستوى ضغط الصوت (الأقصى)
ميكروفون إلكتروني	
المسار	المسار رقم 2
معاوقة الميكروفون	≈ 1 كيلو أوم
جهد اكتشاف الميكروفون (من السن رقم 2 إلى السن رقم 1 في مقابل مرجع الجهد (1,1 فولت))	أقل من مرجع الجهد عند السن رقم 2
معلومات التوصيل	تعيين التوصيل
السن رقم 1	أرضي
السن رقم 2	الطرف الموجب للميكروفون
السن رقم 3	الطرف الموجب للسماعة
السن رقم 4	الطرف السالب للسماعة
كسب الميكروفون في ميكروفون مكبر الصوت البعيد	+22 ديسيبل
حساسية مكوّن الميكروفون المقترحة	ميكروفون إلكتروني (≈ -60 ديسيبل بالنسبة إلى 1 فولت/باسكال)
معاوقة مكبر الصوت	يحددها المورد
السلامة الصوتية الموصى بها من قبل Motorola Solutions	≈ 118 ديسيبل لمستوى ضغط الصوت (الأقصى)
التوصيل العظمي/مقياس التسارع	
المسار	المسار رقم 3
معاوقة الميكروفون	≈ 1 كيلو أوم

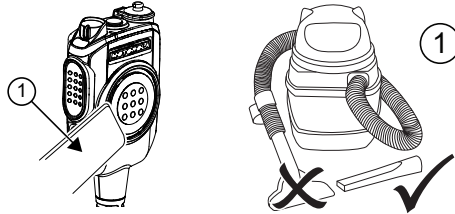
المعلّمة	القيمة
جهد اكتشاف الميكروفون (من السن رقم 3 إلى السن رقم 1 في مقابل مرجع الجهد (1,1 فولت))	أقل من مرجع الجهد عند السن رقم 3
معلومات التوصيل	تعيين التوصيل
السن رقم 1	أرضي
السن رقم 2	غير متصل
السن رقم 3	ميكروفون التوصيل العظمي
السن رقم 4	مكبر الصوت أحادي النهاية
كسب الميكروفون في ميكروفون مكبر الصوت البعيد	+29 ديسيبل
حساسية مكّون الميكروفون المقترحة	ميكروفون المعاوقة الحساس للاهتزاز
معاوقة مكبر الصوت	يحددها المورد
السلامة الصوتية الموصى بها من قبل Motorola Solutions	~ >118 ديسيبل لمستوى ضغط الصوت (الأقصى)

إجراءات التنظيف

يوفر هذا القسم معلومات عن إجراءات تنظيف ميكروفون مكبر الصوت البعيد (RSM)

خطوة اختيارية للبيئات ذات نسبة المخلفات المرتفعة

نظف السطح الأمامي لميكروفون مكبر الصوت البعيد (RSM) بمكنسة كهربائية قبل التنظيف العام.



تحذير: تؤدي الإجراءات الآتية إلى إبطال الضمان:

- استخداممكنسة كهربائية تفوق قدرتها 4 أحصنة/3 كيلوات.
- استخدام أي فوهة غير فوهة الشقوق.
- استخدام أي طريقة تنظيف أخرى.



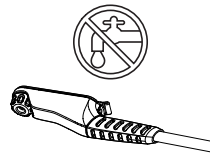
7.1

إجراء التنظيف

دواعي الاستخدام:

تحذير:

- تأكد من ألا يبتل الموصل.
- لا تسكب الماء داخل مقبس Nexus أو مقبس الصوت.
- قم بتغطية مقبس Nexus أو مقبس الصوت بغطاء الحماية من الأتربة عند عدم توصيله بسماعة أذن.
- في حال دخول الماء إلى مقبس Nexus أو مقبس الصوت، تخلص من الماء عن طريق هزّ ميكروفون مكبر الصوت البعيد (RSM).



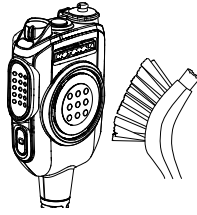


تحذير: استخدم صابون غسيل الصحون والماء فقط. قد تؤدي محاليل التنظيف الأخرى إلى تلف ميبيت ميكروفون مكبر الصوت البعيد بشكل دائم وإبطال الضمان. ولا تتعده في الماء لأكثر من 30 دقيقة.



الإجراء:

- 1 اخلط مقدار ملعقة صغيرة من منظف لغسيل الصحون مع جالون ماء (محلول بنسبة 0,5%).
- 2 ضع كمية قليلة من المحلول باستخدام فرشاة صلبة من النايلون ذات شعيرات خشنة قصيرة.



تحذير: لا تسمح للشعيرات بالدخول إلى مناطق منافذ مكبر الصوت أو الميكروفون، فقد يؤدي ذلك إلى حدوث تلف داخلي وإبطال الضمان.



- 3 اشطف ميكروفون مكبر الصوت البعيد بالكامل باستخدام الماء البارد وجففه جيدًا بقطعة قماش ناعمة وخالية من النسالة.
- 4 أمسك ميكروفون مكبر الصوت البعيد مع توجيه السطح الأمامي إلى الأسفل، وهزّه برفق بضع مرات للتخلص من الماء الذي قد يكون موجودًا أسفل فتحات مكبر الصوت أو منافذ الميكروفون.

7.2

إجراءات التطهير والتعقيم

توفر Motorola Solutions إرشادات تنظيف وتطهير موصى بها لأجهزة ميكروفون مكبر الصوت البعيد، استنادًا إلى الفهم الحالي والأفضل لنظافة أجهزة ميكروفون مكبر الصوت البعيد.

بحسب السلطات الصحية العالمية، تؤدي إزالة الجراثيم والأوساخ والتلوثات عن الأسطح إلى تقليل خطر انتشار العدوى. يمكنك استخدام المطهرات أو المعقمات التالية لتطهير جهاز ميكروفون مكبر الصوت البعيد:

- مناديل التعقيم المبللة Dewipe

الخدمة والضمان

تُقدّم Motorola Solutions ضماناً قياسياً مدته عام واحد. اتصل بوكيل Motorola Solutions الذي تتعامل معه للحصول على معلومات تفصيلية عن الضمان القياسي.

لمزيد من المعلومات

اتصل بوكيل Motorola Solutions المعتمد أو تفضل بزيارتنا على الموقع www.motorolasolutions.com.