

Mag One Single-Unit Charger CZ089C601 User Guide

MAY 2024

© 2024 Motorola Solutions, Inc. All Rights Reserved.



MN010561A01-AA

Safety and Legal

This section provides the safety and legal information for this product.

Important Safety Instructions

This document contains important safety and operating instructions. Please read these instructions carefully and save them for future reference.



CAUTION:

1. To reduce the risk of damage to the power cords, pull the plug rather than the cord when disconnecting from the AC outlet or the charger.
2. An extension cord should not be used unless absolutely necessary. Use of an improper extension cord could result in risk of fire and electric shock. If an extension cord must be used, make sure that the cord size is 18 AWG for lengths of up to 6.5 feet (2.0 m), and 16 AWG for lengths up to 9.8 feet (3.0 m).
3. To reduce the risk of fire, electric shock, or injury, do not operate the charger if it has been broken or damaged in any way. Take it to a qualified Motorola Solutions service representative.
4. Do not disassemble the charger. Disassembly of the charger may result in risk of electric shock or fire.
5. To reduce the risk of electric shock, unplug the charger power cord from the AC outlet before attempting any maintenance or cleaning.
6. To reduce the risk of injury, charge only the rechargeable Motorola Solutions Authorized Batteries. Other batteries may explode, causing personal injury and damage.
7. Use of accessories not recommended by Motorola Solutions may result in risk of fire, electric shock, or injury.
8. Changes or modifications made to this device, not expressly approved by Motorola Solutions, could void the authority of the user to operate this equipment.

Operational Safety Guidelines

- This equipment is not suitable for outdoor use. Use only in dry locations and conditions.
- The maximum ambient temperature around the charger must not exceed 40 °C (104 °F).
- To ensure optimized charging performance, turn off the radio while charging unless the device is transmitting data wirelessly on Wi-Fi or Bluetooth.
- Connect the charger only to appropriate power supplies and power cords as listed in [Motorola Solutions Authorized Battery and Power Adapters on page 11](#).
- The AC outlet to which the power supply is connected must be nearby and easily accessible.
- Ensure that the power supply cord connected to the charger is not easily stepped on, tripped over, or subjected to water, damage, or stress.
- Connect the power supply only to an appropriately fused and wired AC outlet with the correct voltage, as specified on the product.
- Disconnect from the line voltage by removing the power supply from the AC outlet.

- Connect not more than the appropriate number of charger power supplies to a 15 A or 20 A circuit, as limited by any certified power strip being used.



NOTE: Daisy-chaining power strips are not recommended. Circuit loading must be limited to less than 80% of the circuit rating.

Intellectual Property and Regulatory Notices

Copyrights

The Motorola Solutions products described in this document may include copyrighted Motorola Solutions computer programs. Laws in the United States and other countries preserve for Motorola Solutions certain exclusive rights for copyrighted computer programs. Accordingly, any copyrighted Motorola Solutions computer programs contained in the Motorola Solutions products described in this document may not be copied or reproduced in any manner without the express written permission of Motorola Solutions.

No part of this document may be reproduced, transmitted, stored in a retrieval system, or translated into any language or computer language, in any form or by any means, without the prior written permission of Motorola Solutions, Inc.

Trademarks

MOTOROLA, MOTO, MOTOROLA SOLUTIONS, and the Stylized M Logo are trademarks or registered trademarks of Motorola Trademark Holdings, LLC and are used under license. All other trademarks are the property of their respective owners.

License Rights

The purchase of Motorola Solutions products shall not be deemed to grant either directly or by implication, estoppel or otherwise, any license under the copyrights, patents or patent applications of Motorola Solutions, except for the normal nonexclusive, royalty-free license to use that arises by operation of law in the sale of a product.

Open Source Content

This product may contain Open Source software used under license. Refer to the product installation media for full Open Source Legal Notices and Attribution content.

European Union (EU) and United Kingdom (UK) Waste of Electrical and Electronic Equipment (WEEE) Directive



■ The European Union's WEEE directive and the UK's WEEE regulation require that products sold into EU countries and the UK must have the crossed-out wheeled bin label on the product (or the package in some cases). As defined by the WEEE directive, this crossed-out wheeled bin label means that customers and end users in EU and UK countries should not dispose of electronic and electrical equipment or accessories in household waste.

Customers or end users in EU and UK countries should contact their local equipment supplier representative or service center for information about the waste collection system in their country.

Disclaimer

Please note that certain features, facilities, and capabilities described in this document may not be applicable to or licensed for use on a specific system, or may be dependent upon the characteristics of a specific mobile subscriber unit or configuration of certain parameters. Please refer to your Motorola Solutions contact for further information.

© 2024 Motorola Solutions, Inc. All Rights Reserved

Certification Marks



Warranty

The Charger Kit is covered under the Motorola Solutions standard limited warranty. Refer to your Motorola Solutions dealer or point-of-purchase for detailed information.

Contact Us

The Centralized Managed Support Operations (CMSO) is the primary contact for technical support included in your organization's service agreement with Motorola Solutions. To enable faster response time to customer issues, Motorola Solutions provides support from multiple countries around the world.

Service agreement customers should be sure to call the CMSO in all situations listed under Customer Responsibilities in their agreement, such as:

- To confirm troubleshooting results and analysis before taking action

Your organization received support phone numbers and other contact information appropriate for your geographic region and service agreement. Use that contact information for the most efficient response. However, if needed, you can also find general support contact information on the Motorola Solutions website, by following these steps:

1. Enter motorolasolutions.com in your browser.
2. Ensure that your organization's country or region is displayed on the page. Clicking or tapping the name of the region provides a way to change it.
3. Select "Support" on the motorolasolutions.com page.

Comments

Send questions and comments regarding user documentation to documentation@motorolasolutions.com.

Provide the following information when reporting a documentation error:

- The document title and part number
- The page number or title of the section with the error
- A description of the error

Motorola Solutions offers various courses designed to assist in learning about the system. For information, go to <https://learning.motorolasolutions.com> to view the current course offerings and technology paths.

Icon Conventions

The documentation set is designed to give the reader more visual clues. The following graphic icons are used throughout the documentation set.



DANGER: The signal word DANGER with the associated safety icon implies information that, if disregarded, will result in death or serious injury.



WARNING: The signal word WARNING with the associated safety icon implies information that, if disregarded, could result in death or serious injury, or serious product damage.



CAUTION: The signal word CAUTION with the associated safety icon implies information that, if disregarded, may result in minor or moderate injury, or serious product damage.

CAUTION: The signal word CAUTION may be used without the safety icon to state potential damage or injury that is not related to the product.




IMPORTANT: IMPORTANT statements contain information that is crucial to the discussion at hand, but is not a CAUTION or WARNING. There is no warning level associated with the IMPORTANT statement.



NOTE: NOTICE contains information more important than the surrounding text, such as exceptions or preconditions. They also refer the reader elsewhere for additional information, remind the reader how to complete an action (when it is not part of the current procedure, for instance), or tell the reader where something is on the screen. There is no warning level associated with a notice.

Style Conventions

The following style conventions are used:

Convention	Description
Bold	This typeface is used for names of, for instance, windows, buttons, and labels when these names appear on the screen (example: the Alarms Browser window). When it is clear that we are referring to, for instance, a button, the name is used alone (example: Click OK).
Monospacing font in bold	This typeface is used for words to be typed in exactly as they are shown in the text (example: In the Address field, type <code>http://ucs01.ucs:9080/</code>).
Monospacing font	This typeface is used for messages, prompts, and other text displayed on the computer screen (example: A new trap destination has been added).
<i><Monospacing font in bold Italic></i>	This typeface is used with angle brackets as placeholders for a specific member of the group that the words represent (example: <i><router number></i>).  NOTE: In sequences to be typed in, the angle brackets are omitted to avoid confusion whether to include the angle brackets in the text to be typed.
CAPITAL LETTERS	This typeface is used for keyboard keys (example: Press Y, and then press ENTER).
<i>Italic</i>	This typeface is used for citations. A citation usually is the name of a document or a phrase from another document (example: <i>Dimetra IP System Overview</i>).
→	An → (arrow pointing right) is used for indicating the menu or tab structure in instructions on how to select a certain menu item (example: File → Save) or a certain subtab.

Contents

Safety and Legal	2
Contact Us	5
Icon Conventions	6
Style Conventions	7
Chapter 1: Charger Overview	9
1.1 Authorized Accessories.....	10
1.1.1 Motorola Solutions Authorized Battery and Power Adapters.....	11
Chapter 2: Operating Instructions	12
2.1 Charging Procedure.....	12
2.2 Charger LED Indication.....	13

Chapter 1

Charger Overview

Figure 1: Mag One Single-Unit Charger CZ089C601

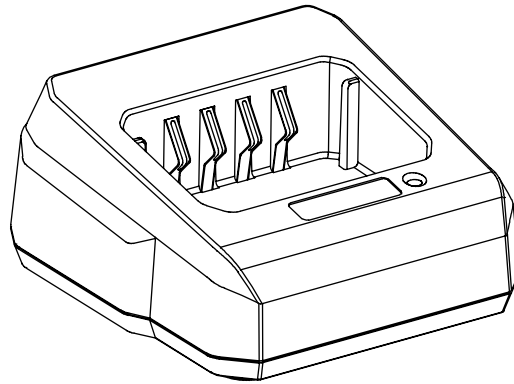


Figure 2: Front and Rear View

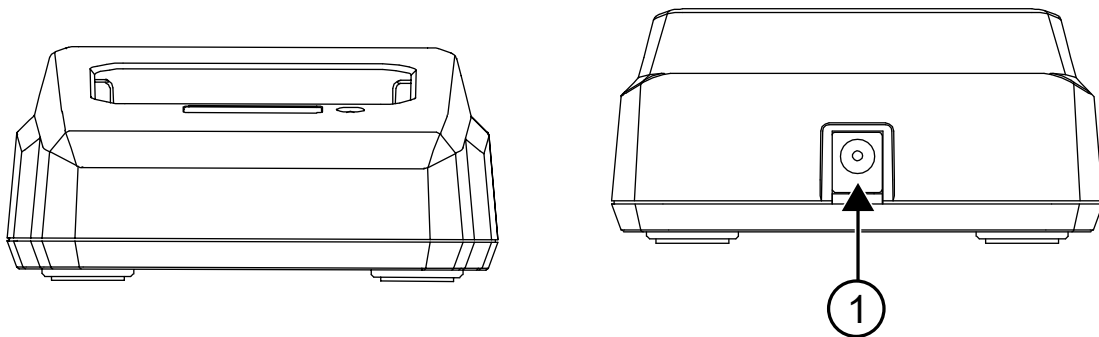


Figure 3: Top and Bottom View

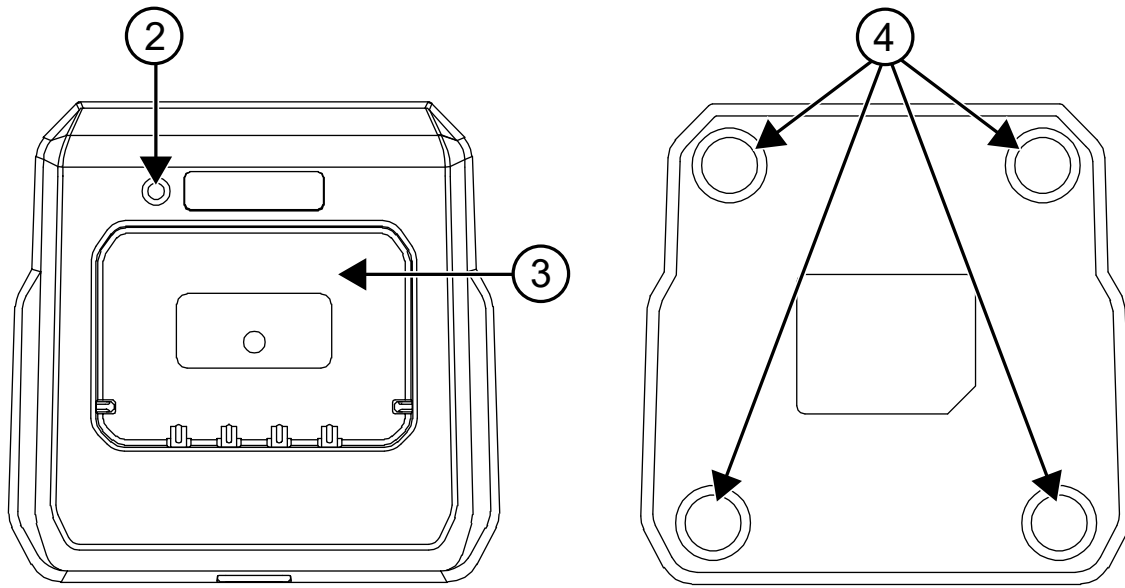


Table 1: Charger Overview

Item	Description
1	Power Receptacle
2	LED Indicator
3	Charging Pocket
4	Antislip Pads

Table 2: Charger Specification

Item	Description
Input Range	DC 11–15 V 0.5 A
Saturation Voltage	8.35 V ± 0.084 V
Trickle Charge Current	100 mA
Constant Current Charging Current	450–500 mA
Function Security	Protection at 45 °C ± 2 °C Protection at 0 °C ± 3 °C Output short-circuit protection

1.1

Authorized Accessories

This section list out authorized accessories to be used with your charger.

1.1.1

Motorola Solutions Authorized Battery and Power Adapters

Table 3: Motorola Solutions Authorized Battery



Part Number	Description
PMNN4844_	Battery Lithium Ion IP54 1800 mAh  NOTE: Applicable for M31i and M34i.
PMNN4845_	Battery Lithium Ion 2200 mAh  NOTE: Applicable for M51i, M52i, M66i, and M69i.

Table 4: Motorola Solutions Authorized Power Adapters

Part Number	Description
PMPN4647_	Power Supply Adaptor Kit, China
PMPN4678_	Power Supply Adaptor Kit, Korea

Chapter 2

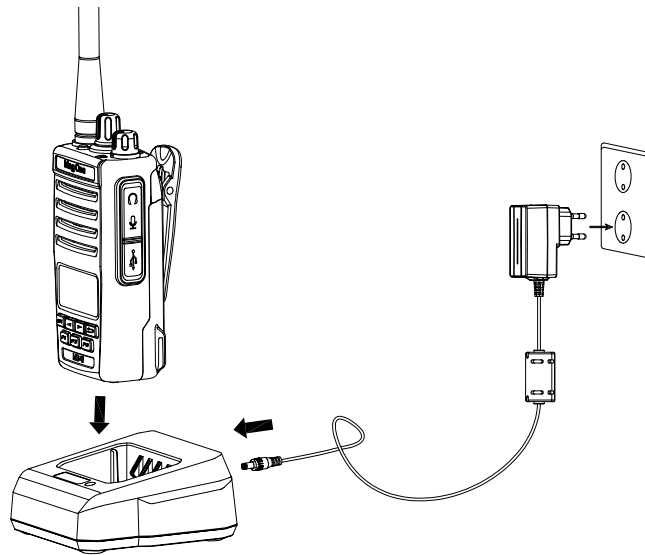
Operating Instructions

2.1

Charging Procedure

You can charge a stand-alone battery or a battery attached to a radio.

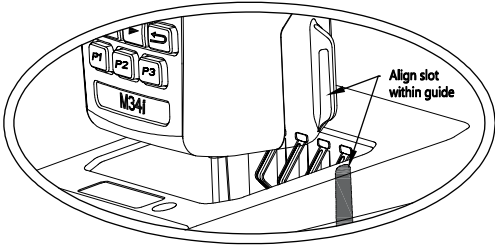
Figure 4: Mag One Single-Unit Charger CZ089C601 Charging Diagram



Procedure:

1. Plug the power adapter into an appropriate AC outlet.
2. Insert the output terminal of the power adapter plug into the power receptacle behind the charger. If successful, the LED illuminates amber for 0.5 seconds.
3. Insert a stand-alone battery or a battery attached to a radio into the charger. Align the slot on the battery with the guide on the charger for optimal placement.

Figure 5: Aligning Battery Slot with Charger Guide



The LED indicator illuminates steady red indicating charging is in progress.

Result: The LED indicator illuminates steady green on charging completion.






CAUTION: The ambient temperature when the battery is charging must be between 5°C and 40°C. Do not place the battery in overheated environments.

NOTE: A fully discharged battery requires about five hours of charging to be fully charged.

2.2 Charger LED Indication

The following table describes the LED indications when the charger is in use.

Table 5: Charging Indication

LED Indication	Charger Status
 LED illuminates amber for 0.5 seconds and turns off	Power is connected.
 LED off	No battery is inserted.
 LED illuminates steady red	Battery charging is in progress.
 LED illuminates steady green	The battery is fully charged.
 LED blinking red	<ul style="list-style-type: none">Trickle charging.Fault:

LED Indication**Charger Status**

- Overtemperature.
 - Battery short circuit.
 - Overdischarge state.
-

Mag One 单座充电器 CZ089C601 用户指南

2024 年 5 月

© 2024 Motorola Solutions, Inc. All Rights Reserved.



MN010561A01-AA

安全和法律

本节提供本产品的安全和法律信息。

重要安全说明

本文档包含重要的安全和操作说明。请仔细阅读这些说明，并妥善保管以供日后参考。



注意:

1. 为了降低损坏电源线的风险，从交流插座或充电器中拔下电源线时，请捏住插头拔出，而不是拉电源线。
2. 除非绝对必要，否则请勿使用电源延长线。使用不合适的延长线可能会引发火灾和导致触电。如果必须使用延长线，请确保延长线的规格为 18 AWG（最长不得超过 6.5 英尺（2.0 米）的距离）或 16 AWG（最长不得超过 9.8 英尺（3.0 米）的距离）。
3. 为了减少火灾、触电或人员受伤的风险，请勿使用有任何破损或损坏的充电器。应将其交给符合资格的 Motorola Solutions 专业服务代表处理。
4. 请勿拆开充电器。擅自拆开该充电器可能导致触电或引发火灾。
5. 为了减少触电的危险，在对充电器进行维护或清洁之前，请将充电器电源线从交流插座上拔下。
6. 为了降低受伤的风险，请仅为 Motorola Solutions 认可的可充电电池充电。其他类型的电池可能会发生爆炸，导致人员受伤和财产损失。
7. 使用非 Motorola Solutions 推荐的附件可能会引发火灾、导致触电或人员受伤。
8. 未经 Motorola Solutions 明确批准而擅自对本设备作出任何更改或修改，可能导致用户无权操作本设备。

安全操作指南

- 本设备不适合在室外使用。请仅在干燥的场所和环境中使用。
- 充电器周围的最高环境温度不得超过 40°C (104°F)。
- 为确保优化充电性能，充电时请关闭对讲机，除非设备正在通过 Wi-Fi 或蓝牙进行无线数据传输。
- 只能将充电器连接到 [Motorola Solutions 认可的电池和电源适配器页号 10](#) 中列出的适用电源和电源线。
- 电源连接的交流插座务必要位于附近，并且插拔方便。
- 确保充电器连接的电源线不会轻易发生踩踏、绊倒、浸水、损坏或挤压等意外。
- 电源只能与配有保险丝且电压匹配（产品上指定的电压）的有线交流电源插座连接。
- 通过从交流插座中拔下电源插头来断开线路电压。
- 受所使用的经认证电源板的限制，请将不超过适当数量的充电器电源连接至 15 A 或 20 A 电路。



注释: 不推荐使用菊花链电源板。电路负载必须限制为小于电路额定值的 80%。

知识产权和监管声明

版权

本文档中介绍的 Motorola Solutions 产品可能包含受版权保护的 Motorola Solutions 计算机程序。美国和其他国家/地区的法律为 Motorola Solutions 保留受版权保护的计算机程序的某些专有权利。因此，在未经 Motorola

Solutions 明确书面许可的情况下，不得以任何方式对本文档中介绍的 Motorola Solutions 产品所包含的任何受版权保护的 Motorola Solutions 计算机程序进行拷贝或复制。

在未经 Motorola Solutions, Inc. 事先书面许可的情况下，不得以任何形式或通过任何方式来复制、传播、在检索系统中存储本文档的任何部分，或将其翻译为任何语言或计算机语言。

商标

MOTOROLA, MOTO, MOTOROLA SOLUTIONS, and the Stylized M Logo are trademarks or registered trademarks of Motorola Trademark Holdings, LLC and are used under license. All other trademarks are the property of their respective owners.

许可权利

购买 Motorola Solutions 的产品不应视为直接或通过暗示、禁止反言或其他方式授予 Motorola Solutions 的版权、专利或专利申请的任何许可，但产品销售过程中因法律实施所引起的普通非专有免版税许可除外。

开源内容

本产品可能包含经许可使用的开源软件。请参阅产品安装介质，了解完整的“开源法律声明和归属”内容。

欧盟 (EU) 和英国 (UK) 废弃电子电气设备 (WEEE) 指令



欧盟的 WEEE 指令和英国的 WEEE 法规要求销售到欧盟国家/地区和英国的产品必须在产品上（有时是在包装上）张贴带交叉号的垃圾箱标签。根据 WEEE 指令的定义，此带交叉号的带轮垃圾箱标签表示欧盟国家/地区和英国的客户和最终用户不得将此电子电气设备或附件作为生活垃圾处置。

欧盟国家/地区和英国的客户或最终用户应联系当地的设备供应商代表或服务中心，以了解有关所在国家/地区废物收集系统的相关信息。

免责声明

请注意，本文档中介绍的某些特性、设备和功能可能不适用于或未授权给特定系统使用，或者取决于特定移动用户机的特性或特定参数的配置。请联系 Motorola Solutions 联系人获取详细信息。

© 2024 Motorola Solutions, Inc. All Rights Reserved

认证标记



保修

充电器套件享有 Motorola Solutions 标准有限保修。有关详细信息，请咨询您的 Motorola Solutions 经销商或购买点。

联系我们

集中化管理支持运营部门 (CMSO) 是贵组织与 Motorola Solutions 签订的服务协议中包含的提供技术支持的主要联系方。为了更快地响应客户问题，Motorola Solutions 在全球多个国家/地区中提供支持。

服务协议客户应确保在协议的“客户的责任”部分中列出的所有情况下致电 CMSO，例如：

- 在采取措施之前确认故障排除结果和分析

贵组织已收到适用于您所在地理区域和服务协议的支持电话号码和其他联系信息。使用该等联系信息可获得最高效的响应。但是在需要时，您也可以通过执行以下步骤在 Motorola Solutions 网站上查找一般支持联系信息：

1. 在浏览器中输入 motorolasolutions.com。
2. 确保页面上显示有贵组织所在的国家/地区。单击或轻触地区的名称即可对其进行更改。
3. 选择 motorolasolutions.com 页面上的“Support”。

备注

请将有关用户文档的问题和意见发送到 documentation@motorolasolutions.com。

报告文档错误时请提供以下信息：

- 文档标题和部件号
- 出错章节的页码或标题
- 错误描述

Motorola Solutions 提供各种旨在帮助学习系统相关内容的课程。要获取相关信息，请转至 <https://learning.motorolasolutions.com>，查看当前课程产品和技术路径。

图标约定

本文档集旨在为读者提供更多的直观提示。整个文档集统一使用了以下图标。



危险: 提示词“危险”及关联的安全图标表示，如果不注意其中的信息，则可能导致死亡或严重的人员受伤。



警告: 提示词“警告”及关联的安全图标表示，如果不注意其中的信息，则可能导致死亡或严重的人员受伤，也可能造成严重的产品损坏。



注意: 提示词“小心”及关联的安全图标表示，如果不注意其中的信息，则可能导致轻微或中等程度的人员受伤，也可能造成严重的产品损坏。

注意: 提示词“小心”也可能单独出现，而没有关联的安全图标，这表示可能发生与本产品无关的产品损坏或人员受伤。



重要说明: “重要”说明所包含的信息对于当前主题非常重要，但它不是“小心”或“警告”级的信息。“重要”说明没有相应的警告级别。



注释: “注意”含有比周围文字更重要的信息，如例外情况或注意事项。有时还会为读者提供一些其他位置的补充参考信息，提醒读者如何完成操作（例如，当操作不属于当前过程的一部分时），或者告诉读者某些项目在屏幕中的位置。“注意”没有相应的警告级别。

样式约定

使用下列样式约定：

约定	说明
粗体	此类字体用于表示在屏幕上显示的窗口、按钮和标签等的名称（例如： 警报浏览器窗口 ）。当所指的名称非常明确时，例如某一按钮的名称，则可单独使用该名称（例如： 单击确定 ）。
Monospacing font in bold	此类字体用于表示要按文本中所示样式一模一样输入的字词（例如：在地址字段中，键入 <code>http://ucs01.ucs:9080/</code> ）。
等宽字体	此类字体用于表示在计算机屏幕上显示的消息、提示及其他文本（例如：添加了新的陷阱目标）。
<以粗斜体显示的等宽字体>	此类字体与尖括号搭配使用，用作字词所表示的特定组成员的占位符（例如： <路由器编号> ）。  注释： 在要键入的序列中去掉尖括号，以避免用户疑惑是否要在键入的文本中包括尖括号。
大写字母	此类字体用于表示键盘上的按键（例如：按 Y 键，然后按 ENTER 键）。
斜体	此类字体用于表示引用。引用内容通常是文档的名称或另一个文档中的短语（例如： <i>Dimetra IP 系统概述</i> ）。
→	在如何选择特定菜单项的说明中，使用 →（向右箭头）来指示菜单或选项卡结构（例如： 文件 → 保存 ）或某个子选项卡。

目录

安全和法律.....	2
联系我们.....	4
图标约定.....	5
样式约定.....	6
章节 1：充电器概述.....	8
1.1 认可的附件.....	9
1.1.1 Motorola Solutions 认可的电池和电源适配器.....	10
章节 2：操作说明.....	11
2.1 充电过程.....	11
2.2 充电器 LED 指示灯指示.....	12

章节 1

充电器概述

图 1：Mag One 单座充电器 CZ089C601

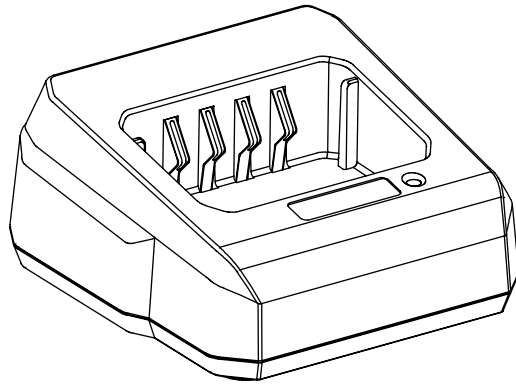


图 2：前视图和后视图

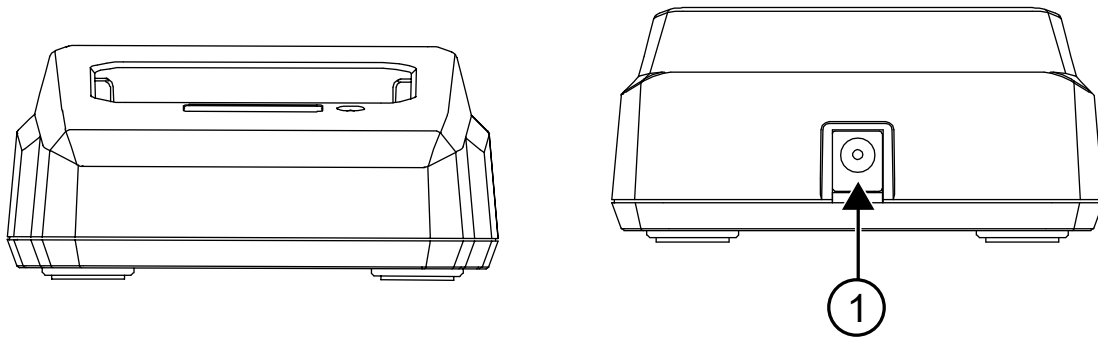


图 3：俯视图和仰视图

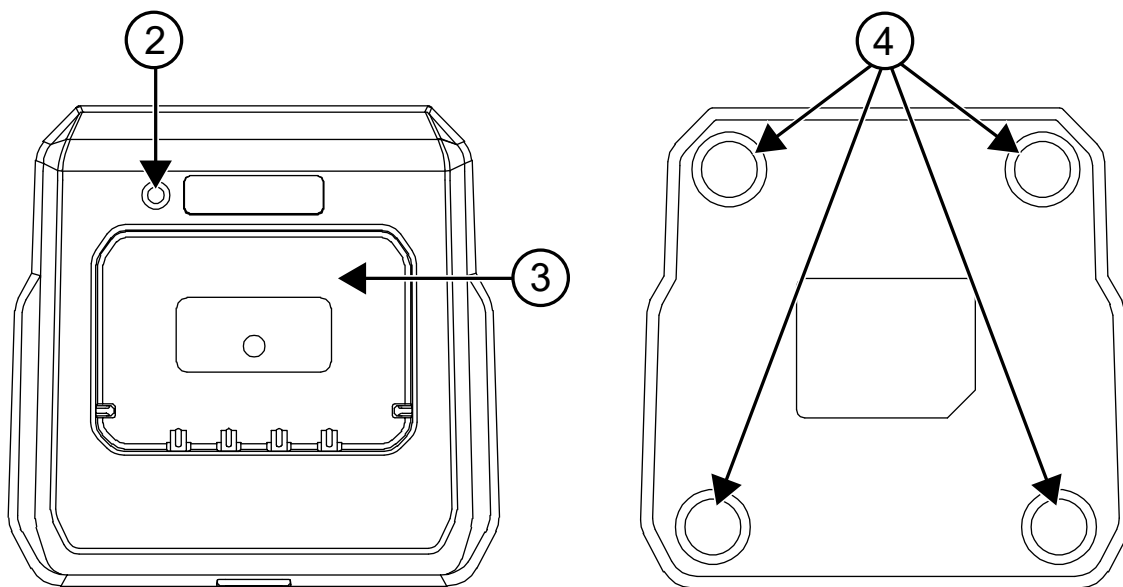


表 1：充电器概述

项目	说明
1	电源插孔
2	LED 指示灯
3	充电座
4	防滑垫

表 2：充电器规格

项目	说明
输入范围	DC 11–15 V 0.5 A
饱和电压	8.35 V \pm 0.084 V
涓流充电电流	100 mA
恒流充电电流	450–500 mA
功能安全	保护温度为 45 °C \pm 2 °C 保护温度为 0 °C \pm 3 °C 输出短路保护

1.1 认可的附件

本节列出可与充电器一起使用的认可附件。

1.1.1

Motorola Solutions 认可的电池和电源适配器

表 3 : Motorola Solutions 认可的电池

部件号	说明
PMNN4844_	锂离子电池 IP54 1800 mAh  注释: 适用于 M31i 和 M34i。
PMNN4845_	锂离子电池 2200 mAh  注释: 适用于 M51i、M52i、M66i 和 M69i。

表 4 : Motorola Solutions 认可的电源适配器

部件号	说明
PMPN4647_	电源适配器套件, 中国
PMPN4678_	电源适配器套件, 韩国

章节 2

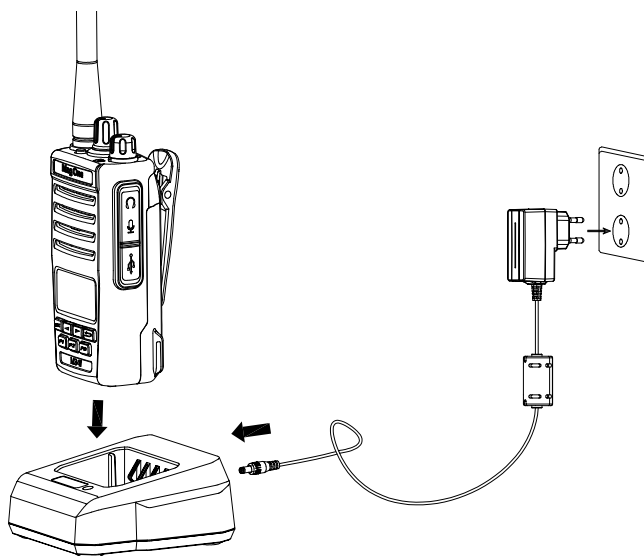
操作说明

2.1

充电过程

您可以为独立电池充电，也可以为安装在对讲机中的电池充电。

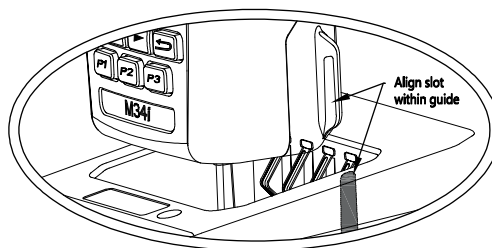
图 4：Mag One 单座充电器 CZ089C601 充电示意图



步骤：

1. 将电源适配器插入合适的交流电源插座中。
2. 将电源适配器插头的输出端插入充电器背面的电源插座。成功后，LED 指示灯呈琥珀色亮起半秒钟。
3. 将独立电池或安装在对讲机中的电池插入充电器中。使电池的槽口与充电器上的导轨对齐，使得电池放置在最佳位置。

图 5：使电池槽口与充电器导轨对齐



LED 指示灯呈红色长亮，表示正在充电。

结果：充电完成时，LED 指示灯呈绿色长亮。



注意：电池充电时的环境温度应在 5°C 至 40°C 之间。请勿将电池置于温度过高的环境中。



注释：为已完全放电的电池充满电大约需要 5 小时的时间。

2.2

充电器 LED 指示灯指示

下表介绍充电器在使用时的 LED 指示灯指示的状态。

表 5：充电指示

LED 指示	充电器状态
 LED 指示灯呈琥珀色亮起半秒钟，然后熄灭	电源已连接。
 LED 指示灯熄灭	未插入电池。
 LED 指示灯呈红色长亮	电池正在充电。
 LED 指示灯呈绿色长亮	电池已充满电。
 LED 指示灯呈红色闪烁	<ul style="list-style-type: none">● 正在进行涓流充电。● 故障：<ul style="list-style-type: none">○ 温度过高。○ 电池短路。○ 过度放电状态。

Mag One 싱글 유닛 충전기 CZ089C601 사용 설명서

2024년 5월

© 2024 Motorola Solutions, Inc. All Rights Reserved.



MN010561A01-AA

안전 및 법률

이 섹션에서는 이 제품의 안전 및 법률 정보를 제공합니다.

중요 안전 지침


이 문서는 중요한 안전 및 작동 지침을 수록하고 있습니다. 지침을 주의 깊게 읽으신 후 향후 참고 자료로 활용 할 수 있도록 보관하여 주십시오.

주의:

1. 전원 코드에 대한 손상의 위험을 줄이기 위해 AC 콘센트 또는 충전기에서 분리할 때 코드 대신 플러그를 잡고 당기십시오.
2. 연장 코드는 꼭 필요하지 않은 이상 사용하지는 안 됩니다. 부적절한 연장 코드를 사용할 경우 화재나 감전의 위험이 있습니다. 연장 코드의 사용이 불가피하다면 최장 2.0m(6.5ft) 길이의 18AWG 규격 코드 및 최장 3.0m(9.8ft) 길이의 16AWG 코드를 사용하십시오.
3. 화재, 감전 또는 부상의 위험을 줄이기 위해, 충전기가 고장 났거나 손상된 경우 사용하지 마십시오. 공인 Motorola Solutions의 서비스 담당자에게 가져가십시오.
4. 충전기를 분해하지 마십시오. 충전기를 분해하는 경우 감전 또는 화재의 위험이 있습니다.
5. 감전 위험을 줄이기 위해 유지 보수 또는 청소 시 사전에 AC 콘센트에서 충전기 전원 코드를 분리하십시오.
6. 부상 위험을 줄이려면 Motorola Solutions 인증 충전식 배터리만 사용하십시오. 다른 배터리는 폭발의 위험이 있으며 폭발 시 부상 및 손상을 입을 수 있습니다.
7. Motorola Solutions에서 권장하지 않는 액세서리를 사용하는 경우, 화재, 감전 또는 부상의 위험이 있습니다.
8. Motorola Solutions의 명시적 승인 없이 본 장치를 변형 또는 개조하면 사용자의 장비 사용 권한이 박탈될 수 있습니다.

작동 안전 지침

- 이 장비는 실외에서 사용하기에 적절하지 않습니다. 건조한 장소 및 환경에서만 사용하십시오.
- 충전기 주변의 최대 온도는 40 °C(104 °F)를 넘지 않아야 합니다.
- 최적의 충전 성능을 보장하려면 무선기가 Wi-Fi 또는 Bluetooth로 데이터를 무선으로 전송하지 않는 한 충전 중에는 장치를 끄십시오.
- 충전기는 [Motorola Solutions 인증 배터리 및 전원 어댑터 페이지의 11](#)에 제시된 적절한 전원 공급 장치 및 전원 코드에만 연결하십시오.
- 전원 공급 장치가 연결되어 있는 AC 콘센트는 가까운 곳에 있으며 접근성이 우수해야 합니다.
- 충전기에 연결된 전원 공급 장치 코드는 쉽게 밟히거나 걸려 넘어지거나 물기가 있거나 손상이나 응력이 가해질 수 있는 곳을 피하여 설치해 주십시오.
- 제품에 명시된 대로 올바른 전압의 적절한 퓨즈가 장착된 유선 AC 콘센트에만 전원 공급 장치를 연결하십시오.
- AC 콘센트로부터 전원 공급 장치를 분리하여 선간 전압을 차단하십시오.
- 사용 중인 인증된 멀티탭의 제한에 따라 15A 또는 20A 회로에 적정수 이상으로 너무 많은 전원공급장치를 연결하지 마십시오.

 **참고:** 직렬 연결 멀티탭은 권장하지 않습니다. 회로 부하는 회로 정격의 80% 미만으로 제한해야 합니다.

지적 재산권 및 규제 고지

저작권

이 문서에 설명되어 있는 Motorola Solutions 제품에는 저작권 보호를 받는 Motorola Solutions 컴퓨터 프로그램이 포함되어 있을 수 있습니다. 미국과 기타 국가의 법률은 저작권 보호를 받는 컴퓨터 프로그램에 대한 독점적인 권리를 Motorola Solutions에 부여합니다. 따라서 본 문서에 수록된 Motorola Solutions 제품에 포함되어 있으며 저작권 보호를 받는 모든 Motorola Solutions 컴퓨터 프로그램은 Motorola Solutions의 명시적인 서면 허가 없이는 어떠한 형식으로도 복사 또는 복제할 수 없습니다.

이 문서의 어떤 부분도 Motorola Solutions, Inc.의 사전 서면 허가 없이는 어떤 형태나 방식으로든 검색 시스템에 복사, 전송, 저장하거나 다른 언어 또는 컴퓨터 언어로 번역할 수 없습니다.

등록 상표

MOTOROLA, MOTO, MOTOROLA SOLUTIONS, and the Stylized M Logo are trademarks or registered trademarks of Motorola Trademark Holdings, LLC and are used under license. All other trademarks are the property of their respective owners.

라이선스 권한

제품 판매 관련 법규에 의해 사용이 허가된 일반적인 비배타적, 사용료가 면제된 라이선스를 제외하고는 Motorola Solutions 제품의 구매를 통해 저작권, 특허 또는 Motorola Solutions 특허 출원 하의 어떠한 라이선스도 직접적, 암시적, 금반언 또는 그 밖의 어떤 형식으로도 권리를 부여받은 것으로 간주되지 않습니다.

오픈 소스 콘텐츠

이 제품에는 라이선스에 의거하여 사용되는 오픈 소스 소프트웨어가 포함되어 있을 수 있습니다. 오픈 소스 법적 고지 및 귀속과 관련된 전체 내용은 제품 설치 미디어를 참조하십시오.

유럽 연합(EU) 및 영국(UK) 전기 전자 폐기물(WEEE: Waste Electrical and Electronic Equipment) 지침



유럽 연합의 WEEE 지침 및 영국의 WEEE 규정에 의하면 유럽 연합 국가 및 영국에서 판매되는 제품(또는 포장)에는 가위표가 표시된 바퀴 달린 쓰레기통 라벨이 부착되어 있어야 합니다. WEEE 지침의 규정에 따라, 가위표가 표시된 바퀴 달린 쓰레기통 라벨이 부착되어 있으면 유럽 연합 및 영국의 고객과 최종 사용자는 전기 전자 장비 또는 부속품을 생활 쓰레기로 폐기해서는 안 됩니다.

유럽 연합 및 영국의 고객 또는 최종 사용자는 현지 장비 공급업체 대리점이나 서비스 센터에 연락해 해당 국가의 쓰레기 수거 시스템에 대한 정보를 참조해야 합니다.

면책고지

본 문서에 수록된 일부 기능, 설비 및 능력은 특정 시스템용으로 적용 가능하거나 사용하도록 라이선스가 부여되지 않을 수 있으며 특정 모바일 가입자 장치의 특성 또는 일부 매개변수의 구성에 따라 달라질 수 있습니다. 자세한 내용은 현지 Motorola Solutions 대리점에 문의하십시오.

© 2024 Motorola Solutions, Inc. All Rights Reserved

인증 마크



보증

충전기 키트는 Motorola Solutions의 표준 제한 보증이 적용됩니다. 자세한 내용은 Motorola Solutions 대리점 또는 구입처에 문의하십시오.

연락처

CMSO(중앙 관리 지원 작업)는 Motorola Solutions과 사용자 조직의 서비스 계약에 포함된 기술 지원을 위한 기본 연락처입니다. 고객 문제에 대한 응답 시간을 단축하기 위해 Motorola Solutions은 전 세계 여러 국가에서 지원을 제공합니다.

서비스 계약 고객은 다음과 같이 계약에서 고객 책임 아래에 나열된 모든 상황에서 CMSO에 연락해야 합니다.

- 조치를 취하기 전에 문제 해결 결과 및 분석을 확인하기 위해

사용자 조직에 전달된 해당 지역 및 서비스 계약에 대한 지원 전화번호와 기타 연락처 정보를 사용하면 가장 효율적인 응답을 받을 수 있습니다. 그러나 필요한 경우 다음 단계를 따라 Motorola Solutions 웹사이트에서 일반 지원 연락처 정보를 찾을 수도 있습니다.

1. 브라우저에서 motorolasolutions.com을 입력합니다.
2. 조직의 국가 또는 지역이 페이지에 표시되는지 확인합니다. 지역 이름을 클릭하거나 탭하면 변경하는 방법이 제공됩니다.
3. motorolasolutions.com 페이지에서 "지원"을 선택합니다.

의견

사용 설명서와 관련된 질문과 의견은 documentation@motorolasolutions.com으로 보내주십시오.

문서 오류를 보고할 때는 다음 정보를 제출해 주십시오.

- 문서 제목 및 부품 번호
- 오류가 있는 페이지 번호 또는 섹션 제목
- 오류에 대한 설명

Motorola Solutions은 시스템 학습을 지원하기 위해 설계된 다양한 과정을 제공합니다. 자세한 내용은 <https://learning.motorolasolutions.com>으로 이동하여 현재 개설된 코스 및 기술 경로를 확인하십시오.

아이콘 규칙

이 문서 모음에는 사용자의 이해를 돕기 위한 다양한 아이콘이 있습니다. 다음 아이콘은 문서 모음 전반에 사용됩니다.



위험: 관련 안전 아이콘과 함께 표시되는 "위험"은 무시할 경우 심각한 상해 또는 사망을 초래할 수 있는 정보를 나타냅니다.



경고: 관련 안전 아이콘과 함께 표시되는 "경고"는 무시할 경우 심각한 상해, 사망 또는 심각한 제품 손상을 초래할 수 있는 정보를 나타냅니다.



주의: 관련 안전 아이콘과 함께 표시되는 "주의"는 무시할 경우 경미하거나 심각하지 않은 상해 또는 심각한 제품 손상을 초래할 수 있는 정보를 나타냅니다.

주의: 안전 아이콘이 표시되지 않는 "주의"는 제품과 관련이 없는 잠재적인 손상이나 상해를 나타냅니다.




중요: "중요"는 중요한 정보이지만 주의나 경고 수준이 아닌 정보를 나타냅니다. 중요 표시와 연관된 경고 레벨은 없습니다.



참고: "참고"에는 예외 사항이나 선결 조건과 같이 주변 내용보다 더 중요한 정보가 있습니다. 또한 참고는 사용자에게 다른 곳에 있는 추가 정보를 알려주거나, 동작을 완료하는 방법을 상기시켜 주거나(예: 현재 절차의 일부가 아닌 경우), 화면에서 무언가가 어디에 있는지 설명해 줍니다. 참고와 연관된 경고 레벨은 없습니다.

스타일 규칙

다음과 같은 스타일 규칙을 사용합니다.

규칙	설명
굵은 글꼴	이 서체는 화면에 이름이 나타날 때 창, 버튼 및 라벨 이름에 사용됩니다(예: 알람 브라우저 창). 확실한 것(예: 버튼)을 가리킬 때 이름이 단독으로 사용됩니다(예: 확인 을 클릭합니다.).
Monospacing font in bold	이 서체는 텍스트에 표시된 대로 정확하게 입력하는 단어에 사용됩니다(예: 주소 필드에 <code>http://ucs01.ucs:9080/</code> 을 입력합니다).
고정 너비 글꼴	이 서체는 메시지, 프롬프트 및 컴퓨터 화면에 표시되는 다른 텍스트에 사용됩니다(예: 새로운 트랩 대상이 추가되었습니다).
<굵은 기울임꼴 고정 너비 글꼴>	이 서체는 단어가 나타내는 특정 그룹 구성원의 자리 표시자로 꺾쇠 괄호와 함께 사용됩니다(예: <라우터 번호>).  참고: 입력되는 순서에서 꺾쇠 괄호는 입력할 텍스트에 꺾쇠 괄호 포함 여부를 혼동하지 않도록 생략됩니다.
대문자	이 서체는 키보드 키에 사용됩니다(예: Y를 누른 후 ENTER를 누릅니다.).
기울임꼴	이 서체는 인용에 사용됩니다. 일반적으로 인용은 문서 이름이거나 다른 문서에서 온 구문입니다(예: <i>Dimetra IP 시스템 개요</i>).
→	→(오른쪽 화살표)는 특정 메뉴 항목(예: 파일 → 저장) 또는 특정 하위 탭을 선택하는 방법에서 메뉴 또는 탭 구조를 나타내는 데 사용됩니다.

목차

안전 및 법률.....	2
연락처.....	5
아이콘 규칙.....	6
스타일 규칙.....	7
장 1: 충전기 개요.....	9
1.1 공인 액세서리.....	10
1.1.1 Motorola Solutions 인증 배터리 및 전원 어댑터.....	11
장 2: 작동 지침.....	12
2.1 충전 절차.....	12
2.2 충전기 LED 표시등.....	13

장 1

충전기 개요

그림 1: Mag One 싱글 유닛 충전기 CZ089C601

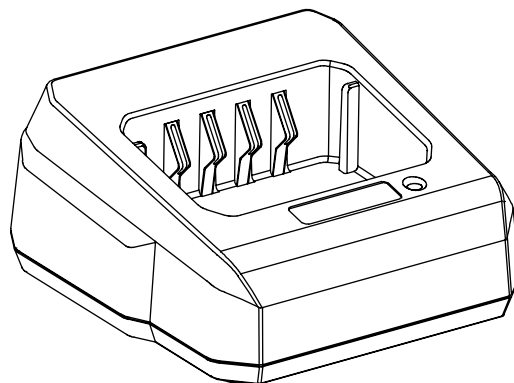


그림 2: 전면 및 후면 보기

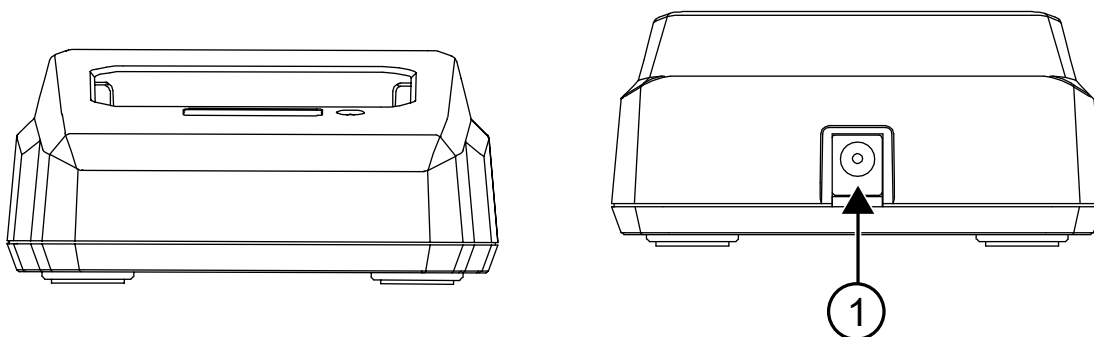


그림 3: 상단 및 하단 보기

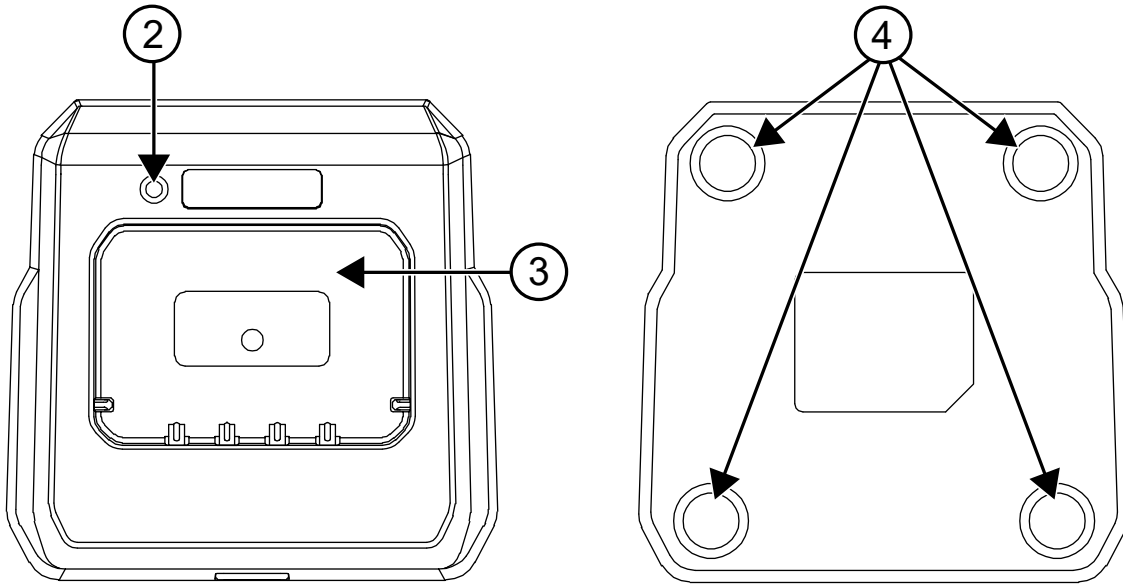


표 1: 충전기 개요

항목	설명
1	전원 소켓
2	LED 표시등
3	충전 포켓
4	미끄럼 방지 패드

표 2: 충전기 사양

항목	설명
입력 범위	DC 11~15V 0.5A
포화 전압	8.35V ± 0.084V
소량 충전 전류	100 mA
정전류 충전 전류	450~500mA
기능 보안	45°C ± 2°C에서 보호 0°C ± 3°C에서 보호 출력 단락 보호

1.1 공인 액세서리

이 섹션에는 충전기와 함께 사용할 수 있는 승인된 액세서리가 나와 있습니다.

1.1.1

Motorola Solutions 인증 배터리 및 전원 어댑터

표 3: Motorola Solutions 인증 배터리



부품 번호	설명
PMNN4844_	배터리 리튬 이온 IP54 1800mAh  참고: M31i 및 M34i에 적용됩니다.
PMNN4845_	배터리 리튬 이온 2200mAh  참고: M51i, M52i, M66i 및 M69i에 적용됩니다.

표 4: Motorola Solutions 인증 전원 어댑터

부품 번호	설명
PMPN4647_	전원 공급 장치 어댑터 키트, 중국
PMPN4678_	전원 공급 장치 어댑터 키트, 대한민국

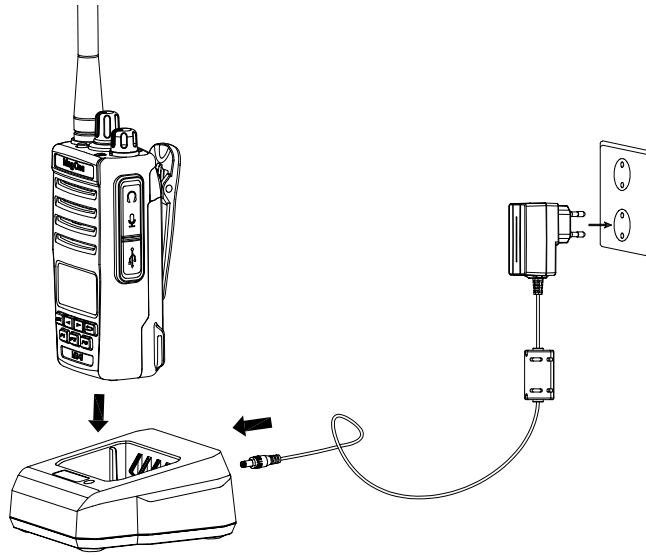
장 2

작동 지침

2.1 충전 절차

독립형 배터리 또는 무전기에 장착된 배터리를 충전할 수 있습니다.

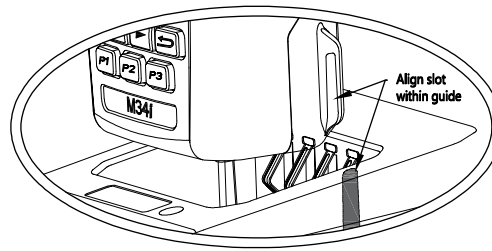
그림 4: Mag One 싱글 유닛 충전기 CZ089C601 충전 다이어그램



절차:

1. 적절한 AC 콘센트에 전원 공급 장치를 꽂습니다.
2. 전원 어댑터 플러그의 출력 단자를 충전기 뒤의 전원 소켓에 삽입합니다. 성공하면 LED가 0.5초 동안 황색으로 켜집니다.
3. 독립형 배터리 또는 무전기에 장착된 배터리를 삽입합니다. 최적의 배치를 위해 배터리의 슬롯을 충전기의 가이드에 맞춥니다.

그림 5: 배터리 슬롯과 충전기 가이드 정렬



LED 표시등이 빨간색으로 계속 켜져 있으면 충전이 진행 중임을 나타냅니다.

결과: 충전이 완료되면 LED 표시등이 녹색으로 켜집니다.



주의: 배터리 충전 시 주변 온도는 5°C~40°C 사이여야 합니다. 과열된 환경에 배터리를 두지 마십시오.



참고: 완전히 방전된 배터리를 완전히 충전하려면 약 5시간 정도 충전해야 합니다.

2.2

충전기 LED 표시등

다음 표는 충전기를 사용할 때의 LED 표시등에 대해 설명합니다.

표 5: 충전 상태 표시

LED 표시등	충전기 상태
 LED가 0.5초 동안 황색으로 켜졌다가 꺼짐	전원이 연결되었습니다.
 LED 꺼짐	배터리가 삽입되지 않았습니다.
 LED가 빨간색으로 켜짐	배터리를 충전하는 중입니다.
 LED가 녹색으로 켜짐	배터리가 완충되었습니다.
	<ul style="list-style-type: none"> 소량 충전 중입니다. 결함:

LED 표시등

충전기 상태

LED가 빨간색으로 깜박임

- 과열.
 - 배터리 단락.
 - 과방전 상태.
-