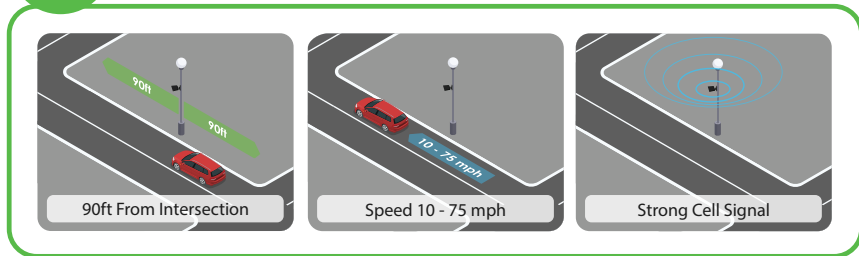


Eco Mode

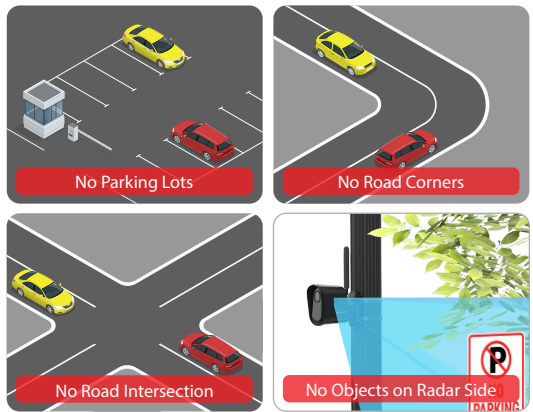
Installation Site Considerations



Do's



Don'ts



Solar Panel Inventory



Solar Panel & 2x Batteries



Solar Panel Mount



2x Screws



Solar Panel Charger



2x Metal Bandties
(Pole Mounting)



2x Lag Bolts
(Wall Mount)

AC Power Inventory



AC Power Cable

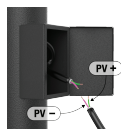


AC outlet
Required

DC Power Inventory



DC Power Cable



DC cable splicing
Required

This equipment is not entitled to protection against harmful interference and may not cause interference in properly authorized systems.

Este equipamento não tem direito à proteção contra interferência prejudicial e não pode causar interferência em sistemas devidamente autorizados.

MOTOROLA, MOTO, MOTOROLA SOLUTIONS and the Stylized M logo are trademarks MOTOROLA, MOTO, MOTOROLA SOLUTIONS and the Stylized M logo are trademarks All other trademarks are the property of their respective owners.

© 2024 Motorola Solutions, Inc. All rights reserved.

These regulatory labels are located inside the battery compartment.



USA Contact

Motorola Solutions, 2000 Progress Pkwy,
Schaumburg, IL. 60196.

UK Contact

Motorola Solutions, 160 Victoria St,
SW1E 5LB, U.K.

EU Contact

Motorola Solutions, Czerwone Maki 82,
30-392 Krakow, Poland

Additional Resources

motr.la/L6Qstart



VSD53381-AD

Printed in the United States



MOTOROLA SOLUTIONS

L6Q QUICKSTART

Start Here

Step - By - Step instructions on the app.

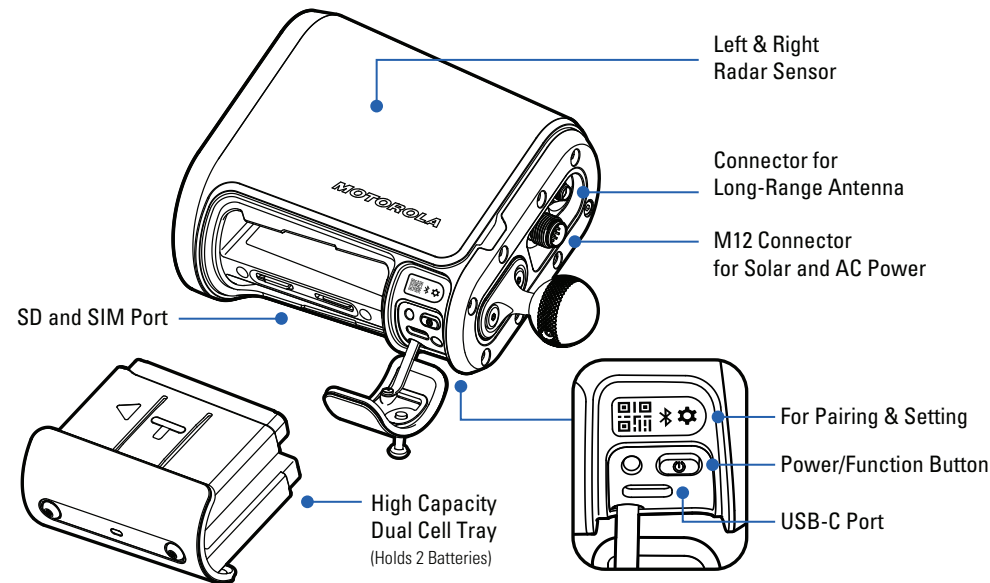
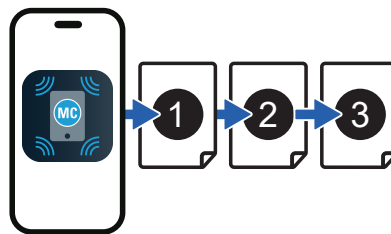


Available on the App Store

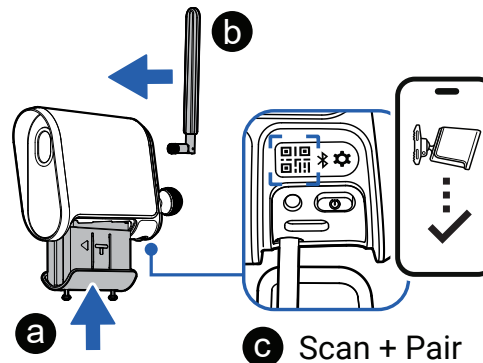
GET IT ON Google Play

Download Mobile Companion App

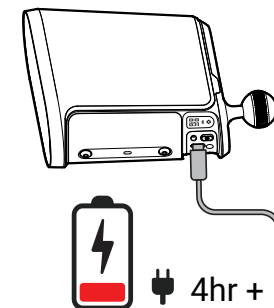
- 1 Mobile Companion App**
In-depth instructions and setup on the app.



- 2 Assemble Camera and Pair**
Insert battery tray and antenna. Then scan QR code on the L6Q with the Mobile Companion app to pair.

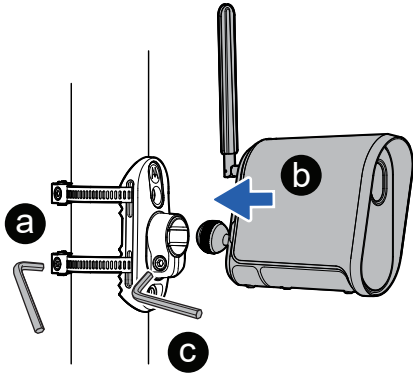


- 3 Charge Battery**
Fully charge the camera before going to the installation site.
Charge Solar Panel Battery



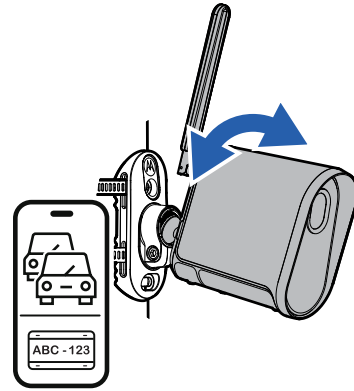
4 Install Mount and Camera

Install the mount. Then insert the L6Q ball joint into the mount. Secure with the Hex Key
Do not fully Lock



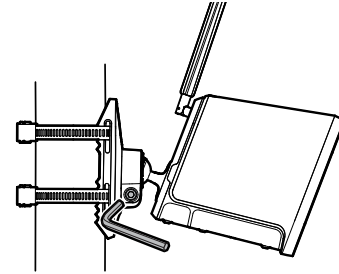
5 Aiming

Using the Mobile Companion App, aim the L6Q at oncoming traffic. Save setting when complete.



6 Lock Camera Position

Securely tighten the ball joint and lock the camera in place.



Recommended Installation Tools



12W/2.4Amp
Power Adapter



Measuring Tape
50ft - 75ft



Ladder
8ft - 14ft



Power Drill
M5 Hex Bit

Camera Inventory



L6Q Camera



Battery Pack
(Dual Cell)



Mount Bracket
(Wall or Pole Mount)



Antenna
(Long-Range)



M5 Hex & T20 Hex



M5 Hex & T20 Hex



2x Metal Bandties
(Pole Mount)



Zip ties
(Temporary Mount)



2x Lag Bolts
(Wall Mount)

Power & Reset

Powering On Press (1s) Quick Blink

Normal Operation On (Solid)

Powering Off Hold (~5s) Blinking Off

Factory Reset Hold (~30s) Blinking Off

Battery/Charging

Charging 0% - 90% On (Solid)

Charging 90% - 99% Blinking

Charging 100% On (Solid)

Low Battery 30% Blinking

Pairing

Enter Pairing Double Tap Alternating

Exit Pairing Press (1s) On (Solid)

Pairing Successful Blinking

Pairing Failed Alternating

Performance Mode

Camera Always On and Always Capturing
Suitable for All Traffic Mounting Locations.
Requires More Power Draw (AC/DC or Pole Tap)



AC/DC Power

or



Pole Tap

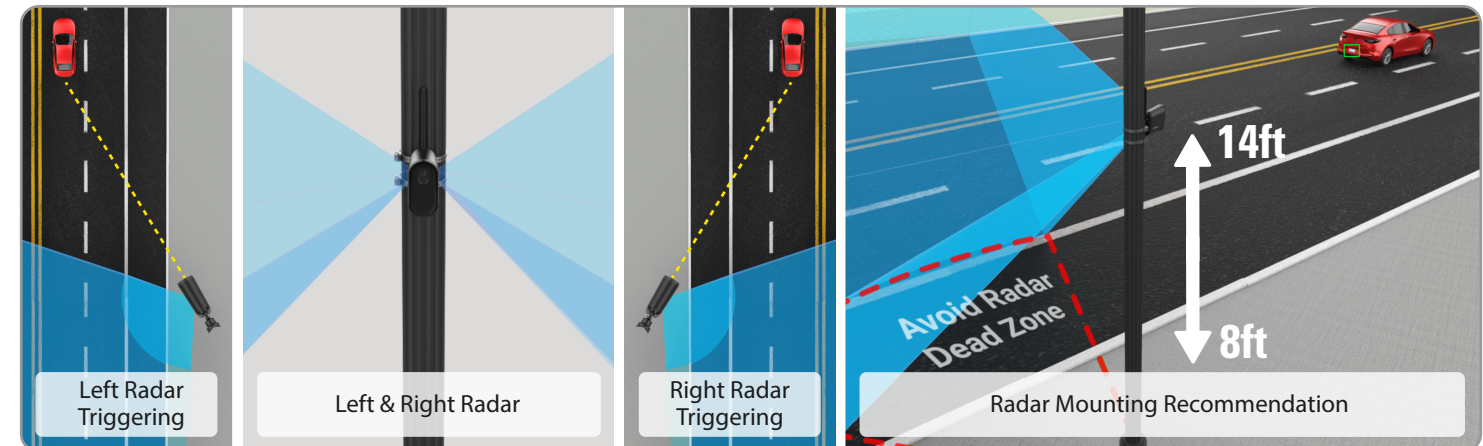
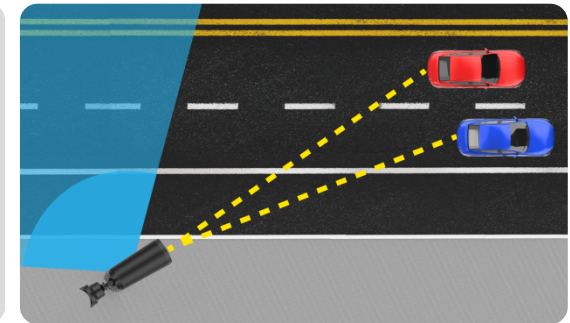


Eco Mode

Radar Trigger Capture
Solar Panel Optimized
Conserve Battery
Review Radar Requirements
more info on back



Side Firing Radar



Left Radar
Triggering

Left & Right Radar

Right Radar
Triggering

Radar Mounting Recommendation