

# Advisor™ TPG2200 TETRA Two-Way Pager Home Station

en-US

de-DE

es-ES

it-IT

nb-NO

**OCTOBER 2023**

© 2023 Motorola Solutions, Inc. All Rights Reserved.



MN003556A01-AE

# Intellectual Property and Regulatory Notices

## Copyrights

The Motorola Solutions products described in this document may include copyrighted Motorola Solutions computer programs. Laws in the United States and other countries preserve for Motorola Solutions certain exclusive rights for copyrighted computer programs. Accordingly, any copyrighted Motorola Solutions computer programs contained in the Motorola Solutions products described in this document may not be copied or reproduced in any manner without the express written permission of Motorola Solutions.

No part of this document may be reproduced, transmitted, stored in a retrieval system, or translated into any language or computer language, in any form or by any means, without the prior written permission of Motorola Solutions, Inc.

## Trademarks

MOTOROLA, MOTO, MOTOROLA SOLUTIONS, and the Stylized M Logo are trademarks or registered trademarks of Motorola Trademark Holdings, LLC and are used under license. All other trademarks are the property of their respective owners.

## License Rights

The purchase of Motorola Solutions products shall not be deemed to grant either directly or by implication, estoppel or otherwise, any license under the copyrights, patents or patent applications of Motorola Solutions, except for the normal non-exclusive, royalty-free license to use that arises by operation of law in the sale of a product.

## Open Source Content

This product may contain Open Source software used under license. Refer to the product installation media for full Open Source Legal Notices and Attribution content.

## European Union (EU) and United Kingdom (UK) Waste of Electrical and Electronic Equipment (WEEE) Directive



The European Union's WEEE directive and the UK's WEEE regulation require that products sold into EU countries and the UK must have the crossed-out wheellie bin label on the product (or the package in some cases). As defined by the WEEE directive, this crossed-out wheellie bin label means that customers and end-users in EU and UK countries should not dispose of electronic and electrical equipment or accessories in household waste.

Customers or end-users in EU and UK countries should contact their local equipment supplier representative or service centre for information about the waste collection system in their country.

## Disclaimer

Please note that certain features, facilities, and capabilities described in this document may not be applicable to or licensed for use on a specific system, or may be dependent upon the characteristics of a specific mobile subscriber unit or configuration of certain parameters. Please refer to your Motorola Solutions contact for further information.

© 2023 Motorola Solutions, Inc. All Rights Reserved

# Contact Us

The Centralized Managed Support Operations (CMSO) is the primary contact for technical support included in your organization's service agreement with Motorola Solutions.

Service agreement customers should be sure to call the CMSO in all situations listed under Customer Responsibilities in their agreement, such as:

- To confirm troubleshooting results and analysis before taking action

Your organization received support phone numbers and other contact information appropriate for your geographic region and service agreement. Use that contact information for the most efficient response. However, if needed, you can also find general support contact information on the Motorola Solutions website, by following these steps:

1. Enter [motorolasolutions.com](https://motorolasolutions.com) in your browser.
2. Ensure that your organization's country or region is displayed on the page. Clicking or tapping the name of the region provides a way to change it.
3. Select "Support" on the [motorolasolutions.com](https://motorolasolutions.com) page.

## Comments

Send questions and comments regarding user documentation to [documentation@motorolasolutions.com](mailto:documentation@motorolasolutions.com).

Provide the following information when reporting a documentation error:

- The document title and part number
- The page number or title of the section with the error
- A description of the error

Motorola Solutions offers various courses designed to assist in learning about the system. For information, go to <https://learning.motorolasolutions.com> to view the current course offerings and technology paths.

# Icon Conventions

The documentation set is designed to give the reader more visual clues. The following graphic icons are used throughout the documentation set.



**DANGER:** The signal word DANGER with the associated safety icon implies information that, if disregarded, will result in death or serious injury.



**WARNING:** The signal word WARNING with the associated safety icon implies information that, if disregarded, could result in death or serious injury, or serious product damage.



**CAUTION:** The signal word CAUTION with the associated safety icon implies information that, if disregarded, may result in minor or moderate injury, or serious product damage.



**CAUTION:** The signal word CAUTION may be used without the safety icon to state potential damage or injury that is not related to the product.




**IMPORTANT:** IMPORTANT statements contain information that is crucial to the discussion at hand, but is not CAUTION or WARNING. There is no warning level associated with the IMPORTANT statement.



**NOTE:** NOTICE contains information more important than the surrounding text, such as exceptions or preconditions. They also refer the reader elsewhere for additional information, remind the reader how to complete an action (when it is not part of the current procedure, for instance), or tell the reader where something is on the screen. There is no warning level associated with a notice.

# Style Conventions

The following style conventions are used:

Convention	Description
<b>Bold</b>	This typeface is used for names of, for instance, windows, buttons, and labels when these names appear on the screen (example: the <b>Alarms Browser</b> window). When it is clear that we are referring to, for instance, a button, the name is used alone (example: Click <b>OK</b> ).
Monospacing font in bold	This typeface is used for words to be typed in exactly as they are shown in the text (example: In the <b>Address</b> field, type <code>http://ucs01.ucs:9080/</code> ).
Monospacing font	This typeface is used for messages, prompts, and other text displayed on the computer screen (example: <code>A new trap destination has been added</code> ).
<i>&lt;Monospacing font in bold Italic&gt;</i>	This typeface is used with angle brackets as placeholders for a specific member of the group that the words represent (example: <i>&lt;router number&gt;</i> ).   <b>NOTE:</b> In sequences to be typed in, the angle brackets are omitted to avoid confusion whether to include the angle brackets in the text to be typed.
CAPITAL LETTERS	This typeface is used for keyboard keys (example: Press Y, and then press ENTER).
<i>Italic</i>	This typeface is used for citations. A citation usually is the name of a document or a phrase from another document (example: <i>Dimetra IP System Overview</i> ).
→	An → (arrow pointing right) is used for indicating the menu or tab structure in instructions on how to select a certain menu item (example: <b>File</b> → <b>Save</b> ) or a certain subtab.

# Contents

<b>Intellectual Property and Regulatory Notices.....</b>	<b>2</b>
<b>Contact Us.....</b>	<b>3</b>
<b>Icon Conventions.....</b>	<b>4</b>
<b>Style Conventions.....</b>	<b>5</b>
<b>Important Safety Instructions.....</b>	<b>7</b>
<b>Operational Safety Guidelines.....</b>	<b>8</b>
<b>Chapter 1: Home Station Overview.....</b>	<b>9</b>
1.1 Relay Specification.....	11
<b>Chapter 2: Authorized Kits.....</b>	<b>12</b>
2.1 Motorola Solutions Authorized Battery.....	12
2.2 Motorola Solutions Authorized Power Supply.....	12
2.3 Motorola Solutions Authorized Programming USB Cable.....	12
2.4 Motorola Solutions Authorized Antenna.....	13
2.4.1 Other Antenna.....	13
2.5 Other Motorola Solutions Authorized Accessories.....	13
<b>Chapter 3: Operating Instructions.....</b>	<b>15</b>
3.1 Charging the Pager.....	15
3.2 Single Handed Removal.....	17
3.3 Installing the Antenna.....	17
3.4 Crimping the Ferrules.....	18
3.5 Connecting the Alarm System to the Home Station.....	18
3.6 Disconnecting the Alarm System from the Home Station.....	19

# Important Safety Instructions

This document contains important safety and operating instructions. Please read these instructions carefully and save them for future reference.

Before using the home station, read all the instructions and cautionary markings on the home station, the battery, and the pager using the battery.

 **WARNING:**

- To reduce the risk of damage to the power cord, pull the plug rather than the cord when disconnecting the home station.
- To reduce the risk of fire or electric shock, avoid using an extension cord.
- To reduce the risk of fire, electric shock, or injury, do not operate the home station if it is broken or damaged in any way. Take it to a qualified Motorola Solutions service representative.
- Do not disassemble the home station. It is not repairable and replacement parts are not available. Disassembling the home station may result in risk of electric shock or fire.
- To reduce the risk of electric shock, unplug the home station from the AC outlet before attempting any maintenance or cleaning.
- To reduce the risk of injury, charge only the rechargeable authorized batteries. Other batteries may explode, causing personal injury and damage.
- To reduce the risk of fire, electric shock, or injury, only use the accessories recommended by Motorola Solutions.
- This is a Class A product. In a domestic environment, this product may cause pager interference. Take adequate measures to prevent interference.

# Operational Safety Guidelines


- This equipment is not suitable for outdoor use. Use only in dry locations and condition.
- Maximum ambient temperature around the charger must not exceed 40 °C (104 °F).
- Ensure the pager is dry before inserting into the Home Station.
- Connect the equipment only to an appropriately fused and wired AC outlet with the correct voltage, as specified on the product.
- Disconnect from line voltage by removing the main plug.
- The AC outlet to which the power cord is connected should be close and easily accessible.
- In equipment using fuses, replacements must comply with the type and rating specified in the equipment instructions.
- The equipment shall be connected to a nearby and easily accessible socket outlet.
- Output power from the power supply unit must not exceed the ratings stated on the product label located on the bottom of the home station.
- Make sure the cord is located where it will not be stepped on, tripped over, or subjected to water, damage, or stress.



## Chapter 1

# Home Station Overview

The TETRA TPG2200 Pager Home Station is a charger and docking station for the TPG2200 Pager.

 **NOTE:** The term radio used throughout this manual also refers to the pager and other radio communication devices.

There are two kit variants of the TETRA TPG2200 Pager Home Station; the PMPN4142\_ kit and the PMPN5002\_ kit. The PMPN4142\_ kit comes with a 380 – 430 MHz antenna while the PMPN5002\_ kit comes with a 440 – 470 MHz antenna. Both kits include a charger docking station, a power supply adapter, a spacer, and four ferrules. The Home Station provides alert for messages received by the pager when it is docked and acts as a relay connection to the in-house alarm system. The Alert LED illuminates in white when new messages are received.

**Figure 1: Home Station**



Figure 2: Home Station Overview

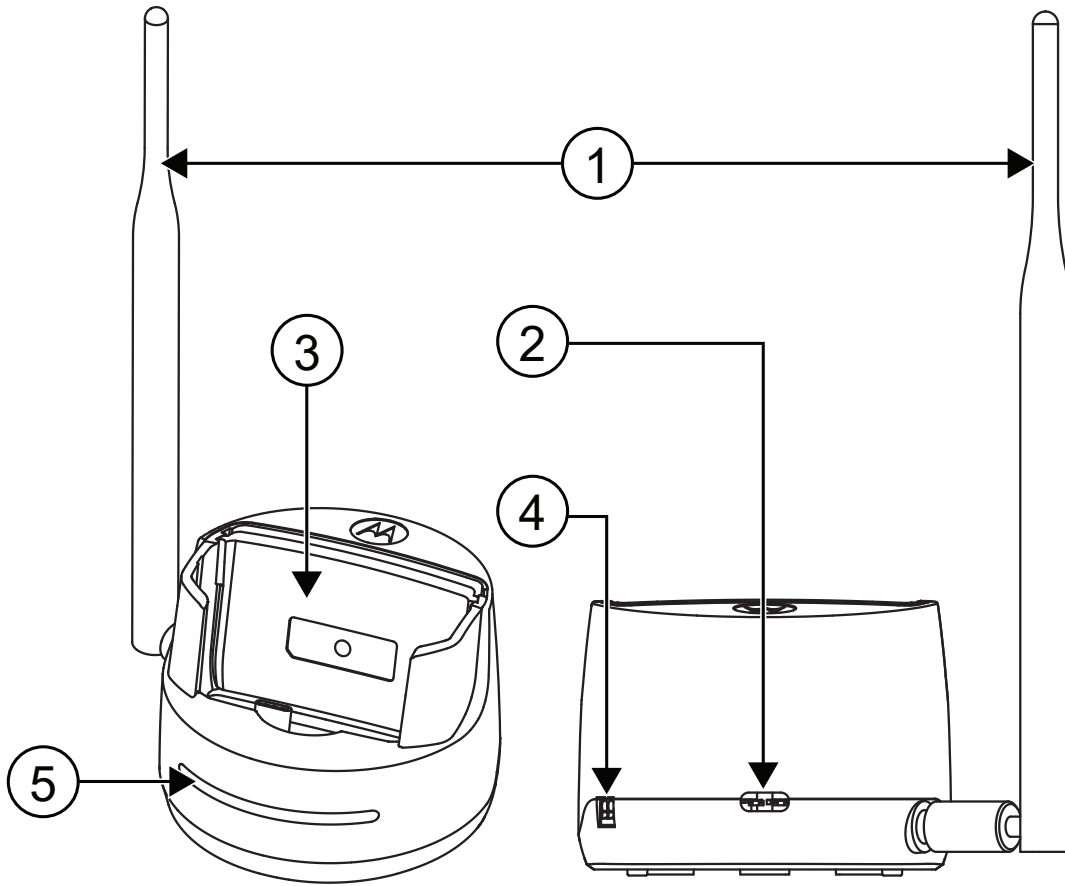
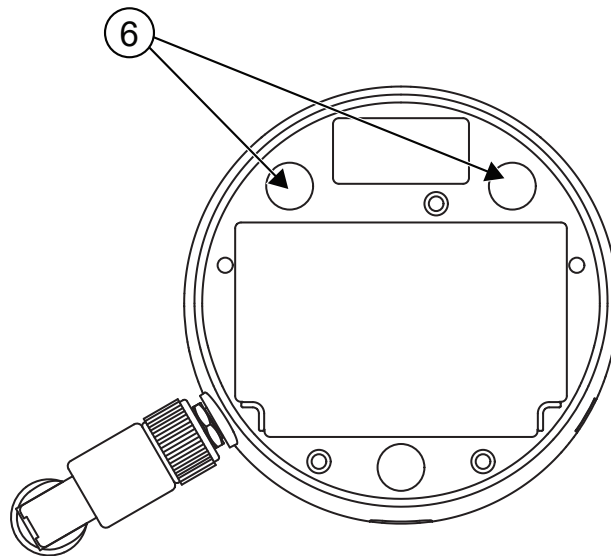




Figure 3: Draining Holes



Item	Description
1	SMA Swivel Whip Antenna
2	USB-C Connector
3	Spacer  <b>NOTE:</b> The spacer provided with the Home Station is meant for use with the standard capacity battery (spacer kit part number: HN001086A02). When charging the high capacity battery PMNN4586_, replace the spacer with the thinner spacer (part number HN001086A01) provided together with the high capacity battery cover kit, PMHN4463_.
4	Relay Connector
5	Alert LED
6	Do not cover draining holes

 **NOTE:** The following only occurs when the pager is docked in the Home Station and the power supply is switched On:

- The pager docking status is detected.
- The pager is charged.
- The Home Station Alert LED, relay connector, and external antenna are activated.

## 1.1

# Relay Specification

This section provides the relay specifications.

- Nominal switching capacity (resistive load): 2 A 30 VDC, 0.5A 125 VAC.
- Maximum switching power (resistive load): 60 W, 62.5 VA.
- Maximum switching voltage: 220 VDC, 125 VAC

## Chapter 2

# Authorized Kits

This section lists the kits authorized to use with the Home Station.

### 2.1

## Motorola Solutions Authorized Battery

The following batteries are approved for use with the Home Station. Do not charge other non-approved batteries.

**Table 1: Motorola Solutions Authorized Battery**

Kit Number	Description
PMNN4510_	Battery IMPRES™ 2 Lithium-ion 2300T
PMNN4586_	Battery IMPRES 2 Lithium-Ion 3600T

### 2.2

## Motorola Solutions Authorized Power Supply

The following power supplies are approved for use with the Home Station.

**Table 2: Motorola Solutions Authorized Power Supply**

Kit Number	Description
PS000150A22	Power supply wall 240 Vac Universal Europe Adapter 5 VDC/1.5 A L6 USB-C (1 meter cable)
PS000150A52	Power supply wall 240 Vac Universal Europe Adapter 5 VDC/1.5 A L6 USB-C (1.8 meter cable)



**NOTE:** Use only Motorola Solutions approved chargers and cables which provide optimal performance. Using other chargers may fail to fully charge or reduce the life of the battery.


### 2.3

## Motorola Solutions Authorized Programming USB Cable

The following programming cable is approved for use with the Home Station and pager. Refer to TPG2200 Pager Product Information Manual for more details.

**Table 3: Motorola Solutions Authorized Programming USB Cable**

Part Number	Description
PMKN4196_	<ul style="list-style-type: none"> <li>• USB 2.0</li> <li>• Type-A connector (PC compatible) and Type-C plug.</li> </ul>

 **NOTE:** Using incorrect cable affects the performance of the Home Station and pager.

## 2.4

# Motorola Solutions Authorized Antenna

The following antenna is approved for use with the Home Station.

**Table 4: Motorola Solutions Authorized Antenna**

Kit Number	Description
PMAE4108_	<ul style="list-style-type: none"> <li>• A swivel whip antenna with SMA male/plug connector.</li> <li>• A 50-Ohm antenna that operates at frequency band from 380 MHz to 430 MHz.</li> </ul>
PMAE4114_	<ul style="list-style-type: none"> <li>• A swivel whip antenna with SMA male/plug connector.</li> <li>• A 50-Ohm antenna that operates at frequency band from 440 MHz to 470 MHz.</li> </ul>

### 2.4.1

## Other Antenna

You can use other antenna with similar description listed in [Table 4: Motorola Solutions Authorized Antenna on page 13](#).

To switch to external antenna when the pager is docked, switch On the travel charger (power supply) which supplies power to the Home Station. If the travel charger is switched Off, the pager is unable to connect to the external antenna and the pager uses its internal antenna for transmitting and receiving signals.

## 2.5

# Other Motorola Solutions Authorized Accessories

The following accessories are approved for use with the Home Station.

**Table 5: Other Motorola Solutions Authorized Accessories**

Kit Number	Description
HN001086A01	Spacer, thin

Kit Number	Description
	For use with the high capacity battery (PMNN4586_) when charging using the Home Station.
HN001086A02	Spacer For use with the standard capacity battery (PMNN4510_) when charging using the Home Station.

## Chapter 3

# Operating Instructions

The Home Station is intended for use only with authorized Motorola Solutions battery and power supply. Usage with unauthorized products may prevent proper operation and may damage the device.

### 3.1

## Charging the Pager

The Home Station accommodates a pager with an attached battery in the pocket.

#### **When and where to use:**

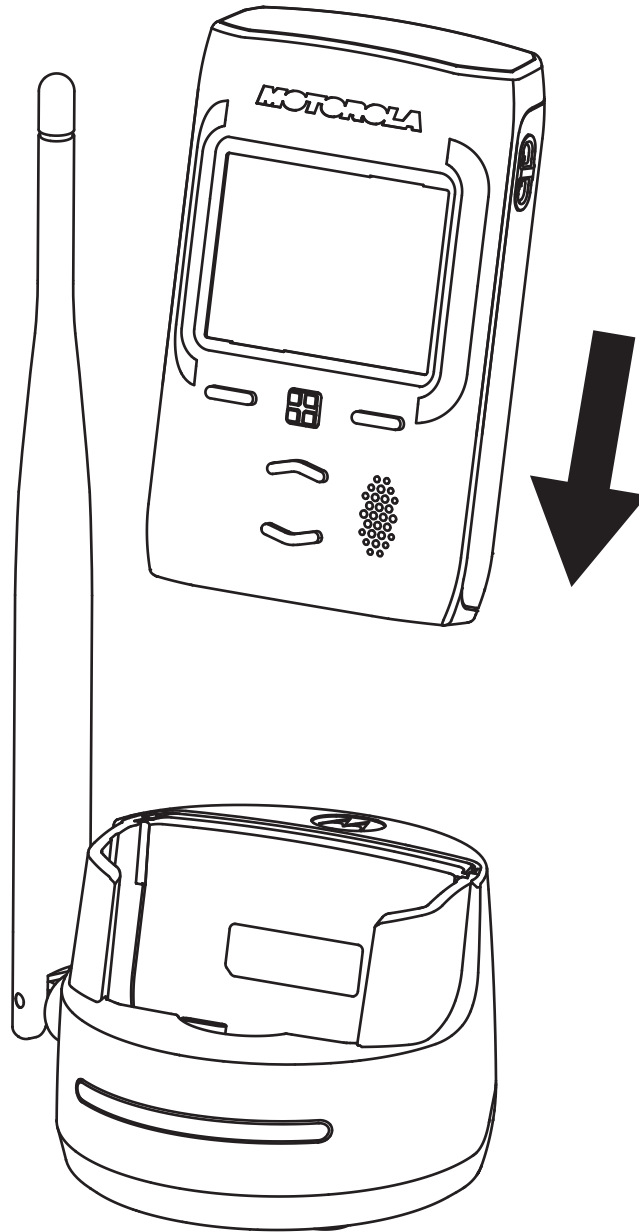
To ensure full charger, it is recommended to charge new battery overnight. To minimize the charging time, turn the pager off.

To charge the pager with battery attached, perform the following procedures:

#### **Procedure:**

1. Place the Home Station on a flat surface.
2. Plug the power supply cord into the USB-C connector on the back of the Home Station.
3. Plug the power supply into the appropriate AC outlet.
4. Insert a pager with battery into the Home Station pocket.
  - a. Align the side of the Home Station on each side of the pager with the corresponding pocket wall.
  - b. Slide the pager into the Home Station pocket, ensuring complete USB-C connector contacts between the Home Station and pager.

Figure 4: Docking the pager



When the pager is properly seated in the Home Station pocket, the pager displays `Home Station Connected`.



**NOTE:** When docking the pager, ensure the spacer is placed in the pocket of the Home Station.

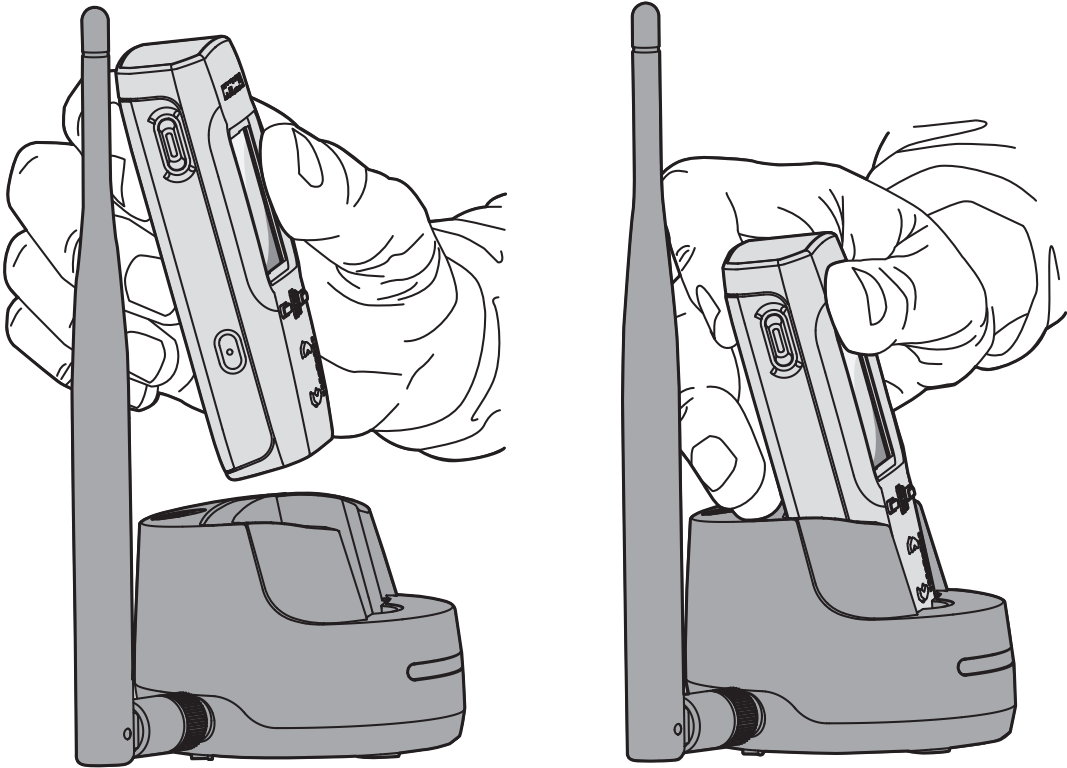


3.2

# Single Handed Removal

This section provides single handed removal information.

Figure 5: Single Handed Removal



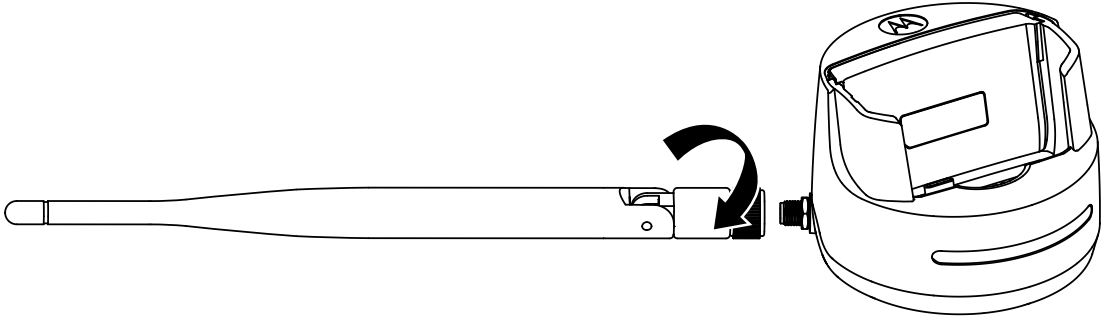
3.3

# Installing the Antenna

Procedure:

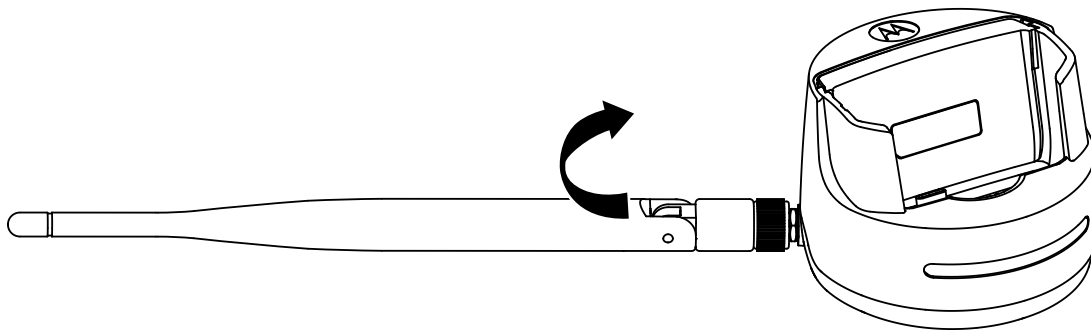
- 1. Screw in the antenna.


Figure 6: Installing the Antenna



- 2. Bend the antenna.

**Figure 7: Bending the Antenna**



 **NOTE:** To obtain better performance, bend the antenna to a vertical position to adapt with the surrounding.

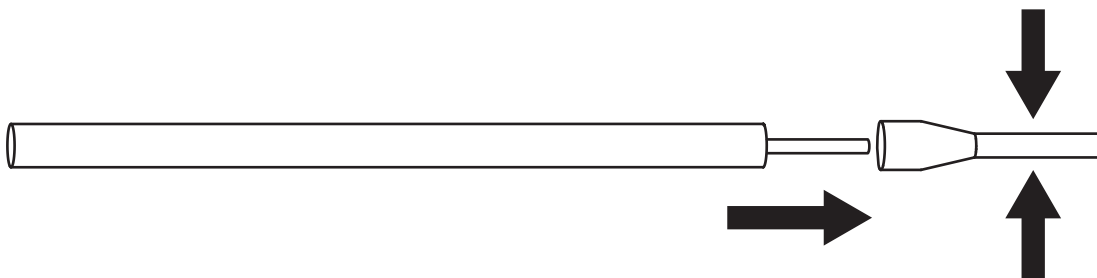
### 3.4

## Crimping the Ferrules

**Procedure:**

1. Sleeve off the wire harness of the alarm system.
2. Insert into the provided ferrules, and crimp it with crimper.

**Figure 8: Crimping the ferrules.**



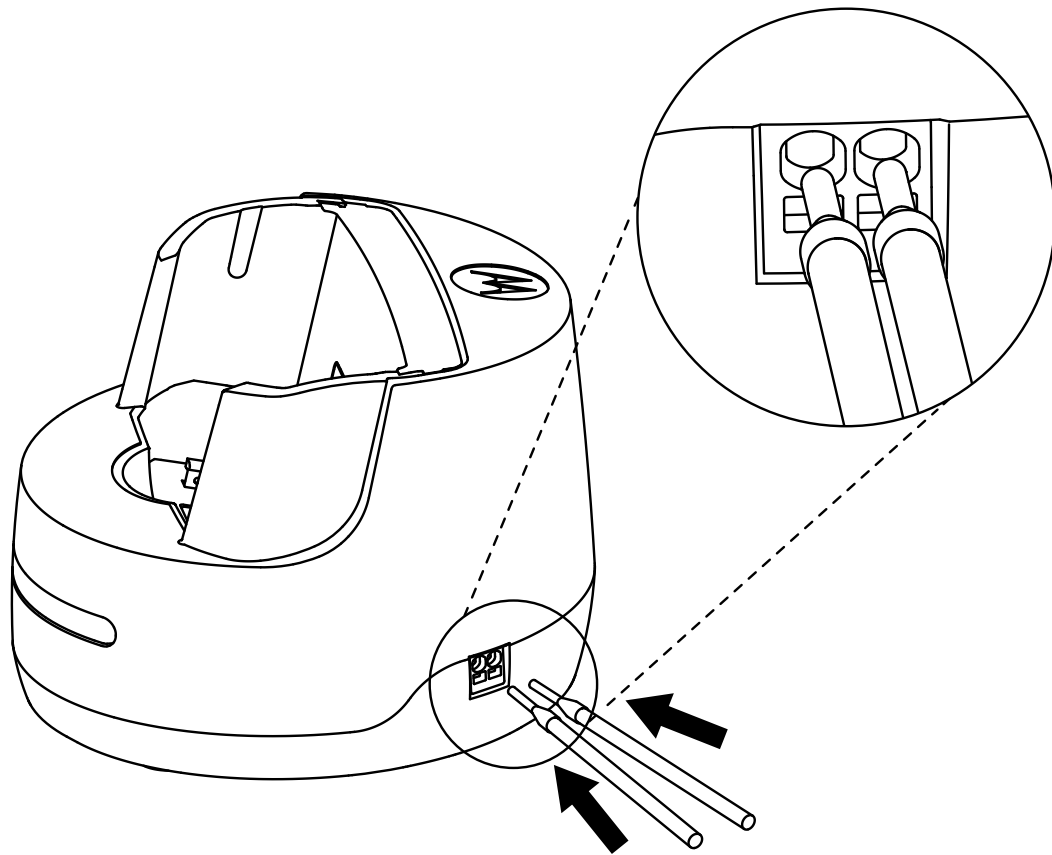
### 3.5

## Connecting the Alarm System to the Home Station

**Procedure:**

Insert the wires with crimped ferrules into each of the two top holes of the relay connector.

Figure 9: Inserting Ferrules into Relay Connector



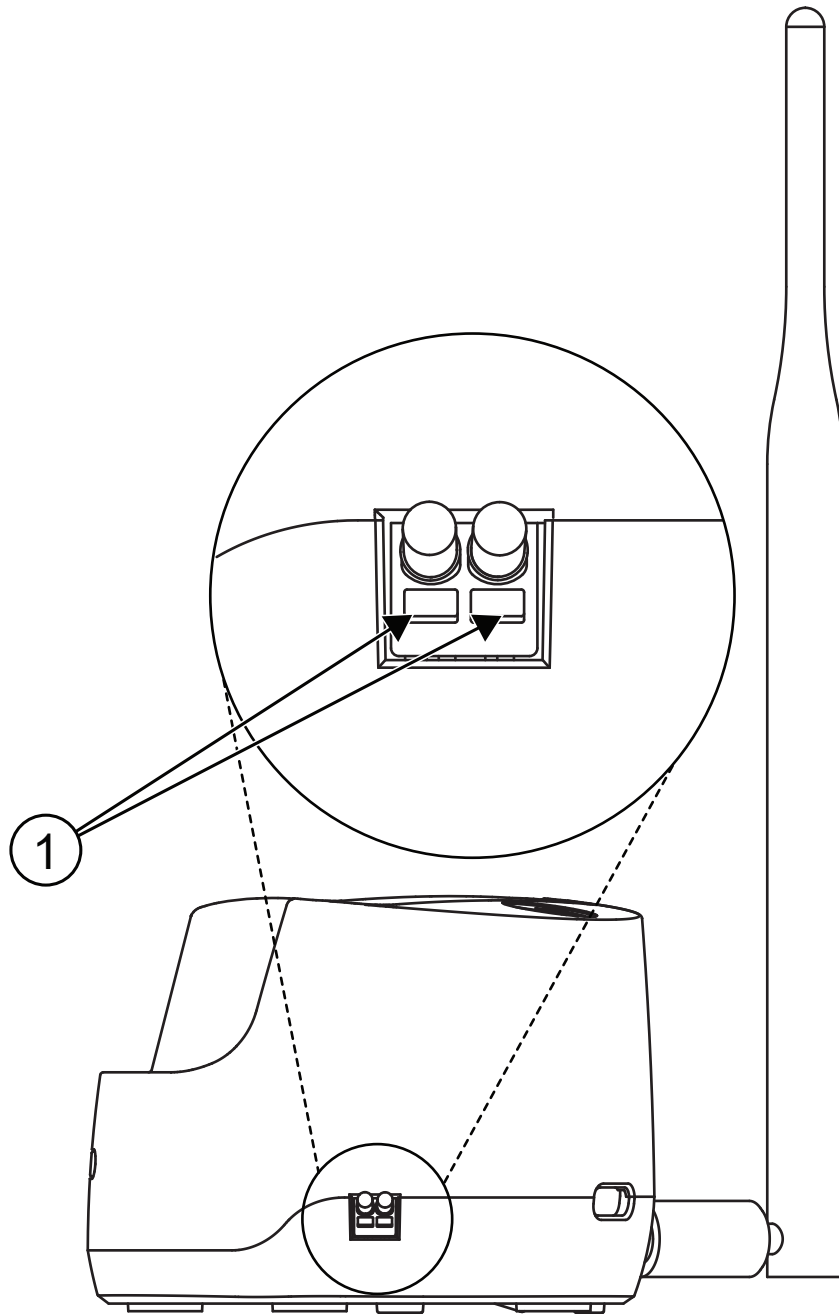
### 3.6

## Disconnecting the Alarm System from the Home Station

### Procedure:

1. To remove the external alarm wires, use a needle nose object to activate the levers on the relay connector.
2. Pull the wires out when the levers are activated.

Figure 10: The Levers on the Relay Connector



Item	Description
1	Levers

# Advisor™ TPG2200

## TETRA Zwei-Wege-Pager- Homestation



# Hinweise zu geistigem Eigentum und gesetzlichen Bestimmungen

## Copyright

Die in diesem Dokument beschriebenen Motorola Solutions-Produkte können durch Copyright geschützte Computerprogramme von Motorola Solutions enthalten. Nach den Gesetzen der USA und anderer Staaten sind bestimmte exklusive Rechte an der urheberrechtlich geschützten Software der Firma Motorola Solutions vorbehalten. Demzufolge dürfen urheberrechtlich geschützte Computerprogramme von Motorola Solutions, die zusammen mit den in diesem Dokument beschriebenen Motorola Solutions-Produkten ausgeliefert werden, ohne die vorherige schriftliche Genehmigung von Motorola Solutions weder kopiert noch in jeglicher Form reproduziert werden.

Die Vervielfältigung, Übertragung, Speicherung in einem Abrufsystem oder Übersetzung in eine Sprache oder Computersprache ist für keinen Teil dieses Dokuments in keinerlei Form und durch keinerlei Methode ohne vorherige schriftliche Genehmigung von Motorola Solutions Inc. gestattet.

## Marken

MOTOROLA, MOTO, MOTOROLA SOLUTIONS, and the Stylized M Logo are trademarks or registered trademarks of Motorola Trademark Holdings, LLC and are used under license. All other trademarks are the property of their respective owners.

## Lizenzrechte

Mit dem Kauf von Produkten von Motorola Solutions werden weder ausdrücklich noch stillschweigend, durch Rechtsverwirkung oder auf andere Weise Lizenzen unter dem Copyright, dem Patent oder den Patentanwendungen von Software von Motorola Solutions ausgegeben, außer der Nutzung von gewöhnlichen, nicht exklusiv erteilten, gebührenfreien Lizenzen, die sich aus der Anwendung der Gesetze beim Verkauf eines Produkts ergeben.

## Open-Source-Inhalt

Dieses Produkt kann Open-Source-Software enthalten, die unter Lizenz verwendet wird. Vollständige rechtliche Hinweise und Attributionsinformationen zu Open Source finden Sie in den Produktinstallationsmedien.

## Richtlinie zu Elektro- und Elektronik-Altgeräten (WEEE) der Europäischen Union (EU) und des Vereinigten Königreichs (UK)



■ Gemäß WEEE-Richtlinie (Waste of Electrical and Electronic Equipment, deutsch Elektro- und Elektronikaltgeräte) der EU und des Vereinigten Königreichs besteht für Elektro- und Elektronikgeräte, die in den Mitgliedsländern der Europäischen Union und dem Vereinigten Königreich in Verkehr gebracht werden, Kennzeichnungspflicht. Die Kennzeichnung erfolgt durch ein Etikett mit einer durchgestrichenen Mülltonne, das am Produkt selbst oder an der Verpackung angebracht wird. Wie in der WEEE-Richtlinie festgelegt, bedeutet diese Kennzeichnung, dass Kunden und Endverbraucher in Ländern der EU und des Vereinigten Königreichs elektrische und elektronische Geräte und Zubehör nicht mit dem Haushaltsmüll entsorgen sollten.

Endverbraucher in den Mitgliedsländern der Europäischen Union und dem Vereinigten Königreich sind angehalten, bei ihrem lokalen Händler oder beim Kundendienst des Herstellers Informationen zum Rücknahmesystem ihres Landes einzuholen.

## **Haftungsausschluss**

Beachten Sie, dass bestimmte Funktionen, Eigenschaften und Möglichkeiten, die in diesem Dokument beschrieben werden, für ein bestimmtes System möglicherweise nicht gelten oder nicht lizenziert sind oder von den Eigenschaften bestimmter mobiler Endgeräte (Funkgeräte) oder von der Konfiguration bestimmter Parameter abhängen können. Wenden Sie sich für weitere Informationen an Ihren Ansprechpartner von Motorola Solutions.

© 2023 Motorola Solutions, Inc. All Rights Reserved

# Kontakt

Centralized Managed Support Operations (CMSO) ist der primäre Ansprechpartner für den technischen Support, wie im Servicevertrag Ihres Unternehmens mit Motorola Solutions festgelegt.

Kunden mit Serviceverträgen sollten in allen Situationen, die unter „Verantwortlichkeiten des Kunden“ in ihrem Vertrag aufgeführt sind, zunächst das CMSO kontaktieren. Zum Beispiel:

- um Ergebnisse von Fehlersuchen und -analysen zu bestätigen, bevor Maßnahmen ergriffen werden

Ihr Unternehmen hat Telefonnummern für den Support und weitere Kontaktinformationen erhalten, die für Ihre geografische Region und Ihren Servicevertrag maßgeblich sind. Verwenden Sie diese Kontaktinformationen, um schnellstmöglich Antworten zu erhalten. Wenn es jedoch erforderlich ist, können Sie auch allgemeine Kontaktinformationen zum Support auf der Website von Motorola Solutions finden. Dazu gehen Sie wie folgt vor:

1. Geben Sie [motorolasolutions.com](https://motorolasolutions.com) in Ihren Browser ein.
2. Stellen Sie sicher, dass das Land oder die Region für Ihr Unternehmen auf der Seite angezeigt wird. Klicken oder tippen Sie auf den Namen der jeweiligen Region, wenn Sie diese ändern möchten.
3. Wählen Sie dann auf der Seite [motorolasolutions.com](https://motorolasolutions.com) den Eintrag „Support“ aus.

## Kommentare

Senden Sie Fragen und Kommentare zur Benutzerdokumentation an [documentation@motorolasolutions.com](mailto:documentation@motorolasolutions.com).

Geben Sie die folgenden Informationen beim Melden eines Dokumentfehlers an:

- den Dokumenttitel und die Teilenummer
- die Seitennummer oder den Titel des Abschnitts mit dem Fehler
- eine Beschreibung des Fehlers

Motorola Solutions bietet verschiedene Kurse für die Schulung über das neue System an. Informationen zu aktuellen Kursangeboten und Technologien finden Sie unter <https://learning.motorolasolutions.com>.



# Verwendete Symbole

Visuelle Hinweise im Dokumentationssatz bieten dem Benutzer einen besseren Überblick. Die folgenden grafischen Symbole werden im gesamten Dokumentationssatz verwendet.



**GEFAHR:**

Das Signalwort GEFAHR und das entsprechende Sicherheitssymbol weisen auf Informationen hin, die bei Nichteinhaltung zum Tode oder zu schweren Verletzungen führen.



**WARNUNG:**

Das Signalwort WARNUNG und das entsprechende Sicherheitssymbol weisen auf Informationen hin, die bei Nichteinhaltung zum Tode oder zu schweren Verletzungen sowie zu schweren Beschädigungen des Produkts führen können.



**VORSICHT:**

Das Signalwort VORSICHT und das entsprechende Sicherheitssymbol weisen auf Informationen hin, die bei Nichteinhaltung zu leichten oder mittelschweren Verletzungen sowie zu schweren Beschädigungen des Produkts führen können.



**VORSICHT:**

Das Signalwort VORSICHT kann auch ohne das Sicherheitssymbol verwendet werden, um Sie über potenzielle Schäden oder Verletzungsgefahren zu informieren, die nicht mit dem Produkt in Zusammenhang stehen.



**WICHTIG:**

Mit WICHTIG gekennzeichnete Aussagen enthalten Informationen, die für den aktuell beschriebenen Vorgang wichtig sind, jedoch nicht zu den Kategorien VORSICHT und WARNUNG zählen. Inhalte, die als WICHTIG gekennzeichnet sind, sind keiner Warnstufe zugeordnet.




**HINWEIS:**

HINWEISE enthalten Informationen, die wichtiger sind als der umgebende Text, wie beispielsweise Ausnahmen und Voraussetzungen. Zudem wird der Benutzer auf zusätzliche Informationen hingewiesen, dem Benutzer wird die Durchführung eines Vorgangs in Erinnerung gerufen (wenn dieser beispielsweise nicht Teil der aktuell beschriebenen Vorgehensweise ist), oder dem Benutzer wird erklärt, wo sich ein Element auf dem Bildschirm befindet. Hinweise sind keiner Warnstufe zugeordnet.

# Hervorhebungskonventionen

Die folgenden Hervorhebungskonventionen werden verwendet:

Konvention	Beschreibung
<b>Fett</b>	Dieser Schriftstil wird für Namen, z. B. von Fenstern, Schaltflächen und Bezeichnungen verwendet, die auf dem Bildschirm angezeigt werden (Beispiel: das Fenster <b>Alarms Browser</b> ). Wenn klar ist, dass beispielsweise eine Schaltfläche gemeint ist, wird nur der Name verwendet (Beispiel: Klicken Sie auf <b>OK</b> ).
Monospacing font in bold	Dieser Schriftstil wird für Wörter verwendet, die genau so eingegeben werden müssen, wie sie im Text erscheinen (Beispiel: Geben Sie im Feld <b>Address</b> <code>http://ucs01.ucs:9080/</code> ein).
Festbreitenschriftart	Diese Schriftart wird für Meldungen, Eingabeaufforderungen und anderen auf dem Bildschirm angezeigten Text verwendet (Beispiel: A new trap destination has been added).
<b>&lt;Festbreitenschriftart in kursivem Fettdruck&gt;</b>	Dieser Schriftstil wird für Wörter in spitzen Klammern als Platzhalter verwendet, die durch ein bestimmtes Mitglied der Gruppe, für die die Wörter stehen, ersetzt werden sollen (Beispiel: <b>&lt;Routeranzahl&gt;</b> ).   <b>HINWEIS:</b> Wenn Sequenzen einzugeben sind, werden die spitzen Klammern weggelassen, um Unklarheiten zu vermeiden, ob die spitzen Klammern mit dem Text einzugeben sind oder nicht.
CAPITAL LETTERS	Dieser Schriftstil wird für Tastaturtasten verwendet (Beispiel: Drücken Sie Y und dann ENTER).
<i>Kursiv</i>	Dieser Schriftstil wird für Quellenangaben und Zitate verwendet. Bei einem Zitat handelt es sich normalerweise um den Namen eines Dokuments oder um einen Satz aus einem anderen Dokument (Beispiel: <i>Überblick über das DIMETRA IP-Systemportfolio</i> ).
→	Ein → (nach rechts zeigender Pfeil) wird zur Angabe der Menü- oder Registerkartenstruktur in Anweisungen zum Auswählen eines bestimmten Menüpunkts (Beispiel: <b>File</b> → <b>Save</b> ) oder einer bestimmten Unterregisterkarte verwendet.

# Inhalt

<b>Hinweise zu geistigem Eigentum und gesetzlichen Bestimmungen.....</b>	<b>2</b>
<b>Kontakt.....</b>	<b>4</b>
<b>Verwendete Symbole.....</b>	<b>5</b>
<b>Hervorhebungsconventionen.....</b>	<b>6</b>
<b>Wichtige Sicherheitsanweisungen.....</b>	<b>8</b>
<b>Sicherheitsrichtlinien für den Betrieb.....</b>	<b>9</b>
<b>Kapitel 1: Homestation – Übersicht.....</b>	<b>10</b>
1.1 Relaisspezifikation.....	12
<b>Kapitel 2: Autorisierte Kits.....</b>	<b>13</b>
2.1 Von Motorola Solutions autorisierter Akku.....	13
2.2 Von Motorola Solutions autorisiertes Netzteil.....	13
2.3 Von Motorola Solutions autorisiertes Programmier-USB-Kabel.....	13
2.4 Von Motorola Solutions autorisierte Antenne.....	14
2.4.1 Andere Antennen.....	14
2.5 Weiteres von Motorola Solutions autorisiertes Zubehör.....	14
<b>Kapitel 3: Betriebsanweisungen.....</b>	<b>16</b>
3.1 Aufladen des Pagers.....	16
3.2 Einhändiges Entfernen.....	18
3.3 Installieren der Antenne.....	18
3.4 Crimpen der Hülsen.....	19
3.5 Verbinden des Alarmsystems mit der Homestation.....	19
3.6 Trennen des Alarmsystems von der Homestation.....	20

# Wichtige Sicherheitsanweisungen

Dieses Dokument enthält wichtige Sicherheits- und Betriebsanweisungen. Lesen Sie diese Anweisungen sorgfältig durch, und bewahren Sie sie für eine spätere Verwendung auf.

Lesen Sie vor der Verwendung der Homestation sämtliche Anweisungen und Warnhinweise auf der Homestation, dem Akku und dem Pager, der diesen Akku verwendet.



## **WARNUNG:**

- Ziehen Sie das Kabel der Homestation aus der Steckdose am Stecker heraus. Ziehen Sie nicht am Kabel selbst, um das Risiko einer Beschädigung des elektrischen Steckers oder des Kabels zu minimieren.
- Um das Risiko von Feuer oder Stromschlägen zu minimieren, vermeiden Sie die Verwendung eines Verlängerungskabels.
- Um das Risiko von Feuer, Stromschlägen oder Verletzungen zu minimieren, verwenden Sie die Homestation nicht in defektem oder beschädigtem Zustand. Wenden Sie sich an einen qualifizierten Kundendienstmitarbeiter von Motorola Solutions.
- Bauen Sie die Homestation nicht auseinander. Es kann nicht repariert werden, und es sind keine Ersatzteile verfügbar. Die Demontage der Homestation kann zu Feuer oder Stromschlägen führen.
- Ziehen Sie das Kabel der Homestation vor einer Wartung oder Reinigung aus der Steckdose, um Stromschläge zu vermeiden.
- Um die Verletzungsgefahr zu minimieren, laden Sie nur zugelassene Akkus auf. Andere Akkus können explodieren sowie Personen- und Sachschäden verursachen.
- Um das Risiko von Feuer, Stromschlägen oder Verletzungen zu minimieren, verwenden Sie nur das von Motorola Solutions empfohlene Zubehör.
- Dies ist ein Produkt der Klasse A. Dieses Produkt kann in Haushalten Pager-Störungen verursachen. Ergreifen Sie geeignete Maßnahmen, um Störungen zu vermeiden.

# Sicherheitsrichtlinien für den Betrieb

- Dieses Gerät ist nicht für die Verwendung im Freien geeignet. Verwenden Sie das Gerät nur in trockenen Umgebungen/Bedingungen.
- Die maximale Umgebungstemperatur um das Ladegerät darf 40 °C (104 °F) nicht übersteigen.
- Stellen Sie sicher, dass der Pager trocken ist, bevor Sie ihn in die Homestation einsetzen.
- Schließen Sie das Gerät nur an eine ordnungsgemäß gesicherte und verkabelte Steckdose mit korrekter Spannung, entsprechend den Angaben auf dem Gerät, an.
- Trennen Sie das Ladegerät von der Netzspannung durch Abziehen des Netzsteckers.
- Die Steckdose, an die das Netzkabel angesteckt ist, sollte sich in der Nähe befinden und leicht zugänglich sein.
- In Geräten mit Sicherungen müssen Ersatzteile in Typ und Schutzart den in der Ausrüstungsbeschreibung angegebenen Werten entsprechen.
- Das Gerät muss an eine nahe gelegene und leicht zugängliche Steckdose angeschlossen werden.
- Die Ausgangsleistung der Stromversorgungseinheit darf nicht höher sein als die Werte auf dem Produktetikett, das sich an der Unterseite der Homestation befindet.
- Vergewissern Sie sich, dass das Kabel so verlegt ist, dass niemand darauf treten oder darüber stolpern kann. Des Weiteren darf es weder mit Wasser in Berührung kommen, Zugkräften ausgesetzt oder beschädigt werden.

## Kapitel 1

# Homestation – Übersicht

Die TETRA TPG2200 Pager-Homestation ist ein Ladegerät und eine Dockingstation für den TPG2200 Pager.



**HINWEIS:**

Der Begriff „Funkgerät“ in diesem Handbuch bezieht sich ebenfalls auf Pager und andere Funkkommunikationsgeräte.

Es gibt zwei Kit-Varianten der TETRA TPG2200 Pager-Homestation: PMPN4142\_ und PMPN5002\_. Das Kit PMPN4142\_ wird mit einer Antenne mit 380–430 MHz geliefert, während das Kit PMPN5002\_ Kit über eine Antenne mit 440–470 MHz verfügt. Beide Kits enthalten eine Ladegerät-Dockingstation, ein Netzteil, einen Abstandshalter und vier Hülsen. Die Homestation meldet den Empfang von Nachrichten, die über den Pager eingegangen sind, wenn sich dieser in der Dockingstation befindet, und dient als Relaisanschluss zum hausinternen Alarmsystem. Die Warn-LED leuchtet weiß, wenn neue Nachrichten empfangen wurden.

**Abbildung 1: Homestation**



Abbildung 2: Homestation – Übersicht

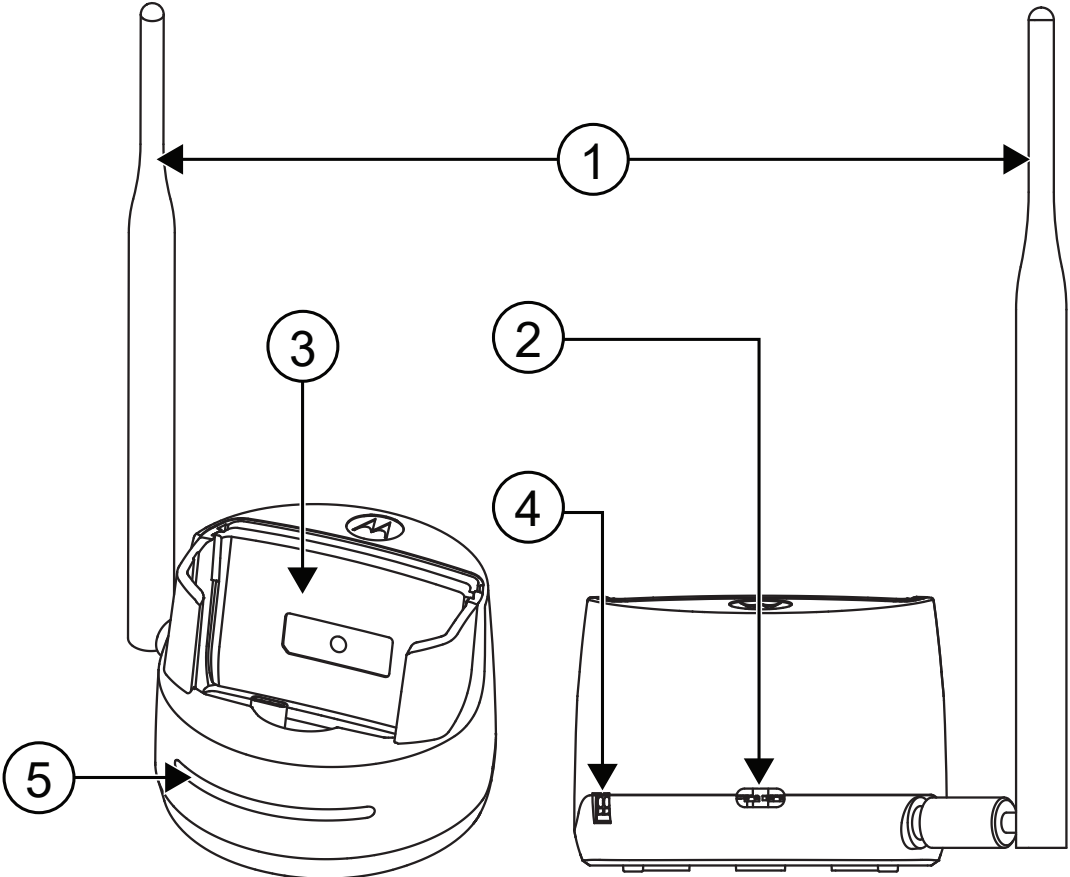
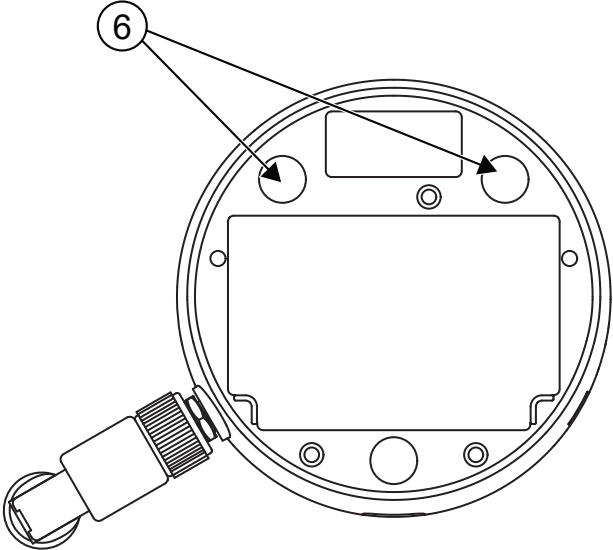




Abbildung 3: Abflusslöcher



Element	Beschreibung
1	SMA-Peitschenantenne mit Drehfunktion
2	USB-C-Anschluss
3	Abstandhalter  <b>HINWEIS:</b> Der mit der Homestation gelieferte Abstandhalter ist für die Verwendung mit dem Akku mit Standardkapazität gedacht (Teilenummer des Abstandhalter-Kits: HN001086A02). Ersetzen Sie beim Laden des Hochleistungsakkus PMNN4586_ den Abstandhalter durch den dünneren Abstandhalter (Teilenummer HN001086A01), der zusammen mit der Akkufachabdeckung für den Hochleistungsakku PMHN4463_ geliefert wird.
4	Relaisanschluss
5	Warn-LED
6	Decken Sie die Abflusslöcher nicht ab.

 **HINWEIS:** Folgendes gilt nur, wenn sich der Pager in der Homestation befindet und die Stromversorgung eingeschaltet ist:

- Der Dockingstation-Status des Pagers wird erkannt.
- Der Pager ist aufgeladen.
- Warn-LED, Relaisanschluss und externe Antenne der Homestation sind aktiviert.

## 1.1

# Relaisspezifikation

Dieser Abschnitt enthält die technischen Daten des Relais.

- Nennschaltleistung (Widerstandslast): 2 A 30 VDC, 0,5 A 125 VAC.
- Maximale Schaltleistung (Widerstandslast): 60 W, 62,5 VA.
- Maximale Schaltspannung: 220 VDC, 125 VAC



## Kapitel 2

# Autorisierte Kits

In diesem Abschnitt sind die Kits aufgeführt, die für die Verwendung mit der Homestation autorisiert sind.

### 2.1

## Von Motorola Solutions autorisierter Akku

Die folgenden Akkus sind zur Verwendung mit der Homestation zugelassen. Laden Sie keine nicht zugelassenen Akkus auf.

**Tabelle 1: Von Motorola Solutions autorisierter Akku**

Kit-Nummer	Beschreibung
PMNN4510_	IMPRES™ 2 Lithium-Ionen-Akku 2300T
PMNN4586_	IMPRESTM 2 Lithium-Ionen-Akku 3600T

### 2.2

## Von Motorola Solutions autorisiertes Netzteil

Die folgenden Netzteile sind für die Verwendung mit der Homestation autorisiert.

**Tabelle 2: Von Motorola Solutions autorisiertes Netzteil**

Kit-Nummer	Beschreibung
PS000150A22	Universal-Wandadapter (Europa) für Netzteil (240 V AC), 5 VDC/1,5 A L6 USB-C (1 m Kabellänge)
PS000150A52	Universal-Wandadapter (Europa) für Netzteil (240 V AC), 5 VDC/1,5 A L6 USB-C (1,8 m Kabellänge)



**HINWEIS:**

Verwenden Sie nur von Motorola genehmigte Ladegeräte und Kabel, diese bieten eine optimale Leistung. Die Verwendung anderer Ladegeräte kann zur unvollständigen Aufladung oder einer verringerten Lebensdauer des Akkus führen.

### 2.3

## Von Motorola Solutions autorisiertes Programmier-USB-Kabel

Das folgende Programmierkabel ist zur Verwendung mit der Homestation und dem Pager zugelassen. Weitere Informationen finden Sie im Produktinformationshandbuch für den Pager TPG2200.

**Tabelle 3: Von Motorola Solutions autorisiertes Programmier-USB-Kabel**

Teilenummer	Beschreibung
PMKN4196_	<ul style="list-style-type: none"><li>• USB 2.0</li><li>• Typ-A-Anschluss (PC-kompatibel) und Typ-C-Stecker.</li></ul>



**HINWEIS:**

Die Verwendung eines falschen Kabels wirkt sich auf die Leistung der Homestation und des Pagers aus.

## 2.4

# Von Motorola Solutions autorisierte Antenne

Die folgende Antenne ist zur Verwendung mit der Homestation zugelassen.

**Tabelle 4: Von Motorola Solutions autorisierte Antenne**

Kit-Nummer	Beschreibung
PMAE4108_	<ul style="list-style-type: none"><li>• Eine Peitschenantenne mit Drehfunktion und SMA-Stecker/-Steckverbinder.</li><li>• Eine 50-Ohm-Antenne, die im Frequenzband von 380 MHz bis 430 MHz betrieben wird.</li></ul>
PMAE4114_	<ul style="list-style-type: none"><li>• Eine Peitschenantenne mit Drehfunktion und SMA-Stecker/-Steckverbinder.</li><li>• Eine 50-Ohm-Antenne, die im Frequenzband von 440 MHz bis 470 MHz betrieben wird.</li></ul>

### 2.4.1

## Andere Antennen

Sie können andere Antennen mit einer ähnlichen Beschreibung wie in [Tabelle 4: Von Motorola Solutions autorisierte Antenne auf Seite 14](#) verwenden.

Um zur externen Antenne zu wechseln, wenn sich der Pager in der Dockingstation befindet, schalten Sie das Reiseladegerät (Stromversorgung) ein, damit die Homestation mit Strom versorgt wird. Wenn das Reiseladegerät ausgeschaltet ist, kann der Pager keine Verbindung zur externen Antenne herstellen, und der Pager verwendet seine interne Antenne zum Senden und Empfangen von Signalen.

## 2.5

# Weiteres von Motorola Solutions autorisiertes Zubehör

Das folgende Zubehör ist zur Verwendung mit der Homestation zugelassen.

**Tabelle 5: Weiteres von Motorola Solutions autorisiertes Zubehör**

<b>Kit-Nummer</b>	<b>Beschreibung</b>
HN001086A01	Abstandhalter, dünn Zur Verwendung mit dem Hochleistungsakku (PMNN4586_) beim Laden mit der Homestation.
HN001086A02	Abstandhalter Zur Verwendung mit dem Akku mit Standardkapazität (PMNN4510_) beim Laden mit der Homestation.

## Kapitel 3

# Betriebsanweisungen

Die Homestation ist ausschließlich für die Verwendung mit einem autorisierten Motorola Solutions Akku und Netzteil vorgesehen. Die Verwendung von nicht zugelassenen Produkten kann einen ordnungsgemäßen Betrieb beeinträchtigen und das Gerät beschädigen.

## 3.1

### Aufladen des Pagers

Das Fach der Homestation bietet Platz für einen Pager mit eingesetztem Akku.

#### **Wann und wo zu verwenden:**

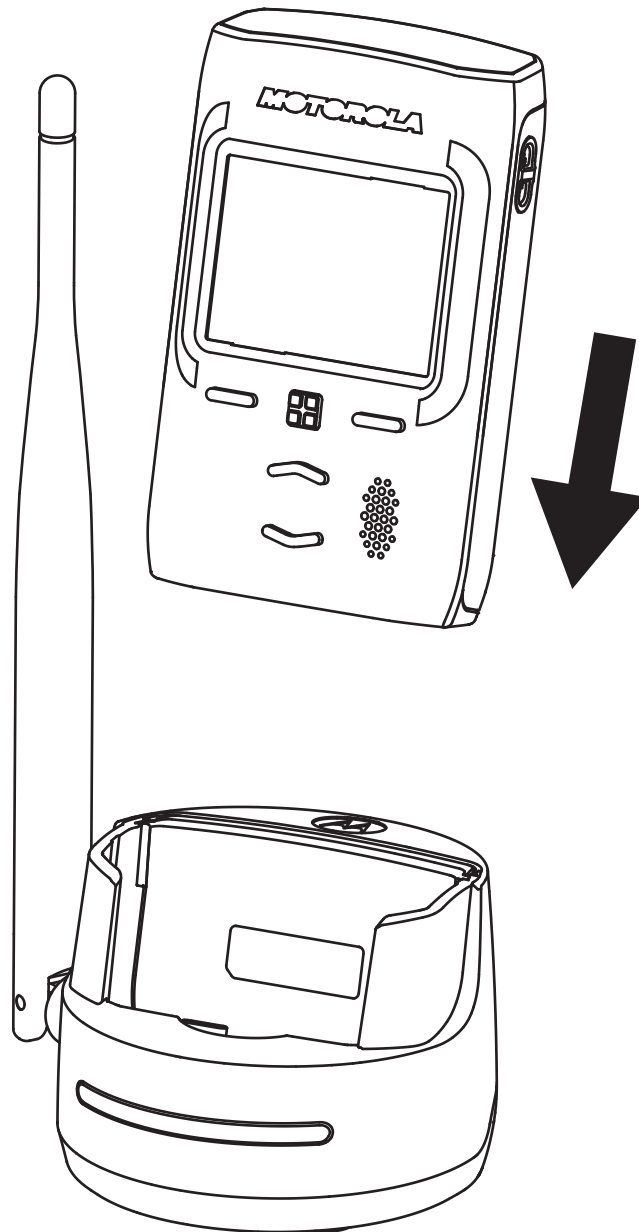
Um eine vollständige Aufladung zu gewährleisten, wird empfohlen, den neuen Akku über Nacht aufzuladen. Schalten Sie den Pager aus, um die Ladezeit zu verkürzen.

Wenn Sie den Pager mit eingesetztem Akku aufladen, führen Sie die folgenden Schritte aus:

#### **Vorgehensweise:**

1. Platzieren Sie die Homestation auf einem ebenen Untergrund.
2. Schließen Sie das Netzteil an den USB-C-Anschluss auf der Rückseite der Homestation an.
3. Schließen Sie das Netzteil an eine Steckdose an.
4. Setzen Sie den Pager mit Akku in die Homestation ein.
  - a. Richten Sie die Seite der Homestation auf jeder Seite des Pagers entsprechend aus.
  - b. Schieben Sie den Pager in das Homestation-Fach, und achten Sie dabei darauf, dass die USB-C-Anschlusskontakte zwischen Homestation und Pager vollständig verbunden sind.

**Abbildung 4: Einsetzen des Pagers**



Wenn der Pager ordnungsgemäß im Homestation-Fach eingesetzt ist, zeigt der Pager die Meldung `Homestation verbunden an`.



**HINWEIS:**

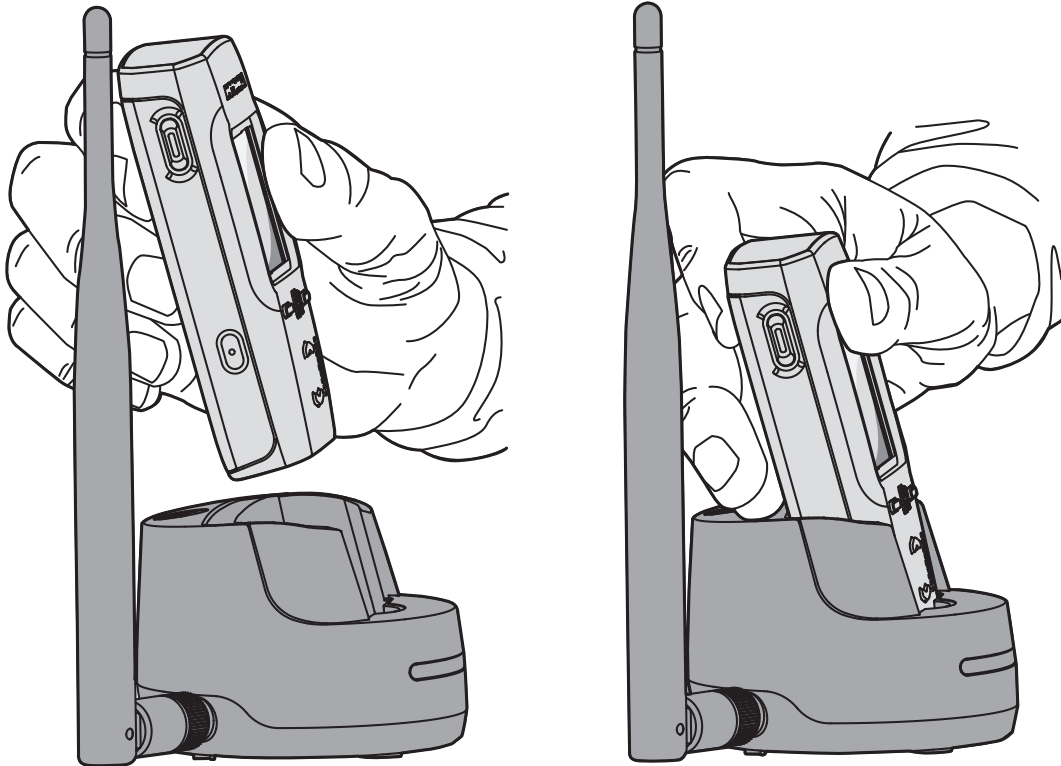
Beim Einsetzen des Pagers in die Dockingstation ist sicherzustellen, dass der Abstandhalter entsprechend im Homestation-Fach platziert wurde.

### 3.2

## Einhändiges Entfernen

Dieser Abschnitt enthält Informationen zum Entfernen mit einer Hand.

**Abbildung 5: Einhändiges Entfernen**



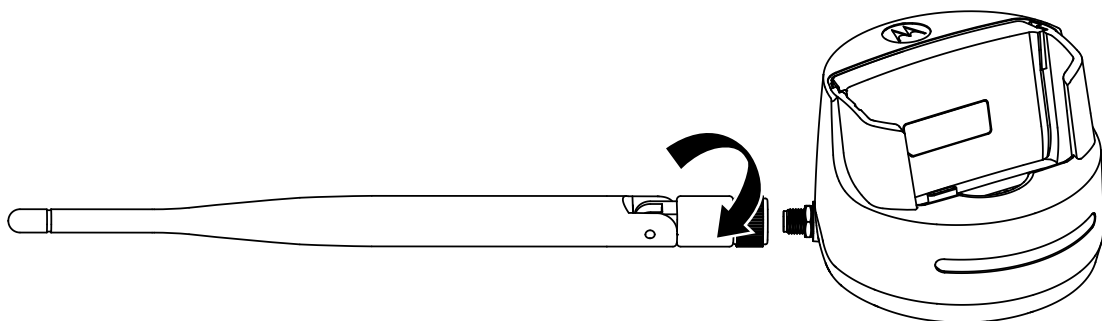
### 3.3

## Installieren der Antenne

**Vorgehensweise:**

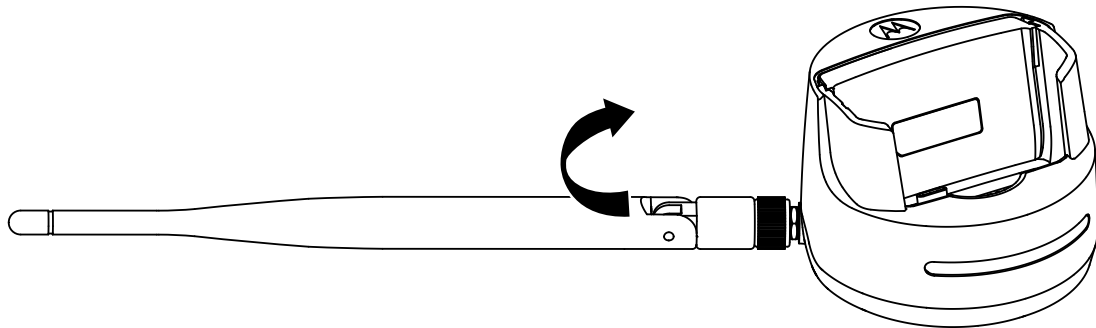
1. Schrauben Sie die Antenne fest.

**Abbildung 6: Installieren der Antenne**



2. Biegen der Antenne.

Abbildung 7: Biegen der Antenne



**HINWEIS:**

Um eine bessere Leistung zu erzielen, biegen Sie die Antenne zur Anpassung an die Umgebung in eine vertikale Position.

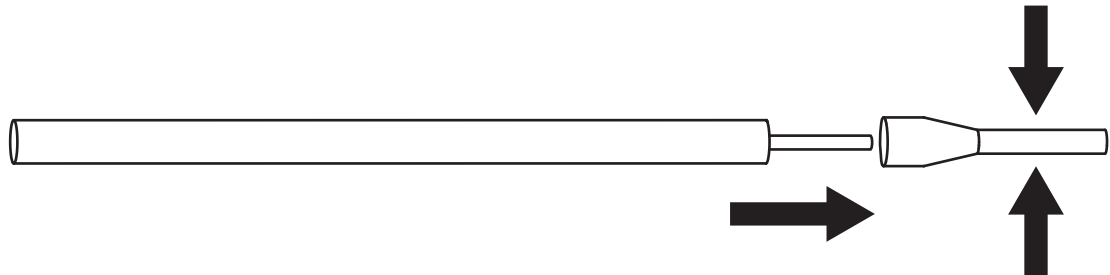
3.4

## Crimpen der Hülsen

**Vorgehensweise:**

1. Ziehen Sie die Hülle vom Kabelbaum des Alarmsystems ab.
2. Führen Sie sie in die bereitgestellten Hülsen ein, und crimmen sie diese mit einem Crimpwerkzeug.

Abbildung 8: Crimpen der Hülsen.



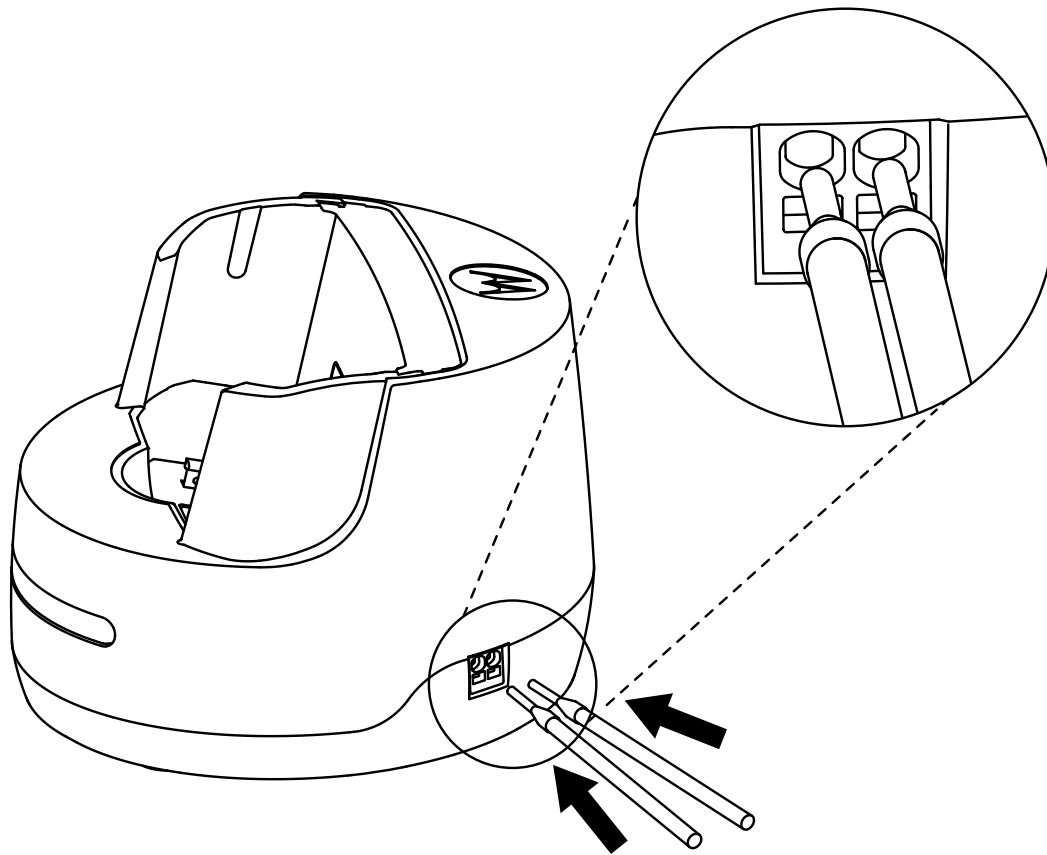
3.5

## Verbinden des Alarmsystems mit der Homestation

**Vorgehensweise:**

Führen Sie die Drähte mit den gecrimpten Hülsen in jede der beiden oberen Bohrungen des Relaisanschlusses ein.

**Abbildung 9: Einführen der Hülsen in den Relaisanschluss**



### 3.6

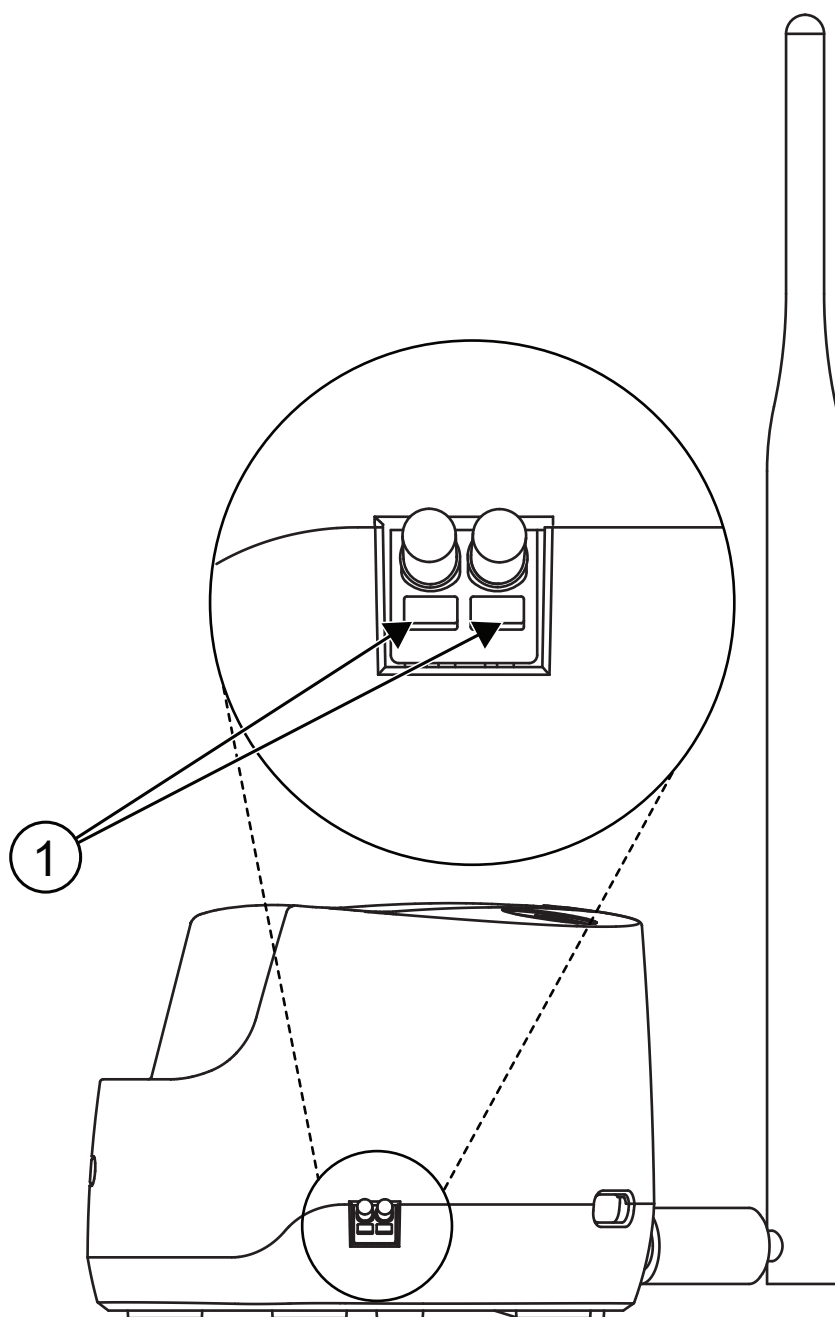
## Trennen des Alarmsystems von der Homestation

#### Vorgehensweise:

1. Um die externen Alarmdrähte zu entfernen, verwenden Sie eine Nadelzange oder etwas Ähnliches, und aktivieren Sie damit die Regler am Relaisanschluss.
2. Ziehen Sie die Drähte heraus, wenn die Regler aktiviert sind.



Abbildung 10: Die Regler am Relaisanschluss



Element	Beschreibung
1	Regler

# Base de carga del localizador y radio bidireccional TETRA Advisor™ TPG2200



# Propiedad intelectual y avisos normativos

## Copyright

Los productos de Motorola Solutions descritos en el presente documento pueden incluir programas informáticos de Motorola Solutions protegidos por derechos de copyright. Las leyes de Estados Unidos y otros países garantizan determinados derechos exclusivos a Motorola Solutions sobre los programas informáticos protegidos por copyright. Por consiguiente, ningún programa informático de Motorola Solutions protegido por copyright incluido en los productos de Motorola Solutions descritos en este documento podrá copiarse ni reproducirse de ninguna forma sin el consentimiento expreso por escrito de Motorola Solutions.

Este documento no se podrá reproducir, transmitir, almacenar en un sistema de recuperación o traducir a ningún idioma o lenguaje informático, independientemente del formato o el medio, en su totalidad o en parte, sin el consentimiento previo por escrito de Motorola Solutions, Inc.

## Marcas comerciales

MOTOROLA, MOTO, MOTOROLA SOLUTIONS, and the Stylized M Logo are trademarks or registered trademarks of Motorola Trademark Holdings, LLC and are used under license. All other trademarks are the property of their respective owners.

## Derechos de licencia

La adquisición de los productos de Motorola Solutions no garantiza, ya sea de forma implícita o explícita, por impedimento legal o de la forma que fuese, ningún tipo de licencia con respecto a los derechos de autor, las patentes o las solicitudes de patentes de Motorola Solutions, excepto en los casos de uso de licencias normales no excluyentes sin regalías derivados de la aplicación de la ley en la venta de un producto.

## Contenido de código abierto

Este producto puede contener software de código abierto utilizado bajo licencia. Consulte los medios de instalación del producto para ver el contenido completo sobre avisos legales de código abierto y atribución.

## Directiva sobre residuos de aparatos eléctricos y electrónicos (RAEE) de la Unión Europea y Reino Unido



La directiva de la Unión Europea y la regulación de Reino Unido sobre residuos de aparatos eléctricos y electrónicos (RAEE) requieren que los productos que se vendan en los países de la UE y Reino Unido tengan el símbolo de la papelera tachada en la etiqueta del producto y, en algunos casos, en el embalaje. De acuerdo con lo establecido en la directiva RAEE, el símbolo de la papelera tachada significa que los clientes y los usuarios finales residentes en la UE y Reino Unido no deben desechar equipos ni accesorios eléctricos o electrónicos como residuos domésticos.

Los clientes o los usuarios finales de los países de la UE y Reino Unido deben ponerse en contacto con el representante del proveedor o servicio local del equipo para obtener información sobre el sistema de recogida de desechos de su país.

## Descargo de responsabilidad

Tenga en cuenta que determinadas características, funciones y prestaciones descritas en este documento podrían no ser aplicables a un sistema específico o incluirse en la licencia de uso de este; también pueden depender de las características particulares de la unidad de abonado móvil específica o de la configuración

de ciertos parámetros. Póngase en contacto con su distribuidor o representante de Motorola Solutions para obtener más información.

© 2023 Motorola Solutions, Inc. All Rights Reserved

# Contacto

El servicio de operaciones de asistencia gestionadas centralizadas (CMSO) es el principal contacto para la asistencia técnica que incluye el acuerdo de servicio de su empresa con Motorola Solutions.

Los clientes con acuerdo de servicio deben llamar al CMSO en todas las situaciones indicadas en la sección de responsabilidades del cliente del acuerdo como, por ejemplo:

- Para confirmar los análisis y los resultados de la resolución de problemas antes de realizar una acción

Su organización habrá recibido los números de teléfono de asistencia y otra información de contacto correspondiente a su región geográfica y su acuerdo de servicio. Utilice esta información de contacto para obtener la respuesta más eficiente. Si fuera necesario, también puede encontrar información general de contacto con el centro de asistencia en el sitio web de Motorola Solutions. Para acceder a este, siga estos pasos:

1. Introduzca [motorolasolutions.com](https://motorolasolutions.com) en su navegador.
2. Asegúrese de que el país o la región de su empresa se muestran en la página. Para cambiarla, solo tiene que seleccionar el nombre de la región.
3. Seleccione "Support" en la página [motorolasolutions.com](https://motorolasolutions.com).

## Comentarios

Envíe las preguntas y comentarios relacionados con la documentación de usuario a [documentation@motorolasolutions.com](mailto:documentation@motorolasolutions.com).

Si desea notificar un error en la documentación, proporcione la siguiente información:

- El título del documento y el número de referencia
- El número de página o el título de la sección con el error
- Una descripción del error

Motorola Solutions ofrece varios cursos diseñados para ayudarle a aprender más sobre el sistema. Si desea obtener más información, vaya a <https://learning.motorolasolutions.com> para consultar la oferta de cursos y trayectorias tecnológicas actuales.

# Convenciones de iconos

El conjunto de documentación está diseñado para proporcionar al lector instrucciones visuales. En este conjunto de documentación se utilizan los siguientes iconos gráficos.



**PELIGRO:**

La palabra PELIGRO y el icono de seguridad asociado indican información que, en caso de ser ignorada, puede producir lesiones graves, incluso la muerte.



**ADVERTENCIA:**

La palabra ADVERTENCIA y el icono de seguridad asociado indican información que, en caso de ser ignorada, puede dar como resultado lesiones graves, incluso la muerte, o un daño grave del producto.



**PRECAUCIÓN:**

La palabra PRECAUCIÓN y el icono de seguridad asociado indican información que, en caso de ser ignorada, puede dar como resultado lesiones leves o moderadas, o bien un daño grave del producto.



**PRECAUCIÓN:**

La palabra PRECAUCIÓN puede usarse sin el icono de seguridad para indicar riesgo de daños o lesiones no relacionados directamente con el producto.



**IMPORTANTE:**

Los comentarios con la palabra IMPORTANTE contienen información crucial para el tema en cuestión, pero no implican ningún aviso de PRECAUCIÓN o ADVERTENCIA. No hay niveles de advertencia asociados a los comentarios con la palabra IMPORTANTE.




**NOTA:**

Los comentarios marcados con AVISO contienen información más importante que el texto que los rodea, como excepciones o condiciones previas. Además, remiten al lector a otro lugar para obtener información adicional, recuerdan al lector cómo realizar una acción si, por ejemplo, no es parte del procedimiento actual, o le informan de la ubicación de los elementos en la pantalla. No hay niveles de advertencia asociados a los avisos.

# Convenciones de estilo

Se usan las convenciones siguientes:

Convención	Descripción
<b>Negrita</b>	Este tipo de letra se utiliza, por ejemplo, para nombres de ventanas, botones y etiquetas cuando estos nombres aparecen en la pantalla (ejemplo: la ventana <b>Alarms Browser</b> ). Cuando está claro que se está haciendo referencia, por ejemplo, a un botón, el nombre se utiliza solo (ejemplo: Haga clic en <b>OK</b> ).
Monospacing font in bold	Este tipo de letra se utiliza para que las palabras se introduzcan exactamente tal y como aparecen en el texto (ejemplo: En el campo <b>Address</b> , escriba <code>http://ucs01.ucs:9080/</code> ).
Fuente monoespaciada	Este tipo de letra se emplea para mensajes, indicaciones y otro tipo de textos que se muestran en la pantalla del ordenador (ejemplo: <code>A new trap destination has been added</code> ).
<b>&lt;Fuente monoespaciada en negrita cursiva&gt;</b>	Este tipo de letra se utiliza con corchetes a modo de marcadores para un miembro específico del grupo al que representan dichas palabras (ejemplo: <code>&lt;número de router&gt;</code> ).   <b>NOTA:</b> Al introducir secuencias, se omiten los corchetes para evitar la confusión de si se deben incluir en el texto que se va a introducir.
CAPITAL LETTERS	Este tipo de letra se utiliza para las teclas del teclado (ejemplo: Pulse Y y, a continuación, pulse ENTER).
<i>Cursiva</i>	Este tipo de letra se utiliza para las citas. Por cita se entiende el nombre de un documento o una frase de otro documento (ejemplo: <i>Descripción general del sistema Dimetra IP</i> ).
→	El símbolo → (flecha apuntando hacia la derecha) se utiliza para indicar la estructura del menú o pestaña en instrucciones sobre cómo seleccionar un elemento de menú determinado (ejemplo: <b>File</b> → <b>Save</b> ) o una subpestaña específica.

# Contenido

<b>Propiedad intelectual y avisos normativos.....</b>	<b>2</b>
<b>Contacto.....</b>	<b>4</b>
<b>Convenciones de iconos.....</b>	<b>5</b>
<b>Convenciones de estilo.....</b>	<b>6</b>
<b>Instrucciones importantes de seguridad.....</b>	<b>8</b>
<b>Directrices de uso seguro.....</b>	<b>9</b>
<b>Capítulo 1: Descripción general de la base de carga.....</b>	<b>10</b>
1.1 Especificación del relé.....	12
<b>Capítulo 2: Kits autorizados.....</b>	<b>13</b>
2.1 Batería autorizada por Motorola Solutions.....	13
2.2 Fuente de alimentación autorizada por Motorola Solutions.....	13
2.3 Cable USB de programación autorizado por Motorola Solutions.....	13
2.4 Antena autorizada por Motorola Solutions.....	14
2.4.1 Otra antena.....	14
2.5 Otros accesorios autorizados por Motorola Solutions.....	14
<b>Capítulo 3: Instrucciones de uso.....</b>	<b>16</b>
3.1 Carga del localizador.....	16
3.2 Extracción con una sola mano.....	18
3.3 Instalación de la antena.....	18
3.4 Crimpado de los casquillos.....	19
3.5 Conexión del sistema de alarma a la base de carga.....	19
3.6 Desconexión del sistema de alarma de la base de carga.....	20



# Instrucciones importantes de seguridad

Este documento contiene instrucciones importantes sobre uso y seguridad. Lea estas instrucciones atentamente y guárdelas para poder consultarlas en un futuro.

Antes de usar la base de carga, lea todas las instrucciones y señales de precaución sobre la base de carga, la batería y el localizador que usa la batería.



## **ADVERTENCIA:**

- Para reducir el riesgo de daños en el cable de alimentación, tire del enchufe y no del cable al desconectar la base de carga.
- Para reducir el riesgo de incendio o descarga eléctrica, evite utilizar un cable de extensión.
- Para reducir el riesgo de incendio, descarga eléctrica o lesiones, no utilice la base de carga si está rota o dañada de algún modo. Llévelo a un representante del servicio técnico oficial de Motorola Solutions.
- No desmonte la base de carga. No es posible repararlo y no hay piezas de repuesto disponibles. Si desmonta la base de carga, hay riesgo de que se produzcan descargas eléctricas o incendios.
- Para evitar las descargas eléctricas, desenchufe la base de carga de la toma de CA antes de realizar cualquier tipo de actividad de mantenimiento o limpieza.
- Para reducir el riesgo de lesiones, cargue solo baterías recargables autorizadas. Otras baterías podrían explotar y causar lesiones personales y daños.
- Para reducir el riesgo de incendio, descarga eléctrica o lesiones, utilice únicamente los accesorios recomendados por Motorola Solutions.
- Este es un producto de clase A. En un entorno doméstico, este producto puede causar interferencias de localizador. Tome las medidas adecuadas para evitar interferencias.

## Directrices de uso seguro

- Este equipo no debe utilizarse en exteriores. Utilícelo solo en ubicaciones y condiciones secas.
- La temperatura ambiente máxima del entorno del cargador no debe superar los 40 °C (104 °F).
- Asegúrese de que el localizador esté seco antes de insertarlo en la base de carga.
- Conecte el equipo únicamente a una toma de CA con la tensión correcta y con los fusibles y el cableado adecuados (tal como se detalla en el producto).
- Extraiga el enchufe para desconectarlo de la toma de corriente.
- La toma de CA a la que se conecta el cable de alimentación debe estar cerca y ser fácilmente accesible.
- En los equipos con fusibles, los repuestos deben cumplir con los tipos y categorías detallados en las instrucciones del equipo.
- El equipo debe conectarse a una toma de corriente cercana y de fácil acceso.
- La potencia de salida de la fuente de alimentación no debe superar las especificaciones indicadas en la etiqueta del producto que se encuentra en la parte inferior de la base de carga.
- Asegúrese de que el cable está situado en un lugar en el que nadie pueda pisarlo ni tropezarse, ni en el que pueda quedar expuesto a líquidos, daños o tensión.

## Capítulo 1

# Descripción general de la base de carga

La base de carga del localizador TETRA TPG2200 es un cargador y una estación base para el localizador TPG2200.

**NOTA:**

El término radio utilizado en este manual también hace referencia al localizador y a otros dispositivos de comunicación por radio.

Hay dos variantes de kit de base de carga del localizador TETRA TPG2200: el kit PMPN4142\_ y el kit PMPN5002\_. El kit PMPN4142\_ incluye una antena de 380-430 MHz, mientras que el kit PMPN5002\_ viene con una antena de 440-470 MHz. Ambos kits incluyen una estación base de cargador, un adaptador de fuente de alimentación, un espaciador y cuatro casquillos. La base de carga proporciona alertas de los mensajes recibidos por el localizador cuando está en la base y actúa como conexión de relé con el sistema de alarma interno. El LED de alerta se ilumina en blanco cuando se reciben mensajes nuevos.

**Figura 1: Base de carga**



Figura 2: Descripción general de la base de carga

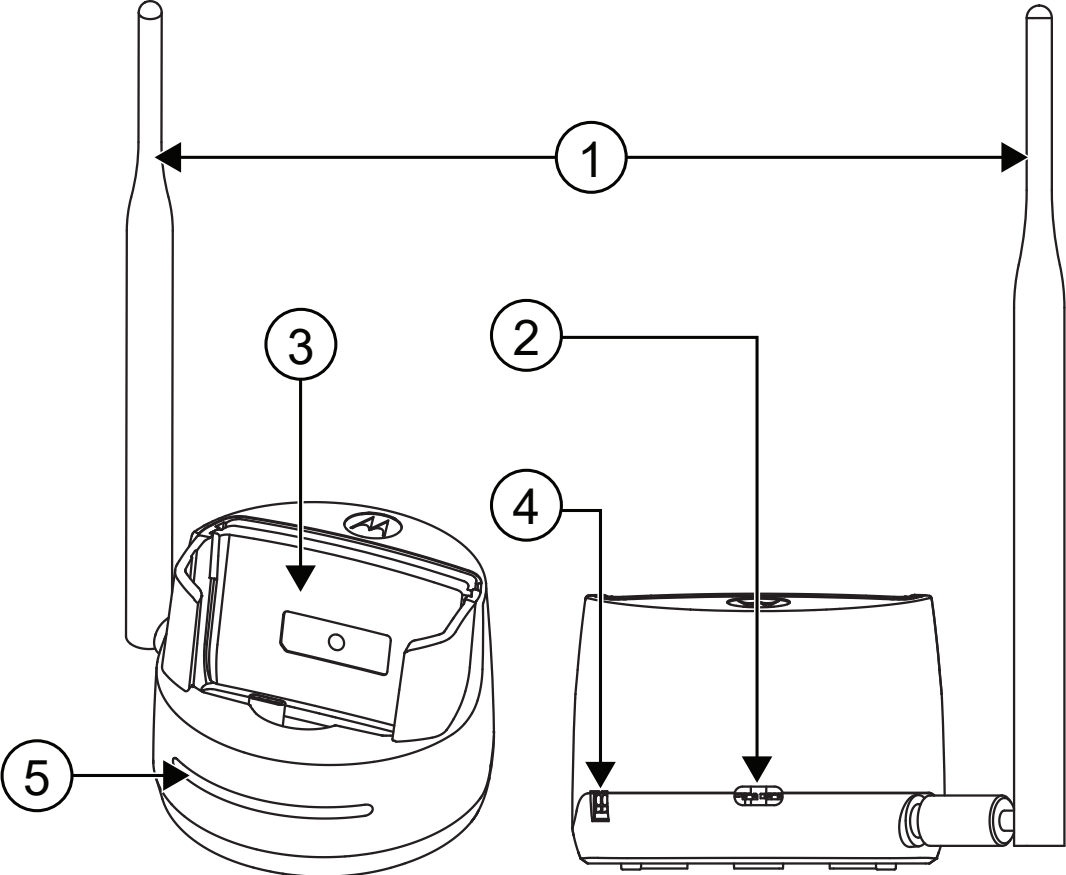
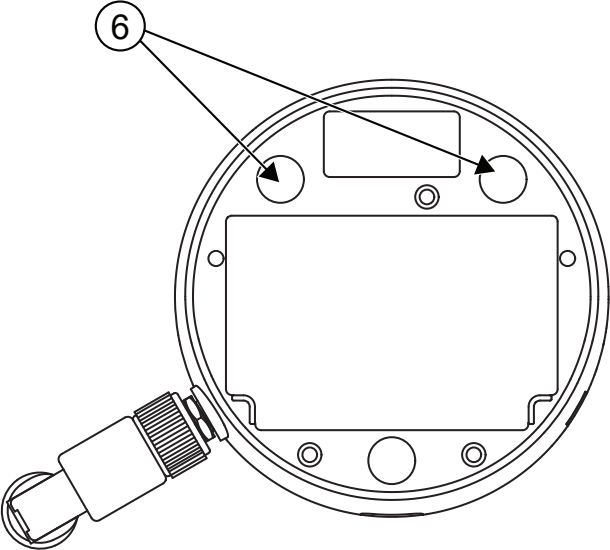



Figura 3: Orificios de drenaje



Elemento	Descripción
1	Antena de látigo giratoria SMA
2	Conector USB-C
3	Separador  <b>NOTA:</b> El separador proporcionado con la base de carga está diseñado para su uso con la batería de capacidad estándar (número de pieza del kit del separador: HN001086A02). Al cargar la batería de alta capacidad (PMNN4586_), sustituya el espaciador con el espaciador más fino (número de pieza: HN001086A01) proporcionado con el kit de cubierta de batería de alta capacidad (PMHN4463_).
4	Conector de relé
5	LED de alerta
6	No tape los orificios de drenaje.

**NOTA:**

Lo siguiente solo se produce cuando el localizador se encuentra en la base de carga y la fuente de alimentación está encendida:

- Se detecta el estado de acoplamiento del localizador.
- El localizador está cargado.
- El LED de alerta, el conector de relé y la antena externa de la base de carga están activados.

## 1.1

## Especificación del relé

En esta sección se indican las especificaciones del relé.

- Capacidad de conmutación nominal (carga resistiva): 2 A 30 V CC, 0,5 A 125 V CA.
- Potencia de conmutación máxima (carga resistiva): 60 W, 62,5 VA.
- Tensión de conmutación máxima: 220 V CC, 125 V CA.

## Capítulo 2

# Kits autorizados

En esta sección se enumeran los kits autorizados para su uso con la base de carga.

### 2.1

## Batería autorizada por Motorola Solutions

Las siguientes baterías están autorizadas para su uso con la base de carga. No intente cargar baterías que no estén aprobadas.

**Tabla 1: Batería autorizada por Motorola Solutions**

Número de kit	Descripción
PMNN4510_	Batería IMPRES™ 2 de iones de litio 2300T
PMNN4586_	Batería IMPRES 2 de iones de litio 3600T

### 2.2

## Fuente de alimentación autorizada por Motorola Solutions

Las siguientes fuentes de alimentación están autorizadas para su uso con la base de carga.

**Tabla 2: Fuente de alimentación autorizada por Motorola Solutions**

Número de kit	Descripción
PS000150A22	Adaptador universal para Europa de 240 V CA de pared de fuente de alimentación, 5 V CC/1,5 A L6 USB-C (cable de 1 metro)
PS000150A52	Adaptador universal para Europa de 240 V CA de pared de fuente de alimentación, 5 V CC/1,5 A L6 USB-C (cable de 1,8 metros)



**NOTA:**

Utilice solo cargadores y cables aprobados por Motorola Solutions para obtener un rendimiento óptimo. El uso de otros cargadores puede impedir la carga completa o reducir la vida útil de la batería.

### 2.3

## Cable USB de programación autorizado por Motorola Solutions

El siguiente cable de programación está aprobado para su uso con la base de carga y el localizador. Consulte el manual de información del producto del localizador TPG2200 para obtener más información.

**Tabla 3: Cable USB de programación autorizado por Motorola Solutions**

Número de pieza	Descripción
PMKN4196_	<ul style="list-style-type: none"><li>• USB 2.0</li><li>• Conector de tipo A (compatible con PC) y enchufe de tipo C.</li></ul>



**NOTA:**

Usar un cable incorrecto afecta al rendimiento de la base de carga y al localizador.

## 2.4

# Antena autorizada por Motorola Solutions

La siguiente antena está autorizada para su uso con la base de carga.

**Tabla 4: Antena autorizada por Motorola Solutions**

Número de kit	Descripción
PMAE4108_	<ul style="list-style-type: none"><li>• Antena de látigo giratoria con conector macho/enchufe SMA.</li><li>• Antena de 50 ohmios que funciona en la banda de frecuencias de 380 MHz a 430 MHz.</li></ul>
PMAE4114_	<ul style="list-style-type: none"><li>• Antena de látigo giratoria con conector macho/enchufe SMA.</li><li>• Antena de 50 ohmios que funciona en la banda de frecuencias de 440 MHz a 470 MHz.</li></ul>

### 2.4.1

## Otra antena

Puede utilizar otra antena con descripción similar enumerada en [Tabla 4: Antena autorizada por Motorola Solutions en la página 14](#).

Para cambiar a una antena externa cuando el localizador está acoplado, encienda el cargador de viaje (fuente de alimentación) que suministra energía a la base de carga. Si el cargador de viaje está apagado, el localizador no puede conectarse a la antena externa, por lo que utiliza su antena interna para transmitir y recibir señales.

## 2.5

# Otros accesorios autorizados por Motorola Solutions

Los siguientes accesorios están autorizados para su uso con la base de carga.

**Tabla 5: Otros accesorios autorizados por Motorola Solutions**

<b>Número de kit</b>	<b>Descripción</b>
HN001086A01	Separador (fino) Para su uso con la batería de alta capacidad (PMNN4586_) al cargar con la base de carga.
HN001086A02	Separador Para su uso con la batería de capacidad estándar (PMNN4510_) al cargar con la base de carga.



## Capítulo 3

# Instrucciones de uso

La base de carga está diseñada para usarse solo con la batería y la fuente de alimentación autorizadas por Motorola Solutions. El uso de productos no autorizados puede impedir el funcionamiento correcto y dañar el dispositivo.

### 3.1

## Carga del localizador

La base de carga admite un localizador con una batería conectada en el compartimento.

#### **Cuándo y dónde se puede utilizar:**

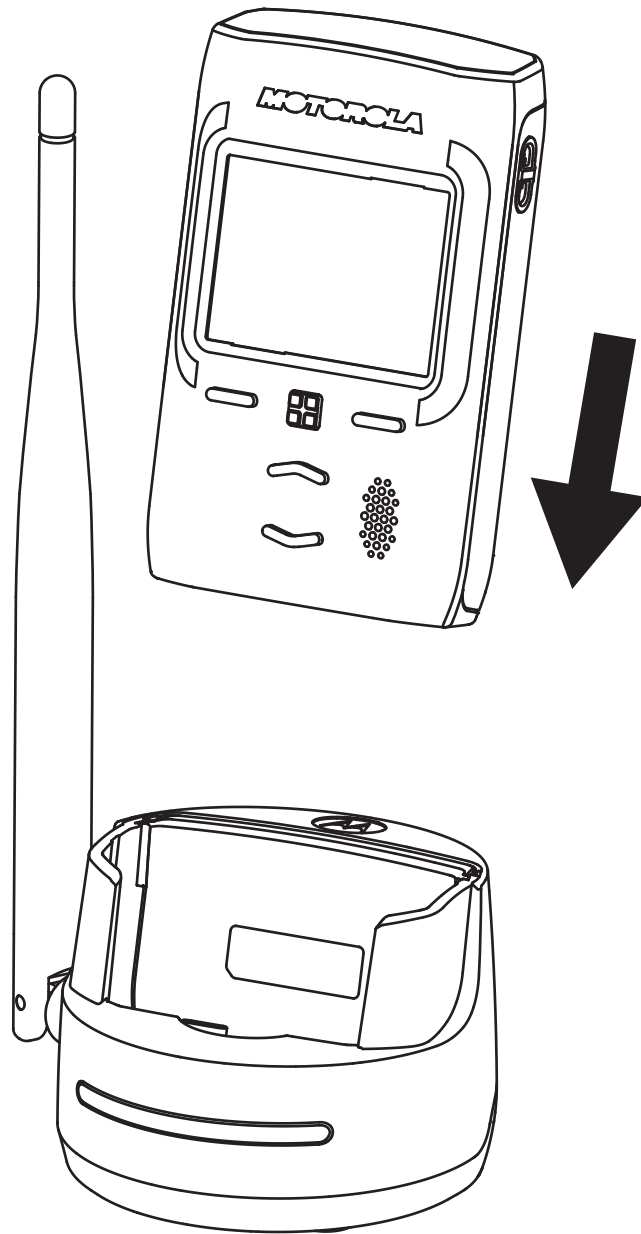
Para garantizar una carga completa, se recomienda cargar la batería nueva durante toda una noche. Para reducir el tiempo de carga, apague el localizador.

Para cargar el localizador con la batería conectada, realice lo siguiente:

#### **Procedimiento:**

1. Coloque la base de carga en una superficie plana.
2. Conecte el cable de la fuente de alimentación al conector USB-C situado en la parte posterior de la base de carga.
3. Conecte la fuente de alimentación a la toma de CA correspondiente.
4. Inserte un localizador con batería en el compartimento de la base de carga.
  - a. Alinee el lateral de la base de carga en cada lado del localizador con la pared correspondiente del compartimento.
  - b. Deslice el localizador en el compartimento de la base de carga y asegúrese de que todo el conector USB-C hace contacto entre la base de carga y el localizador.

**Figura 4: Acoplamiento del localizador**



Cuando el localizador esté correctamente colocado en el compartimento de la base de carga, mostrará Base de carga conectada.



**NOTA:**

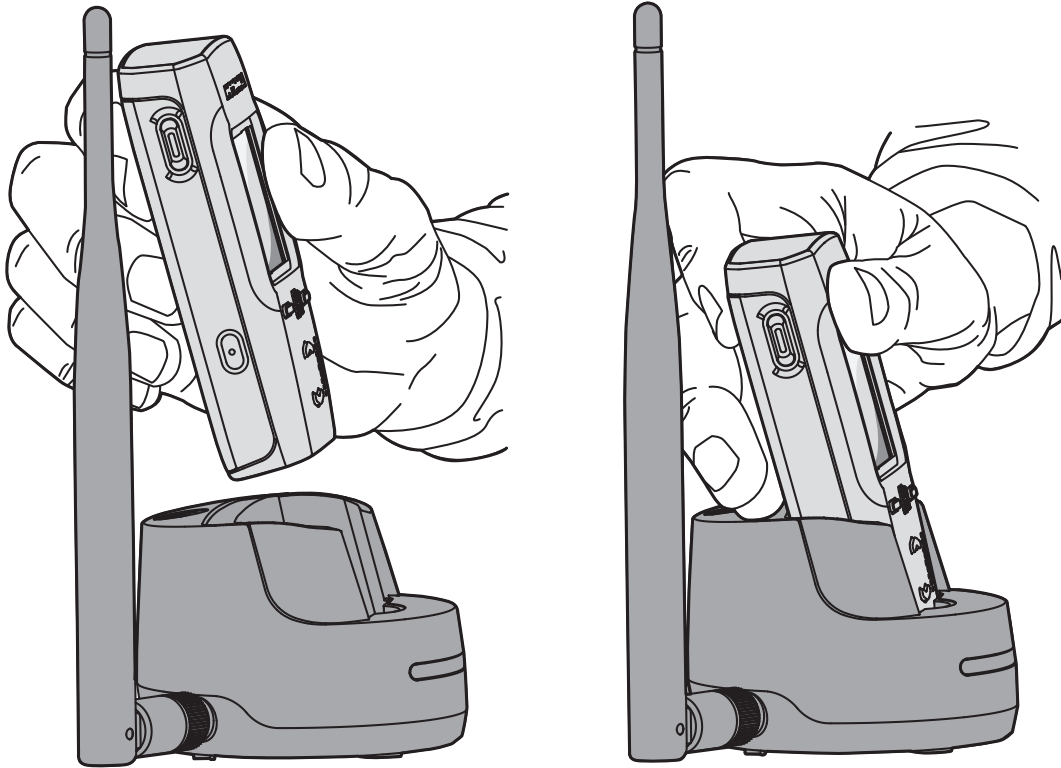
Al conectar el localizador, asegúrese de que el separador está en el compartimento de la base de carga.

### 3.2

## Extracción con una sola mano

En esta sección se proporciona información sobre la extracción con una sola mano.

**Figura 5: Extracción con una sola mano**



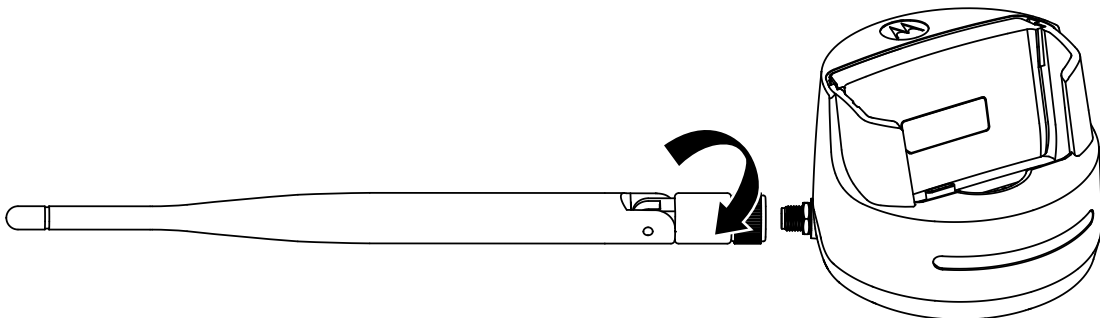
### 3.3

## Instalación de la antena

**Procedimiento:**

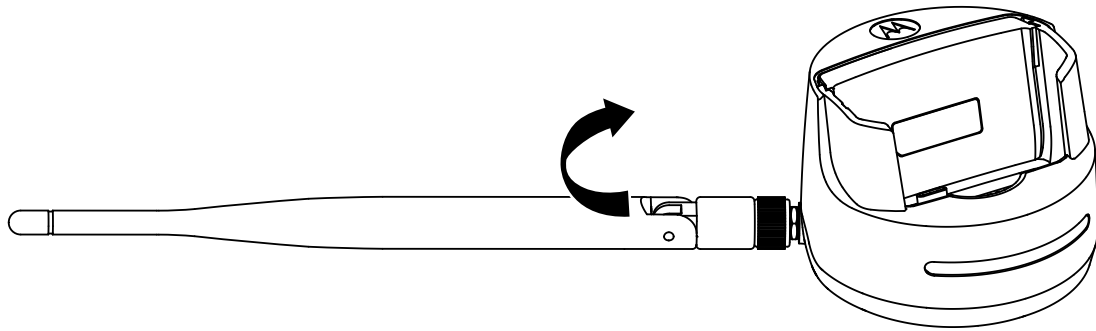
1. Atornille la antena.


**Figura 6: Instalación de la antena**



2. Curve la antena.

Figura 7: Curvado de la antena



 **NOTA:**  
Para obtener mejor rendimiento, curve la antena hasta una posición vertical para adaptarla al entorno.

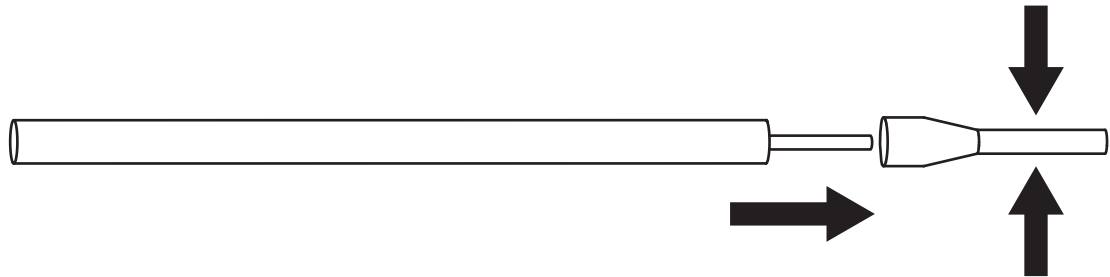
### 3.4

## Crimpado de los casquillos

### Procedimiento:

1. Pele el arnés de cables del sistema de alarma.
2. Insértelo en los casquillos proporcionados y crímpelo con una crimpadora.

Figura 8: Crimpado de los casquillos.



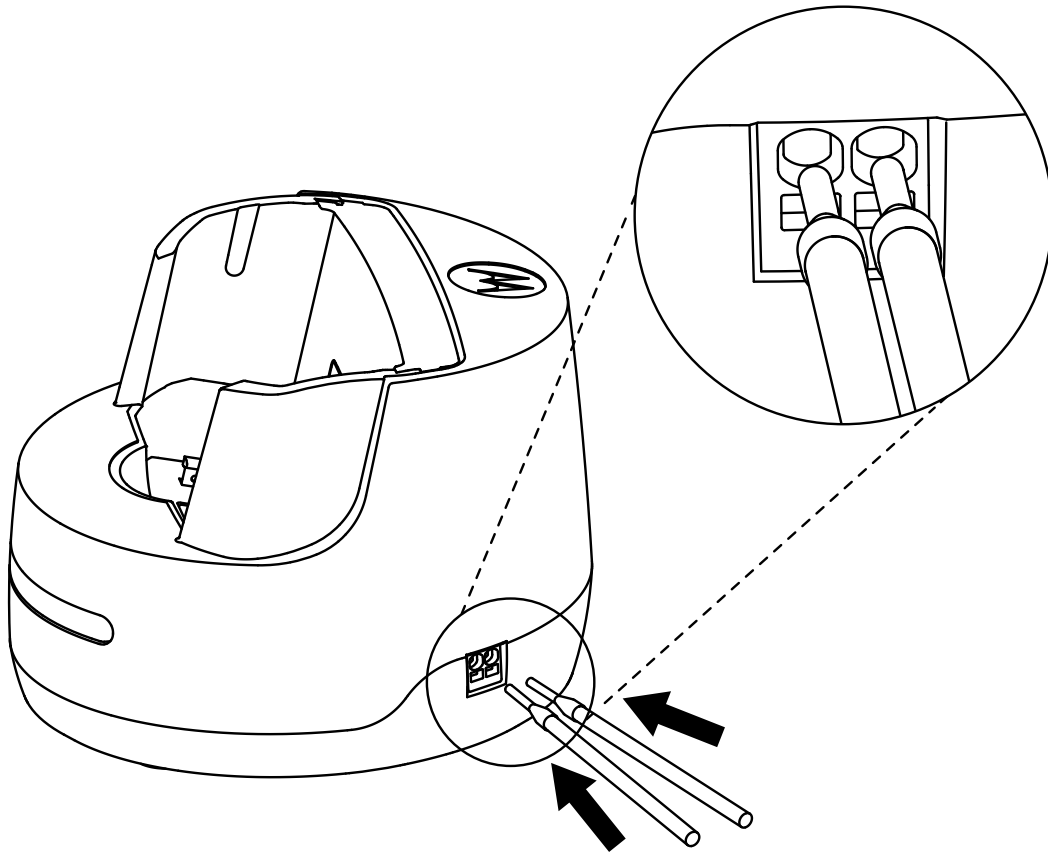
### 3.5

## Conexión del sistema de alarma a la base de carga

### Procedimiento:

Inserte los cables con los casquillos crimpados en cada uno de los dos orificios superiores del conector de relé.

**Figura 9: Inserción de los casquillos en el conector de relé**



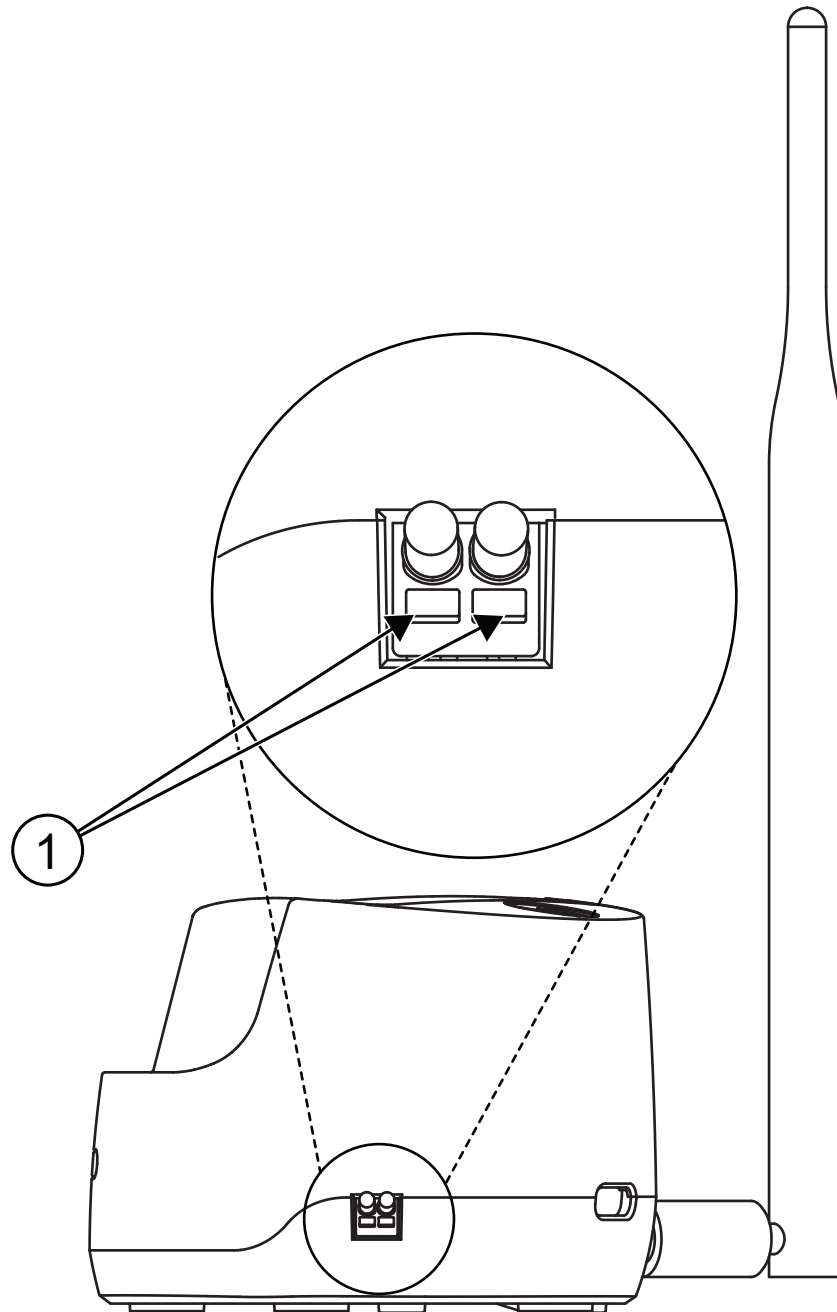
### 3.6

## Desconexión del sistema de alarma de la base de carga

### Procedimiento:

1. Para quitar los cables de la alarma externa, utilice un objeto de punta fina para accionar las palancas del conector de relé.
2. Una vez accionadas las palancas, tire de los cables hacia fuera.

Figura 10: Las palancas del conector de relé



Elemento	Descripción
1	Palancas

# Base del cercapersone ricetrasmittente TETRA Advisor™ TPG2200



# Proprietà intellettuale e avvisi sulla conformità

## Copyright

I prodotti Motorola Solutions descritti in questo documento possono includere programmi per computer Motorola Solutions protetti da copyright. Le leggi in vigore negli Stati Uniti e in altri Paesi garantiscono a Motorola Solutions determinati diritti esclusivi per i programmi per computer protetti da copyright. Pertanto, tutti i programmi per computer Motorola Solutions protetti da copyright e inclusi nei prodotti Motorola Solutions descritti nel presente documento non possono essere copiati o riprodotti in alcun modo senza l'esplicito consenso scritto di Motorola Solutions.

Nessuna parte di questo documento può essere riprodotta, trasmessa, memorizzata in un sistema di riproduzione o tradotta in qualunque lingua o linguaggio informatico, in qualsiasi forma o con qualsiasi mezzo, senza il previo consenso scritto da parte di Motorola Solutions, Inc.

## Marchi

MOTOROLA, MOTO, MOTOROLA SOLUTIONS, and the Stylized M Logo are trademarks or registered trademarks of Motorola Trademark Holdings, LLC and are used under license. All other trademarks are the property of their respective owners.

## Diritti di licenza

L'acquisto di prodotti Motorola Solutions non garantirà in modo esplicito o implicito, per preclusione o altro, alcuna licenza nell'ambito dei diritti d'autore, dei brevetti o delle richieste di brevetto di Motorola Solutions, tranne la normale licenza d'uso non esclusiva e senza royalty, derivante per legge dalla vendita di un prodotto.

## Contenuti open source

Questo prodotto può contenere software open source utilizzati su licenza. Fare riferimento al materiale di installazione del prodotto per consultare il testo completo delle attribuzioni e delle note legali sulle risorse open source.

## Direttiva dell'Unione europea (UE) e del Regno Unito (UK) sui rifiuti di apparecchiature elettriche ed elettroniche (RAEE)



La direttiva RAEE dell'Unione europea e la normativa WEEE del Regno Unito richiedono che sui prodotti venduti nei Paesi dell'UE e nel Regno Unito sia presente l'etichetta di un cassonetto dei rifiuti con ruote barrato (o, in alcuni casi, sulla confezione). Come stabilito dalla direttiva RAEE, l'etichetta di un cassonetto dei rifiuti con ruote barrato indica che i clienti e gli utenti finali dei Paesi dell'Unione europea e del Regno Unito non devono smaltire gli apparecchi elettronici ed elettrici o gli accessori insieme ai rifiuti domestici.

I clienti o gli utenti finali dei Paesi dell'Unione europea e del Regno Unito devono contattare il centro assistenza o il rappresentante del fornitore dell'apparecchiatura locale per ottenere informazioni sul sistema di raccolta dei rifiuti della zona.

## Esclusione di responsabilità

Tenere presente che determinate funzioni, strutture e funzionalità descritte nel presente documento potrebbero non essere applicabili o non possedere la licenza per l'utilizzo su un determinato sistema oppure



potrebbero dipendere dalle caratteristiche di una specifica configurazione di determinati parametri o unità del terminale radio mobile. Per maggiori informazioni, contattare il proprio referente Motorola Solutions.

© 2023 Motorola Solutions, Inc. All Rights Reserved

# Contattaci

Il centro operazioni di supporto gestito centralizzato (CMSO, Centralized Managed Support Operations) rappresenta il contatto primario per l'assistenza tecnica compresa nel contratto di assistenza tra l'organizzazione dell'utente e Motorola Solutions.

I clienti che hanno sottoscritto il contratto di assistenza devono assicurarsi di rivolgersi al CMSO in tutte le situazioni elencate alla voce Responsabilità del cliente del relativo contratto, ad esempio:

- per confermare i risultati della risoluzione dei problemi e l'analisi prima di procedere.

L'organizzazione dell'utente ha ricevuto numeri di telefono dell'assistenza e altre informazioni di contatto appropriate per la propria area geografica e il proprio contratto di assistenza. Utilizzare tali informazioni di contatto per ottenere risposte nel modo più efficiente. Tuttavia, se necessario, è anche possibile individuare le informazioni di contatto per l'assistenza generica sul sito Web di Motorola Solutions, attenendosi alla seguente procedura:

1. Accedere al sito Web [motorolasolutions.com](http://motorolasolutions.com) dal browser in uso.
2. Verificare che vengano visualizzati sulla pagina il Paese o l'area geografica della propria organizzazione. Facendo clic sul nome dell'area geografica o toccandolo, è possibile modificarlo.
3. Selezionare "Supporto" nella pagina [motorolasolutions.com](http://motorolasolutions.com).

## Commenti

Inviare domande e commenti relativi alla documentazione per l'utente all'indirizzo [documentation@motorolasolutions.com](mailto:documentation@motorolasolutions.com).

Quando si segnala un errore nella documentazione, è necessario fornire le seguenti informazioni:

- Titolo del documento e codice prodotto
- Numero di pagina o titolo della sezione con l'errore
- Descrizione dell'errore

Motorola Solutions offre vari corsi designati a promuovere la conoscenza del sistema. Per informazioni, visitare il sito <https://learning.motorolasolutions.com> e visualizzare i percorsi tecnologici e le offerte dei corsi in essere.

# Convenzioni delle icone

La documentazione è stata pensata per fornire al lettore più riferimenti visivi. Di seguito, sono riportate le icone grafiche utilizzate nella documentazione.



**PERICOLO:**

la parola PERICOLO con l'icona di sicurezza associata indica la presenza di informazioni che, se non rispettate, possono provocare lesioni gravi o fatali.



**ATTENZIONE:**

la parola ATTENZIONE con l'icona di sicurezza associata indica la presenza di informazioni che, se non rispettate, possono provocare lesioni gravi o fatali oppure gravi danni al prodotto.



**AVVERTENZA:**

la parola AVVERTENZA con l'icona di sicurezza associata indica la presenza di informazioni che, se non rispettate, possono provocare lesioni di entità minore o moderata oppure gravi danni al prodotto.



**AVVERTENZA:**

la parola AVVERTENZA può essere utilizzata senza l'icona di sicurezza a indicare lesioni o danni potenziali non correlati al prodotto.



**IMPORTANTE:**

le dichiarazioni contrassegnate dalla parola IMPORTANTE contengono informazioni determinanti relative al contenuto in questione, ma sono diverse dalle indicazioni AVVERTENZA o ATTENZIONE. Non esiste un livello di avviso associato alle dichiarazioni contrassegnate dalla parola IMPORTANTE.




**NOTA:**

la NOTA contiene informazioni più importanti rispetto al testo circostante, ad esempio le eccezioni o le condizioni preliminari. Inoltre, indirizza il lettore verso altri punti della documentazione per ulteriori informazioni, descrive la procedura per completare un'azione (ad esempio, qualora quest'ultima non sia inclusa nella procedura presentata) oppure indica il punto in cui si trova un elemento sullo schermo. Alla nota non è associato alcun livello di avviso.

# Convenzioni tipografiche

Vengono utilizzate le seguenti convenzioni tipografiche:

Convenzione	Descrizione
<b>Grassetto</b>	Questo carattere tipografico viene utilizzato per i nomi, ad esempio nel caso di finestre, pulsanti ed etichette, quando vengono visualizzati sullo schermo (es.: finestra <b>Alarms Browser</b> ). Quando è chiaro che, ad esempio, si fa riferimento a un pulsante, il nome viene utilizzato da solo (es.: Fare clic su <b>OK</b> ).
Monospacing font in bold	Questo carattere tipografico viene utilizzato per le parole che devono essere digitate esattamente come vengono visualizzate nel testo (es.: Nel campo <b>Address</b> , digitare <code>http://ucs01.ucs:9080/</code> ).
Carattere monospazio	Questo carattere tipografico viene utilizzato per messaggi, richieste e altro testo visualizzato sullo schermo del computer (es.: <code>A new trap destination has been added</code> ).
<b>&lt;Carattere monospazio in corsivo grassetto&gt;</b>	Questo carattere tipografico viene utilizzato con le parentesi angolari come variabili per un elemento specifico del gruppo rappresentato dalle parole (es.: <b>&lt;numero di router&gt;</b> ).   <b>NOTA:</b> nelle sequenze da digitare, le parentesi angolari vengono omesse per evitare confusione sull'inclusione o meno delle stesse nel testo da digitare.
<b>CAPITAL LETTERS</b>	Questo carattere tipografico viene utilizzato per i tasti della tastiera (es.: Premere <b>Y</b> , quindi premere <b>ENTER</b> ).
<b>Corsivo</b>	Questo carattere tipografico viene utilizzato per le citazioni. Una citazione, in genere, è il nome di un documento o una frase presa da un altro documento (es.: <i>Panoramica del sistema Dimetra IP</i> ).
→	Il carattere → (freccia rivolta a destra) viene utilizzato per indicare una struttura di menu o schede nelle istruzioni su come selezionare una determinata voce di menu (es.: <b>File</b> → <b>Save</b> ) o una determinata scheda secondaria.

# Sommar

<b>Proprietà intellettuale e avvisi sulla conformità.....</b>	<b>2</b>
<b>Contattaci.....</b>	<b>4</b>
<b>Convenzioni delle icone.....</b>	<b>5</b>
<b>Convenzioni tipografiche.....</b>	<b>6</b>
<b>Istruzioni importanti sulla sicurezza.....</b>	<b>8</b>
<b>Linee guida per un utilizzo sicuro.....</b>	<b>9</b>
<b>Capitolo 1: Panoramica della base.....</b>	<b>10</b>
1.1 Specifiche ripetitore.....	12
<b>Capitolo 2: Kit autorizzati.....</b>	<b>13</b>
2.1 Batteria autorizzata Motorola Solutions.....	13
2.2 Alimentatore autorizzato Motorola Solutions.....	13
2.3 Cavo USB di programmazione autorizzato Motorola Solutions.....	13
2.4 Antenna autorizzata Motorola Solutions.....	14
2.4.1 Altra antenna.....	14
2.5 Altri accessori autorizzati Motorola Solutions.....	14
<b>Capitolo 3: Istruzioni per l'uso.....</b>	<b>16</b>
3.1 Ricarica del cercapersone.....	16
3.2 Rimozione con una sola mano.....	18
3.3 Installazione dell'antenna.....	18
3.4 Crimpatura delle boccole.....	19
3.5 Collegamento del sistema di allarme alla base.....	19
3.6 Disconnessione del sistema di allarme dalla base.....	20

# Istruzioni importanti sulla sicurezza

Questo documento contiene importanti istruzioni sulla sicurezza e sul funzionamento. Leggere attentamente queste istruzioni e conservarle come riferimento futuro.

Prima di utilizzare la base, leggere tutte le istruzioni e gli avvisi riportati sulla base, sulla batteria e sul cercapersone che utilizzano la batteria.



## **ATTENZIONE:**

- Per ridurre il rischio di danni al cavo di alimentazione, scollegare la base tirando la spina e non il cavo.
- Per ridurre il rischio di incendi o scosse elettriche, evitare di utilizzare una prolunga.
- Per ridurre il rischio di incendi, scosse elettriche o lesioni, non utilizzare la base se è in qualche modo rotta o danneggiata. Consegnarla invece a un rappresentante dell'assistenza tecnica di Motorola Solutions.
- Non disassemblare la base. Non può essere riparata e non sono disponibili parti di ricambio. Il disassemblaggio della base può causare scosse elettriche o incendi.
- Per ridurre il rischio di scosse elettriche, scollegare la base dalla presa elettrica CA prima di eseguire qualsiasi operazione di manutenzione o pulizia.
- Per ridurre il rischio di lesioni, ricaricare unicamente batterie ricaricabili autorizzate. Batterie di altro tipo potrebbero esplodere causando lesioni personali e danni.
- Per ridurre il rischio di incendi, scosse elettriche o lesioni, utilizzare solo gli accessori consigliati da Motorola Solutions.
- Questo è un prodotto di Classe A. In un ambiente domestico questo prodotto potrebbe causare interferenze con il cercapersone. Adottare le misure adeguate per evitare interferenze.

## Linee guida per un utilizzo sicuro

- Questa apparecchiatura non è adatta per l'utilizzo in esterni. Utilizzare unicamente in luoghi asciutti.
- La temperatura ambiente massima intorno al caricabatteria non deve superare i 40 °C (104 °F).
- Assicurarsi che il cercapersone sia asciutto prima di inserirlo nella base.
- Collegare l'apparecchiatura esclusivamente a una presa di corrente CA dotata di fusibili e cavi del voltaggio corretto, come specificato sul prodotto.
- Scollegare dall'alimentazione di rete rimuovendo la spina principale.
- La presa CA alla quale viene collegato il cavo di alimentazione deve trovarsi nelle vicinanze ed essere facilmente accessibile.
- Nelle apparecchiature che utilizzano fusibili, i ricambi devono rispettare il tipo e la classificazione riportati nelle istruzioni del prodotto.
- L'apparecchiatura deve essere collegata a una presa di corrente vicina e facilmente accessibile.
- La potenza di uscita dall'unità di alimentazione non deve superare i valori riportati sull'etichetta del prodotto situata sul lato inferiore della base.
- Verificare che il cavo sia posizionato in modo da evitare che venga calpestato, danneggiato, esposto all'acqua oppure ad altre sollecitazioni e che non sia motivo di intralcio.

## Capitolo 1

# Panoramica della base

La base del cercapersone TETRA TPG2200 ha la funzione di caricabatteria e docking station dello stesso cercapersone TPG2200.



**NOTA:**

il termine radio utilizzato all'interno di questo manuale si riferisce anche ai cercapersone e ad altri dispositivi di comunicazione radio.

Per la base del cercapersone TETRA TPG2200 esistono due diversi kit: il kit PMPN4142\_ e il kit PMPN5002\_. Il kit PMPN4142\_ viene fornito con un'antenna da 380-430 MHz e il kit PMPN5002\_ kit con un'antenna da 440-470 MHz. Entrambi i kit includono una docking station caricabatteria, un adattatore di alimentazione, un distanziale e quattro bocche. La base fornisce gli avvisi per i messaggi ricevuti dal cercapersone quando è inserito nella base e funziona come connessione del ripetitore al sistema di allarme domestico. Il LED di avviso si illumina in bianco quando ci sono nuovi messaggi.

**Figura 1: Base**





Figura 2: Panoramica della base

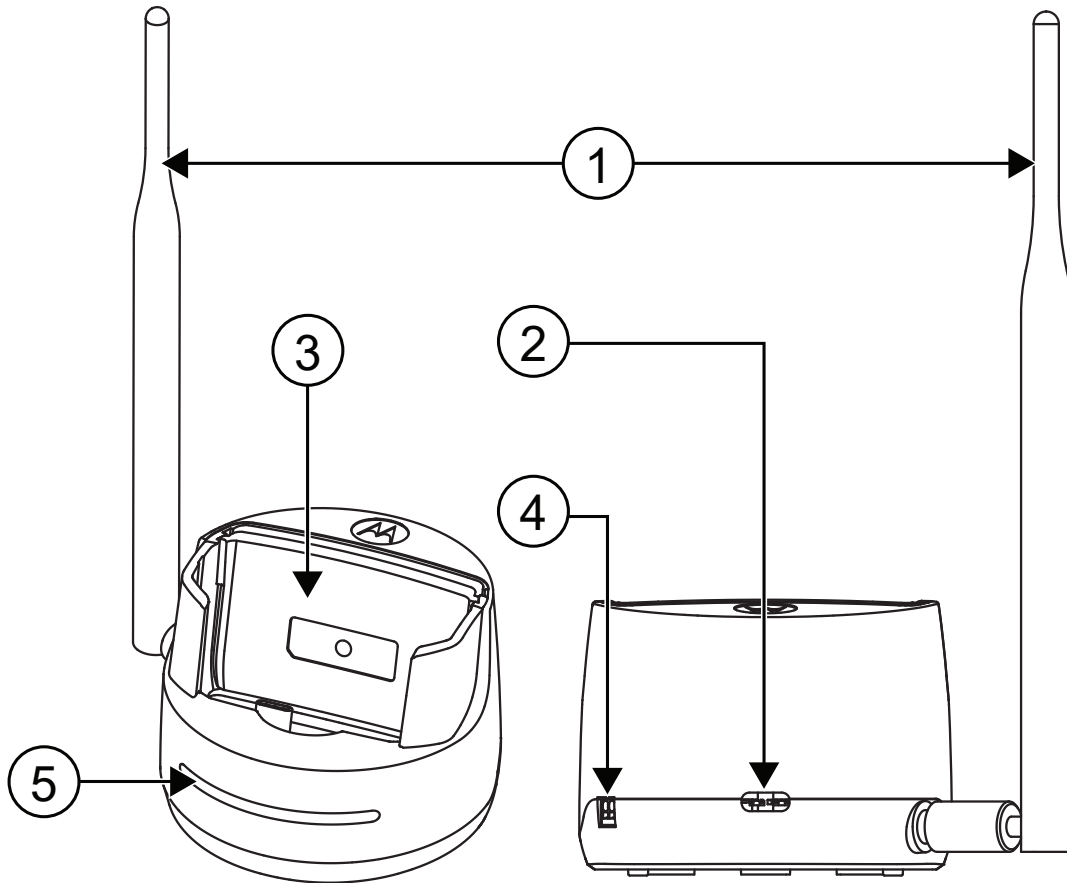
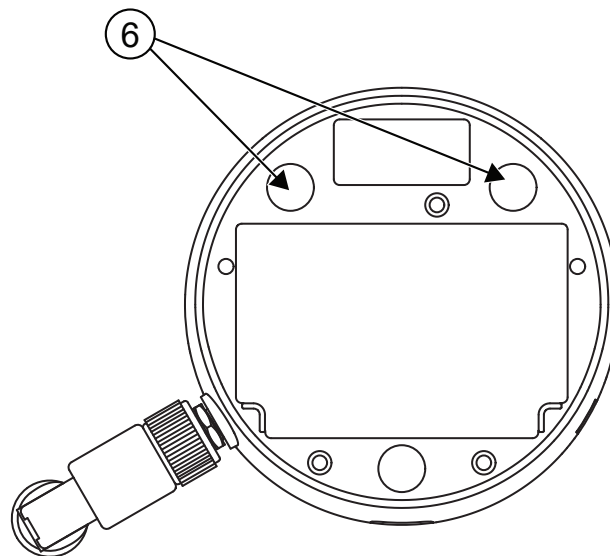



Figura 3: Fori di scarico



Elemento	Descrizione
1	Antenna a stilo SMA girevole
2	Connettore USB-C
3	Distanziale  <b>NOTA:</b> il distanziale fornito con la base è destinato all'utilizzo con la batteria a capacità standard (codice prodotto del kit del distanziatore: HN001086A02). Durante la ricarica della batteria ad alta capacità PMNN4586_, sostituire il distanziale con il distanziale più sottile (codice prodotto HN001086A01) fornito insieme al kit del coperchio della batteria ad alta capacità, PMHN4463_.
4	Connettore ripetitore
5	LED di avviso
6	Non coprire i fori di drenaggio

**NOTA:**

le condizioni seguenti si verificano solo quando il cercapersone è inserito nella base e l'alimentatore è acceso:

- Viene rilevato lo stato di inserimento del cercapersone nella base.
- Il cercapersone viene caricato.
- Vengono attivati il LED di avviso, il connettore del ripetitore e l'antenna esterna della base.

## 1.1

## Specifiche ripetitore

In questa sezione vengono fornite le specifiche del ripetitore.

- Capacità di commutazione nominale (carico resistivo): 2 A 30 VCC, 0,5 A 125 VCA.
- Potenza di commutazione massima (carico resistivo): 60 W, 62,5 VA.
- Tensione di commutazione massima: 220 VCC, 125 VCA

## Capitolo 2

# Kit autorizzati

Questa sezione elenca i kit autorizzati all'utilizzo con la base.

### 2.1

## Batteria autorizzata Motorola Solutions

Le batterie riportate di seguito sono approvate per l'utilizzo con la base. Non caricare altre batterie non approvate.

**Tabella 1: Batteria autorizzata Motorola Solutions**

Numero kit	Descrizione
PMNN4510_	Batteria IMPRES™ 2 agli ioni di litio 2300T
PMNN4586_	Batteria IMPRES 2 agli ioni di litio 3600T

### 2.2

## Alimentatore autorizzato Motorola Solutions

Gli alimentatori riportati di seguito sono approvati per l'utilizzo con la base.

**Tabella 2: Alimentatore autorizzato Motorola Solutions**

Numero kit	Descrizione
PS000150A22	Alimentatore da parete da 240 V CA con adattatore per l'Europa universale 5 VCC/1,5 A L6 USB-C (cavo da 1 metro)
PS000150A52	Alimentatore da parete da 240 V CA con adattatore per l'Europa universale 5 VCC/1,5 A L6 USB-C (cavo da 1,8 metro)



**NOTA:**

utilizzare solo caricabatteria e cavi approvati da Motorola Solutions che forniscono prestazioni ottimali. Altri caricabatteria potrebbero non riuscire a caricare completamente la batteria o potrebbero ridurne la durata.

### 2.3

## Cavo USB di programmazione autorizzato Motorola Solutions

Il cavo di programmazione riportato qui di seguito è approvato per l'utilizzo con la base e il cercapersone. Per ulteriori dettagli, fare riferimento al Manuale informativo sul prodotto del cercapersone TPG2200.

**Tabella 3: Cavo USB di programmazione autorizzato Motorola Solutions**

Codice prodotto	Descrizione
PMKN4196_	<ul style="list-style-type: none"><li>• USB 2.0</li><li>• Connettore tipo A (compatibile con PC) e spina tipo C.</li></ul>



**NOTA:**

l'uso di un cavo errato influisce sulle prestazioni della base e del cercapersone.

## 2.4

# Antenna autorizzata Motorola Solutions

L'antenna riportata di seguito è approvata per l'utilizzo con la base.

**Tabella 4: Antenna autorizzata Motorola Solutions**

Numero kit	Descrizione
PMAE4108_	<ul style="list-style-type: none"><li>• Antenna girevole a stilo con connettore SMA maschio/presa.</li><li>• Antenna da 50 Ohm operante nella banda di frequenza 380-430 MHz.</li></ul>
PMAE4114_	<ul style="list-style-type: none"><li>• Antenna girevole a stilo con connettore SMA maschio/presa.</li><li>• Antenna da 50 Ohm operante nella banda di frequenza 440-470 MHz.</li></ul>

### 2.4.1

## Altra antenna

È possibile utilizzare un'altra antenna dalla descrizione analoga a quella riportata nella [Tabella 4: Antenna autorizzata Motorola Solutions a pagina 14](#).

Per passare a un'antenna esterna quando il cercapersone viene collegato a una docking station, accendere il caricabatteria da viaggio (alimentatore) che fornisce l'alimentazione alla base. Se il caricabatterie da viaggio è spento, il cercapersone non è in grado di connettersi all'antenna esterna e il cercapersone utilizza la sua antenna interna per trasmettere e ricevere segnali.

## 2.5

# Altri accessori autorizzati Motorola Solutions

I seguenti accessori sono approvati per l'utilizzo con la base.

**Tabella 5: Altri accessori autorizzati Motorola Solutions**

Numero kit	Descrizione
HN001086A01	Distanziatore, sottile

Numero kit	Descrizione
	Per l'utilizzo con la batteria ad alta capacità (PMNN4586_) durante la ricarica con la base.
HN001086A02	Distanziatore Per l'utilizzo con la batteria a capacità standard (PMNN4510_) durante la ricarica con la base.

## Capitolo 3

# Istruzioni per l'uso

La base è stata progettata esclusivamente per l'utilizzo con la batteria e l'alimentatore autorizzati Motorola Solutions. L'utilizzo con prodotti non autorizzati potrebbe impedire il funzionamento corretto e potrebbe danneggiare la periferica.

### 3.1

## Ricarica del cercapersone

La base è progettata per contenere nel proprio vano il cercapersone con batteria.

#### **Casi di utilizzo:**

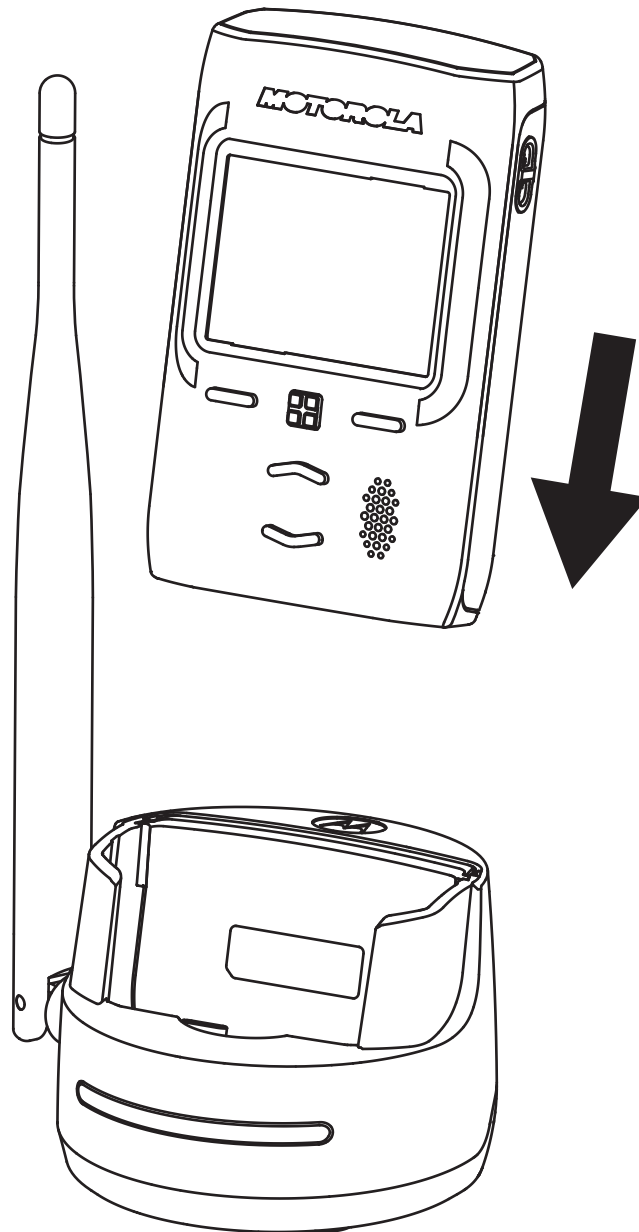
Per garantire la completa ricarica, si consiglia di caricare la nuova batteria durante la notte. Per ridurre al minimo il tempo di ricarica, spegnere il cercapersone.

Per caricare il cercapersone con batteria collegata, eseguire le procedure riportate di seguito:

#### **Procedura:**

1. Collocare la base su una superficie piana.
2. Collegare il cavo di alimentazione al connettore USB-C sul retro della base.
3. Inserire l'alimentatore nella presa CA corretta.
4. Inserire il cercapersone con batteria nel vano della base.
  - a. Allineare il lato della base ai lati del cercapersone con la parete del vano corrispondente.
  - b. Far scorrere il cercapersone all'interno del vano della base, assicurandosi che i contatti del connettore USB-C si tocchino completamente tra la base e il cercapersone.

**Figura 4: Inserimento del cercapersone nella base**



Quando il cercapersone è inserito correttamente nel vano della base, si visualizzerà Home Station Connected.



**NOTA:**

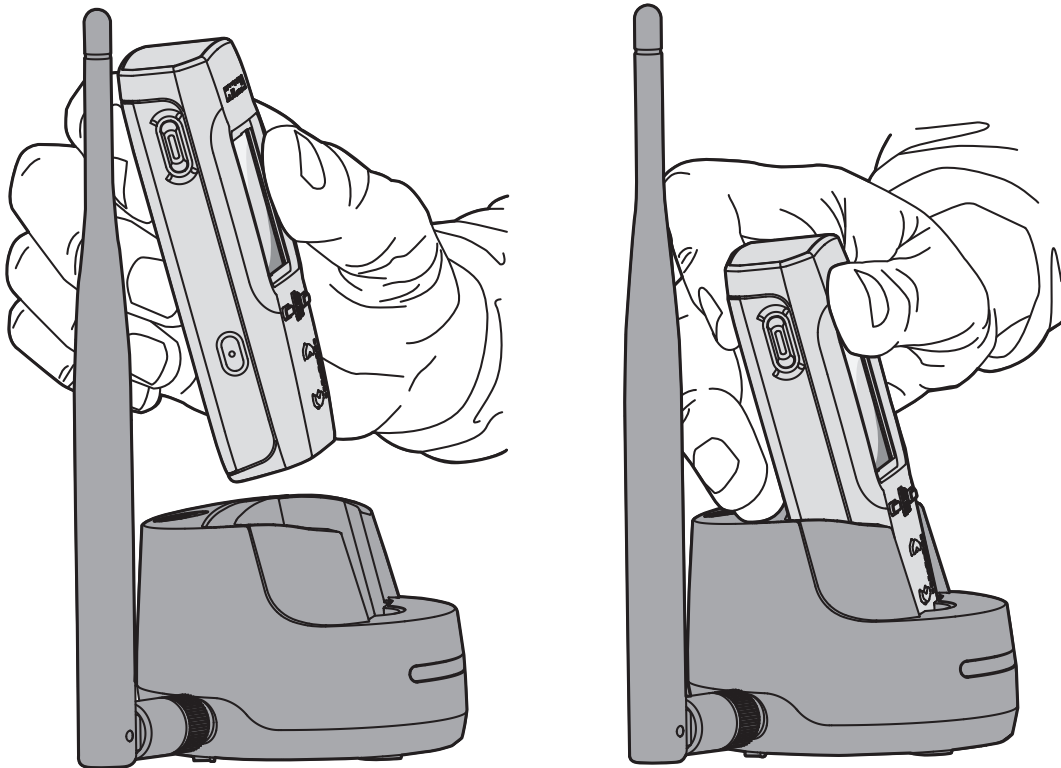
quando si inserisce il cercapersone, assicurarsi che nel vano della base sia presente il distanziatore.

### 3.2

## Rimozione con una sola mano

Questa sezione fornisce informazioni sulla rimozione con una sola mano.

**Figura 5: Rimozione con una sola mano**



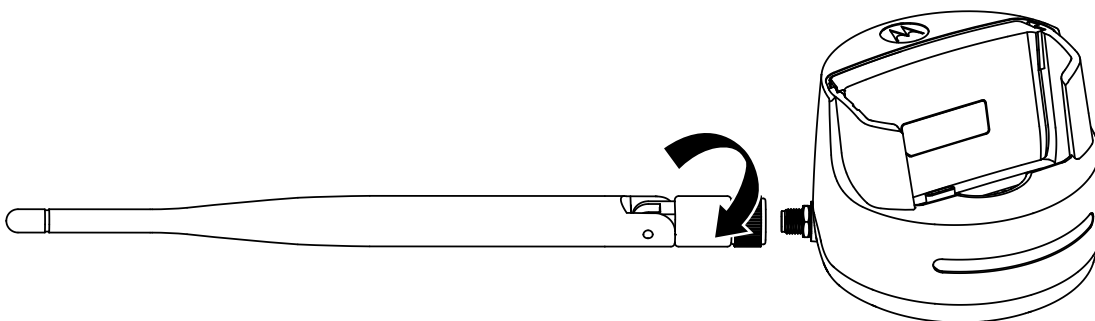
### 3.3

## Installazione dell'antenna

**Procedura:**

1. Avvitare l'antenna.

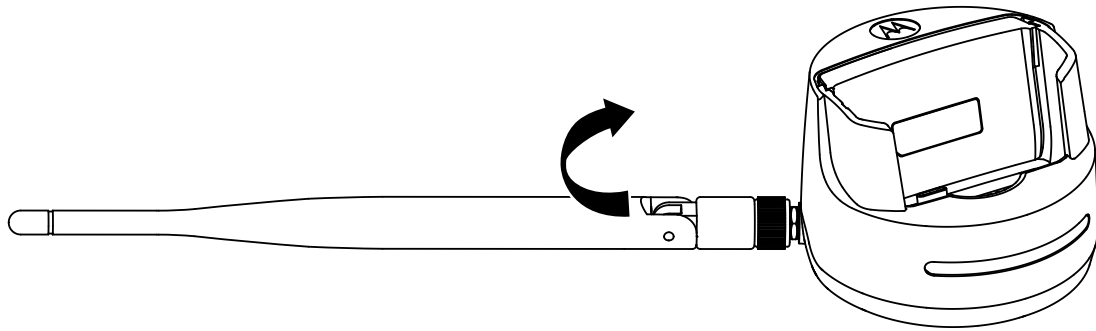
**Figura 6: Installazione dell'antenna**




2. Piegare l'antenna.



**Figura 7: Piegatura dell'antenna**



 **NOTA:**  
per ottenere prestazioni migliori, piegare l'antenna in posizione verticale perché si adatti all'ambiente circostante.

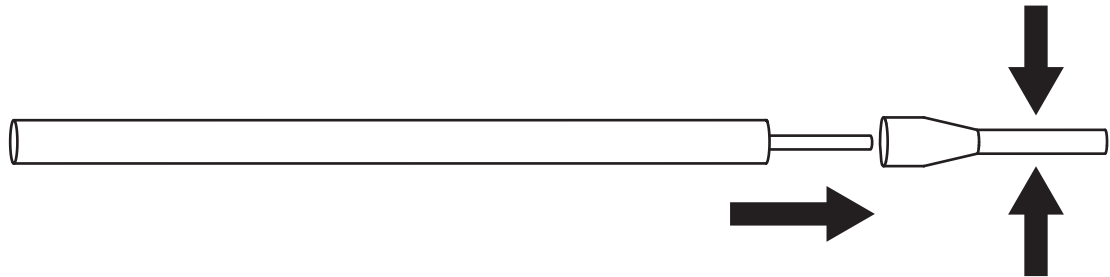
### 3.4

## Crimpatura delle boccole

#### Procedura:

1. Estrarre i fili del sistema di allarme.
2. Inserirli nelle boccole in dotazione, quindi crimpare queste ultime utilizzando le pinze apposite.

**Figura 8: Crimpatura delle boccole.**



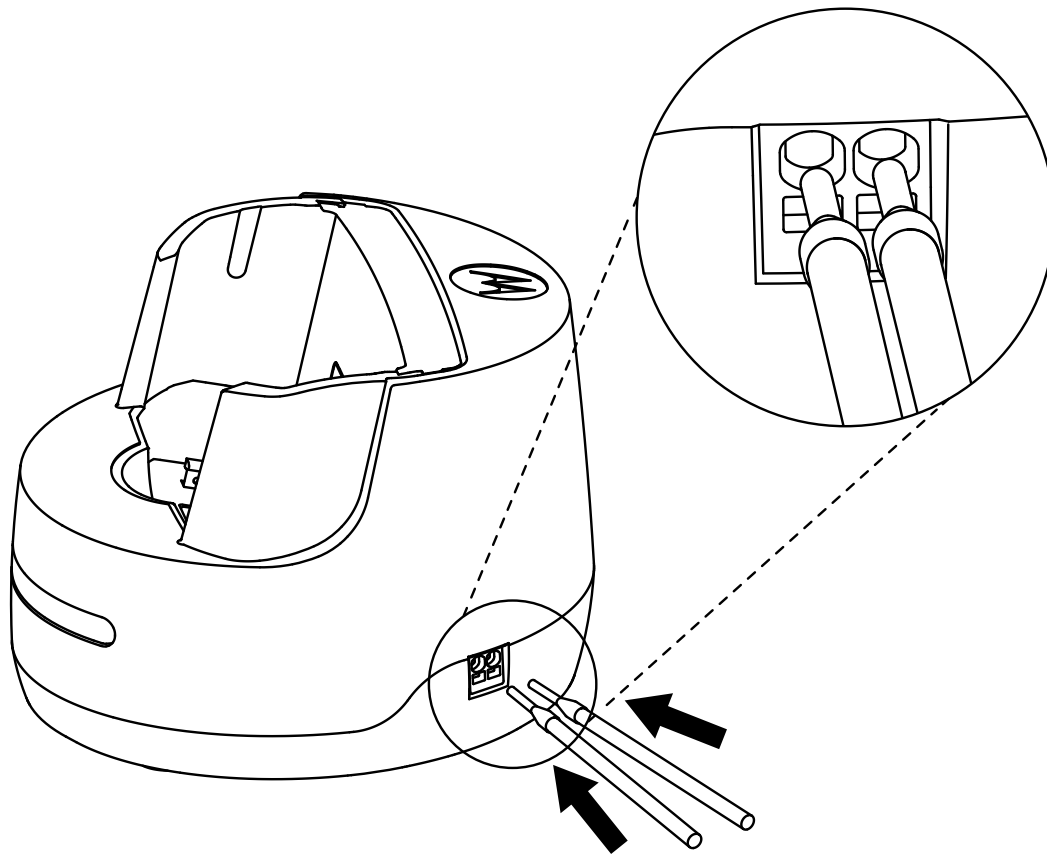
### 3.5

## Collegamento del sistema di allarme alla base

#### Procedura:

Inserire i fili con le boccole crimpate nei due fori superiori del connettore del ripetitore.

**Figura 9: Inserimento delle boccole nel connettore del ripetitore**



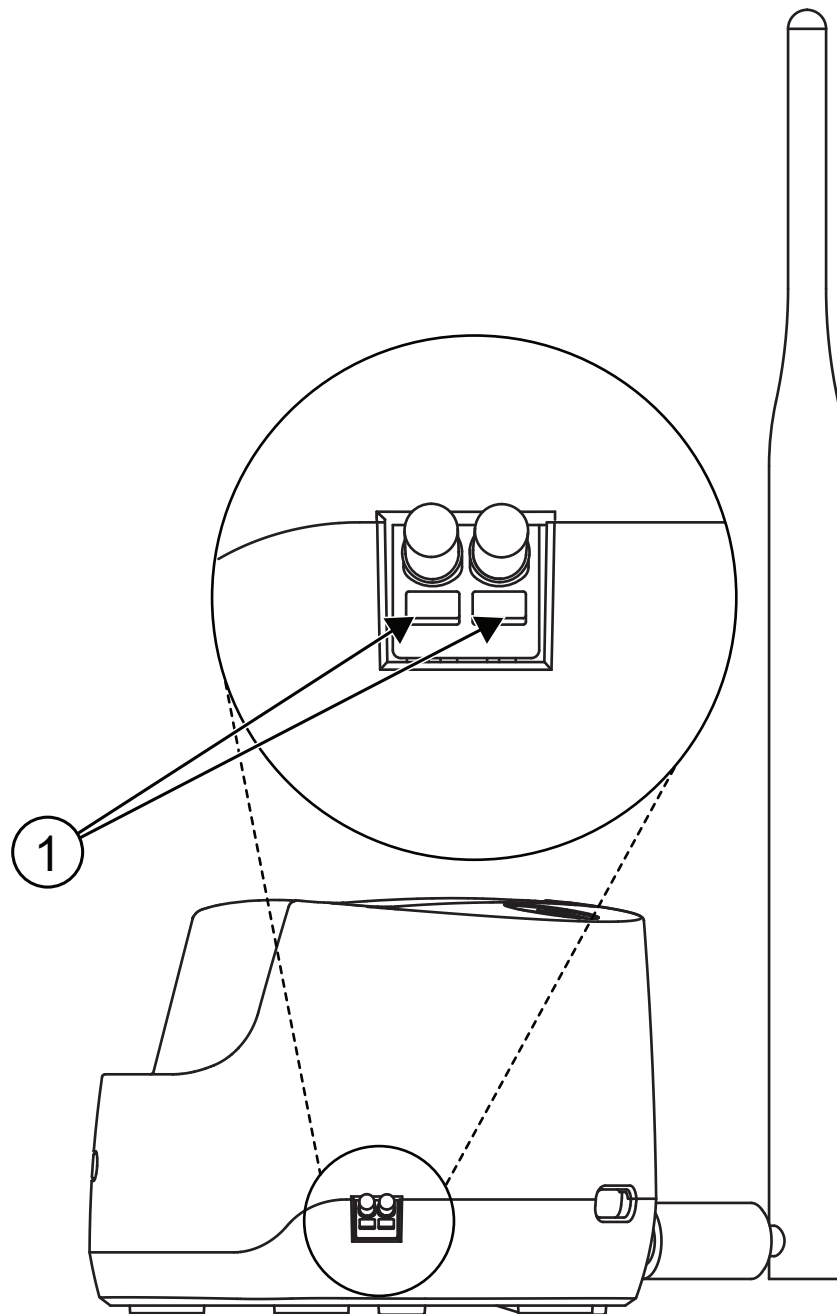
### 3.6

## Disconnessione del sistema di allarme dalla base

**Procedura:**

1. Per rimuovere i fili dell'allarme esterno, utilizzare un oggetto a punta fine per attivare le levette sul connettore del ripetitore.
2. Estrarre i fili quando le levette sono attivate.

Figura 10: Le levette sul connettore del ripetitore



Elemento	Descrizione
1	Levette

# Advisor™ TPG2200 TETRA- hjemmestasjon for toveis personsøker



# Merknader om immaterielle rettigheter og overholdelse av regelverk

## Opphavsrett

Motorola Solutions-produktene som er beskrevet i dette dokumentet, kan omfatte opphavsrettslig beskyttet programvare fra Motorola Solutions. Lovgivningen i USA og andre land sikrer Motorola Solutions visse eksklusive rettigheter til opphavsrettslig beskyttet programvare. Det betyr at opphavsrettslig beskyttet programvare fra Motorola Solutions som finnes i Motorola Solutions-produktene som er beskrevet i denne veiledningen, ikke må kopieres eller reproduseres på noen som helst måte uten at det er innhentet uttrykkelig skriftlig tillatelse til det fra Motorola Solutions.

Ingen deler av dette dokumentet kan reproduseres, overføres, lagres i et system for innsamling av informasjon eller oversettes til noe språk eller datamaskinspråk i noen form eller på noen måte, uten at det på forhånd er gitt skriftlig tillatelse til det fra Motorola Solutions, Inc.

## Varemerker

MOTOROLA, MOTO, MOTOROLA SOLUTIONS, and the Stylized M Logo are trademarks or registered trademarks of Motorola Trademark Holdings, LLC and are used under license. All other trademarks are the property of their respective owners.

## Lisensrettigheter

Kjøp av Motorola Solutions-produkter skal ikke tolkes til at det er blitt gitt noen lisens – direkte eller indirekte, ved et utsagn som ikke kan trekkes tilbake, eller på annen måte – under opphavsrett, patenter eller patentsøknader for Motorola Solutions ut over en vanlig, ikke-eksklusiv, vederlagsfri brukslisens som oppstår i kraft av loven ved salg av et produkt.

## Innhold med åpen kildekode

Dette produktet kan inneholde programvare med åpen kildekode som brukes under lisens. Se produktinstalleringsmediet for fullstendige juridiske merknader og innholdsreferanser om åpen kildekode.

## EUs og Storbritannias avfallsdirektiv for elektrisk og elektronisk utstyr (WEEE)



■ EUs og Storbritannia WEEE-direktiv krever at produkter som selges i EU-land og Storbritannia, må være merket med en avfallsdunk med kryss over. (Alternativt kan man merke esken.) Som definert av WEEE-direktivet betyr dette symbolet, en avfallsdunk med kryss over, at kunder og sluttbrukere i EU-land og Storbritannia ikke skal kaste elektronisk eller elektrisk utstyr eller tilbehør i det vanlige husholdningsavfallet.

Kunder eller sluttbrukere i EU-land og Storbritannia bør kontakte den lokale utstyrsleverandøren eller servicesenteret for å få informasjon om systemet for avfallsinnsamling i sitt land.

## Ansvarsfraskrivelse

Vær oppmerksom på at enkelte funksjoner, valg og muligheter som er beskrevet i dette dokumentet, kanskje ikke gjelder for eller er lisensiert for bruk på et bestemt system, eller kan være avhengig av egenskapene til en bestemt mobilabonnents enhet eller konfigurasjonen av bestemte parametere. Ta kontakt med Motorola Solutions lokale representant for mer informasjon.

© 2023 Motorola Solutions, Inc. All Rights Reserved

# Kontakt oss

Centralized Managed Support Operations (CMSO) er primærkontakten for teknisk støtte inkludert i din virksomhets tjenesteavtale med Motorola Solutions.

Kunder med tjenesteavtale må passe på å kontakte CMSO i alle de situasjonene som er oppført under Kundens ansvar i avtalen, for eksempel:

- for å bekrefte feilsøkingresultater og analyse før tiltak settes i verk

Virksomheten din har mottatt telefonnumre for kundestøtte og annen relevant kontaktinformasjon for det geografiske området og tjenesteavtalen. Bruk denne kontaktinformasjonen for å få raskest mulig respons. Ved behov kan du imidlertid også finne kontaktinformasjon for generell støtte på nettstedet til Motorola Solutions ved å følge disse trinnene:

1. Skriv inn [motorolasolutions.com](https://motorolasolutions.com) i nettleseren.
2. Kontroller at landet eller regionen for virksomheten din vises på siden. Du kan endre region ved å klikke eller trykke på den.
3. Velg Support på siden [motorolasolutions.com](https://motorolasolutions.com).

## Kommentarer

Send spørsmål og kommentarer vedrørende brukerdokumentasjon til [documentation@motorolasolutions.com](mailto:documentation@motorolasolutions.com).

Oppgi følgende informasjon når du melder fra om en dokumentasjonsfeil:

- dokumentets tittel og delenummer
- sidetallet for eller tittelen på delen med feil
- en beskrivelse av feilen

Motorola Solutions tilbyr en rekke ulike kurs som hjelp til å lære om systemet. Hvis du vil ha mer informasjon, kan du gå til <https://learning.motorolasolutions.com> for å se nåværende kurstilbud og teknologibaner.

# Symbolbeskrivelse

Dokumentasjonen er utformet for å gi leseren mer visuell informasjon. Følgende grafiske symboler brukes i hele dokumentasjonen.



**FARE:** Signalordet FARE, med det respektive varselsymbolet, henviser til informasjon om farlige situasjoner som vil føre til død eller livstruende skader dersom varselet ikke følges.



**ADVARSEL:** Signalordet ADVARSEL, med det respektive varselsymbolet, henviser til informasjon om farlige situasjoner som kan føre til død, livstruende skader eller alvorlig skade på produktet dersom varselet ikke følges.



**OBS!:** Signalordet FORSIKTIG, med det respektive varselsymbolet, henviser til informasjon om farlige situasjoner som kan føre til mindre eller lett alvorlige skader eller alvorlig skade på produktet dersom varselet ikke følges.



**OBS!:** Signalordet OBS kan brukes uten varselsymbolet for å informere om potensiell skade eller personskade som ikke er relatert til produktet.




**VIKTIG:** Erklæringer merket VIKTIG inneholder informasjon som er avgjørende for den aktuelle situasjonen, men som ikke går inn under FORSIKTIG eller ADVARSEL. Det er ikke ingen advarsler knyttet til erklæringer som er merket VIKTIG.



**MERK:** MERKNAD inneholder informasjon som er viktigere enn den omkringliggende teksten, for eksempel unntak eller forutsetninger. Denne informasjonen henviser også leseren til andre steder med mer informasjon, minner leseren på hvordan han/hun utfører en handling (når den for eksempel ikke er en del av den aktuelle fremgangsmåten), eller forteller leseren hvor noe er på skjermen. Det er ingen advarsler knyttet til merknader.

# Stilkonvensjoner

Følgende stilkonvensjoner brukes:

Konvensjon	Beskrivelse
<b>Fet skrift</b>	Denne skrifttypen brukes i navn på, for eksempel, vinduer, knapper og etiketter, når disse navnene vises på skjermen (for eksempel: vinduet <b>Alarms Browser</b> ). Når det er klart at vi henviser til for eksempel en knapp, brukes bare navnet (eksempel: Klikk på <b>OK</b> ).
Monospacing font in bold	Denne skrifttypen brukes i ord som skal skrives inn nøyaktig slik de vises i teksten (eksempel: I feltet for <b>Address</b> skriver du inn <code>http://ucs01.ucs:9080/</code> ).
Monospacing font	Denne skrifttypen brukes i meldinger, ledetekster og annen tekst som vises på dataskjermen (eksempel: <code>A new trap destination has been added</code> ).
<b>&lt;Monospacing font in bold Italic&gt;</b>	Denne skrifttypen brukes med vinkelparentes som plassholdere for et bestemt medlem av gruppen som ordene representerer (eksempel: <b>&lt;ruternummer&gt;</b> ).
	 <b>MERK:</b> I sekvenser som skal skrives inn, utelates vinkelparentesene for å unngå forvirring om vinkelparentesene i teksten skal skrives inn.
CAPITAL LETTERS	Denne skrifttypen brukes til tastaturtaster (eksempel: Trykk på Y, og trykk deretter på ENTER).
<i>Kursiv</i>	Denne skrifttypen brukes i sitater. Et sitat er vanligvis navnet på et dokument eller en frase fra et annet dokument (eksempel: <i>Dimetra IP System Overview</i> ).
→	En → (pil som peker mot høyre) brukes til å angi menyen eller fanestrukturen i instruksjoner om hvordan du velger et bestemt menyelement (eksempel: <b>File</b> → <b>Save</b> ) eller en bestemt underkategori.



# Innhold

<b>Merknader om immaterielle rettigheter og overholdelse av regelverk.....</b>	<b>2</b>
<b>Kontakt oss.....</b>	<b>3</b>
<b>Symbolbeskrivelse.....</b>	<b>4</b>
<b>Stilkonvensjoner.....</b>	<b>5</b>
<b>Viktige sikkerhetsinstruksjoner.....</b>	<b>7</b>
<b>Retningslinjer for sikker bruk.....</b>	<b>8</b>
<b>Kapittel 1: Oversikt over hjemmestasjonen.....</b>	<b>9</b>
1.1 Reléspesifikasjon.....	11
<b>Kapittel 2: Autoriserte sett.....</b>	<b>12</b>
2.1 Motorola Solutions-autorisert batteri.....	12
2.2 Motorola Solutions-autorisert strømforsyning.....	12
2.3 Motorola Solutions-autorisert programmeringskabel, USB.....	12
2.4 Motorola Solutions-autorisert antenne.....	13
2.4.1 Annen antenne.....	13
2.5 Andre Motorola Solutions-autoriserte tilbehør.....	13
<b>Kapittel 3: Bruksanvisning.....</b>	<b>15</b>
3.1 Lade personsøkeren.....	15
3.2 Fjerne med én hånd.....	17
3.3 Installere antennen.....	17
3.4 Klemme endehylsene.....	18
3.5 Koble alarmsystemet til hjemmestasjonen.....	18
3.6 Koble alarmsystemet fra hjemmestasjonen.....	19

# Viktige sikkerhetsinstruksjoner

Dette dokumentet inneholder viktige instruksjoner for sikkerhet og bruk. Les disse instruksjonene nøye og ta vare på dem for senere bruk.

Før du bruker hjemmestasjonen, må du lese alle instruksjoner og advarsler som gjelder hjemmestasjonen, batteriet og personsøkeren med batteriet.



## **ADVARSEL:**

- Dra i støpselet, ikke ledningen, når du skal koble fra hjemmestasjonen, slik at faren for skade på strømledningen reduseres.
- Unngå å bruke en skjøteledning for å redusere faren for brann eller elektrisk støt.
- For å redusere faren for brann, elektrisk støt eller annen personskade må du ikke bruke hjemmestasjonen hvis den er ødelagt eller skadet på noen måte. Ta den med til en kvalifisert Motorola Solutions-servicerepresentant.
- Ikke demonter hjemmestasjonen. Den kan ikke repareres, og reservedeler er ikke tilgjengelig. Demontering av hjemmestasjonen kan medføre fare for elektrisk støt eller brann.
- For å redusere faren for elektrisk støt må du koble hjemmestasjonen fra strømuttaket før du forsøker å utføre vedlikehold eller rengjøring.
- For å redusere faren for personskade må du bare lade autoriserte oppladbare batterier. Andre batterier kan eksplodere og forårsake personskade og andre skader.
- For å redusere faren for brann, elektrisk støt eller personskade må du bare bruke tilbehørene som anbefales av Motorola Solutions.
- Dette er et produkt i klasse A. Dette produktet kan forårsake personsøkerforstyrrelser i et hjemmemiljø. Iverksett passende tiltak for å forhindre forstyrrelser.


# Retningslinjer for sikker bruk

- Utstyret er ikke egnet for utendørs bruk. Må bare brukes på tørre steder og under tørre værforhold.
- Den maksimale omgivelsestemperaturen rundt laderen må ikke overstige 40 °C (104 °F).
- Kontroller at personsøkeren er tørr før du setter den inn i hjemmestasjonen.
- Utstyret må kobles til et forsvarlig sikret og kablet strømuttak med riktig spenning, slik det er angitt på produktet.
- Koble fra linjespenningen ved å trekke ut støpselet.
- Strømuttaket som strømledningen er koblet til, bør være i nærheten og lett tilgjengelig.
- For utstyr med sikringer må utskiftninger være i tråd med typen og rangeringen som er angitt i utstyrsinstruksjonene.
- Utstyret skal kobles til et lett tilgjengelig uttak i nærheten.
- Utgående strøm fra strømforsyningsenheten må ikke overstige rangeringene som er angitt på produktetiketten på undersiden av hjemmestasjonen.
- Pass på at ledningen er plassert der den ikke kan tråkkes på, snubles i eller utsettes for vann, skader eller belastning.

## Kapittel 1

# Oversikt over hjemmestasjonen

TETRA TPG2200-personsøkerhjemmestasjonen er en lade- og dokkingstasjon for TPG2200-personsøkeren.

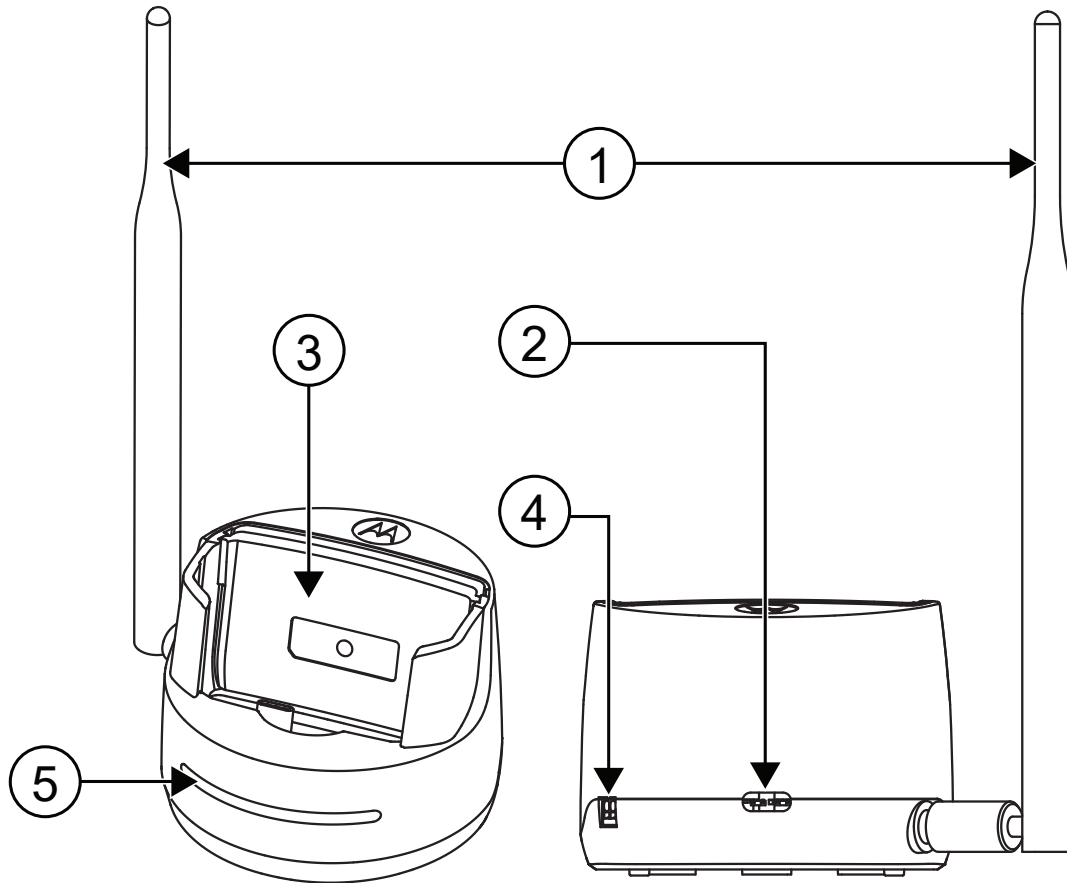
 **MERK:** Begrepet radio som brukes i hele denne håndboken, refererer også til personsøkeren og andre radiokommunikasjonsenheter.

Det finnes to varianter av TETRA TPG2200-personsøkerhjemmestasjonen, PMPN4142\_-settet og PMPN5002\_-settet. PMPN4142\_-settet leveres med en antenne på 380–430 MHz, mens PMPN5002\_-settet leveres med en antenne på 440–470 MHz. Begge settene inneholder en lade- og dokkingstasjon, en strømforsyningsadapter, et avstandsstykke og fire endehylser. Hjemmestasjonen varsler om meldinger som mottas av personsøkeren når den er dokket, og fungerer som en relékontakt til det interne alarmsystemet. LED-lampen for varsling lyser hvitt når nye meldinger mottas.

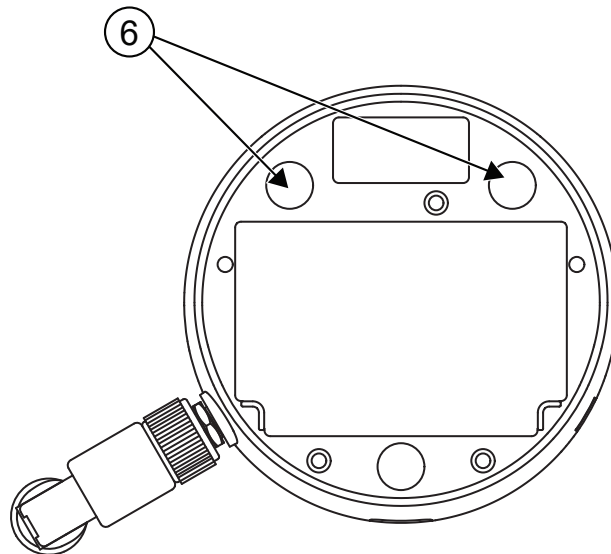
**Figur 1: Hjemmestasjon**




**Figur 2: Oversikt over hjemmestasjonen**



**Figur 3: Dreneringshull**



Element	Beskrivelse
1	Dreibar piskantenne, SMA
2	USB-C-kontakt
3	Avstandsstykke  <b>MERK:</b> Avstandsstykket som følger med hjemmestasjonen, er beregnet for bruk med batteriet med standard kapasitet (avstandsstykkettesettets delenummer: HN001086A02). Når du lader batteriet med høy kapasitet PMN4586_, bytter du ut avstandsstykket med det tynnere avstandsstykket (delenummer HN001086A01) som følger med batteridekselsettet med høy kapasitet, PMHN4463_.
4	Relékontakt
5	LED-lampe for varsling
6	Ikke dekk til dreneringshull



**MERK:** Følgende skjer bare når personsøkeren dokkes i hjemmestasjonen og strømforsyningen slås på:

- Personsøkerens dokkingstatus oppdages.
- Personsøkeren lades.
- LED-lampen for varsling på hjemmestasjonen, relékontakten og den eksterne antennen aktiveres.

## 1.1

# Reléspesifikasjon

Denne delen inneholder informasjon om reléspesifikasjonene.

- Nominell bryterkapasitet (resistiv belastning): 2 A, 30 V DC, 0,5 A, 125 VAC.
- Maksimal brytereffekt (resistiv belastning): 60 W, 62,5 VA
- Maksimal bryterspenning: 220 VDC, 125 VAC

## Kapittel 2

# Autoriserte sett

Denne delen inneholder informasjon om settene som er godkjente for bruk med hjemmestasjonen.

### 2.1

## Motorola Solutions-autorisert batteri

Følgende batterier er godkjent for bruk med hjemmestasjonen. Du må ikke lade andre ikke-godkjente batterier.

**Tabell 1: Motorola Solutions-autorisert batteri**

Settnummer	Beskrivelse
PMNN4510_	Batteriet IMPRES™ 2 Lithium-ion 2300T
PMNN4586_	Batteriet IMPRES 2 Lithium-Ion 3600T

### 2.2

## Motorola Solutions-autorisert strømforsyning

Følgende strømforsyninger er godkjent for bruk med hjemmestasjonen.

**Tabell 2: Motorola Solutions-autorisert strømforsyning**

Settnummer	Beskrivelse
PS000150A22	Universaladapter for 240 VAC strømuttak, Europa, 5 VDC / 1,5 A, L6, USB-C (kabel på 1 meter)
PS000150A52	Universaladapter for 240 VAC strømuttak, Europa, 5 VDC / 1,5 A, L6, USB-C (kabel på 1,8 meter)



**MERK:** Bruk bare Motorola Solutions-godkjente ladere og ledninger som gir optimal ytelse. Bruk av andre ladere kan føre til at batteriet ikke lades helt opp eller redusere levetiden til batteriet.

### 2.3

## Motorola Solutions-autorisert programmeringskabel, USB

Følgende programmeringskabel er godkjent for bruk med hjemmestasjonen og personsøkeren. Se TPG2200-personsøkerens brukerhåndbok for å få mer informasjon.

**Tabell 3: Motorola Solutions-autorisert programmeringskabel, USB**

Delenummer	Beskrivelse
PMKN4196_	<ul style="list-style-type: none"><li>USB 2.0</li></ul>

Delenummer	Beskrivelse
	<ul style="list-style-type: none"> <li>Type-A-kontakt (PC-kompatibel) og type-C-plugg.</li> </ul>

 **MERK:** Bruk av feil kabel påvirker ytelsen til hjemmestasjonen og personsøkeren.

## 2.4

# Motorola Solutions-autorisert antenne

Følgende antenner er godkjent for bruk med hjemmestasjonen.

**Tabell 4: Motorola Solutions-autorisert antenne**

Settnummer	Beskrivelse
PMAE4108_	<ul style="list-style-type: none"> <li>En dreibar piskantenne med SMA-hann/pluggkontakt.</li> <li>En 50 ohm antenne som opererer i frekvensbåndet fra 380 MHz til 430 MHz.</li> </ul>
PMAE4114_	<ul style="list-style-type: none"> <li>En dreibar piskantenne med SMA-hann/pluggkontakt.</li> <li>En 50 ohm antenne som opererer i frekvensbåndet fra 440 MHz til 470 MHz.</li> </ul>

### 2.4.1

## Annen antenne

Du kan bruke den andre antennen med lignende beskrivelse som er oppført i [Tabell 4: Motorola Solutions-autorisert antenne på side 13](#).

Hvis du vil bytte til ekstern antenne når personsøkeren er dokket, slår du på reiseladeren (strømforsyning) som forsyner hjemmestasjonen med strøm. Hvis reiseladeren er slått av, kan ikke personsøkeren kobles til den eksterne antennen, og personsøkeren bruker den interne antennen til å sende og motta signaler.

## 2.5

# Andre Motorola Solutions-autoriserte tilbehør

Følgende tilbehør er godkjent for bruk med hjemmestasjonen.

**Tabell 5: Andre Motorola Solutions-autoriserte tilbehør**

Settnummer	Beskrivelse
HN001086A01	Avstandsstykke, tynt Brukes sammen med batteriet med høy kapasitet (PMN4586_) til lading av hjemmestasjonen.
HN001086A02	Avstandsstykke



Settnummer	Beskrivelse
	Brukes sammen med batteriet med standard kapasitet (PMNN4510_) til lading av hjemmestasjonen.

## Kapittel 3

# Bruksanvisning

Hjemmestasjonen er bare beregnet for bruk med autoriserte Motorola Solutions-batterier og -strømforsyninger. Bruk med uautoriserte produkter kan hindre riktig drift og kan føre til skade på enheten.

### 3.1

## Lade personsøkeren

Hjemmestasjonen leveres med en personsøker og medfølgende batteri i fordypningen.

### **Når og hvor dette skal brukes:**

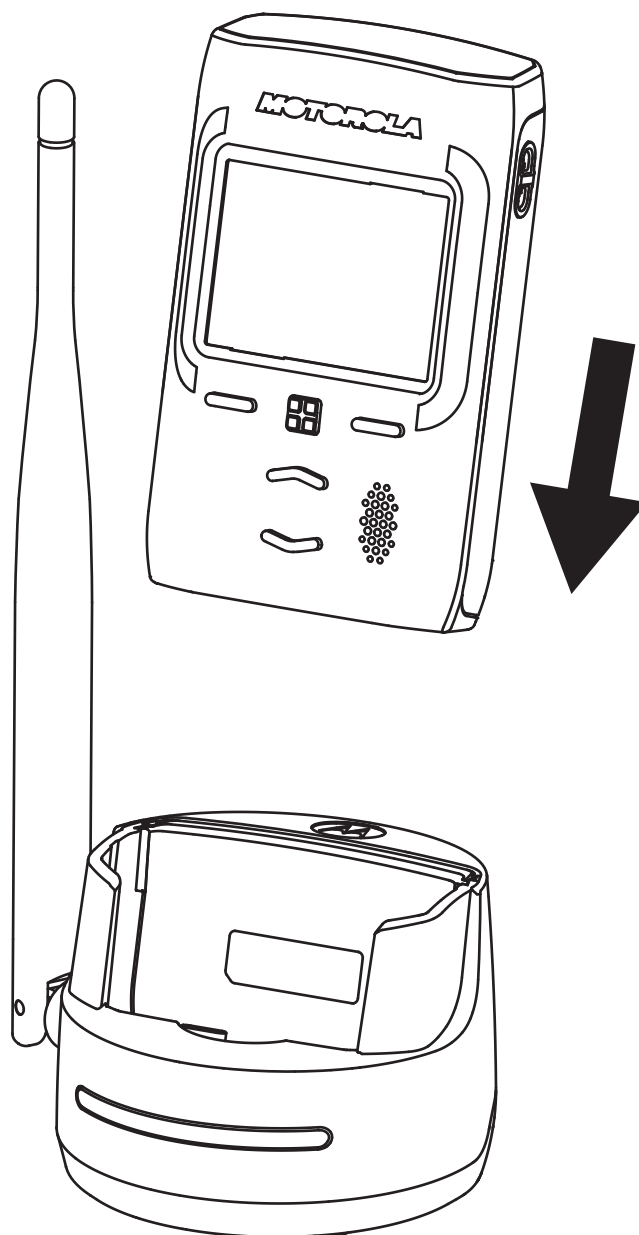
Det anbefales å lade et nytt batteri over natten for å sikre at det lades helt opp. Slå av personsøkeren for å redusere ladetiden.

Gjør følgende for å lade personsøkeren med det medfølgende batteriet:

### **Prosedyre:**

1. Plasser hjemmestasjonen på en flat overflate.
2. Plugg strømledningen inn i USB-C-kontakten på baksiden av hjemmestasjonen.
3. Plugg strømledningen inn i et passende strømuttak.
4. Sett inn en personsøker med et batteri i fordypningen på hjemmestasjonen.
  - a. Juster siden av hjemmestasjonen på hver side av personsøkeren med den tilsvarende fordypningen.
  - b. Skyv personsøkeren i fordypningen på hjemmestasjonen for å sikre USB-C-kontakt mellom hjemmestasjonen og personsøkeren.

**Figur 4: Dokke personsøkeren**



Når personsøkeren er plassert i fordypningen i hjemmestasjonen på riktig måte, viser personsøkeren meldingen Home Station Connected.



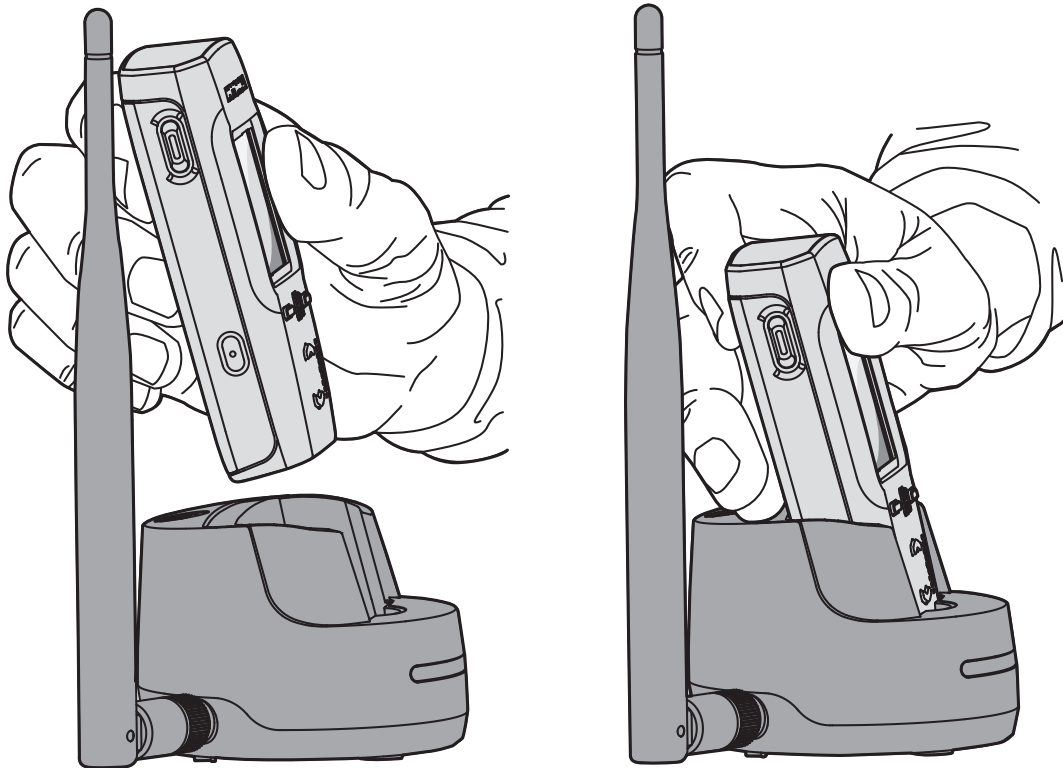
**MERK:** Når du dokker personsøkeren, må du sørge for at underlagsskiven er plassert i fordypningen i hjemmestasjonen.

### 3.2

## Fjerne med én hånd

Denne delen inneholder informasjon om fjerning med én hånd.

**Figur 5: Fjerne med én hånd**



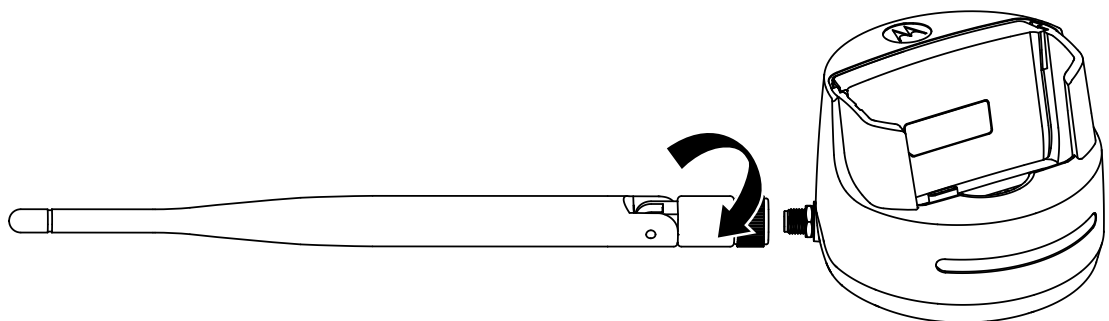
### 3.3

## Installere antennen

**Prosedyre:**

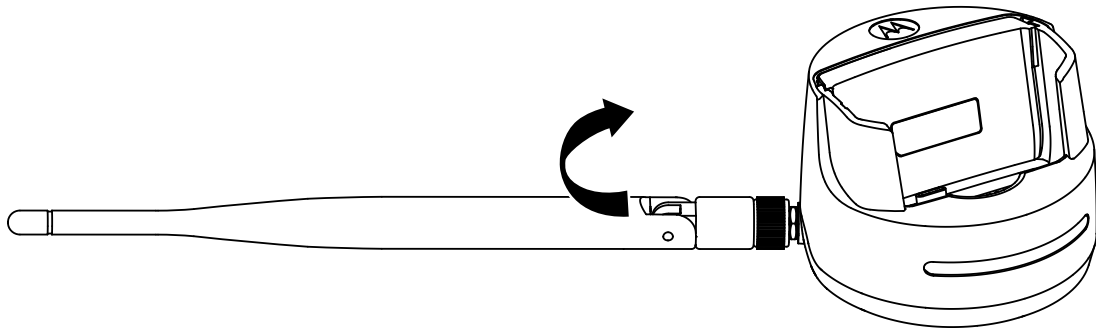
1. Skru inn antennen.


**Figur 6: Installere antennen**



2. Bøy antennen.

**Figur 7: Bøye antennen**



 **MERK:** For å få bedre ytelse kan du bøye antennen i en loddrett posisjon for å tilpasse den med omgivelsene.

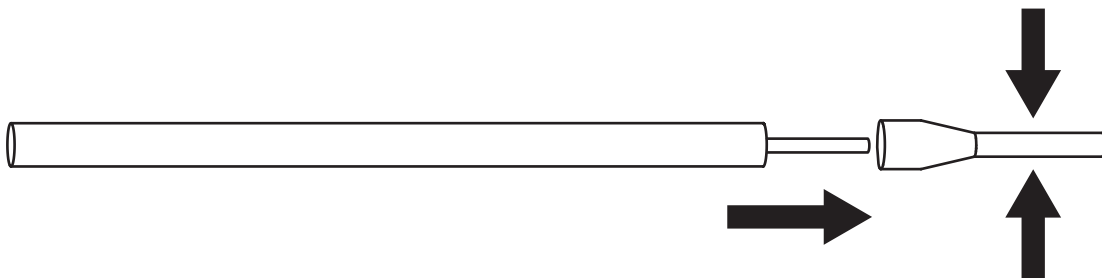
### 3.4

## Klemme endehylsene

#### Prosedyre:

1. Ta hylsen av ledningsnettets for alarmsystemet.
2. Sett inn i de medfølgende endehylsene, og klem dem med en klemtang.

**Figur 8: Klemme endehylsene.**



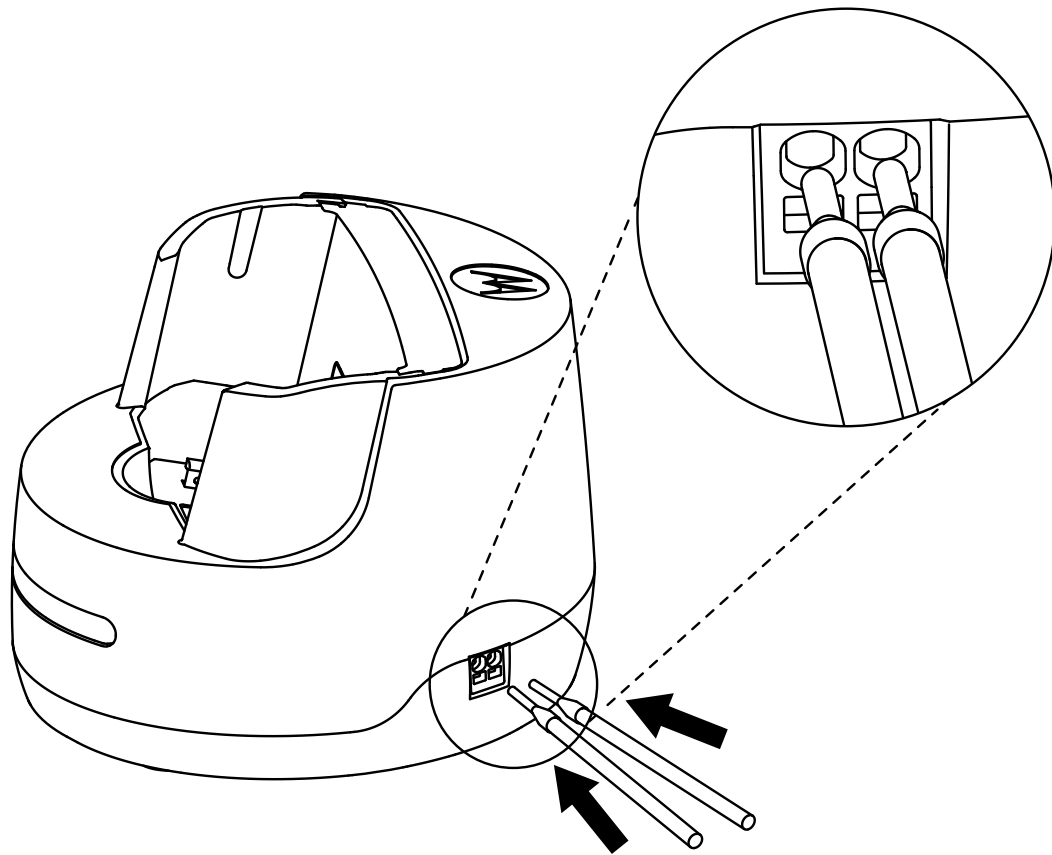
### 3.5

## Koble alarmsystemet til hjemmestasjonen

#### Prosedyre:

Sett inn ledningene med klemte endehylser i hver av de to øverste hullene på relékontakten.

Figur 9: Sette inn endehylser i relékontakten



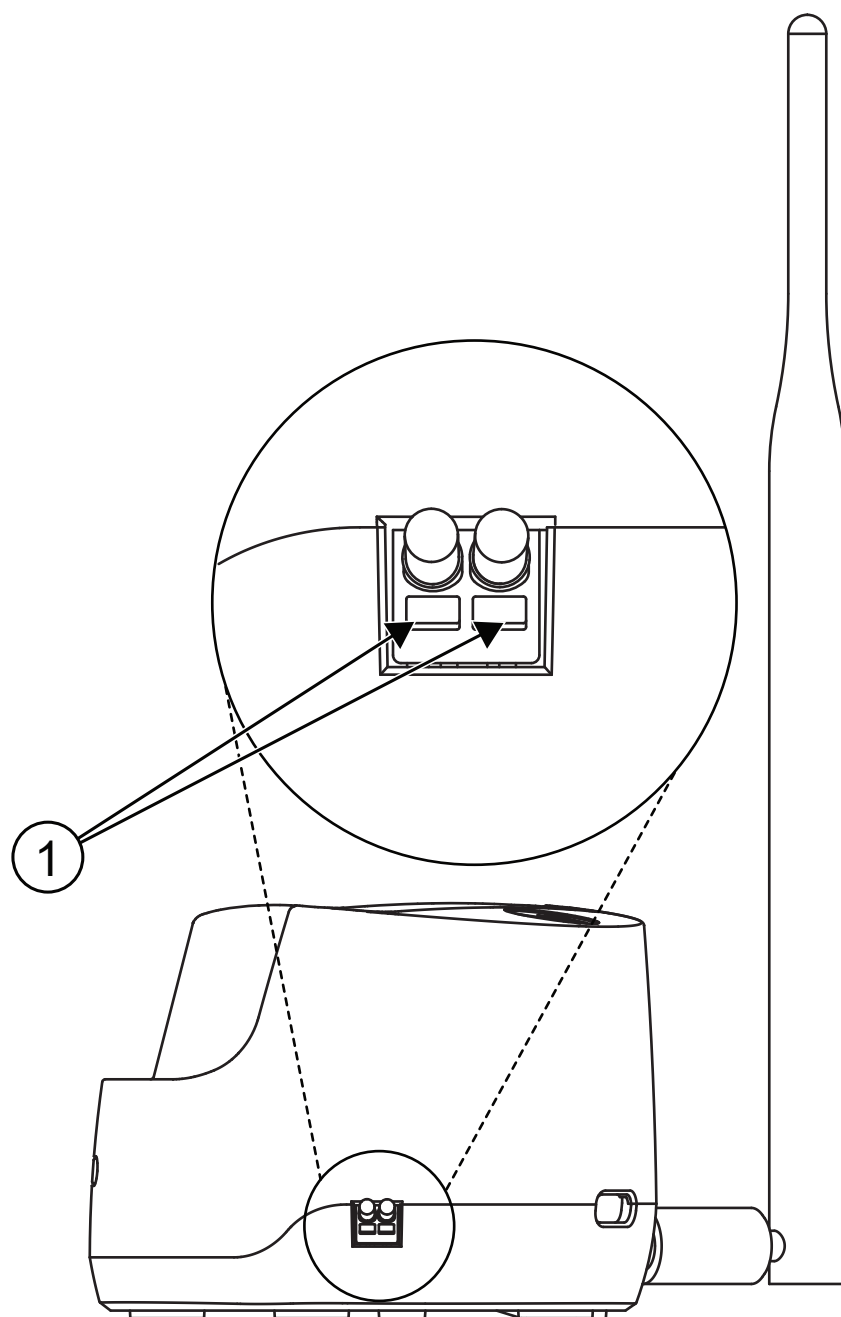
### 3.6

## Koble alarmsystemet fra hjemmestasjonen

### Prosedyre:

1. Bruk et skarpt objekt til å aktivere spakene på relékontakten, for å fjerne de eksterne alarmledningene.
2. Dra ledningene ut når spakene er aktivert.

**Figur 10: Spakene på relékontakten**



---

**Element**

**Beskrivelse**

---

1

Spaker

---