

**RF Energy Exposure and Product Safety Guide for Portable Two-Way Radios**

**ATTENTION**

Before using this product, read the RF Energy Exposure and Product Safety Guide that shipped with the radio which contains instructions for safe usage and RF energy awareness and control for compliance with applicable standards and regulation.

This device complies with part 15 of the FCC Rules and Industry Canada licence-exempt RSS standard(s). Operation is subject to the following two conditions: (1) this device may not cause interference, and (2) this device must accept any interference, including interference that may cause undesired operation of the device.

This class B digital apparatus complies with Canadian ICES-003.

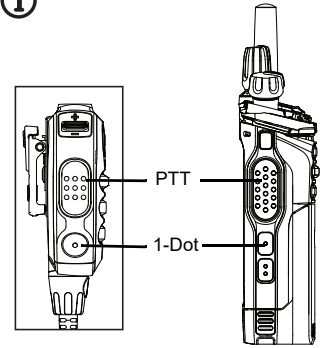
**Warranty**

Motorola Solutions offers warranty for your RSM. Refer to your Motorola Solutions dealer or point-of-purchase for detailed information.

**NOTE:** Warranty is void after customer replacement of any parts other than replacement parts listed.

**Open Source Software Legal Notices:**

This Motorola Solutions Product contains Open Source Software. For information regarding licenses, acknowledgments, required copyright notices, and other usage terms, refer to the Documentation for this Motorola Solutions Product at: <http://businessonline.motorolasolutions.com> Go to Resource Center > Product Information > Manual > Accessories > Remote Speaker Microphones



**Note:** Programmable buttons can be configured to other functions different than the same button on the radio. Refer to radio user manual for more information.

**XVE500**  
**IMPRES Remote Speaker**  
**Microphone with DincX Noise**  
**Suppression**  
**(PMMN4137\_, PMMN4137\_BLK)**

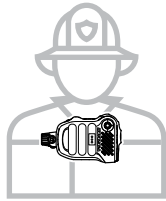
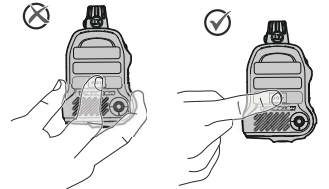
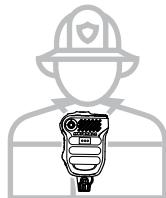
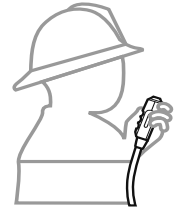
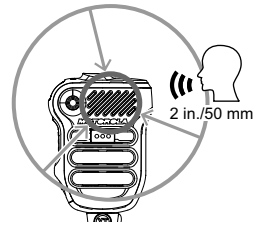
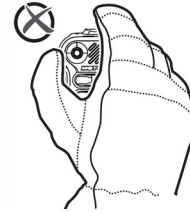
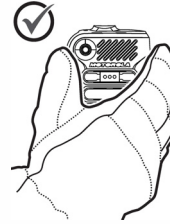
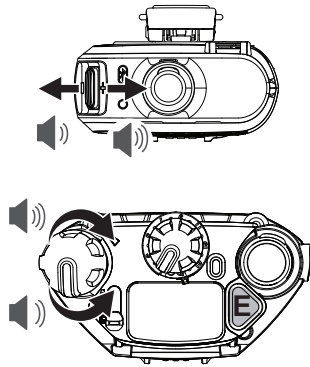
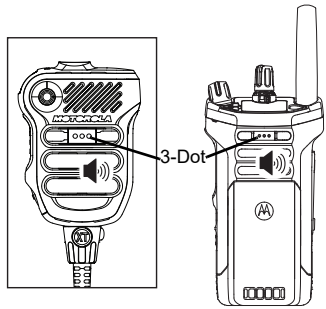


**MN007893A01-AB**

MOTOROLA, MOTO, MOTOROLA SOLUTIONS and the Stylized M logo are trademarks or registered trademarks of Motorola Trademark Holdings, LLC and are used under license. All other trademarks are the property of their respective owners.  
© 2021 Motorola Solutions, Inc. All rights reserved.



Printed in



**Best Transmit Practices**

- Hold the XVE500 1–2 inches from mouth or SCBA voice port.
- Speak in a loud, clear, and controlled voice.
- Speak louder than the background noise.
- When practical, shake the XVE500 to clear water before transmitting.

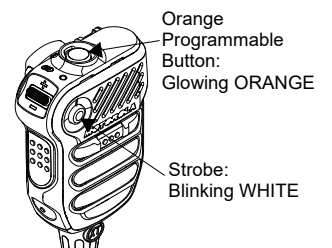
**Light Indicators**

State	Light	Indication
Powering Up	Strobe	Red LED illuminates until system initialization complete followed by blinking in white once
	Radio Status Indicator (LED)	Red LED blinks once
	Bluetooth Status Indicator (LED)	Bluetooth LED blinks once
	Orange Programmable Button	Orange LED blinks once

State	Light	Indication
Emergency	Strobe	White LED blinks in SOS pattern
	Orange Programmable Button	Orange LED solid ON
Error	Strobe	Red LED solid ON
Radio low battery detected when torch light is ON	Strobe	White LED blinking slowly followed by turning off
Bluetooth link is active	Bluetooth Status Indicator (LED)	Bluetooth LED solid ON

**Note:** Refer to radio user manual for more details.

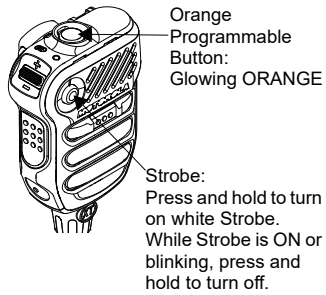
**Emergency Indicators**



Orange Programmable Button: Glowing ORANGE

Strobe: Blinking WHITE

**To Disable Strobe:**



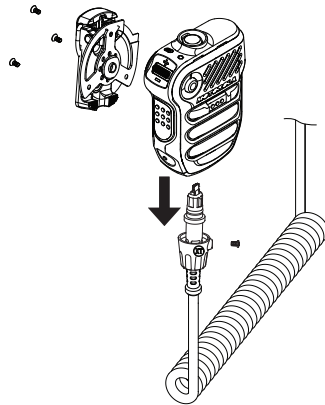
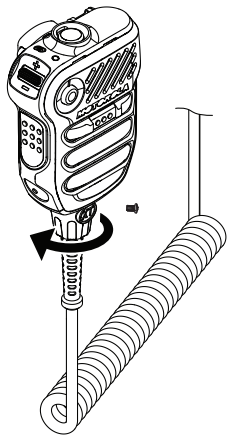
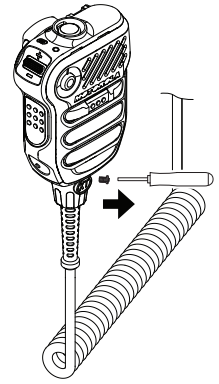
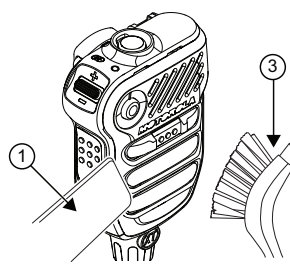
**Cleaning Procedure**

**Warning:**

Do **NOT** use solvents to clean your RSM as most chemicals may permanently damage the RSM housing and textures. Do **NOT** submerge the RSM in the detergent solution.

To clean the external surfaces of your radio, follow the next procedures:

1. Vacuum the front surface of the RSM. Avoid completely covering the speaker grill and microphone openings all at once with the nozzle.
2. Mix one teaspoon of mild dish-washing detergent to one gallon of water (0.5 % solution) to clean the external surfaces of the RSM.
3. Apply the solution sparingly with a stiff, non-metallic, short bristled brush, making sure excess detergent does not get entrapped near the connectors, controls or crevices. Dry the RSM thoroughly with a soft, lint-free cloth.



**Replacement Parts and Accessories**

Part Number	Description
30009402007	Extreme Temperature Replacement Cable
PMLN7633	Replacement Clip

**RSM Firmware Upgrades Notice**

- Radio checks the RSM firmware version automatically after power up.
- Older RSM firmware is upgraded automatically through the radio.
- RSM firmware upgrade process takes less than 20 seconds to complete.
- During firmware update, all buttons except PTT does not function and RSM power up light may blink.
- The power up light turns off to indicate that the RSM enters normal operation mode.

**Radio Firmware Requirement**

XVE 500 Remote Speaker Microphone (RSM) is only compatible with the following radio firmware version and later:

- APX Radios: R24.00.00
- APX Next Radios: R03.20.00

Refer to manual MN007960A01 for other languages at:

<https://learning.motorolasolutions.com/user-guide/71968enus>



Notes

Notes

Notes

Notes

Notes

Notes