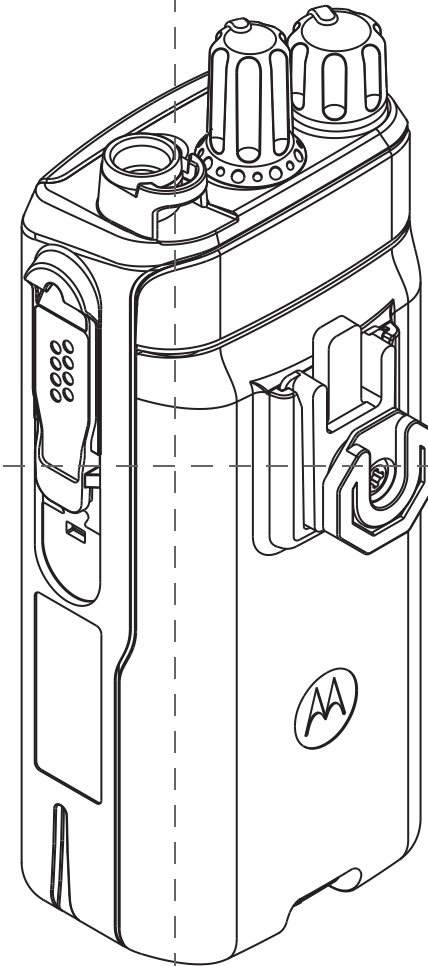
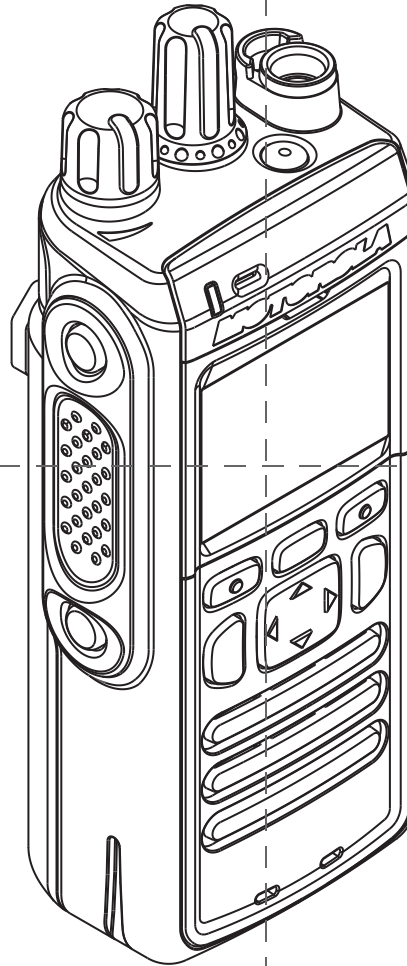
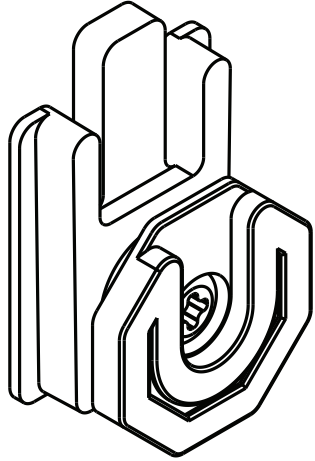


**Shoulder Wearing
Device Short Lever
PMLN8025**



MOTOROLA, MOTO, MOTOROLA SOLUTIONS and the Stylized

M logo are trademarks or registered trademarks of Motorola Trademark Holdings, LLC and are used under license. All other trademarks are the property of their respective owners.

© 2019 Motorola Solutions, Inc.



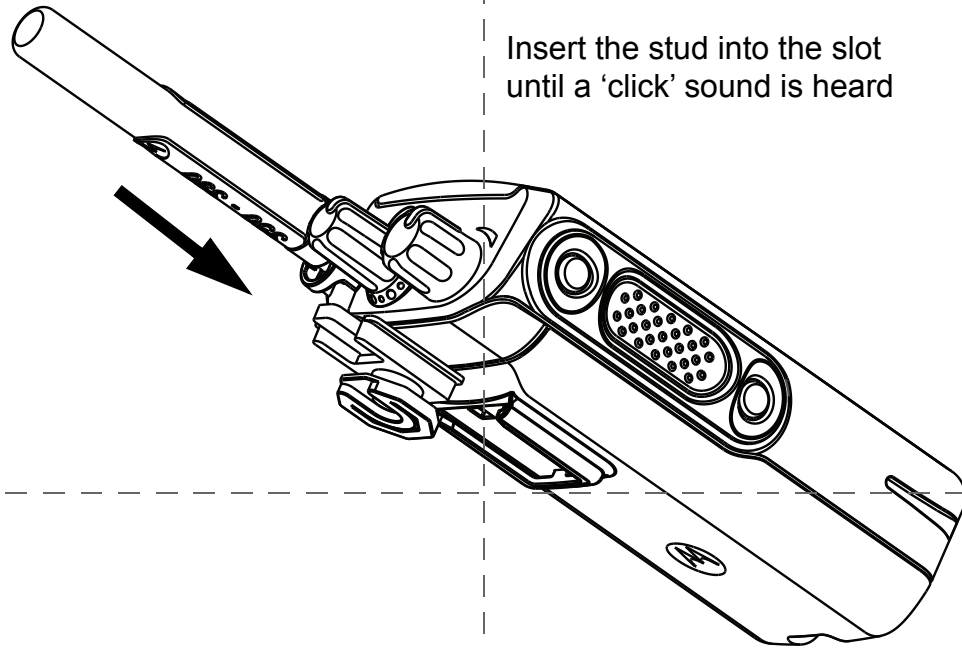
MN005814A01-AA

Printed In



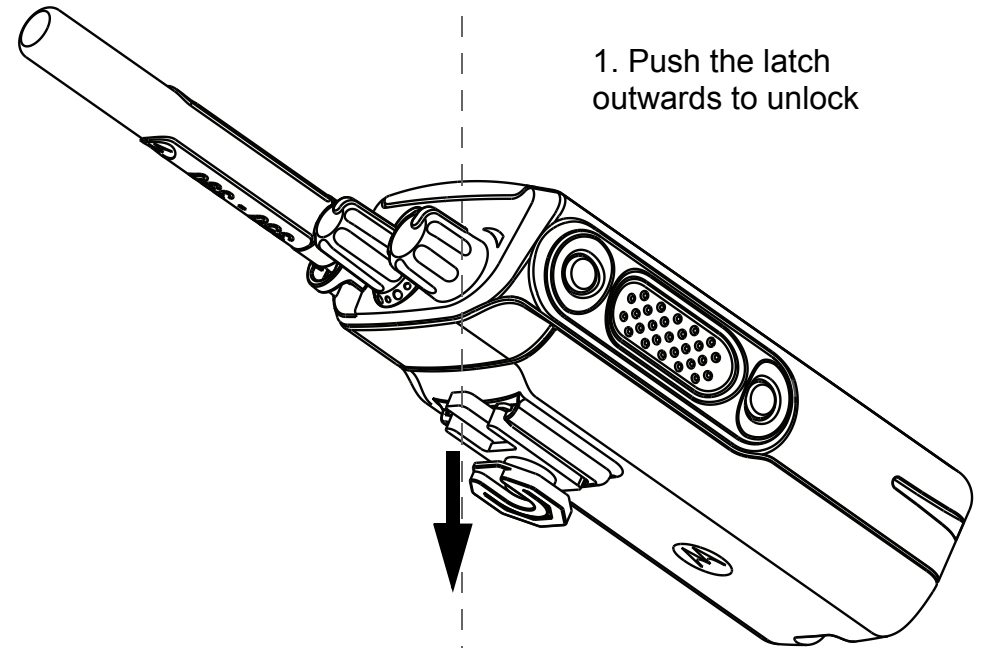
Assembling the Device

NOTE : Slide in and slide out the stud from the slot during assemble/disassemble. Do not push the stud against the radio.



Disassembling the Device

1. Push the latch outwards to unlock



2. Push the latch upwards after unlock to remove the stud

