



Single-Unit Charger PMPN4140 User Guide

en-US

fr-CA

es-LA

pt-BR

JUNE 2023



Safety and Legal

This section provides the safety and legal information for this product.

Intellectual Property and Regulatory Notices

Copyrights

The Motorola Solutions products described in this document may include copyrighted Motorola Solutions computer programs. Laws in the United States and other countries preserve for Motorola Solutions certain exclusive rights for copyrighted computer programs. Accordingly, any copyrighted Motorola Solutions computer programs contained in the Motorola Solutions products described in this document may not be copied or reproduced in any manner without the express written permission of Motorola Solutions.

No part of this document may be reproduced, transmitted, stored in a retrieval system, or translated into any language or computer language, in any form or by any means, without the prior written permission of Motorola Solutions, Inc.

Trademarks

MOTOROLA, MOTO, MOTOROLA SOLUTIONS, and the Stylized M Logo are trademarks or registered trademarks of Motorola Trademark Holdings, LLC and are used under license. All other trademarks are the property of their respective owners.

License Rights

The purchase of Motorola Solutions products shall not be deemed to grant either directly or by implication, estoppel or otherwise, any license under the copyrights, patents or patent applications of Motorola Solutions, except for the normal non-exclusive, royalty-free license to use that arises by operation of law in the sale of a product.

Open Source Content

This product may contain Open Source software used under license. Refer to the product installation media for full Open Source Legal Notices and Attribution content.

European Union (EU) and United Kingdom (UK) Waste of Electrical and Electronic Equipment (WEEE) Directive



The European Union's WEEE directive and the UK's WEEE regulation require that products sold into EU countries and the UK must have the crossed-out wheeled bin label on the product (or the package in some cases). As defined by the WEEE directive, this crossed-out wheeled bin label means that customers and end-users in EU and UK countries should not dispose of electronic and electrical equipment or accessories in household waste.

Customers or end-users in EU and UK countries should contact their local equipment supplier representative or service centre for information about the waste collection system in their country.

Disclaimer

Please note that certain features, facilities, and capabilities described in this document may not be applicable to or licensed for use on a specific system, or may be dependent upon the characteristics of

a specific mobile subscriber unit or configuration of certain parameters. Please refer to your Motorola Solutions contact for further information.

© 2023 Motorola Solutions, Inc. All Rights Reserved

Supplier's Declaration of Conformity

Supplier's Declaration of Conformity

Per FCC CFR 47 Part 2 Section 2.1077(a)



Responsible Party

Name: Motorola Solutions, Inc.

Address: 2000 Progress Pkwy, Schaumburg, IL. 60196

Phone Number: 1-800-927-2744

Hereby declares that the product:

Model Name: **PMPN4140**

conforms to the following regulations:

FCC Part 15, subpart B, section 15.107(a), and section 15.109(a)

Class B Digital Device

This device complies with Part 15 of the FCC Rules. Operation is subject to the following two conditions:

- 1 This device may not cause harmful interference, and
- 2 This device must accept any interference received, including interference that may cause undesired operation.



NOTE:

This equipment has been tested and found to comply with the limits for a Class B digital device, pursuant to part 15 of the FCC Rules. These limits are designed to provide reasonable protection against harmful interference in a residential installation. This equipment generates, uses and can radiate radio frequency energy and, if not installed and used in accordance with the instructions, may cause harmful interference to radio communications. However, there is no guarantee that interference will not occur in a particular installation.

If this equipment does cause harmful interference to radio or television reception, which can be determined by turning the equipment off and on, the user is encouraged to try to correct the interference by one or more of the following measures:

- Reorient or relocate the receiving antenna.
- Increase the separation between the equipment and receiver.
- Connect the equipment into an outlet on a circuit different from that to which the receiver is connected.
- Consult the dealer or an experienced radio or TV technician for help.

Important Safety Instructions

This document contains important safety and operating instructions. Please read these instructions carefully and save them for future reference.

Before using the battery charger, read all the instructions and cautionary markings on the charger, the battery, and the radio using the battery.



WARNING:

- To reduce the risk of damage to the power cord, pull the plug rather than the cord when disconnecting power cord from the AC outlet or the charger.
- To reduce the risk of fire or electric shock, avoid using an extension cord. If an extension cord must be used, ensure that the cord size is 18 AWG for lengths of up to 6.5 feet (2 m), and 16 AWG for lengths up to 9.8 feet (3 m).
- To reduce the risk of fire, electric shock, or injury, do not operate the charger if it is broken or damaged in any way. Take it to a qualified Motorola Solutions service representative.
- To reduce the risk of fire or electric shock, do not disassemble the charger. It is not repairable and replacement parts are not available.
- To reduce the risk of electric shock, unplug the charger power adapter from the AC outlet before attempting any maintenance or cleaning.
- To reduce the risk of injury, charge only the rechargeable authorized batteries. Other batteries may explode, causing personal injury and damage.
- To reduce the risk of fire, electric shock, or injury, only use the accessories recommended by Motorola Solutions.
- Changes or modifications made to this device, not expressly approved by Motorola Solutions, could void the authority of the user to operate this equipment.

Operational Safety Guidelines

- This equipment is not suitable for outdoor use. Use only in dry locations or conditions.
- Connect the equipment only to an appropriately fused and wired supply of the correct voltage, as specified on the product.
- Disconnect from line voltage by removing the main plug from the outlet.
- The socket outlet to which this equipment is connected must be close by and easily accessible.
- Maximum ambient temperature around the charger must not exceed 40 °C (104 °F).
- Ensure that the cord is located in an area that is safe from being stepped on, tripped over, or subjected to water, damage, or stress.
- Output power from power supply unit must not exceed the ratings specified on the product label located on the bottom of the charger.

Contact Us

The Centralized Managed Support Operations (CMSO) is the primary contact for technical support included in your organization's service agreement with Motorola Solutions.

Service agreement customers should be sure to call the CMSO in all situations listed under Customer Responsibilities in their agreement, such as:

- To confirm troubleshooting results and analysis before taking action

Your organization received support phone numbers and other contact information appropriate for your geographic region and service agreement. Use that contact information for the most efficient response. However, if needed, you can also find general support contact information on the Motorola Solutions website, by following these steps:

- 1 Enter motorolasolutions.com in your browser.
- 2 Ensure that your organization's country or region is displayed on the page. Clicking or tapping the name of the region provides a way to change it.
- 3 Select "Support" on the motorolasolutions.com page.

Comments

Send questions and comments regarding user documentation to documentation@motorolasolutions.com.


Provide the following information when reporting a documentation error:

- The document title and part number
- The page number or title of the section with the error
- A description of the error

Motorola Solutions offers various courses designed to assist in learning about the system. For information, go to <https://learning.motorolasolutions.com> to view the current course offerings and technology paths.

Style Conventions

The following style conventions are used:

Convention	Description
Bold	This typeface is used for names of, for instance, windows, buttons, and labels when these names appear on the screen (example: the Alarms Browser window). When it is clear that we are referring to, for instance, a button, the name is used alone (example: Click OK).
Monospacing font in bold	This typeface is used for words to be typed in exactly as they are shown in the text (example: In the Address field, type <code>http://ucs01.ucs:9080/</code>).
Monospacing font	This typeface is used for messages, prompts, and other text displayed on the computer screen (example: A new trap destination has been added).
<i><Monospacing font in bold Italic></i>	This typeface is used with angle brackets as placeholders for a specific member of the group that the words represent (example: <i><router number></i>).  NOTE: In sequences to be typed in, the angle brackets are omitted to avoid confusion whether to include the angle brackets in the text to be typed.
CAPITAL LETTERS	This typeface is used for keyboard keys (example: Press Y, and then press ENTER).
<i>Italic</i>	This typeface is used for citations. A citation usually is the name of a document or a phrase from another document (example: <i>Dimetra IP System Overview</i>).
→	An → (arrow pointing right) is used for indicating the menu or tab structure in instructions on how to select a certain menu item (example: File → Save) or a certain sub-tab.

Icon Conventions

The documentation set is designed to give the reader more visual clues. The following graphic icons are used throughout the documentation set.



DANGER: The signal word DANGER with the associated safety icon implies information that, if disregarded, will result in death or serious injury.



WARNING: The signal word WARNING with the associated safety icon implies information that, if disregarded, could result in death or serious injury, or serious product damage.



CAUTION: The signal word CAUTION with the associated safety icon implies information that, if disregarded, may result in minor or moderate injury, or serious product damage.

CAUTION: The signal word CAUTION may be used without the safety icon to state potential damage or injury that is not related to the product.



IMPORTANT: IMPORTANT statements contain information that is crucial to the discussion at hand, but is not CAUTION or WARNING. There is no warning level associated with the IMPORTANT statement.



NOTE: NOTICE contains information more important than the surrounding text, such as exceptions or preconditions. They also refer the reader elsewhere for additional information, remind the reader how to complete an action (when it is not part of the current procedure, for instance), or tell the reader where something is on the screen. There is no warning level associated with a notice.

Contents

Safety and Legal	2
Intellectual Property and Regulatory Notices.....	2
Supplier's Declaration of Conformity.....	3
Important Safety Instructions.....	4
Operational Safety Guidelines.....	4
Contact Us	5
Style Conventions	6
Icon Conventions	7
Chapter 1: About the Charger	9
1.1 Charger Specification.....	9
Chapter 2: Authorized Power Supplies and Batteries	10
2.1 Motorola Solutions Authorized Batteries.....	10
2.2 Motorola Solutions Authorized Power Supplies.....	10
Chapter 3: Operating Instructions	11
3.1 Charging Indicators.....	12
Chapter 4: Troubleshooting	13
Chapter 5: Service	14

Chapter 1

About the Charger

The Mag One Tri-Chem Rapid Charger (PMPN4140) allows the drop-in charging of the battery while attached to the radio or separately.



1.1

Charger Specification

Battery Charging Temperature

To ensure a successful charging process, it is recommended to maintain the battery temperature between 5 °C to 40 °C.

To get maximum use from a new battery, charge it overnight (12–16 hours) before using the battery for the first time.

For optimum charger performance, perform the following actions:

- Charge battery at 20 °C to 25 °C ambient temperatures.
- Turn off the radio.



NOTE: The estimated time required to fully charge the discharged battery is typically within 2.5–3 hours depending on cell chemistry.

Chapter 2

Authorized Power Supplies and Batteries

This section list out authorized accessories to be used with your charger.

2.1

Motorola Solutions Authorized Batteries

Table 1: Motorola Solutions Authorized Batteries

Kit (Part Number)	Description
PMNN4071_	Nickel-Metal Hydride Battery, 1200 mAH
PMNN4075_	Lithium Ion Battery, 1500 mAH

2.2

Motorola Solutions Authorized Power Supplies

Table 2: Motorola Solutions Authorized Power Supplies

Charger Kit Number	Charger Base	Power Source	Power Supply Part Number
PMLN5043_	PMLN5041_	108–132 VAC (United States)	25009297001
PMLN5044_	PMLN5041_	220–240 VAC (Europe)	PS000037A01
PMLN5046_	PMLN5041_	220–240 VAC (United Kingdom)	PS000037A02
PMLN5055_	PMLN5041_	220–240 VAC (China)	PS000037A05
PMLN5048_	PMPN4140_	108-132 VAC (United States)	25009297001
PMPN4171_	PMPN4140_	108-132 VAC (United States)	25009297001

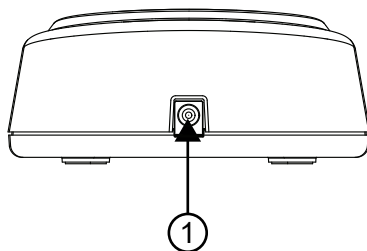
Chapter 3

Operating Instructions

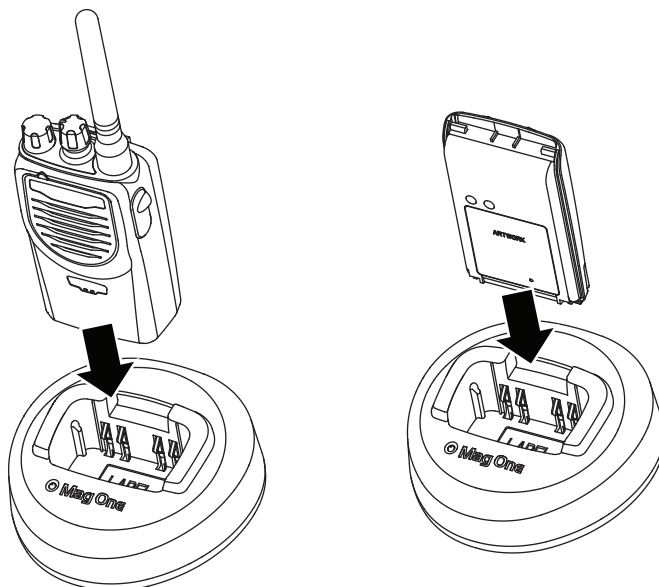
The charger pockets accommodate either a radio with an attached Motorola Solutions-approved battery, or a Motorola Solutions-approved battery alone. Batteries charge best at room temperature.

Procedure:

- 1 Plug the round end of the transformer cord into the socket (1) at the back of the charger.



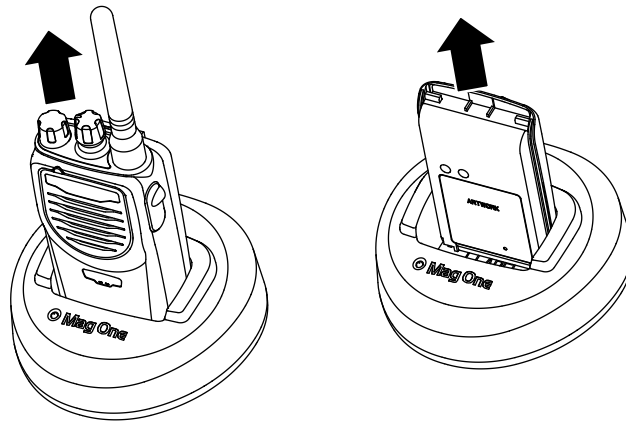
- 2 Plug the transformer into the appropriate Alternating Current (AC) outlet.
A successful power-up sequence is indicated by a single green blink on the charger indicator. Refer to the [Charging Indicators on page 12](#).
- 3 Insert a Motorola Solutions-approved battery, or a radio with a Motorola Solutions-approved battery into the charger pocket.



- a Align the battery contacts with the charger contacts.
- b Press the battery into the pocket, ensuring complete contact.

Once the Motorola Solutions-approved battery is properly seated into the pocket, the charger indicator illuminates, indicating the charger has recognized the presence of the battery.







- 4 To remove a radio or Motorola Solutions-approved battery from the charger, pull straight up until the battery completely clears the charger housing.



3.1

Charging Indicators



Table 3: Charging Indicators

LED Indicator	Description
Green for approximately one second 	Successful charger power-up.
Blinking Red 	Battery is unchargeable or not making proper contact.
Steady Red 	Battery in rapid charge mode.
Blinking Yellow 	<ul style="list-style-type: none">• Battery is in charger• Battery is waiting to be charged
Blinking Green 	Battery is charged to 90 % or greater capacity.
Steady Green 	Battery is fully charged.

Chapter 4

Troubleshooting

Table 4: Troubleshooting

Problem	What it means...	What to do...
No LED indication	<ul style="list-style-type: none"> No charger contact. No power to the charger. 	<p>Check that the radio with battery or the battery is inserted correctly.</p> <ul style="list-style-type: none"> Make sure that the power cord is securely plugged into the charger and an appropriate AC outlet, and that there is power to the outlet.
Blinking red indication	<ul style="list-style-type: none"> No charger contact. Battery is not chargeable. 	<p>Remove the battery from the charger and replace it back into the charger.</p> <ul style="list-style-type: none"> Verify that the battery is a Motorola Solutions authorized battery listed in Motorola Solutions Authorized Batteries on page 10. Other batteries might not charge. Remove the battery from the charger, and clean the charging contact at the back of the battery using pencil eraser. Replace battery.
Blinking yellow indication	<p>Battery is waiting to charge. The battery temperature might be below 5 °C (41 °F) or above 40 °C (104 °F) or the battery voltage might be lower than the predetermined threshold level for rapid charging.</p>	<p>When this condition is corrected, the battery charges automatically.</p> <p> NOTE: Rapid charging outside of the stated temperature and voltage limits can drastically reduce the life expectancy of the battery.</p> <p> NOTE: When the battery charger detects the proper battery conditions, rapid charging begins automatically (steady red LED).</p>

Chapter 5

Service

The SUCs are not repairable. Order replacement chargers as necessary from your local Motorola Solutions Sales Representative.



Guide d'utilisation du chargeur individuel PMPN4140

JUIN 2023

© 2023 Motorola Solutions, Inc. All rights reserved



MN010027A01-AA

Sécurité et aspect juridique

Cette section fournit des renseignements sur la sécurité et l'aspect juridique pour ce produit.

Propriété intellectuelle et avis réglementaires

Droits d'auteur

Les produits Motorola Solutions décrits dans ce document peuvent inclure des programmes informatiques protégés par des droits d'auteur de Motorola Solutions. Les lois des États-Unis et d'autres pays réservent à Motorola Solutions certains droits exclusifs pour les programmes informatiques protégés par droits d'auteur. Par conséquent, tout programme informatique protégé par droits d'auteur de Motorola Solutions compris dans les produits Motorola Solutions décrits dans le présent document ne peut être copié ni reproduit de quelque manière que ce soit sans l'autorisation écrite expresse de Motorola Solutions.

Aucune partie du présent document ne peut être reproduite, transmise, stockée dans un système de recherche documentaire ou traduite dans une autre langue ou dans un langage informatique, sous quelque forme ou par quelque moyen que ce soit, sans l'autorisation écrite préalable de Motorola Solutions, Inc.

Marques de commerce

MOTOROLA, MOTO, MOTOROLA SOLUTIONS et le logo au M stylisé sont des marques de commerce ou des marques déposées de Motorola Trademark Holdings, LLC et sont utilisées sous licence. Toutes les autres marques de commerce sont la propriété de leurs détenteurs respectifs.

Droits de licence

L'achat de produits Motorola Solutions ne peut être considéré comme une transaction octroyant directement, par inférence, estoppel ou autrement une licence en vertu des droits d'auteur, des droits de brevets ou d'une demande de brevet de Motorola Solutions, à l'exception d'une licence d'utilisation normale et non exclusive, libre de toute redevance, prévue par la loi lors de la vente d'un produit.

Contenu à code source libre

Ce produit peut contenir des logiciels libres utilisés sous licence. Reportez-vous au support d'installation du produit pour obtenir tous les avis juridiques relatifs aux logiciels libres et aux contenus d'attribution.

Directive sur la mise au rebut des équipements électriques et électroniques (DEEE) de l'Union européenne (UE) et du Royaume-Uni (RU)



La directive DEEE de l'Union européenne et les réglementations DEEE du Royaume-Uni exigent que les produits (ou leur emballage, dans certains cas) vendus dans les pays de l'UE ou au Royaume-Uni portent l'étiquette de la poubelle barrée. Comme le définit la directive DEEE, cette étiquette de poubelle barrée signifie que les clients et les utilisateurs finaux dans les pays de l'UE et du RU ne doivent pas jeter les équipements électriques et électroniques ou leurs accessoires dans les ordures domestiques.

Les clients ou les utilisateurs finaux dans les pays de l'UE et du RU doivent communiquer avec le représentant ou le centre de service local de leur fournisseur d'équipements pour obtenir des renseignements sur le système de collecte des déchets de leur pays.

Avis de non-responsabilité

Veillez noter que certaines fonctionnalités, installations et capacités décrites dans ce document pourraient ne pas s'appliquer ou être accordées sous licence pour l'utilisation sur un système particulier ou pourraient dépendre des caractéristiques d'une unité mobile d'abonné ou d'une configuration de certains paramètres. Veuillez consulter votre personne-ressource chez Motorola Solutions pour en savoir plus.

© 2023 Motorola Solutions, Inc. Tous droits réservés

Déclaration de conformité du fournisseur

Déclaration de conformité du fournisseur

Règlement CFR 47, partie 2, section 2.1077(a) de la FCC



Partie responsable

Nom : Motorola Solutions, Inc.

Adresse : 2000 Progress Pkwy, Schaumburg, IL. 60196

Numéro de téléphone : 1 800 927-2744

Déclare par les présentes que le produit :

Nom du modèle : **PMPN4140**

est conforme aux réglementations suivantes :

Partie 15, sous-partie B, section 15.107(a) et section 15.109(a) des règlements de la FCC

Appareil numérique de classe B

Cet appareil est conforme aux stipulations de la Partie 15 des règlements de la FCC. Son utilisation est assujettie aux deux conditions suivantes :

1 Cet appareil ne doit pas causer d'interférence nuisible; et

- 2 Cet appareil doit accepter toute interférence reçue, y compris les interférences pouvant entraîner un fonctionnement indésirable.



REMARQUE :

Cet équipement a fait l'objet de tests et a été déclaré conforme aux limites établies pour un appareil numérique de classe B, conformément à la section 15 des règlements de la FCC. Ces limites sont fixées afin d'offrir une protection suffisante contre des interférences nuisibles dans une installation résidentielle. Cet équipement génère, utilise et peut émettre de l'énergie de radiofréquence et, s'il n'est pas installé ou utilisé conformément aux instructions, il peut provoquer un brouillage nuisible aux communications radio. Cependant, il est impossible de garantir qu'il n'y aura aucune interférence dans une installation particulière.

Si cet appareil cause une interférence nuisible à la réception de la radio ou de la télévision, ce qui peut être déterminé en éteignant et en allumant l'appareil, vous êtes encouragé à remédier à la situation en prenant une ou plusieurs des mesures suivantes :

- Réorienter ou déplacer l'antenne réceptrice.
- Augmenter la distance entre l'équipement et le récepteur.
- Brancher l'appareil dans une autre prise sur un circuit différent de celui du récepteur.
- Consulter le distributeur ou un technicien de radio ou de télévision chevronné pour obtenir de l'aide.

Instructions importantes sur la sécurité

Ce document contient d'importantes instructions relatives à la sécurité et au fonctionnement de l'appareil. Veuillez lire attentivement ces instructions et les conserver pour vous y référer ultérieurement.

Avant d'utiliser le chargeur de batterie, lisez toutes les directives et tous les marquages d'avertissement sur le chargeur, la batterie et la radio associée à la batterie.



AVERTISSEMENT :

- Pour réduire les risques d'endommager le cordon d'alimentation, tirez sur la prise et non sur le cordon au moment de le débrancher de la prise c.a. ou du chargeur.
- Pour réduire les risques d'incendie ou de décharge électrique, évitez d'utiliser une rallonge électrique. Si une rallonge doit être utilisée, assurez-vous que le format du cordon est de calibre 18 lorsque sa longueur est de 2 m (6,5 pi) ou moins et de calibre 16 lorsque sa longueur est de 3 m (9,8 pi).
- Pour réduire les risques d'incendie, de décharge électrique ou de blessure, n'utilisez pas le chargeur s'il est brisé ou endommagé de quelque manière que ce soit. Apportez-le à un représentant de service qualifié de Motorola Solutions.
- Pour réduire les risques d'incendie ou de décharge électrique, ne démontez pas le chargeur. Il ne peut pas être réparé et aucune pièce de rechange n'est disponible.
- Pour réduire les risques de décharge électrique, débranchez l'adaptateur d'alimentation du chargeur de la prise c.a. avant de procéder à une maintenance ou à un nettoyage.
- Pour réduire les risques de blessure, ne chargez que les batteries rechargeables agréées. D'autres batteries peuvent exploser, causant des blessures et des dommages.
- Pour réduire les risques d'incendie, de décharge électrique ou de blessure, n'utilisez que les accessoires recommandés par Motorola Solutions.

- Toute modification apportée à cet appareil sans l'autorisation explicite de Motorola Solutions peut annuler l'autorisation d'utiliser cet appareil.

Directives d'utilisation sécuritaire

- Cet équipement n'est pas conçu pour une utilisation à l'extérieur. Ne l'utilisez que dans des emplacements secs et sous des conditions de nature semblable.
- Ne branchez l'équipement qu'à un bloc d'alimentation à fusible câblé approprié de tension prescrite (telle que spécifiée sur le produit).
- Débranchez le chargeur de la tension de secteur en retirant la fiche d'alimentation de la prise de courant.
- La prise de courant à laquelle cet équipement est branché doit se trouver à proximité et être facilement accessible.
- La température ambiante maximale autour du chargeur ne doit pas dépasser 40 °C (104 °F).
- Assurez-vous que le cordon est placé à un endroit où il ne sera pas écrasé ou endommagé, ne gênera pas le passage, ne sera pas tendu de façon anormale et ne sera pas exposé à une source d'humidité.
- La puissance de sortie du bloc d'alimentation ne doit pas dépasser la puissance indiquée sur l'étiquette du produit apposée sous le chargeur.

Communiquer avec nous

Le centre des opérations de soutien centralisé (« Centralized Managed Support Operations » ou CMSO) est le point de contact principal pour le soutien technique compris dans l'entente de service de votre organisation avec Motorola Solutions.

Les clients disposant d'ententes de service doivent s'assurer d'appeler le CMSO dans toutes les situations énumérées dans la section Responsabilités du client de leur entente de service, notamment :

- Pour confirmer les résultats du dépannage et de l'analyse avant de prendre des mesures

Votre entreprise a reçu les numéros de téléphone du soutien et d'autres coordonnées appropriées pour votre région géographique et votre entente de service. Utilisez ces informations pour obtenir la meilleure réponse possible. Cependant, si nécessaire, vous pouvez également trouver les coordonnées du soutien général sur le site Web de Motorola Solutions, en suivant ces étapes :

- 1 Entrez motorolasolutions.com dans votre navigateur.
- 2 Vous devez vous assurer que le pays ou la région de votre organisation se trouve sur la page. Cliquez ou appuyez sur le nom de la région pour la changer.
- 3 Sélectionnez « Soutien » à la page motorolasolutions.com.

Commentaires

Envoyez vos questions et commentaires sur la documentation à l'adresse documentation@motorolasolutions.com.


Pour signaler une erreur dans la documentation, veuillez fournir les renseignements suivants :

- Le titre et le numéro de pièce du document
- Le numéro de la page ou le titre de la section contenant l'erreur
- Une description de l'erreur

Motorola offre plusieurs cours conçus pour vous aider à apprendre à utiliser le système. Pour en savoir davantage et consulter la liste des cours actuellement offerts et les parcours technologiques, accédez à <https://learning.motorolasolutions.com>.

Conventions de style

Les conventions de style suivantes sont utilisées :

Convention	Description
Gras	Ce type de police est utilisé pour les noms de fenêtres, de touches et d'étiquettes, lorsque ces noms apparaissent à l'écran (par exemple : fenêtre Alarms Browser). Lorsqu'il est clair que nous faisons référence, par exemple, à une touche, le nom est utilisé seul (exemple : Cliquez sur OK).
Monospacing font in bold	Ce type de police est utilisé pour les mots qui doivent être tapés exactement comme ils sont illustrés dans le texte (exemple : Dans le champ Address , tapez <code>http://ucs01.ucs:9080/</code>).
Police à espacement constant	Ce type de police est utilisé pour les messages, les messages-guides et autres textes affichés à l'écran de l'ordinateur (exemple : Une nouvelle destination de rejet a été ajoutée).
<Police à espacement constant en gras italique>	Ce type de police est utilisé avec des crochets en chevron pour identifier un paramètre fictif pour un membre spécifique du groupe que les mots représentent (exemple : <numéro de routeur>).  REMARQUE : Dans les séquences à taper, les crochets en chevron sont omis afin d'éviter toute confusion quant à l'inclusion des crochets dans le texte à taper.
CAPITAL LETTERS	Ce type de caractères est utilisé pour les touches de clavier (exemple : Appuyez sur Y, puis sur ENTER).
<i>Italique</i>	Ce type de police est utilisé pour les citations. Une citation est habituellement le nom d'un document ou une phrase provenant d'un autre document (par exemple : <i>Présentation du système Dimetra IP</i>).
→	Un signe → (flèche pointant vers la droite) sert à indiquer la structure de menu ou d'onglet dans les instructions pour sélectionner un élément de menu (par exemple : File → Save) ou un sous-onglet particulier.

Conventions des icônes

L'ensemble de documentation est conçu pour donner au lecteur plus d'indices visuels. Les icônes suivantes sont utilisées dans tout l'ensemble de documentation.



DANGER :

Le mot-indicateur DANGER avec l'icône de sécurité associée comprend de l'information qui, si elle est ignorée, peut entraîner la mort ou des blessures graves.



AVERTISSEMENT :

Le mot-indicateur AVERTISSEMENT avec l'icône de sécurité associée comprend de l'information qui, si elle est ignorée, peut entraîner la mort ou des blessures graves ou de graves dommages au produit.



MISE EN GARDE :

Le mot-indicateur MISE EN GARDE avec l'icône de sécurité associée comprend de l'information qui, si elle est ignorée, peut entraîner des blessures mineures ou modérées ou de graves dommages au produit.

MISE EN GARDE :

Le mot-indicateur MISE EN GARDE peut être utilisé sans l'icône de sécurité pour signaler de possibles blessures ou dommages qui ne sont pas liés au produit.



IMPORTANT :

Les énoncés avec le mot-indicateur IMPORTANT contiennent de l'information cruciale sur le sujet abordé, mais ne sont pas des MISES EN GARDE ni des AVERTISSEMENTS. Aucun niveau d'avertissement n'est associé aux énoncés « IMPORTANT ».



REMARQUE :

Un AVIS contient des informations plus importantes que le texte avoisinant, comme des exceptions ou des conditions préalables. Les avis peuvent également renvoyer le lecteur ailleurs pour des renseignements supplémentaires, lui rappeler comment effectuer une action (lorsqu'elle ne fait pas partie de la présente procédure, par exemple) ou lui dire où se trouve quelque chose à l'écran. Aucun niveau d'avertissement n'est associé à un avis.

Table des matières

Sécurité et aspect juridique.....	2
Propriété intellectuelle et avis réglementaires.....	2
Déclaration de conformité du fournisseur.....	3
Instructions importantes sur la sécurité.....	4
Directives d'utilisation sécuritaire.....	5
Communiquer avec nous.....	6
Conventions de style.....	7
Conventions des icônes.....	8
Chapitre 1 : À propos du chargeur.....	10
1.1 Spécifications du chargeur.....	10
Chapitre 2 : Batteries et blocs d'alimentation autorisés.....	11
2.1 Batteries approuvées par Motorola Solutions.....	11
2.2 Blocs d'alimentation approuvés par Motorola Solutions.....	11
Chapitre 3 : Consignes d'utilisation.....	12
3.1 Indicateurs de charge.....	13
Chapitre 4 : Dépannage.....	15
Chapitre 5 : Service.....	17

Chapitre 1

À propos du chargeur

Le chargeur rapide Mag One Tri-Chem (PMPN4140) permet de recharger la batterie quand elle est branchée à la radio ou séparément.



1.1

Spécifications du chargeur

Température de charge de la batterie

Pour assurer un processus de chargement efficace, il est recommandé de maintenir la température de la batterie entre 5 °C et 40 °C.

Pour maximiser l'utilisation d'une nouvelle batterie, chargez-la pendant la nuit (12 à 16 heures) avant d'utiliser la batterie pour la première fois.

Pour optimiser la performance du chargeur, effectuez les actions suivantes :

- Chargez la batterie à des températures ambiantes de 20 °C à 25 °C.
- Éteignez la radio.



REMARQUE :

Le temps estimé nécessaire pour recharger complètement la batterie déchargée est généralement de 2,5 à 3 heures, selon la composition chimique de la cellule.

Chapitre 2

Batteries et blocs d'alimentation autorisés

Cette section énumère les accessoires autorisés à utiliser avec votre chargeur.

2.1

Batteries approuvées par Motorola Solutions

Tableau 1 : Batteries approuvées par Motorola Solutions

Trousse (Numéro de pièce)	Description
PMNN4071_	Batterie au nickel-métal-hydrure, 1 200 mAh
PMNN4075_	Batterie au lithium-ion, 1 500 mAh

2.2

Blocs d'alimentation approuvés par Motorola Solutions

Tableau 2 : Blocs d'alimentation approuvés par Motorola Solutions

Numéro de trousse du chargeur	Base du chargeur	Source d'alimentation	Numéro de pièce du bloc d'alimentation
PMLN5043_	PMLN5041_	108 à 132 V c.a. (États-Unis)	25009297001
PMLN5044_	PMLN5041_	220 à 240 V c.a. (Europe)	PS000037A01
PMLN5046_	PMLN5041_	220 à 240 V c.a. (Royaume-Uni)	PS000037A02
PMLN5055_	PMLN5041_	220 à 240 V c.a. (Chine)	PS000037A05
PMLN5048_	PMPN4140_	108 à 132 V c.a. (États-Unis)	25009297001
PMPN4171_	PMPN4140_	108 à 132 V c.a. (États-Unis)	25009297001

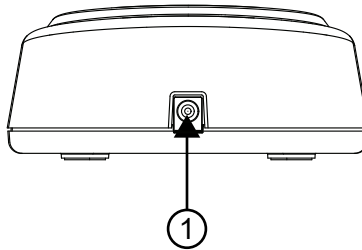
Chapitre 3

Consignes d'utilisation

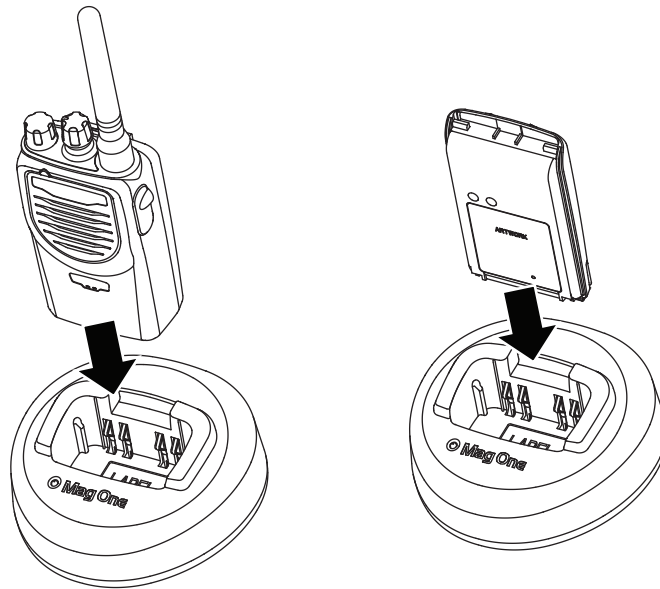
Les logements du chargeur peuvent accueillir une radio avec une batterie approuvée par Motorola Solutions ou une batterie approuvée par Motorola Solutions seule. Les batteries se chargent mieux à une température ambiante.

Procédure :

- 1 Branchez l'extrémité arrondie du cordon du transformateur dans la prise (1) à l'arrière du chargeur.



- 2 Branchez le transformateur dans une prise de courant alternatif (c.a.) appropriée.
Le voyant du chargeur signale une séquence de mise en marche réussie par un clignotement vert unique. Reportez-vous au [Indicateurs de charge à la page 13](#).
- 3 Insérez une batterie approuvée par Motorola Solutions ou une radio avec une batterie approuvée par Motorola Solutions dans le logement du chargeur.

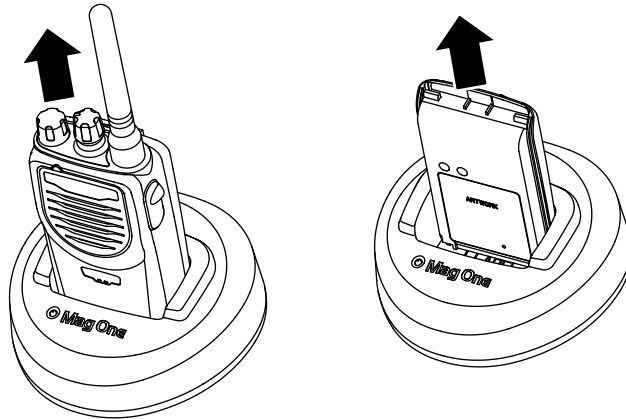


- a Alignez les contacts de la batterie avec les contacts du chargeur.

b Insérez la batterie dans le logement en vous assurant qu'un contact parfait est établi.

Une fois la batterie correctement positionnée dans le logement, le voyant s'allume pour indiquer que le chargeur a reconnu la présence de la batterie.






- 4** Pour retirer une radio ou batterie approuvée par Motorola Solutions du chargeur, tirez-la vers le haut jusqu'à ce que la batterie soit complètement sortie du boîtier du chargeur.



3.1

Indicateurs de charge

Tableau 3 : Indicateurs de charge

Voyant DEL	Description
Vert pendant environ une seconde 	Le chargeur est bien allumé.
Rouge clignotant 	La batterie ne peut être chargée ou le contact n'est pas correctement établi.
Rouge fixe 	Batterie en mode de charge rapide.
Jaune clignotant 	<ul style="list-style-type: none">• La batterie est dans le chargeur• La batterie attend d'être chargée
Vert clignotant 	Batterie chargée à 90 % ou plus.
Vert fixe	La batterie est entièrement chargée.



Voyant DEL	Description
	

Chapitre 4

Dépannage

Tableau 4 : Dépannage

Problème	Signification...	Solution...
Aucune indication du voyant	<ul style="list-style-type: none"> Aucun contact avec le chargeur. Aucune alimentation au chargeur. 	<p>Assurez-vous que la radio et sa batterie, ou la batterie seule, est insérée correctement.</p> <ul style="list-style-type: none"> Assurez-vous que le cordon d'alimentation est bien connecté au chargeur et à une prise secteur appropriée et que cette dernière est alimentée.
Voyant clignotant rouge	<ul style="list-style-type: none"> Aucun contact avec le chargeur. La batterie ne peut être chargée. 	<p>Retirez la batterie du chargeur et remplacez-la dans le chargeur.</p> <ul style="list-style-type: none"> Assurez-vous que la batterie est une batterie agréée Motorola Solutions qui apparaît à la section Batteries approuvées par Motorola Solutions à la page 11. Il est possible que des batteries d'autres types ne puissent pas être chargées. Retirez la batterie du chargeur et nettoyez le contact de charge à l'arrière de la batterie à l'aide de la gomme d'un crayon. Remplacez la batterie.

Problème	Signification...	Solution...
Voyant jaune clignotant	La batterie est en attente de charge. La température de la batterie pourrait être inférieure à 5 °C (41 °F) ou supérieure à 40 °C (104 °F), ou encore la tension de la batterie pourrait être inférieure au seuil minimum prédéterminé pour la charge rapide.	Une fois cette situation corrigée, la batterie se charge automatiquement.  REMARQUE : La charge rapide hors des plages de températures et de tensions indiquées peut considérablement réduire la durée de vie de la batterie.  REMARQUE : Lorsque le chargeur de batterie détecte des conditions de charge appropriées, la charge rapide démarre automatiquement (voyant rouge continu).

Chapitre 5

Service

Les chargeurs individuels ne sont pas réparables. Commandez au besoin un chargeur de rechange auprès de votre représentant Motorola Solutions local.



Guía del usuario del cargador para una unidad PMPN4140

JUNIO 2023

© 2023 Motorola Solutions, Inc. All rights reserved



MN010027A01-AA

Protección e información legal

Esta sección contiene información sobre la protección y los aspectos legales de este producto.

Propiedad intelectual y avisos normativos

Derechos de autor

Entre los productos Motorola Solutions que se describen en esta documentación, se pueden incluir programas informáticos de Motorola Solutions que están protegidos por derechos de autor. Las leyes de Estados Unidos y de otros países preservan para Motorola Solutions ciertos derechos exclusivos sobre los programas informáticos protegidos por derechos de autor. Del mismo modo, los programas informáticos protegidos por derechos de autor de Motorola Solutions incluidos en los productos de Motorola Solutions descritos en esta guía no se podrán copiar ni reproducir de ninguna forma sin el expreso consentimiento por escrito de Motorola Solutions.

Ninguna parte de este documento se puede reproducir, transmitir, almacenar en un sistema recuperable ni traducir a ningún idioma ni lenguaje informático, de ninguna forma ni por ningún medio, sin la autorización expresa por escrito de Motorola Solutions, Inc.

Marcas comerciales

MOTOROLA, MOTO, MOTOROLA SOLUTIONS y el logotipo de la M estilizada son marcas comerciales o marcas comerciales registradas de Motorola Trademark Holdings, LLC y se utilizan bajo licencia. Todas las demás marcas comerciales pertenecen a sus respectivos propietarios.

Derechos de licencia

No se considerará que la compra de productos Motorola Solutions otorgue, en forma directa, implícita, por exclusión ni de ningún otro modo, una licencia sobre los derechos de autor, las patentes o las solicitudes de patentes de Motorola Solutions, excepto la licencia normal, no exclusiva y libre de regalías de uso que surge por efecto de la ley de la venta de un producto.

Contenido de código abierto

Este producto puede contener un software de código abierto utilizado bajo licencia. Consulte los medios de instalación del producto para obtener el contenido completo de atribución y avisos legales de código abierto.

Directiva de Residuos de Aparatos Eléctricos y Electrónicos (RAEE) de la Unión Europea (UE) y el Reino Unido (RU)



En la directiva de RAEE de la Unión Europea y el Reino Unido se exige que los productos que se venden en los países de la UE y en el Reino Unido tengan la etiqueta de un bote de basura tachado sobre el producto (o en el paquete en algunos casos). Como se define en la directiva de RAEE, esta etiqueta con un bote de basura tachado indica que los clientes y los usuarios finales en los países de la UE y el Reino Unido no deben desechar equipos ni accesorios eléctricos y electrónicos en la basura doméstica.

Los clientes o los usuarios finales en los países de la UE y en el Reino Unido deben comunicarse con su representante distribuidor de equipos o centro de servicio locales para obtener información acerca del sistema de recolección de residuos de su país.

Exención de responsabilidad

Tenga en cuenta que determinadas funciones, características y capacidades que se describen en este documento podrían no ser aplicables o no tener licencia para su uso en un sistema específico, o bien pueden ser dependientes de las características de una unidad de suscriptor móvil específico o la configuración de ciertos parámetros. Comuníquese con un representante de Motorola Solutions para obtener más información.

© 2023 Motorola Solutions, Inc. Todos los derechos reservados.

Declaración de conformidad del distribuidor

Declaración de conformidad del distribuidor

Conforme a la Comisión Federal de Comunicaciones (FCC), CFR 47, parte 2, Sección 2.1077(a)



Parte responsable

Nombre: Motorola Solutions, Inc.

Dirección: 2000 Progress Pkwy, Schaumburg, IL. 60196

Número de teléfono: 1-800-927-2744

Por la presente, declara que el producto:

Nombre del modelo: **PMPN4140**

cumple con las siguientes normativas:

FCC, parte 15, subparte B, sección 15.107(a) y sección 15.109(a)

Dispositivo digital de clase B

Este dispositivo cumple con la parte 15 de las normas de la FCC. El funcionamiento está sujeto a las siguientes dos condiciones:

- 1 Este dispositivo no puede provocar interferencia nociva.

- 2 Este dispositivo debe aceptar toda interferencia recibida, incluida aquella interferencia que pueda causar un funcionamiento no deseado.



NOTA:

Este equipo ha sido probado y se ha corroborado que respeta los límites estipulados para dispositivos digitales de clase B, conforme a lo dispuesto en la parte 15 de las normas de la FCC. Estos límites están diseñados para ofrecer una protección razonable contra interferencias nocivas en una instalación residencial. Este equipo genera, utiliza y puede emitir energía de frecuencia radial y, si no se instala ni se utiliza según las instrucciones, puede causar interferencia nociva en las comunicaciones por radio. Sin embargo, no existe garantía de que no se producirá interferencia en una instalación específica.

En caso de que este equipo cause interferencia nociva en la recepción radial o televisiva, que se puede determinar mediante el encendido y el apagado del equipo, se recomienda intentar solucionar tal interferencia a través de una o varias de las medidas que se presentan a continuación:

- Cambie la orientación o la ubicación de la antena receptora.
- Aumente la distancia entre el equipo y el receptor.
- Conecte el equipo a un tomacorriente que esté en un circuito distinto del circuito al que se encuentra conectado el receptor.
- Comuníquese con el distribuidor o con un técnico capacitado en radios o televisiones para obtener ayuda.

Instrucciones de seguridad importantes

Este documento contiene instrucciones de seguridad y funcionamiento importantes. Lea atentamente estas instrucciones y consérvelas para referencia futura.

Antes de utilizar el cargador de la batería, lea todas las instrucciones y las marcas de advertencia en el cargador, la batería y el radio que utiliza la batería.



ADVERTENCIA:

- Para reducir el riesgo de daños en el cable de alimentación, tire del enchufe en lugar del cable cuando lo desconecte del tomacorriente de CA o del cargador.
- Para reducir el riesgo de incendio o descarga eléctrica, evite utilizar un alargador. Si necesita utilizar un alargador, asegúrese de que el tamaño del cable sea de 18 AWG para longitudes de hasta 2 m (6,5 pies) y de 16 AWG para longitudes de hasta 3 m (9,8 pies).
- Para reducir el riesgo de incendio, descarga eléctrica o lesiones, no utilice el cargador si está roto o dañado. Llévelo a un representante de mantenimiento calificado de Motorola Solutions.
- Para reducir el riesgo de incendio o descarga eléctrica, no desarme el cargador. Este no se puede reparar y no hay piezas de repuesto disponibles.
- Para reducir el riesgo de descarga eléctrica, desenchufe el adaptador de corriente del cargador del tomacorriente de CA antes de intentar realizar cualquier tarea de mantenimiento o limpieza.
- Para reducir el riesgo de lesiones, cargue solo las baterías recargables autorizadas. Otras baterías pueden explotar, lo que puede causar lesiones personales y daños.
- Para reducir el riesgo de incendio, descarga eléctrica o lesiones, utilice solo accesorios recomendados por Motorola Solutions.

- Los cambios o las modificaciones que se realicen en este dispositivo, pero que no estén aprobados expresamente por Motorola Solutions, podrían anular el permiso del usuario para operar este equipo.

Pautas de seguridad operativa

- Este equipo no debe utilizarse en áreas exteriores. Utilícelo solo en lugares o condiciones secos.
- Conecte los equipos solo a un suministro que esté conectado al fusible y los cables con el voltaje correcto, según se especifique en el producto.
- Desconecte el voltaje de línea retirando el enchufe principal de la toma de corriente.
- La toma de corriente a la que están conectados estos equipos debe estar cerca de estos y debe ser de fácil acceso.
- La temperatura ambiente máxima alrededor del cargador no debe exceder los 40 °C (104 °F).
- Asegúrese de que el cable esté ubicado en un área donde no lo puedan pisar ni tropezarse con él, o bien en un área donde no esté expuesto a agua, daños o tensión.
- La potencia de salida de la fuente de alimentación no debe exceder los valores especificados en la etiqueta del producto ubicada en la parte inferior del cargador.

Comuníquese con nosotros

El equipo de Operaciones centralizadas de soporte administrado (CMSO) es el principal contacto para solicitar la asistencia técnica incluida en el contrato de servicio de su organización con Motorola Solutions.

Los clientes con contrato de servicio deben llamar al CMSO en todas las situaciones que se mencionan en la sección “Responsabilidades del cliente” de su contrato, por ejemplo:

- Para confirmar los resultados y el análisis de la solución de problemas antes de tomar medidas.

Su organización recibió números telefónicos de asistencia y otros datos de contacto de acuerdo con su región geográfica y contrato de servicio. Use esa información de contacto para obtener una respuesta más eficaz. Sin embargo, si es necesario, también puede encontrar información de contacto de asistencia general en el sitio web de Motorola Solutions si sigue estos pasos:

- 1 Ingrese a motorolasolutions.com en su navegador.
- 2 Asegúrese de que el país o la región de su organización aparezcan en la página. Haga clic en el nombre de la región o presiónela para cambiarla.
- 3 Seleccione “Soporte” en la página motorolasolutions.com.

Comentarios

Envíe preguntas y comentarios acerca de la documentación del usuario a documentation@motorolasolutions.com.


Proporcione los siguientes datos cuando informe sobre un error de documentación:

- El título del documento y el número de pieza
- El número de página o el título de la sección que contiene el error
- Una descripción del error

Motorola Solutions ofrece diversos cursos diseñados para ayudar a conocer el sistema. Para obtener información, vaya a <https://learning.motorolasolutions.com> a fin de ver las ofertas de cursos actuales y las rutas tecnológicas.

Convenciones de estilo

Se utilizan las siguientes convenciones de estilo:

Convención	Descripción
Negrita	Este tipo de letra se usa para nombres (por ejemplo: nombres de ventanas, botones y etiquetas) cuando aparecen en la pantalla (por ejemplo: la ventana Alarms Browser). Cuando está claro que nos referimos, por ejemplo, a un botón, el nombre se usa solo (por ejemplo: haga clic en OK).
Monospacing font in bold	Este tipo de letra se utiliza para palabras que se escriben exactamente como se muestran en el texto (por ejemplo: en el campo Address , escriba <code>http://ucs01.ucs:9080/</code>).
Fuente monoespaciada	Este tipo de letra se utiliza para mensajes, indicaciones y otros tipos de texto que se muestran en la pantalla de la computadora (por ejemplo: <i>Se agregó un nuevo destino de captura</i>).
<Fuente monoespaciada en negrita y cursiva>	Este tipo de letra se utiliza con paréntesis angulares como marcadores de posición para un miembro específico del grupo que las palabras representan (por ejemplo: <número de enrutador>).
	 NOTA: En las secuencias que se van a escribir, se omiten los paréntesis angulares para evitar alguna confusión con respecto a si estos se deben incluir en el texto que se escribirá.
CAPITAL LETTERS	Este tipo de letra se utiliza para indicar teclas del teclado (por ejemplo: presione Y; luego, ENTER).
<i>Cursiva</i>	Este tipo de letra se usa para citas. Una cita suele ser el nombre de un documento o una frase de otro documento (por ejemplo: <i>Descripción general del sistema Dimetra IP</i>).
→	Una → (flecha hacia la derecha) se utiliza para indicar la estructura de menú o pestaña en las instrucciones sobre cómo seleccionar un determinado elemento del menú (por ejemplo: File → Save) o una subpestaña determinada.

Convenciones de íconos

El conjunto de documentación está diseñado para proporcionarle al lector indicaciones visuales adicionales. Los siguientes íconos gráficos se usan en todo el conjunto de documentación.



PELIGRO:

La palabra de señal PELIGRO con el ícono de protección asociado indica información que, si se ignora, provocará la muerte o heridas graves.



ADVERTENCIA:

La palabra de señal ADVERTENCIA con el ícono de protección asociado indica información que, si se ignora, puede provocar la muerte, heridas graves o un daño grave al producto.



PRECAUCIÓN:

La palabra de señal PRECAUCIÓN con el ícono de protección asociado indica información que, si se ignora, podría provocar heridas leves o moderadas, o un daño grave al producto.

PRECAUCIÓN:

La palabra de señal PRECAUCIÓN puede usarse sin el ícono de protección para indicar posibles daños o heridas no relacionados con el producto.



IMPORTANTE:

Las declaraciones identificadas con la palabra IMPORTANTE contienen información que es fundamental para el tema tratado, pero que no se considera una PRECAUCIÓN ni una ADVERTENCIA. No hay ningún nivel de advertencia asociado con la declaración IMPORTANTE.



NOTA:

El AVISO contiene información más importante que el texto circundante, como excepciones o condiciones previas. En los avisos, también se dirige al lector a información adicional, se le recuerda cómo completar una acción (por ejemplo, cuando no es parte del procedimiento actual) o se le indica dónde está algo en la pantalla. No hay ningún nivel de advertencia asociado con un aviso.

Contenido

Protección e información legal.....	2
Propiedad intelectual y avisos normativos.....	2
Declaración de conformidad del distribuidor.....	3
Instrucciones de seguridad importantes.....	4
Pautas de seguridad operativa.....	5
Comuníquese con nosotros.....	6
Convenciones de estilo.....	7
Convenciones de íconos.....	8
Capítulo 1: Acerca del cargador.....	10
1.1 Especificaciones del cargador.....	10
Capítulo 2: Fuentes de alimentación y baterías autorizadas.....	11
2.1 Baterías autorizadas por Motorola Solutions.....	11
2.2 Fuentes de alimentación autorizadas por Motorola Solutions.....	11
Capítulo 3: Instrucciones de funcionamiento.....	12
3.1 Indicadores de carga.....	13
Capítulo 4: Solución de problemas.....	15
Capítulo 5: Servicio.....	17

Capítulo 1

Acerca del cargador

El cargador rápido Tri-Chem de Mag One (PMPN4140) permite la carga directa de la batería mientras está conectada al radio o por separado.



1.1

Especificaciones del cargador

Temperatura de carga de la batería

Para garantizar un proceso de carga satisfactorio, se recomienda mantener la temperatura de la batería entre 5 °C y 40 °C.

Para aprovechar al máximo una batería nueva, cárguela durante la noche (de 12 a 16 horas) antes de utilizarla por primera vez.

Para obtener un rendimiento óptimo del cargador, realice las siguientes acciones:

- Cargue la batería a temperaturas ambiente de 20 °C a 25 °C.
- Apague el radio.



NOTA:

El tiempo estimado necesario para cargar completamente la batería descargada es, por lo general, de 2,5 a 3 horas, según la química celular.

Capítulo 2

Fuentes de alimentación y baterías autorizadas

En esta sección, se indican los accesorios autorizados que se utilizarán con el cargador.

2.1

Baterías autorizadas por Motorola Solutions

Mesa 1: Baterías autorizadas por Motorola Solutions

Kit (número de pieza)	Descripción
PMNN4071_	Batería de níquel-hidruro metálico, 1200 mAh
PMNN4075_	Batería de iones de litio, 1500 mAh

2.2

Fuentes de alimentación autorizadas por Motorola Solutions

Mesa 2: Fuentes de alimentación autorizadas por Motorola Solutions

Número del kit de carga	Base del cargador	Fuente de alimentación	Número de pieza de la fuente de alimentación
PMLN5043_	PMLN5041_	108–132 VCA (Estados Unidos)	25009297001
PMLN5044_	PMLN5041_	220–240 VCA (Europa)	PS000037A01
PMLN5046_	PMLN5041_	220–240 VCA (Reino Unido)	PS000037A02
PMLN5055_	PMLN5041_	220–240 VCA (China)	PS000037A05
PMLN5048_	PMPN4140_	108–132 VCA (Estados Unidos)	25009297001
PMPN4171_	PMPN4140_	108–132 VCA (Estados Unidos)	25009297001

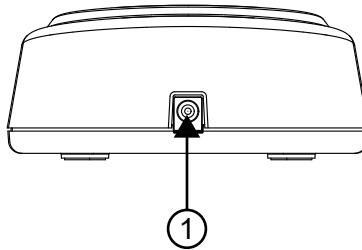
Capítulo 3

Instrucciones de funcionamiento

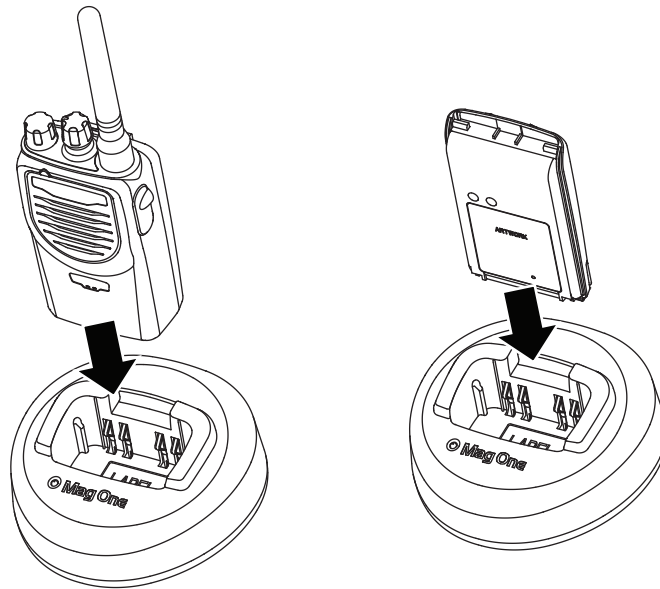
Las cavidades del cargador admiten un radio con una batería conectada aprobada por Motorola Solutions o una batería única aprobada por Motorola Solutions. Las baterías se cargan mejor a temperatura ambiente.

Procedimiento:

- 1 Enchufe el extremo redondo del cable del transformador en el conector (1) en la parte posterior del cargador.



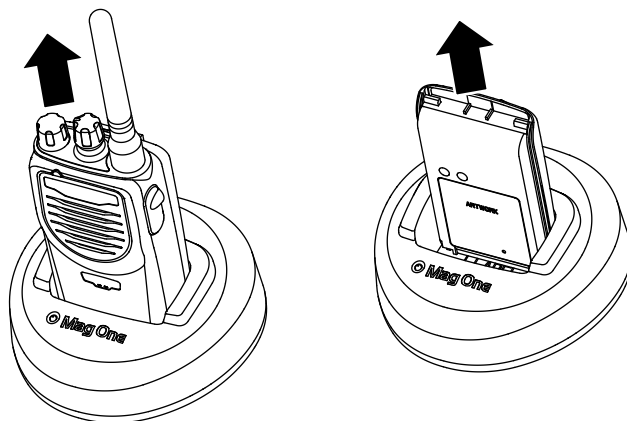
- 2 Enchufe el transformador al tomacorriente de corriente alterna (CA) adecuado.
El indicador del cargador en verde intermitente único indica una secuencia de encendido correcta. Consulte la sección [Indicadores de carga en la página 13](#).
- 3 Inserte una batería aprobada por Motorola Solutions o un radio con una batería aprobada por Motorola Solutions en la cavidad del cargador.



- a Alinee los contactos de la batería con los contactos del cargador.

b Inserte la batería en la cavidad, de modo que se asegure de que haya un contacto completo. Una vez que la batería aprobada por Motorola Solutions está colocada correctamente en la cavidad, el indicador de carga se ilumina, lo que indica que el cargador reconoció la presencia de la batería.






4 Para extraer la batería del radio o la batería aprobada por Motorola Solutions del cargador, tire hacia arriba hasta que la batería se haya separado por completo de la carcasa del cargador.



3.1

Indicadores de carga

Mesa 3: Indicadores de carga

Indicador LED	Descripción
Verde por 1 segundo aproximadamente 	El cargador se encendió correctamente.
Rojo intermitente 	No se puede cargar la batería o no está haciendo contacto correctamente.
Rojo fijo 	Batería en modo de carga rápida.
Amarillo intermitente 	<ul style="list-style-type: none"> • La batería está en el cargador • La batería está en espera de cargarse
Verde intermitente 	La batería se cargó en un 90 % o más.
Verde fijo	La batería está completamente cargada.



Indicador LED	Descripción
	

Capítulo 4

Solución de problemas

Mesa 4: Solución de problemas

Problema	Qué significa...	Qué se debe hacer...
No hay indicaciones LED	<ul style="list-style-type: none">• No hay contacto de carga.• El cargador no recibe alimentación.	<p>Verifique que el radio con batería o la batería estén insertados correctamente.</p> <ul style="list-style-type: none">• Asegúrese de que el cable de alimentación esté bien enchufado al cargador, que el tomacorriente de CA sea apropiado y que el tomacorriente reciba energía.
Indicador rojo intermitente	<ul style="list-style-type: none">• No hay contacto de carga.• La batería no se carga.	<p>Extraiga la batería del cargador y vuelva a insertarla.</p> <ul style="list-style-type: none">• Verifique que la batería sea una batería autorizada por Motorola Solutions que aparezca en la sección Baterías autorizadas por Motorola Solutions en la página 11. Es posible que otras baterías no se carguen.• Retire la batería del cargador y limpie el contacto de carga en la parte posterior de la batería con un borrador de lápiz.• Reemplace la batería.

Problema	Qué significa...	Qué se debe hacer...
Indicador amarillo intermitente	Batería a la espera de su carga. Es posible que la temperatura de la batería sea inferior a 5 °C (41 °F) o superior a 40 °C (104 °F) o que el voltaje de la batería esté por debajo del umbral predeterminado para la carga rápida.	Una vez que se corrija este problema, la batería se cargará automáticamente.  NOTA: La carga rápida fuera de los límites de temperatura y voltaje establecidos puede reducir considerablemente la vida útil de la batería.  NOTA: Cuando el cargador de la batería detecta las condiciones adecuadas de la batería, la carga rápida se inicia automáticamente (LED de color rojo fijo).

Capítulo 5

Servicio

Los cargadores para una unidad (SUC) no se pueden reparar. Solicite los cargadores de repuesto que necesite a su representante de ventas local de Motorola Solutions.



Guia do usuário do carregador de uma unidade PMPN4140

JUNE 2023

© 2023 Motorola Solutions, Inc. All rights reserved



MN010027A01-AA

Informações jurídicas e de segurança

Esta seção traz informações jurídicas e de segurança relacionadas a este produto.

Propriedade intelectual e comunicados regulatórios

Direitos autorais

Os produtos da Motorola Solutions descritos neste documento podem incluir programas de computador da Motorola Solutions protegidos por direitos autorais. As leis dos Estados Unidos e de outros países garantem determinados direitos exclusivos da Motorola Solutions que envolvem programas de computador protegidos por direitos autorais. Sendo assim, nenhum programa de computador protegido por direitos autorais da Motorola Solutions incluído nos produtos da Motorola Solutions descritos neste documento pode ser copiado ou reproduzido, de qualquer forma, sem permissão expressa por escrito da Motorola Solutions.

Nenhuma parte deste documento pode ser reproduzida, transmitida, armazenada em sistema de recuperação ou traduzida para qualquer idioma ou linguagem de computador, de forma nenhuma nem por nenhum meio, sem permissão prévia por escrito da Motorola Solutions, Inc.

Marcas registradas

MOTOROLA, MOTO, MOTOROLA SOLUTIONS e o logotipo “M” estilizado são marcas comerciais ou registradas da Motorola Trademark Holdings, LLC e são utilizadas sob licença. Todas as demais marcas comerciais pertencem aos seus respectivos proprietários.

Direitos de licença

A aquisição de produtos da Motorola Solutions não pressupõe garantia, explícita ou implícita, por impedimento ou qualquer outra forma, de qualquer licença de direito autoral, patente ou aplicação de patente da Motorola Solutions, exceto a licença de uso regular não exclusiva, isenta de exploração de patente concedida por força de lei na venda de um produto.

Conteúdo de código aberto

Este produto pode conter software de código aberto usado conforme licença. Consulte na mídia de instalação do produto o conteúdo completo sobre Atribuições e comunicados jurídicos de código aberto.

Diretiva WEEE (Waste of Electrical and Electronic Equipment, resíduos de equipamentos elétricos e eletrônicos) da UE (União Europeia) e do Reino Unido



A diretiva WEEE da União Europeia e a regulamentação WEEE do Reino Unido exigem que os produtos vendidos nos países da União Europeia e do Reino Unido exibam a etiqueta de lixeira cruzada no produto (ou na embalagem, em alguns casos). Conforme definido pela diretiva WEEE, essa etiqueta de lixeira cruzada indica que os clientes e os usuários finais nos países da União Europeia e do Reino Unido não podem descartar equipamentos ou acessórios elétricos ou eletrônicos em lixo doméstico.

Os clientes ou usuários finais dos países da União Europeia e do Reino Unido devem entrar em contato com o representante do fornecedor do equipamento ou o centro de assistência local para obter informações sobre o sistema de coleta de lixo em seu país.

Isenção de responsabilidade

Observação: alguns recursos e capacidades descritos neste documento podem não ser pertinentes ou licenciados para uso em um sistema específico ou podem depender das características de uma determinada unidade de rádio móvel ou da configuração de determinados parâmetros. Consulte seu contato da Motorola Solutions para mais informações.

© 2023 Motorola Solutions, Inc. Todos os direitos reservados

Declaração de conformidade do fornecedor

Declaração de conformidade do fornecedor

De acordo com a CFR 47, Parte 2, Seção 2.1077(a) da FCC



A parte responsável

Nome: Motorola Solutions, Inc.

Endereço: 2000 Progress Pkwy, Schaumburg, IL. 60196

Telefone: 1-800-927-2744

Declara que o produto:

Nome do modelo: **PMPN4140**

está em conformidade com as seguintes normas:

Parte 15, subparte B, seção 15.107(a) e seção 15.109(a) da FCC

Dispositivo digital de Classe B

Este dispositivo está em conformidade com a Parte 15 das Normas da FCC. A operação está sujeita às duas condições a seguir:

1 Este dispositivo não deve causar interferências prejudiciais e

- 2 Este dispositivo deve aceitar qualquer interferência, inclusive as que possam causar operação indesejada do dispositivo.



OBSERVAÇÃO:

Este equipamento foi testado e considerado em conformidade com os limites para um dispositivo digital de Classe B, nos termos da Parte 15 das Normas da FCC. Estes limites foram elaborados para fornecer uma proteção aceitável contra interferências prejudiciais em uma instalação residencial. Este equipamento gera, usa e pode irradiar energia de radiofrequência e, caso não seja instalado e usado de acordo com as instruções, poderá causar interferência prejudicial às comunicações de rádio. Entretanto, não há garantia de que não haverá interferências em uma instalação específica.

Se este equipamento causar interferência prejudicial à recepção de rádio ou televisão, o que pode ser determinado quando o equipamento for ligado e desligado, o usuário deverá tentar corrigir a interferência seguindo um ou mais dos procedimentos abaixo:

- Reorientar ou reposicionar a antena receptora.
- Aumentar a distância entre o equipamento e o receptor.
- Conectar o equipamento a uma tomada de um circuito diferente daquele ao qual o receptor está conectado.
- Falar com o revendedor ou um técnico de rádio ou TV experiente para obter ajuda.

Instruções de segurança importantes

Este documento contém instruções de segurança e operação importantes. Leia estas instruções com atenção e guarde-as para consulta futura.

Antes de utilizar o carregador da bateria, leia todas as instruções e observações de alerta sobre o carregador, a bateria e o rádio que emprega a bateria.



AVISO:

- Para reduzir o risco de danos ao cabo de alimentação, puxe pelo plugue e não pelo cabo ao desconectar o cabo de alimentação da tomada CA ou do carregador.
- Para reduzir o risco de incêndio ou choque elétrico, evite usar extensões. Se for preciso usar uma extensão, verifique se o tamanho da extensão é de 18 AWG para comprimentos de até 2 m (6,5 pés) e 16 AWG para comprimentos de até 3 m (9,8 pés).
- Para reduzir o risco de incêndio, choque elétrico ou ferimentos, não use o carregador se estiver quebrado ou danificado de qualquer forma. Leve o carregador para um representante qualificado da assistência técnica Motorola Solutions.
- Para reduzir o risco de incêndio ou choque elétrico, não desmonte o carregador. Não é possível consertar o carregador e não há peças de reposição disponíveis.
- Para reduzir o risco de choque elétrico, desconecte o carregador da tomada elétrica CA antes de fazer qualquer tipo de limpeza ou manutenção.
- Para reduzir o risco de ferimentos, carregue somente baterias recarregáveis autorizadas. Outras baterias podem explodir, causando ferimentos e danos.
- Para reduzir o risco de incêndio, choque elétrico ou ferimentos, use apenas acessórios recomendados pela Motorola Solutions.
- Alterações ou modificações feitas neste dispositivo que não sejam expressamente aprovadas pela Motorola Solutions poderão anular o direito do usuário de operar o equipamento.

Diretrizes de segurança operacional

- Este equipamento não é adequado para uso ao ar livre. Utilize somente em locais secos ou em condições secas.
- Conecte o equipamento somente a uma fonte com fusíveis e fios adequados e com a tensão correta, conforme especificado no produto.
- Desconecte da tensão de linha retirando o conector principal da tomada.
- A tomada à qual este equipamento está conectado deve estar próxima e facilmente acessível.
- A temperatura máxima do ambiente em volta do carregador não pode exceder 40 °C (104 °F).
- Certifique-se de que o cabo esteja localizado em uma área segura para que não seja possível pisar ou tropeçar nele, molhá-lo ou danificá-lo.
- A potência de saída da unidade de fonte de alimentação não deve ultrapassar as classificações especificadas na etiqueta do produto localizada na parte inferior do carregador.

Fale conosco

O CMSO (Centralized Managed Support Operations, centro de operações de suporte técnico gerenciado) é o principal contato para suporte técnico incluído no contrato de serviço da sua organização com a Motorola Solutions.

Clientes do contrato de serviço devem fazer uma chamada para o CMSO em todas as situações listadas na seção de responsabilidades do cliente do contrato, tais como:

- Para confirmar os resultados e as análises da solução de problemas antes de agir

Sua organização recebeu números de telefone de suporte e outras informações de contato apropriadas para sua região geográfica e seu contrato de serviço. Use essas informações de contato para obter a resposta mais eficiente. No entanto, se necessário, também é possível encontrar informações gerais de contato de suporte no site da Motorola Solutions seguindo estas etapas:

- 1 Digite motorolasolutions.com no navegador.
- 2 Verifique se o país ou a região da organização é exibido na página. Clique ou toque no nome da região para alterá-lo, caso necessário.
- 3 Na página motorolasolutions.com, selecione "Suporte".

Comentários

Envie as perguntas e os comentários sobre a documentação do usuário para documentation@motorolasolutions.com.


Dê as seguintes informações ao relatar um erro na documentação:

- Título do documento e número da peça
- Número da página ou título da seção com o erro
- Descrição do erro

A Motorola Solutions oferece diversos cursos projetados para auxiliar na aprendizagem do sistema. Para informações, acesse <https://learning.motorolasolutions.com> e veja as ofertas de cursos atuais e os caminhos de tecnologia.

Convenções de estilo

As seguintes convenções de estilo são utilizadas:

Convenção	Descrição
Negrito	Esta família tipográfica é usada, por exemplo, em nomes de janelas, botões e etiquetas quando esses nomes aparecem na tela (exemplo: a janela Alarms Browser). Quando é óbvio que estamos nos referindo a, por exemplo, um botão, o nome é utilizado sozinho (exemplo: Clique em OK).
Monospacing font in bold	Esta família tipográfica é usada para que as palavras sejam digitadas exatamente como serão exibidas no texto (por exemplo: no campo Address , digite <code>http://ucs01.ucs:9080/</code>).
Fonte monoespçada	Esta família tipográfica é usada para mensagens, comandos e outros textos exibidos na tela do computador (por exemplo: Um novo destino de interceptação foi adicionado).
<Fonte monoespçada em negrito e itálico>	Esta família tipográfica é usada com parênteses angulares que devem ser substituídos por um membro específico do grupo que as palavras representam (exemplo: <número do roteador>).  OBSERVAÇÃO: em sequências que devem ser digitadas, os parênteses angulares são omitidos para evitar confusões quanto a se eles devem ser incluídos ou não no texto que será digitado.
CAPITAL LETTERS	Esta família tipográfica é usada para teclas de teclado (por exemplo: Aperte Y e, em seguida, aperte ENTER).
<i>Itálico</i>	Esta família tipográfica é usada em citações. A citação, geralmente, é o nome de um documento ou uma frase de outro documento (exemplo: <i>Visão geral do sistema DIMETRA IP</i>).
→	Uma → (seta apontando para a direita) é usada para indicar o menu ou a estrutura de guia nas instruções sobre como selecionar determinado item do menu (exemplo: File → Save) ou determinada subguia.

Convenções de ícones

O conjunto de documentação foi criado para oferecer mais dicas visuais ao leitor. Os ícones gráficos a seguir são usados em todo o conjunto de documentação.



PERIGO:

A palavra de sinalização PERIGO com o respectivo ícone de segurança indica informações que, se desconsideradas, podem resultar em morte ou ferimentos graves.



AVISO:

A palavra de sinalização AVISO com o respectivo ícone de segurança indica informações que, se desconsideradas, podem resultar em morte, ferimentos graves ou, ainda, danos graves ao produto.



ATENÇÃO:

A palavra de sinalização CUIDADO com o respectivo ícone de segurança indica informações que, se desconsideradas, podem causar ferimentos de gravidade menor ou moderada ou, ainda, danos graves ao produto.

ATENÇÃO:

A palavra de sinalização CUIDADO poderá ser usada sem o ícone de segurança para indicar possíveis danos ou riscos de ferimento não relacionados ao produto.



INFORMAÇÕES:

Declarações IMPORTANTES contêm informações essenciais para o assunto em questão, mas que não são classificadas com o termo ATENÇÃO ou AVISO. Não há nenhum nível de aviso associado a uma declaração classificada como IMPORTANTE.



OBSERVAÇÃO:

OBSERVAÇÃO contém informações mais importantes do que o texto ao redor, como exceções ou condições. Esse ícone também indica outros locais para o leitor consultar informações adicionais, lembra ao leitor sobre como concluir uma ação (quando a ação não faz parte do procedimento atual, por exemplo) ou informa o leitor sobre a localização de algum item na tela. Não há nenhum nível de aviso associado a uma observação.

Índice

Informações jurídicas e de segurança.....	2
Propriedade intelectual e comunicados regulatórios.....	2
Declaração de conformidade do fornecedor.....	3
Instruções de segurança importantes.....	4
Diretrizes de segurança operacional.....	5
Fale conosco.....	6
Convenções de estilo.....	7
Convenções de ícones.....	8
Capítulo 1: Sobre o carregador.....	10
1.1 Especificação do carregador.....	10
Capítulo 2: Fontes de alimentação e baterias autorizadas.....	11
2.1 Baterias autorizadas da Motorola Solutions.....	11
2.2 Fontes de alimentação autorizadas da Motorola Solutions.....	11
Capítulo 3: Instruções operacionais.....	12
3.1 Indicadores de carregamento.....	13
Capítulo 4: Diagnóstico e solução de problemas.....	15
Capítulo 5: Serviço.....	17

Capítulo 1

Sobre o carregador

O carregador rápido triquímico Mag One Tri-Chem (PMPN4140) permite o carregamento da bateria esteja ela conectada no rádio ou não.



1.1

Especificação do carregador

Temperatura de carga da bateria

Para garantir um carregamento bem-sucedido, recomenda-se manter a bateria a uma temperatura entre 5 °C a 40 °C.

Para aproveitar a nova bateria da melhor maneira possível, carregue-a durante a noite (12 a 16 horas) antes de usá-la pela primeira vez.

Para garantir o melhor desempenho do carregador, faça o seguinte:

- Carregue a bateria em temperaturas ambientes entre 20 °C a 25 °C.
- Desligue o rádio.



OBSERVAÇÃO:

o tempo estimado para atingir a carga completa da bateria descarregada geralmente varia entre 2 a 3 horas, dependendo da química da célula.

Capítulo 2

Fontes de alimentação e baterias autorizadas

Esta seção lista os acessórios autorizados para uso com seu carregador.

2.1

Baterias autorizadas da Motorola Solutions

Acima 1: Baterias autorizadas da Motorola Solutions

Kit (número de peça)	Descrição
PMNN4071_	Bateria de níquel-hidreto metálico, 1200 mAh
PMNN4075_	Bateria de íons de lítio, 1500 mAh

2.2

Fontes de alimentação autorizadas da Motorola Solutions

Acima 2: Fontes de alimentação autorizadas da Motorola Solutions

Número do kit do carregador	Base do carregador	Fonte de alimentação	Número de peça da fonte de alimentação
PMLN5043_	PMLN5041_	108–132 VAC (Estados Unidos)	25009297001
PMLN5044_	PMLN5041_	220–240 VAC (Europa)	PS000037A01
PMLN5046_	PMLN5041_	220–240 VAC (Reino Unido)	PS000037A02
PMLN5055_	PMLN5041_	220–240 VAC (China)	PS000037A05
PMLN5048_	PMPN4140_	108-132 VAC (Estados Unidos)	25009297001
PMPN4171_	PMPN4140_	108-132 VAC (Estados Unidos)	25009297001

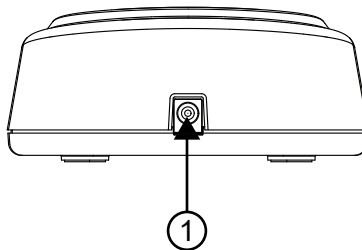
Capítulo 3

Instruções operacionais

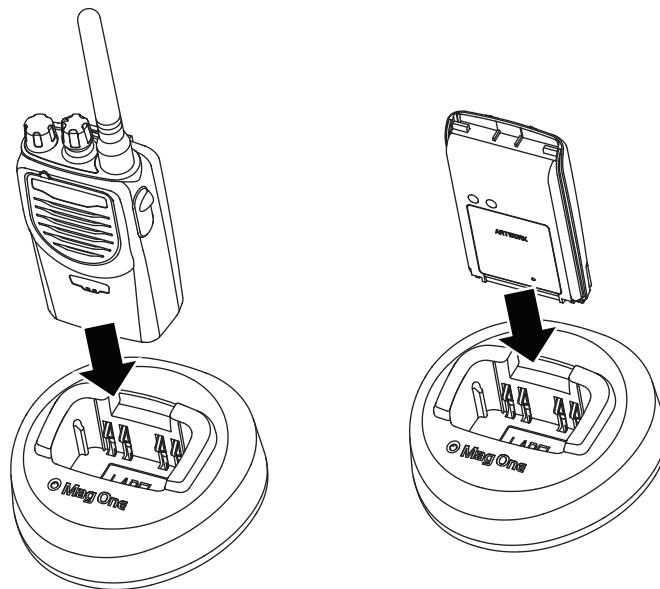
Os compartimentos do carregador acomodam um rádio com bateria aprovada pela Motorola Solutions ou apenas uma bateria aprovada pela Motorola Solutions. O carregamento da bateria é mais eficiente em temperatura ambiente.

Procedimento:

- 1 Conecte a extremidade arredondada do cabo do transformador à tomada (1) na parte de trás do carregador.



- 2 Conecte o transformador a uma tomada CA (corrente alternada) adequada.
Uma sequência de ativação bem-sucedida é indicada quando a luz pisca uma vez em verde no indicador do carregador. Consulte [Indicadores de carregamento na página 13](#).
- 3 Insira uma bateria aprovada pela Motorola Solutions ou um rádio com bateria aprovada pela Motorola Solutions no compartimento do carregador.

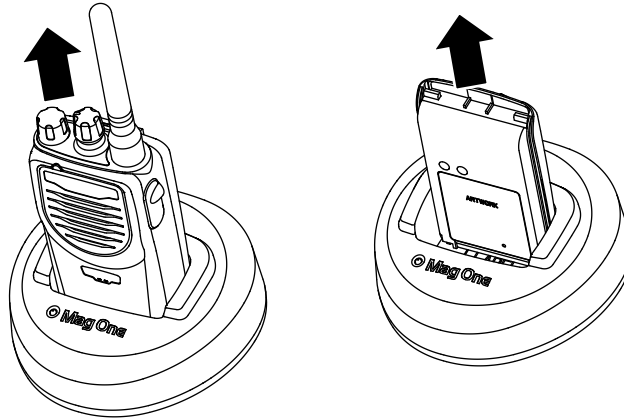


- a Alinhe os contatos da bateria com os contatos do carregador.

b Pressione a bateria para dentro do compartimento, garantindo um contato total.

Quando a bateria aprovada pela Motorola Solutions estiver encaixada corretamente no compartimento, o indicador do carregador acenderá, indicando que o carregador reconheceu a presença da bateria.






4 Para remover um rádio ou bateria aprovada pela Motorola Solutions do carregador, puxe para cima até que a bateria saia completamente do compartimento do carregador.



3.1

Indicadores de carregamento

Acima 3: Indicadores de carregamento

Indicador de LED	Descrição
Verde por aproximadamente um segundo 	A inicialização do carregador foi bem-sucedida.
Vermelho piscando 	A bateria não é carregável ou não está em contato adequado.
Vermelho estático 	A bateria está no modo de carregamento rápido.
Amarelo piscando 	<ul style="list-style-type: none">• A bateria está no carregador• A bateria está aguardando carregamento
Verde piscando 	A bateria está carregada em 90% ou mais.
Verde estático	A bateria está totalmente carregada.



Indicador de LED	Descrição
	

Capítulo 4

Diagnóstico e solução de problemas

Acima 4: Diagnóstico e solução de problemas

Problema	O que significa...	O que fazer...
Sem indicação do LED	<ul style="list-style-type: none">• Sem contato do carregador.• Não há energia no carregador.	<p>Verifique se o rádio com bateria ou a bateria foram corretamente inseridos.</p> <ul style="list-style-type: none">• Verifique se o cabo de alimentação está conectado corretamente ao carregador e a uma tomada CA apropriada e se há corrente elétrica na tomada.
Piscando em vermelho	<ul style="list-style-type: none">• Sem contato do carregador.• A bateria não é carregável.	<p>Remova a bateria do carregador e recoloque-a no carregador.</p> <ul style="list-style-type: none">• Verifique se a bateria é uma bateria autorizada da Motorola Solutions listada em Baterias autorizadas da Motorola Solutions na página 11. Outras baterias podem não ser carregadas.• Remova a bateria do carregador e limpe o contato de carregamento na parte traseira da bateria usando um lápis borracha.• Substitua a bateria.

Problema	O que significa...	O que fazer...
Indicador piscando em amarelo	A bateria está aguardando para carregar. A temperatura da bateria pode estar abaixo de 5 °C (41 °F) ou acima de 40 °C (104 °F), ou a tensão da bateria pode ser inferior ao nível predeterminado para carregamento rápido.	<p data-bbox="946 237 1318 327">Quando esta condição é corrigida, a bateria é carregada automaticamente.</p> <p data-bbox="946 348 1318 632"> OBSERVAÇÃO: o carregamento rápido fora dos limites estabelecidos de temperatura e tensão podem reduzir drasticamente a expectativa de vida útil da bateria.</p> <p data-bbox="946 646 1318 898"> OBSERVAÇÃO: quando o carregador de bateria detecta as condições adequadas da bateria, o carregamento rápido começa automaticamente (LED vermelho constante).</p>

Capítulo 5

Serviço

Os SUCs não podem ser reparados. Encomende carregadores de reposição ao seu representante de vendas local da Motorola Solutions, conforme necessário.