



MOLLE Clip for Remote Speaker Microphone (RSM) PMLN8675A Quick Start Guide

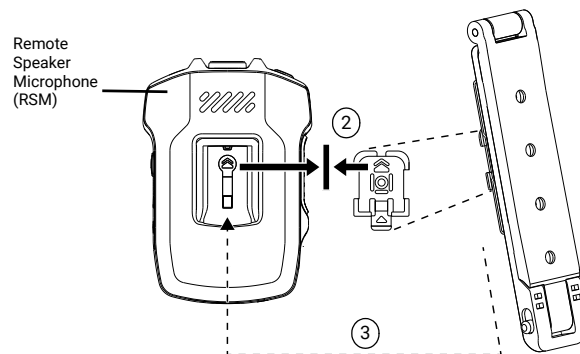
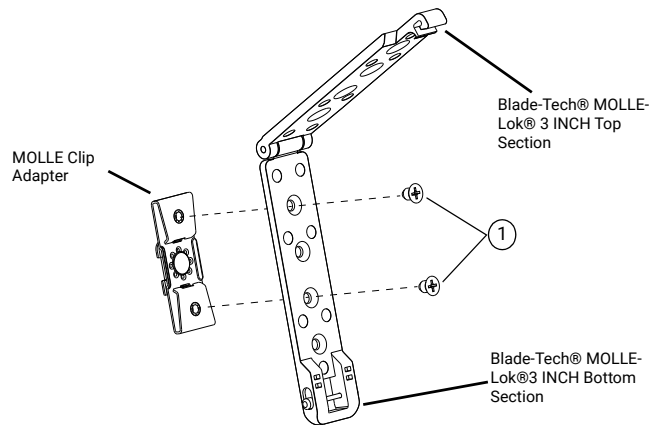


MN010689A01-AA

To find this leaflet online, refer to MN010689A01-AA at:
https://learning.motorolasolutions.com/User_Documentation



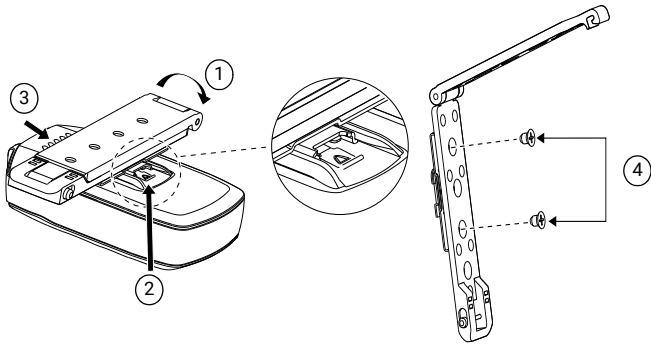
Assembling the MOLLE Clip and Attaching the MOLLE Clip to the RSM



1. Screw (2x) the Blade-Tech® MOLLE-Lok® 3-INCH Bottom Section onto the MOLLE Clip Adapter.
2. Ensure the arrowhead icons on the RSM and on the MOLLE Clip Adapter have a matching orientation.
3. Slide the clip upwards to attach the MOLLE clip to the RSM.

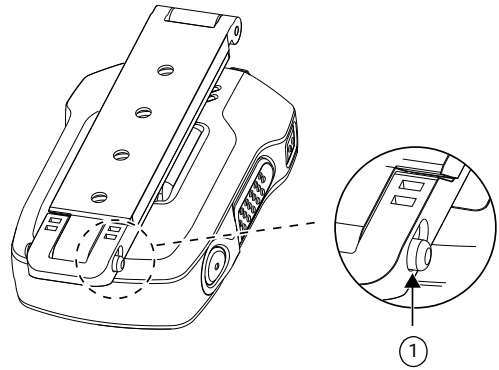


Removing the MOLLE Clip from the RSM

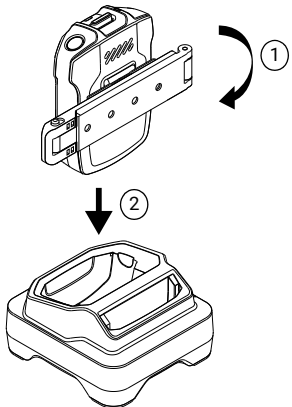


1. Rotate the Blade-Tech® MOLLE-Lok® 90 degrees.
2. Lift up the bottom release latch using a small, flat-tipped tool.
3. Slide the clip to remove the MOLLE clip from the Remote Speaker Microphone (RSM).
4. If necessary, unscrew the Blade-Tech® MOLLE-Lok® 3-INCH from the MOLLE Clip Adapter to dismantle the assembly.

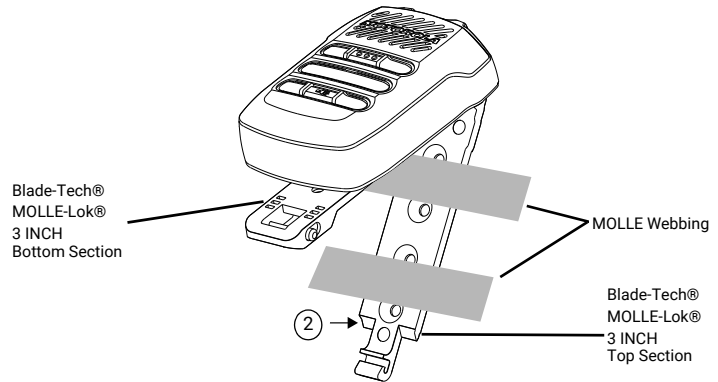
Attaching the MOLLE Clip to MOLLE Webbing



Charging the RSM with the MOLLE Clip Attached using a DUC



Rotate the Blade-Tech® MOLLE-Lok® 90 degrees and insert the Remote Speaker Microphone (RSM) with the MOLLE clip attached into the Dual-Unit Charger (DUC).
NOTE: This section only applies for wireless RSMs.



1. Push the spring-loaded quick release lock upwards to release the latch from the closed position.
2. Feed the top section through the rows of MOLLE webbing on your pack or garment.