

Vehicular Charger/Holder
PMLN8305, PMLN8306
Installation Leaflet



MN007821A01-AA

MOTOROLA, MOTO, MOTOROLA SOLUTIONS and the Stylized M logo are trademarks or registered trademarks of Motorola Trademark Holdings, LLC and are used under license. All other trademarks are the property of their respective owners.



© 2021 Motorola Solutions, Inc. All rights reserved.

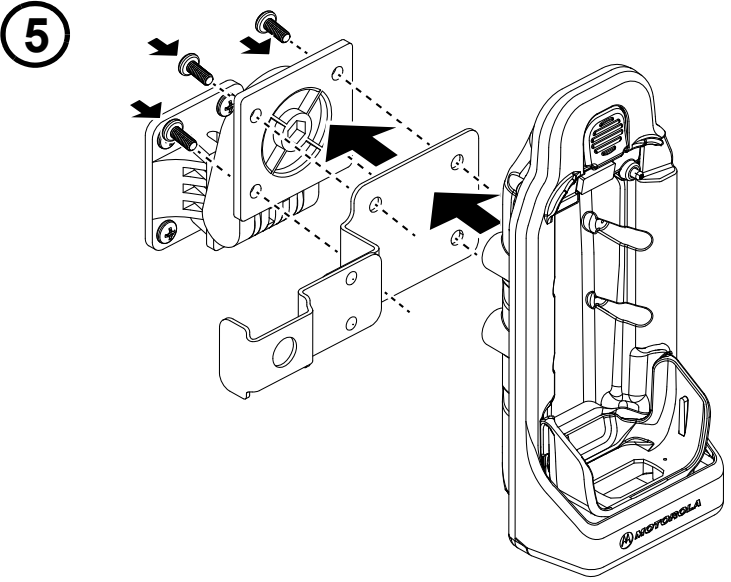
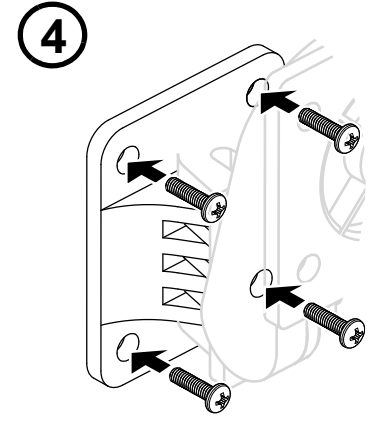
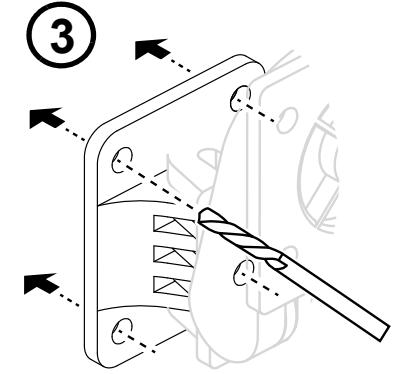
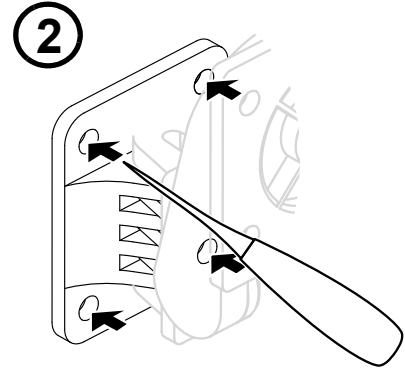
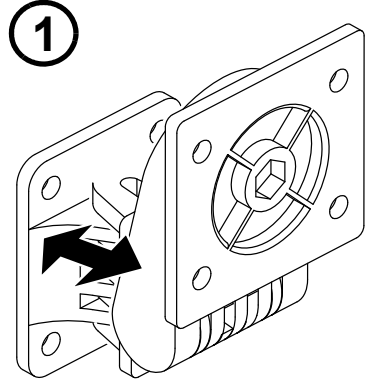
This leaflet is a quick reference guide to assist in the installation of the vehicular charger/holder. For detailed step-by-step instructions, refer to the online manual MN007820A01: <https://learning.motorolasolutions.com/>

EU Contact: Motorola Solutions, Czerwone Maki 82, 30-392 Krakow, Poland

UK Contact: Motorola Solutions UK Ltd. Nova South, 160 Victoria Street, London, SW1E 5LB, United Kingdom

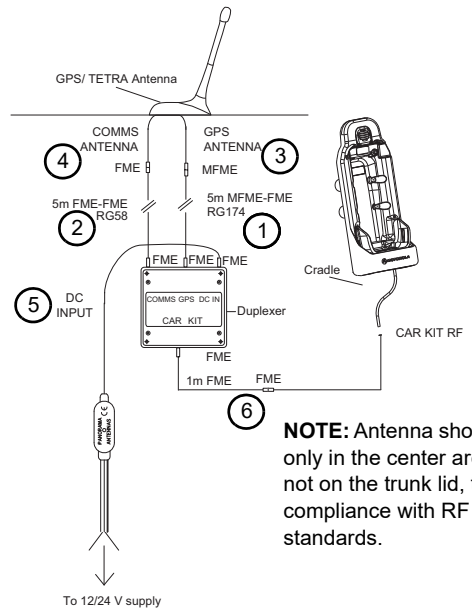


Printed in



Antenna Kit Installation

The numbers denote the cable installation sequence.



NOTE: Antenna should be mounted only in the center area of the roof, not on the trunk lid, to assure compliance with RF Energy Safety standards.

NOTES