

Mag One

A8 DMR Portable Radio Quick Reference Guide

This Quick Reference Guide covers the basic operation of the radio. Check with your dealer or system administrator because your radio may have been customized for your specific needs.

For more operational details and information on warnings and safety, refer to the *MN007472A01 Mag One A8 DMR Portable Radio User Guide*.

Radio Overview

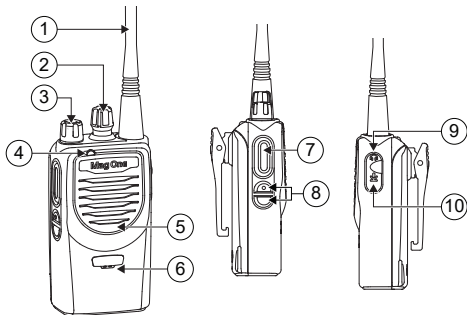


Table 1: Radio View Callouts

No	Description
1	Antenna
2	Channel Selector Knob
3	On/Off/Volume Control Knob
4	LED Indicator
5	Speaker
6	Microphone
7	PTT Button
8	Programmable Button
9	Audio Connector
10	Programming Port

LED Indications

The LED Indicator shows the operational status of your radio. A qualified technician can permanently disable the LED indication by preprogramming it.

Table 2: LED Indications

Indication	Status
Solid Red	The radio is transmitting.
Solid Yellow	The radio is receiving wanted signal.
Solid Green	The radio is receiving unwanted signal.
Blinking Red	The battery capacity is low.
Blinking Yellow	The radio is receiving alert signal.

Indication	Status
Blinking Green	The radio is scanning.

Programmable Button

You can program the programmable buttons as shortcuts to radio functions such as High/Low Power, Remote Monitor and so forth. For more detailed radio functions, refer to the *MN007472A01 Mag One A8 DMR Portable Radio User Guide*.

Getting Started

Attaching the Battery

For optimal performance, charge a new battery 14 to 16 hours before initial use.

1. Slide the battery into the battery compartment.
2. Flip the battery latch close and press it onto the battery until it locks in place.

Attaching the Antenna

1. Turn off the radio.
2. Set the antenna in the receptacle and turn clockwise.

Turning the Radio On and Off

Rotate the On/Off/Volume Control Knob clockwise or counterclockwise until a click sounds.

Trademarks

MOTOROLA, MOTO, MOTOROLA SOLUTIONS and the Stylized M logo are trademarks or registered trademarks of Motorola Trademark Holdings, LLC and are used under license. All other trademarks are the property of their respective owners.

© 2020 Motorola Solutions, Inc.

All rights reserved.



MN007539A01-AA
Printed in



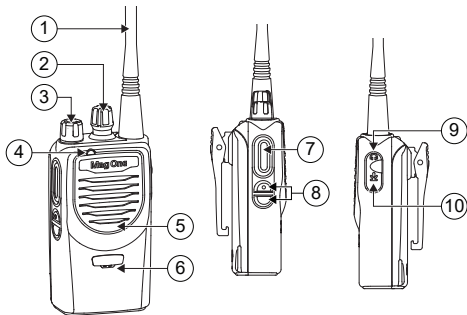
Mag One

A8 DMR 便携式对讲机快速参考指南

本快速参考指南介绍对讲机的基本操作。由于您的对讲机可能已经针对您的具体需要进行了定制，因此请咨询您的经销商或系统管理员。

有关更多详细操作信息以及警告和安全相关信息，请参阅 *MN007472A01 Mag One A8 DMR 便携式对讲机用户指南*。

对讲机概述



编号	说明
1	天线
2	信道选择旋钮
3	开/关/音量控制旋钮

编号	说明
4	LED 指示灯
5	扬声器
6	麦克风
7	PTT 按钮
8	预设按钮
9	音频连接器
10	预设端口

LED 指示灯

LED 指示灯显示对讲机的工作状态。符合资质的技术人员可以通过预设来永久禁用 LED 指示灯。

表 1: LED 指示灯

指示	状态
红色长亮	对讲机正在发射。
黄色长亮	对讲机正在接收所需的信号。
绿色长亮	对讲机正在接收不需要的信号。
呈红色闪烁	电池电量低。
呈黄色闪烁	对讲机正在接收警报信号。
呈绿色闪烁	对讲机正在扫描。

可预设按钮

您可以将可预设按钮编程为对讲机功能的快捷方式，如高/低功率、远程监听等。有关对讲机功能的更多详细信息，请参阅 *MN007472A01 Mag One A8 DMR 便携式对讲机用户指南*。

使用入门

安装电池

为了获得最佳性能，初次使用前新电池充电时间应为 **14 到 16 小时**。

1. 将电池滑入电池盒中。
2. 关闭电池门锁，然后将其按到电池上，直至锁定到位。

安装天线

1. 关闭对讲机。
2. 将天线插入插孔中并顺时针转动。

打开和关闭对讲机

顺时针或逆时针旋转开/关/音量控制旋钮，直到听到一声“咔嚓”声。

商标

MOTOROLA、MOTO、MOTOROLA SOLUTIONS 和标志性的 M 徽标是 Motorola Trademark Holdings, LLC 的商标或注册商标，必须获得授权才可使用。所有其他商标均为其各自所有者的财产。

© 2020 Motorola Solutions, Inc.

保留所有权利。



MN007539A01-AA

印制于

