

## Surveillance Kits

**RLN5311, RLN5312, RLN5313,  
RLN5314, RLN5315, RLN5316,  
RLN5317, RLN5318**

## Accessories



**6871579L01-BA**



MOTOROLA, MOTO, MOTOROLA SOLUTIONS and the Stylized M logo are trademarks or registered trademarks of Motorola Trademark Holdings, LLC and are used under license. All other trademarks are the property of their respective owners. © 2011 and 2021 Motorola Solutions, Inc. All rights reserved. Printed in



## SURVEILLANCE KITS

The Motorola Solutions Surveillance Kits for Two-Way Radio Communications provide discrete remote monitoring and (on 2-wire kits) remote control of the push-to-talk function of the radio. They are designed for use when the operator would like to conceal two-way radio usage from others or to prevent others from hearing radio transmission.

**Note:** It is the your responsibility to ensure that the surveillance features of the selected accessory are suitable for your intended use.

These kits feature:

- Lightweight earphone
- Low-profile, flexible, transparent, quick disconnect acoustic tube
- Flexible, high-grade cable for demanding applications.
- Beige or black color options
- Various push-to-talk and microphone options

## OPERATION

Turn the radio on and operate it as explained in the operating instructions supplied with the radio. When the surveillance kit is connected to the radio, the radio speaker is muted, and audio is only heard from the earpiece speaker. When using the 2-wire-kit, transmit by pressing the **PTT** on the combined mic/PTT and speak into the surveillance kit mic in a normal manner.

## MAINTENANCE

Motorola Solutions recommends the periodic cleaning of the eartip with a mild soap and water solution to extend the life of the accessory. Store the accessory away from high temperature conditions to prolong the life of the accessory.

## ACOUSTIC SAFETY

Exposure to loud noises from any source for extended periods of time may temporarily or permanently affect your hearing. The louder the radio volume, the less time is required before your hearing can be affected. Hearing damage from loud noises is sometimes undetectable at first and can have a cumulative effect.

To protect your hearing:

- Use the lowest volume necessary to do your job.
- Increase the volume only if you are in noisy surroundings.
- Reduce the volume before connecting headset or earpiece.
- Limit the amount of time you use headsets or earpieces at high volume.
- When using the radio without a headset or earpiece, do not place the radio speaker directly against your ear.

## PRODUCT DEFINITIONS

### 1-Wire Receive Only Surveillance Kit

The earphone kit consists of an earphone, standard size eartip, acoustic tube adapter, acoustic tube, and cable terminating into the radio accessory connector. The cable can be worn underneath a shirt, jacket or other clothing.

### 2-Wire Combined Mic and PTT Surveillance Kit

The 2-wire kits have two cables: one for the earpiece with comfortable acoustic tube and standard eartip, and one for the microphone/PTT switch combination. Both cords are long enough to wear underneath a shirt, jacket or other clothing. The microphone operates with a PTT switch that is small enough to fit in one's palm, and is easily concealed by closing the hand.

### Noise Attenuating Kit (Accessory)

Recommended for high noise environments, a noise attenuating kit with a foam eartube can easily replace the standard size eartip on any of the kits mentioned above. See the replacement parts table for part number identification.

### Clear Comfortable Earpiece(s) (Accessory)

The Clear Comfortable Earpiece(s) are molded from hypo-allergenic plastic and designed to fit entirely inside the ear. Its open frame still allows the user to hear ambient noise. See the replacement parts table for part number identification.

## REPLACEMENT PARTS AND ACCESSORIES

Description		Part Number
Standard Rubber Eartip	25/bag	5080370E97
Foam Earplug	50 pairs	5080384F72
Standard Earphone	1 each	5080369E38
Extra Loud Earphone	1 each	5080369E39
Clear Comfortable Earpieces		
Right Ear:		
Small	1 each	RLN4760
Medium	1 each	RLN4761
Large	1 each	RLN4762
Left Ear:		
Small	1 each	RLN4763
Medium	1 each	RLN4764
Large	1 each	RLN4765
Quick Disconnect Acoustic Tube Replacement	1 each	RLN6242
Noise Attenuating kit with foam tip-black	1 each	RLN6230
Noise Attenuating kit with foam tip-beige	1 each	RLN6231

## ATTACHING THE SURVEILLANCE KIT

1. Turn the radio off. Attaching the surveillance kit while the radio is on may cause the radio to transmit constantly, locking up your radio system. If this should happen, turn off the radio. The radio can then be turned back on, restoring normal operations.
2. Remove any dustcaps or covers from the radio accessory connector.
3. Attach the surveillance kit to the radio accessory connector, or 3.5 mm audio jack on adapter.
4. Tighten mounting thumbscrew if required.

To change the surveillance component parts refer to the exploded view (see Figure 1) and proceed as follows:

- a. To change eartips on an acoustic tube detach the eartip from the elbow. Position the replacement eartip over the elbow and press firmly on the eartip secure.
- b. To change a noise attenuating kit on a acoustic tube assembly or to change eartubes detach the eartip or eartube piece from the elbow. Position the tube end of a new foam eartube piece over the elbow and press firmly on the eartube to secure.
- c. To replace an acoustic tube assembly, simply grab the quick disconnect and turn a 1/4 turn to the left. Gently pull out the acoustic tube. Plug new tube into the adapter and turn clockwise 90° to secure.
- d. To change earphones, gently pry the acoustic tube adapter away from the earphone by sliding a thin object between the adapter and the earphone.

Work the thin object around the circumference of the earphone to free adapter. Detach the cable connector from the earphone. Reconnect the accessory cable connector to the new earphone by snapping firmly in place. Snap the acoustic tube adapter onto the earphone.

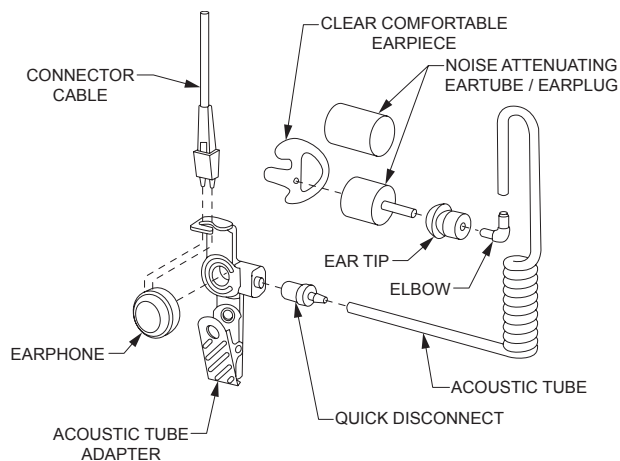


Figure 1: Surveillance component parts