

EVOLVE, EVOLVE-i

Quick Reference Guide



MN007268A01-AD

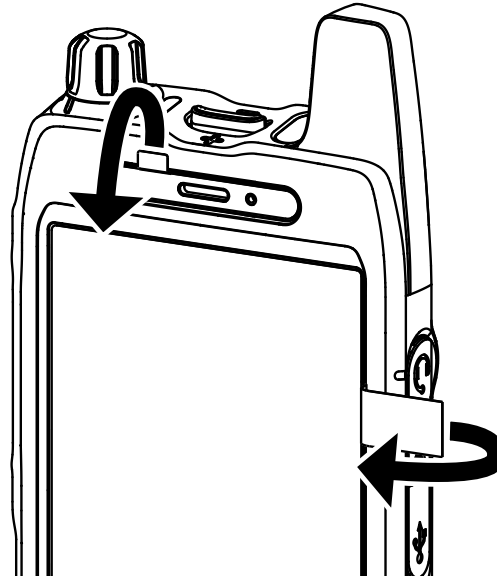
MOTOROLA, MOTO, MOTOROLA SOLUTIONS and the Stylized M Logo are trademarks or registered trademarks of Motorola Trademark Holdings, LLC and are used under license. All other trademarks are the property of their respective owners.

© 2020 and 2022 Motorola Solutions, Inc. All rights reserved.

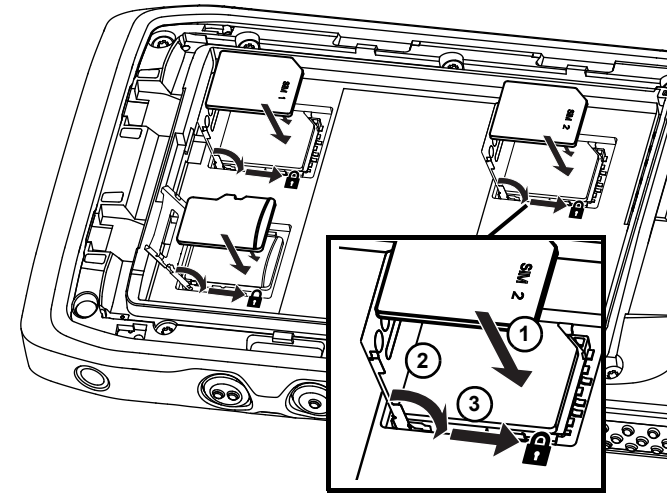
Printed in



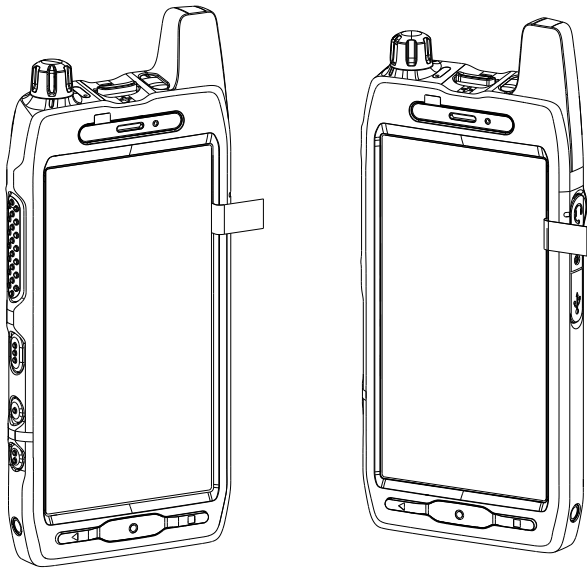
1



3

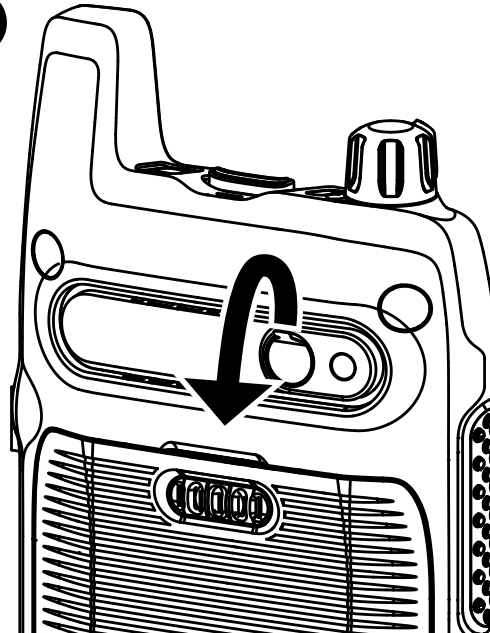


EVOLVE, EVOLVE-i



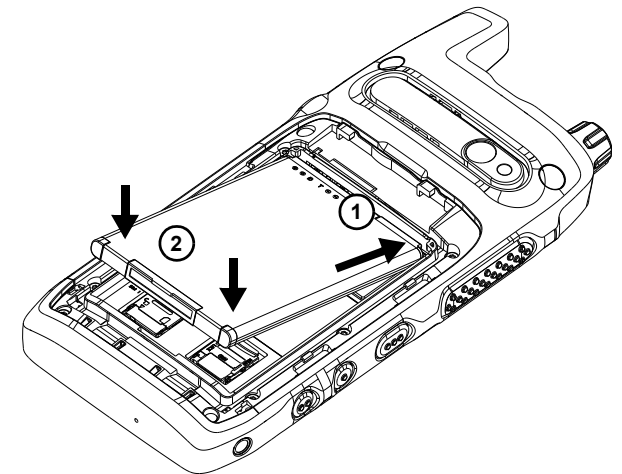
1

2

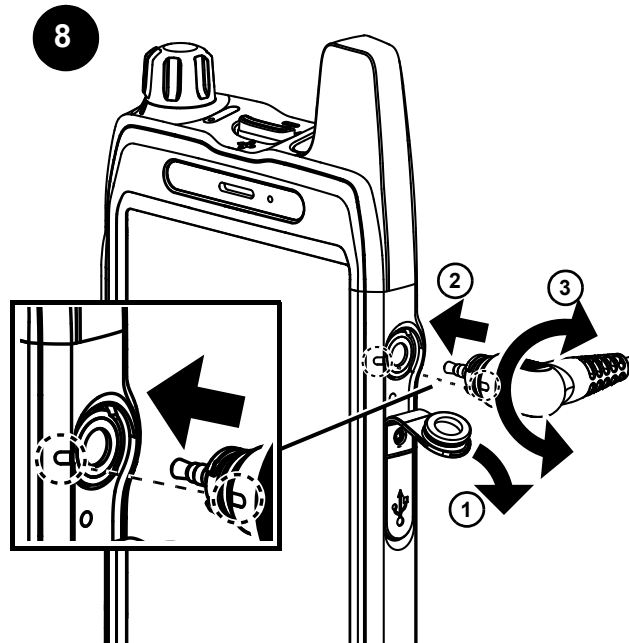
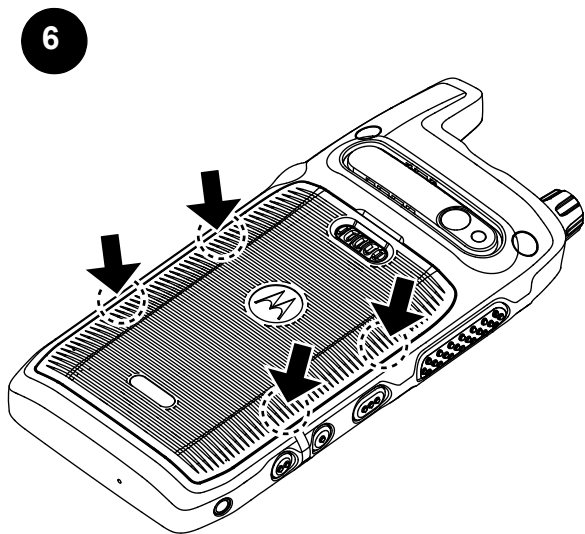
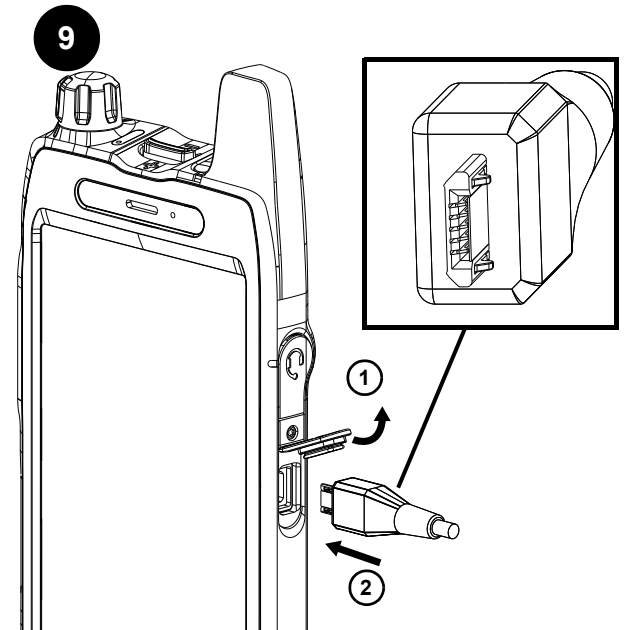
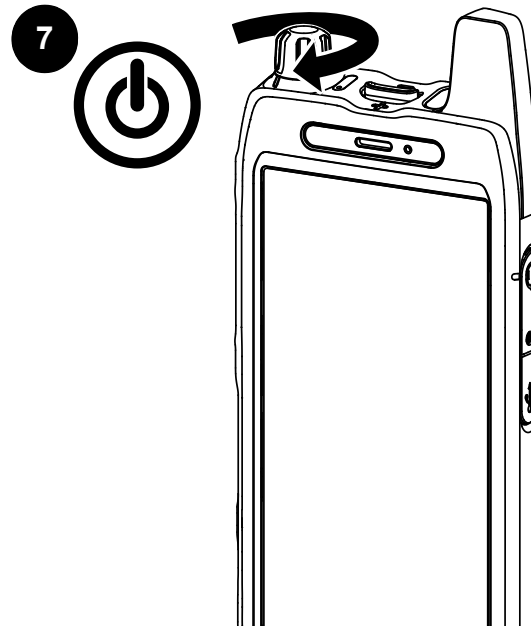
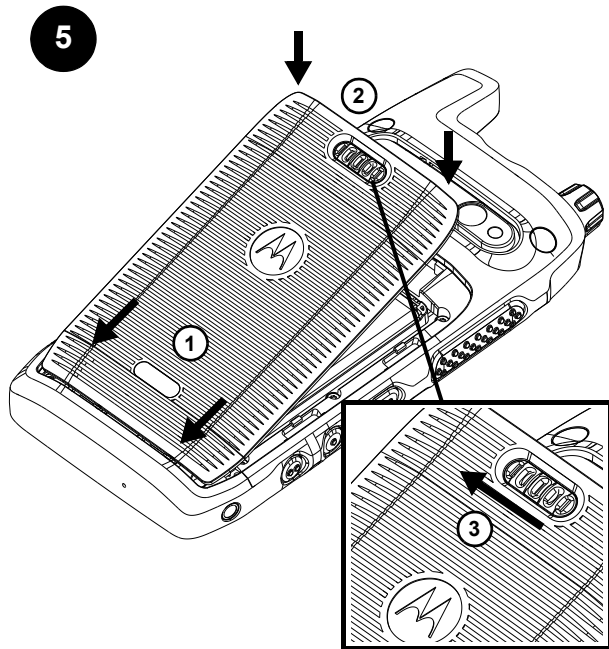


2

4



3



Regulatory Compliance Information

Singapore

The maximum 10-gram SAR for this device when operated solely as a Cellular Mobile Terminal (CMT) in LTE or UMTS and Wi-Fi or Bluetooth modes is 1.06 W/kg (body worn) and 1.82 W/kg (hand held).



<https://waveoncloud.com/>

<https://learning.motorolasolutions.com/>