



# PMMN4140 RM760

## IMPRES Windporting

### Remote Speaker

### Microphone, Large (IP68)

## User Guide

en-US	fr-CA	es-LA	pt-BR	zh-CN
zh-HK	ja-JP	ko-KR	ru-RU	uk-UA
ar-OM				

**APRIL 2022**



# Safety and Legal

This section provides the safety and legal information for this product.

## Intellectual Property and Regulatory Notices

### Copyrights

The Motorola Solutions products described in this document may include copyrighted Motorola Solutions computer programs. Laws in the United States and other countries preserve for Motorola Solutions certain exclusive rights for copyrighted computer programs. Accordingly, any copyrighted Motorola Solutions computer programs contained in the Motorola Solutions products described in this document may not be copied or reproduced in any manner without the express written permission of Motorola Solutions.

No part of this document may be reproduced, transmitted, stored in a retrieval system, or translated into any language or computer language, in any form or by any means, without the prior written permission of Motorola Solutions, Inc.

### Trademarks

MOTOROLA, MOTO, MOTOROLA SOLUTIONS, and the Stylized M Logo are trademarks or registered trademarks of Motorola Trademark Holdings, LLC and are used under license. All other trademarks are the property of their respective owners.

### License Rights

The purchase of Motorola Solutions products shall not be deemed to grant either directly or by implication, estoppel or otherwise, any license under the copyrights, patents or patent applications of Motorola Solutions, except for the normal non-exclusive, royalty-free license to use that arises by operation of law in the sale of a product.

### Open Source Content

This product may contain Open Source software used under license. Refer to the product installation media for full Open Source Legal Notices and Attribution content.

### European Union (EU) and United Kingdom (UK) Waste of Electrical and Electronic Equipment (WEEE) Directive



The European Union's WEEE directive and the UK's WEEE regulation require that products sold into EU countries and the UK must have the crossed-out wheeled bin label on the product (or the package in some cases). As defined by the WEEE directive, this crossed-out wheeled bin label means that customers and end-users in EU and UK countries should not dispose of electronic and electrical equipment or accessories in household waste.

Customers or end-users in EU and UK countries should contact their local equipment supplier representative or service centre for information about the waste collection system in their country.

### Disclaimer

Please note that certain features, facilities, and capabilities described in this document may not be applicable to or licensed for use on a specific system, or may be dependent upon the characteristics of

a specific mobile subscriber unit or configuration of certain parameters. Please refer to your Motorola Solutions contact for further information.

© 2022 Motorola Solutions, Inc. All Rights Reserved

## Certification Markings



## Contact Address

### European Union Contact

Motorola Solutions,  
Czerwone Maki 82,  
30-392 Krakow, Poland

### UK Contact

Motorola Solutions UK Ltd.,  
Nova South, 160 Victoria Street,  
London, SW1E 5LB,  
United Kingdom

### Контактна інформація

Моторола Солюшинс Системз Польща  
вул. Червоне Маки, 82,  
30-392 Краків,  
Польща

# Contact Us

The Solutions Support Center (SSC) is the primary contact for technical support included in your organization's service agreement with Motorola Solutions.

Service agreement customers should be sure to call the SSC in all situations listed under Customer Responsibilities in their agreement, such as:

- Before reloading software
- To confirm troubleshooting results and analysis before taking action

Your organization received support phone numbers and other contact information appropriate for your geographic region and service agreement. Use that contact information for the most efficient response. However, if needed, you can also find general support contact information on the Motorola Solutions website, by following these steps:

- 1 Enter [motorolasolutions.com](https://motorolasolutions.com) in your browser.
- 2 Ensure that your organization's country or region is displayed on the page. Clicking or tapping the name of the region provides a way to change it.
- 3 Select "Support" on the [motorolasolutions.com](https://motorolasolutions.com) page.

## Comments

Send questions and comments regarding user documentation to [documentation@motorolasolutions.com](mailto:documentation@motorolasolutions.com).

Provide the following information when reporting a documentation error:

- The document title and part number
- The page number or title of the section with the error
- A description of the error

Motorola Solutions offers various courses designed to assist in learning about the system. For information, go to <https://learning.motorolasolutions.com> to view the current course offerings and technology paths.

A/S 센터: 00798-14-800-9674

# Icon Conventions

The documentation set is designed to give the reader more visual clues. The following graphic icons are used throughout the documentation set.



**DANGER:** The signal word DANGER with the associated safety icon implies information that, if disregarded, will result in death or serious injury.



**WARNING:** The signal word WARNING with the associated safety icon implies information that, if disregarded, could result in death or serious injury, or serious product damage.



**CAUTION:** The signal word CAUTION with the associated safety icon implies information that, if disregarded, may result in minor or moderate injury, or serious product damage.

**CAUTION:** The signal word CAUTION may be used without the safety icon to state potential damage or injury that is not related to the product.




**IMPORTANT:** IMPORTANT statements contain information that is crucial to the discussion at hand, but is not CAUTION or WARNING. There is no warning level associated with the IMPORTANT statement.



**NOTE:** NOTICE contains information more important than the surrounding text, such as exceptions or preconditions. They also refer the reader elsewhere for additional information, remind the reader how to complete an action (when it is not part of the current procedure, for instance), or tell the reader where something is on the screen. There is no warning level associated with a notice.

# Style Conventions

The following style conventions are used:

Convention	Description
<b>Bold</b>	This typeface is used for names of, for instance, windows, buttons, and labels when these names appear on the screen (example: the <b>Alarms Browser</b> window). When it is clear that we are referring to, for instance, a button, the name is used alone (example: Click <b>OK</b> ).
Monospacing font in bold	This typeface is used for words to be typed in exactly as they are shown in the text (example: In the <b>Address</b> field, type <code>http://ucs01.ucs:9080/</code> ).
Monospacing font	This typeface is used for messages, prompts, and other text displayed on the computer screen (example: A new trap destination has been added).
<i>&lt;Monospacing font in bold Italic&gt;</i>	This typeface is used with angle brackets as placeholders for a specific member of the group that the words represent (example: <i>&lt;router number&gt;</i> ).  <b>NOTE:</b> In sequences to be typed in, the angle brackets are omitted to avoid confusion whether to include the angle brackets in the text to be typed.
CAPITAL LETTERS	This typeface is used for keyboard keys (example: Press Y, and then press ENTER).
<i>Italic</i>	This typeface is used for citations. A citation usually is the name of a document or a phrase from another document (example: <i>Dimetra IP System Overview</i> ).
→	An → (arrow pointing right) is used for indicating the menu or tab structure in instructions on how to select a certain menu item (example: <b>File</b> → <b>Save</b> ) or a certain sub-tab.

# Contents

<b>Safety and Legal</b> .....	<b>2</b>
Intellectual Property and Regulatory Notices.....	2
Certification Markings.....	3
Contact Address.....	3
<b>Contact Us</b> .....	<b>4</b>
<b>Icon Conventions</b> .....	<b>5</b>
<b>Style Conventions</b> .....	<b>6</b>
<b>RF Energy Exposure and Product Safety Guide</b> .....	<b>8</b>
<b>Chapter 1: Product Overview</b> .....	<b>9</b>
1.1 Transmitting and Receiving.....	9
<b>Chapter 2: Recommended Practices for RM760</b> .....	<b>11</b>
<b>Chapter 3: Attaching the RSM to the Radio</b> .....	<b>12</b>
<b>Chapter 4: Detaching the RSM from the Radio</b> .....	<b>13</b>
<b>Chapter 5: Recommended Wearing Position</b> .....	<b>14</b>
<b>Chapter 6: Cable Management</b> .....	<b>15</b>
<b>Chapter 7: Optional Accessories</b> .....	<b>16</b>
<b>Chapter 8: Replacement Parts</b> .....	<b>17</b>
8.1 Replacing Coil Cord .....	17
8.2 Replacing the Dust Cover.....	18
8.3 Replacing Swivel Clip.....	20
8.3.1 Detaching Swivel Clip .....	20
8.3.2 Attaching Swivel Clip.....	21
<b>Chapter 9: Service and Warranty</b> .....	<b>22</b>

# RF Energy Exposure and Product Safety Guide

This document contains important safety and operating instructions. Read these instructions carefully and save them for future reference.

**CAUTION:**

Before using this accessory, read this guide which contains important operating instructions for safe usage and RF energy awareness and control for compliance with applicable standards and regulations.

The Remote Speaker Microphone (RSM), when attached to the radio, is restricted to occupational use only to satisfy FCC/ICNIRP RF energy exposure requirements. Before using this product, read the RF energy awareness information and operating instructions in the Product Safety and RF Exposure booklet enclosed with your radio to ensure compliance with RF energy exposure limits.

## Acoustic Safety

Exposure to loud noises from any source for extended periods of time may temporarily or permanently affect your hearing. The louder the volume of the radio, the less time is required before your hearing can be affected.

Hearing damage from loud noise is sometimes undetectable at first and can have a cumulative effect.

Follow the following guidelines to protect your hearing:

- Use the lowest volume necessary to do your job.
- Turn up the volume only if you are in noisy surroundings.
- Turn down the volume before attaching headset or earpiece.
- Limit the amount of time you use headsets or earpieces at high volume.
- When using the radio without a headset or earpiece, do not place the speaker of the radio directly against your ear.
- If you experience hearing discomfort, ringing in your ears, or muffled speech, you should stop listening to your radio through your headset or earpiece, and have your hearing checked by your doctor. To change the volume level, refer to *Radio Product Safety Leaflet* or *CPS for Surveillance extra loud (xL) Kit Configurations*.



## Chapter 1

# Product Overview

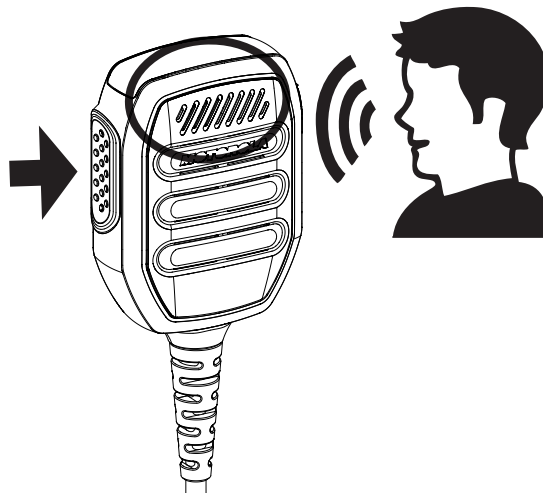
This user manual describes the RM760 IMPRES Windporting Remote Speaker Microphone, Large Basic (IP68), PMMN4140.



Number	Description
1	Push-to-Talk Button
2	Receive-only 3.5 mm Audio Jack (Non-threaded) covered by Dust Cover

### 1.1 Transmitting and Receiving

Figure 1: Transmitting

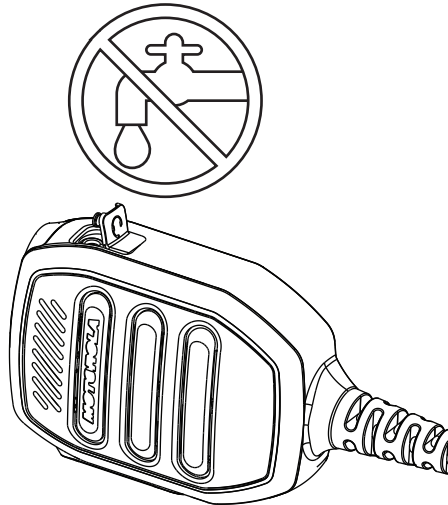


**Figure 2: Receiving**



## Chapter 2

# Recommended Practices for RM760



- Cover the audio jack with dust cover when it is not plugged with earpiece. Do not fill water into the audio jack.
- If water enters the audio jack, remove water by shaking the RSM.

## Chapter 3

# Attaching the RSM to the Radio

### Procedure:

- 1 Attach the RSM connector to the side connector of the radio.
- 2 Secure the connection screw in a clockwise direction until tightened.



**NOTE:** To ensure proper operation, turn off the radio before connecting the RSM to the radio. Connecting the RSM to the radio disables the speaker of the radio, but does not disable the microphone and PTT of the radio.

## Chapter 4

# Detaching the RSM from the Radio

**Procedure:**

- 1 Unscrew and detach the RSM connector from the radio side connector.
- 2 Keep the dust cover inserted in the audio jack of the RSM when a secondary accessory is not being used.

## Chapter 5

# Recommended Wearing Position

Figure 3: RM760 Wearing Position

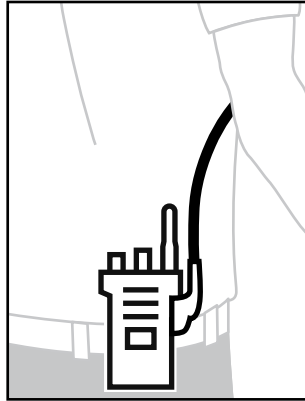


## Chapter 6

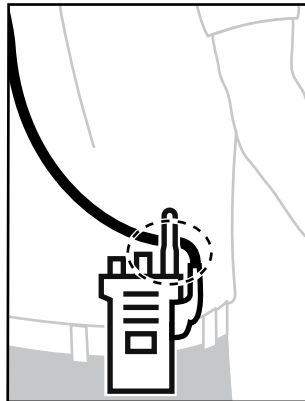
# Cable Management

This section describes the recommended cable position.

**Figure 4: Recommended**



**Figure 5: Not Recommended**



To ensure optimum range and user experience, it is recommended to avoid crossing accessory cable with the radio antenna.

## Chapter 7

# Optional Accessories

No	Descriptions
PMLN8120	Rx only xL Clear Tube Earpiece, 3.5 mm Jack



## Chapter 8

# Replacement Parts

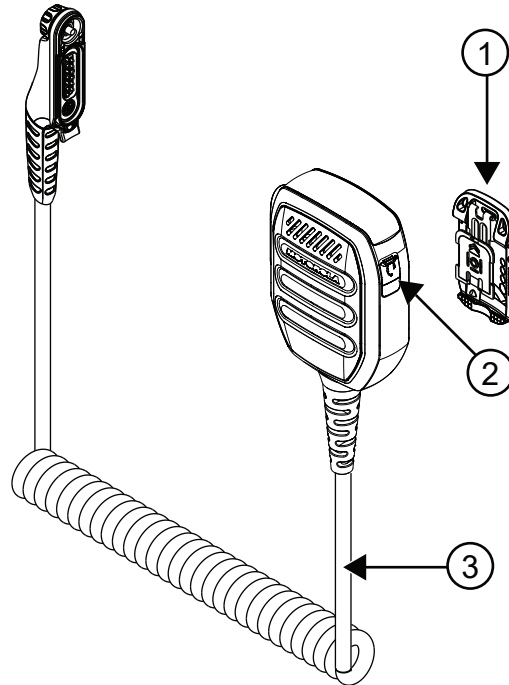


Table 1: Replacement Parts Callouts

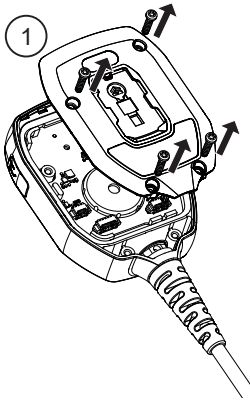
No	Descriptions
1	Low Profile Swivel Clip (PMLN8121)
2	Dust Cover 10pcs/pack (PMLN8122)
3	Coil Cord (PMKN4232)

### 8.1

## Replacing Coil Cord

### Procedure:

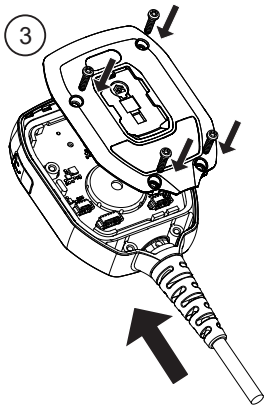
- 1 Remove the screws to disassemble the RSM.



2 Remove the cable.



3 Reassemble the RSM.

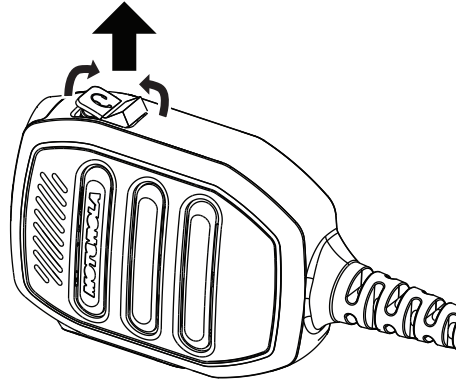


## 8.2

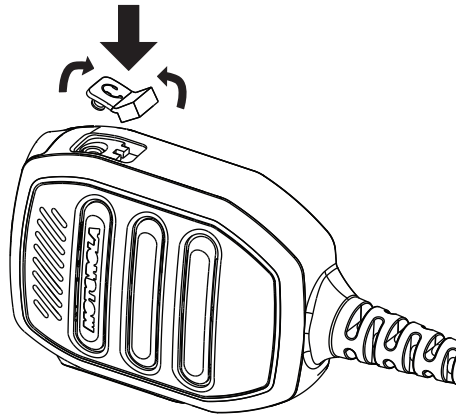
### Replacing the Dust Cover

#### Procedure:

- 1 Lift both sides of the dust cover.
- 2 Pull out the dust cover to dismantle it.



- 3 Bend the dust cover.
- 4 Insert to the dust cover slot.



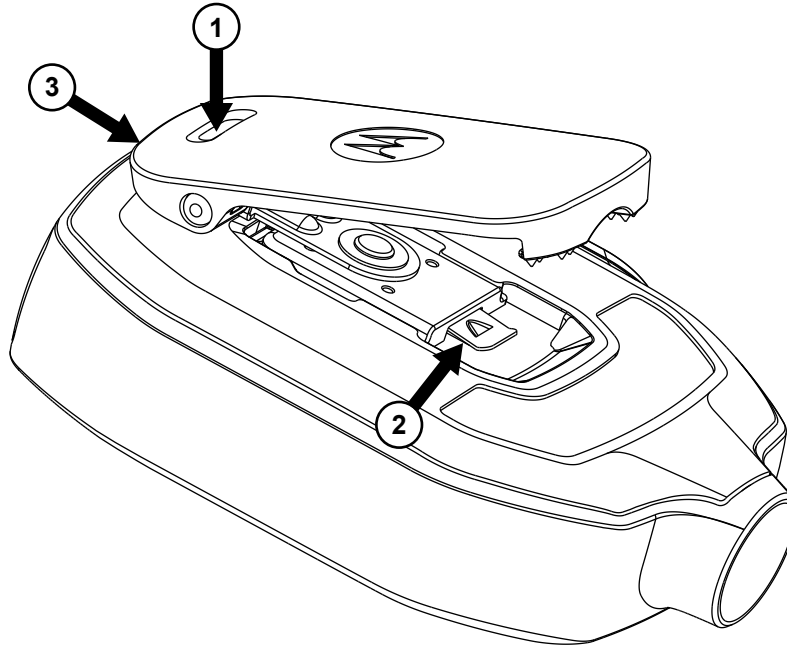
### 8.3

## Replacing Swivel Clip

### 8.3.1

## Detaching Swivel Clip

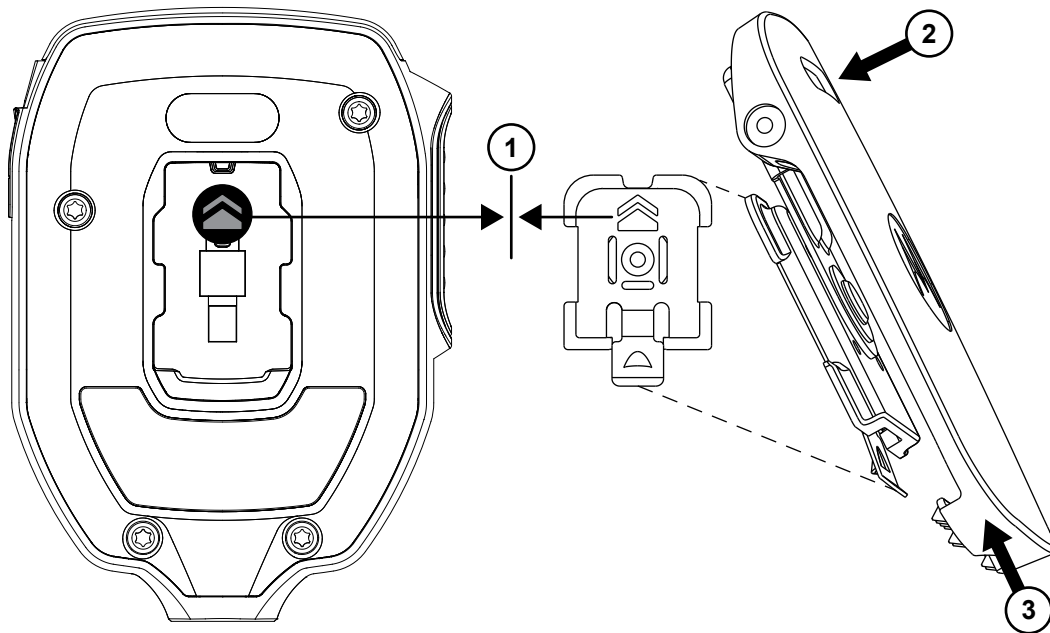
**Procedure:**



- 1 Push top of the clip to raise the clip to the highest position.
- 2 Lift up the bottom release latch.
- 3 Slide the clip to remove the clip.

8.3.2

## Attaching Swivel Clip



**Procedure:**

- 1 Match and align the arrowhead icons and side wings.
- 2 Push down the top of the clip.
- 3 Simultaneously, push slide clip upward.

## Chapter 9

# Service and Warranty

Other than the replaceable cable assembly, dust cover, and clip, the PMMN4140 Remote Speaker Microphone is not repairable.

Motorola Solutions offers warranty for your accessory. Refer to your Motorola Solutions dealer or point-of-purchase for detailed information.



**NOTE:** Warranty is void after customer replacement of any parts other than replacement parts listed.



# **Guide d'utilisation du microphone/haut-parleur à atténuation du vent IMPRES RM760 PMMN4140, grand (IP68)**

**AVRIL 2022**

© 2022 Motorola Solutions, Inc. All rights reserved



MN008152A01-AB

# Sécurité et aspect juridique

Cette section fournit des renseignements sur la sécurité et l'aspect juridique pour ce produit.

## Propriété intellectuelle et avis réglementaires

### Droits d'auteur

Les produits Motorola Solutions décrits dans ce document peuvent inclure des programmes informatiques protégés par des droits d'auteur de Motorola Solutions. Les lois des États-Unis et d'autres pays réservent à Motorola Solutions certains droits exclusifs pour les programmes informatiques protégés par droits d'auteur. Par conséquent, tout programme informatique protégé par droits d'auteur de Motorola Solutions compris dans les produits Motorola Solutions décrits dans le présent document ne peut être copié ni reproduit de quelque manière que ce soit sans l'autorisation écrite expresse de Motorola Solutions.

Aucune partie du présent document ne peut être reproduite, transmise, stockée dans un système de recherche documentaire ou traduite dans une autre langue ou dans un langage informatique, sous quelque forme ou par quelque moyen que ce soit, sans l'autorisation écrite préalable de Motorola Solutions, Inc.

### Marques de commerce

MOTOROLA, MOTO, MOTOROLA SOLUTIONS et le logo au M stylisé sont des marques de commerce ou des marques déposées de Motorola Trademark Holdings LLC et sont utilisées sous licence. Toutes les autres marques de commerce sont la propriété de leurs détenteurs respectifs.

### Droits de licence

L'achat de produits Motorola Solutions ne peut être considéré comme une transaction octroyant directement, par inférence, estoppel ou autrement une licence en vertu des droits d'auteur, des droits de brevets ou d'une demande de brevet de Motorola Solutions, à l'exception d'une licence d'utilisation normale et non exclusive, libre de toute redevance, prévue par la loi lors de la vente d'un produit.

### Contenu à code source libre

Ce produit peut contenir des logiciels libres utilisés sous licence. Reportez-vous au support d'installation du produit pour obtenir tous les avis juridiques relatifs aux logiciels libres et aux contenus d'attribution.

### Directive sur la mise au rebut des équipements électriques et électroniques (DEEE) de l'Union européenne (UE) et du Royaume-Uni (RU)



La directive DEEE de l'Union européenne et les réglementations DEEE du Royaume-Uni exigent que les produits (ou leur emballage, dans certains cas) vendus dans les pays de l'UE ou au Royaume-Uni portent l'étiquette de la poubelle barrée. Comme le définit la directive DEEE, cette étiquette de poubelle barrée signifie que les clients et les utilisateurs finaux dans les pays de l'UE et du RU ne doivent pas jeter les équipements électriques et électroniques ou leurs accessoires dans les ordures domestiques.

Les clients ou les utilisateurs finaux dans les pays de l'UE et du RU doivent communiquer avec le représentant ou le centre de service de leur fournisseur d'équipement pour obtenir des renseignements sur le système de collecte des déchets de leur pays.



## Avis de non-responsabilité

Veillez noter que certaines fonctionnalités, installations et capacités décrites dans ce document pourraient ne pas s'appliquer ou être accordées sous licence pour l'utilisation sur un système particulier, ou pourraient dépendre des caractéristiques d'une unité mobile d'abonné ou d'une configuration de certains paramètres. Veuillez consulter votre personne-ressource chez Motorola Solutions pour en savoir plus.

© 2022 Motorola Solutions, Inc. Tous droits réservés

## Marques de certification



## Adresse de communication

### Pour l'Union européenne, communiquez avec :

Motorola Solutions,  
Czerwone Maki 82,  
30-392 Krakow, Pologne

### Contact R.-U.

Motorola Solutions UK Ltd.,  
Nova South, 160 Victoria Street,  
Londres, SW1E 5LB,  
Royaume-Uni

### Контактна інформація

Моторола Солюшинс Системз Польща  
вул. Червоне Маки, 82,  
30-392 Краків,  
Польща

# Communiquer avec nous

Le centre de soutien et de solutions (SSC) est le point de contact principal pour le soutien technique compris dans l'entente de service de votre organisation avec Motorola Solutions.

Les clients disposant d'ententes de service doivent s'assurer d'appeler le SSC dans toutes les situations énumérées dans la section Responsabilités du client de leur entente de service, notamment :

- Avant le rechargement du logiciel
- Pour confirmer les résultats du dépannage et de l'analyse avant de prendre les mesures

Votre entreprise a reçu les numéros de téléphone du soutien et d'autres coordonnées appropriées pour votre région géographique et votre entente de service. Utilisez ces informations pour obtenir la meilleure réponse possible. Cependant, si nécessaire, vous pouvez également trouver les coordonnées du soutien général sur le site Web de Motorola Solutions, en suivant ces étapes :

- 1 Entrez [motorolasolutions.com](https://motorolasolutions.com) dans votre navigateur.
- 2 Vous devez vous assurer que le pays ou la région de votre organisation se trouve sur la page. Cliquer ou appuyer sur le nom de la région permet de la changer.
- 3 Sélectionnez « Assistance » à la page [motorolasolutions.com](https://motorolasolutions.com).

## Commentaires

Envoyez vos questions et commentaires sur la documentation à l'adresse [documentation@motorolasolutions.com](mailto:documentation@motorolasolutions.com).

Pour signaler une erreur dans la documentation, veuillez fournir les renseignements suivants :

- Le titre et le numéro de pièce du document
- Le numéro de page ou le titre de la section contenant l'erreur
- Une description de l'erreur

Motorola offre plusieurs cours conçus pour vous aider à apprendre à utiliser le système. Pour en savoir davantage et consulter la liste des cours actuellement offerts et les parcours technologiques, accédez à <https://learning.motorolasolutions.com>.

# Conventions des icônes

La documentation est conçue pour donner au lecteur plus d'indices visuels. Les icônes suivantes sont utilisées dans toute la documentation.



**DANGER :**

Le mot-indicateur DANGER avec l'icône de sécurité associée comprend de l'information qui, si elle est ignorée, peut entraîner la mort ou des blessures graves.



**AVERTISSEMENT :**

Le mot-indicateur AVERTISSEMENT avec l'icône de sécurité associée comprend de l'information qui, si elle est ignorée, peut entraîner la mort ou des blessures graves ou de graves dommages au produit.



**MISE EN GARDE :**

Le mot-indicateur MISE EN GARDE avec l'icône de sécurité associée comprend de l'information qui, si elle est ignorée, peut entraîner des blessures mineures ou modérées ou de graves dommages au produit.

**MISE EN GARDE :**

Le mot-indicateur MISE EN GARDE peut être utilisé sans l'icône de sécurité pour signaler de possibles blessures ou dommages qui ne sont pas liés au produit.



**IMPORTANT :**

Les énoncés avec le mot-indicateur IMPORTANT contiennent de l'information cruciale sur le sujet abordé, mais ne sont pas des MISES EN GARDE ni des AVERTISSEMENTS. Aucun niveau d'avertissement n'est associé aux énoncés « IMPORTANT ».




**REMARQUE :**

Un AVIS contient des informations plus importantes que le texte avoisinant, comme des exceptions ou des conditions préalables. Les avis peuvent également renvoyer le lecteur ailleurs pour des renseignements supplémentaires, lui rappeler comment effectuer une action (lorsqu'elle ne fait pas partie de la présente procédure, par exemple) ou lui dire où se trouve quelque chose à l'écran. Aucun niveau d'avertissement n'est associé à un avis.

# Conventions de style

Les conventions de style suivantes sont utilisées :

Convention	Description
<b>Gras</b>	Ce type de police est utilisé pour les noms de fenêtres, de touches et d'étiquettes, lorsque ces noms apparaissent à l'écran (par exemple : fenêtre <b>Navigateur d'alarmes</b> ). Lorsqu'il est clair que nous faisons référence, par exemple, à une touche, le nom est utilisé seul (exemple : Cliquez sur <b>OK</b> ).
Monospacing font in bold	Ce type de police est utilisé pour les mots qui doivent être tapés exactement comme ils sont illustrés dans le texte (exemple : Dans le champ <b>Address</b> (Adresse), tapez <code>http://ucs01.ucs:9080/</code> ).
Police à espacement constant	Ce type de police est utilisé pour les messages, les messages-guides et autres textes affichés à l'écran de l'ordinateur (exemple : Une nouvelle destination de rejet a été ajoutée).
<i>&lt;Monospacing font in bold Italic&gt;</i>	Ce type de police est utilisé avec des crochets en chevron pour identifier un paramètre fictif pour un membre spécifique du groupe que les mots représentent (par exemple : <i>&lt;router number&gt;</i> ).
	 <b>REMARQUE :</b> Dans les séquences à taper, les crochets en chevron sont omis afin d'éviter toute confusion quant à l'inclusion des crochets dans le texte à taper.
MAJUSCULES	Ce type de caractères est utilisé pour les touches de clavier (exemple : Appuyez sur Y, puis sur ENTRÉE).
<i>Italique</i>	Ce type de police est utilisé pour les citations. Une citation est habituellement le nom d'un document ou une phrase provenant d'un autre document (par exemple : <i>Présentation du système Dimetra IP</i> ).
→	Un signe → (flèche pointant vers la droite) sert à indiquer la structure de menu ou d'onglet dans les instructions pour sélectionner un élément de menu (par exemple : <b>Fichier</b> → <b>Enregistrer</b> ) ou un sous-onglet particulier.

# Table des matières

<b>Sécurité et aspect juridique.....</b>	<b>2</b>
Propriété intellectuelle et avis réglementaires.....	2
Marques de certification.....	3
Adresse de communication.....	3
<b>Communiquer avec nous.....</b>	<b>4</b>
<b>Conventions des icônes.....</b>	<b>5</b>
<b>Conventions de style.....</b>	<b>6</b>
<b>Exposition aux radiofréquences et sécurité du produit.....</b>	<b>8</b>
<b>Chapitre 1 : Aperçu du produit.....</b>	<b>9</b>
1.1 Émission et réception.....	9
<b>Chapitre 2 : Pratiques recommandées pour le RM760.....</b>	<b>11</b>
<b>Chapitre 3 : Fixation du RSM à la radio.....</b>	<b>12</b>
<b>Chapitre 4 : Débranchement du RSM de la radio.....</b>	<b>13</b>
<b>Chapitre 5 : Position de port recommandée.....</b>	<b>14</b>
<b>Chapitre 6 : Gestion des câbles.....</b>	<b>15</b>
<b>Chapitre 7 : Accessoires en option.....</b>	<b>16</b>
<b>Chapitre 8 : Pièces de rechange.....</b>	<b>17</b>
8.1 Remplacement du cordon spiralé.....	17
8.2 Remplacement du cache-poussière.....	18
8.3 Pince pivotante de rechange.....	20
8.3.1 Retrait de la pince pivotante.....	20
8.3.2 Fixation de la pince pivotante.....	21
<b>Chapitre 9 : Service et garantie.....</b>	<b>22</b>

# Exposition aux radiofréquences et sécurité du produit

Ce document contient d'importantes directives relatives à la sécurité et au fonctionnement de l'appareil. Veuillez lire attentivement cette notice et la conserver pour vous y référer ultérieurement.

## **MISE EN GARDE :**

Avant d'utiliser cet accessoire, lisez le guide, qui contient d'importantes instructions de fonctionnement pour une utilisation sécuritaire et des informations sur l'exposition aux radiofréquences, dans le but d'assurer votre conformité aux normes et règlements en vigueur.

Le haut-parleur/microphone distant (RSM), lorsqu'il est branché à la radio, ne doit être utilisé qu'à des fins professionnelles, conformément aux exigences de la FCC et de l'ICNIRP en matière d'exposition aux radiofréquences. Avant d'utiliser ce produit, lisez les informations relatives à l'exposition à l'énergie RF ainsi que le mode d'emploi contenus dans la brochure Sécurité du produit et exposition aux radiofréquences fournie avec la radio afin d'assurer sa conformité aux limites d'exposition à l'énergie des radiofréquences.

## **Protection de l'ouïe**

Une exposition à des bruits forts en provenance de n'importe quelle source pendant de longues périodes pourrait affecter votre audition de manière temporaire ou permanente. Plus le volume sonore de la radio est élevé, plus votre audition peut se détériorer rapidement.

Des dommages auditifs dus à l'exposition à des bruits forts peuvent d'abord être indétectables, mais ceux-ci ont parfois des effets cumulatifs.

Suivez ces directives pour protéger votre ouïe :

- Réglez le volume le plus bas possible pour effectuer votre travail.
- Montez le volume seulement si vous vous trouvez dans un environnement bruyant.
- Réduisez le volume avant de brancher un casque ou un écouteur.
- Limitez la période de temps d'utilisation du casque ou de l'écouteur à volume élevé.
- Lorsque vous utilisez la radio sans casque ni écouteur, ne placez pas le haut-parleur de la radio directement sur votre oreille.
- Si vous ressentez une gêne auditive, que vous entendez des sifflements ou que les conversations sont étouffées, vous devez cesser d'utiliser votre radio avec un casque ou un écouteur et consulter votre médecin pour faire vérifier votre audition. Pour changer le niveau de volume, reportez-vous à la *brochure sur la sécurité du produit* ou à Configurations du *CPS* extra fort (xL) pour trousse de surveillance.

## Chapitre 1

# Aperçu du produit

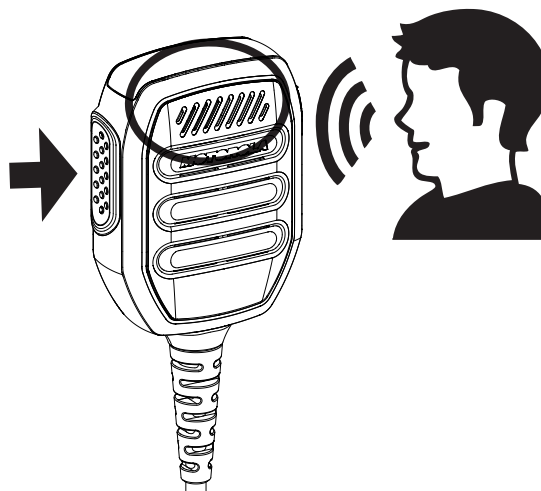
Le présent manuel d'utilisation décrit le microphone/haut-parleur à atténuation du vent IMPRES RM760 PMMN4140, grand (IP68).



Numéro	Description
1	Touche PTT
2	Prise d'écouteur 3,5 mm pour réception seulement (non fileté) couverte du cache-poussière

## 1.1 Émission et réception

Figure 1 : Émission



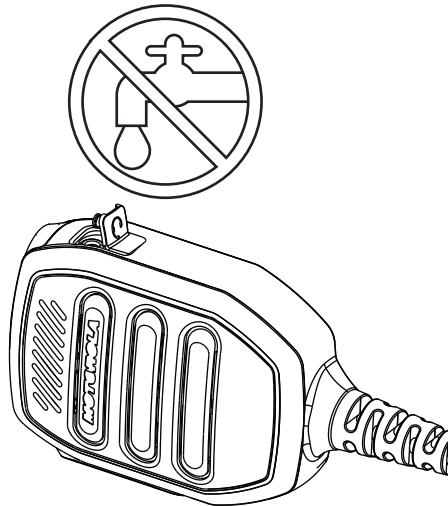
**Figure 2 : Réception**





## Chapitre 2

# Pratiques recommandées pour le RM760



- Couvrez la prise audio avec le cache-poussière lorsque aucun écouteur n'est branché. Ne laissez pas d'eau entrer dans la prise audio.
- Si de l'eau pénètre dans la prise audio, retirez l'eau en secouant le RSM.

## Chapitre 3

# Fixation du RSM à la radio

### Procédure :

- 1 Branchez le connecteur du RSM au connecteur latéral de la radio.
- 2 Vissez la vis de connexion dans le sens horaire jusqu'à ce qu'elle soit serrée.



**REMARQUE :**

Pour assurer un bon fonctionnement, éteignez la radio avant de brancher le RSM à celle-ci. Le branchement du RSM à la radio désactive le haut-parleur de la radio, mais ne désactive pas le microphone et la fonction PTT.

## Chapitre 4

# Débranchement du RSM de la radio

**Procédure :**

- 1 Dévissez et retirez le connecteur du RSM du connecteur latéral de la radio.
- 2 Laissez le cache-poussière inséré dans la prise audio du RSM lorsqu'un accessoire secondaire n'est pas utilisé.

## Chapitre 5

# Position de port recommandée

Figure 3 : Position de port RM760

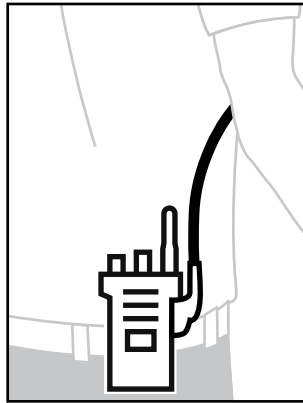


## Chapitre 6

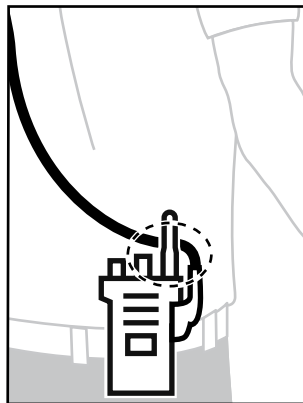
# Gestion des câbles

Cette section décrit la position recommandée du câble.

**Figure 4 : Recommandé**



**Figure 5 : Non recommandé**



Pour assurer une portée et une expérience utilisateur optimales, il est recommandé d'éviter de croiser un câble d'accessoire avec l'antenne de la radio.

## Chapitre 7

# Accessoires en option

Non	Description
PMLN8120	Écouteur à tube transparent xL Rx seulement, prise 3,5 mm

## Chapitre 8

# Pièces de rechange

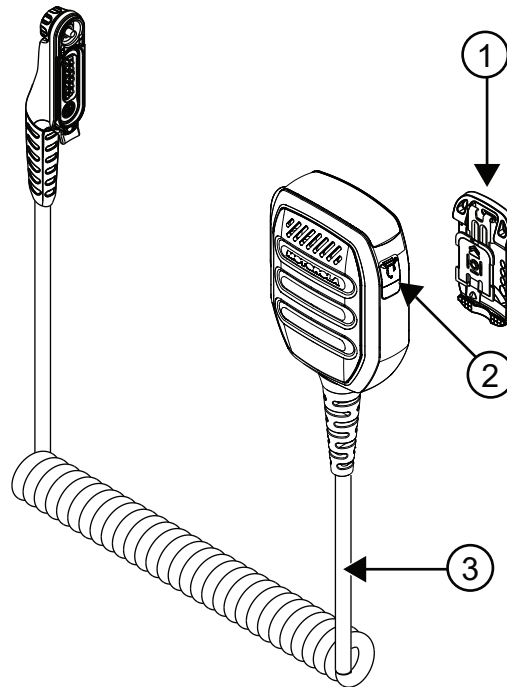


Tableau 1 : Description des pièces de rechange

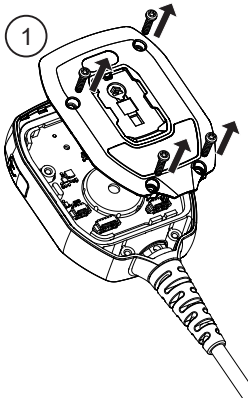
Non	Descriptions
1	Pince pivotante à profil bas (PMLN8121)
2	Paquet de 10 couvercles de protection (PMLN8122)
3	Cordon spiralé (PMKN4232)

### 8.1

## Remplacement du cordon spiralé

### Procédure :

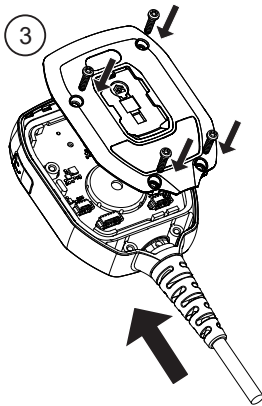
- 1 Retirez les vis pour démonter le RSM.



2 Retirez le câble.



3 Installez de nouveau le RSM.

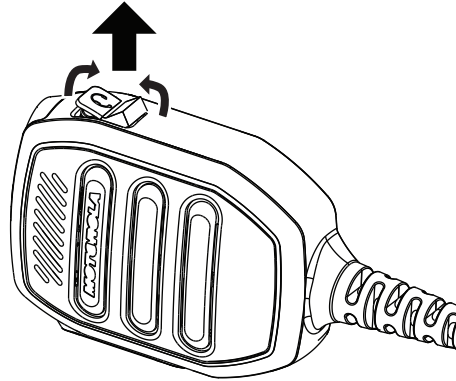


## 8.2 Remplacement du cache-poussière

Procédure :

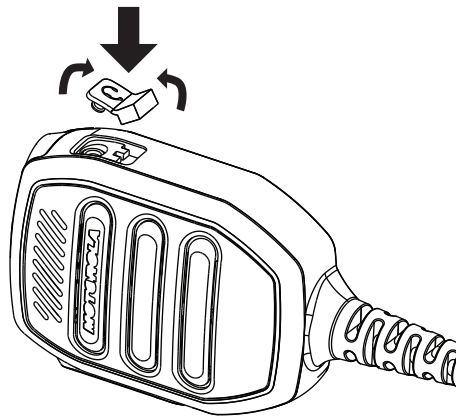
- 1 Soulever les deux côtés du cache-poussière.
- 2 Retirez le cache-poussière pour le démonter.





3 Pliez le cache-poussière.

4 L'insérez dans la fente du cache-poussière.



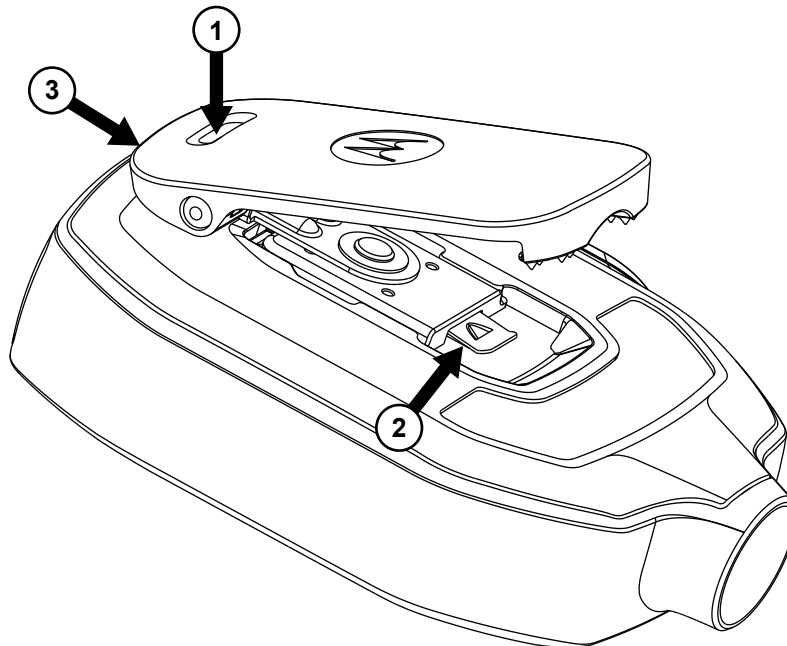
### 8.3

## Pince pivotante de rechange

### 8.3.1

## Retrait de la pince pivotante

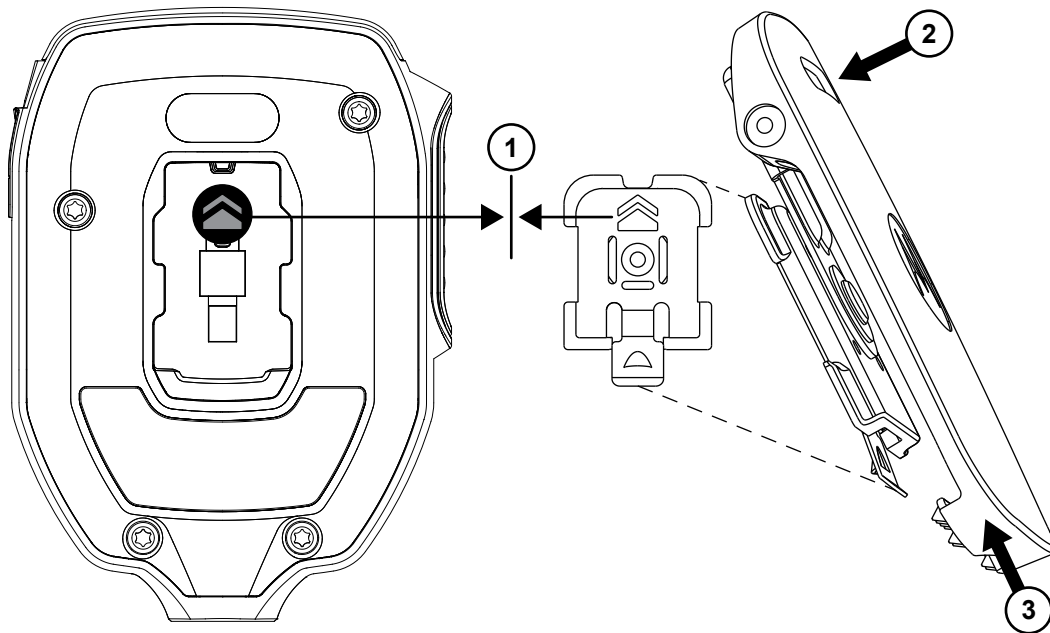
Procédure :



- 1 Poussez le haut de la pince pour la placer en position la plus élevée.
- 2 Soulevez le loquet de déverrouillage inférieur.
- 3 Faites glisser la pince pour la retirer.

8.3.2

## Fixation de la pince pivotante



**Procédure :**

- 1 Alignez les icônes de tête de flèche et les ailes latérales.
- 2 Appuyez sur le haut de la pince.
- 3 En même temps, poussez la pince coulissante vers le haut.

## Chapitre 9

# Service et garantie

Mis à part le câble, le cache-poussière et la pince remplaçables, le haut-parleur/microphone distant PMMN4140 ne peut pas être réparé.

Motorola Solutions offre une garantie pour votre accessoire. Consultez votre détaillant Motorola Solutions ou votre point de vente pour obtenir des renseignements détaillés.



**REMARQUE :**

La garantie sera nulle si le client remplace des pièces autres que les pièces de rechange indiquées.



# **Guía de usuario del micrófono con altavoz remoto y Windporting PMMN4140 RM760 IMPRES, tamaño grande (IP68)**

**ABRIL 2022**

© 2022 Motorola Solutions, Inc. All rights reserved



MN008152A01-AB

# Protección e información legal

Esta sección contiene información sobre la protección y los aspectos legales de este producto.

## Propiedad intelectual y avisos normativos

### Derechos de autor

Entre los productos Motorola Solutions que se describen en esta documentación, se pueden incluir programas informáticos de Motorola Solutions que están protegidos por derechos de autor. Las leyes de Estados Unidos y de otros países preservan para Motorola Solutions ciertos derechos exclusivos sobre los programas informáticos protegidos por derechos de autor. Del mismo modo, los programas informáticos protegidos por derechos de autor de Motorola Solutions incluidos en los productos de Motorola Solutions que se describen en este documento no podrán copiarse ni reproducirse de ninguna forma sin el expreso consentimiento por escrito de Motorola Solutions.

Ninguna parte de este documento se puede reproducir, transmitir, almacenar en un sistema recuperable, ni traducir a ningún idioma ni lenguaje informático, de ninguna forma ni por ningún medio, sin la autorización expresa por escrito de Motorola Solutions, Inc.

### Marcas comerciales

MOTOROLA, MOTO, MOTOROLA SOLUTIONS y el logotipo de la M estilizada son marcas comerciales o marcas comerciales registradas de Motorola Trademark Holdings, LLC y se utilizan bajo licencia. Todas las demás marcas comerciales pertenecen a sus respectivos propietarios.

### Derechos de licencia

No se considerará que la compra de productos Motorola Solutions otorgue, en forma directa, implícita, por exclusión ni de ningún otro modo, una licencia sobre los derechos de autor, las patentes o las aplicaciones de patentes de Motorola Solutions, excepto la licencia normal, no exclusiva y libre de regalías de uso que surge de las consecuencias legales de la venta de un producto.

### Contenido de código abierto

Este producto puede contener software de código abierto utilizado bajo licencia. Consulte los medios de instalación del producto para obtener el contenido completo de Atribución y Avisos legales de código abierto.

### Directiva de Residuos de Aparatos Eléctricos y Electrónicos (RAEE) de la Unión Europea (UE) y el Reino Unido (UK)



En la Directiva de RAEE de la Unión Europea y el Reino Unido, se exige que los productos que se venden en los países de la UE y en el Reino Unido tengan la etiqueta de un bote de basura tachado sobre el producto (o en el paquete en algunos casos). Como define la directiva WEEE, esta etiqueta con un bote de basura tachado indica que los clientes y los usuarios finales en los países de la UE y el Reino Unido no deben botar equipos o accesorios eléctricos y electrónicos en la basura doméstica.

Los clientes o los usuarios finales en los países de la UE y en el Reino Unido deben comunicarse con su representante distribuidor de equipos o centro de servicio local para obtener información sobre el sistema de recolección de residuos de su país.

## Descargo de responsabilidad

Tenga en cuenta que determinadas funciones, instalaciones y capacidades que se describen en este documento podrían no ser aplicables o no tener licencia para su uso en un sistema específico, o bien pueden ser dependientes de las características de una unidad de suscriptor móvil específico o la configuración de ciertos parámetros. Comuníquese con un representante de Motorola Solutions para obtener más información.

© 2022 Motorola Solutions, Inc. Todos los derechos reservados.

## Marcas de certificación



## Dirección de contacto

### Contacto de la Unión Europea

Motorola Solutions,  
Czerwone Maki 82,  
30-392 Cracovia, Polonia

### Contacto del Reino Unido

Motorola Solutions UK Ltd.,  
Nova South, 160 Victoria Street,  
Londres, SW1E 5LB,  
Reino Unido

### Контактна інформація

Моторола Солюшинс Системз Польща  
вул. Червоне Маки, 82,  
30-392 Краків,  
Польща

# Comuníquese con nosotros

El Centro de soporte de soluciones (SSC) es el principal contacto para solicitar asistencia técnica incluida en el contrato de servicio de su organización con Motorola Solutions.

Los clientes con contrato de servicio deben llamar al SSC en todas las situaciones que se mencionan en la sección "Responsabilidades del cliente" de su contrato, tales como las siguientes:

- Antes de volver a cargar el software.
- Para confirmar los resultados y análisis de la solución de problemas antes de tomar medidas.

Su organización recibió números telefónicos de asistencia y otros datos de contacto de acuerdo con su región geográfica y contrato de servicio. Use esa información de contacto para obtener una respuesta más eficaz. Sin embargo, si es necesario, también puede encontrar información de contacto de asistencia general en el sitio web de Motorola Solutions si sigue estos pasos:

- 1 Ingrese a [motorolasolutions.com](https://motorolasolutions.com) en su navegador.
- 2 Asegúrese de que el país o la región de su organización aparezcan en la página. Haga clic en el nombre de la región o presiónela para cambiarla.
- 3 Seleccione "Soporte" en la página [motorolasolutions.com](https://motorolasolutions.com).

## Comentarios

Envíe preguntas y comentarios sobre la documentación del usuario a [documentation@motorolasolutions.com](mailto:documentation@motorolasolutions.com).

Proporcione la siguiente información cuando informe sobre un error de documentación:

- El título del documento y el número de pieza.
- El número de página o el título de la sección que contiene el error.
- Una descripción del error.

Motorola Solutions ofrece diversos cursos diseñados para ayudar a conocer el sistema. Para obtener información, vaya a <https://learning.motorolasolutions.com> a fin de ver las ofertas de cursos actuales y las rutas tecnológicas.



# Convenciones de íconos

El conjunto de documentación está diseñado para proporcionar al lector indicaciones visuales adicionales. Los siguientes íconos gráficos se usan en todo el conjunto de documentación.



**PELIGRO:**

La palabra de señal PELIGRO con el ícono de protección asociado indican información que, si se ignora, provocará la muerte o heridas graves.



**ADVERTENCIA:**

La palabra de señal ADVERTENCIA con el ícono de protección asociado indican información que, si se ignora, puede provocar la muerte, heridas graves o un daño grave al producto.



**PRECAUCIÓN:**

La palabra de señal PRECAUCIÓN con el ícono de protección asociado indican información que, si se ignora, podría provocar heridas leves o moderadas, o un daño grave al producto.

**PRECAUCIÓN:**

La palabra de señal PRECAUCIÓN puede usarse sin el ícono de protección para indicar posibles daños o heridas no relacionados con el producto.



**IMPORTANTE:**

Las declaraciones identificadas con la palabra IMPORTANTE contienen información que es fundamental para el tema tratado, pero que no se considera una PRECAUCIÓN ni una ADVERTENCIA. No hay ningún nivel de advertencia asociado con la declaración IMPORTANTE.




**NOTA:**

El AVISO contiene información más importante que el texto circundante, como excepciones o condiciones previas. En los avisos también se dirige al lector a información adicional, se le recuerda cómo completar una acción (por ejemplo, cuando no es parte del procedimiento actual) o se le indica dónde está algo en la pantalla. No hay ningún nivel de advertencia asociado con un aviso.

# Convenciones de estilo

Se utilizan las siguientes convenciones de estilo:

Convención	Descripción
<b>Negrita</b>	Este tipo de letra se usa para nombres (por ejemplo: nombres de ventanas, botones y etiquetas) cuando aparecen en la pantalla (por ejemplo: la ventana <b>Navegador de alarmas</b> ). Cuando está claro que nos referimos, por ejemplo, a un botón, el nombre se usa solo (por ejemplo: haga clic en <b>Aceptar</b> ).
Monospacing font in bold	Este tipo de letra se utiliza para palabras que se escriben exactamente como se muestran en el texto (por ejemplo: En el campo <b>Dirección</b> , escriba <code>http://ucs01.ucs:9080/</code> ).
Fuente con un solo espacio	Este tipo de letra se utiliza para mensajes, indicaciones y otros tipos de texto que se muestran en la pantalla de la computadora (por ejemplo: Se agregó un nuevo destino de captura).
<i>&lt;Monospacing font in bold Italic&gt;</i>	Este tipo de letra se utiliza con paréntesis angulares como marcadores de posición para un miembro específico del grupo que las palabras representan (por ejemplo: <i>&lt;router number&gt;</i> ).
	 <b>NOTA:</b> En las secuencias que se van a escribir, los paréntesis angulares se omiten para evitar alguna confusión con respecto a si incluir los paréntesis angulares en el texto que se va a escribir.
MAYÚSCULAS	Este tipo de letra se utiliza para las teclas del teclado (por ejemplo: presione Y; luego, INTRO).
<i>Cursiva</i>	Este tipo de letra se usa para citas. Una cita suele ser el nombre de un documento o una frase de otro documento (por ejemplo: <i>Descripción general del sistema Dimetra IP</i> ).
→	Una → (flecha a la derecha) se utiliza para indicar la estructura de menú o pestaña en las instrucciones sobre cómo seleccionar un determinado elemento del menú (por ejemplo: <b>Archivo</b> → <b>Guardar</b> ) o una subpestaña determinada.

# Contenido

<b>Protección e información legal.....</b>	<b>2</b>
Propiedad intelectual y avisos normativos.....	2
Marcas de certificación.....	3
Dirección de contacto.....	3
<b>Comuníquese con nosotros.....</b>	<b>4</b>
<b>Convenciones de íconos.....</b>	<b>5</b>
<b>Convenciones de estilo.....</b>	<b>6</b>
<b>Guía de seguridad del producto y exposición a energía de radiofrecuencia.....</b>	<b>8</b>
<b>Capítulo 1 : Descripción general del producto.....</b>	<b>9</b>
1.1 Transmisión y recepción.....	9
<b>Capítulo 2 : Prácticas recomendadas para RM760.....</b>	<b>11</b>
<b>Capítulo 3 : Conexión del RSM al radio.....</b>	<b>12</b>
<b>Capítulo 4 : Desconexión del RSM del radio.....</b>	<b>13</b>
<b>Capítulo 5 : Posición de uso recomendada.....</b>	<b>14</b>
<b>Capítulo 6 : Administrador de cables.....</b>	<b>15</b>
<b>Capítulo 7 : Accesorios opcionales.....</b>	<b>16</b>
<b>Capítulo 8 : Piezas de repuesto.....</b>	<b>17</b>
8.1 Reemplazo del cable en espiral.....	17
8.2 Reemplazo de la cubierta antipolvo.....	18
8.3 Reemplazo del clip giratorio.....	20
8.3.1 Desconexión del clip giratorio.....	20
8.3.2 Instalación del clip giratorio.....	21
<b>Capítulo 9 : Servicio y garantía.....</b>	<b>22</b>

# Guía de seguridad del producto y exposición a energía de radiofrecuencia

Este documento contiene instrucciones de seguridad y funcionamiento importantes. Lea atentamente estas instrucciones y consérvelas para referencia futura.

## **PRECAUCIÓN:**

Antes de usar este accesorio, lea esta guía que contiene instrucciones de funcionamiento importantes para un uso seguro del dispositivo e instrucciones para conocer y controlar la energía de radiofrecuencia a fin de cumplir con las normas y regulaciones correspondientes.

Cuando el micrófono del altavoz remoto (RSM) se conecta al radio, queda restringido solo a uso ocupacional a fin de cumplir los requerimientos de exposición a la energía de radiofrecuencia de FCC/ICNIRP. Antes de usar este producto, lea la información acerca del conocimiento de la energía de radiofrecuencia y las instrucciones de uso en el folleto Seguridad del producto y exposición a radiofrecuencia, que se incluye con el radio, para garantizar el cumplimiento de los límites de exposición a la energía de radiofrecuencia.

## **Protección acústica**

La exposición a ruidos fuertes de cualquier fuente durante períodos prolongados podría afectar la audición de manera temporal o permanente. Cuanto más alto sea el volumen del radio, más rápido se verá afectada la audición.

En ocasiones, el daño a la audición provocado por ruidos fuertes no es detectable en un principio y puede tener efecto acumulativo.

Siga las pautas que aparecen a continuación para proteger su audición:

- Utilice el volumen más bajo que necesite para hacer su trabajo.
- Aumente el volumen solo si se encuentra en un ambiente ruidoso.
- Reduzca el volumen antes de conectar los auriculares o los audífonos.
- Restrinja el tiempo durante el cual usa los auriculares o los audífonos con un volumen alto.
- Cuando use el radio sin auriculares o audífonos, no coloque el altavoz del radio directamente en la oreja.
- Si experimenta molestias para escuchar, zumbidos en los oídos o no escucha bien cuando le hablan, debe dejar de escuchar el radio a través del audífono o auricular y acudir a un médico para que revise su audición. Para cambiar el nivel de volumen, consulte el *Folleto de seguridad del producto del radio* o *CPS* para obtener información sobre la configuración del kit de vigilancia con volumen extra fuerte (XL).

## Capítulo 1

# Descripción general del producto

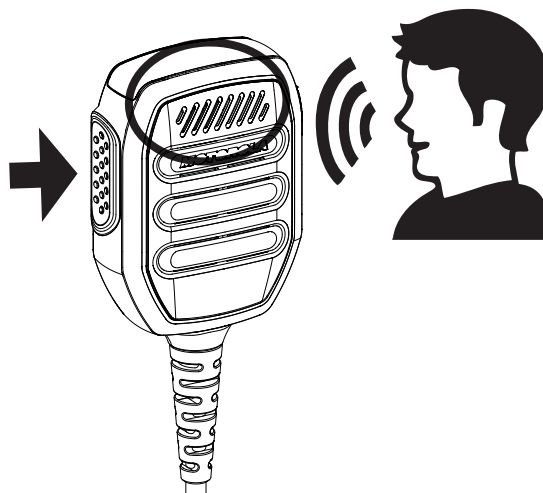
En este manual del usuario, se describe el micrófono con altavoz remoto y Windporting RM760 IMPRES, tamaño grande básico (IP68), PMMN4140.



Número	Descripción
1	Botón Push-to-Talk
2	Conector de audio de 3,5 mm (no roscado) solo para recepción, cubierto por tapa antipolvo

### 1.1 Transmisión y recepción

Figura 1 : Transmisión

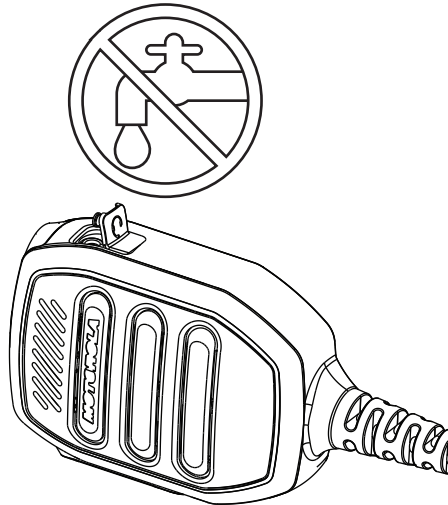


**Figura 2 : Recepción**



## Capítulo 2

# Prácticas recomendadas para RM760



- Cubra el conector de audio con la cubierta antipolvo cuando no esté conectado a un auricular. No ponga el conector de audio en contacto con el agua.
- Si entra agua en el conector de audio, sacuda el RSM para quitar el agua.

## Capítulo 3

# Conexión del RSM al radio

### Procedimiento:

- 1 Enchufe el conector del RSM al conector lateral del radio.
- 2 Fije el tornillo de conexión hacia la derecha hasta que quede firme.



**NOTA:**

Para garantizar un correcto funcionamiento, apague el radio antes de conectar el RSM al radio. Conectar el RSM al radio desactiva el altavoz del radio, pero no desactiva el micrófono ni el botón PTT del radio.



## Capítulo 4

# Desconexión del RSM del radio

### Procedimiento:

- 1 Desatornille y retire el conector del RSM del conector lateral del radio.
- 2 Mantenga la cubierta antipolvo insertada en el conector de audio del RSM cuando no utilice un accesorio secundario.

## Capítulo 5

# Posición de uso recomendada

Figura 3 : Posición de uso del RM760

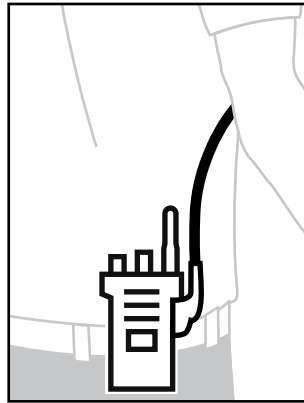


## Capítulo 6

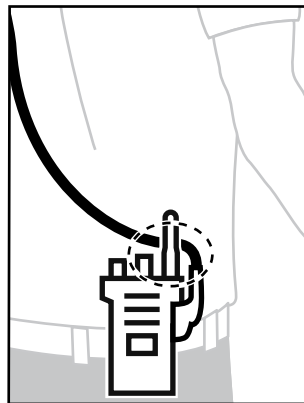
# Administrador de cables

En esta sección, se describe la posición recomendada del cable.

**Figura 4 : Recomendado**



**Figura 5 : No recomendado**



Para garantizar un alcance y una experiencia de usuario óptimos, se recomienda evitar cruzar el cable accesorio con la antena del radio.

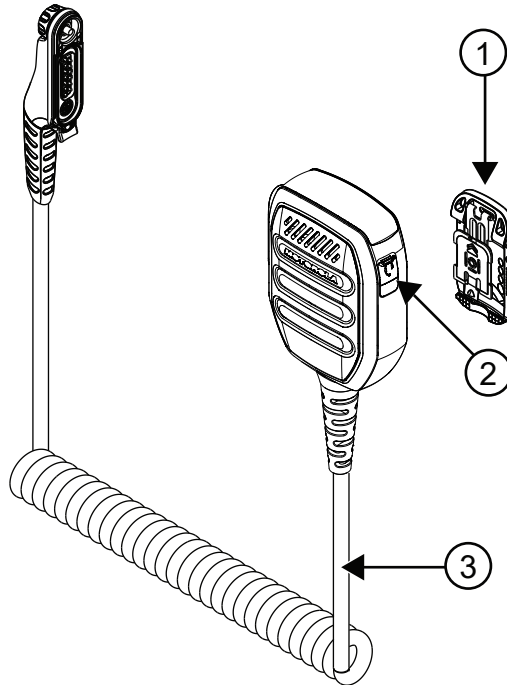
## Capítulo 7

# Accesorios opcionales

No	Descripciones
PMLN8120	Auricular de tubo transparente XL, solo RX, conector de 3,5 mm

## Capítulo 8

# Piezas de repuesto



Mesa 1 : Descripciones de piezas de repuesto

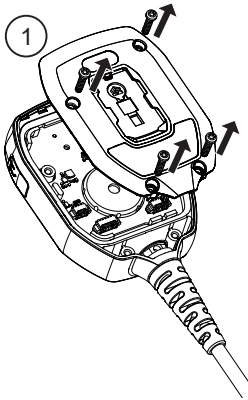
N.º	Descripciones
1	Clip giratorio de bajo perfil (PMLN8121)
2	Cubierta antipolvo, 10 piezas/paquete (PMLN8122)
3	Cable en espiral (PMKN4232)

### 8.1

## Reemplazo del cable en espiral

### Procedimiento:

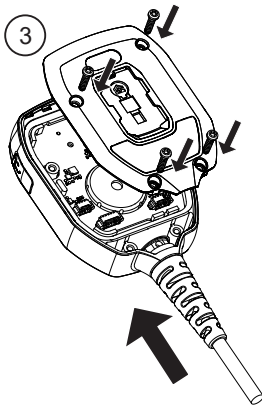
- 1 Retire los tornillos para desmontar el RSM.



2 Quite el cable.



3 Vuelva a montar el RSM.

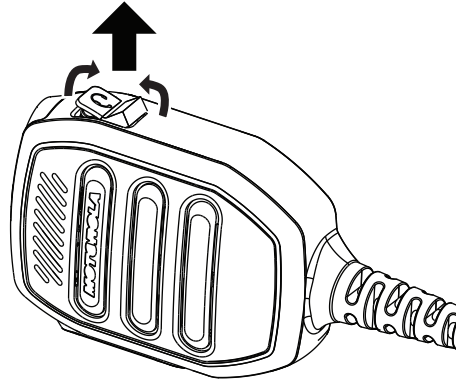


## 8.2

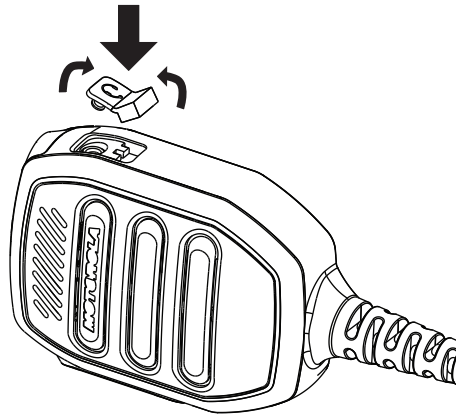
### Reemplazo de la cubierta antipolvo

#### Procedimiento:

- 1 Levante ambos lados de la cubierta antipolvo.
- 2 Tire de la cubierta antipolvo para desmontarla.



- 3 Doble la cubierta antipolvo.
- 4 Inserte en la ranura de la cubierta antipolvo.



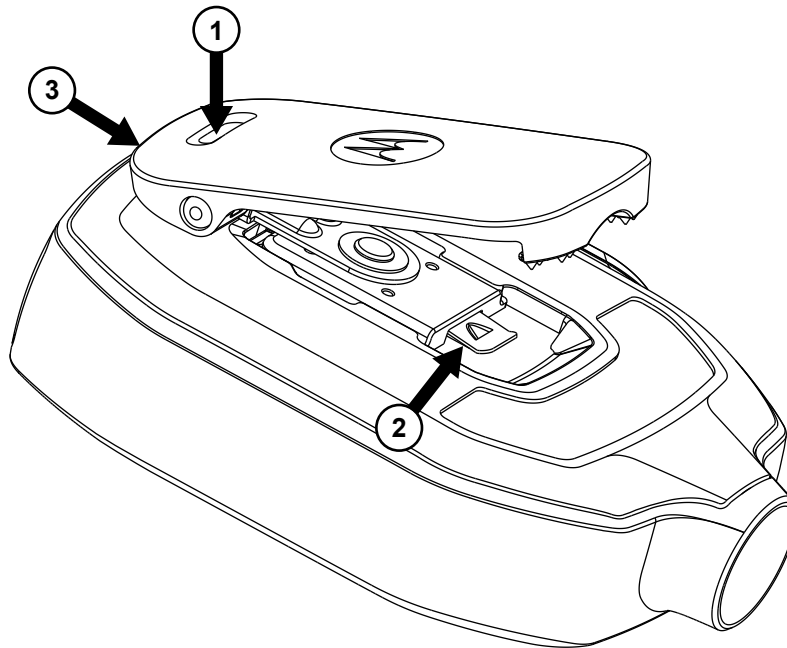
### 8.3

## Reemplazo del clip giratorio

### 8.3.1

## Desconexión del clip giratorio

**Procedimiento:**

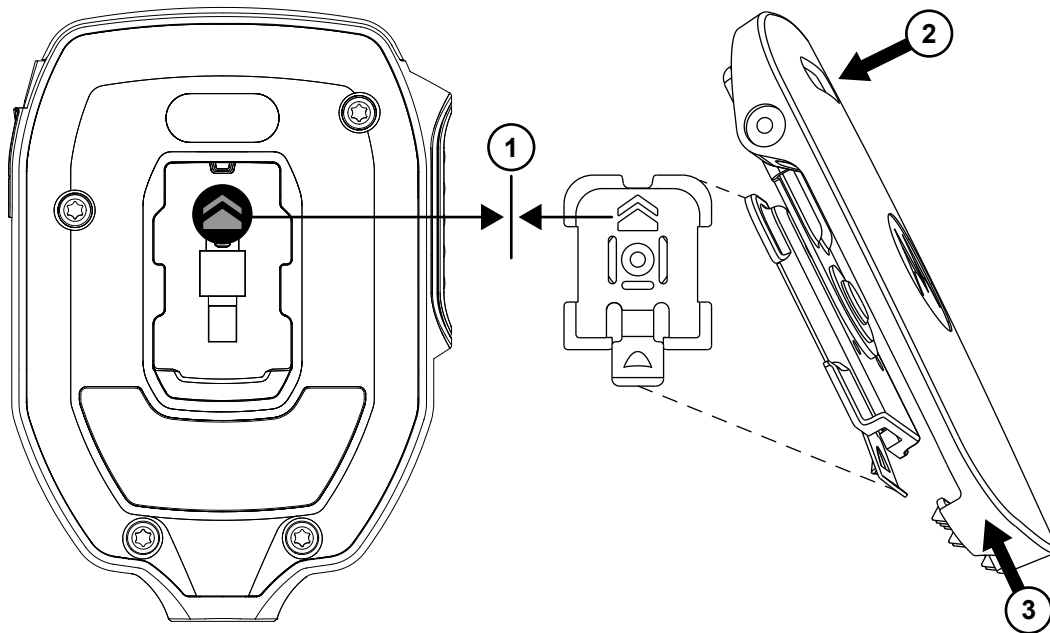


- 1 Presione la parte superior del clip para levantarlo hasta la posición más alta.
- 2 Levante el pestillo de liberación inferior.
- 3 Deslice el clip para quitarlo.



### 8.3.2

## Instalación del clip giratorio



### Procedimiento:

- 1 Haga coincidir los íconos de punta de flecha y las alas laterales, y alinéelos.
- 2 Empuje hacia abajo la parte superior del clip.
- 3 Simultáneamente, empuje el clip deslizante hacia arriba.

## Capítulo 9

# Servicio y garantía

Aparte del conjunto reemplazable de cable, la tapa antipolvo y el clip, el micrófono del altavoz remoto PMMN4140 no se puede reparar.

Motorola Solutions ofrece una garantía para su accesorio. Consulte a su distribuidor o punto de venta de Motorola Solutions para obtener información detallada.



**NOTA:**

Se anulará la garantía en caso de que el cliente reemplace cualquiera de las piezas por otras distintas de las que aparecen en la lista de piezas de repuesto.



# **Guia do usuário do microfone com alto-falante remoto Windporting IMPRES PMMN4140 RM760 grande (IP68)**

**ABRIL 2022**

© 2022 Motorola Solutions, Inc. All rights reserved



MN008152A01-AB

# Segurança e legislação

Esta seção fornece informações sobre segurança e legislação para este produto.

## Propriedade intelectual e avisos regulatórios

### Direitos autorais

Os produtos da Motorola Solutions descritos neste documento podem incluir programas de computador da Motorola Solutions protegidos por direitos autorais. As leis dos Estados Unidos e de outros países garantem determinados direitos exclusivos da Motorola Solutions para programas de computador protegidos por direitos autorais. Conseqüentemente, nenhum programa de computador protegido por direitos autorais da Motorola Solutions contido nos produtos da Motorola Solutions descritos neste documento pode ser copiado ou reproduzido sob qualquer forma sem a permissão expressa por escrito da Motorola Solutions.

Nenhuma parte deste documento pode ser reproduzida, transmitida, armazenada em um sistema de recuperação ou traduzida para qualquer idioma ou linguagem de computador, de forma alguma ou por qualquer meio, sem a prévia permissão por escrito da Motorola Solutions, Inc.

### Marcas registradas

MOTOROLA, MOTO, MOTOROLA SOLUTIONS e o logotipo "M" estilizado são marcas comerciais ou registradas da Motorola Trademark Holdings, LLC, e são utilizadas sob licença. Todas as demais marcas comerciais pertencem aos seus respectivos proprietários.

### Direitos de licença

Não se deve supor que a aquisição de produtos da Motorola Solutions garanta, direta ou implicitamente, por impedimento ou qualquer outra forma, qualquer licença de direito autoral, patente ou aplicação de patente da Motorola Solutions, exceto a licença de uso regular não exclusiva, isenta de exploração de patente concedida pelas leis inerentes à venda de um produto.

### Conteúdo de código aberto

Este produto pode conter software de código aberto usado sob licença. Consulte a mídia de instalação do produto para obter o conteúdo completo sobre atribuição e avisos legais de código aberto.

### Diretiva de resíduos de equipamentos elétricos e eletrônicos (WEEE) da União Europeia e Reino Unido



A diretiva de WEEE da União Europeia e a regulamentação WEEE do Reino Unido exigem que os produtos vendidos nos países da União Europeia e Reino Unido tenham a etiqueta de lixeira cruzada no produto (ou na embalagem, em alguns casos). Conforme definido pela Diretiva de WEEE, essa etiqueta de lixeira cruzada indica que os clientes e os usuários finais nos países da União Europeia e Reino Unido não devem descartar equipamentos ou acessórios elétricos ou eletrônicos em lixo doméstico.

Os clientes ou os usuários dos países da União Europeia e Reino Unido devem entrar em contato com o representante do fornecedor do equipamento ou com o centro de assistência local para obter informações sobre o sistema de coleta de lixo em seu país.

## Isenção de responsabilidade

Observe que alguns recursos e capacidades descritos neste documento podem não ser aplicáveis ou licenciados para uso em um sistema específico ou podem ser dependentes das características de uma determinada unidade de rádio móvel ou configuração de determinados parâmetros. Consulte seu contato da Motorola Solutions para obter mais informações.

© 2022 Motorola Solutions, Inc. Todos os direitos reservados

## Marcas de certificação



## Endereço de contato

### Contato da União Europeia

Motorola Solutions,  
Czerwone Maki 82,  
30-392 Cracóvia, Polónia

### Contato do RU

Motorola Solutions UK Ltd.,  
Nova South, 160 Victoria Street,  
Londres, SW1E 5LB,  
Reino Unido

### Контактна інформація

Моторола Солюшинс Системз Польща  
вул. Червоне Маки, 82,  
30-392 Краків,  
Польща

# Fale conosco

O SSC (Solutions Support Center, centro de suporte à solução) é o principal contato para suporte técnico incluído no contrato de serviço da sua organização com a Motorola Solutions.

Os clientes do contrato de serviço devem ligar para o SSC em todas as situações listadas na seção Responsabilidades do cliente em seus contratos, tais como:

- Antes de recarregar o software
- Para confirmar os resultados e as análises da solução de problemas antes de agir

Sua organização recebeu números de telefone de suporte e outras informações de contato apropriadas para sua região geográfica e seu contrato de serviço. Use as informações de contato para obter a resposta mais eficiente. No entanto, se necessário, você também pode encontrar informações gerais de contato de suporte no site da Motorola Solutions seguindo estas etapas:

- 1 Digite [motorolasolutions.com](https://motorolasolutions.com) no navegador.
- 2 Verifique se o país ou a região da organização é exibido na página. Clique ou toque no nome da região para alterá-lo, caso necessário.
- 3 Na página [motorolasolutions.com](https://motorolasolutions.com), selecione "Suporte".

## Comentários

Envie as perguntas e os comentários sobre a documentação do usuário para [documentation@motorolasolutions.com](mailto:documentation@motorolasolutions.com).

Forneça as seguintes informações ao relatar um erro na documentação:

- O título do documento e o número da peça
- O número da página ou o título da seção com o erro
- Uma descrição do erro

A Motorola Solutions oferece diversos cursos projetados para auxiliar na aprendizagem do sistema. Para obter informações, acesse <https://learning.motorolasolutions.com> para exibir as ofertas de cursos atuais e os caminhos de tecnologia.

# Convenções de ícones

O conjunto de documentações foi criado para fornecer ao leitor mais dicas visuais. Os ícones gráficos a seguir são usados em todo o conjunto de documentações.



**PERIGO:**

A palavra de sinalização PERIGO com o ícone de segurança associado indica informações que, se desconsideradas, podem resultar em morte ou ferimentos graves.



**AVISO:**

A palavra de sinalização AVISO com o ícone de segurança associado indica informações que, se desconsideradas, podem resultar em morte, ferimentos graves ou, ainda, danos graves ao produto.



**ATENÇÃO:**

A palavra de sinalização ATENÇÃO com o ícone de segurança associado indica informações que, se desconsideradas, podem causar ferimentos de gravidade menor ou moderada ou danos graves ao produto.

**ATENÇÃO:**

A palavra de sinalização ATENÇÃO poderá ser usada sem o ícone de segurança para indicar possíveis danos ou riscos de ferimento não relacionados ao produto.



**INFORMAÇÕES:**

Declarações IMPORTANTES contêm informações essenciais para a discussão em questão, mas que não são classificadas com o termo ATENÇÃO ou AVISO. Não há nenhum nível de aviso associado a uma declaração classificada como IMPORTANTE.




**OBSERVAÇÃO:**

COMUNICADO contém informações mais importantes que o texto ao redor, como exceções ou pré-condições. Esse ícone também tem a função de indicar ao leitor outros locais para consultar informações adicionais, instruí-lo sobre como concluir uma ação (quando ela não faz parte do procedimento atual, por exemplo) ou informá-lo sobre a localização de algum item na tela. Não há nenhum nível de aviso associado a um comunicado.

# Convenções de estilo

As seguintes convenções de estilo são utilizadas:

Convenção	Descrição
<b>Negrito</b>	Esta família tipográfica é utilizada, por exemplo, em nomes de janelas, botões e etiquetas quando esses nomes aparecem na tela (exemplo: a janela <b>Navegador de alarmes</b> ). Quando é óbvio que estamos nos referindo a, por exemplo, um botão, o nome é utilizado sozinho (exemplo: Clique em <b>OK</b> ).
Monospacing font in bold	Esta família tipográfica é utilizada para que as palavras sejam digitadas exatamente como serão exibidas no texto (por exemplo: no campo <b>Endereço</b> , digite <code>http://ucs01.ucs:9080/</code> ).
Fonte monoespçada	Esta família tipográfica é utilizada para mensagens, comandos e outros textos exibidos na tela do computador (por exemplo: Um novo destino de interceptação foi adicionado).
<i>&lt;Monospacing font in bold Italic&gt;</i>	Esta família tipográfica é utilizada com parênteses angulares que devem ser substituídos por um membro específico do grupo que as palavras representam (exemplo: <i>&lt;router number&gt;</i> ).
	 <b>OBSERVAÇÃO:</b> em sequências que devem ser digitadas, os parênteses angulares são omitidos para evitar confusões quanto a se eles devem ser incluídos ou não no texto que será digitado.
LETRAS MAIÚSCULAS	Esta família tipográfica é utilizada para teclas de teclado (por exemplo: Pressione Y e pressione ENTER).
<i>Itálico</i>	Esta família tipográfica é utilizada em citações. A citação, geralmente, é o nome de um documento ou uma frase de outro documento (exemplo: <i>Visão geral do sistema DIMETRA IP</i> ).
→	Uma → (seta apontando para a direita) é utilizada para indicar o menu ou a estrutura de guia nas instruções sobre como selecionar determinado item do menu (exemplo: <b>Arquivo</b> → <b>Salvar</b> ) ou determinada subguia.



# Índice

<b>Segurança e legislação.....</b>	<b>2</b>
Propriedade intelectual e avisos regulatórios.....	2
Marcas de certificação.....	3
Endereço de contato.....	3
<b>Fale conosco.....</b>	<b>4</b>
<b>Convenções de ícones.....</b>	<b>5</b>
<b>Convenções de estilo.....</b>	<b>6</b>
<b>Guia de exposição à energia de RF e segurança do produto.....</b>	<b>8</b>
<b>Capítulo 1 : Visão geral do produto.....</b>	<b>9</b>
1.1 Transmissão e recepção.....	9
<b>Capítulo 2 : Práticas recomendadas para o RM760.....</b>	<b>11</b>
<b>Capítulo 3 : Encaixar o RSM ao Rádio.....</b>	<b>12</b>
<b>Capítulo 4 : Desencaixe o RSM do rádio.....</b>	<b>13</b>
<b>Capítulo 5 : Posição recomendada de uso.....</b>	<b>14</b>
<b>Capítulo 6 : Controle de cabos.....</b>	<b>15</b>
<b>Capítulo 7 : Acessórios opcionais.....</b>	<b>16</b>
<b>Capítulo 8 : Peças de reposição.....</b>	<b>17</b>
8.1 Substituir o cabo espiral.....	17
8.2 Substituição da tampa contra poeira.....	18
8.3 Substituição do clipe giratório.....	20
8.3.1 Desconectar o clipe giratório.....	20
8.3.2 Acoplamento do clipe giratório.....	21
<b>Capítulo 9 : Serviço e garantia.....</b>	<b>22</b>

# Guia de exposição à energia de RF e segurança do produto

Este documento contém instruções importantes de segurança e operação. Leia estas instruções cuidadosamente e guarde-as para referência futura.

## **ATENÇÃO:**

Antes de usar o rádio, leia este guia que contém instruções operacionais importantes para uso seguro, informações sobre conscientização e controle de exposição à energia de radiofrequência (RF) de conformidade com os padrões e regulamentos aplicáveis.

Quando conectado ao rádio, o RSM fica restrito apenas ao uso profissional para satisfazer os requisitos de exposição à energia de RF da FCC/ICNIRP. Antes de usar este produto, leia as informações sobre energia de RF e as instruções de operação no manual Segurança do Produto e Exposição à RF fornecido com o rádio para garantir a conformidade com os limites de exposição à energia de RF.

## **Segurança acústica**

A exposição a ruídos muito altos de qualquer origem por longos períodos pode prejudicar sua audição temporária ou permanentemente. Quanto mais alto for o volume do rádio, em menos tempo sua audição poderá ser prejudicada.

Às vezes, os danos auditivos causados por ruídos fortes não são detectados em sua fase inicial e podem ter efeito cumulativo.

Siga as seguintes diretrizes para proteger sua audição:

- Use o volume mais baixo necessário para a execução da sua tarefa.
- Aumente o volume somente se estiver em ambientes barulhentos.
- Reduza o volume antes de conectar o headset ou o fone de ouvido.
- Limite o tempo de uso dos headsets ou fones de ouvido com volume alto.
- Ao usar o rádio sem o headset ou fones de ouvido, não coloque o alto-falante do rádio diretamente em contato com o ouvido.
- Se você sentir algum desconforto auditivo, zumbidos ou sons abafados, pare de ouvir o seu rádio através do headset ou do fone de ouvido e consulte um médico. Para alterar o nível de volume, consulte o *Folheto de segurança do produto de rádio* ou o *CPS* para Configurações do kit de vigilância mais alto (xL).

## Capítulo 1

# Visão geral do produto

Este manual do usuário descreve o microfone com alto-falante remoto Windporting IMPRES PMMN4140 RM760 grande básico (IP68).

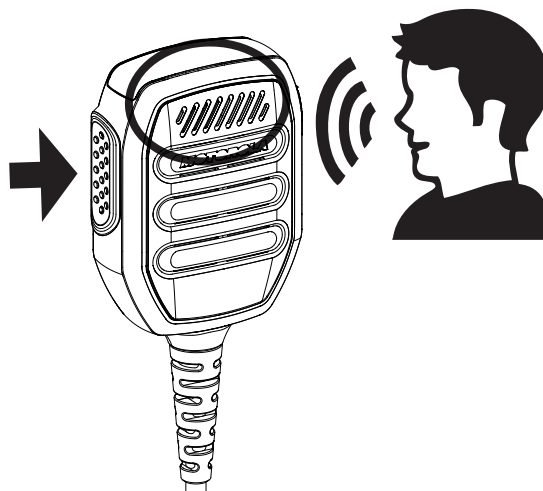


Número	Descrição
1	Botão Push-To-Talk
2	Entrada de áudio somente de recepção de 3,5 mm (não rosqueada) coberta por tampa contra poeira

### 1.1

## Transmissão e recepção

Figura 1 : Transmissão

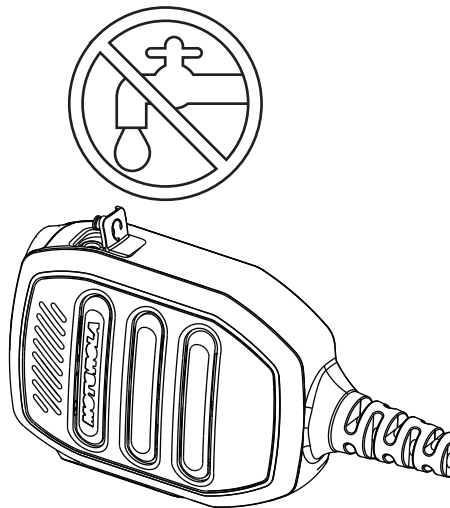


**Figura 2 : Recepção**



## Capítulo 2

# Práticas recomendadas para o RM760



- Cubra a entrada de áudio com tampa de proteção quando ela não estiver conectada ao fone de ouvido. Não coloque água na entrada de áudio.
- Caso entre água na entrada de áudio, remova-a chacoalhando o RSM.

## Capítulo 3

# Encaixar o RSM ao Rádio

### Procedimento:

- 1 Encaixe o conector RSM no conector lateral do rádio.
- 2 Prenda o parafuso de conexão no sentido horário até apertá-lo.



#### **OBSERVAÇÃO:**

Para garantir uma operação adequada, desligue o rádio antes de conectar o RSM ao rádio. Conectar o RSM ao rádio desativa o alto-falante do rádio, mas não desativa o microfone e o PTT do rádio.

## Capítulo 4

# Desencaixe o RSM do rádio

### Procedimento:

- 1 Desparafuse e desencaixe o conector RSM do rádio do conector lateral.
- 2 Mantenha a tampa de proteção inserida na entrada de áudio do RSM quando um acessório secundário não estiver sendo usado.

## Capítulo 5

# Posição recomendada de uso

Figura 3 : Posição de uso do RM760



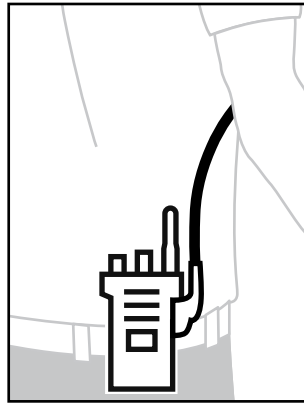


## Capítulo 6

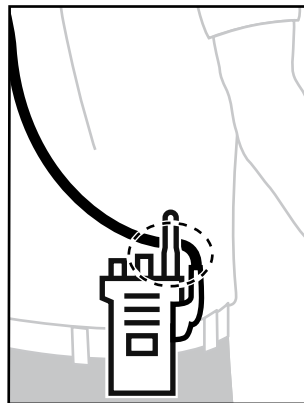
# Controle de cabos

Esta seção descreve a posição recomendada do cabo.

**Figura 4 : Recomendado**



**Figura 5 : Não recomendado**



Para garantir o alcance ideal e a experiência do usuário, é recomendável evitar cruzar o cabo acessório com a antena do rádio.

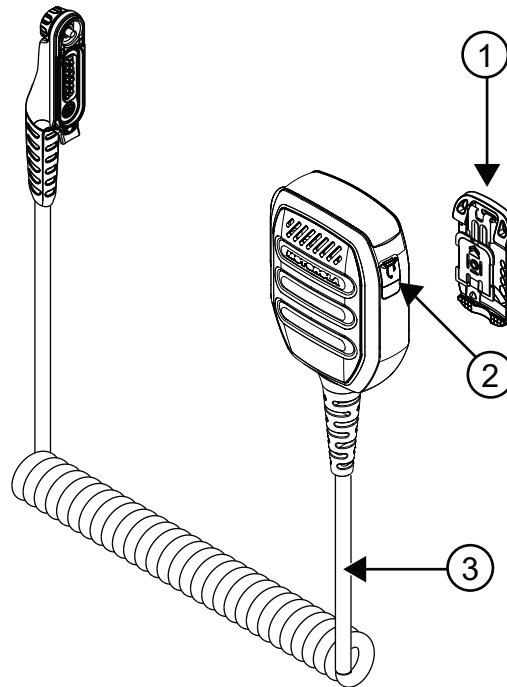
## Capítulo 7

# Acessórios opcionais

Não	Descrições
PMLN8120	Fone de ouvido extra-alto com tubo acústico, somente recepção, entrada de 3,5 mm

## Capítulo 8

# Peças de reposição



Acima 1 : Chamadas de peças de reposição

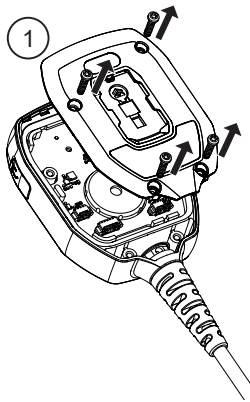
Não	Descrições
1	Clipe giratório de baixo perfil (PMLN8121)
2	Tampa de Proteção 10pcs/pacote (PMLN8122)
3	Cabo espiral (PMKN4232)

### 8.1

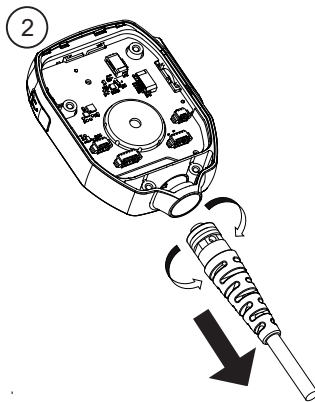
## Substituir o cabo espiral

### Procedimento:

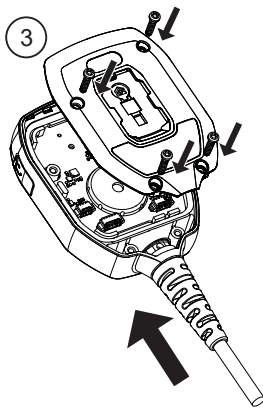
- 1 Remova os parafusos para desmontar o RSM.



2 Remova o cabo.



3 Remonte o RSM.

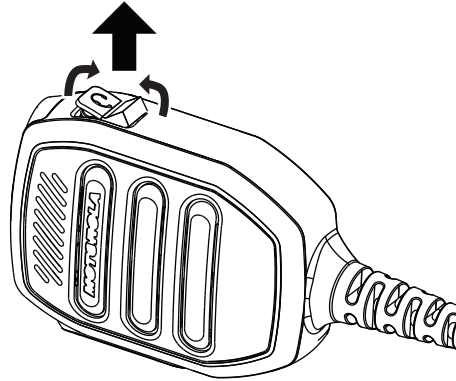


## 8.2

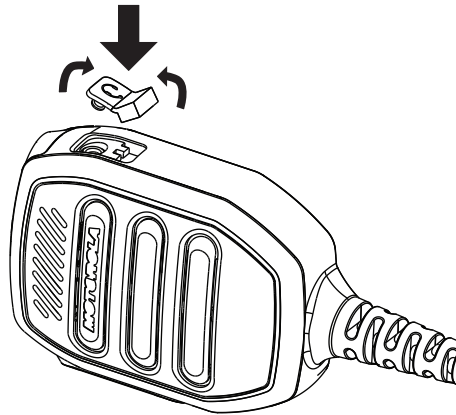
### Substituição da tampa contra poeira

#### Procedimento:

- 1 Levante ambos os lados da tampa contra poeira.
- 2 Retire a tampa contra poeira para desmontá-la.



- 3 Dobre a tampa contra poeira.
- 4 Insira a nova tampa no slot.



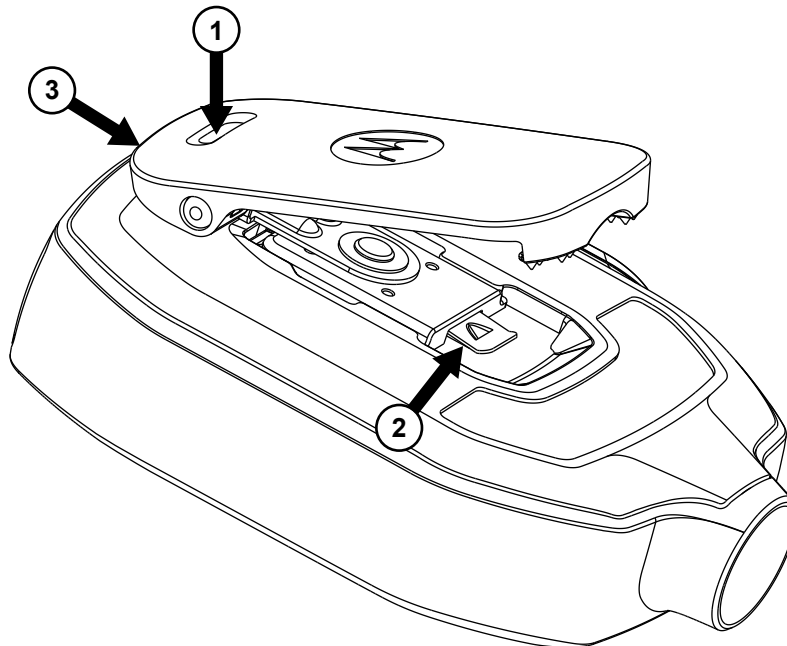
### 8.3

## Substituição do clipe giratório

### 8.3.1

## Desconectar o clipe giratório

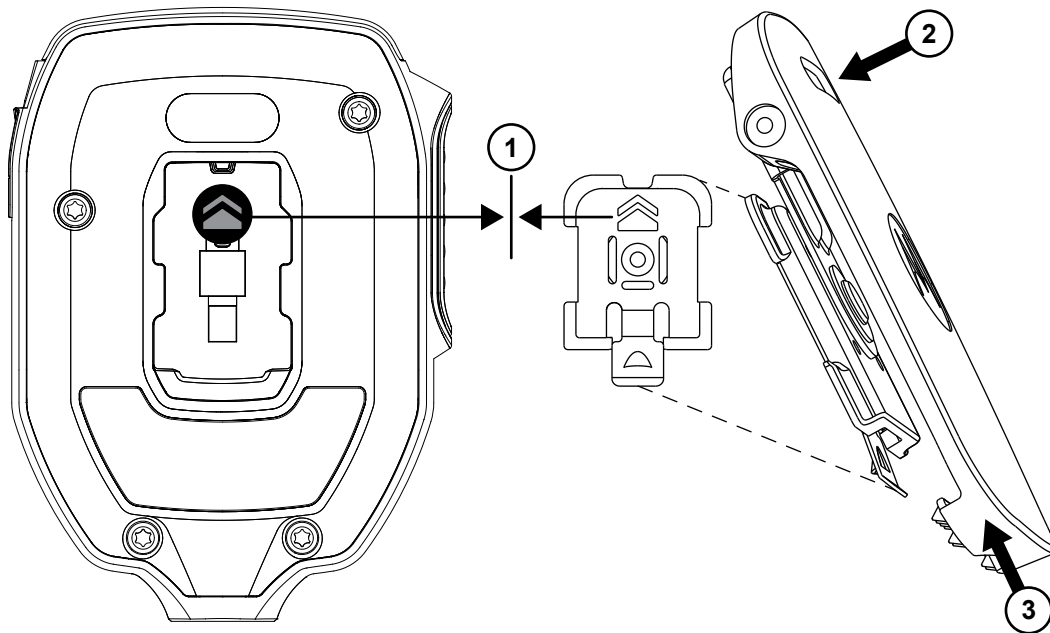
**Procedimento:**



- 1 Empurre a parte superior do clipe para levantá-lo até a posição mais alta.
- 2 Levante a trava de liberação inferior.
- 3 Deslize o clipe para removê-lo.

### 8.3.2

## Acoplamento do clipe giratório



#### Procedimento:

- 1 Combine e alinhe os ícones de seta e as asas laterais.
- 2 Empurre a parte superior do clipe para baixo.
- 3 Simultaneamente, empurre o clipe lateral para cima.

## Capítulo 9

# Serviço e garantia

Além do conjunto do cabo substituível, a tampa de poeira e do clipe, o microfone com alto-falante remoto PMMN4140 não pode ser reparado.

A Motorola Solutions oferece garantia para seu acessório. Consulte seu revendedor ou um ponto de venda da Motorola Solutions para obter informações detalhadas.



**OBSERVAÇÃO:**

Caso o cliente substitua qualquer peça por alguma que não conste na lista de peças de substituição, a garantia será invalidada.





# **PMMN4140 RM760**

## **IMPRES Windporting 远程 扬声器麦克风，大号 (IP68)**

### **用户指南**

**4 月 2022 年**

© 2022 Motorola Solutions, Inc. All rights reserved



**MN008152A01-AB**

# 安全和法律

本节提供本产品的安全和法律信息。

## 知识产权和监管声明

### 版权

本文档中介绍的 Motorola Solutions 产品可能包含受版权保护的 Motorola Solutions 计算机程序。美国和其他国家/地区的法律为 Motorola Solutions 保留受版权保护的计算机程序的某些专有权利。因此，在未经 Motorola Solutions 明确书面许可的情况下，不得以任何方式对本文档中介绍的 Motorola Solutions 产品所包含的任何受版权保护的 Motorola Solutions 计算机程序进行拷贝或复制。

在未经 Motorola Solutions, Inc. 事先书面许可的情况下，不得以任何形式或通过任何方式来复制、传播、在检索系统中存储本文档的任何部分，或将其翻译为任何语言或计算机语言。

### 商标

MOTOROLA、MOTO、MOTOROLA SOLUTIONS 和标志性的 M 徽标是 Motorola Trademark Holdings, LLC 的商标或注册商标，必须获得授权方可使用。所有其他商标均为其各自所有者的财产。

### 许可权利

购买 Motorola Solutions 的产品不应视为直接或通过暗示、禁止反言或其他方式授予 Motorola Solutions 的版权、专利或专利申请的任何许可，但产品销售过程中因法律实施所引起的普通非专有免版税许可除外。

### 开源内容

本产品可能包含经许可使用的开源软件。请参阅产品安装介质，了解完整的“开源法律声明和归属”内容。

## 欧盟 (EU) 和英国 (UK) 废弃电子电气设备 (WEEE) 指令



欧盟的 WEEE 指令和英国的 WEEE 法规要求销售到欧盟国家/地区和英国的产品必须在产品上（有时是在包装上）张贴带交叉号的垃圾箱标签。根据 WEEE 指令的定义，此带叉号的带轮垃圾箱标签表示欧盟国家/地区和英国的客户和最终用户不得将此电子电气设备或附件作为生活垃圾处置。

欧盟国家/地区和英国的客户或最终用户应联系当地的设备供应商代表或服务中心，以了解有关所在国家/地区废物收集系统的相关信息。

### 免责声明

请注意，此文档中介绍的某些特性、设备和功能可能不适用于或未授权给特定系统使用，或者取决于特定移动订阅用户设备的特性或特定参数的配置。请联系 Motorola Solutions 联系人获取详细信息。

© 2022 Motorola Solutions, Inc. 保留所有权利

## 认证标记



## 联系地址

### 欧盟联系信息

Motorola Solutions,  
Czerwone Maki 82,  
30-392 Krakow, Poland

### 英国联系信息

Motorola Solutions UK Ltd.,  
Nova South, 160 Victoria Street,  
London, SW1E 5LB,  
United Kingdom

### Контактна інформація

Моторола Солюшинс Системз Польща  
вул.Червоне Маки, 82,  
30-392 Краків,  
Польща

# 联系我们

对于贵组织与 Motorola Solutions 签订的服务协议中包含的技术支持，解决方案支持中心 (SSC) 是您的主要联系方。

服务协议客户应确保在协议的“客户责任”部分中列出的所有情况下致电 SSC，例如：

- 重新加载软件之前
- 在采取措施之前确认故障排除结果和分析

贵组织已收到适用于您所在地理区域和服务协议的支持电话号码和其他联系信息。使用该等联系信息可获得最高效的响应。但是在需要时，您也可以通过执行以下步骤在 Motorola Solutions 网站上查找常规支持联系信息：

- 1 在浏览器中输入 [motorolasolutions.com](https://motorolasolutions.com)。
- 2 确保页面上显示有贵组织所在的国家/地区。单击或轻触地区的名称即可对其进行更改。
- 3 选择 [motorolasolutions.com](https://motorolasolutions.com) 页面上的“支持”。

## 备注

请将有关用户文档的问题和意见发送到 [documentation@motorolasolutions.com](mailto:documentation@motorolasolutions.com)。

报告文档错误时请提供以下信息：

- 文档标题和部件号
- 出错章节的页码或标题
- 错误描述

Motorola Solutions 提供各种旨在帮助学习系统相关内容的课程。要获取相关信息，请转至 <https://learning.motorolasolutions.com>，查看当前课程产品和技术路径。

# 图标约定

本文档系列旨在为读者提供更多的直观提示。整个系列的文档统一使用了以下图标。



**危险:** 提示词“危险”及关联的安全图标表示，如果不注意其中的信息，则可能导致死亡或严重的人身伤害。



**警告:** 提示词“警告”及关联的安全图标表示，如果不注意其中的信息，则可能导致死亡或严重的人身伤害，也可能造成严重的产品损坏。



**小心:** 提示词“小心”及关联的安全图标表示，如果不注意其中的信息，则可能导致轻微或中等程度的人身伤害，也可能造成严重的产品损坏。

**小心:** 提示词“小心”也可能单独出现，而没有关联的安全图标，这表示可能发生与本产品无关的产品损坏或人身伤害。




**重要说明:** “重要”说明所包含的信息对于当前主题非常重要，但它不是“小心”或“警告”级的信息。“重要”说明没有相应的警告级别。



**注释:** “注意”含有比周围文字更重要的信息，如例外情况或注意事项。有时还会为读者提供一些其他位置的补充参考信息，提醒读者如何完成操作（例如，当操作不属于当前过程的一部分时），或者告诉读者某些项目在屏幕中的位置。“注意”没有相应的警告级别。

# 样式约定

使用下列样式约定：

约定	说明
<b>粗体</b>	此类字体用于表示在屏幕上显示的窗口、按钮和标签等的名称（例如： <b>警报浏览器</b> 窗口）。当所指的名称非常明确时，例如某一按钮的名称，则可单独使用该名称（例如：单击 <b>确定</b> ）。
Monospacing font in bold	此类字体用于表示要按文本中所示样式一模一样输入的字词（例如：在 <b>地址</b> 字段中，键入 <code>http://ucs01.ucs:9080/</code> ）。
等宽字体	此类字体用于表示在计算机屏幕上显示的消息、提示及其他文本（例如：添加了新的陷阱目标）。
<i>&lt;Monospacing font in bold Italic&gt;</i>	此类字体与尖括号搭配使用，用作字词所表示的特定组成员的占位符（例如： <i>&lt;router number&gt;</i> ）。  <b>注释：</b> 在要键入的序列中去掉尖括号，以避免用户疑惑是否要在键入的文本中包括尖括号。
大写字母	此类字体用于表示键盘上的按键（例如：按 Y，然后按 ENTER）。
斜体	此类字体用于表示引用。引用内容通常是文档的名称或另一个文档中的短语（例如： <i>Dimetra IP 系统概述</i> ）。
→	在如何选择特定菜单项的说明中，使用 →（向右箭头）来指示菜单或选项卡结构（例如： <b>文件</b> → <b>保存</b> ）或某个子选项卡。

# 目录

<b>安全和法律</b> .....	<b>2</b>
知识产权和监管声明.....	2
认证标记.....	2
联系地址.....	3
<b>联系我们</b> .....	<b>4</b>
<b>图标约定</b> .....	<b>5</b>
<b>样式约定</b> .....	<b>6</b>
<b>射频能量辐射和-product安全指南</b> .....	<b>8</b>
<b>章节 1：产品概述</b> .....	<b>9</b>
1.1 传输和接收.....	9
<b>章节 2：针对 RM760 的建议做法</b> .....	<b>11</b>
<b>章节 3：将 RSM 连接到对讲机</b> .....	<b>12</b>
<b>章节 4：从对讲机上拆离 RSM</b> .....	<b>13</b>
<b>章节 5：推荐的佩戴位置</b> .....	<b>14</b>
<b>章节 6：电缆管理</b> .....	<b>15</b>
<b>章节 7：可选附件</b> .....	<b>16</b>
<b>章节 8：可更换部件</b> .....	<b>17</b>
8.1 更换螺旋线.....	17
8.2 更换防尘盖.....	18
8.3 更换旋转皮带夹.....	20
8.3.1 拆离旋转皮带夹.....	20
8.3.2 连接旋转皮带夹.....	21
<b>章节 9：服务和保修</b> .....	<b>22</b>

# 射频能量辐射和产品安全指南

本文档包含重要的安全和操作说明。请仔细阅读这些说明，并妥善保管以备后用。

## 小心:

在使用此附件之前，请阅读本指南，其中包括重要的安全操作说明以及射频能量意识和控制，以确保符合适用的标准和法规。

将远程扬声器麦克风 (RSM) 连接到对讲机时，仅限于能够满足 FCC/ICNIRP 射频能量辐射要求的职业应用。在使用本产品之前，请仔细阅读对讲机随附的“产品安全和射频能量辐射”手册中有关的射频能量意识信息和安全操作说明，以确保符合射频能量辐射限制标准。

## 声音安全

长时间接触任何来源的响亮噪音可能会暂时或永久影响您的听力。对讲机音量越大，对听力的影响产生越快。

响亮噪音对听力的损害有时在初期无法检测，并会有累积效果。

为了保护您的听力，请遵循以下指导原则：

- 使用完成工作所需的最低音量。
- 仅在嘈杂环境下才调高音量。
- 先调低音量，然后再连接耳机或听筒。
- 限制在高音量下使用耳机或听筒的时间。
- 使用不带耳机或听筒的对讲机时，请勿将对讲机的扬声器直接对着耳朵。
- 如果您出现耳朵不适、发生耳鸣或说话口齿不清等症状，则应停止通过耳机或听筒听取对讲机的声音，并请医生检查您的听力。如需更改音量级别，请参阅*对讲机产品安全手册*或 *CPS* 以了解超大音量 (xL) 监听套件配置。



## 章节 1

# 产品概述

本用户手册介绍 RM760 IMPRES Windporting 远程扬声器麦克风，大号基本版 (IP68)，PMMN4140 的信息。



编号	说明
1	通话按键按钮
2	仅接受 3.5 毫米音频插孔 (不带螺纹)，可用防尘罩盖住

### 1.1 传输和接收

图 1：传输

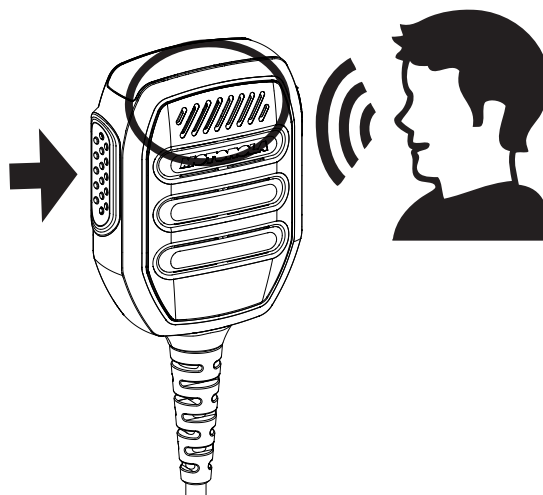
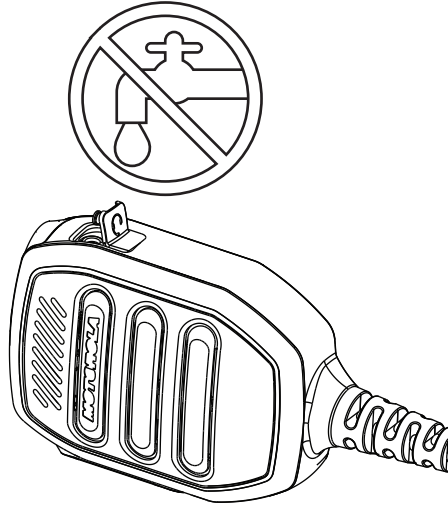


图 2：接收



## 章节 2

# 针对 RM760 的建议做法



- 未插入耳机时，请用防尘罩盖住音频插孔。切勿使音频插孔进水。
- 如果有水进入音频插孔，请通过甩动 RSM 除水。

## 章节 3

# 将 RSM 连接到对讲机

### 步骤：

- 1 将 RSM 接口与对讲机的侧面接口相连接。
- 2 沿顺时针方向拧紧连接螺钉。



**注释：**为确保正常运行，请先关闭对讲机，然后再将 RSM 连接到对讲机。将 RSM 连接到对讲机会禁用对讲机的扬声器，但不会禁用其麦克风和 PTT。

## 章节 4

# 从对讲机上拆离 RSM

### 步骤：

- 1 从对讲机的侧面接口上松开螺丝并拆离 RSM 接口。
- 2 未使用辅助附件时，请将防尘罩插入 RSM 的音频插孔。

## 章节 5

# 推荐的佩戴位置

图 3：RM760 佩戴位置



## 章节 6

# 电缆管理

本节介绍推荐的电缆位置。

图 4：推荐

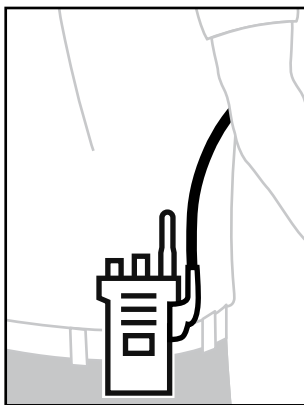
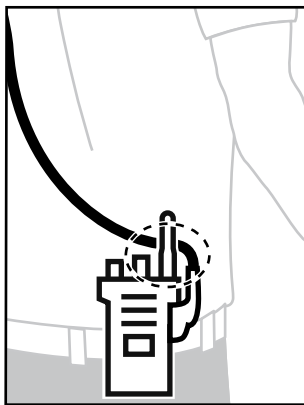


图 5：不推荐



为了确保最佳范围和用户体验，建议避免产生附件电缆与无线电天线交叉。

## 章节 7

# 可选附件

编号	说明
PMLN8120	仅 Rx xL 透明传声管耳机，3.5 毫米耳机插孔



## 章节 8

# 可更换部件

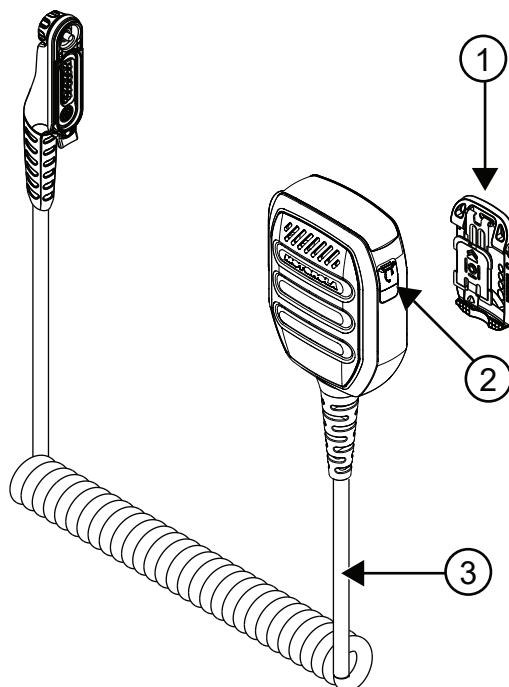


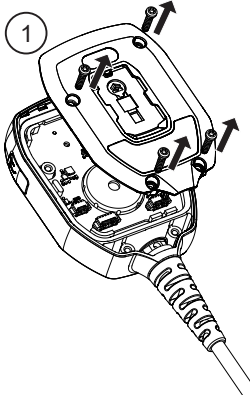
表 1：更换部件标注

编号	说明
1	扁平旋转皮带夹 (PMLN8121)
2	防尘罩 10 件/包 (PMLN8122)
3	螺旋线 (PMKN4232)

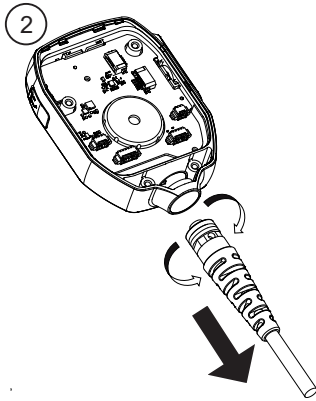
### 8.1 更换螺旋线

#### 步骤：

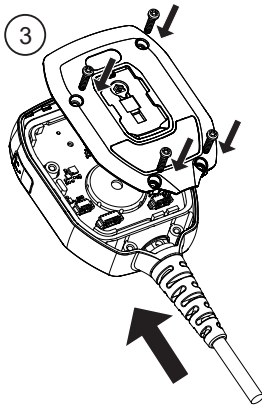
- 1 卸下螺钉以拆卸 RSM。



2 拔下电缆。



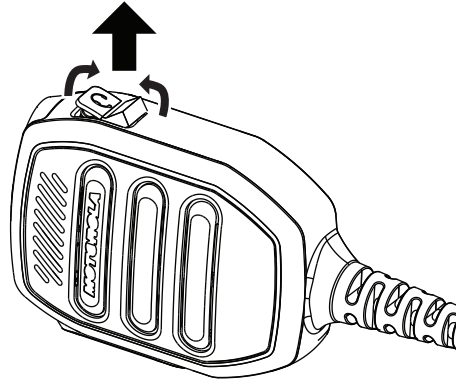
3 重新组装 RSM。



## 8.2 更换防尘盖

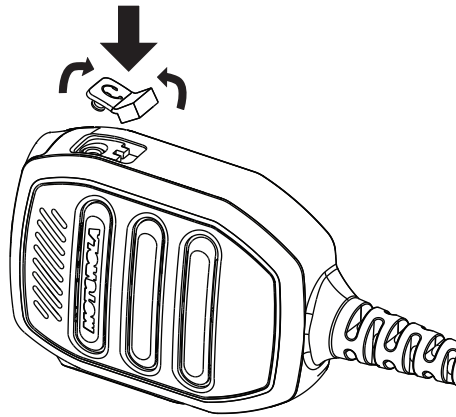
步骤：

- 1 提起防尘盖的两侧。
- 2 拉出防尘盖以将其拆下。



3 弯曲防尘盖。

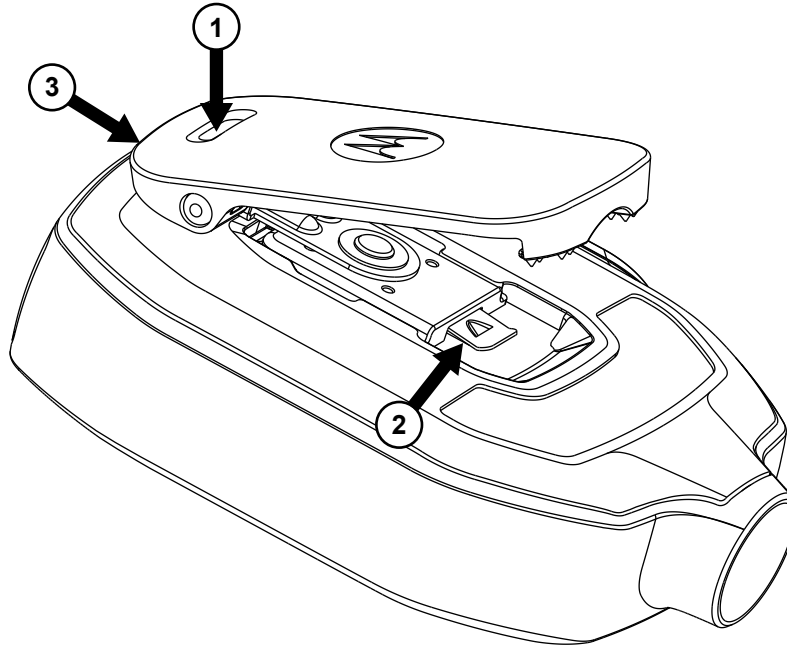
4 插入防尘盖插槽。



### 8.3 更换旋转皮带夹

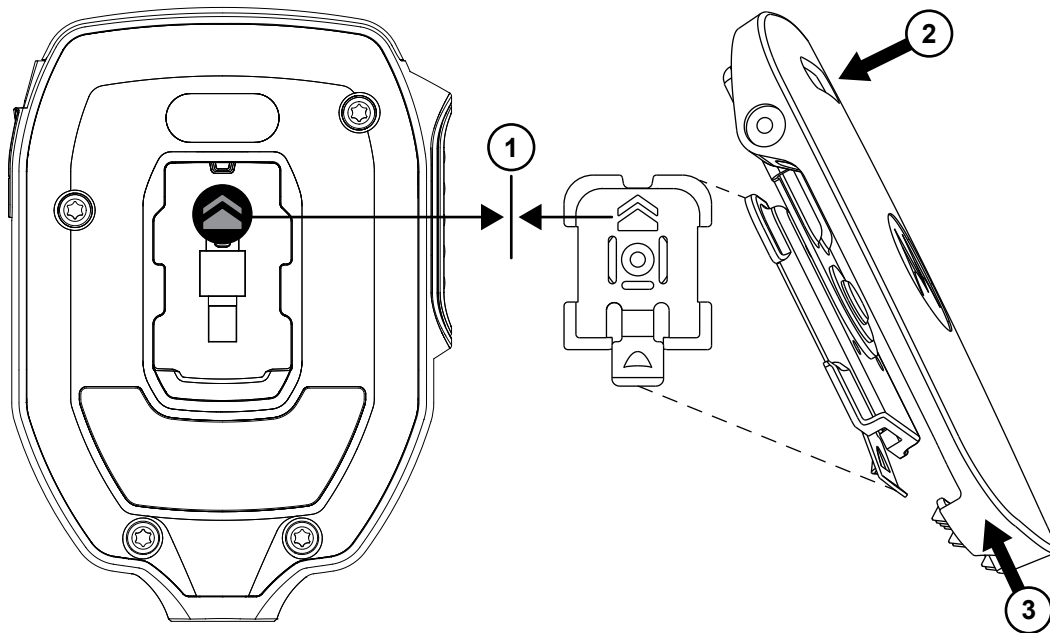
#### 8.3.1 拆离旋转皮带夹

步骤：



- 1 推动皮带夹顶部，将其提升至最高位置。
- 2 提起底部释放门锁。
- 3 滑动皮带夹以将其拆卸。

### 8.3.2 连接旋转皮带夹



**步骤：**

- 1 匹配并对齐箭头图标和侧翼。
- 2 将皮带夹的顶部向下推动。
- 3 同时将滑动皮带夹向上推动。

## 章节 9

# 服务和保修

除可更换的线缆组件、防尘罩和皮带夹外，PMMN4140 远程扬声器麦克风不可维修。

Motorola Solutions 为您的附件提供保修。有关详细信息，请咨询您的 Motorola Solutions 经销商或购买点。



**注释:** 如果客户更换了不在可更换部件清单之列的任何部件，保修将会失效。



# PMMN4140 RM760

## IMPRES Windporting 遙控 揚聲器麥克風 ( 大型 ) (IP68) 使用者指南

4 月 2022 年

© 2022 Motorola Solutions, Inc. All rights reserved



MN008152A01-AB

# 安全及法律

本節提供本產品的安全及法律資訊。

## 知識產權和監管聲明

### 版權

本文件所載的 Motorola Solutions 產品可能包括受版權保護的 Motorola Solutions 電腦程式。美國和其他國家/地區的法律為 Motorola Solutions 保留受版權保護的電腦程式之特定專有權。因此，未經 Motorola Solutions 明確書面許可，不得以任何形式複製或重製本文件所載的 Motorola Solutions 產品中包含的任何受版權保護之 Motorola Solutions 電腦程式。

未經 Motorola Solutions, Inc. 事先書面許可，不得以任何形式或手段將本文件的任何部分複製、傳輸、儲存在檢索系統中或翻譯成任何語言或電腦語言。

### 商標

MOTOROLA、MOTO、MOTOROLA SOLUTIONS 和 M 標誌設計為 Motorola Trademark Holdings, LLC 之商標或註冊商標，且已獲授權使用。所有其他商標均為其各自所有者的財產。

### 許可權

購買 Motorola Solutions 產品不應視為以明示或暗示、禁止反言或其他方式授予 Motorola Solutions 版權、專利或專利申請下的任何授權，產品銷售過程中因法律的施行而引致的正常非專有免版稅授權除外。

### 開源內容

本產品可能包含開源軟件，且已獲授權使用。請參閱產品安裝媒體，以查看完整的開源法律聲明和所有權內容。

## 歐盟 (EU) 及英國 (UK) 廢棄電器及電子設備 (WEEE) 指令



■ 歐盟的 WEEE 指令及英國的 WEEE 規例要求銷售到歐盟國家和英國的產品，必須在產品（或某些情況下的包裝）上包括劃掉垃圾桶的標籤。正如 WEEE 指令列明，劃掉垃圾桶的標籤代表歐盟國家和英國的客戶和最終使用者，不應將電子和電器設備或配件當作家居垃圾棄置。

歐盟國家和英國的客戶或最終使用者應該聯絡當地的設備供應商代表或服務中心，了解有關他們國家的廢物收集系統資訊。

### 免責聲明

請注意，本文件所載的某些特色、特性和功能可能不適用於特定的系統或未經授權在特定系統上使用，抑或取決於特定流動訂閱者部件的特性或特定參數的配置。請向您的 Motorola Solutions 聯絡人查詢，以獲取更多資訊。

© 2022 Motorola Solutions, Inc. 保留所有權利



## 認證標誌



## 聯絡地址

### 歐盟聯絡資訊：

Motorola Solutions,  
Czerwone Maki 82,  
30-392 Krakow, Poland

### 英國聯絡資訊：

Motorola Solutions UK Ltd.,  
Nova South, 160 Victoria Street,  
London, SW1E 5LB,  
United Kingdom

### Контактна інформація

Моторола Солюшинс Системз Польша  
вул.Червоне Маки, 82,  
30-392 Краків,  
Польша

# 聯絡我們

解決方案支援中心 (SSC) 是您尋求協助的主要聯絡對象，以獲取您的機構與 Motorola Solutions 服務協議內所涵蓋的技術支援。

如服務協議客戶遇上協議內「客戶責任」中列明的一切情況，都應致電 SSC，例如：

- 重新載入軟件前
- 在採取行動前確認疑難排解結果和分析

您的機構會收到適用於您所在地區和服務協議的支援電話號碼和其他聯絡資訊。使用這些聯絡資訊，以獲最快捷有效的回覆。但如有需要，您亦可按照以下步驟，在 Motorola Solutions 的網站上搜尋一般聯絡資訊：

- 1 在您的瀏覽器中輸入 [motorolasolutions.com](https://motorolasolutions.com)。
- 2 確保網頁正顯示您機構所在的國家或地區。點擊或點按地區名稱，即可變更。
- 3 在 [motorolasolutions.com](https://motorolasolutions.com) 網頁內選擇「支援」。

## 意見

發送有關使用者文件的問題和意見至 [documentation@motorolasolutions.com](mailto:documentation@motorolasolutions.com)。

報告文件錯誤時請提供以下資料：

- 文件標題和零件編號
- 出現錯誤的頁碼或部分標題
- 有關錯誤的描述

Motorola Solutions 提供不同課程，專為協助您了解系統而設計。要了解詳情，請前往 <https://learning.motorolasolutions.com> 以查看現時提供的課程和科技學習途徑。

## 圖示慣例

文件旨在為讀者提供更易懂的視覺提示。整份說明文件都會使用以下圖示。



**危險：**「危險」標語加上安全圖示表示，如使用者沒有理會有關指示，可能會導致死亡或嚴重受傷。



**警告：**「警告」標語加上安全圖示表示，如使用者沒有理會有關指示，可能會導致死亡或嚴重受傷，或對產品造成嚴重損害。



**注意：**「小心」標語加上安全圖示表示，如使用者沒有理會有關指示，可能會導致輕度或中度受傷，或對產品造成嚴重損害。

**注意：**「小心」標語可能會單獨使用，並不會加上安全圖示，表示可能會出現與產品無關的損害或受傷風險。




**重要事項：**「重要」包含當前須討論的重要資訊，但並非要「小心」或「警告」的資訊。「重要」並無相關的警告等級。



**備註：**「注意」則包含比周圍文字更重要的資訊，例如例外情況或先決條件等；並會告知讀者其他相關資訊的位置、提醒讀者如何完成動作（例如該動作並非目前程序的一部分），或告知讀者某項資訊在畫面上的位置。「注意」並無相關的警告等級。

# 樣式慣例

本指南採用了以下的樣式慣例：

樣式	描述
<b>粗體字</b>	此字型用於表示螢幕上所出現的視窗、按鈕及標籤等項目的名稱（例如： <b>警報瀏覽器</b> 視窗）。舉例來說，如果所指項目明顯是個按鈕，則會單獨使用該名稱（例如：點擊 <b>確定</b> ）。
Monospacing font in bold	此字型用於表示需要依照所示輸入的文字（例如：在 <b>地址</b> 欄位中輸入 <code>http://ucs01.ucs:9080/</code> ）。
等距字型	此字型用於表示電腦螢幕上顯示的訊息、提示及其他文字（例如：已新增新的陷阱目的地）。
<i>&lt;Monospacing font in bold Italic&gt;</i>	此字型會與角括弧一同使用，以表示該文字所代表之特定群組成員的佔位符（例如： <i>&lt;router number&gt;</i> ）。  <b>備註：</b> 如果要輸入字串，則會省略角括弧以避免混淆而無法確定是否要連同角括弧一併輸入。
大寫字母	此字型用於表示鍵盤按鍵（例如：按下 Y，然後按 ENTER）。
斜體字	此字型用於表示引用。引用的文字通常是指文件的名稱或其他文件的語句（例如： <i>Dimetra IP 系統概覽</i> ）。
→	→（向右箭頭）在如何選取特定功能表項目的指示中用於表示功能表或標籤結構（例如： <b>檔案</b> → <b>儲存</b> ）或特定的子標籤。

# 目錄

<b>安全及法律</b> .....	<b>2</b>
知識產權和監管聲明.....	2
認證標誌.....	3
聯絡地址.....	3
<b>聯絡我們</b> .....	<b>4</b>
<b>圖示慣例</b> .....	<b>5</b>
<b>樣式慣例</b> .....	<b>6</b>
<b>《射頻能量接觸量和產品安全指引》</b> .....	<b>8</b>
<b>第 1 章：產品概覽</b> .....	<b>9</b>
1.1 傳送及接收.....	9
<b>第 2 章：RM760 的使用建議</b> .....	<b>11</b>
<b>第 3 章：將 RSM 連接到無線電</b> .....	<b>12</b>
<b>第 4 章：從無線電拆除 RSM</b> .....	<b>13</b>
<b>第 5 章：建議的配戴位置</b> .....	<b>14</b>
<b>第 6 章：纜線管理</b> .....	<b>15</b>
<b>第 7 章：可選配件</b> .....	<b>16</b>
<b>第 8 章：替換零件</b> .....	<b>17</b>
8.1 更換線圈線.....	17
8.2 更換防塵蓋.....	18
8.3 更換旋轉扣夾.....	20
8.3.1 拆除旋轉扣夾.....	20
8.3.2 安裝旋轉扣夾.....	21
<b>第 9 章：維修及保養</b> .....	<b>22</b>

# 《射頻能量接觸量和產品安全指引》

本文件包含重要的安全及操作指引。請仔細閱讀這些指引並妥善保存文件，以供日後參考。

## 注意：

使用此配件前請先閱讀本指引，當中包含有關安全使用、射頻能量意識和控制的重要操作說明，以便您遵從適用的標準和規例。

連接無線電的遙控揚聲器麥克風 (RSM)，僅限於職業用途，以符合 FCC/ICNIRP 射頻能量接觸量的要求。使用此產品前，請先閱讀無線電隨附的《產品安全及射頻能量手冊》中的射頻能量意識資訊及操作說明，以確保符合射頻接觸量限制。

## 聽覺安全

長時間聆聽任何來源的高音量聲響，可能會暫時或永久影響聽力。無線電的音量越大，聽力便會越早受到損害。

您起初可能察覺不到高音量聲響會引起聽力受損，但其影響會日積月累。

為保護聽覺，請遵守下列指引：

- 工作時盡可能使用最低音量。
- 只在嘈雜的環境中才將音量提高。
- 佩戴耳機或耳塞前，先將音量調低。
- 使用耳機或耳塞時，限制聆聽高音量的時間。
- 在沒有佩戴耳機或耳塞的情況下，請勿將無線電揚聲器直接放在耳邊。
- 如果您感到聽覺不適、耳鳴或對話聲模糊不清，則應停止使用耳機或耳塞收聽無線電，並請醫生檢查您的聽力。要變更音量，請參閱*無線電產品安全資訊插頁*或用於監控超大音量 (xL) 套件組態的 *CPS*。

## 第 1 章

# 產品概覽

此使用者手冊介紹 RM760 IMPRES Windporting 遙控揚聲器麥克風 (大型基本) (IP68) , PMMN4140。



編號	描述
1	一按通話按鈕
2	僅具接收功能的 3.5 mm 音訊插孔 (無螺紋) , 附有防塵蓋

### 1.1 傳送及接收

圖 1 : 傳送中

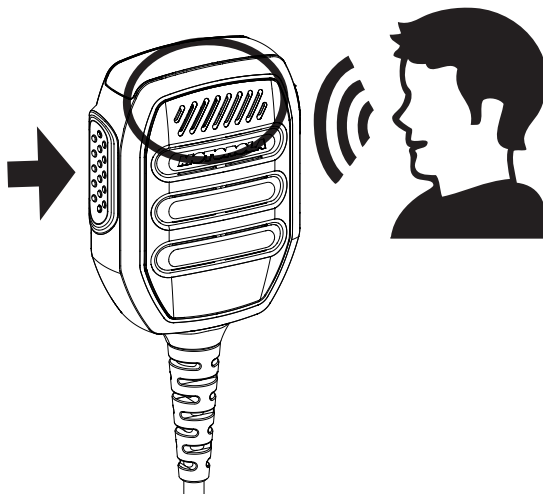


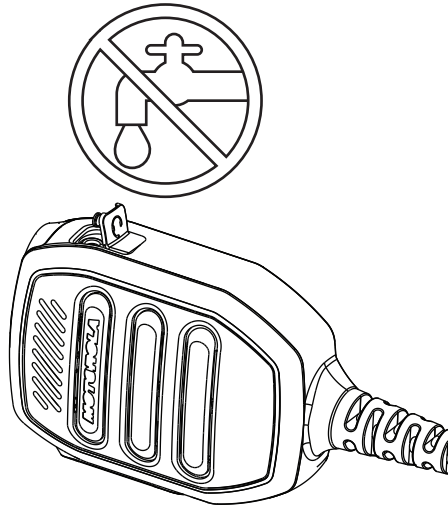
圖 2：接收中





## 第 2 章

# RM760 的使用建議



- 沒有插入耳機時，請使用防塵蓋遮蓋音訊插孔。請勿讓音訊插孔入水。
- 如音訊插孔入水，請搖晃 RSM 以清除水分。

## 第 3 章

# 將 RSM 連接到無線電

### 程序：

- 1 將 RSM 連接器連接到無線電的側面連接器。
- 2 以順時針方向固定連接螺絲，直至扭緊。



**備註：**為確保正常運作，請先關閉無線電才將 RSM 與無線電連接。將 RSM 與無線電連線時會停用無線電揚聲器，但不會停用無線電的麥克風和 PTT。

## 第 4 章

# 從無線電拆除 RSM

### 程序：

- 1 從無線電側面的連接器扭開螺絲並拆下 RSM 連接器。
- 2 不使用輔助配件時，請確保 RSM 音訊插孔蓋上防塵蓋。

## 第 5 章

# 建議的配戴位置

圖 3：RM760 配戴位置



## 第 6 章

# 纜線管理

本節說明建議的纜線位置。

圖 4：建議

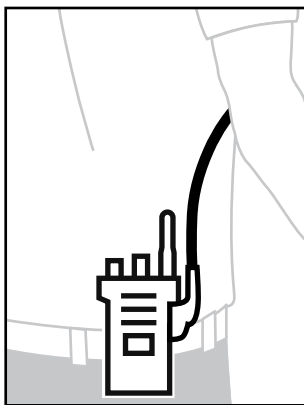
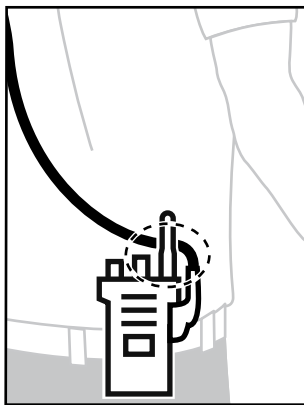


圖 5：不建議



為確保達致最佳的覆蓋範圍和使用者體驗，我們建議避免將配件纜線與無線電天線交疊。

## 第 7 章

# 可選配件

編號	描述
PMLN8120	xL 透明傳聲管耳機 ( 僅限 Rx ) , 3.5 毫米插孔

## 第 8 章

# 替換零件

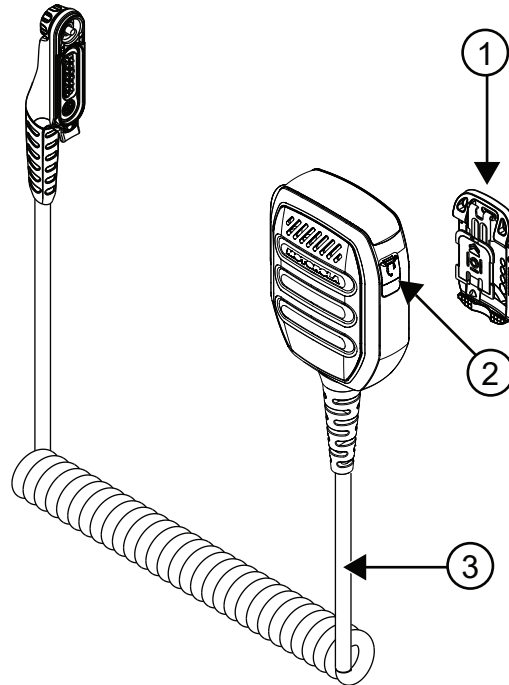


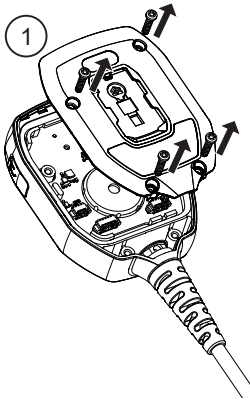
表 1：替換零件標註

編號	描述
1	隱蔽式旋轉扣夾 (PMLN8121)
2	防塵蓋 (每包 10 個) (PMLN8122)
3	線圈線 (PMKN4232)

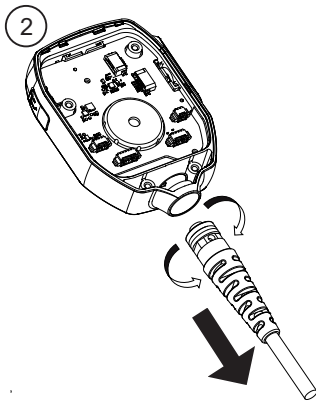
### 8.1 更換線圈線

程序：

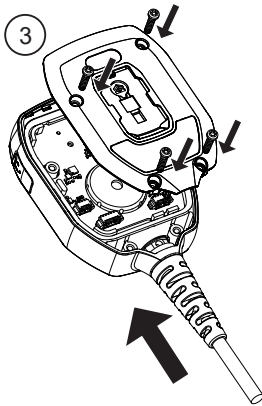
- 1 移除螺絲以拆開 RSM。



2 移除纜線。



3 重新組裝 RSM。

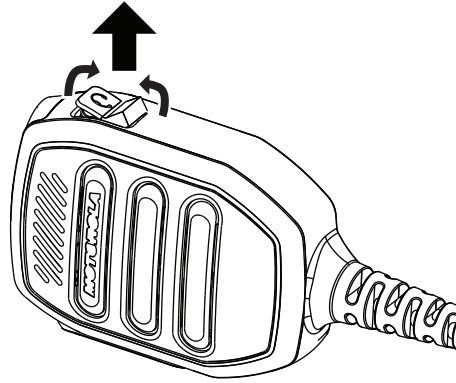


## 8.2 更換防塵蓋

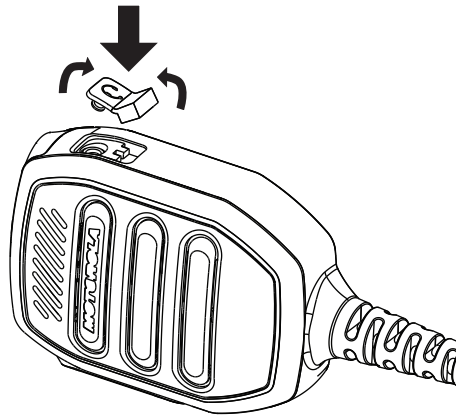
程序：

- 1 提起防塵蓋兩側。
- 2 拉出防塵蓋以將其拆除。





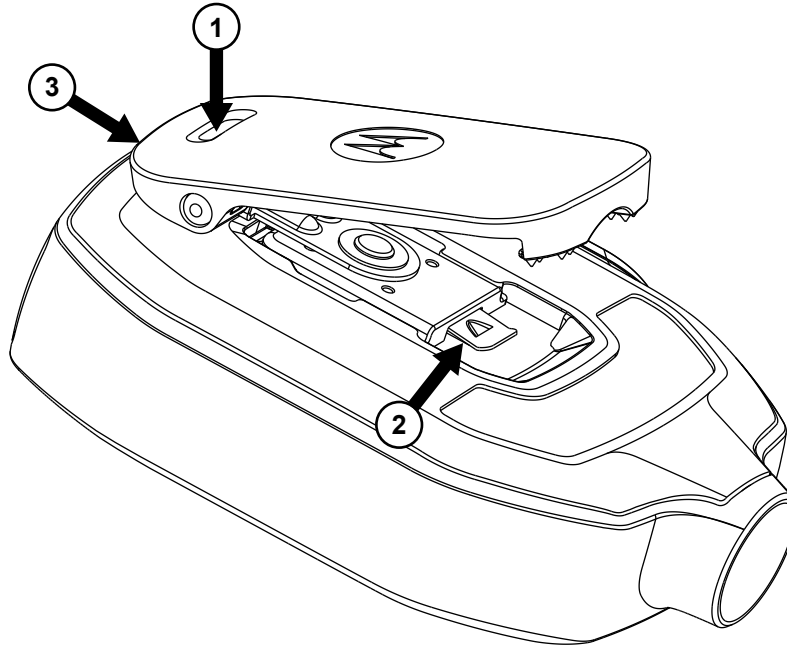
- 3 屈曲防塵蓋。
- 4 將防塵蓋覆蓋插槽。



## 8.3 更換旋轉扣夾

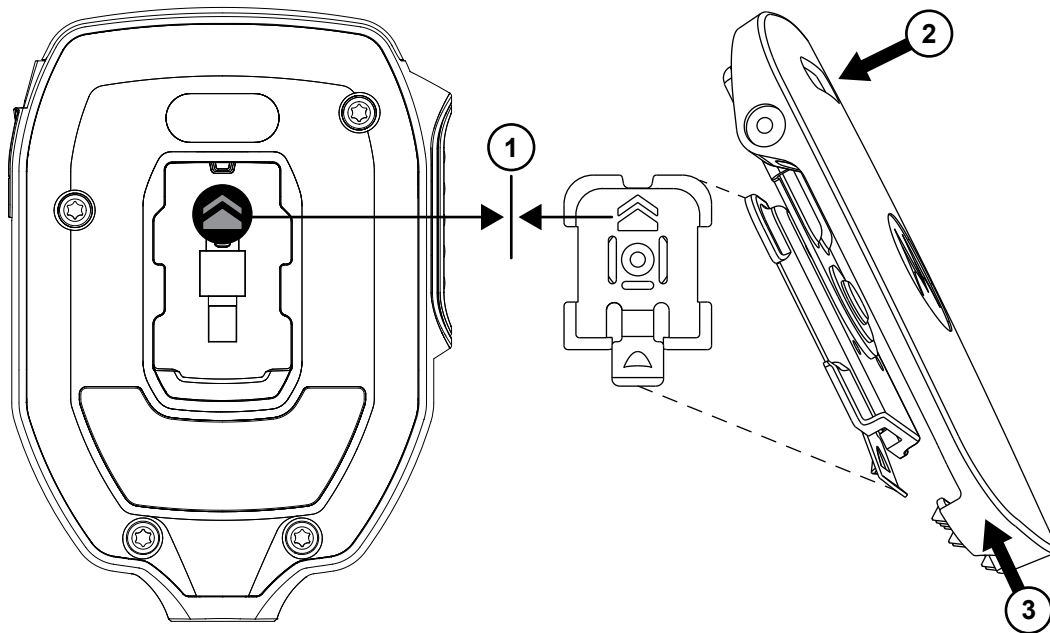
### 8.3.1 拆除旋轉扣夾

程序：



- 1 推起扣夾頂部至最高位置。
- 2 提起下方的門門。
- 3 滑動扣夾以將其移除。

### 8.3.2 安裝旋轉扣夾



#### 程序：

- 1 對齊箭咀圖示和側翼。
- 2 按下扣夾頂部。
- 3 同時將扣夾往上推。

## 第 章 9

# 維修及保養

除了可更換的纜線組件、防塵蓋和扣夾外，PMMN4140 遙控揚聲器麥克風不可維修。

Motorola Solutions 為您的配件提供保養服務。請向您的 Motorola Solutions 授權經銷商或銷售商查詢詳細資訊。



**備註：**保養將於更換任何零件後失效（所列之替換零件除外）。



**PMMN4140 RM760**

**IMPRES Windporting リモ  
ート スピーカ マイク 大  
(IP68) ユーザー ガイド**

**4 月 2022 年**

© 2022 Motorola Solutions, Inc. All rights reserved



**MN008152A01-AB**

# 安全と法律

このセクションでは、本製品の安全と法律情報について説明します。

## 知的財産および規制に関するご注意

### 著作権

本書に記載されている Motorola Solutions 製品には、著作権取得済み Motorola Solutions コンピュータプログラムが含まれている場合があります。米国およびその他諸国の法律で、著作権取得済みコンピュータプログラムの一定の独占権が Motorola Solutions のために保護されています。したがって、本書で説明される Motorola Solutions 製品に含まれるいかなる著作権取得済み Motorola Solutions コンピュータプログラムも、Motorola Solutions からの書面による明示的な許可なしに、いかなる方法においても複製または再生してはなりません。

本書のいかなる部分についても、いかなる形式であろうと、いかなる手段によっても、Motorola Solutions, Inc. からの事前の書面による許可なしに複製、伝送、情報検索システムへの格納、あらゆる言語への翻訳、コンピュータ言語への変換をしてはいけません。

### 商標

MOTOROLA、MOTO、MOTOROLA SOLUTIONS、および図案化された M ロゴは、Motorola Trademark Holdings, LLC の商標または登録商標であり、ライセンスの下で使用されます。その他のすべての商標は、該当する各所有者が権利を有しています。

### ライセンスの権利

Motorola Solutions 製品の購入は、直接的あるいは黙示的、禁反言的、またはその他の方法によって、Motorola Solutions の著作権、特許または特許申請の対象となる一切のライセンスを付与するものとはみなされないものとします。ただし、製品の販売において法の運用によって生ずる通常の非独占的、ロイヤルティ不要の使用ライセンスについては、この限りではありません。

### オープン ソース コンテンツ

この製品には、ライセンスの下で使用されるオープン ソース ソフトウェアが含まれている場合があります。オープン ソースの法的通知および帰属の内容については、製品のインストール メディアを参照してください。

### 欧州連合 (EU) および英国 (UK) の電気電子廃棄物 (WEEE) 指令



■ 欧州連合の WEEE 指令および英国の WEEE 規制では、EU 諸国および英国に販売される製品 (場合によってはパッケージ) に車輪付きゴミ箱への投入禁止ラベルを貼ることを要求しています。WEEE 指令で規定されるとおり、この車輪付きゴミ箱への投入禁止ラベルは、EU 諸国と英国の顧客とエンドユーザーが、電気および電子機器またはアクセサリを生活廃棄物として廃棄してはならないことを意味します。

EU 諸国と英国の顧客またはエンドユーザーは、自国の廃棄物収集システムについて、地元の機器販売代理店またはサービス センターに問い合わせる必要があります。

## 免責条項

特定のシステムに対して、本書で説明する特定の機能、設備、性能が適用されない、またはライセンス付与されない場合や、特定のモバイル加入者ユニットの特性や特定のパラメータの設定に依存する場合があります。詳細については、Motorola Solutions の担当者にご確認ください。

© 2022 Motorola Solutions, Inc. All Rights Reserved

## 認定マーク



## 連絡先住所

### 欧州連合連絡先

Motorola Solutions,  
Czerwone Maki 82,  
30-392 Krakow, Poland

### イギリス連絡先

Motorola Solutions UK Ltd.,  
Nova South, 160 Victoria Street,  
London, SW1E 5LB,  
United Kingdom

### Контактна інформація

Моторола Солюшинс Системз Польща  
вул.Червоне Маки, 82,  
30-392 Краків,  
Польща

# お問い合わせ

Solutions サポートセンター (SSC) は、Motorola Solutions とのお客様の組織のサービス契約に含まれているテクニカル サポートの主要連絡先となります。

サービス契約のお客様は、契約内のお客様の責任に記載されている状況 (たとえば、次のような状況) になった場合はいずれの状況でも、SSC に必ずご連絡ください。

- ソフトウェアをリロードする前に
- 操作を実行する前に、トラブルシューティングの結果と分析を確認する

組織には、地域およびサービス契約に適切なサポート電話番号およびその他の連絡先情報が提供されています。その連絡先情報を使用するのが最も効率的な対応方法です。ただし、必要に応じて、Motorola Solutions の Web サイトで一般的なサポート連絡先情報を、次の手順に従って検索することもできます。

- 1 ブラウザで、「[motorolasolutions.com](https://motorolasolutions.com)」と入力します。
- 2 お客様の組織の国または地域がページに表示されていることを確認します。地域の名前をクリックまたはタップして、地域を変更できます。
- 3 [motorolasolutions.com](https://motorolasolutions.com) ページで [サポート] を選択します。

## コメント

ユーザー マニュアルに関するご質問やご意見は、[documentation@motorolasolutions.com](mailto:documentation@motorolasolutions.com) までお送りください。

マニュアルの不備を報告する場合は、次の情報を提供してください。

- マニュアルのタイトルと部品番号
- 不備のあるセクションのページ番号またはタイトル
- 不備に関する説明

Motorola Solutions では、システムの習得を支援するためのさまざまなコースを提供しています。詳細については、<https://learning.motorolasolutions.com> にアクセスして、最新のコース内容とテクノロジーパスを参照してください。



# アイコン表記

このマニュアル一式では、視覚的にわかりやすくする工夫が施されています。マニュアル一式の全体を通じて、次のグラフィックアイコンが使用されています。



**危険**：「危険」というキーワードとそれに対応する安全アイコンの組み合わせは、従わなかった場合、死亡または重大な傷害を負うことになる情報を意味します。



**警告**：「警告」というキーワードとそれに対応する安全アイコンの組み合わせは、従わなかった場合、死亡または重大な傷害を負う可能性、あるいは製品の重大な破損が発生する可能性のある情報を意味します。



**注意**：「注意」というキーワードとそれに対応する安全アイコンの組み合わせは、従わなかった場合、軽度または中程度の傷害を負う可能性、あるいは製品の重大な破損が発生する可能性のある情報を意味します。

注意：「注意」というキーワードを安全アイコンなしに使用して、製品と関係のない破損または傷害が発生する可能性があることを意味する場合があります。




**重要**：「重要」として示された文には、そこで説明されている事項において重要であるが、「注意」や「警告」ではない情報が記載されています。「重要」として示された文には、警告レベルはありません。



**注**：「注」には、例外や前提条件など、前後のテキストより重要な情報が記載されています。また、読者に詳細情報の参照先を紹介したり、操作の完了方法を再確認したり（現在説明している手順の一部でない場合など）、特定の画面要素が画面のどこに表示されているのか示したりすることもあります。「注」には、警告レベルはありません。

# 表記規則

次の表記規則を使用しています。

表記	説明
太字	この表記は、ウィンドウ、ボタン、ラベルなどの名前が画面に表示される場合に使用されます (例: [アラーム ブラウザ] ウィンドウ)。たとえば、ボタンを参照していることが明確な場合、名前は単独で使用されます (例: <b>[OK]</b> をクリックします)。
Monospacing font in bold	この表記は、テキストに記載されているとおりに入力する言葉に使用されます (例: [アドレス] フィールドで、「http://ucs01.ucs:9080/」と入力します)。
Monospacing font	この表記は、コンピュータ画面に表示されるメッセージ、プロンプト、および他のテキストに使用します (例: A new trap destination has been added)。
<b>&lt;Monospacing font in bold Italic&gt;</b>	この表記は、特定の値グループのプレースホルダとして山形括弧と使用され、入力時にはこの位置に具体的な値を指定します (例: <b>&lt;router number&gt;</b> )。  注: 入力する順序どおりとし、入力するテキストに山形括弧を含めるかどうかについての混乱を避けるため、山形括弧は省略しています。
大文字	この表記は、キーボードのキーに使用されます (例: Y を押し、次に ENTER キーを押します)。
斜体	この表記は、引用に使用されます。引用は通常、文書の名前または他の文書からの引用句です (例: 『Dimetra IP System Overview』)。
→	→ (右矢印) は、特定のメニュー項目を選択する手順で、メニュー (例: [ファイル]→[保存]) またはタブの構造を示すために使用されます。

# 目次

安全と法律.....	2
知的財産および規制に関するご注意.....	2
認定マーク.....	3
連絡先住所.....	3
お問い合わせ.....	4
アイコン表記.....	5
表記規則.....	6
電磁波エネルギー被曝および製品の安全性のガイド.....	8
章 1：製品概要.....	9
1.1 送受信.....	9
章 2：RM760 で推奨される操作.....	11
章 3：RSM を無線機に取り付ける.....	12
章 4：RSM を無線機から取り外す.....	13
章 5：推奨される装着位置.....	14
章 6：ケーブルの管理.....	15
章 7：オプションのアクセサリ.....	16
章 8：交換部品.....	17
8.1 コイル コードの交換.....	17
8.2 ダスト カバーの交換.....	18
8.3 スイベル クリップの交換.....	20
8.3.1 スイベル クリップの取り外し.....	20
8.3.2 スイベル クリップの取り付け.....	21
章 9：サービスと保証.....	22

# 電磁波エネルギー被曝および製品の安全性のガイド

このドキュメントには安全と取扱いに関する重要な説明が含まれています。以下の説明を注意深く読み、今後も参照できるように保管しておいてください。

## 注意：

本アクセサリのご使用前に、この説明書をよくお読みください。安全にお使いいただくための取り扱い方法と、電磁波エネルギーについての重要な説明が記載されています。また、電磁波エネルギー被曝限度についての該当基準および法規制に対する適合情報の説明も記載されています。

このリモート スピーカ マイク (RSM) をこの無線機に取り付けている際は、FCC/ICNIRP RF の電磁波エネルギー被曝要件に準拠した業務用の利用に限定されています。本製品をご使用になる前に、無線機に同封されている製品の安全性と電磁波被曝に関する冊子に記載されている電磁波エネルギー認識情報と操作説明書をご一読いただき、電磁波エネルギー被曝限度を確実に順守してください。

## 聴覚の安全性

音源を問わず、大音量の音に長時間さらされた場合、聴力が一時的または恒久的に影響を受ける場合があります。無線機の音量が大きいとそれだけ、短時間で聴力が影響を受けます。

大音量の音による聴覚障害は、最初は自覚症状がない場合があり、その影響は累積的である可能性があります。

聴力を保護するため、次のガイドラインに従ってください。

- 必要最低限の音量で使用してください。
- 周囲の音が大きいために聞き取りにくい場合にのみ、音量を上げてください。
- ヘッドセットまたはイヤピースを装着する前に、音量を下げてください。
- 長時間、大音量でヘッドセットやイヤピースを使用しないでください。
- ヘッドセットやイヤピースを使用せずに無線機を使用する場合は、耳に直接スピーカを当てないでください。
- 不快な音が聞こえる、耳鳴りがする、または声が聞こえづらい場合は、ヘッドセットまたはイヤピースを通じて無線機の音を聞くのを止め、聴力について医師の診察を受けてください。音量レベルを変更するには、「無線機製品の安全性に関するリーフレット」または「CPS 向け監視用特大音量 (XL) キットの構成」を参照してください。

## 章 1

# 製品概要

このユーザー マニュアルでは、RM760 IMPRES Windporting リモート スピーカ マイク、ベーシック大 (IP68)、PMMN4140 について説明します。



番号	説明
1	プッシュトゥーク ボタン
2	ダスト カバーで覆われた受信専用 3.5mm オーディオ ジャック (スレッドなし)

### 1.1 送受信

図 1: 送信

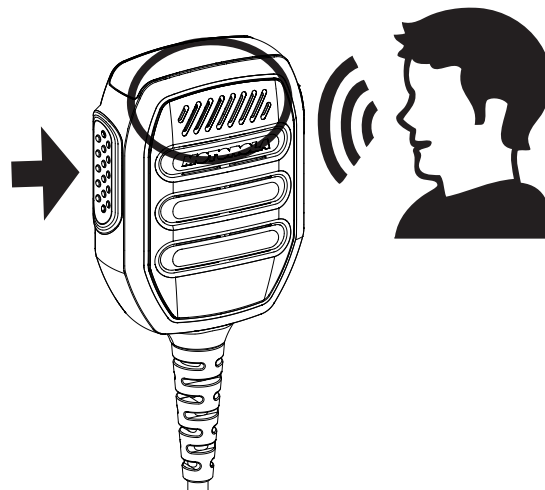
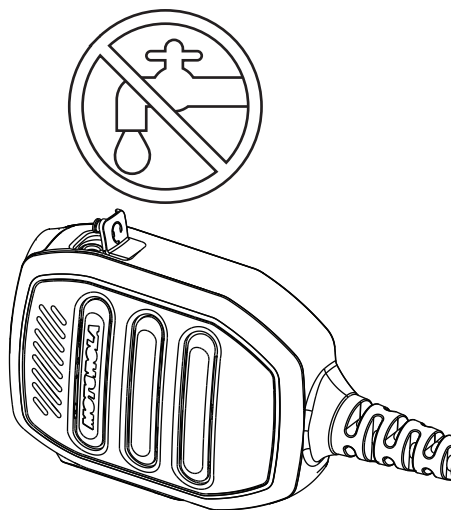


図 2：受信



## 章 2

# RM760 で推奨される操作



- イヤピースに接続していないときは、オーディオ ジャックをダスト カバーで覆います。オーディオ ジャックに水を入れないでください。
- オーディオ ジャックに水が入った場合は、RSM を振って水を取り除いてください。

## 章 3

# RSM を無線機に取り付ける

手順:

- 1 RSM コネクタを無線機のサイド コネクタに取り付けます。
- 2 しっかり固定されるまで、ネジを時計回りに回して締めます。



注：適切な動作を確認するために、RSM を無線機に接続する前に無線機の電源をオフにしてください。RSM を無線機に接続すると無線機のスピーカは無効になりますが、無線機のマイクと PTT は無効にはなりません。



## 章 4

# RSM を無線機から取り外す

手順:

- 1 RSM コネクタのネジを外して、RSM コネクタを無線機側のコネクタから取り外します。
- 2 セカンダリ アクセサリを使用していないときは、ダスト カバーを RSM のオーディオ ジャックに挿入したままにしておきます。

## 章 5

# 推奨される装着位置

図 3：RM760 で推奨される装着位置



## 章 6

# ケーブルの管理

このセクションでは、推奨されるケーブルの位置について説明します。

図 4：推奨

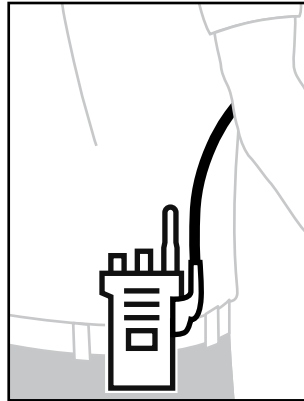
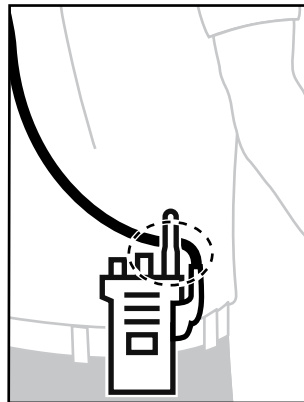


図 5：非推奨



最適な通信範囲とユーザー体験を実現するため、無線機のアンテナとアクセサリ ケーブルを交差させないようにすることが推奨されます。

## 章 7

## オプションのアクセサリ

いいえ	説明
PMLN8120	Rx 専用 xL クリア チューブ イヤピース、3.5 mm ジャック

章 8

# 交換部品

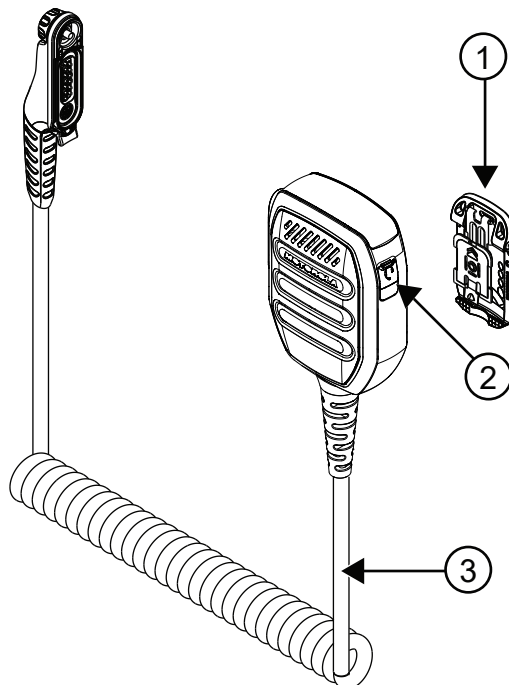


表 1 : 交換部品の吹き出し

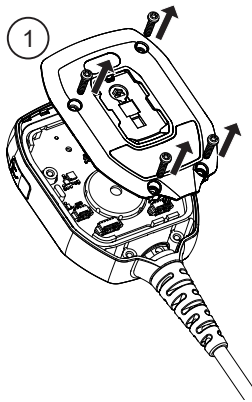
なし	説明
1	ロープロファイル スイベル クリップ (PMLN8121)
2	ダスト カバー 10 個パック (PMLN8122)
3	コイル コード (PMKN4232)

## 8.1

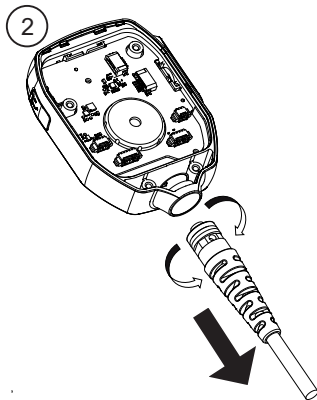
### コイル コードの交換

手順:

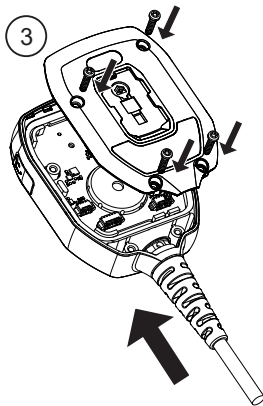
- 1 ネジを取り外して RSM を分解します。



2 ケーブルを取り外します。



3 RSM を組み立て直します。

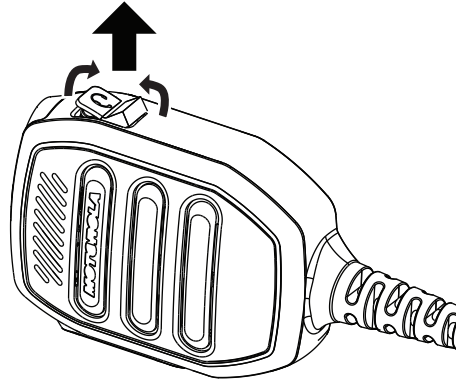


## 8.2

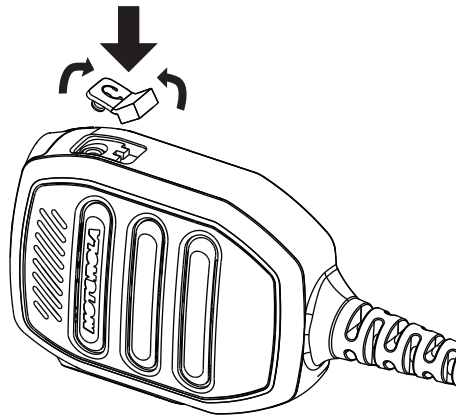
### ダスト カバーの交換

手順:

- 1 ダスト カバーの両側を持ち上げます。
- 2 ダスト カバーを引き出して取り外します。



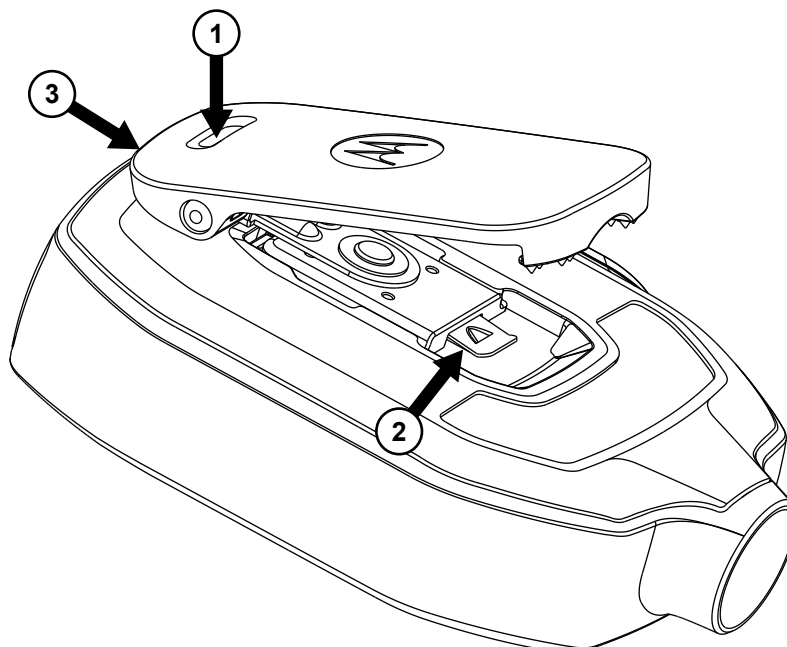
- 3 ダストカバーを曲げます。
- 4 ダストカバー スロットに挿入します。



## 8.3 スイベル クリップの交換

### 8.3.1 スイベル クリップの取り外し

手順:

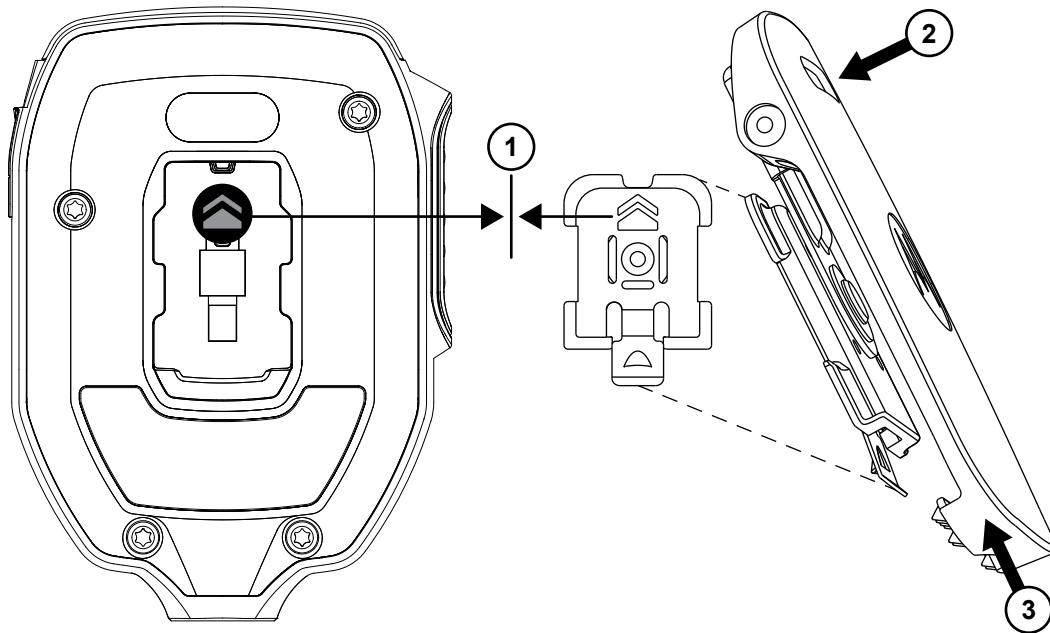


- 1 クリップの上部を押して、クリップを最も高い位置まで上げます。
- 2 下部にあるリリース ラッチを持ち上げます。
- 3 クリップをスライドして取り外します。



### 8.3.2

## スイベル クリップの取り付け



手順:

- 1 矢印アイコンとサイド ウィングを一致させて位置を合わせます。
- 2 クリップの上部を押し下げます。
- 3 同時に、スライド クリップを押し上げます。

## 章 9

# サービスと保証

交換可能なケーブル アセンブリ、ダスト カバー、クリップを除き、PMMN4140 リモート スピーカ マイクは修理できません。

Motorola Solutions では、アクセサリの保証を提供しています。詳細については、Motorola Solutions 代理店または購入時点情報を参照してください。



注：掲載されている交換部品以外の部品のお客様による交換は、保証が無効になります。



# PMMN4140 RM760

## IMPRES 윈드포팅 원격 스피커 마이크, 대형(IP68) 사용 설명서

4월 2022년



# 안전 및 법률

이 단원에서는 이 제품의 안전 및 법률 정보를 제공합니다.

## 지적 재산권 및 규제 고지

### 저작권

이 문서에 설명되어 있는 Motorola Solutions 제품에는 저작권 보호를 받는 Motorola Solutions 컴퓨터 프로그램이 포함되어 있을 수 있습니다. 미국과 기타 국가의 법률은 저작권 보호를 받는 컴퓨터 프로그램에 대한 독점적인 권리를 Motorola Solutions에 부여합니다. 따라서 본 문서에 수록된 Motorola Solutions 제품에 포함되어 있으며 Motorola Solutions이 저작권을 보유한 모든 컴퓨터 프로그램은 Motorola Solutions의 서면 승인이 없는 한 어떠한 형식으로도 복사 또는 복제할 수 없습니다.

이 문서의 어떤 부분도 Motorola Solutions, Inc.의 사전 서면 허가 없이 어느 형태나 방식으로든 검색 시스템에 복사, 전송, 저장하거나 다른 언어나 컴퓨터 언어로 번역할 수 없습니다.

### 등록 상표

MOTOROLA, MOTO, MOTOROLA SOLUTIONS 및 양식화된 M 로고는 Motorola Trademark Holdings, LLC의 상표 또는 등록 상표이며 라이선스에 의거하여 사용됩니다. 기타 모든 상표는 해당 소유자의 재산입니다.

### 라이선스 권한

제품 판매 관련 법규에 의해 사용이 허가된 일반적인 비배타적, 사용료가 면제된 라이선스를 제외하고는 Motorola Solutions 제품의 구매를 통해 저작권, 특허 또는 Motorola Solutions 특허 출원 하의 어떠한 라이선스도 직접적, 암시적, 금반언 또는 그 밖의 어떠한 형식으로도 권리를 부여받은 것으로 간주되지 않습니다.

### 오픈 소스 콘텐츠

이 제품에는 라이선스에 의거하여 사용되는 오픈 소스 소프트웨어가 포함되어 있을 수 있습니다. 오픈 소스 법적 고지 및 귀속과 관련된 전체 내용은 제품 설치 미디어를 참조하십시오.

## 유럽 연합(EU) 및 영국(UK) 전기 전자 폐기물(WEEE: Waste Electrical and Electronic Equipment) 지침



유럽 연합의 WEEE 규정 및 영국의 WEEE 규정에 의하면 유럽 연합 및 영국에서 판매되는 제품(또는 포장)에는 가위표가 표시된 바퀴 달린 쓰레기통 라벨이 부착되어 있어야 합니다. WEEE 규정에 따라, 가위표가 표시된 바퀴 달린 쓰레기통 라벨이 부착되어 있으면 유럽 연합 및 영국의 고객과 최종 사용자는 전기 전자 장비 또는 부속품을 생활 쓰레기로 폐기해서는 안 됩니다.

유럽 연합 및 영국의 고객 또는 최종 사용자는 현지 장비 공급업체 대리점이나 서비스 센터에 연락해 해당 국가의 쓰레기 수거 시스템에 대한 정보를 참조해야 합니다.

### 면책고지

본 문서에 수록된 일부 기능, 설비 및 능력은 특정 시스템용으로 적용하거나 사용하도록 라이선스가 부여되지 않을 수 있으며 특정 모바일 가입자 장치의 특성 또는 일부 매개 변수의 구성에 따라 달라질 수 있습니다. 자세한 정보는 현지 Motorola Solutions 대리점에 문의하십시오.

© 2022 Motorola Solutions, Inc. All Rights Reserved

## 인증 마크



기자재명칭 : 리모트스피커마이크  
인증번호 : R-R-MKI-PMMN4140A  
신청인 : 모토로라솔루션코리아주식회사  
A/S 연락처 : 00798-14-800-9674  
제조사 : MOTOROLA SOLUTIONS MALAYSIA SDN. BHD  
Made in Malaysia

## 문의처

### 유럽 연합 문의처

Motorola Solutions,  
Czerwone Maki 82,  
30-392 Krakow, Poland

### 영국 문의처

Motorola Solutions UK Ltd.,  
Nova South, 160 Victoria Street,  
London, SW1E 5LB,  
United Kingdom

### Контактна інформація

Моторола Солюшинс Системз Польща  
вул. Червоне Маки, 82,  
30-392 Краків,  
Польща

# 연락처

SSC(솔루션 지원 센터)는 Motorola Solutions과 사용자 조직의 서비스 계약에 포함된 기술 지원을 위한 기본 연락처입니다.

서비스 계약 고객은 다음과 같이 계약에서 고객 책임 아래에 나열된 모든 상황에서 SSC에 연락해야 합니다.

- 소프트웨어를 다시 로드하기 전에
- 조치를 취하기 전에 문제 해결 결과 및 분석을 확인하기 위해

사용자 조직에 전달된 해당 지역 및 서비스 계약에 대한 지원 전화번호와 기타 연락처 정보를 사용하면 효율적으로 응답을 받으실 수 있습니다. 그러나 필요한 경우 다음 단계에 따라 Motorola Solutions 웹 사이트에서 일반 지원 연락처 정보를 찾을 수 있습니다.

- 1 브라우저에서 [motorolasolutions.com](https://motorolasolutions.com)을 입력합니다.
- 2 조직의 국가 또는 지역이 페이지에 표시되는지 확인합니다. 지역 이름을 클릭하거나 탭하면 변경하는 방법이 제공됩니다.
- 3 [motorolasolutions.com](https://motorolasolutions.com) 페이지에서 "지원"을 선택합니다.

## 의견

사용 설명서와 관련된 질문과 의견은 [documentation@motorolasolutions.com](mailto:documentation@motorolasolutions.com)으로 보내주십시오.

문서 오류를 보고할 때는 다음 정보를 제출해 주십시오.

- 문서 제목 및 부품 번호
- 오류가 있는 페이지 번호 또는 섹션 제목
- 오류에 대한 설명

Motorola Solutions은 시스템 학습을 지원하기 위해 설계된 다양한 과정을 제공합니다. 자세한 내용은 <https://learning.motorolasolutions.com>으로 이동하여 현재 개설된 과정 및 기술 경로를 확인하십시오.

A/S 센터: 00798-14-800-9674

# 아이콘 규칙

이 설명서에는 사용자의 이해를 돕기 위한 다양한 아이콘이 있습니다. 다음 아이콘은 설명서 전반에 사용됩니다.



**위험:** 관련 안전 아이콘과 함께 표시되는 "위험"은 무시할 경우 심각한 상해 또는 사망을 초래할 수 있는 정보를 나타냅니다.



**경고:** 관련 안전 아이콘과 함께 표시되는 "경고"는 무시할 경우 심각한 상해, 사망 또는 심각한 제품 손상을 초래할 수 있는 정보를 나타냅니다.



**주의:** 관련 안전 아이콘과 함께 표시되는 "주의"는 무시할 경우 경미하거나 심각하지 않은 상해 또는 심각한 제품 손상을 초래할 수 있는 정보를 나타냅니다.

**주의:** 안전 아이콘이 표시되지 않는 "주의"는 제품과 관련이 없는 잠재적인 손상이나 상해를 나타냅니다.




**중요:** "중요"는 중요한 정보이지만 주의나 경고 수준이 아닌 정보를 나타냅니다. 중요 표시와 연관된 경고 레벨은 없습니다.



**참고:** "참고"에는 예외 사항이나 선결 조건과 같이 주변 내용보다 더 중요한 정보가 있습니다. 또한 참고는 사용자에게 다른 곳에 있는 추가 정보를 알려주거나, 동작을 완료하는 방법을 상기시켜 주거나(예: 현재 절차의 일부가 아닌 경우), 화면에서 무언가가 어디에 있는지 설명해 줍니다. 참고와 연관된 경고 레벨은 없습니다.

# 스타일 규칙

다음과 같은 스타일 규칙을 사용합니다.

규칙	설명
굵은 글꼴	이 서체는 화면에 이름이 나타날 때 창, 버튼 및 라벨 이름에 사용됩니다 (예: <b>Alarms Browser</b> (경보 브라우저) 창). 확실한 것(예: 버튼)을 가리킬 때 이름이 단독으로 사용됩니다(예: <b>OK</b> (확인)를 클릭합니다.).
Monospacing font in bold	이 서체는 텍스트에 표시된 대로 정확하게 입력하는 단어에 사용됩니다 (예: <b>Address</b> (주소) 필드에 <code>http://ucs01.ucs:9080/</code> 을 입력합니다.).
고정 너비 글꼴	이 서체는 메시지, 프롬프트 및 컴퓨터 화면에 표시되는 다른 텍스트에 사용됩니다(예: A new trap destination has been added).
<Monospacing font in bold Italic>	이 서체는 단어가 나타내는 특정 그룹 구성원의 자리 표시자로 꺾쇠 괄호와 함께 사용됩니다(예: <router number>).  <b>참고:</b> 입력되는 순서에서 꺾쇠 괄호는 입력할 텍스트에 꺾쇠 괄호 포함 여부를 혼동하지 않도록 생략됩니다.
대문자	이 서체는 키보드 키에 사용됩니다(예: Y를 누른 후 ENTER를 누릅니다.).
기울임꼴	이 서체는 인용에 사용됩니다. 일반적으로 인용은 문서 이름이거나 다른 문서에서 온 구문입니다(예: <i>Dimetra IP 시스템 개요</i> ).
→	→(오른쪽 화살표)는 특정 메뉴 항목(예: <b>File(파일)</b> → <b>Save(저장)</b> ) 또는 특정 하위 탭을 선택하는 방법에서 메뉴 또는 탭 구조를 나타내는 데 사용됩니다.



# 목차

<b>안전 및 법률</b> .....	<b>2</b>
지적 재산권 및 규제 고지.....	2
인증 마크.....	3
문의처.....	3
<b>연락처</b> .....	<b>4</b>
<b>아이콘 규칙</b> .....	<b>5</b>
<b>스타일 규칙</b> .....	<b>6</b>
<b>RF 에너지 노출 및 제품 안전 설명서</b> .....	<b>8</b>
<b>장 1 : 제품 개요</b> .....	<b>9</b>
1.1 송신 및 수신.....	9
<b>장 2 : RM760 권장 사용법</b> .....	<b>11</b>
<b>장 3 : RSM을 무전기에 부착</b> .....	<b>12</b>
<b>장 4 : 무전기에서 RSM 분리</b> .....	<b>13</b>
<b>장 5 : 권장 착용 위치</b> .....	<b>14</b>
<b>장 6 : 케이블 관리</b> .....	<b>15</b>
<b>장 7 : 액세서리(별매품)</b> .....	<b>16</b>
<b>장 8 : 교체 부품</b> .....	<b>17</b>
8.1 코일 코드 교체.....	17
8.2 먼지 커버 교체.....	18
8.3 스위블 클립 교체.....	20
8.3.1 스위블 클립 분리.....	20
8.3.2 스위블 클립 부착.....	21
<b>장 9 : 서비스 및 보증</b> .....	<b>22</b>

# RF 에너지 노출 및 제품 안전 설명서

이 문서는 주요 안전 지침 및 작동 지침을 수록하고 있습니다. 지침을 주의 깊게 읽으신 후 향후 참고자료로 활용하기 위해 보관하여 주십시오.

## 주의:

이 액세서리를 사용하기 전에 안전한 사용, RF 에너지에 대한 이해 및 관련 표준과 규정을 준수하는 제어와 관련된 중요한 작동 지침이 수록된 본 설명서를 읽어 주시기 바랍니다.

원격 스피커 마이크(RSM)는 무전기에 연결할 경우 FCC/ICNIRP RF 에너지 노출 요건을 충족시키기 위해 업무 목적으로만 사용하도록 제한되어 있습니다. 본 제품을 사용하기 전에 RF 에너지 노출 제한을 준수할 수 있도록 무전기와 함께 제공된 제품 안전 및 RF 노출 안내서의 RF 에너지 인식 정보 및 취급 지침을 읽어 주십시오.

이 기기는 업무용 환경에서 사용할 목적으로 적합성평가를 받은 기기로서 가정용 환경에서 사용하는 경우 전파간섭의 우려가 있습니다

## 청각 안전

음원에 관계없이 시끄러운 소음에 장시간 노출될 경우 청력에 일시적 또는 영구적인 영향을 미칠 수 있습니다. 청력에 영향을 주지 않으려면 무전기 볼륨 수준이 높을수록 보다 짧은 시간 동안 사용해야 합니다.

시끄러운 소음으로 인한 청력 손상은 초기 단계에는 발견되지 않는 경우가 종종 있으므로 손상이 누적될 수 있습니다.

청력 보호를 위해 다음 지침을 따르십시오.

- 작업 시 가능한 한 볼륨을 낮추어 사용합니다.
- 주변 소음이 심한 환경에서만 볼륨을 높이십시오.
- 헤드셋 또는 이어폰 장착 전에 볼륨을 낮추십시오.
- 볼륨을 높여 들을 경우 헤드셋 또는 이어폰의 사용 시간을 제한하십시오.
- 헤드셋 또는 이어폰 없이 무전기를 사용할 경우 무전기 스피커를 귀 바로 옆에 두지 마십시오.
- 귀의 울림 또는 멍멍함 등의 불편한 증상을 겪은 경우 무전기에서 헤드셋 또는 이어폰 사용을 멈추고 담당 의사에게 청력 검진을 받으십시오. 볼륨 수준을 변경하려면 *무전기 제품 안전 안내서* 또는 Extra Loud(xL) 감독 키트 구성용 CPS를 참조하십시오.

## 장 1

# 제품 개요

이 사용 설명서는 RM760 IMPRES 윈드포팅 원격 스피커 마이크, 대형 기본(IP68), PMMN4140에 대해 설명합니다.



번호	설명
1	PTT(Push-to-Talk) 버튼
2	먼지 커버가 있는 수신 전용 3.5mm 오디오 잭 (논스레드)

### 1.1 송신 및 수신

그림 1 : 송신

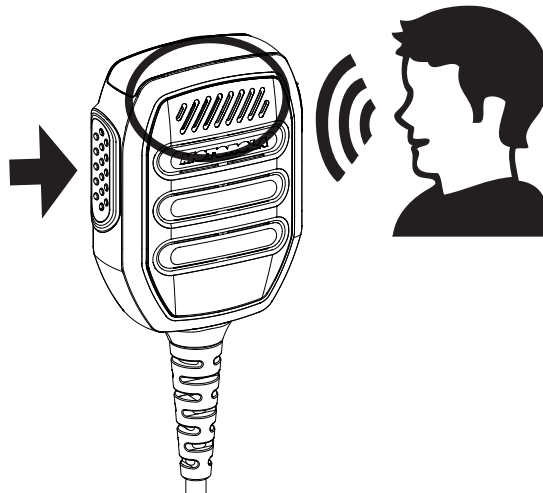
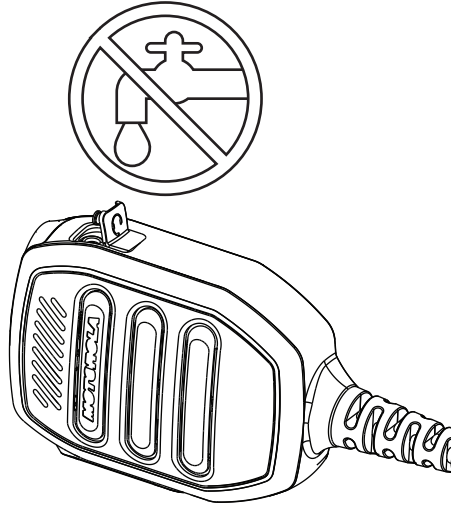


그림 2 : 수신



장 2

## RM760 권장 사용법



- 오디오 잭을 이어폰과 연결하지 않은 경우에는 먼지 커버로 덮으십시오. 오디오 잭에 물을 넣지 마십시오.
- 오디오 잭에 물이 들어갈 경우 RSM을 흔들어서 물을 제거합니다.

## 장 3

# RSM을 무전기에 부착

### 절차:

- 1 RSM 커넥터를 무전기의 측면 커넥터에 연결합니다.
- 2 단단히 고정될 때까지 연결 나사를 시계 방향으로 돌리십시오.



**참고:** 제대로 작동하려면 RSM을 무전기에 연결하기 전에 무전기를 끄십시오. RSM을 무전기에 연결하면 무전기 스피커가 비활성화되지만 무전기의 마이크와 PTT는 비활성화되지 않습니다.

## 장 4

# 무전기에서 RSM 분리

### 절차:

- 1 무전기 측면 커넥터에서 RSM 커넥터의 나사를 풀어 분리합니다.
- 2 보조 액세서리를 사용하지 않을 때는 RSM의 오디오 잭에 먼지 커버를 삽입한 후 보관해야 합니다.

## 장 5

# 권장 착용 위치

그림 3 : RM760 착용 위치





## 장 6

# 케이블 관리

이 섹션에서는 권장되는 케이블 위치를 설명합니다.

그림 4 : 권장

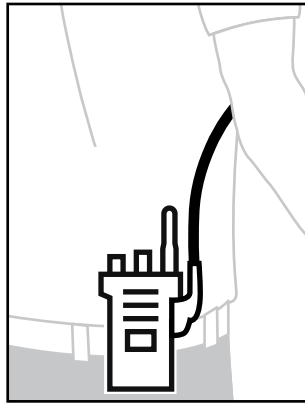
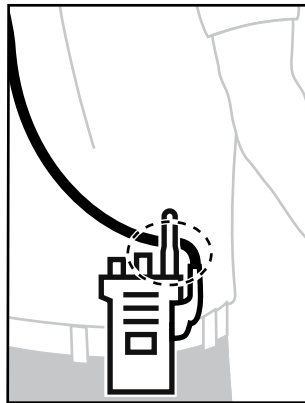


그림 5 : 권장되지 않음



최적의 범위와 사용자 환경을 위해 무선기 안테나와 액세서리 케이블을 교차하지 않는 것이 좋습니다.

## 장 7

# 액세서리(별매품)

번호	설명
PMLN8120	RX 전용 xL 투명 튜브 이어폰, 3.5mm 잭

장 8

# 교체 부품

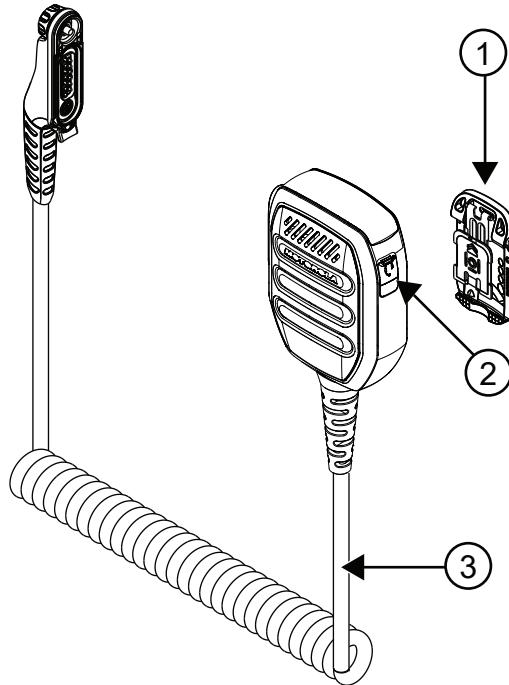


표 1 : 교체 부품 콜아웃

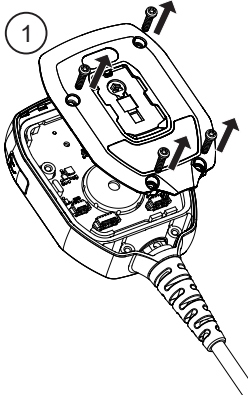
번호	설명
1	로우 프로파일 스위블 클립(PMLN8121)
2	먼지 커버 10개/팩(PMLN8122)
3	코일 코드(PMKN4232)

## 8.1

### 코일 코드 교체

**절차:**

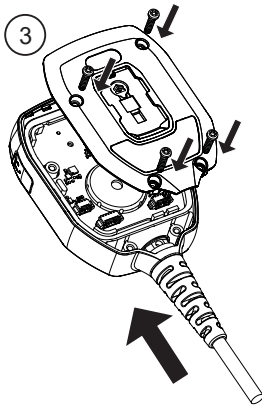
- 1 나사를 제거하여 RSM을 분리합니다.



2 케이블을 분리합니다.



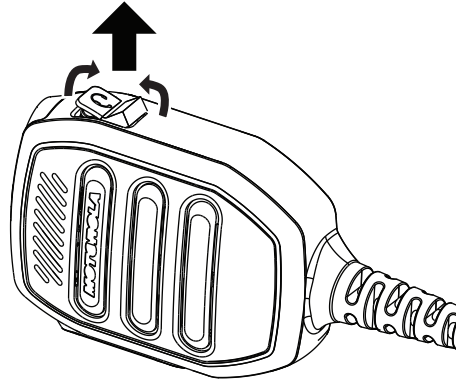
3 RSM을 다시 조립합니다.



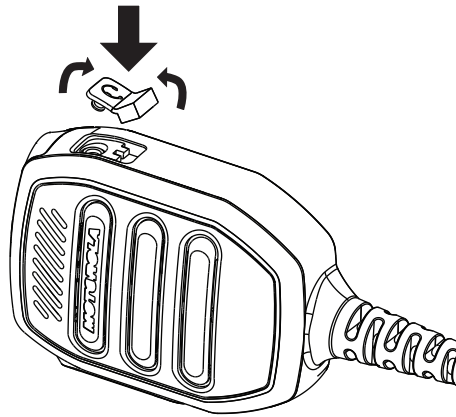
## 8.2 먼지 커버 교체

절차:

- 1 먼지 커버의 양쪽을 들어 올립니다.
- 2 먼지 커버를 당겨 분리합니다.



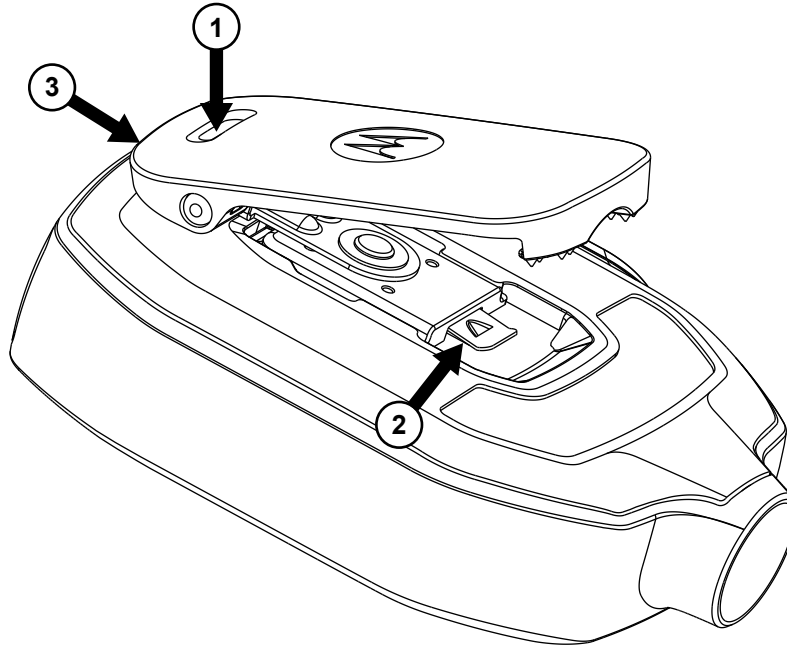
- 3 먼지 커버를 구부립니다.
- 4 먼지 커버 슬롯에 삽입합니다.



### 8.3 스위블 클립 교체

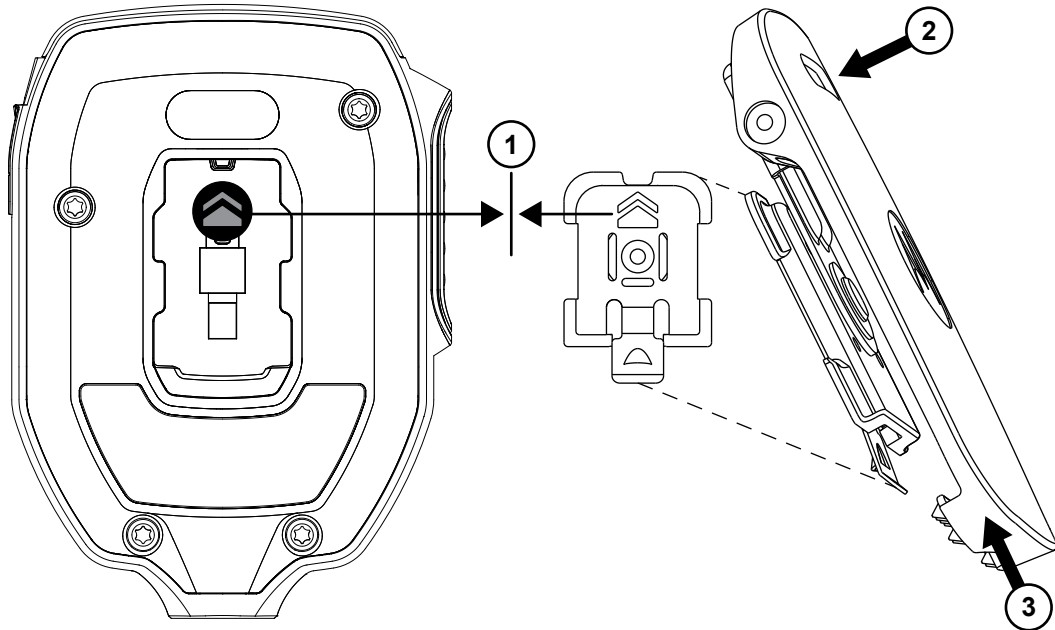
#### 8.3.1 스위블 클립 분리

절차:



- 1 클립의 상단을 눌러 클립을 가장 높은 위치까지 올립니다.
- 2 하단 고정쇠를 들어 올립니다.
- 3 클립을 밀어서 제거합니다.

### 8.3.2 스위블 클립 부착



**절차:**

- 1 화살표 아이콘 및 측면 윙을 일치시켜 정렬합니다.
- 2 클립의 상단을 아래로 누릅니다.
- 3 동시에 슬라이드 클립을 위쪽으로 밀습니다.

## 장 9

# 서비스 및 보증

교체 가능한 케이블 어셈블리, 먼지 커버 및 클립 이외에 PMMN4140 원격 스피커 마이크는 수리할 수 없습니다.

Motorola Solutions은 액세서리에 대한 보증을 제공합니다. 자세한 내용은 Motorola Solutions 대리점 또는 구입처에 문의하십시오.



**참고:** 고객이 나열된 교체 부품 이외의 부품으로 교체하면 보증이 무효화됩니다.





# **Руководство пользователя выносного модуля тангенты IMPRES RM760 с защитой от ветра, большой размер (IP68), PMMN4140**

**2021 Г. 2022 Г.**

© 2022 Motorola Solutions, Inc. All rights reserved



**MN008152A01-AB**

# Сведения о технике безопасности и юридическая информация

В данном разделе содержатся сведения о технике безопасности и юридическая информация о данном изделии.

## Примечания об интеллектуальной собственности и нормативных требованиях

### Авторские права

Описанные в этом документе продукты Motorola Solutions могут включать в себя защищенные авторским правом компьютерные программы Motorola Solutions. Законы США и некоторых других стран обеспечивают определенные эксклюзивные права компании Motorola Solutions в отношении защищенных авторским правом компьютерных программ. В связи с этим любые защищенные авторским правом компьютерные программы Motorola Solutions, содержащиеся в продуктах Motorola Solutions, которые описаны в настоящем документе, запрещается копировать или воспроизводить каким бы то ни было способом без явного письменного разрешения Motorola Solutions.

Запрещается воспроизведение, передача, хранение в поисковых системах или перевод на любой язык, в том числе машинный, любой части настоящего документа в любой форме, любыми средствами и для любых целей без предварительного письменного разрешения Motorola Solutions, Inc.

### Товарные знаки

MOTOROLA, MOTO, MOTOROLA SOLUTIONS и логотип в виде стилизованной буквы М являются товарными знаками или зарегистрированными товарными знаками Motorola Trademark Holdings, LLC и используются по лицензии. Все прочие товарные знаки являются собственностью соответствующих владельцев.

### Права на лицензию

Приобретение продуктов Motorola Solutions не приводит прямо, косвенно, процессуально или каким-либо иным образом к предоставлению какой-либо лицензии в отношении авторских прав, патентов или заявок на патенты Motorola Solutions, за исключением обычной неисключительной лицензии на использование без уплаты роялти, которая возникает по закону при продаже продукта.

### Продукт с открытым исходным кодом

Данный продукт может содержать ПО с открытым исходным кодом, используемое по лицензии. Полную информацию о правовых положениях и авторских правах на ПО с открытым исходным кодом можно найти на установочном носителе продукта.

### Директива по утилизации электрического и электронного оборудования (WEEE) Европейского союза (ЕС) и Великобритании



В соответствии с директивой WEEE Европейского союза и директивой WEEE Великобритании продукция, поступающая в страны ЕС и Великобританию, должна иметь

ярлык со значком перечеркнутой мусорной корзины на изделии (в некоторых случаях — на упаковке). Согласно директиве WEEE такой ярлык со значком перечеркнутой мусорной корзины означает, что клиенты и конечные пользователи в странах ЕС и Великобритании не должны выбрасывать электронное и электрическое оборудование или аксессуары к нему вместе с бытовыми отходами.

Клиенты или конечные пользователи в странах ЕС и Великобритании должны обратиться в местное представительство поставщика оборудования или в центр обслуживания, чтобы получить информацию о пунктах переработки в соответствующей стране.

### **Отказ от ответственности**

Обратите внимание, что определенные функции, оборудование и возможности, описанные в настоящем документе, могут не подходить или не быть лицензированы для использования в определенных системах, а также могут зависеть от характеристик определенного мобильного абонентского терминала или конфигурации определенных параметров. Обратитесь к представителю компании Motorola Solutions для получения дополнительной информации.

© 2022 Motorola Solutions, Inc. Все права защищены.

### **Маркировки о сертификации**



### **Контактный адрес**

#### **Адрес для обращений в ЕС**

Motorola Solutions,  
Czerwone Maki 82,  
30-392 Krakow, Poland

#### **Адрес для обращений в Великобритании**

Motorola Solutions UK Ltd.,  
Nova South, 160 Victoria Street,  
London, SW1E 5LB,  
United Kingdom

#### **Контактна інформація**

Моторола Солюшинс Системз Польща  
вул. Червоне Маки, 82,  
30-392 Краків,  
Польща

# Контактные данные

Центр поддержки решений (SSC) — это основной контакт для получения технической поддержки, указанный в соглашении об обслуживании, заключенном между вашей организацией и Motorola Solutions.

Клиенты, заключившие соглашение об обслуживании, могут обращаться в центр SSC во всех ситуациях, перечисленных в разделе "Обязанности клиента" в соглашении, например:

- перед загрузкой программного обеспечения;
- для подтверждения результатов поиска и устранения неисправностей и анализа ситуации перед принятием мер.

Вашей организации были переданы номера телефонов службы поддержки и другая контактная информация для вашего региона, а также соглашение об обслуживании. Используйте эту контактную информацию для наиболее эффективного решения проблем. Однако при необходимости вы также можете найти основную контактную информацию службы поддержки на веб-сайте Motorola Solutions, выполнив следующие действия:

- 1 В браузере введите [motorolasolutions.com](http://motorolasolutions.com).
- 2 Убедитесь, что отображается страница для страны или региона, в котором расположена ваша организация. Чтобы изменить регион, нажмите его название или коснитесь его.
- 3 На странице [motorolasolutions.com](http://motorolasolutions.com) выберите "Поддержка".

## Комментарии

Вопросы и комментарии относительно пользовательской документации направляйте на следующий адрес электронной почты: [documentation@motorolasolutions.com](mailto:documentation@motorolasolutions.com).

Чтобы сообщить об ошибке в каком-либо документе, необходимо предоставить следующую информацию:

- название документа и номер детали по каталогу;
- номер страницы или заголовок раздела с ошибкой;
- описание ошибки.

Motorola Solutions предлагает различные обучающие курсы, разработанные специально для помощи пользователям в освоении системы. Для получения более подробной информации и ознакомления с обзором текущих курсов и решениями для внедрения новых технологий перейдите по следующему адресу: <https://learning.motorolasolutions.com>.

# Условные обозначения: значки

Настоящая документация разработана таким образом, чтобы предоставить пользователю максимальное количество наглядных подсказок. В документации используются следующие графические значки.



**ОПАСНОСТЬ:**

Сигнальное слово "ОПАСНОСТЬ" с соответствующим значком безопасности указывает на информацию, игнорирование которой может привести к летальному исходу или получению тяжелых травм.



**ПРЕДУПРЕЖДЕНИЕ:**

Сигнальное слово "ПРЕДУПРЕЖДЕНИЕ" с соответствующим значком безопасности указывает на информацию, игнорирование которой может привести к летальному исходу, получению тяжелых травм или серьезному повреждению оборудования.



**ВНИМАНИЕ:**

Сигнальное слово "ВНИМАНИЕ" с соответствующим значком безопасности указывает на информацию, игнорирование которой может привести к получению незначительных травм, травм средней тяжести или серьезному повреждению оборудования.

**ВНИМАНИЕ:**

Сигнальное слово "ВНИМАНИЕ" может использоваться без значка безопасности и в таком случае будет указывать на возможное повреждение или получение травмы, которые не связаны с продуктом.



**ВАЖНО:**

Комментарии с пометкой "ВАЖНО" содержат информацию, которая крайне важна для рассматриваемой темы, но не относится к категориям "ВНИМАНИЕ" или "ПРЕДУПРЕЖДЕНИЕ". Комментарии с пометкой "ВАЖНО" не связаны с какими-либо уровнями предупреждения.




**ПРИМЕЧАНИЕ:**

"ПРИМЕЧАНИЕ" содержит более важную информацию по сравнению с находящимся рядом текстом, например исключения или обязательные условия. Кроме того, примечания содержат ссылки на дополнительную информацию, напоминания о порядке выполнения действий (например, если они не входят в описание текущей процедуры) или сведения о местонахождении каких-либо элементов на экране. Примечания не связаны с какими-либо уровнями предупреждения.

# Условные обозначения: оформление

Используются следующие варианты оформления в качестве условных обозначений:

Условное обозначение	Описание
<b>Жирный</b>	Этот шрифт используется для названий, например окон, кнопок и меток, когда эти названия появляются на экране (например: "окно <b>Средство просмотра оповещений</b> "). Если из контекста понятно, что имеется в виду, например, кнопка, название используется отдельно (например: "Нажмите <b>ОК</b> ").
Monospacing font in bold	Этот шрифт используется для слов, которые необходимо ввести точно так, как они указаны в тексте (например: "В поле <b>Адрес</b> введите <code>http://ucs01.ucs:9080/</code> ").
Моноширинный шрифт	Этот шрифт используется для сообщений, запросов и другого текста, отображаемого на экране компьютера (например: "Добавлен новый пункт назначения ловушки").
<i>&lt;Monospacing font in bold Italic&gt;</i>	Этот шрифт используется с угловыми скобками в качестве заполнителей для определенного члена группы, который обозначается словами (например: <i>&lt;router number&gt;</i> ).
	 <b>ПРИМЕЧАНИЕ:</b> В последовательностях, которые необходимо ввести, угловые скобки опускаются, чтобы избежать путаницы с включением угловых скобок в текст для ввода.
<b>ЗАГЛАВНЫЕ БУКВЫ</b>	Этот шрифт используется для обозначения клавиш клавиатуры (например: "Нажмите <b>Y</b> , а затем нажмите <b>ENTER</b> ").
<i>Курсив</i>	Этот шрифт используется для цитирования. Цитата обычно является названием документа или фразой из другого документа (например: " <i>Общие сведения о системе Dimetra IP</i> ").
→	Значок → (стрелка, указывающая вправо) используется для указания структуры меню или вкладки в инструкциях по выбору определенного пункта меню (например: " <b>Файл</b> → <b>Сохранить</b> ") или вложенной вкладки меню.

# Содержание

<b>Сведения о технике безопасности и юридическая информация.....</b>	<b>2</b>
Примечания об интеллектуальной собственности и нормативных требованиях.....	2
Маркировки о сертификации.....	3
Контактный адрес.....	3
<b>Контактные данные.....</b>	<b>4</b>
<b>Условные обозначения: значки.....</b>	<b>5</b>
<b>Условные обозначения: оформление.....</b>	<b>6</b>
<b>Сведения по технике безопасности и воздействию излучаемой радиочастотной энергии.....</b>	<b>8</b>
<b>Глава 1 . Общие сведения о продукте.....</b>	<b>9</b>
1.1 Передача и прием.....	9
<b>Глава 2 . Рекомендации по эксплуатации RM760.....</b>	<b>11</b>
<b>Глава 3 . Подключение выносного модуля тангенты к радиостанции.....</b>	<b>12</b>
<b>Глава 4 . Отключение выносного модуля тангенты от радиостанции.....</b>	<b>13</b>
<b>Глава 5 . Рекомендуемый способ ношения.....</b>	<b>14</b>
<b>Глава 6 . Укладка и разводка кабелей.....</b>	<b>15</b>
<b>Глава 7 . Дополнительные аксессуары.....</b>	<b>16</b>
<b>Глава 8 . Запасные компоненты.....</b>	<b>17</b>
8.1 Замена спирального кабеля.....	17
8.2 Замена пылезащитной заглушки.....	18
8.3 Замена поворотного зажима.....	20
8.3.1 Отсоединение поворотного зажима.....	20
8.3.2 Установка поворотного зажима.....	21
<b>Глава 9 . Обслуживание и гарантия.....</b>	<b>22</b>

# Сведения по технике безопасности и воздействию излучаемой радиочастотной энергии

В настоящем документе содержатся важные инструкции по безопасной эксплуатации. Внимательно ознакомьтесь с этими инструкциями и сохраните их для дальнейшего использования в справочных целях.

## **ВНИМАНИЕ:**

Прежде чем использовать данный аксессуар, ознакомьтесь с настоящим руководством, в котором содержатся важные инструкции по безопасной эксплуатации, а также информация по воздействию радиочастотной энергии и контролю соответствия применимым стандартам и нормативным требованиям.

Выносной модуль тангенты (RSM), подключенный к радиостанции, предназначен только для профессиональной эксплуатации. Только при этом условии будет обеспечено соблюдение требований FCC/ICNIRP в отношении воздействия излучаемой радиочастотной энергии. Перед началом использования данного продукта ознакомьтесь с информацией о воздействии радиочастотной энергии, а также с инструкциями по эксплуатации, приведенными в буклете по технике безопасности и воздействию излучаемой радиочастотной энергии, прилагаемом к радиостанции, для соблюдения ограничений по воздействию радиочастотного излучения.

## **Акустическая безопасность**

Продолжительное воздействие звука с высоким уровнем громкости из любого источника может привести к временному или постоянному повреждению слуха. Чем выше громкость радиостанции, тем быстрее можно повредить слух.

Повреждение слуха из-за высокого уровня громкости может быть замечено не сразу и иметь накопительный эффект.

Для защиты слуха следуйте приведенным ниже инструкциям.

- Используйте минимальный уровень громкости, достаточный для выполнения требуемой задачи.
- Увеличивайте уровень громкости, только если вы находитесь в шумной окружающей обстановке.
- Уменьшайте уровень громкости перед подсоединением гарнитуры или наушника.
- Ограничьте время использования гарнитур или наушников при высоком уровне громкости.
- При использовании радиостанции без гарнитуры или наушника не прикладывайте динамик радиостанции непосредственно к уху.
- Если вы испытываете слуховой дискомфорт, слышите звон в ушах или речь звучит приглушенно, необходимо прекратить использование гарнитуры или наушника и проверить слух у врача. Чтобы изменить уровень громкости, см. *брошюру по безопасному использованию продукта* или ПО *CPS* для настройки конфигурации комплектов для наблюдения повышенной громкости (xL).



## Глава 1

# Общие сведения о продукте

В этом руководстве пользователя приводится описание выносного модуля тангенты IMPRES RM760 с защитой от ветра, большой размер, базовый (IP68), PMMN4140.

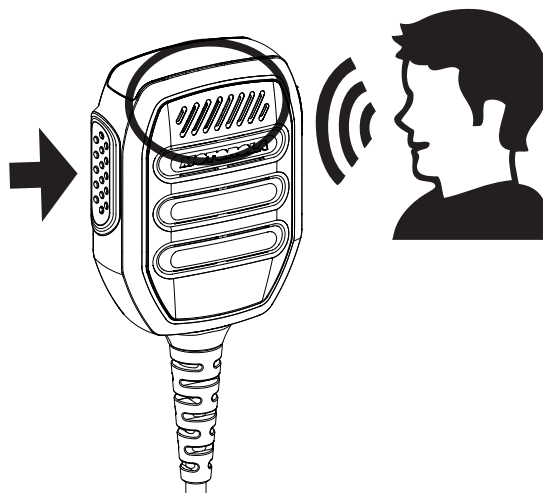


Номер	Описание
1	Кнопка PTT (Push-to-Talk)
2	Приемный аудиоразъем, 3,5 мм (без резьбы), с пылезащитной заглушкой

### 1.1

## Передача и прием

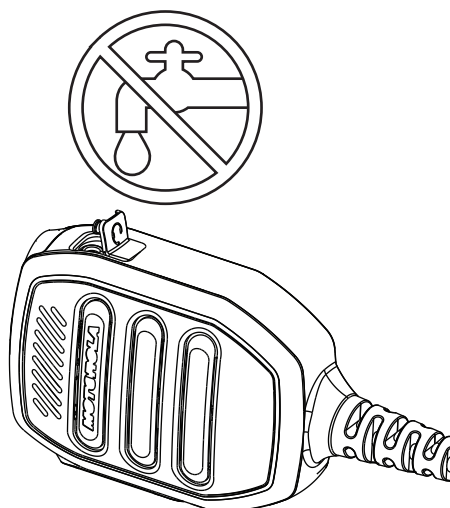
Рис. 1 . Передача



**Рис. 2 . Прием**



## Рекомендации по эксплуатации RM760



- Если аудиоразъем не используется для подключения наушника, закрывайте его пылезащитной заглушкой. Не допускайте попадания воды в аудиоразъем.
- Если в аудиоразъем попала вода, потрясите выносной модуль тангенты.

## Глава 3

# Подключение выносного модуля тангенты к радиостанции

### Процедура:

- 1 Подсоедините разъем выносного модуля тангенты к боковому разъему радиостанции.
- 2 Затяните соединительный винт по часовой стрелке до упора.



#### **ПРИМЕЧАНИЕ:**

Для обеспечения правильной работы выключите радиостанцию перед подключением выносного модуля тангенты к радиостанции. При подключении выносного модуля тангенты к радиостанции отключается динамик радиостанции, при этом микрофон и РТТ радиостанции продолжают работать.

## Глава 4

# Отключение выносного модуля тангенты от радиостанции

### Процедура:

- 1 Открутите винты и отсоедините разъем выносного модуля тангенты от бокового разъема радиостанции.
- 2 В аудиоразъеме выносного модуля тангенты должна быть установлена пылезащитная заглушка, когда дополнительный аксессуар не используется.

## Глава 5

# Рекомендуемый способ ношения

Рис. 3 . Способ ношения RM760



## Укладка и разводка кабелей

В этом разделе приведено описание рекомендуемого расположения кабеля.

Рис. 4 . Рекомендуется

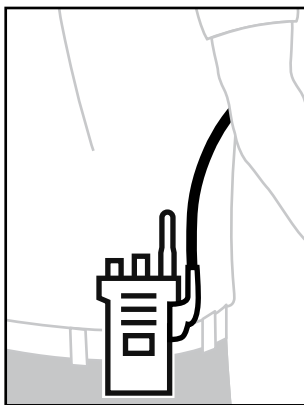
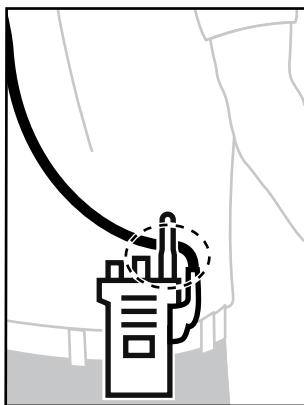


Рис. 5 . Не рекомендуются



Для обеспечения оптимального радиуса действия и удобства работы рекомендуется избегать ситуаций, в которых кабель для подключения аксессуара пересекается с антенной радиостанции.

**Глава 7**

# Дополнительные аксессуары

Нет	Описание
PMLN8120	Наушник с прозрачной трубкой, только для приема, XL, разъем 3,5 мм



## Запасные компоненты

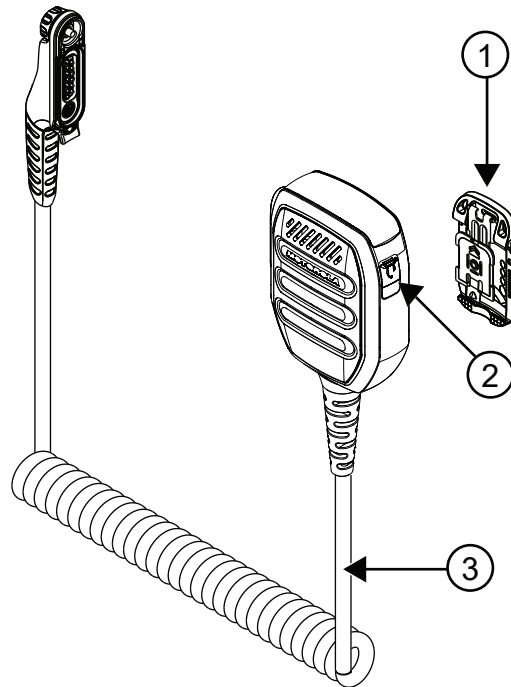


Табл. 1 . Выноски для запасных компонентов

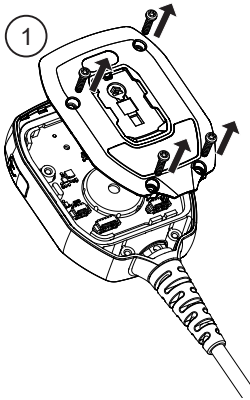
№	Описание
1	Низкопрофильный поворотный зажим (PMLN8121)
2	Пылезащитная заглушка, 10 шт. в упаковке (PMLN8122)
3	Спиральный кабель (PMKN4232)

### 8.1

## Замена спирального кабеля

### Процедура:

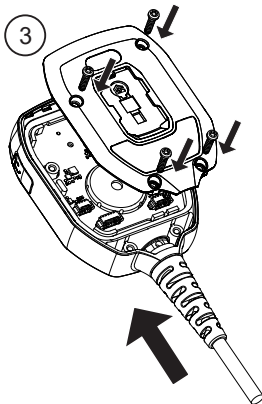
- 1 Открутите винты, чтобы разобрать выносной модуль тангенты.



2 Уберите кабель.



3 Соберите выносной модуль тангенты.

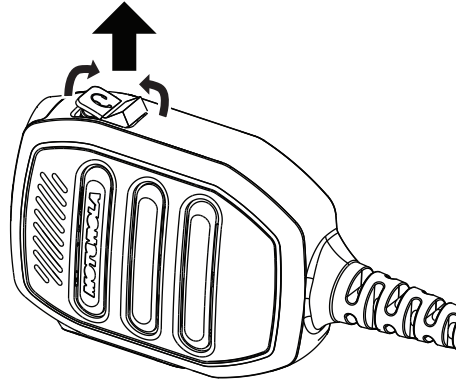


## 8.2

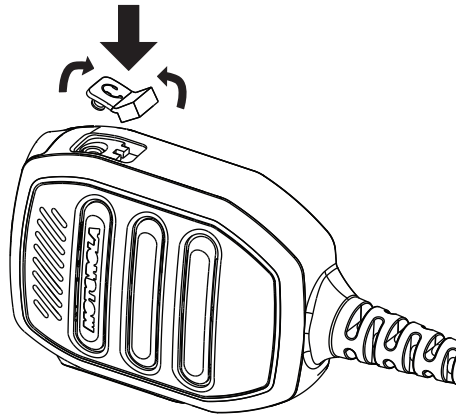
### Замена пылезащитной заглушки

#### Процедура:

- 1 Приподнимите пылезащитную заглушку за обе стороны.
- 2 Потяните пылезащитную заглушку, чтобы ее извлечь.



- 3 Согните пылезащитную заглушку.
- 4 Вставьте ее в соответствующий разъем.



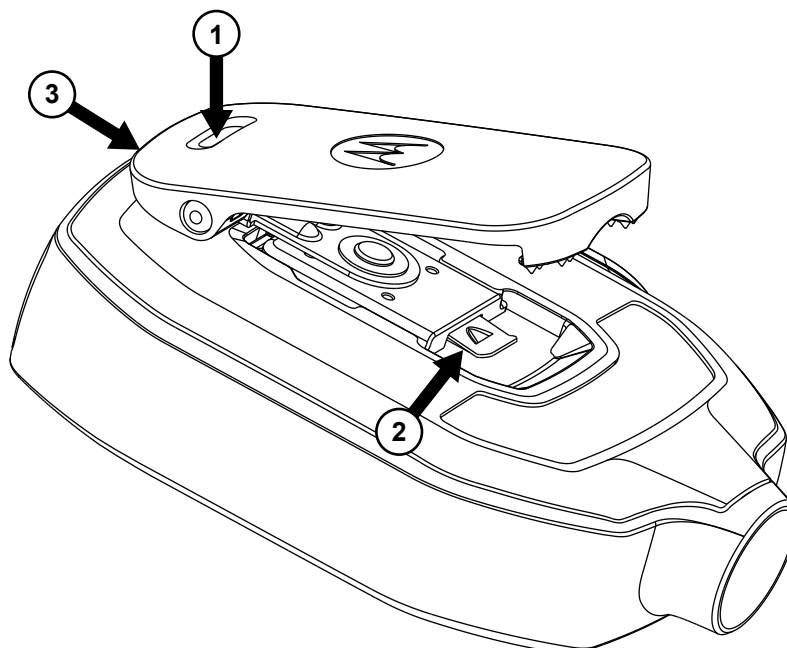
### 8.3

## Замена поворотного зажима

### 8.3.1

## Отсоединение поворотного зажима

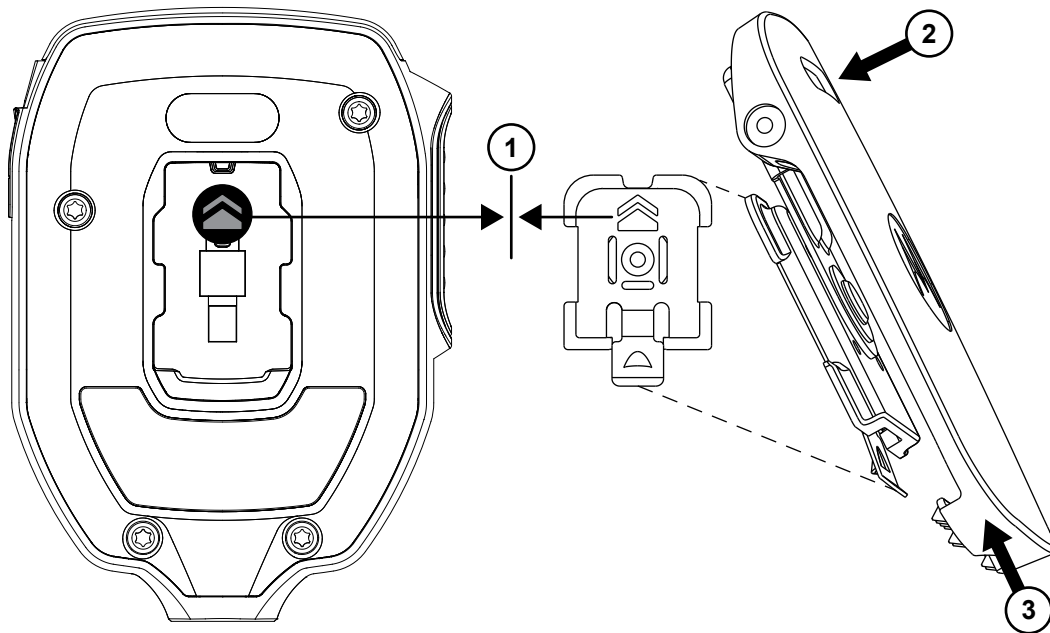
Процедура:



- 1 Нажмите на верхнюю часть зажима, чтобы поднять его в максимально высокое положение.
- 2 Поднимите нижний фиксатор.
- 3 Сдвиньте зажим, чтобы его снять.

8.3.2

**Установка поворотного зажима**



**Процедура:**

- 1 Сопоставьте и выровняйте значки стрелок и бортики.
- 2 Нажмите на верхнюю часть зажима.
- 3 Одновременно сдвиньте зажим вверх.

## Глава 9

# Обслуживание и гарантия

Выносной модуль тангенты PMMN4140 не подлежит ремонту, за исключением сменного кабеля в сборе, пылезащитной заглушки и зажима.

Motorola Solutions предоставляет гарантию на аксессуар. Чтобы получить подробную информацию, свяжитесь с дилером Motorola Solutions или обратитесь по месту покупки.



**ПРИМЕЧАНИЕ:**

Действие гарантии прекращается в случае замены клиентом любой детали, не указанной в списке запасных компонентов.



# Посібник користувача виносного мікрофона з динаміком PMMN4140 RM760 IMPRES (клас IP68) великого розміру, із функцією захисту від вітру

**КВІТЕНЬ 2022**

© 2022 Motorola Solutions, Inc. All rights reserved



MN008152A01-AB

# Інформація про безпечність і правові норми

Цей розділ містить інформацію щодо безпечності цього виробу та застосовних правових норм.

## Інформація щодо інтелектуальної власності та відповідності нормативним вимогам

### Авторські права

Вироби компанії Motorola Solutions, що описані в цьому документі, можуть містити захищені авторськими правами комп'ютерні програми Motorola Solutions. Закони в США та інших країнах зберігають за компанією Motorola Solutions певні виняткові права на захищені авторським правом комп'ютерні програми. Зважаючи на це, заборонено в будь-який спосіб копіювати або відтворювати будь-які захищені авторськими правами комп'ютерні програми компанії Motorola Solutions, що входять до складу описаних у цьому документі продуктів компанії Motorola Solutions, без попередньої письмової згоди Motorola Solutions.

Жодну частину цього документа не можна відтворювати, передавати, зберігати в системі пошуку або перекладати будь-якою мовою, зокрема комп'ютерною, у будь-якій формі й будь-якими засобами без попереднього письмового дозволу компанії Motorola Solutions, Inc.

### Торгові марки

MOTOROLA, MOTO, MOTOROLA SOLUTIONS і стилізований логотип «M» є торговими марками або зареєстрованими товарними знаками компанії Motorola Trademark Holdings, LLC та використовуються за ліцензією. Усі інші торгові марки належать відповідним власникам.

### Права на ліцензії

Придбання продуктів Motorola Solutions не слід вважати наданням прямо, опосередковано, через позбавлення права заперечення (естопель) або іншим чином жодних ліцензій на об'єкти авторського права, патенти або патентні заявки компанії Motorola Solutions, окрім звичайної невиключної безоплатної (royalty-free) ліцензії на використання, передбаченої законом для випадків продажу продукту.

### Відкритий вихідний код

Цей продукт може містити програмне забезпечення з відкритим вихідним кодом, що використовується за ліцензією. Повна інформація стосовно правових положень щодо програмного забезпечення з відкритим кодом і авторських прав міститься на носії встановлення продукту.

### Директива Європейського союзу (ЄС) й Сполученого Королівства щодо відпрацьованого електричного й електронного обладнання (WEEE)



Згідно з директивою Європейського союзу й Сполученого Королівства WEEE, на продуктах, що продаються в країнах ЄС або Сполученому Королівстві, має бути наклейка з перекресленим кошиком для сміття (або, у деяких випадках, на упаковці). Як визначено директивою WEEE, така наклейка з перекресленим сміттєвим кошиком на коліщатках означає, що споживачам і



кінцевим користувачам у країнах ЄС та Сполученому Королівстві не слід утилізувати електронне й електричне обладнання чи аксесуари разом із побутовими відходами.

Споживачі чи кінцеві користувачі в країнах ЄС та Сполученому Королівстві мають звернутися до місцевого представника постачальника обладнання чи сервісного центру для отримання інформації про систему збору відходів у їхній країні.

### **Обмеження відповідальності**

Зверніть увагу, що певні характеристики, об'єкти й можливості, описані в цьому документі, можуть бути недоступні або неліцензовані для використання в конкретній системі або можуть залежати від характеристик конкретного пристрою мобільного зв'язку чи конфігурації деяких параметрів. По додаткову інформацію звертайтеся до компанії Motorola Solutions через свою контактну особу.

© Motorola Solutions, Inc., 2022. Усі права захищено.

### **Знаки відповідності**



### **Контактна адреса**

#### **У Європейському союзі**

Motorola Solutions ,  
Czerwone Maki 82,  
30-392 Krakow, Poland (Польща)

#### **У Сполученому Королівстві**

Motorola Solutions UK Ltd.,  
Nova South, 160 Victoria Street,  
London, SW1E 5LB,  
United Kingdom (Сполучене Королівство)

#### **Контактна інформація**

Моторола Солюшинс Системз Польща  
вул. Червоне Маки, 82,  
30-392 Краків,  
Польща

# Зв'язок із нами

Центр технічної підтримки (Solutions Support Center, SSC) – основне місце, куди ви можете звернутися по технічну допомогу згідно з договором про обслуговування між вашою організацією й компанією Motorola Solutions.

Клієнти, які уклали договір про обслуговування, мають звертатися до SSC в усіх ситуаціях, що наведені в розділі про зобов'язання клієнта в їхньому договорі, зокрема:

- перед повторним завантаженням програмного забезпечення;
- для підтвердження результатів пошуку й усунення несправностей та аналізу перед будь-якими діями.

Вашій організації було надано номери телефонів служби підтримки й іншу контактну інформацію для вашого географічного регіону та договору про обслуговування. Ці дані дадуть вам змогу отримати відповіді на ваші питання в найефективніший спосіб. Але за потреби ви можете знайти загальні номери служби підтримки на сайті Motorola Solutions, виконавши наведені далі дії.

- 1 Введіть в адресному рядку браузера [motorolasolutions.com](https://motorolasolutions.com).
- 2 Переконайтеся, що на сторінці вказано країну або регіон знаходження вашої організації. Щоб змінити регіон, натисніть його назву.
- 3 Виберіть Support (Підтримка) на сторінці [motorolasolutions.com](https://motorolasolutions.com).

## Коментарі

Надсилайте свої запитання й коментарі щодо документації для користувачів за адресою [documentation@motorolasolutions.com](mailto:documentation@motorolasolutions.com).

Укажіть у своєму повідомленні про помилку в документації таку інформацію:

- назву документа й номер виробу за каталогом;
- номер сторінки й назву розділу, де виявлено помилку;
- опис помилки.

Компанія Motorola Solutions пропонує різні курси, які допоможуть вам розібратися із системою. Інформацію про доступні курси й навчальні плани щодо технологічних рішень див. на сайті <https://learning.motorolasolutions.com>.

# Графічні символи

Цей документ містить візуальні підказки для читачів. У ньому використовуються наведені нижче графічні символи.



**НЕБЕЗПЕКА:** Слово «НЕБЕЗПЕКА» з відповідним значком застереження вказує на інструкції, недотримання яких спричинить смерть або тяжку травму.



**ПОПЕРЕДЖЕННЯ:** Слово «ПОПЕРЕДЖЕННЯ» з відповідним значком застереження вказує на інструкції, недотримання яких може спричинити смерть, тяжку травму чи значне пошкодження виробу.



**ЗАСТЕРЕЖЕННЯ:** Слово «УВАГА» з відповідним значком застереження вказує на інструкції, недотримання яких може спричинити травму легкого або середнього ступеня тяжкості чи значне пошкодження виробу.

**ЗАСТЕРЕЖЕННЯ:** Слово «УВАГА» без значка застереження вказує на можливе пошкодження або травму, які не пов'язані з виробом.




**ВАЖЛИВО:** Повідомлення зі словом «ВАЖЛИВО» містять інформацію, яка є важливою в поточному контексті, але не належить до категорії «УВАГА» або «ПОПЕРЕДЖЕННЯ». З повідомленням категорії «ВАЖЛИВО» не пов'язано жодного рівня серйозності попереджень.



**ПРИМІТКА:** Слово «ПРИМІТКА» вказує на інформацію, яка є важливішою, ніж текст навколо неї, наприклад винятки або застереження. Примітки також містять посилання на додаткову інформацію, нагадують читачеві, як виконати ту чи іншу дію (яка, наприклад, не є частиною поточної процедури), або вказують на розташування певного елемента на екрані. З приміткою не пов'язано жодного рівня серйозності попереджень.

# Графічні позначення

У посібнику використовуються наведені нижче графічні позначення.

Позначення	Опис
<b>Жирний шрифт</b>	Цей шрифт використовується в назвах елементів (наприклад, вікон, кнопок і надписів), які відображаються на екрані (приклад: вікно <b>Браузер сповіщень</b> ). Якщо зрозуміло, який саме елемент мається на увазі (наприклад, кнопка), його назва використовується окремо (приклад: натисніть <b>ОК</b> ).
Monospacing font in bold	Цей шрифт використовується в тексті, який слід вводити саме так, як він наведений у посібнику (приклад: у полі <b>Адреса</b> введіть <code>http://ucs01.ucs:9080/</code> ).
Моноширинний шрифт	Цей шрифт використовується в повідомленнях, запитах та іншому тексті, який відображається на екрані комп'ютера (приклад: Додано нового адресата переривання).
<i>&lt;Monospacing font in bold Italic&gt;</i>	Цей шрифт використовується в кутових дужках для позначення покажчиків місця заповнення, замість яких має бути певний елемент групи, на який вказує такий покажчик (наприклад: <i>&lt;router number&gt;</i> ).
	 <b>ПРИМІТКА:</b> У послідовностях символів, які треба вводити, кутові дужки не використовуються, щоб уникнути непорозуміння стосовно того, чи слід вводити дужки разом з іншим текстом.
ВЕЛИКІ ЛІТЕРИ	Таким чином позначаються клавіші на клавіатурі (приклад: натисніть Y, а потім ENTER).
<i>Курсив</i>	Цей стиль використовується в цитатах. Цитата – це зазвичай назва документа або фраза з іншого документа (приклад: <i>Огляд IP-системи Dimetra</i> ).
→	Стрілка праворуч (→) вказує на структуру меню або вкладок в інструкціях щодо вибору певного пункту меню (приклад: <b>Файл</b> → <b>Зберегти</b> ) або певної дочірньої вкладки.

# Зміст

<b>Інформація про безпечність і правові норми.....</b>	<b>2</b>
Інформація щодо інтелектуальної власності та відповідності нормативним вимогам.....	2
Знаки відповідності.....	3
Контактна адреса.....	3
<b>Зв'язок із нами.....</b>	<b>4</b>
<b>Графічні символи.....</b>	<b>5</b>
<b>Графічні позначення.....</b>	<b>6</b>
<b>Відомості щодо впливу енергії радіочастотного випромінювання й     посібник із безпечної експлуатації виробу.....</b>	<b>8</b>
<b>Розділ 1 . Огляд виробу.....</b>	<b>9</b>
1.1 Передача та прийом.....	9
<b>Розділ 2 . Практичні рекомендації для RM760.....</b>	<b>11</b>
<b>Розділ 3 . Під'єднання виносного мікрофона з динаміком до     радіостанції.....</b>	<b>12</b>
<b>Розділ 4 . Від'єднання виносного мікрофона з динаміком від     радіостанції.....</b>	<b>13</b>
<b>Розділ 5 . Рекомендований спосіб носіння.....</b>	<b>14</b>
<b>Розділ 6 . Розташування кабелю.....</b>	<b>15</b>
<b>Розділ 7 . Додаткові аксесуари.....</b>	<b>16</b>
<b>Розділ 8 . Змінні частини.....</b>	<b>17</b>
8.1 Заміна спірального шнура.....	17
8.2 Заміна пилозахисної кришки.....	18
8.3 Заміна поворотного затискача.....	20
8.3.1 Від'єднання поворотного затискача.....	20
8.3.2 Кріплення поворотного затискача.....	21
<b>Розділ 9 . Обслуговування й гарантія.....</b>	<b>22</b>

# Відомості щодо впливу енергії радіочастотного випромінювання й посібник із безпечної експлуатації виробу

Цей документ містить важливі інструкції щодо техніки безпеки й експлуатації. Уважно прочитайте ці інструкції та збережіть їх для подальшого використання.

## **ЗАСТЕРЕЖЕННЯ:**

Перед використанням аксесуара прочитайте цей посібник, який містить важливі інструкції з безпечної експлуатації та інформацію про РЧ-енергію та регулювання впливу такої енергії для забезпечення відповідності вимогам стандартів і норм.

Відповідно до вимог Федеральної комісії США зі зв'язку (FCC) / Міжнародної комісії із захисту від неіонізуючого випромінювання (ICNIRP) щодо рівнів радіочастотного випромінювання, радіостанція з під'єднаним виносним переговорним пристроєм (RSM) призначена виключно для професійного використання. Перед використанням цього виробу прочитайте настанову щодо експлуатації та ознайомтеся з відомостями щодо рівня радіочастотного випромінювання, наведеними в брошурі «Безпечність виробу та рівні радіочастотного випромінювання», що входить до комплекту радіостанції, для забезпечення відповідності вимогам щодо обмеження впливу РЧ-енергії.

## **Безпека органів слуху**

Тривалий гучний шум будь-якого походження може тимчасово або назавжди пошкодити слух. Що вищу гучність радіостанції встановлено, то менше часу нею можна користуватися без ризику для слуху.

Погіршення слуху через гучний шум не завжди виявляється одразу, воно може розвиватися поступово.

Дотримуйтеся цих правил, щоб запобігти пошкодженню слуху:

- використовуйте найменшу гучність, необхідну для виконання роботи;
- збільшуйте гучність лише в середовищі із сильним шумом;
- зменшуйте гучність перед підключенням гарнітури або навушників;
- обмежуйте час використання будь-яких гарнітур або навушників за високої гучності;
- використовуючи радіостанцію без гарнітури або навушників, не прикладайте динамік радіостанції безпосередньо до вуха;
- якщо ви відчуваєте слуховий дискомфорт, у вухах дзвенить, а голос звучить приглушено, припиніть користуватися радіостанцією через гарнітуру чи навушники й зверніться до лікаря для перевірки слуху. Щоб змінити рівень гучності, див. *буклет із техніки безпеки для радіопристрою або ПЗ для індивідуального програмування (CPS)* для налаштування комунікаційного комплекту підвищеної гучності.

## Розділ 1

# Огляд виробу

У цьому посібнику користувача описано базовий виносний мікрофон із динаміком RM760 IMPRES (клас IP68) великого розміру з функцією захисту від вітру, PMMN4140.

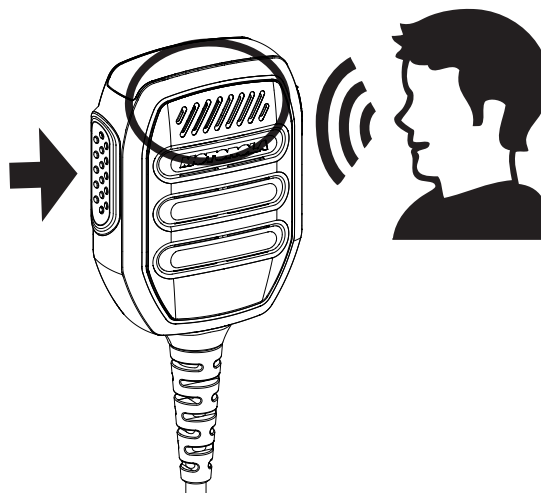


Номер	Опис
1	Тангента
2	Аудіороз'єм 3,5 мм лише для прийому (без різьби) з пилозахисною кришкою

### 1.1

## Передача та прийом

Рисунок 1 . Передача



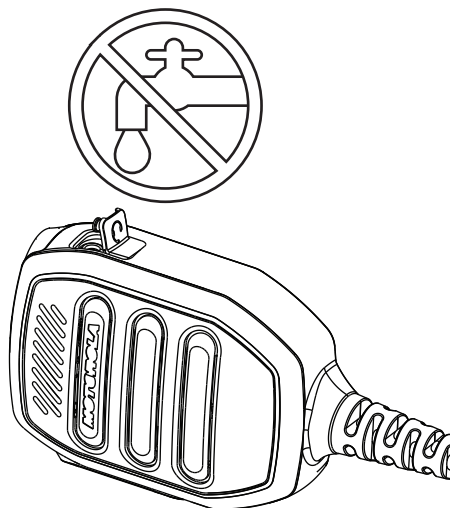
**Рисунок 2 . Прием**





## Розділ 2

# Практичні рекомендації для RM760



- Коли до аудіороз'єму не під'єднано навушники, накривайте його пилозахисною кришкою. Не допускайте потрапляння вологи в аудіороз'єм.
- Якщо в аудіороз'єм потрапила рідина, потрясіть виносний мікрофон із динаміком, щоб видалити її.

## Розділ 3

# Під'єднання виносного мікрофона з динаміком до радіостанції

### Процедура:

- 1 Вставте роз'єм виносного мікрофона з динаміком у гніздо збоку на радіостанції.
- 2 Вкрутіть роз'єм у гніздо за годинниковою стрілкою.



**ПРИМІТКА:** Для забезпечення правильної роботи пристрою вимкніть радіостанцію перед підключенням виносного мікрофона з динаміком. У разі підключення виносного мікрофона з динаміком убудований динамік радіостанції не працюватиме, а вбудований мікрофон і тангента (РТТ) залишаться активними.

## Розділ 4

# Від'єднання виносного мікрофона з динаміком від радіостанції

### Процедура:

- 1 Відкрутіть роз'єм виносного мікрофона з динаміком і вийміть його з гнізда на бічній панелі радіостанції.
- 2 Коли до виносного мікрофона з динаміком не підключено додаткове приладдя, його аудіороз'єм має бути закритий пилозахисною кришкою.

## Розділ 5

# Рекомендований спосіб носіння

Рисунок 3 . Спосіб носіння RM760

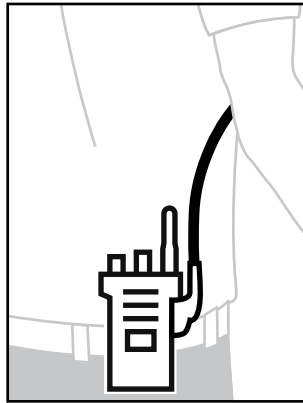


## Розділ 6

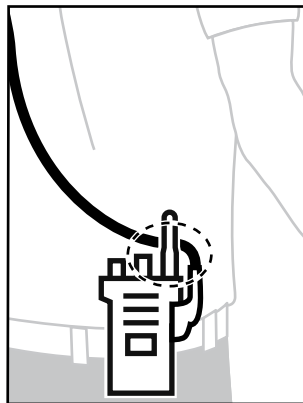
# Розташування кабелю

У цьому розділі описано рекомендоване положення кабелю.

**Рисунок 4 . Рекомендовано**



**Рисунок 5 . Не рекомендовано**



Для забезпечення оптимальної робочої довжини рекомендується уникати перетинів кабелю аксесуара з антеною радіопристрою.

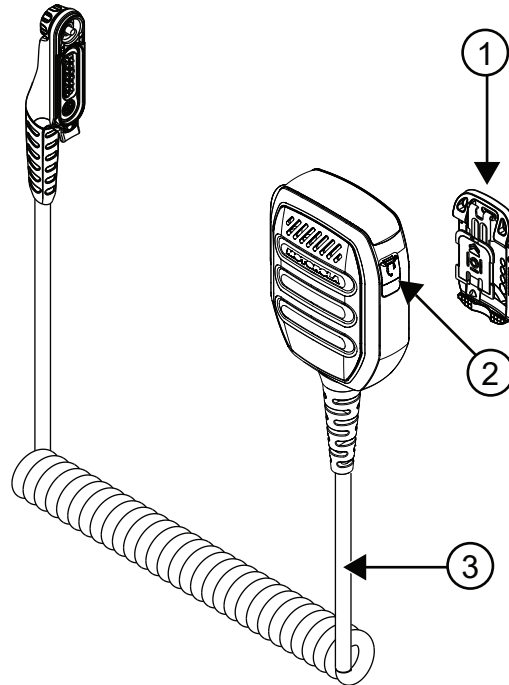
## Розділ 7

# Додаткові аксесуари

Номер	Описи
PMLN8120	Навушник підвищеної гучності з прозорою трубкою, роз'єм 3,5 мм (лише прийом)

## Розділ 8

# Змінні частини



Таблиця 1 . Позначення змінних частин

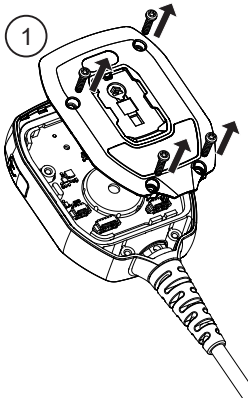
Номер	Описи
1	Тонкий поворотний затискач (PMLN8121)
2	Пилозахисна кришка, 10 шт./комплект (PMLN8122)
3	Спіральний шнур (PMKN4232)

### 8.1

## Заміна спірального шнура

### Процедура:

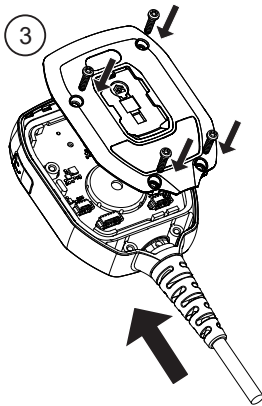
- 1 Викрутіть гвинти та зніміть кришку виносного мікрофона з динаміком.



2 Від'єднайте шнур.



3 Зберіть виносний мікрофон із динаміком і закрутіть гвинти.



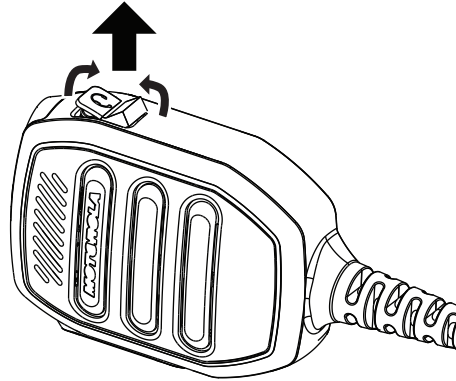
## 8.2

### Заміна пилозахисної кришки

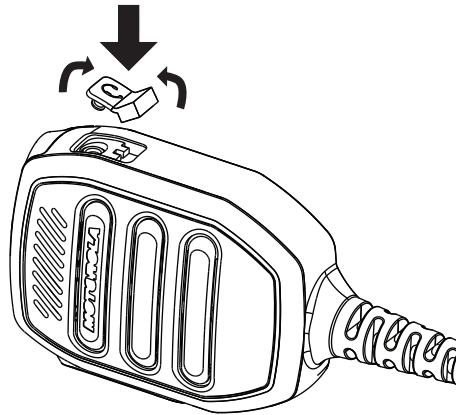
#### Процедура:

- 1 Підніміть обидві сторони пилозахисної кришки.
- 2 Потягніть за кришку, щоб зняти її.





- 3 Зігніть пилозахисну кришку.
- 4 Вставте кришку в призначений для неї отвір.



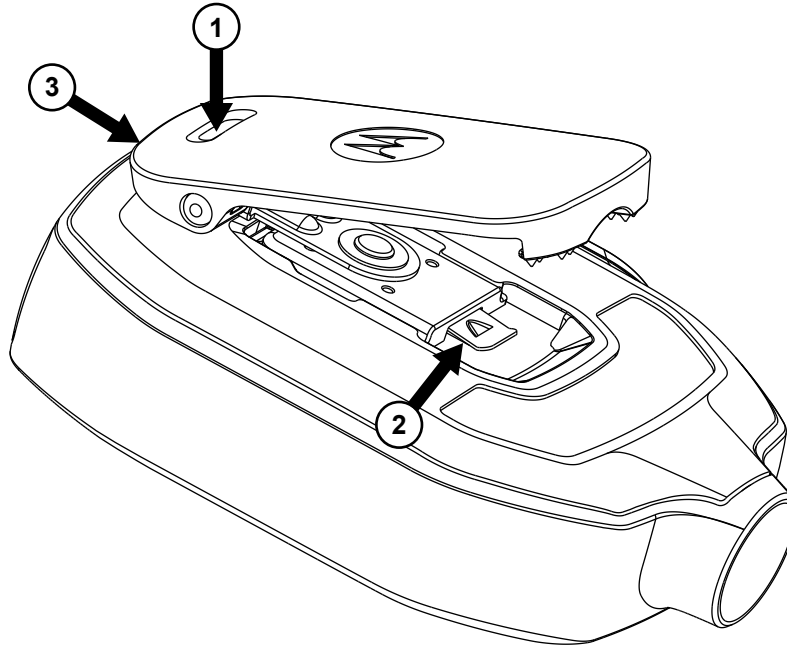
### 8.3

## Заміна поворотного затискача

### 8.3.1

## Від'єднання поворотного затискача

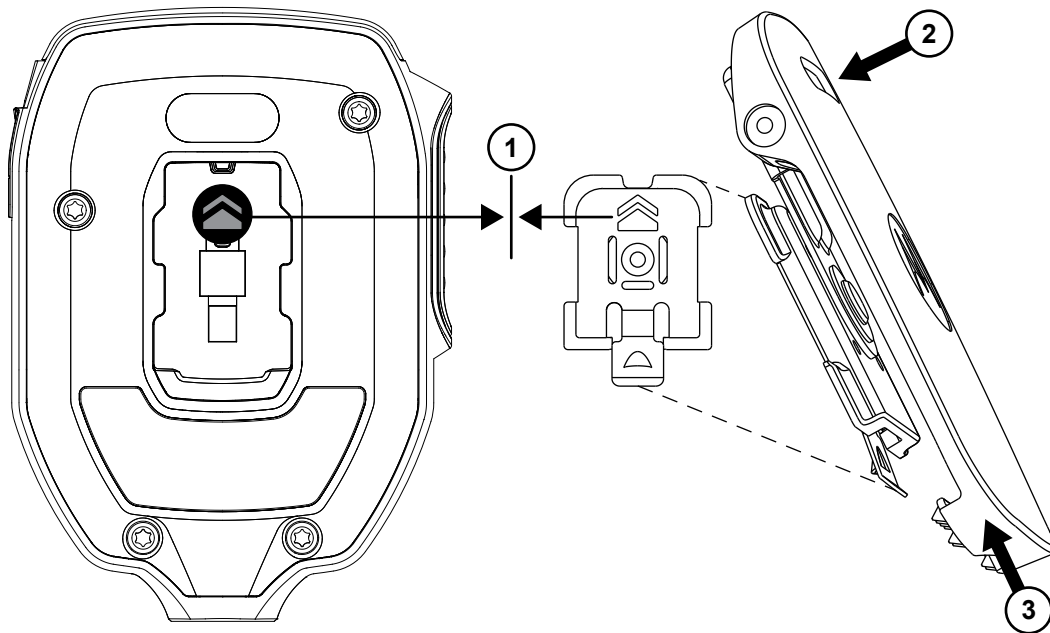
Процедура:



- 1 Натисніть на верхню частину затискача та посуньте його вгору до упору.
- 2 Підніміть нижній фіксатор.
- 3 Зсуньте рухому частину й зніміть затискач.

8.3.2

### Кріплення поворотного затискача



**Процедура:**

- 1 Сумістіть позначки-стрілки та бічні виступи.
- 2 Натисніть зверху на затискач.
- 3 Одночасно посуньте рухому частину затискача вгору.

## Розділ 9

# Обслуговування й гарантія

Жодна частина виносного мікрофона з динаміком PMMN4140, окрім змінного кабелю з роз'ємами, пилозахисної кришки й затискача, не підлягає ремонту.

Компанія Motorola Solutions надає гарантію на ваш пристрій. Щоб дізнатися більше, зверніться до дилера компанії Motorola Solutions або магазину, де ви придбали пристрій.



**ПРИМІТКА:** Дія гарантії припиняється в разі заміни клієнтом будь-якої деталі, відсутньої в списку змінних деталей.



# دليل المستخدم لميكروفون IMPRES طراز PMMN4140 RM760 من نوع Windporting المزوّد بسماعة عن بُعد، المقاس الكبير (IP68)

أبريل 2022



# معلومات السلامة والمعلومات القانونية

يوفر هذا القسم معلومات السلامة والمعلومات القانونية الخاصة بهذا المنتج.

## الملكية الفكرية والإشعارات التنظيمية

### حقوق الطبع والنشر

قد تتضمن منتجات Motorola Solutions الموضحة في هذا المستند برامج كمبيوتر خاصة بشركة Motorola Solutions محمية بموجب حقوق الطبع والنشر. وتحفظ القوانين في الولايات المتحدة وبلدان أخرى لشركة Motorola Solutions حقوقاً حصرياً معينة في برامج الكمبيوتر المحمية بموجب حقوق الطبع والنشر. وبناءً عليه، لا يجوز نسخ أي برامج كمبيوتر خاصة بشركة Motorola Solutions محمية بموجب حقوق الطبع والنشر تتضمنها منتجات Motorola Solutions الموضحة في هذا المستند أو إعادة إنتاجها بأي طريقة من دون الحصول على إذن كتابي صريح من شركة Motorola Solutions.

لا تجوز إعادة إنتاج أي جزء من هذا المستند أو إرساله أو تخزينه في نظام استرداد أو ترجمته إلى أي لغة أو لغة الكمبيوتر، بأي صورة أو أي طريقة، من دون الحصول على إذن كتابي سابق من شركة Motorola Solutions, Inc.

### العلامات التجارية

إن MOTOROLA وMOTO وMOTOROLA SOLUTIONS وشعار M النمطي هي علامات تجارية أو علامات تجارية مسجلة لشركة Motorola Trademark Holdings, LLC وتُستخدم بموجب ترخيص. وكل العلامات التجارية الأخرى مملوكة لمالكها المعنيين.

### حقوق الترخيص

لا يُعد شراء منتجات Motorola Solutions بمنزلة منح مباشر أو ضمني، أو بالوقف أو غير ذلك، لأي ترخيص بموجب حقوق الطبع والنشر أو براءات الاختراع أو طلبات تسجيل براءات الاختراع الخاصة بشركة Motorola Solutions، باستثناء ترخيص الاستخدام العادي غير الحصري الخالي من رسوم حقوق المؤلف الذي ينشأ بموجب أعمال القانون في عملية بيع المنتج.

### المحتوى مفتوح المصدر

قد يحتوي هذا المنتج على برامج مفتوحة المصدر تُستخدم بموجب ترخيص. راجع وسائط تثبيت المنتج للاطلاع على المحتوى الكامل للإسناد والإشعارات القانونية الخاصة بالمصدر المفتوح.

## توجيه الاتحاد الأوروبي (EU) والمملكة المتحدة (UK) بشأن نفايات المعدات الكهربائية والإلكترونية (WEEE)



يتطلب توجيه الاتحاد الأوروبي وكذلك لائحة المملكة المتحدة بشأن نفايات المعدات الكهربائية والإلكترونية (WEEE) أن تتضمن المنتجات المباعة في دول الاتحاد الأوروبي والمملكة المتحدة ملصقاً يحمل شكل صندوق نفايات بعجلة عليه علامة خطأ على المنتج نفسه (أو على العبوة في بعض الحالات). وطبقاً لما ينص عليه التوجيه الخاص بنفايات المعدات الكهربائية والإلكترونية (WEEE)، فإن هذا الملصق الذي يحمل شكل صندوق نفايات بعجلة عليه علامة خطأ يعني أنه يجب على العملاء والمستخدمين النهائيين في دول الاتحاد الأوروبي والمملكة المتحدة عدم التخلص من المعدات أو الملحقات الإلكترونية والكهربائية في النفايات المنزلية.

يجب على العملاء أو المستخدمين النهائيين في دول الاتحاد الأوروبي والمملكة المتحدة الاتصال بمندوب مورد الأجهزة أو مركز الخدمة المحلي للحصول على معلومات حول نظام تجميع النفايات في بلادهم.

### إخلاء المسؤولية

يُرجى العلم أن ثمة ميزات ووسائل مساعدة وإمكانات معينة موضحة في هذا المستند قد لا تكون سارية أو مرخصة للاستخدام في نظام معين، أو ربما تعتمد على خصائص وحدة مشترك معينة خاصة بالأجهزة المحمولة أو تكوينات معينة. يُرجى الرجوع إلى جهة اتصال Motorola Solutions لمزيد من المعلومات.

حقوق الطبع والنشر © 2022 لشركة Motorola Solutions, Inc. كل الحقوق محفوظة

## علامات الشهادات



## عنوان جهة الاتصال

جهة الاتصال في الاتحاد الأوروبي

Motorola Solutions,

Czerwone Maki 82,

30-392 Krakow, Poland

جهة الاتصال في المملكة المتحدة

Motorola Solutions UK Ltd.,

Nova South, 160 Victoria Street,

London, SW1E 5LB,

United Kingdom

## Контактна інформація

Моторола Солюшинс Системз Польща

вул. Червоне Маки, 82,

30-392 Краків,

Польща

## اتصل بنا

مركز دعم الحلول (SSC) هو جهة الاتصال الأساسية للدعم الفني الوارد في اتفاقية الخدمة الخاصة بمؤسستك مع Motorola Solutions. يجب أن يحرص عملاء اتفاقية الخدمة على الاتصال بمركز دعم الحلول (SSC) في كل الحالات الواردة ضمن "مسؤوليات العميل" في الاتفاقية الخاصة بهم، على سبيل المثال:

- قبل إعادة تحميل البرنامج
  - لتأكيد النتائج والتحليلات المتعلقة باكتشاف الأخطاء وإصلاحها قبل اتخاذ أي إجراء
- تسلمت مؤسستك أرقام هواتف الدعم ومعلومات جهة الاتصال الأخرى المناسبة لمنطقتك الجغرافية واتفاقية الخدمة. استخدم معلومات الاتصال للحصول على الاستجابة الأكثر فعالية. ولكن إذا تطلب الأمر فإنه يمكنك العثور كذلك على معلومات اتصال الدعم العام على موقع Motorola Solutions على الويب من خلال اتباع الخطوات الآتية:
- 1 أدخل العنوان [motorolasolutions.com](http://motorolasolutions.com) في المستعرض.
  - 2 تأكد من أن البلد أو المنطقة التي توجد بها مؤسستك معروضة على الصفحة. يوفر الضغط على اسم المنطقة أو النقر فوقه طريقة لتغييره.
  - 3 حدد "الدعم" على صفحة [motorolasolutions.com](http://motorolasolutions.com).

### التعليقات

يمكنك إرسال الاستفسارات والتعليقات المتعلقة بمستندات المستخدم إلى [documentation@motorolasolutions.com](mailto:documentation@motorolasolutions.com).

قدّم المعلومات الآتية عند الإبلاغ بخطأ في المستندات:

- عنوان المستند ورقم قطعة الغيار
  - رقم الصفحة أو عنوان القسم الذي يشتمل على الخطأ
  - وصف للخطأ
- توفر Motorola Solutions دورات تدريبية مختلفة مصممة للمساعدة على التعرف على النظام. للحصول على المعلومات، انتقل إلى العنوان <https://learning.motorolasolutions.com> لمشاهدة عروض الدورات التدريبية والمسارات التكنولوجية الحالية.



## اصطلاحات الرموز

تم تصميم مجموعة الوثائق لتزويد القارئ بمزيد من التلميحات المرئية. وتُستخدم الرموز الرسومية الآتية في مجموعة الوثائق بأكملها.

**خطر:** تدل الكلمة البارزة "خطر" مع رمز السلامة المرتبط بها على معلومات قد تؤدي، في حالة تجاهلها، إلى الوفاة أو التعرض لإصابة خطيرة.



**تحذير:** تشير الكلمة البارزة "تحذير" مع رمز السلامة المرتبط بها إلى معلومات قد تؤدي، في حالة تجاهلها، إلى الوفاة أو التعرض لإصابة خطيرة أو حدوث أضرار جسيمة في المنتج.



**تنبيه:** تشير الكلمة البارزة "تنبيه" مع رمز السلامة المرتبط بها إلى معلومات قد تؤدي، في حالة تجاهلها، إلى التعرض لإصابة طفيفة أو متوسطة أو حدوث أضرار جسيمة في المنتج.



**تنبيه:** قد تُستخدم الكلمة البارزة "تنبيه" من دون رمز السلامة للإشارة إلى ضرر أو إصابة محتملة غير مرتبطة بالمنتج.

**هام:** تحتوي البيانات "المهمة" على معلومات ضرورية للمناقشة الجارية ولكنها ليست تنبيهًا أو تحذيرًا. لا يوجد مستوى تحذير مرتبط بالبيان "المهم".



**ملاحظة:** تتضمن "الملاحظة" معلومات أهم من النص المحيط، مثل الاستثناءات أو الشروط السابقة. توجه الملاحظات كذلك القارئ إلى مكان آخر للحصول على معلومات إضافية أو تُذكره بكيفية إكمال الإجراء (عندما لا يكون جزءًا من الإجراء الحالي مثلًا) أو تخبره بموقع شيء ما على الشاشة. لا يوجد مستوى تحذير مرتبط بالملاحظة.



## اصطلاحات الأنماط

تُستخدم اصطلاحات الأنماط الآتية:

الوصف	الاصطلاح
يُستخدم هذا المحرف مع أسماء مثل أسماء النوافذ والأزرار والتسميات، عندما تظهر هذه الأسماء على الشاشة (مثال: نافذة <b>مستعرض الإنترنت</b> ). وعندما يكون من الواضح أننا نشير إلى زر مثلاً، يُستخدم الاسم وحده (مثال: انقر فوق <b>موافق</b> ).	غامق
يُستخدم هذا المحرف للكلمات المراد كتابتها تماماً كما تظهر في النص (مثال: في حقل العنوان، اكتب <a href="http://ucs01.ucs:9080">./http://ucs01.ucs:9080</a> ).	Monospacing font in bold
يُستخدم هذا المحرف للرسائل والمطالبات والنصوص الأخرى التي تظهر على شاشة الكمبيوتر (مثال: تمت إضافة وجهة تراكب جديدة).	الخط أحادي المسافة
يُستخدم هذا المحرف مع الأقواس المعقوفة كعناصر نائية لعضو محدد في المجموعة التي تمثلها الكلمات (مثال: <b>&lt;router number&gt;</b> ).	<b>Monospacing font</b> <b>&lt;in bold italic</b>
<b>ملاحظة:</b> في التسلسلات المراد كتابتها، يتم حذف الأقواس المعقوفة لتجنب الالتباس مع الأقواس المعقوفة الواجب تضمينها في النص المراد كتابته. 	
يُستخدم هذا المحرف لمفاتيح لوحة المفاتيح (مثال: اضغط على المفتاح Y، ثم اضغط على المفتاح ENTER).	الأحرف الكبيرة
يُستخدم هذا المحرف مع الاقتباسات. يكون الاقتباس عادة اسم مستند أو عبارة من مستند آخر (مثال: نظرة عامة على نظام <b>Dimetra IP</b> ).	مائل
يُستخدم ← (السهم المتجه إلى اليسار) للإشارة إلى بنية القائمة أو علامة التبويب في التعليمات الخاصة بكيفية تحديد عنصر قائمة معين (مثال: <b>ملف</b> →حفظ) أو علامة تبويب فرعية معينة.	←

## المحتويات

2	معلومات السلامة والمعلومات القانونية
2	الملكية الفكرية والإشعارات التنظيمية
3	علامات الشهادات
3	عنوان جهة الاتصال
4	اتصل بنا
5	اصطلاحات الرموز
6	اصطلاحات الأتماط
8	دليل أمان المنتج والتعرض لطاقة التردد اللاسلكي
9	الفصل 1 : نظرة عامة على المنتج
9	1.1 الإرسال والاستقبال
11	الفصل 2 : الممارسات الموصى بها لظراز RM760
12	الفصل 3 : تركيب الميكروفون المزود بسماعة عن بُعد في الراديو
13	الفصل 4 : فصل الميكروفون المزود بسماعة عن بُعد من الراديو
14	الفصل 5 : موضع الارتداء الموصى به
15	الفصل 6 : إدارة الكابلات
16	الفصل 7 : الملحقات الاختيارية
17	الفصل 8 : قطع الغيار
17	8.1 استبدال السلك الحلزوني
18	8.2 استبدال غطاء الحماية من الأتربة
20	8.3 استبدال المشبك الدوار
20	8.3.1 فصل المشبك الدوار
21	8.3.2 تركيب المشبك الدوار
22	الفصل 9 : الخدمة والضمان

# دليل أمان المنتج والتعرض لطاقة التردد اللاسلكي

يحتوي هذا المستند على تعليمات مهمة حول السلامة والتشغيل. اقرأ هذه التعليمات بعناية واحتفظ بها للرجوع إليها في المستقبل.

## تنبيه:

قبل استخدام هذا الملحق، اقرأ هذا الدليل الذي يتضمن تعليمات التشغيل المهمة للاستخدام الآمن وللتعريف بطاقة التردد اللاسلكي والتحكم فيها للتوافق مع المعايير واللوائح المعمول بها.

يقتصر استخدام الميكروفون المزود بسماعة عن بُعد (RSM)، عند توصيله بالراديو، على الاستخدام المهني فقط لتحقيق متطلبات التعرض لطاقة التردد اللاسلكي الصادرة عن كل من هيئة الاتصالات الفيدرالية (FCC) واللجنة الدولية للحماية من الإشعاع غير المؤين (ICNIRP). قبل استخدام هذا المنتج، اقرأ معلومات التعريف بطاقة التردد اللاسلكي وتعليمات التشغيل الواردة في كتيب "أمان المنتج والتعرض للتردد اللاسلكي" المرفق مع الراديو لضمان التوافق مع حدود التعرض لطاقة التردد اللاسلكي.

## السلامة السمعية

قد يؤدي التعرض لضوضاء عالية من أي مصدر لفتراتٍ طويلةٍ إلى تأثير حاسة السمع بشكل مؤقت أو دائم. كلما ارتفع مستوى صوت الراديو، قلّ الزمن اللازم لتأثير حاسة السمع.

في بعض الأحيان لا يمكن اكتشاف الضرر السمعي الناتج عن الضوضاء العالية في بدايته وقد يكون له تأثير تراكمي.

اتباع الإرشادات الآتية لحماية سمعك:

- استخدم أقل مستوى صوت يحتاج إليه عملك.
- لا ترفع مستوى الصوت إلا إذا كانت البيئة المحيطة بك صاخبة.
- اخفض مستوى الصوت قبل تركيب سماعة الرأس أو سماعة الأذن.
- قلّل مدة استخدامك لسماعات الرأس أو سماعات الأذن بمستوى صوت مرتفع.
- عند استخدام الراديو من دون سماعة رأس أو سماعة أذن، لا تضع مكبر صوت الراديو أمام الأذن مباشرةً.
- إذا شعرت بعدم الراحة في أثناء الاستماع أو سمعت طنيناً في أذنيك أو أصبح الصوت خافتاً، فيجب أن تتوقف عن الاستماع إلى الراديو عبر سماعة الرأس أو سماعة الأذن وافحص حاسة سمعك لدى الطبيب. لتغيير مستوى الصوت، راجع نشرة سلامة المنتج الخاصة بالراديو أو برنامج البرمجة للعملاء للوصول إلى تكوينات مجموعة الصوت الأعلى (XL) الخاصة بالمراقبة.

## نظرة عامة على المنتج

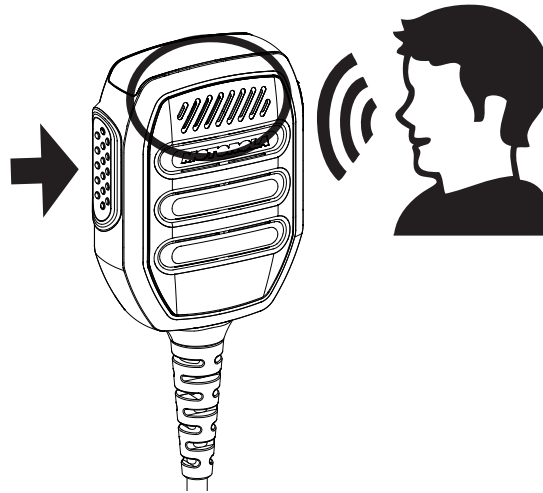
يصف دليل المستخدم هذا ميكروفون IMPRES طراز RM760 من نوع Windporting المزود بسماعة عن بُعد، المقاس الكبير الأساسي (IP68)، PMMN4140.



الوصف	الرقم
زر الضغط للتحدث	1
مقيس صوت مقاس 3,5 مم للاستقبال فقط (غير ملولب) مغطى بغطاء الحماية من الأتربة	2

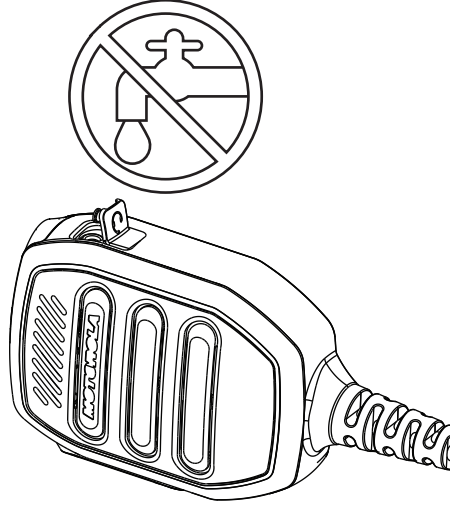
### 1.1 الإرسال والاستقبال

الشكل 1 : إرسال





## الممارسات الموصى بها لطرّاز RM760



- قم بتغطية مقبس الصوت بغطاء الحماية من الأتربة عند عدم توصيله بسماعة أذن. لا تسكب الماء داخل مقبس الصوت.
- في حالة دخول الماء إلى مقبس الصوت، تخلص من الماء عن طريق هزّ الميكروفون المزوّد بسماعة عن بُعد.

## تركيب الميكروفون المزود بسماعة عن بُعد في الراديو

### الإجراء:

1 قم بتركيب موصل الميكروفون المزود بسماعة عن بُعد في الموصل الجانبي للراديو.

2 أحكم ربط برغي التوصيل في اتجاه دوران عقارب الساعة حتى يثبت.

**ملاحظة:** لضمان التشغيل الصحيح، قم بإيقاف تشغيل الراديو قبل توصيل الميكروفون المزود بسماعة عن بُعد به. يؤدي توصيل الميكروفون المزود بسماعة عن بُعد بالراديو إلى تعطيل مكبر الصوت بالراديو، لكنه لا يؤدي إلى تعطيل الميكروفون أو زر الضغط للتحدث (PTT) بالراديو.





## فصل الميكروفون المزود بسماعة عن بُعد من الراديو

### الإجراء:

- 1 قم بفك برغي موصل الميكروفون المزود بسماعة عن بُعد وافصله عن الموصل الجانبي للراديو.
- 2 أبقِ غطاء الحماية من الأتربة بداخل مقبس الصوت الخاص بالميكروفون المزود بسماعة عن بُعد عند عدم استخدام ملحق ثانوي.

## موضع الارتداء الموصى به

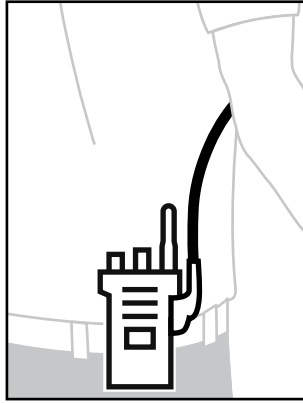
الشكل 3 : موضع ارتداء RM760



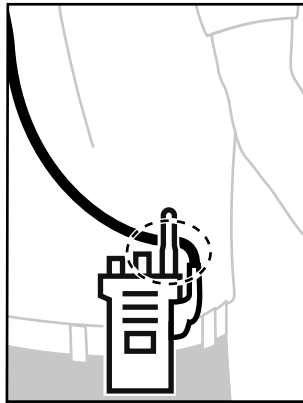
## إدارة الكابلات

يصف هذا القسم موضع الكابل الموصى به.

الشكل 4 : موصى به



الشكل 5 : غير موصى به

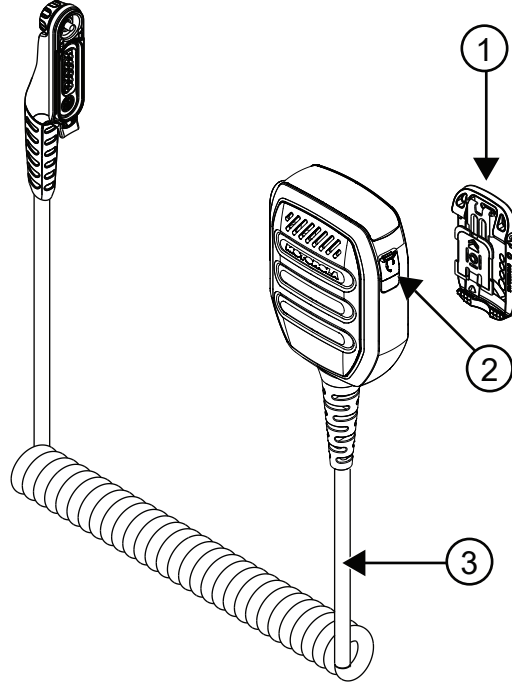


لضمان المدى الأمثل وأفضل تجربة للمستخدم، يُوصى بتجنب تداخل كابل الملحقات مع هوائي الراديو.

## الملحقات الاختيارية

الأوصاف	لا
سماعة أذن أعلى صوتاً بأنبوب شفاف للاستقبال فقط، مقبس مقياس 3,5 مم	PMLN8120

## قطع الغيار



الجدول 1 : وسائل شرح قطع الغيار

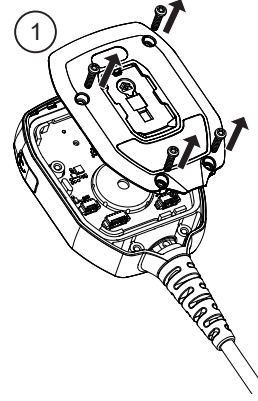
الرقم	الأوصاف
1	مشبك دوار قصير (PMLN8121)
2	غطاء الحماية من الأتربة، 10 قطع بكل عبوة (PMLN8122)
3	سلك حلزوني (PMKN4232)

8.1

### استبدال السلك الحلزوني

الإجراء:

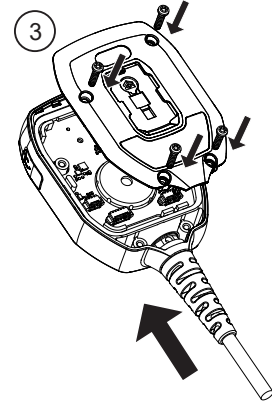
1 أزل البراغي لفك الميكروفون المزود بسماعة عن بُعد.



2 أزل الكابل.



3 أعد تجميع الميكروفون المزود بسماعة عن بُعد.



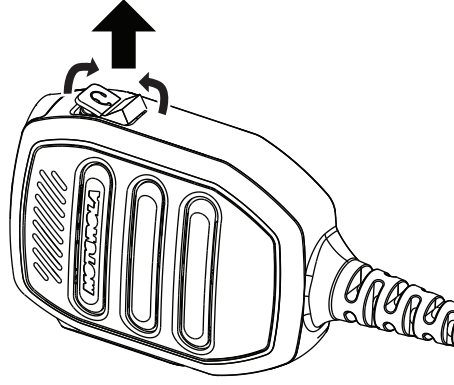
8.2

## استبدال غطاء الحماية من الأتربة

الإجراء:

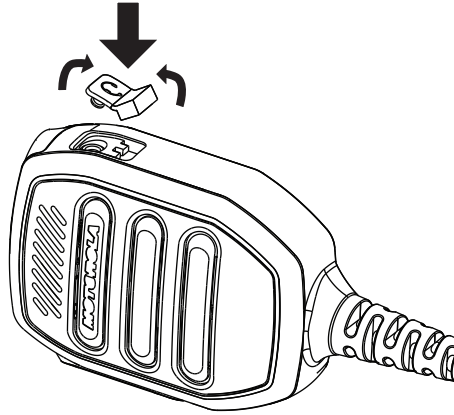
1 ارفع جانبي غطاء الحماية من الأتربة.

2 اسحب غطاء الحماية من الأتربة لفته.



3 قم بئني غطاء الحماية من الأتربة.

4 أدخله في فتحة غطاء الحماية من الأتربة.



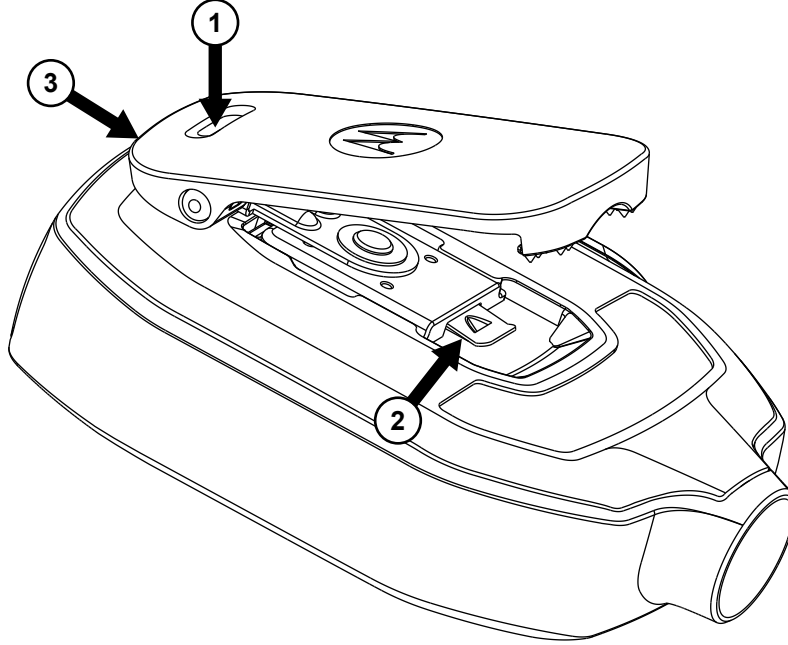
8.3

استبدال المشبك الدوار

8.3.1

فصل المشبك الدوار

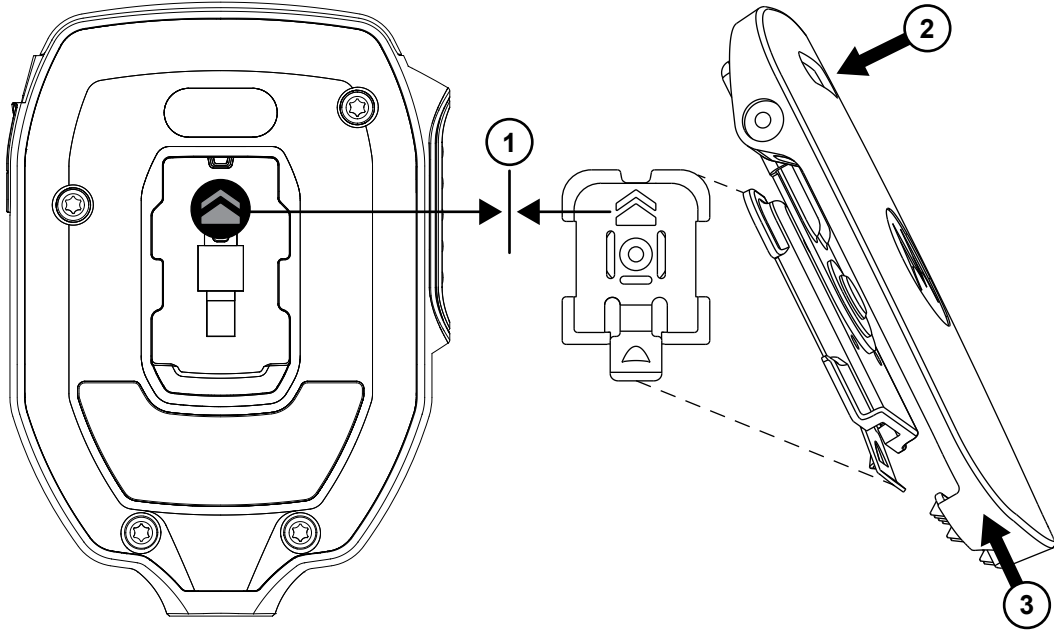
الإجراء:



- 1 ادفع أعلى المشبك لرفع المشبك إلى أعلى موضع.
- 2 ارفع قفل التحرير السفلي لأعلى.
- 3 ادفع المشبك لينزلق من أجل إزالته.



### 8.3.2 تركيب المشبك الدوار



#### الإجراء:

- 1 قم بتوفيق رموز رؤوس الأسهم والأجنحة الجانبية ومحاذاتها.
- 2 ادفع أعلى المشبك إلى أسفل.
- 3 في الوقت نفسه، ادفع المشبك المنزلق إلى أعلى.

## الخدمة والضمان

لا يمكن تصليح ميكروفون PMMN4140 المزود بسماعة عن بُعد إلا فيما يتعلق بمجموعة الكابل القابلة للاستبدال وغطاء الحماية من الأتربة والمشبك.

تمنحك شركة Motorola Solutions ضماناً للملحق الخاص بك. راجع وكيل شركة Motorola Solutions أو نقطة الشراء التابعة لها للحصول على معلومات تفصيلية.

**ملاحظة:** يتم إلغاء الضمان إذا قام العميل باستبدال أي قطع بخلاف قطع الغيار المدرجة.

