

**PMMN4149**

**RM110 Remote Speaker Microphone, without 3.5 mm Audio Jack (IP55)**



MN009680A01-AA



MOTOROLA, MOTO, MOTOROLA SOLUTIONS and the Stylized M logo are trademarks or registered trademarks of Motorola Trademark Holdings, LLC and are used under license. All other trademarks are the property of their respective owners.  
© 2023 Motorola Solutions, Inc. All rights reserved.

Printed In



**Foreword  
RF Energy Exposure and Product Safety  
Guide for Portable Two-way Radios**

**Attention!**

Before using this accessory, read this guide which contains important operating instructions for safe usage and RF energy awareness and control for compliance with applicable standards and regulations.

The Remote Speaker Microphone (RSM), when attached to the radio, is restricted to occupational use only to satisfy FCC/ICNIRP RF energy exposure requirements. Before using this product, read the RF energy awareness information and operating instructions in the Product Safety and RF Exposure booklet enclosed with your radio to ensure compliance with RF energy exposure limits.

**Acoustic Safety**

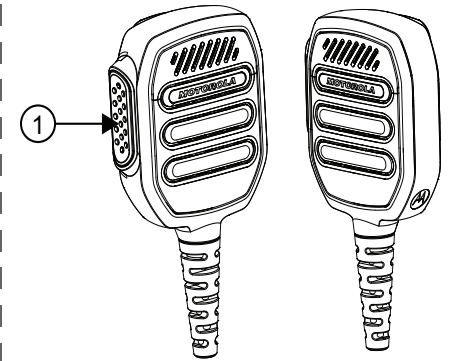
Exposure to loud noises from any source for extended periods of time may temporarily or permanently affect your hearing. The louder the volume of the radio, the less time is required before your hearing can be affected.

Hearing damage from loud noise is sometimes undetectable at first and can have a cumulative effect.

To protect your hearing:

- Use the lowest volume necessary to do your job.
- Turn up the volume only if you are in noisy surroundings.
- Turn down the volume before attaching headset or earpiece.
- Limit the amount of time you use headsets or earpieces at high volume.
- When using the radio without a headset or earpiece, do not place the speaker of the radio directly against your ear.
- If you experience hearing discomfort, ringing in your ears, or muffled speech, you should stop listening to your radio through your headset or earpiece, and have your hearing checked by your doctor. To change the volume level, refer to Radio Product Safety Leaflet or CPS for Surveillance extra loud (xL) Kit Configurations.

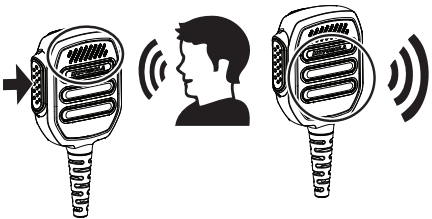
**RSM Features**



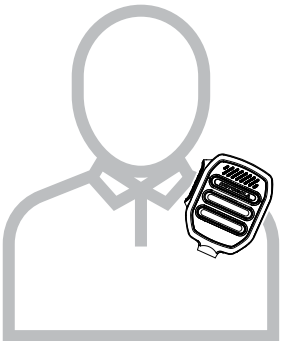
**Table 1: RSM Features**

No.	Description
1	Push-to-Talk Button

**Transmitting and Receiving**



**Recommended RSM Wearing Position**



**Attaching the RSM to the Radio**

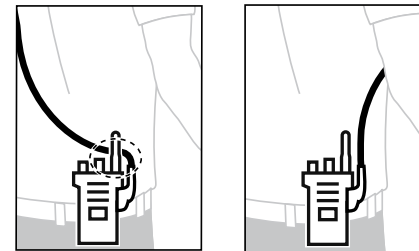
Attach the RSM connector to the side connector of the radio. Then secure the connection screw in a clockwise direction until tightened.

*Note:* To ensure proper operation, turn off the radio before connecting the RSM to the radio. Connecting the RSM to the radio disables the speaker of the radio, but does not disable the microphone and PTT of the radio.

**Detaching the RSM from the Radio**

1. Unscrew and detach the RSM connector from the radio side connector.
2. Keep the dust cover inserted in the audio jack of the RSM when a secondary accessory is not being used.

**Cable Management**

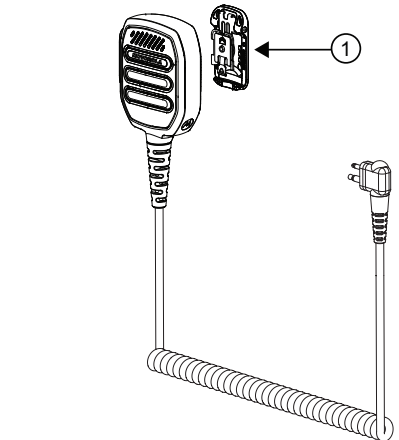


To ensure optimum range and user experience, it is recommended to avoid crossing accessory cable with the radio antenna.

**Replacement Parts**

**Table 2: Replacement Parts**

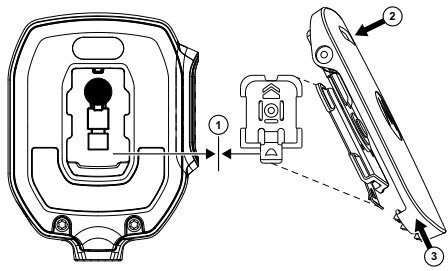
No	Description
1	Low Profile Swivel Clip (PMLN8121)



**Service and Warranty**

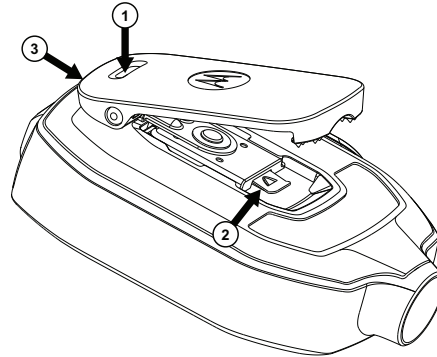
Motorola Solutions offers warranty for your RSM. Refer to your Motorola Solutions dealer or point-of-purchase for detailed information.  
**NOTE:** Warranty is void after customer replacement of any parts other than replacements parts listed.

### Attaching Swivel Clip



1. Align the Bottom Release Latch to facing the downwards position.
2. Push down the top of the clip.
3. Simultaneously, slide the clip upward.

### Detaching Swivel Clip



1. Push top of the clip to raise the clip to the highest position.
2. Lift up the bottom release latch.
3. Slide the clip to remove the clip.

Refer to manual MN009682A01 for other languages: <https://learning.motorolasolutions.com>



#### EU Contact:

Motorola Solutions, Czerwone Maki 82, 30-392  
Krakow, Poland.

#### UK Address:

Motorola Solutions UK Ltd., Nova South,  
160 Victoria Street, London, SW1E 5LB,  
United Kingdom.