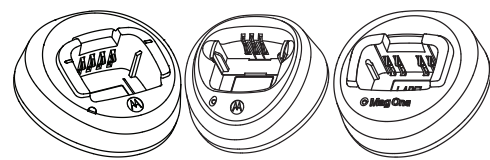
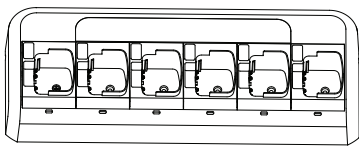


## Chargers Instruction Leaflet

California Energy Commission (CEC) Compliant  
Single-Unit Charger Kits  
PMPN4132\_, PMPN4133\_, and PMPN4140\_



**Multi-Unit Charger  
PMPN4139\_**



MN003061A01-AB

Printed in

en-US



### Important Safety Instructions

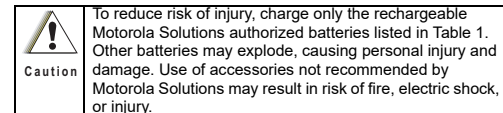
Before using the battery charger, read all the instructions and cautionary markings on (1) the charger, (2) the battery, and (3) the radio using the battery.

- To reduce risk of damage to the electric plug and cord, pull the plug rather than the cord when disconnecting the charger.
- An extension cord should not be used unless absolutely necessary. Use of an improper extension cord could result in risk of fire and electric shock. If an extension cord must be used, make sure that the cord size is 18 AWG for lengths of up to 6.5 feet (2.0 m), and 16 AWG for lengths up to 9.8 feet (3.0 m).
- To reduce risk of fire, electric shock, or injury, do not operate the charger if it has been broken or damaged in any way. Take it to a qualified Motorola Solutions service representative.
- Do not disassemble the charger, it is not repairable and replacement parts are not available. Disassembly of the charger may result in risk of electric shock or fire.
- To reduce risk of electric shock, unplug the charger from the AC outlet before attempting any maintenance or cleaning.

### Operational Safety Guidelines

- To ensure optimized charging performance, turn off the radio while charging unless the radio is transmitting data wirelessly on Wi-Fi or Bluetooth.
- This equipment is not suitable for outdoor use. Use only in dry locations or conditions.
- Connect equipment only to an appropriate power cord with the correct voltage (as specified on the product).
- Disconnect from line voltage by removing the power plug from the outlet.
- The socket outlet to which this equipment is connected should be close and easily accessible.
- Maximum ambient temperature around the charger must not exceed 40 °C (104 °F).

- Power from the power supply unit must not exceed the ratings stated on the product label located on the bottom of the charger.
- Make sure the cord is located where it will not be stepped on, tripped over, or subjected to water, damage, or stress.



**Table 1: Motorola Solutions Authorized Chargers and Batteries**

Charger Kit Number	Battery Kit Number	Description
Multi-Unit Charger PMPN4139_ and Single-Unit Charger PMPN4140_	PMNN4071_	Nickel Metal-Hydrate Battery, 1400 mAh (Mag One)
	PMNN4075_	Lithium Ion Battery, 1700 mAh (Mag One)
Single-Unit Charger PMPN4132_	PMNN4080_	Lithium Ion Battery, 2250 mAh
	PMNN4476_	Lithium Ion Battery, 1750 mAh

**Table 1: Motorola Solutions Authorized Chargers and Batteries (Continued)**

Single-Unit Charger PMPN4133_	NNTN4497_	Lithium Ion Battery, 2250 mAh
	NNTN4851_	Nickel Metal-Hydrate Battery, 1480 mAh
	NNTN4852_	Nickel Metal-Hydrate Battery, 1300 mAh, FM
	NNTN4970_	Lithium Ion Battery, 1700 mAh
	PMNN4072_	Nickel Metal-Hydrate Battery, 1480 mAh (Mag One)
	PMNN4458_	Lithium Ion Battery, 2075 mAh (Mag One)
	PMNN4598_	Lithium Ion Battery, 2300 mAh
PMNN4600_	Lithium Ion Battery, 2100 mAh	

**Table 2: Motorola Solutions Authorized Optional Power Sources or Power Supplies for Single-Unit Charger**

Part Number	Description
25009297001	Switch Mode Power Supply, 120 VAC, 18 W, United States/North America

**Table 3: Motorola Solutions Authorized Optional Power Cord for Multi-Unit Charger**

Power Cord	Description
3004209T04	Power Cord, United States/North America

### Operating Instructions for Single-Unit Charger (SUC) and Multi-Unit Charger (MUC) Kits

To ensure optimized charging performance, turn off the radio while charging unless the radio is transmitting data wirelessly on Wi-Fi or Bluetooth. Batteries charge best at room temperature.

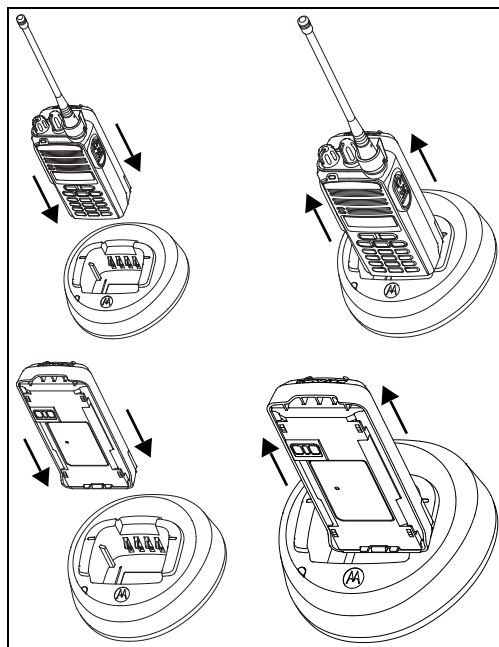
- This Single-Unit Charger and Multi-Unit Charger Kits can charge Motorola Solutions-approved batteries or approved radios with batteries.
- This Single-Unit Charger and Multi-Unit Charger Kits can charge stand-alone batteries as listed in Table 1.

#### Charging Procedure

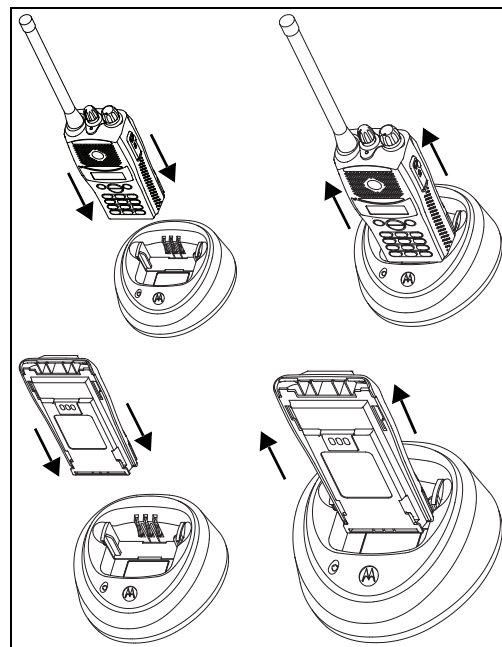
- Plug the charger end of the power supply cord into the power receptacle.
- Plug the wall receptacle end of the power supply cord into an appropriate AC outlet. A successful power-up sequence is indicated by a **SINGLE FLASH GREEN** on the charger indicator.
- To charge a battery or a radio with the battery attached (**radio must be turned off**):
  - Insert the battery or radio into the charger pocket by aligning the groove on each side of the battery with the corresponding raised rail on each side of the charger pocket.
  - Press the battery towards the rear end of the pocket.
  - Slide the battery into the charger pocket, ensuring complete contact between the charger and battery contacts.
- When the battery or radio is properly inserted into the charger pocket, the charger indicator illuminates in **STEADY RED** to indicate the radio or battery is charging rapidly. When the battery is 90% charged, the LED **BLINKS GREEN** to indicate that the battery is trickle charging. When the battery is nearly or fully charged, the

charger indicator changes to **STEADY GREEN**. Refer to Table 4 for the Charger LED Indications.

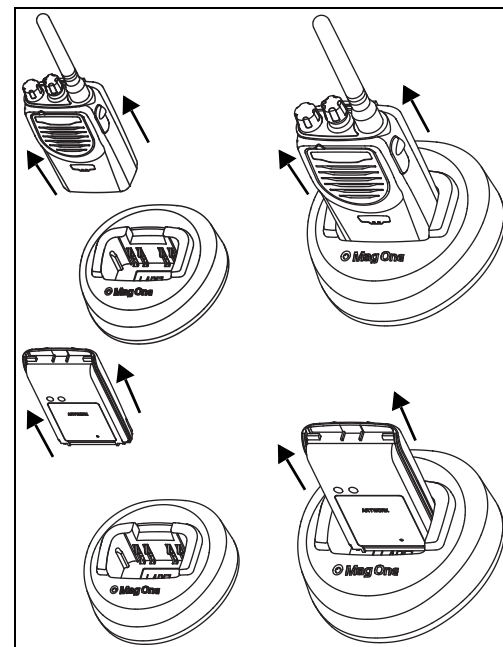
- Use both hands to remove a radio or battery from the charger pocket, one hand to hold and support the charger while the other hand removes the radio or battery.



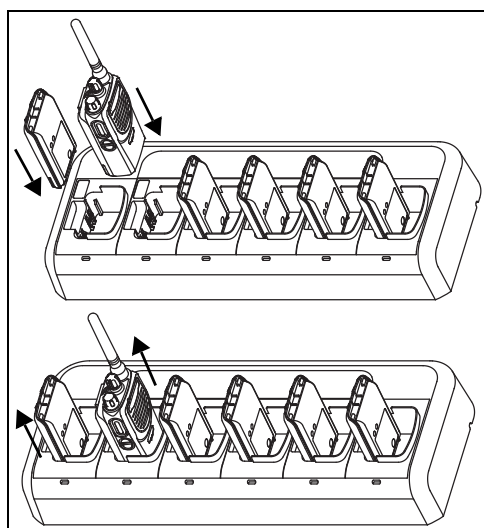
**Figure 1: Single-Unit Charger PMPN4132\_**



**Figure 2: Single-Unit Charger PMPN4133\_**



**Figure 3: Single-Unit Charger PMPN4140\_**



**Figure 4: Multi-Unit Charger PMPN4139\_**

### Troubleshooting

When troubleshooting, always observe the color of the LED:

**Table 4: Charger LED Indications**

Status	LED Indication
Power On	Green for approximately 1 sec
Charging	Steady red
Charged	Steady green
Trickle Charging	Green slow flash
Error (*)	Red fast flash
Standby (**)	Amber slow flash

(\*) Normally, re-positioning the battery pack will correct this issue.

(\*\*) Battery temperature is too warm or too cold or wrong power voltage is being used.

If there is NO LED indication:

- Check that the radio with battery, or stand-alone battery, is inserted correctly.
- Ensure the power supply is plugged into an appropriate AC outlet. (for Single-Unit Charger only).
- Ensure the cable is plugged securely into the charger socket (for Single-Unit Charger only).
- Ensure the power cord is plugged securely into the charger socket with an appropriate AC outlet and there is power to the outlet (for Multi-Unit Charger only).
- Confirm that the battery used with the radio is a Motorola Solutions Authorized battery listed in Table 1.

### Additional Information

The Charger Kit for North America is covered under the Motorola Solutions one year limited warranty. If your charger is defective, please contact your Motorola Solutions Partner where the unit was purchased. Order a Replacement Charging Kit if necessary.

For product-related questions, contact:  
1-800-448-6686 (United States & Canada)

The complete user guides are available on <https://learning.motorolasolutions.com> through the following publication part numbers:

- MN003086A01 for charger PMPN4132\_
- MN003087A01 for charger PMPN4133\_
- MN003088A01 for charger PMPN4139\_
- MN003106A01 for charger PMPN4140\_