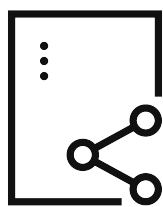
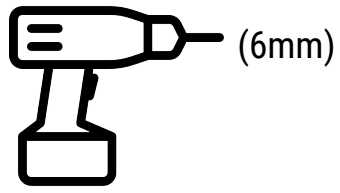


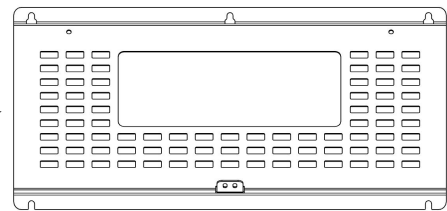
VB400 14-SLOT DOCK WALL MOUNT QUICKSTART GUIDE



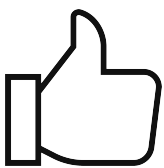
DC-200

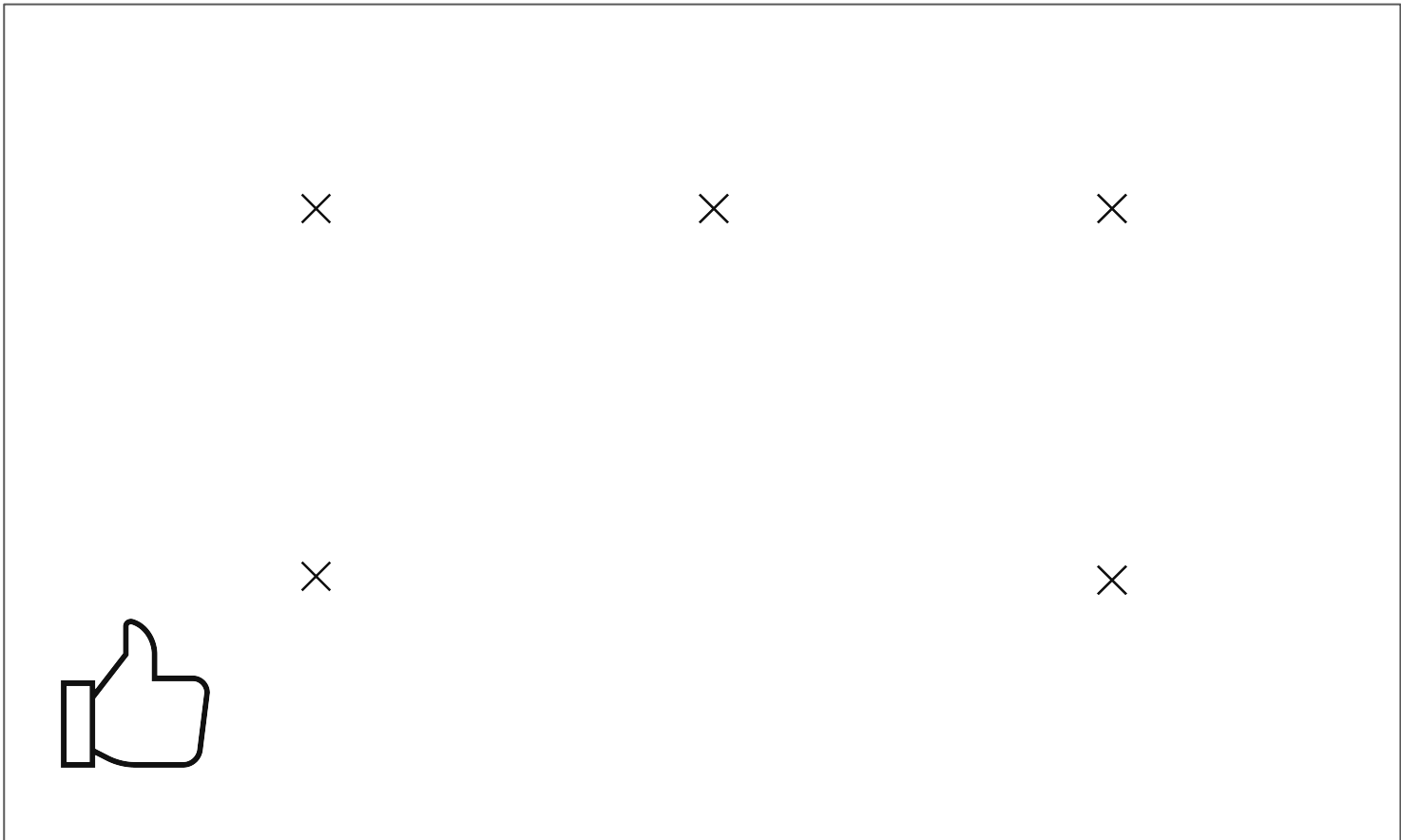
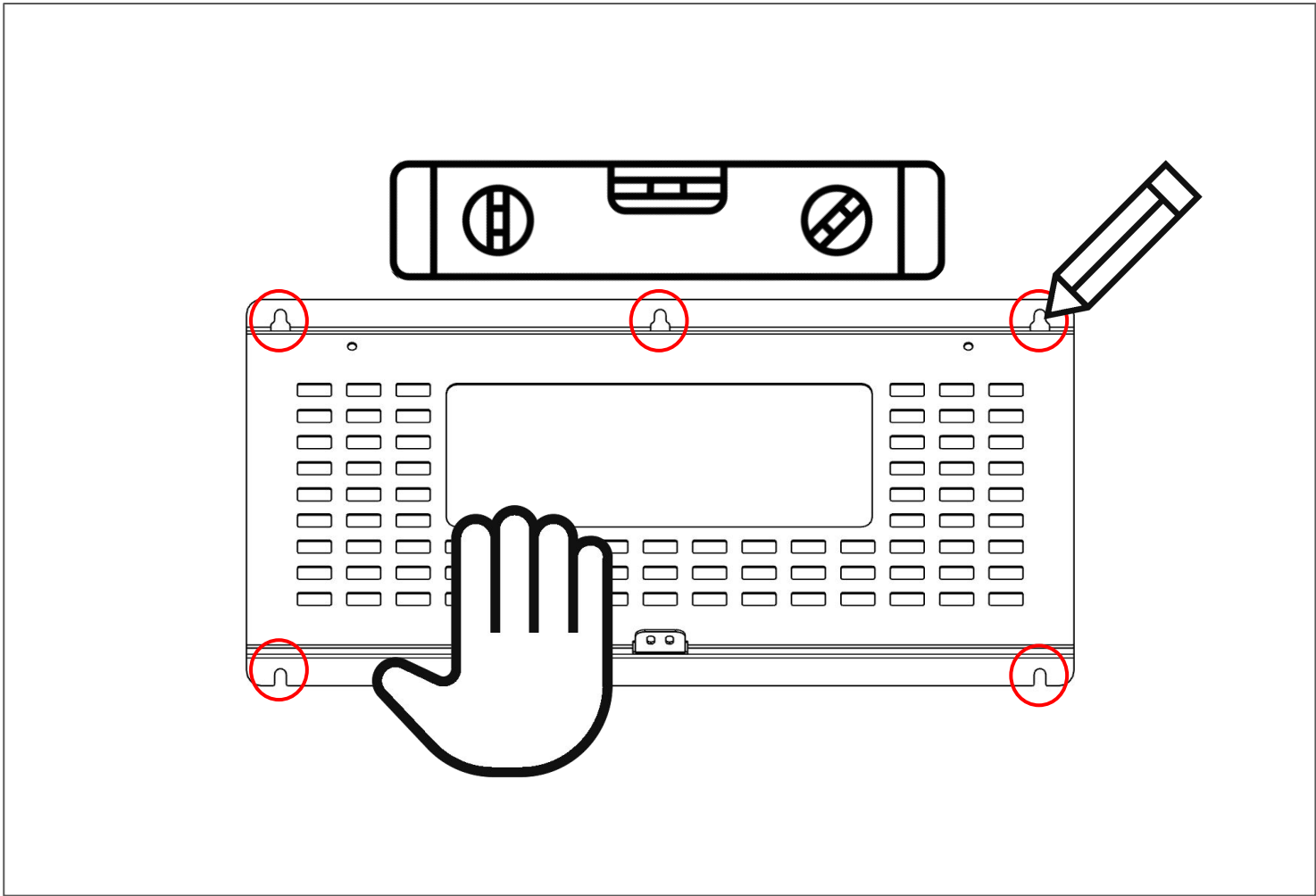


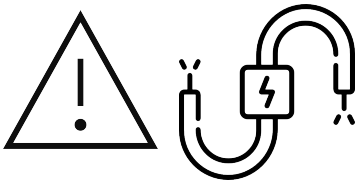
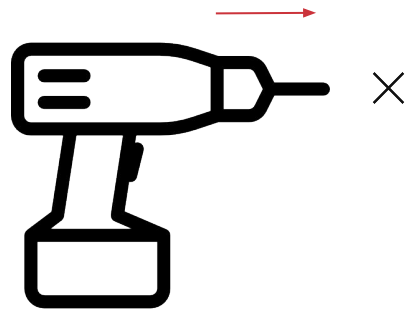
< 2m

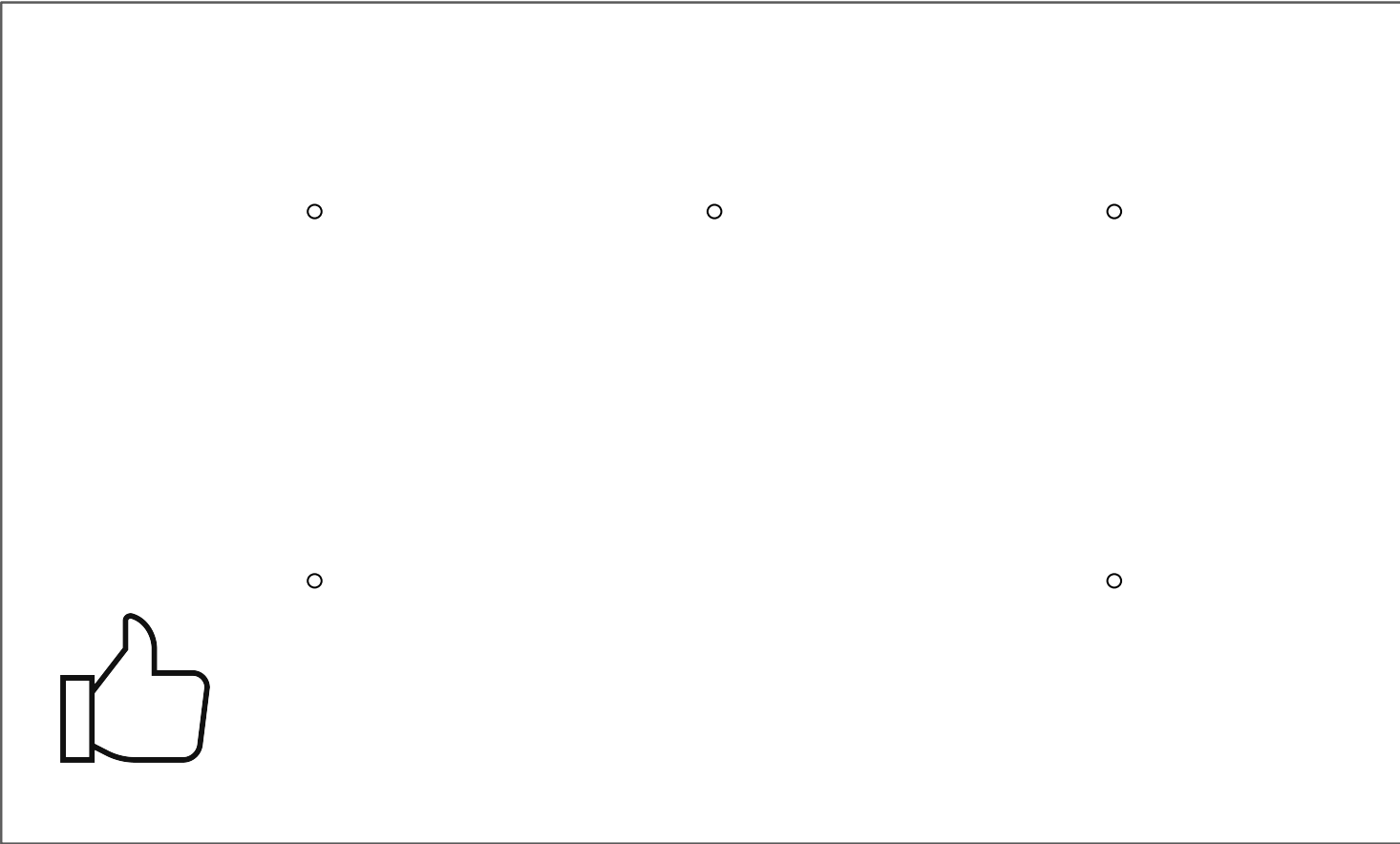
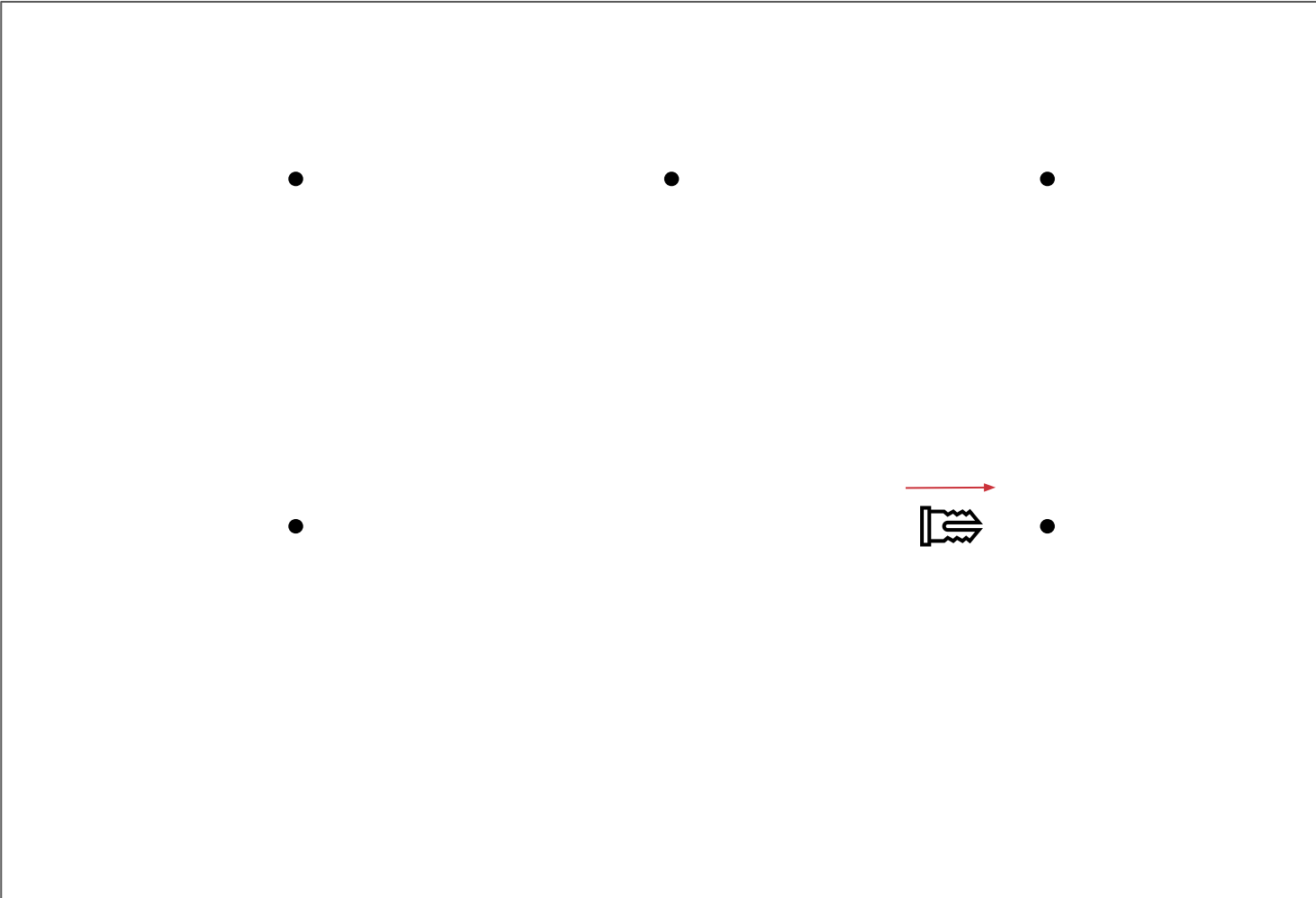


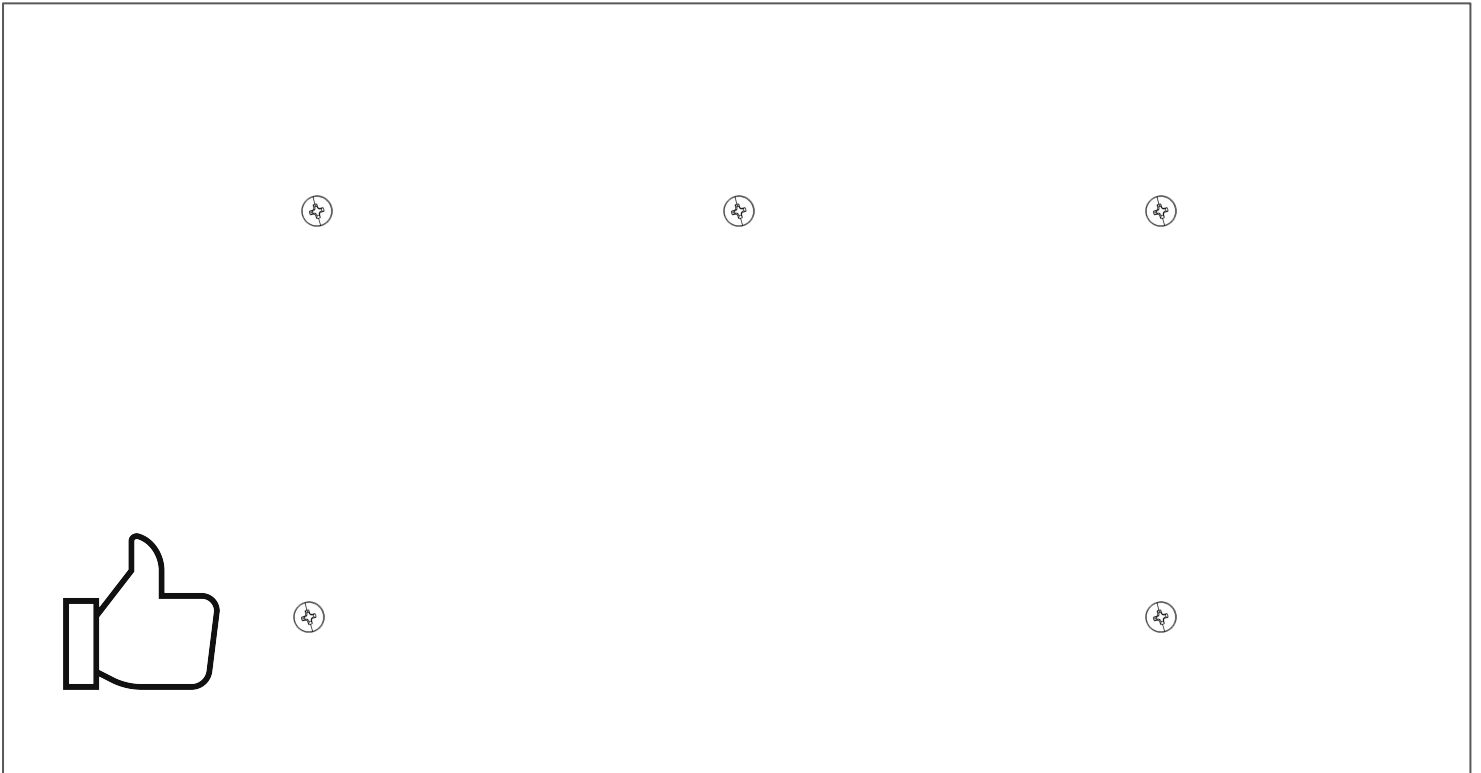
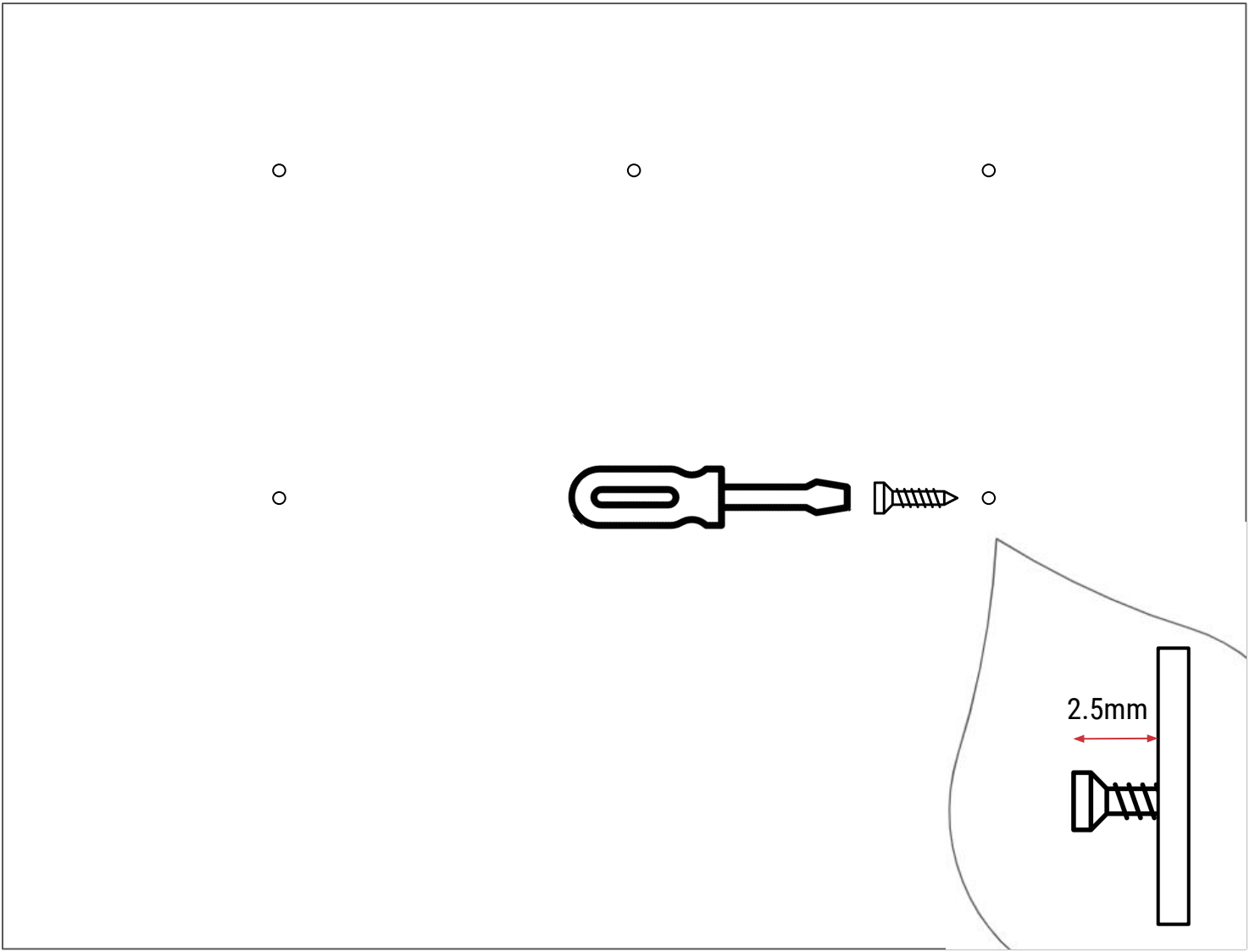
< 2m

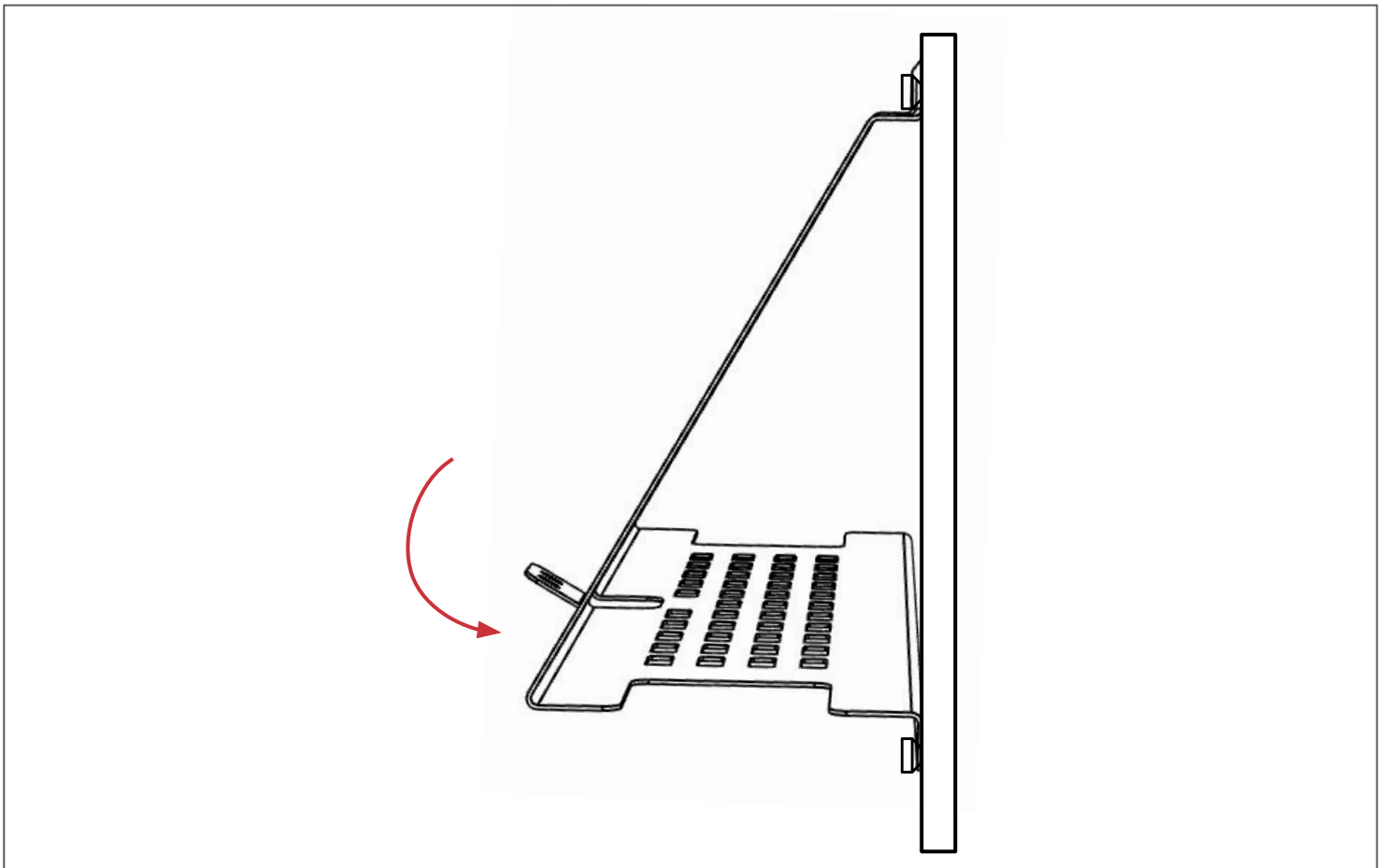
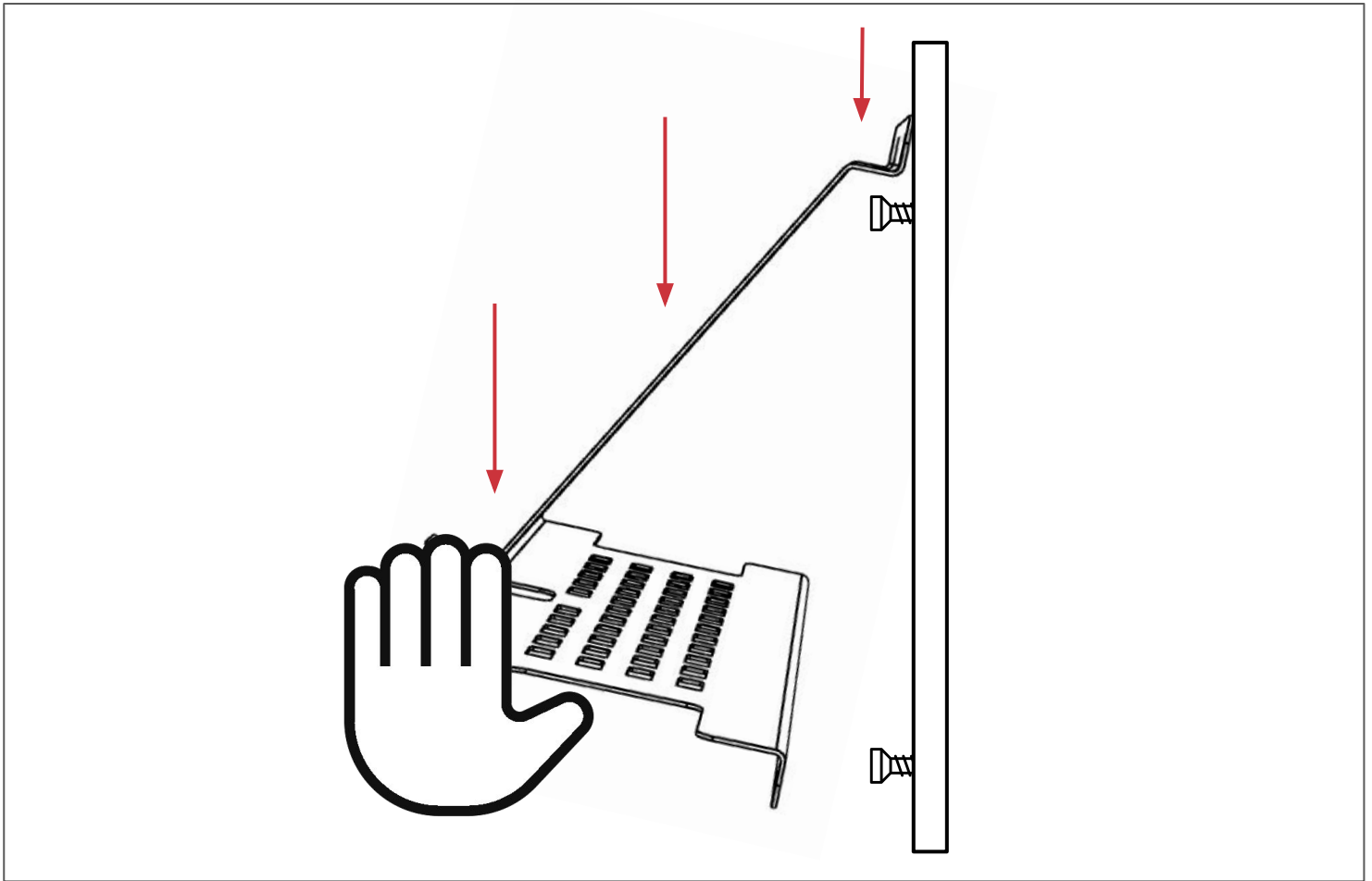


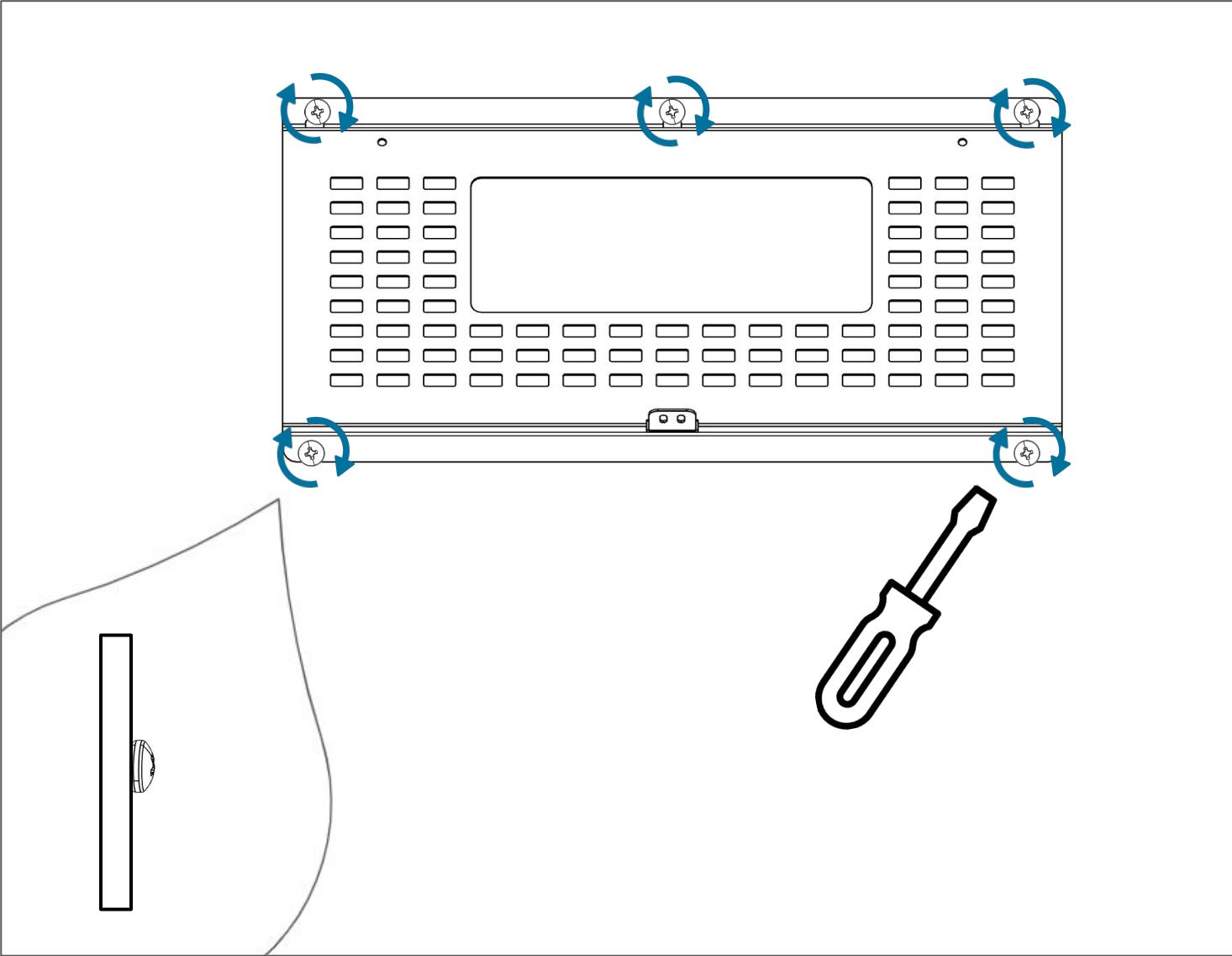
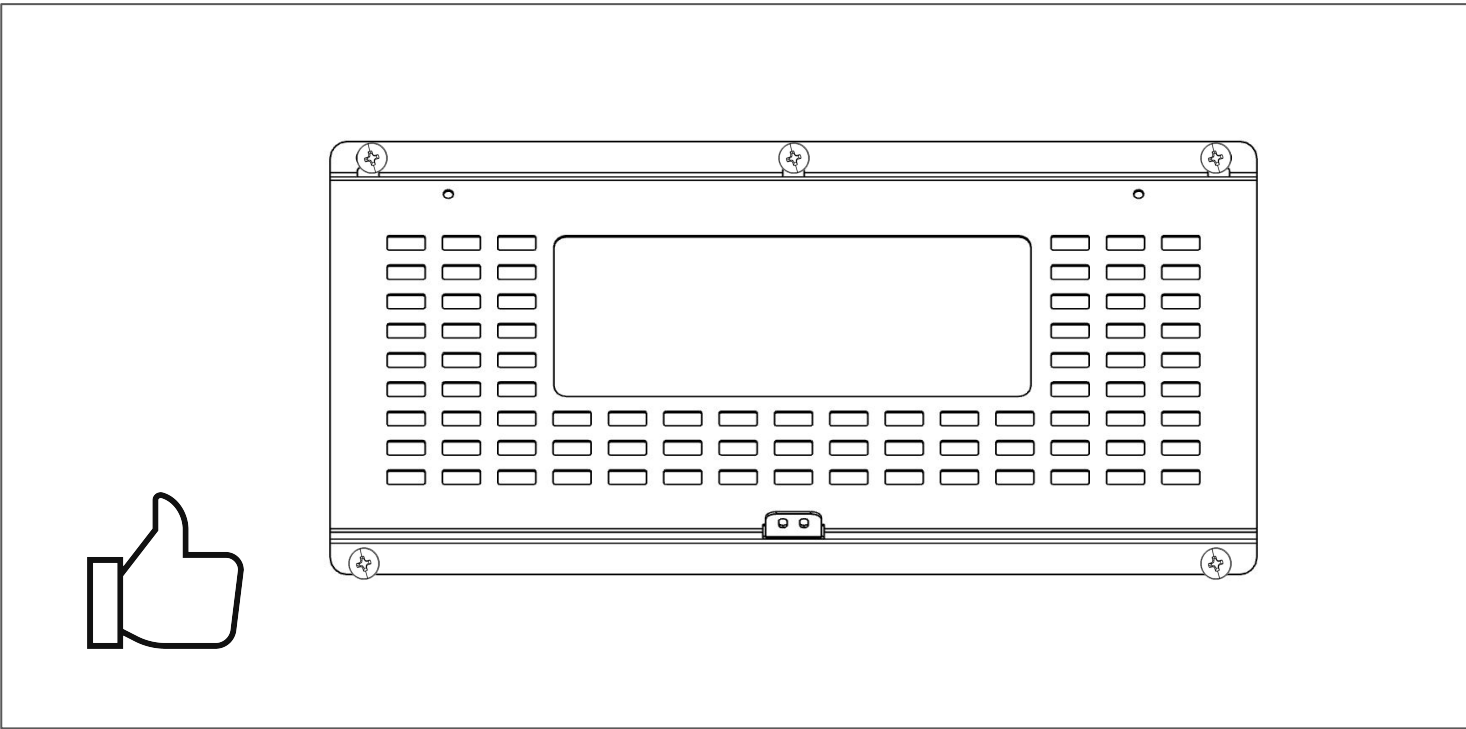


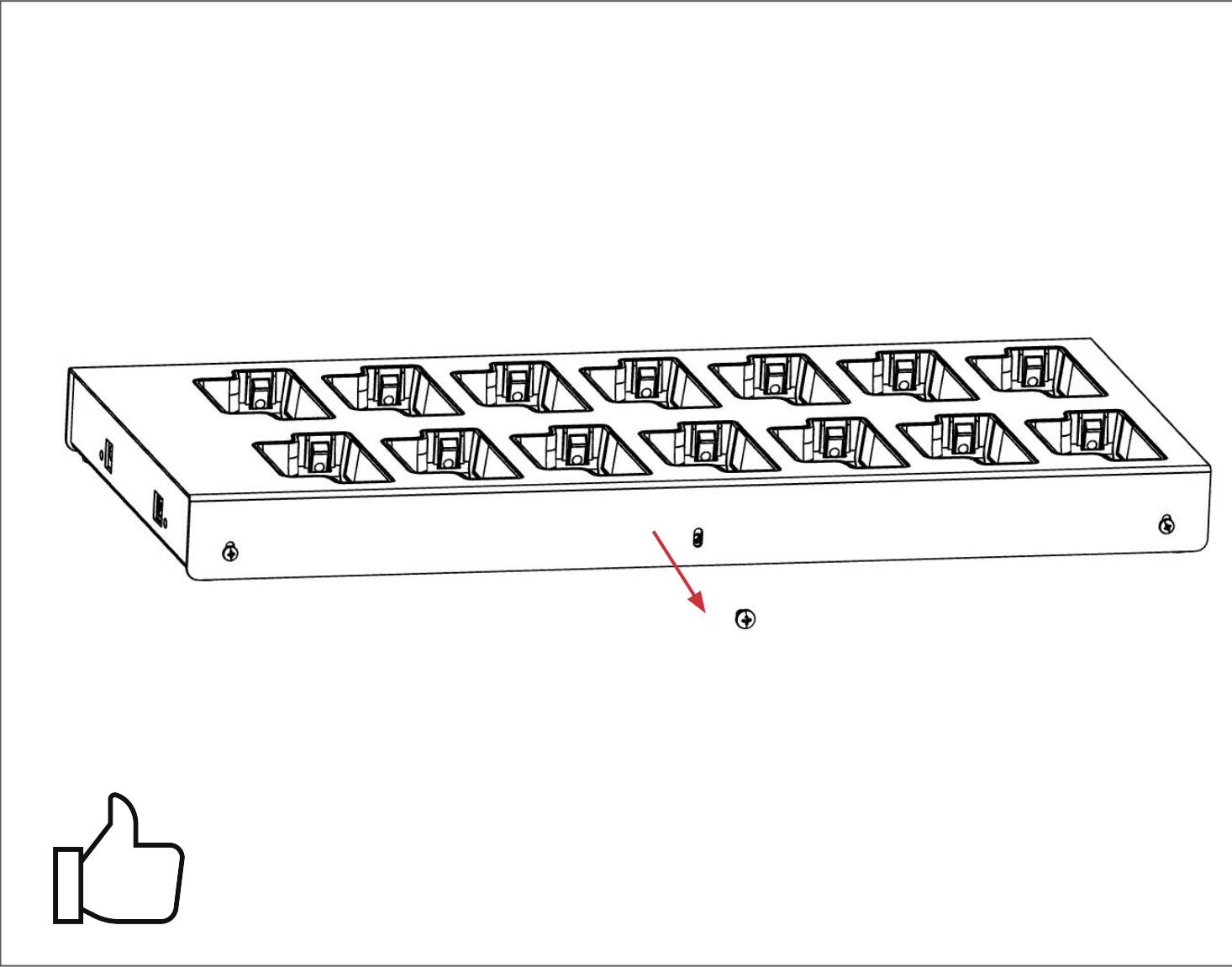
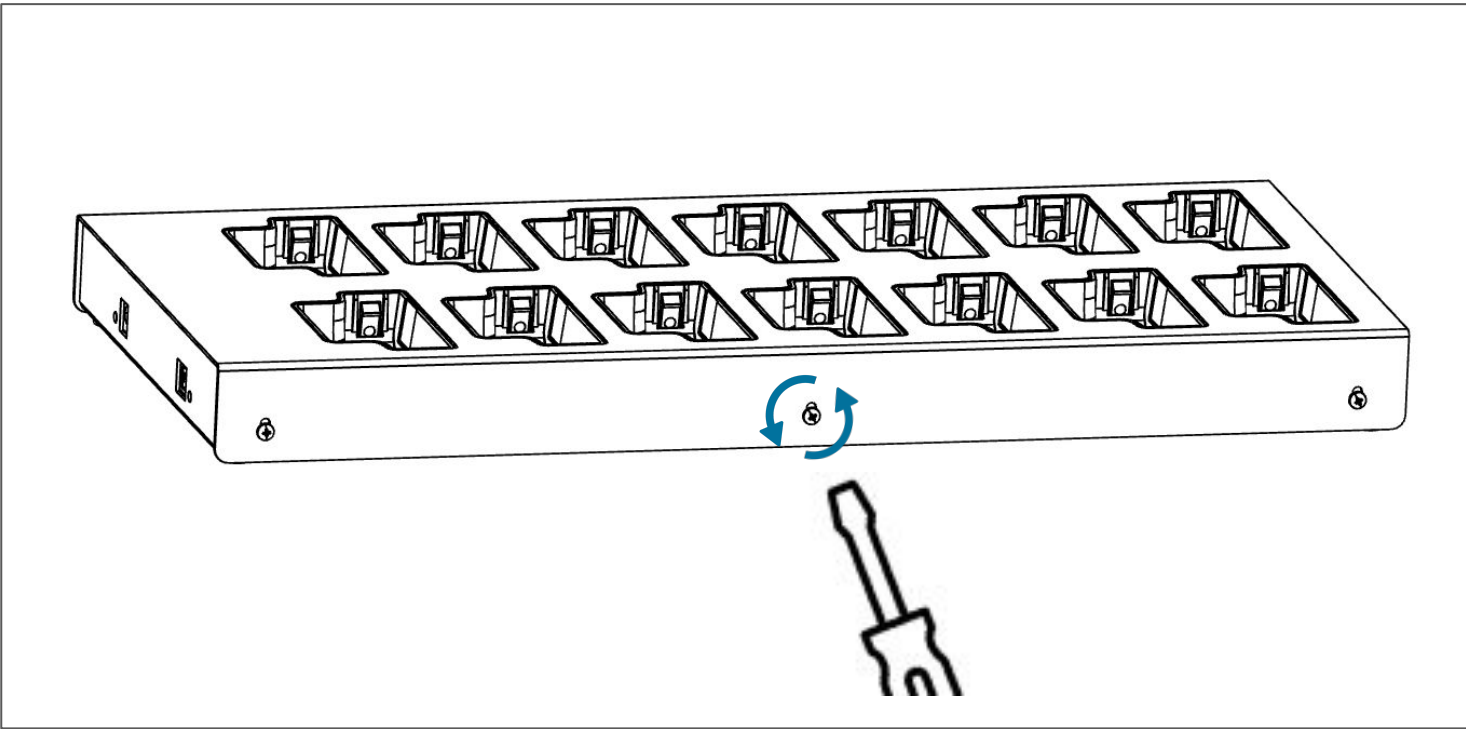


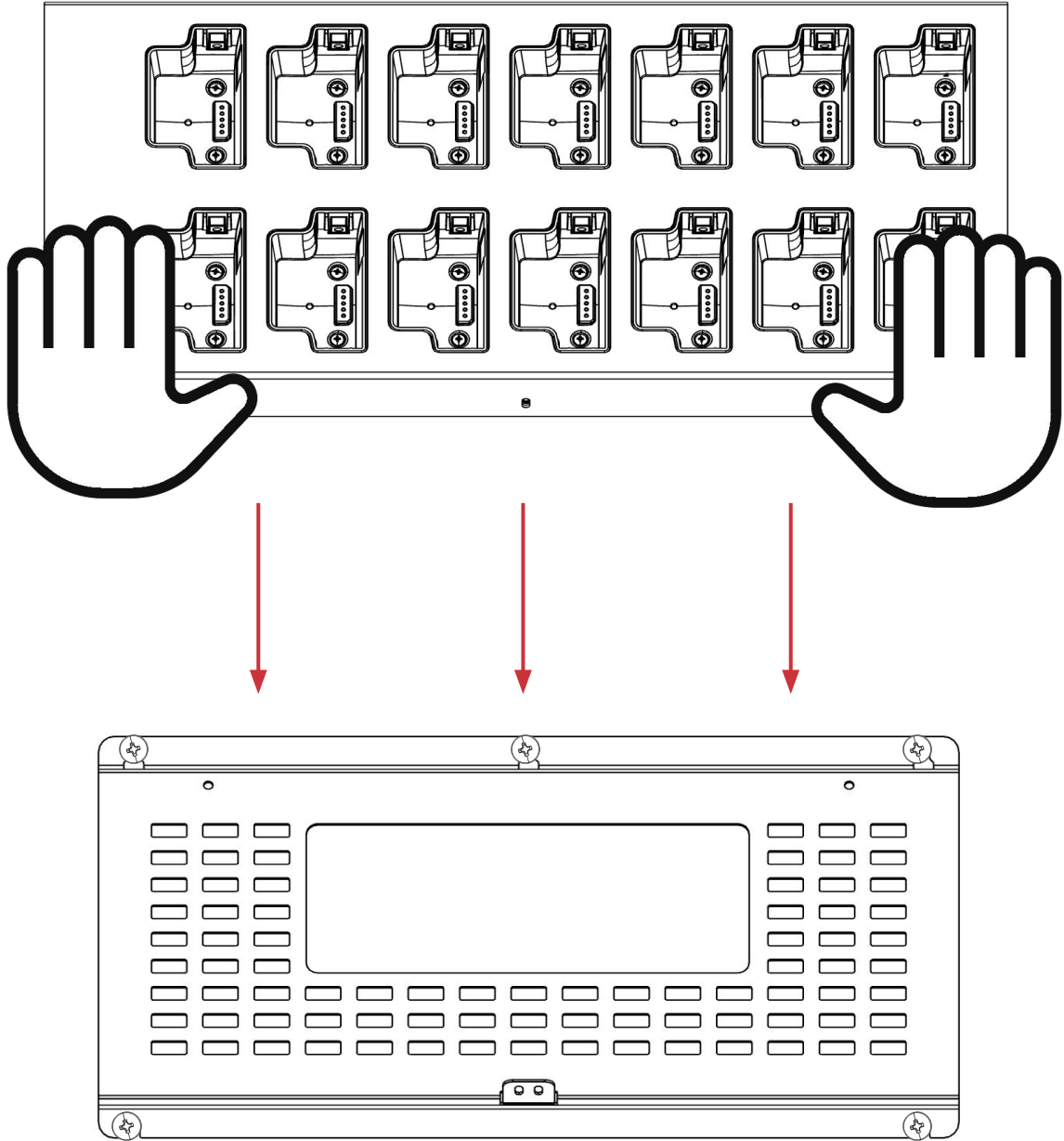


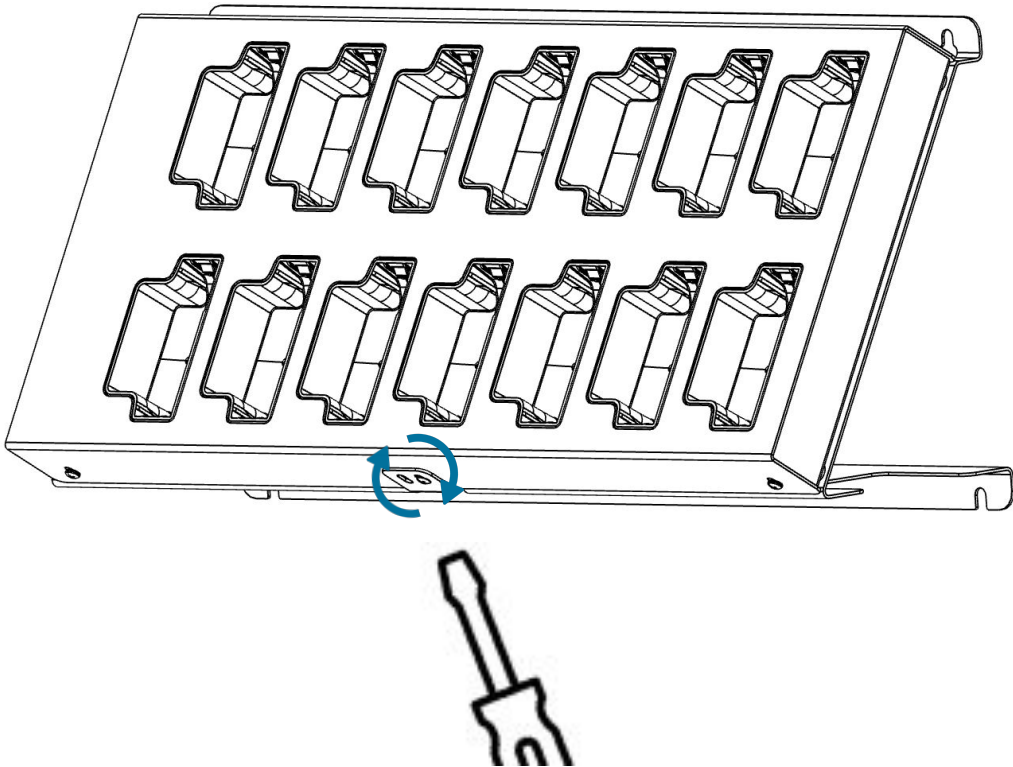
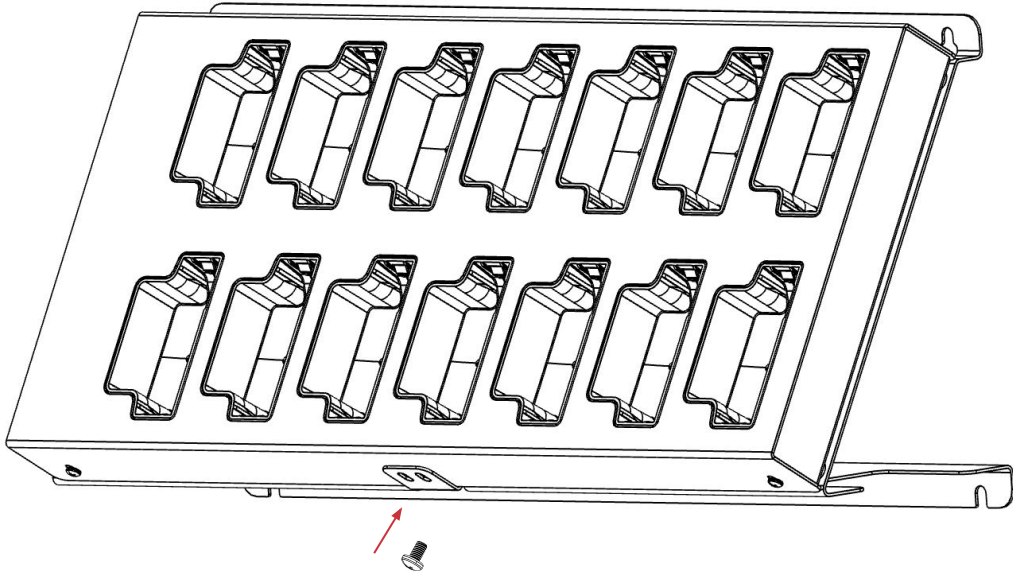


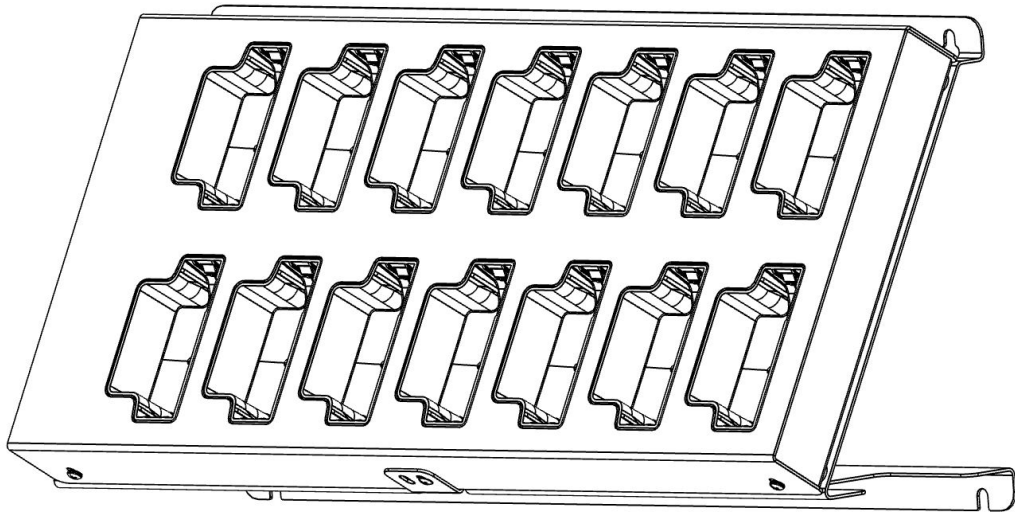












Motorola Solutions Ltd. Nova South, 160 Victoria Street, London, SW1E 5LB, United Kingdom

Availability is subject to individual country law and regulations. All specifications shown are typical unless otherwise stated and are subject to change without notice. MOTOROLA, MOTO, MOTOROLA SOLUTIONS and the Stylized M Logo are trademarks or registered trademarks of Motorola Trademark Holdings, LLC and are used under licence. All other trademarks are the property of their respective owners.

© 2023 Motorola Solutions, Inc. All rights reserved. [ED-006-033-01]