

Mag One Single-Unit Charger PMLN8599 User Guide

JUNE 2024

© 2024 Motorola Solutions, Inc. All Rights Reserved.



MN010372A01-AB

Safety and Legal

This section provides the safety and legal information for this product.

Intellectual Property and Regulatory Notices

Copyrights

The Motorola Solutions products described in this document may include copyrighted Motorola Solutions computer programs. Laws in the United States and other countries preserve for Motorola Solutions certain exclusive rights for copyrighted computer programs. Accordingly, any copyrighted Motorola Solutions computer programs contained in the Motorola Solutions products described in this document may not be copied or reproduced in any manner without the express written permission of Motorola Solutions.

No part of this document may be reproduced, transmitted, stored in a retrieval system, or translated into any language or computer language, in any form or by any means, without the prior written permission of Motorola Solutions, Inc.

Trademarks

MOTOROLA, MOTO, MOTOROLA SOLUTIONS, and the Stylized M Logo are trademarks or registered trademarks of Motorola Trademark Holdings, LLC and are used under license. All other trademarks are the property of their respective owners.

License Rights

The purchase of Motorola Solutions products shall not be deemed to grant either directly or by implication, estoppel or otherwise, any license under the copyrights, patents or patent applications of Motorola Solutions, except for the normal nonexclusive, royalty-free license to use that arises by operation of law in the sale of a product.

Open Source Content

This product may contain Open Source software used under license. Refer to the product installation media for full Open Source Legal Notices and Attribution content.

European Union (EU) and United Kingdom (UK) Waste of Electrical and Electronic Equipment (WEEE) Directive



The European Union's WEEE directive and the UK's WEEE regulation require that products sold into EU countries and the UK must have the crossed-out wheeled bin label on the product (or the package in some cases). As defined by the WEEE directive, this crossed-out wheeled bin label means that customers and end users in EU and UK countries should not dispose of electronic and electrical equipment or accessories in household waste.

Customers or end users in EU and UK countries should contact their local equipment supplier representative or service center for information about the waste collection system in their country.

Disclaimer

Please note that certain features, facilities, and capabilities described in this document may not be applicable to or licensed for use on a specific system, or may be dependent upon the characteristics of a specific mobile

subscriber unit or configuration of certain parameters. Please refer to your Motorola Solutions contact for further information.

© 2024 Motorola Solutions, Inc. All Rights Reserved

Important Safety Instructions

This document contains important safety and operating instructions. Please read these instructions carefully and save them for future reference.



CAUTION:

1. To reduce the risk of damage to the power cords, pull the plug rather than the cord when disconnecting from the AC outlet or the charger.
2. An extension cord should not be used unless absolutely necessary. Use of an improper extension cord could result in risk of fire and electric shock. If an extension cord must be used, make sure that the cord size is 18 AWG for lengths of up to 6.5 feet (2.0 m), and 16 AWG for lengths up to 9.8 feet (3.0 m).
3. To reduce the risk of fire, electric shock, or injury, do not operate the charger if it has been broken or damaged in any way. Take it to a qualified Motorola Solutions service representative.
4. Do not disassemble the charger. Disassembly of the charger may result in risk of electric shock or fire.
5. To reduce the risk of electric shock, unplug the charger power cord from the AC outlet before attempting any maintenance or cleaning.
6. To reduce the risk of injury, charge only the rechargeable Motorola Solutions Authorized Batteries. Other batteries may explode, causing personal injury and damage.
7. Use of accessories not recommended by Motorola Solutions may result in risk of fire, electric shock, or injury.
8. Changes or modifications made to this device, not expressly approved by Motorola Solutions, could void the authority of the user to operate this equipment.

Operational Safety Guidelines

- This equipment is not suitable for outdoor use. Use only in dry locations and conditions.
- The maximum ambient temperature around the charger must not exceed 40 °C (104 °F).
- To ensure optimized charging performance, turn off the radio while charging unless the device is transmitting data wirelessly on Wi-Fi or Bluetooth.
- Connect the charger only to appropriate power supplies and power cords as listed in [Authorized Battery, Charging Cable, and Power Adapters on page 10](#).
- The AC outlet to which the power supply is connected must be nearby and easily accessible.
- Ensure that the power supply cord connected to the charger is not easily stepped on, tripped over, or subjected to water, damage, or stress.
- Connect the power supply only to an appropriately fused and wired AC outlet with the correct voltage, as specified on the product.
- Disconnect from the line voltage by removing the power supply from the AC outlet.
- Connect not more than the appropriate number of charger power supplies to a 15 A or 20 A circuit, as limited by any certified power strip being used.



NOTE: Daisy-chaining power strips are not recommended. Circuit loading must be limited to less than 80% of the circuit rating.

Warranty

The Charger Kit is covered under the Motorola Solutions standard limited warranty. Refer to your Motorola Solutions dealer or point-of-purchase for detailed information.

Contact Us

The Centralized Managed Support Operations (CMSO) is the primary contact for technical support included in your organization's service agreement with Motorola Solutions. To enable faster response time to customer issues, Motorola Solutions provides support from multiple countries around the world.

Service agreement customers should be sure to call the CMSO in all situations listed under Customer Responsibilities in their agreement, such as:

- To confirm troubleshooting results and analysis before taking action

Your organization received support phone numbers and other contact information appropriate for your geographic region and service agreement. Use that contact information for the most efficient response. However, if needed, you can also find general support contact information on the Motorola Solutions website, by following these steps:

1. Enter motorolasolutions.com in your browser.
2. Ensure that your organization's country or region is displayed on the page. Clicking or tapping the name of the region provides a way to change it.
3. Select "Support" on the motorolasolutions.com page.

Comments

Send questions and comments regarding user documentation to documentation@motorolasolutions.com.

Provide the following information when reporting a documentation error:

- The document title and part number
- The page number or title of the section with the error
- A description of the error

Motorola Solutions offers various courses designed to assist in learning about the system. For information, go to <https://learning.motorolasolutions.com> to view the current course offerings and technology paths.

Icon Conventions

The documentation set is designed to give the reader more visual clues. The following graphic icons are used throughout the documentation set.



DANGER: The signal word DANGER with the associated safety icon implies information that, if disregarded, will result in death or serious injury.



WARNING: The signal word WARNING with the associated safety icon implies information that, if disregarded, could result in death or serious injury, or serious product damage.



CAUTION: The signal word CAUTION with the associated safety icon implies information that, if disregarded, may result in minor or moderate injury, or serious product damage.

CAUTION: The signal word CAUTION may be used without the safety icon to state potential damage or injury that is not related to the product.




IMPORTANT: IMPORTANT statements contain information that is crucial to the discussion at hand, but is not a CAUTION or WARNING. There is no warning level associated with the IMPORTANT statement.



NOTE: NOTICE contains information more important than the surrounding text, such as exceptions or preconditions. They also refer the reader elsewhere for additional information, remind the reader how to complete an action (when it is not part of the current procedure, for instance), or tell the reader where something is on the screen. There is no warning level associated with a notice.

Style Conventions

The following style conventions are used:

Convention	Description
Bold	This typeface is used for names of, for instance, windows, buttons, and labels when these names appear on the screen (example: the Alarms Browser window). When it is clear that we are referring to, for instance, a button, the name is used alone (example: Click OK).
Monospacing font in bold	This typeface is used for words to be typed in exactly as they are shown in the text (example: In the Address field, type <code>http://ucs01.ucs:9080/</code>).
Monospacing font	This typeface is used for messages, prompts, and other text displayed on the computer screen (example: A new trap destination has been added).
<i><Monospacing font in bold Italic></i>	This typeface is used with angle brackets as placeholders for a specific member of the group that the words represent (example: <i><router number></i>).  NOTE: In sequences to be typed in, the angle brackets are omitted to avoid confusion whether to include the angle brackets in the text to be typed.
CAPITAL LETTERS	This typeface is used for keyboard keys (example: Press Y, and then press ENTER).
<i>Italic</i>	This typeface is used for citations. A citation usually is the name of a document or a phrase from another document (example: <i>Dimetra IP System Overview</i>).
→	An → (arrow pointing right) is used for indicating the menu or tab structure in instructions on how to select a certain menu item (example: File → Save) or a certain subtab.

Contents

Safety and Legal	2
Contact Us	5
Icon Conventions	6
Style Conventions	7
Chapter 1: Charger Overview	9
1.1 Authorized Accessories.....	10
1.1.1 Authorized Battery, Charging Cable, and Power Adapters.....	10
Chapter 2: Operating Instructions	11
2.1 Charging Procedure.....	11
2.2 Charger LED Indication.....	11
2.3 Charging Diagrams.....	12

Chapter 1

Charger Overview

Figure 1: Mag One Single-Unit Charger PMLN8599

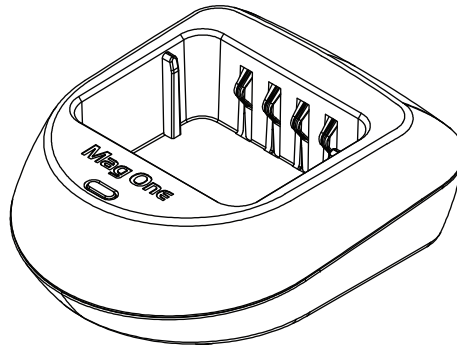


Figure 2: Front and Rear View

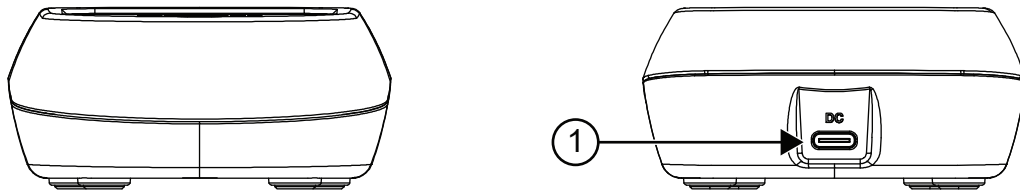


Figure 3: Top and Bottom View

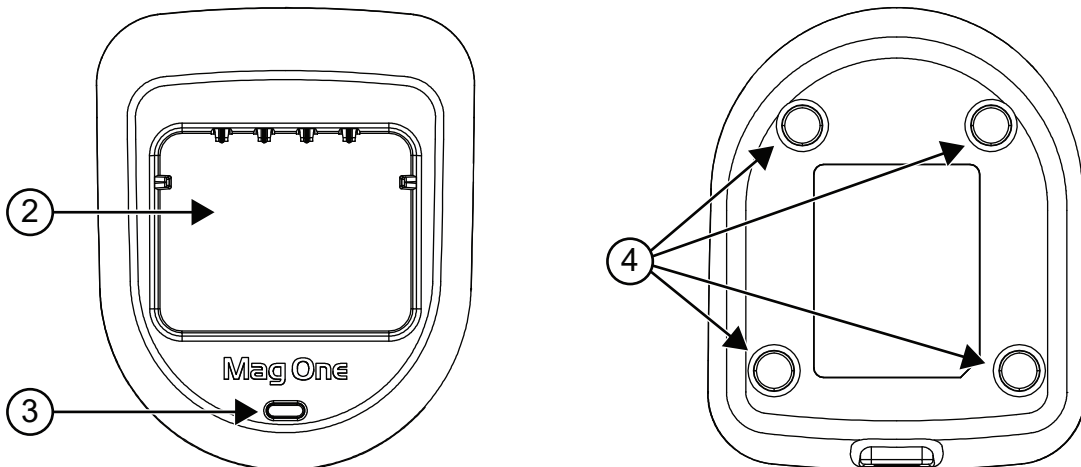


Table 1: Charger Overview

Item	Description
1	USB-C Inlet Socket
2	Charging Pocket
3	LED Indicator
4	Antislip Pads

1.1

Authorized Accessories

This section list out authorized accessories to be used with your charger.

1.1.1

Authorized Battery, Charging Cable, and Power Adapters

Table 2: Authorized Battery

Part Number	Description
PMNN4847_	Battery Lithium Ion 2200 mAh

Table 3: Authorized Charging Cable and Power Adapters

Part Number	Description
PS000150A31	United States/Japan Adapter USB-A Detachable
PS000150A32	Europe Adapter USB-A Detachable
PS000150A35	Argentina Adapter USB-A Detachable
PS000150A36	China Adapter USB-A Detachable
PS000150A38	Brazil Adapter USB-A Detachable
PMKN4274_	USB-A to USB-C Cable (Charging only)

Chapter 2

Operating Instructions

2.1

Charging Procedure

You can charge a stand-alone battery or a battery attached to a radio. Charge the batteries at room temperature for optimal charging performance.

Procedure:

1. Place the charger on a flat surface.
2. Connect the USB-A plug end of the charging cable to the power adapter.
3. Firmly insert the USB-C plug end of the charging cable into the USB-C inlet socket at the back of the charger.
4. Plug the power adapter into a matching power outlet.

The LED indicator illuminates red for one second on successful power-up. Check the power supply cord connection if the LED indicator fails to illuminate.

5. Insert a radio or a stand-alone battery into the charging pocket.
6. When your radio or the stand-alone battery is properly placed in the charging pocket, the LED illuminates steady red indicating charging is in progress.

Result: The LED indicator illuminates steady green on charging completion.



NOTE:



- Battery charging is stopped immediately upon charging completion. If a fully charged battery is placed into the charger, the charger will charge the battery for 10 seconds and stop charging.
- The time taken to fully charge a stand-alone battery and a battery attached to the radio is the same provided that the radio is turned off during charging.




2.2

Charger LED Indication

The following table describes the LED indications when the charger is in use.

Table 4: Charging Indication

LED Indication	Charger Status
 LED illuminates red for one second and turns off	Power is connected.
 LED off	No battery is inserted.

LED Indication	Charger Status
 LED illuminates steady red	Battery charging is in progress.
 LED illuminates steady green	The battery is fully charged.
 LED blinking red	Fault.

2.3

Charging Diagrams

Figure 4: Plugging in the Single-Unit Charger

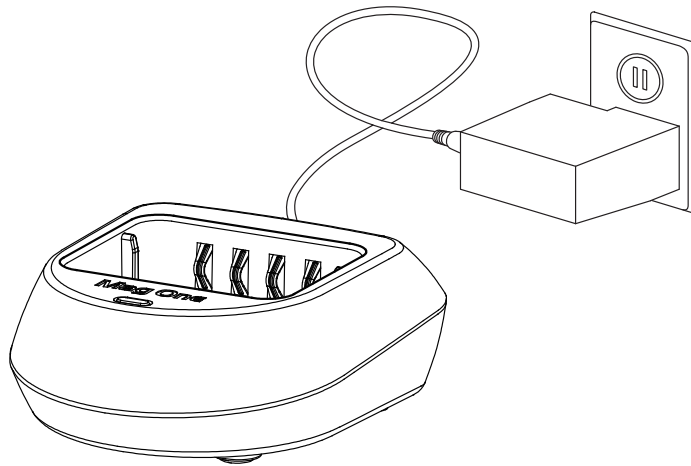


Figure 5: Charging a Stand-Alone Battery

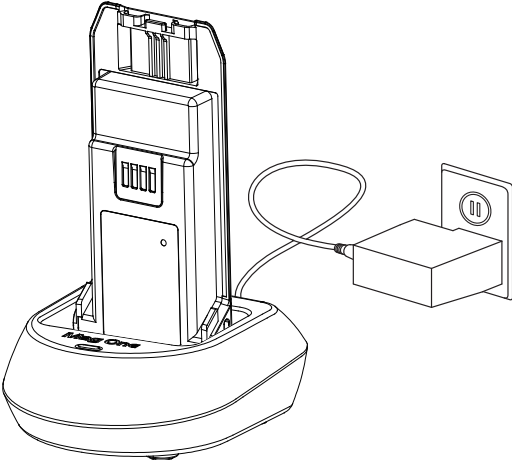


Figure 6: Charging a Battery Attached to Your Radio

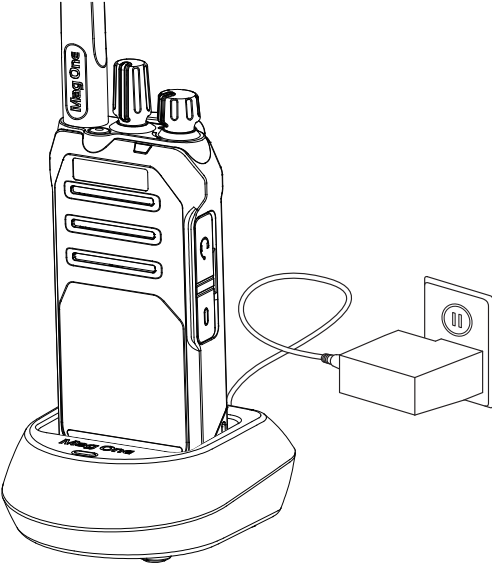
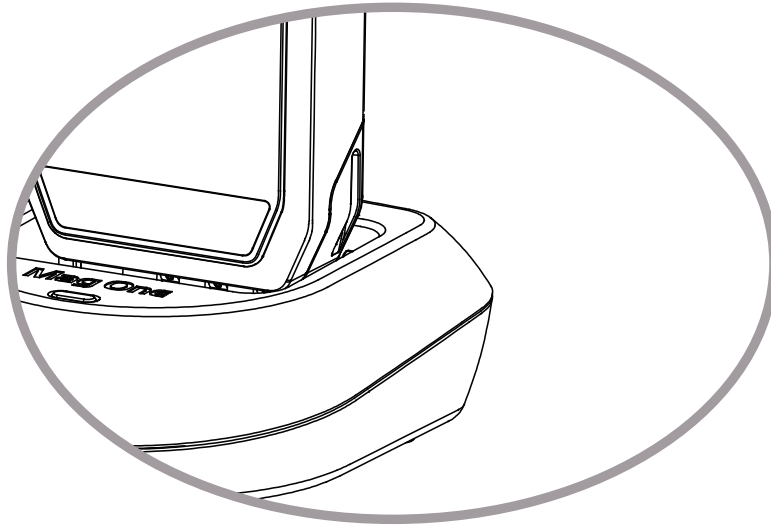


Figure 7: Aligning the Battery Slot with the Charger Guide



Guide d'utilisation du chargeur individuel Mag One PMLN8599

JUIN 2024

© 2024 Motorola Solutions, Inc. All Rights Reserved.



MN010372A01-AB

Sécurité et aspect juridique

Cette section fournit des renseignements sur la sécurité et l'aspect juridique pour ce produit.

Propriété intellectuelle et avis réglementaires

Droits d'auteur

Les produits Motorola Solutions décrits dans ce document peuvent inclure des programmes informatiques Motorola Solutions protégés par des droits d'auteur. Les lois des États-Unis et d'autres pays garantissent certains droits exclusifs à Motorola Solutions pour ces programmes informatiques protégés par des droits d'auteur. En conséquence, il est interdit de copier ou de reproduire, de quelque manière que ce soit, les programmes informatiques Motorola Solutions protégés par des droits d'auteur contenus dans les produits Motorola Solutions décrits dans ce document sans l'autorisation expresse et écrite de Motorola Solutions.

Aucune partie du présent document ne peut être reproduite, transmise, stockée dans un système de récupération ou traduite dans toute autre langue ou tout autre langage informatique, sous quelque forme ou par quelque moyen que ce soit, sans l'autorisation écrite préalable de Motorola Solutions, Inc.

Marques de commerce

MOTOROLA, MOTO, MOTOROLA SOLUTIONS, and the Stylized M Logo are trademarks or registered trademarks of Motorola Trademark Holdings, LLC and are used under license. All other trademarks are the property of their respective owners.

Droits de licence

L'acquisition de produits Motorola Solutions ne saurait en aucun cas conférer de licence, directement, indirectement ou de toute autre manière, en vertu des droits d'auteur, brevets ou demandes de brevet appartenant à Motorola Solutions, autres que la licence habituelle d'utilisation non exclusive et libre de droit qui découle légalement de la vente du produit.

Contenu à code source libre

Ce produit peut contenir des logiciels libres utilisés sous licence. Reportez-vous au support d'installation du produit pour obtenir tous les avis juridiques relatifs aux logiciels libres et aux contenus d'attribution.

Directive sur la mise au rebut des équipements électriques et électroniques (DEEE) de l'Union européenne (UE) et du Royaume-Uni (RU)



La directive DEEE de l'Union européenne et les réglementations DEEE du Royaume-Uni exigent que les produits (ou leur emballage, dans certains cas) vendus dans les pays de l'UE ou au Royaume-Uni portent l'étiquette de la poubelle barrée. Comme le définit la directive DEEE, cette étiquette de poubelle barrée signifie que les clients et les utilisateurs finaux dans les pays de l'UE et du Royaume-Uni ne doivent pas jeter les équipements électriques et électroniques ou leurs accessoires dans les ordures domestiques.

Les clients ou les utilisateurs finaux au sein de l'UE et du Royaume-Uni doivent prendre contact avec le représentant local du fournisseur de leur équipement ou le centre de service pour obtenir des informations sur le système de collecte des déchets dans leur pays.

Avis de non-responsabilité

Veillez noter que certaines fonctionnalités, installations et capacités décrites dans ce document pourraient ne pas s'appliquer ou être accordées sous licence pour l'utilisation sur un système particulier, ou pourraient dépendre des caractéristiques d'une unité mobile d'abonné ou d'une configuration de certains paramètres. Contactez votre représentant Motorola Solutions pour en savoir plus.

© 2024 Motorola Solutions, Inc. All Rights Reserved

Instructions importantes en matière de sécurité

Le présent document contient des instructions importantes en matière de sécurité et d'utilisation. Veuillez lire attentivement ces instructions et les conserver pour consultation ultérieure.



MISE EN GARDE :

1. Pour réduire le risque de dommages au cordon d'alimentation, tirez sur la fiche et non sur le cordon au moment de débrancher celui-ci de la prise c.a. ou du chargeur.
2. N'utilisez pas de rallonge, sauf en cas d'absolue nécessité. L'utilisation d'une rallonge inappropriée peut entraîner un risque d'incendie et de choc électrique. Si une rallonge doit être utilisée, assurez-vous que le cordon est de calibre 18 AWG lorsque sa longueur est de 2,0 m (6,5 pieds) ou moins, et de calibre 16 AWG lorsque sa longueur est de 3,0 m (9,8 pieds) ou moins.
3. Pour réduire le risque d'incendie, de choc électrique ou de blessure, n'utilisez pas le chargeur s'il est brisé ou endommagé de quelque manière que ce soit. Apportez-le à un représentant de service qualifié de Motorola Solutions.
4. Ne démontez pas le chargeur. Le démontage du chargeur peut entraîner un risque de choc électrique ou d'incendie.
5. Pour réduire le risque de choc électrique, débranchez le cordon d'alimentation du chargeur de la prise c.a. avant d'entreprendre tout entretien ou nettoyage.
6. Pour réduire le risque de blessures, chargez uniquement des batteries rechargeables approuvées par Motorola Solutions. D'autres batteries peuvent exploser, ce qui peut causer des blessures et des dommages.
7. L'utilisation d'accessoires non recommandés par Motorola Solutions peut entraîner des risques d'incendie, de choc électrique ou de blessures.
8. Toute modification apportée à cet appareil sans l'autorisation expresse de Motorola Solutions peut annuler l'autorisation d'utiliser cet appareil.

Directives d'utilisation sécuritaire

- Cet appareil n'est pas adapté à une utilisation en extérieur. Ne l'utilisez que dans des endroits/conditions secs.
- La température ambiante maximale autour du chargeur ne doit pas dépasser 40 °C (104 °F).
- Pour garantir une performance de recharge optimale, éteignez la radio pendant la recharge, sauf si l'appareil transmet des données sans fil par Wi-Fi ou Bluetooth.
- Branchez le chargeur uniquement sur les blocs d'alimentation et avec les cordons d'alimentation appropriés indiqués dans [Batterie, câble de charge et adaptateurs d'alimentation approuvés à la page 10](#).
- La prise de courant sur laquelle le bloc d'alimentation est branché doit se trouver à proximité et être facilement accessible.

- Assurez-vous que le cordon du bloc d'alimentation qui est branché sur le chargeur ne peut pas facilement être piétiné, faire trébucher quelqu'un, être exposé à l'eau, risquer d'être endommagé, ou être soumis à des contraintes.
- Ne branchez le bloc d'alimentation que sur une prise c.a. à fusible câblée appropriée, de tension prescrite telle que spécifiée sur le produit.
- Débranchez le chargeur de la tension de secteur en retirant le cordon d'alimentation de la prise de courant c.a.
- Ne branchez pas plus de blocs d'alimentation de chargeur que le nombre approprié sur un circuit de 15 A ou 20 A, tel que limité par toute barre d'alimentation certifiée utilisée.



REMARQUE :

Le branchement en série de barres d'alimentation n'est pas recommandé. La charge du circuit doit être limitée à moins de 80 % de sa valeur nominale.

Garantie

La trousse du chargeur est couverte par la garantie limitée standard de Motorola Solutions. Communiquez avec votre détaillant Motorola Solutions ou votre point de vente pour obtenir des renseignements détaillés.

Communiquer avec nous

Le centre des opérations de soutien centralisé (« Centralized Managed Support Operations » ou CMSO) est le point de contact principal pour le soutien technique compris dans l'entente de service de votre organisation avec Motorola Solutions. Pour accélérer les temps de réponse aux clients en cas de problème, Motorola Solutions assure un soutien dans plusieurs pays du monde entier.

Les clients disposant d'ententes de service doivent s'assurer d'appeler le CMSO dans toutes les situations énumérées dans la section Responsabilités du client de leur entente de service, notamment :

- Pour confirmer les résultats du dépannage et de l'analyse avant de prendre des mesures

Votre entreprise a reçu les numéros de téléphone du soutien et d'autres coordonnées appropriées pour votre région géographique et votre entente de service. Utilisez ces informations pour obtenir la meilleure réponse possible. Cependant, si nécessaire, vous pouvez également trouver les coordonnées du soutien général sur le site Web de Motorola Solutions, en suivant les étapes ci-dessous :

1. Saisissez motorolasolutions.com dans votre navigateur.
2. Vous devez vous assurer que le pays ou la région de votre organisation se trouve sur la page. Cliquez ou appuyez sur le nom de la région pour la changer.
3. Sélectionnez « Soutien » à la page motorolasolutions.com.

Commentaires

Envoyez vos questions et commentaires concernant la documentation destinée aux utilisateurs à l'adresse documentation@motorolasolutions.com.

Pour signaler une erreur dans la documentation, veuillez fournir les renseignements suivants :

- Le titre du document et le numéro de pièce
- Le numéro de la page ou le titre de la section contenant l'erreur
- Une description de l'erreur

Motorola offre plusieurs cours conçus pour vous aider à apprendre à utiliser le système. Pour en savoir davantage et consulter la liste des cours actuellement offerts ainsi que les cheminements technologiques, veuillez consulter <https://learning.motorolasolutions.com>.

Conventions des icônes

L'ensemble de documentation est conçu pour donner au lecteur plus d'indices visuels. Les icônes suivantes sont utilisées dans tout l'ensemble de documentation.



DANGER :

Le mot-indicateur DANGER avec l'icône de sécurité associée comprend de l'information qui, si elle est ignorée, peut entraîner la mort ou des blessures graves.



AVERTISSEMENT :

Le mot-indicateur AVERTISSEMENT avec l'icône de sécurité associée comprend de l'information qui, si elle est ignorée, peut entraîner la mort ou des blessures graves ou de graves dommages au produit.



MISE EN GARDE :

Le mot-indicateur MISE EN GARDE avec l'icône de sécurité associée comprend de l'information qui, si elle est ignorée, peut entraîner des blessures mineures ou modérées ou de graves dommages au produit.

MISE EN GARDE :

Le mot-indicateur MISE EN GARDE peut être utilisé sans l'icône de sécurité pour signaler de possibles blessures ou dommages qui ne sont pas liés au produit.



IMPORTANT :

Les énoncés avec le mot-indicateur IMPORTANT contiennent des informations cruciales sur le sujet abordé, mais ne sont pas des MISES EN GARDE ni des AVERTISSEMENTS. Aucun niveau d'avertissement n'est associé aux énoncés « IMPORTANT ».



REMARQUE :

Un AVIS contient des informations plus importantes que le texte avoisinant, comme des exceptions ou des conditions préalables. Les avis peuvent également renvoyer le lecteur ailleurs pour des renseignements supplémentaires, lui rappeler comment effectuer une action (lorsqu'elle ne fait pas partie de la présente procédure, par exemple) ou lui dire où se trouve quelque chose à l'écran. Aucun niveau d'avertissement n'est associé à un avis.

Conventions de style

Les conventions de style suivantes sont utilisées :


Convention	Description
Gras	Ce type de police est utilisé pour les noms de fenêtres, de touches et d'étiquettes, lorsque ces noms apparaissent à l'écran (exemple : fenêtre Navigateur d'alarmes). Lorsqu'il est clair que nous faisons référence, par exemple, à une touche, le nom est utilisé seul (exemple : Cliquez sur OK).
Monospacing font in bold	Ce type de police est utilisé pour les mots qui doivent être tapés exactement comme ils sont illustrés dans le texte (exemple : Dans le champ Adresse , tapez <code>http://ucs01.ucs:9080/</code>).
Police à espacement constant	Ce type de police est utilisé pour les messages, les messages-guides et autres textes affichés à l'écran de l'ordinateur (exemple : Une nouvelle destination de rejet a été ajoutée).
<Police à espacement constant en gras italique>	Ce type de police est utilisé avec des crochets en chevron pour identifier un paramètre fictif pour un membre spécifique du groupe que les mots représentent (exemple : <numéro de routeur>).  REMARQUE : Dans les séquences à taper, les crochets en chevron sont omis afin d'éviter toute confusion quant à l'inclusion des crochets dans le texte à taper.
LETTRES MAJUSCULES	Ce type de caractères est utilisé pour les touches de clavier (exemple : Appuyez sur Y, puis sur ENTRÉE).
<i>Italique</i>	Ce type de police est utilisé pour les citations. Une citation est habituellement le nom d'un document ou une phrase provenant d'un autre document (exemple : <i>Présentation du système Dimetra IP</i>).
→	Un signe → (flèche pointant vers la droite) sert à indiquer la structure de menu ou d'onglet dans les instructions pour sélectionner un élément de menu (exemple : Fichier → Enregistrer) ou un sous-onglet particulier.

Table des matières

Sécurité et aspect juridique.....	2
Communiquer avec nous.....	5
Conventions des icônes.....	6
Conventions de style.....	7
Chapitre 1 : Présentation du chargeur.....	9
1.1 Accessoires autorisés.....	10
1.1.1 Batterie, câble de charge et adaptateurs d'alimentation approuvés.....	10
Chapitre 2 : Instructions d'utilisation.....	11
2.1 Procédure de charge.....	11
2.2 Indication du voyant DEL du chargeur.....	11
2.3 Schémas de charge.....	12

Chapitre 1

Présentation du chargeur

Figure 1 : Chargeur individuel Mag One PMLN8599

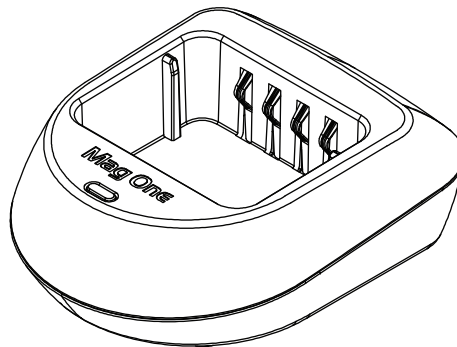


Figure 2 : Vues avant et arrière

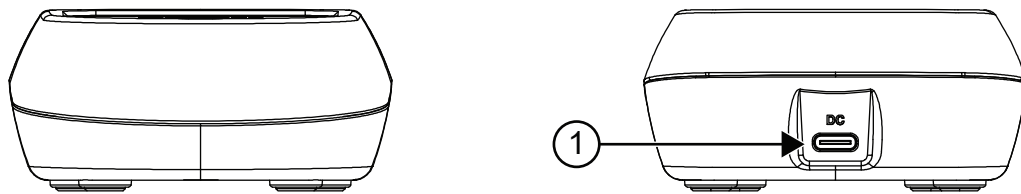


Figure 3 : Vues de dessus et de dessous

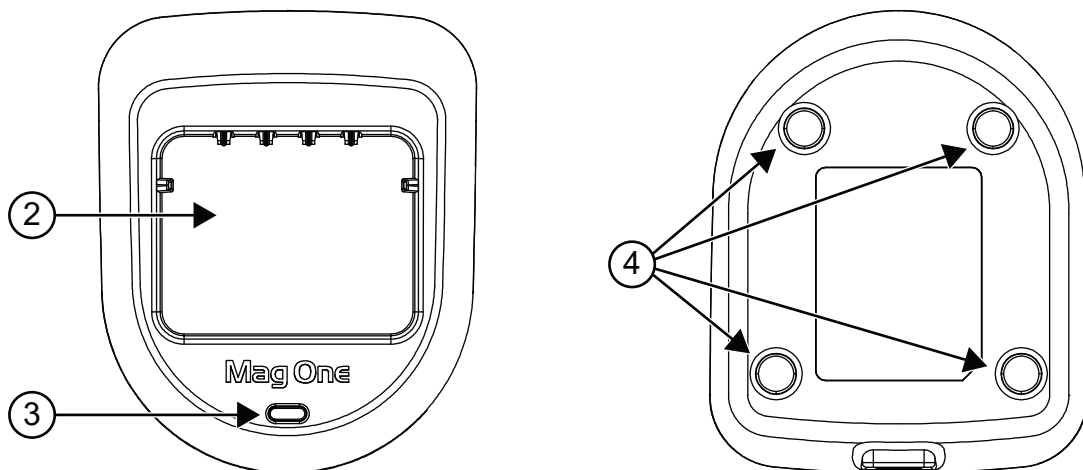


Tableau 1 : Présentation du chargeur

Composant	Description
1	Prise d'entrée USB-C
2	Compartiment de charge
3	Voyant DEL
4	Coussins antidérapants

1.1

Accessoires autorisés

Cette section énumère les accessoires dont l'utilisation est autorisée avec votre chargeur.

1.1.1

Batterie, câble de charge et adaptateurs d'alimentation approuvés

Tableau 2 : Batterie approuvée

Numéro de pièce	Description
PMNN4847_	Batterie au lithium-ion 2 200 mAh

Tableau 3 : Câble de charge et adaptateurs d'alimentation approuvés

Numéro de pièce	Description
PS000150A31	Adaptateur USB-A amovible États-Unis/Japon
PS000150A32	Adaptateur USB-A amovible Europe
PS000150A35	Adaptateur USB-A amovible Argentine
PS000150A36	Adaptateur USB-A amovible Chine
PS000150A38	Adaptateur USB-A amovible Brésil
PMKN4274_	Câble USB-A à USB-C (charge seulement)

Chapitre 2

Instructions d'utilisation

2.1

Procédure de charge

Vous pouvez charger une batterie autonome ou une batterie connectée à une radio. Chargez les batteries à la température ambiante pour une performance de charge optimale.

Procédure :

1. Placez le chargeur sur une surface plane.
2. Branchez l'extrémité USB-A du câble de charge dans l'adaptateur d'alimentation.
3. Insérez fermement l'extrémité USB-C du câble de charge dans la prise d'entrée USB-C à l'arrière du chargeur.
4. Branchez l'adaptateur d'alimentation à une prise de courant appropriée.
Le voyant DEL s'allume en rouge pendant une seconde lorsque la mise sous tension est réussie. Si le voyant DEL ne s'allume pas, vérifiez le branchement du cordon du bloc d'alimentation.
5. Insérez une batterie connectée à une radio ou une batterie autonome dans le compartiment de charge.
6. Lorsque la batterie connectée à une radio ou la batterie autonome est correctement placée dans le compartiment de charge, le voyant DEL s'allume en rouge de façon permanente pour indiquer que la charge est en cours.

Résultat :

Le voyant DEL s'allume en vert de façon permanente lorsque la charge est terminée.



REMARQUE :


- Le processus de charge de la batterie s'arrête immédiatement lorsque la charge est terminée. Si une batterie complètement chargée est insérée dans le chargeur, celui-ci la chargera pendant 10 secondes puis cessera la charge.
- Le temps nécessaire pour charger complètement une batterie autonome ou une batterie connectée à une radio est le même si la radio est éteinte pendant la charge.





2.2

Indication du voyant DEL du chargeur

Le tableau suivant décrit les indications du voyant DEL lorsque le chargeur est utilisé.

Tableau 4 : Indication de charge

Voyant DEL	État du chargeur
 Le voyant à DEL s'allume en rouge pendant 1 seconde et s'éteint	L'alimentation est branchée.

Voyant DEL	État du chargeur
 Voyant à DEL éteint	Aucune batterie n'est insérée.
 Le voyant à DEL s'allume en rouge de façon permanente	La charge de la batterie est en cours.
 Le voyant à DEL s'allume en vert de façon permanente	La batterie est entièrement chargée.
 Le voyant à DEL clignote en rouge	Erreur.

2.3

Schémas de charge

Figure 4 : Branchement dans le chargeur individuel

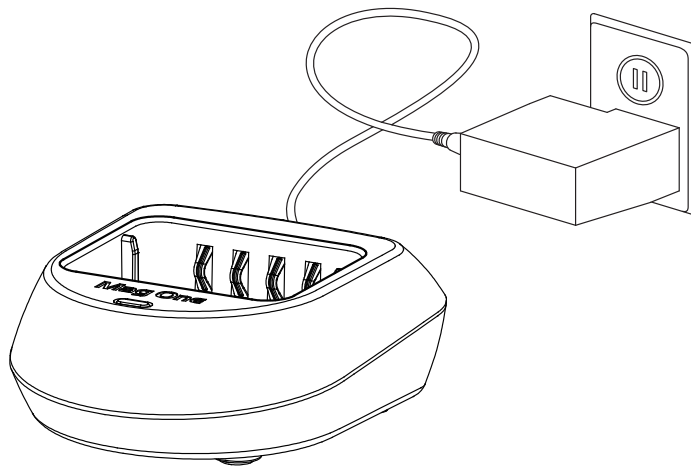


Figure 5 : Charge d'une batterie autonome

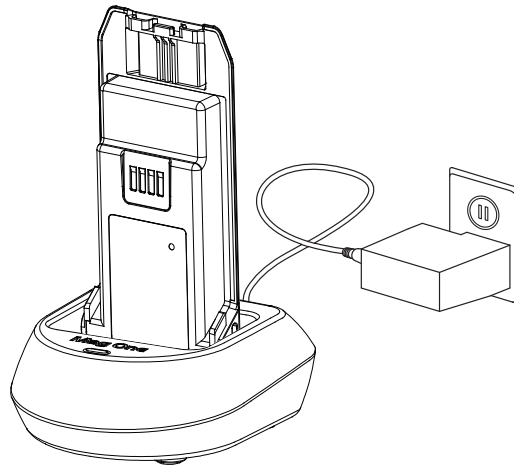


Figure 6 : Charge d'une batterie connectée à la radio

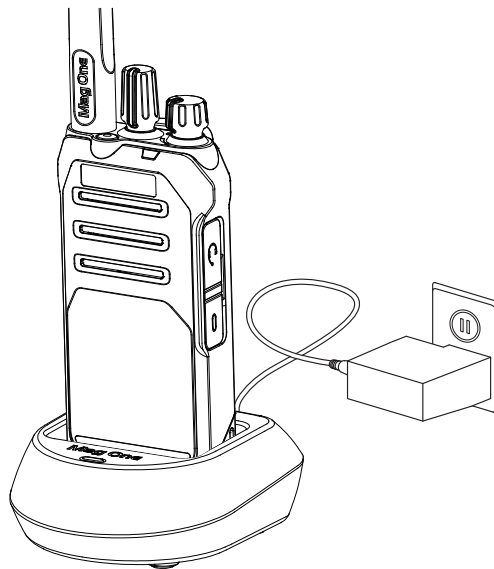
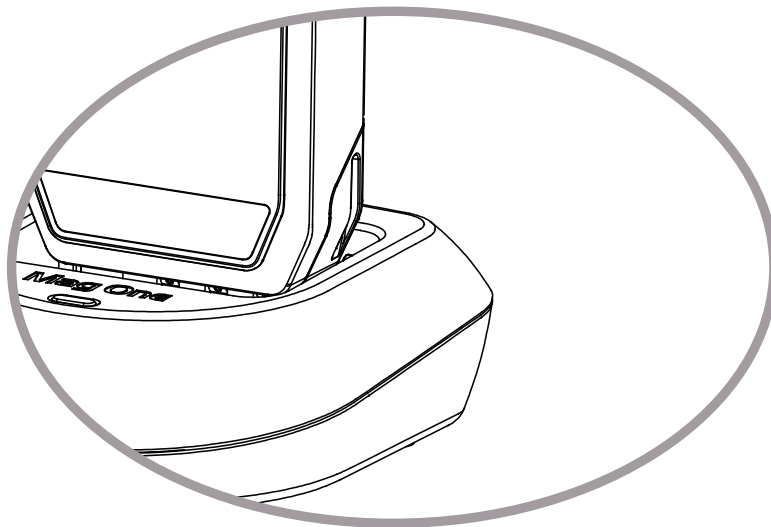


Figure 7 : Alignement de la fente de la batterie sur le guide du chargeur



Guía del usuario del cargador para una unidad Mag One PMLN8599

JUNIO DEL 2024

© 2024 Motorola Solutions, Inc. All Rights Reserved.



MN010372A01-AB

Información sobre seguridad y aspectos legales

Esta sección contiene información sobre la seguridad y los aspectos legales de este producto.

Propiedad intelectual y avisos normativos

Derechos de autor

Entre los productos de Motorola Solutions que se describen en esta documentación, se pueden incluir programas informáticos de Motorola Solutions que están protegidos por derechos de autor. Las leyes de Estados Unidos y de otros países reservan para Motorola Solutions ciertos derechos exclusivos sobre los programas informáticos protegidos por derechos de autor. Del mismo modo, los programas informáticos protegidos por derechos de autor de Motorola Solutions incluidos en los productos de Motorola Solutions descritos en esta guía no se podrán copiar ni reproducir de ninguna forma sin el expreso consentimiento por escrito de Motorola Solutions.

Ninguna parte de este documento se puede reproducir, transmitir, almacenar en un sistema recuperable ni traducir a ningún idioma ni lenguaje informático, de ninguna forma ni por ningún medio, sin la autorización expresa por escrito de Motorola Solutions, Inc.

Marcas comerciales

MOTOROLA, MOTO, MOTOROLA SOLUTIONS, and the Stylized M Logo are trademarks or registered trademarks of Motorola Trademark Holdings, LLC and are used under license. All other trademarks are the property of their respective owners.

Derechos de licencia

No se considerará que la compra de productos Motorola Solutions otorgue, de forma directa, implícita, por exclusión ni de ningún otro modo, una licencia sobre los derechos de autor, las patentes o las solicitudes de patentes de Motorola Solutions, excepto la licencia normal, no exclusiva y libre de regalías de uso que surge por efecto de la ley de la venta de un producto.

Contenido de código abierto

Este producto puede contener un software de código abierto utilizado bajo licencia. Consulte los medios de instalación del producto para obtener el contenido completo de atribución y avisos legales de código abierto.

Directiva de Residuos de Aparatos Eléctricos y Electrónicos (RAEE) de la Unión Europea (UE) y el Reino Unido (RU)



En la directiva de RAEE de la Unión Europea y el Reino Unido, se exige que los productos que se venden en los países de la UE y en el RU tengan la etiqueta de un bote de basura tachado sobre el producto (o en el envase en algunos casos). Como se define en la directiva de RAEE, esta etiqueta con un bote de basura tachado indica que los clientes y los usuarios finales en los países de la UE y el Reino Unido no deben desechar equipos ni accesorios eléctricos y electrónicos en la basura doméstica.

Los clientes o los usuarios finales en los países de la UE y en el Reino Unido deben comunicarse con su representante distribuidor de equipos o centro de servicio locales para obtener información acerca del sistema de recolección de residuos de su país.

Exención de responsabilidad

Tenga presente que determinadas funciones, características y capacidades que se describen en este documento pueden no ser aplicables o no tener licencia para su uso en un sistema específico, o bien depender de las características de una unidad de suscriptor móvil específico o la configuración de ciertos parámetros. Comuníquese con un representante de Motorola Solutions para obtener más información.

© 2024 Motorola Solutions, Inc. All Rights Reserved

Instrucciones de seguridad importantes

Este documento contiene instrucciones de seguridad y funcionamiento importantes. Lea atentamente estas instrucciones y consérvelas para futuras consultas.



PRECAUCIÓN:

1. Para reducir el riesgo de daños en los cables de alimentación, tire del enchufe en lugar del cable cuando lo desconecte del tomacorriente de CA o del cargador.
2. No se debe utilizar un cable de extensión, a menos que sea completamente necesario. El uso de un cable de extensión no adecuado podría ocasionar riesgo de incendio y descarga eléctrica. Si se debe utilizar un cable de extensión, asegúrese de que su tamaño sea de 18 AWG para longitudes de hasta 2 m (6,5 pies) y de 16 AWG para longitudes de hasta 3 m (9,8 pies).
3. Para reducir el riesgo de incendio, descarga eléctrica o lesiones, no utilice el cargador si está roto o dañado. Llévelo a un representante de mantenimiento calificado de Motorola Solutions.
4. No desarme el cargador. Hacerlo puede provocar un riesgo de descarga eléctrica o incendio.
5. Para reducir el riesgo de descarga eléctrica, desenchufe el cable de alimentación del cargador del tomacorriente de CA antes de intentar realizar cualquier tarea de mantenimiento o limpieza.
6. Para reducir el riesgo de lesiones, cargue solo las baterías recargables autorizadas por Motorola Solutions. Otras baterías pueden explotar, lo que puede causar lesiones personales y daños.
7. El uso de accesorios no recomendados por Motorola Solutions puede ocasionar un riesgo de incendio, descarga eléctrica o lesiones.
8. Los cambios o las modificaciones que se realicen en este dispositivo, pero que no estén aprobados expresamente por Motorola Solutions, podrían anular el permiso del usuario para operar este equipo.

Pautas de seguridad de funcionamiento

- Este equipo no debe utilizarse en áreas exteriores. Utilícelo solo en lugares y condiciones secos.
- La temperatura ambiente máxima alrededor del cargador no debe exceder los 40 °C (104 °F).
- Apague el radio mientras se carga para garantizar un rendimiento de carga optimizado, a menos que el dispositivo esté transmitiendo datos de forma inalámbrica a través de Wi-Fi o Bluetooth.
- Conecte el cargador solo a fuentes y cables de alimentación adecuados, los cuales se indican en [Baterías, cables de carga y adaptadores de alimentación autorizados en la página 10](#).
- El tomacorriente de CA al que está conectada la fuente de alimentación debe estar cerca de este y debe ser de fácil acceso.
- Asegúrese de que nadie pise el cable de alimentación conectado al cargador ni tropiece con él, además de que no esté expuesto a agua, daños o tensión.
- Conecte la fuente de alimentación solo a un tomacorriente de CA con los fusibles y cables adecuados con el voltaje correcto, tal como se especifica en el producto.

- Para desconectarlo del voltaje de línea, retire el cable de la fuente de alimentación del tomacorriente de CA.
- No conecte más de la cantidad apropiada de fuentes de alimentación del cargador a un circuito de 15 A o 20 A, según el límite de la regleta certificada que se utilice.



NOTA:

No se recomienda el uso de regletas de conexión en cadena. La carga del circuito debe limitarse a menos del 80 % de la capacidad nominal del circuito.

Garantía

El kit de cargador cuenta con una garantía limitada estándar de Motorola Solutions. Consulte a su distribuidor o punto de venta de Motorola Solutions para obtener información detallada.

Comuníquese con nosotros

El equipo de Operaciones centralizadas de soporte administrado (CMSO) es el principal contacto para solicitar la asistencia técnica incluida en el contrato de servicio de su organización con Motorola Solutions. Con el fin de ofrecer un tiempo de respuesta más rápido para los problemas de los clientes, Motorola Solutions brinda asistencia desde varios países del mundo.

Los clientes con contrato de servicio deben llamar a CMSO en todas las situaciones que se mencionan en la sección “Responsabilidades del cliente” de su contrato, por ejemplo:

- Para confirmar los resultados y el análisis de la solución de problemas antes de tomar medidas.

Su organización recibió números telefónicos de asistencia y otros datos de contacto de acuerdo con su región geográfica y contrato de servicio. Use esa información de contacto para obtener una respuesta más eficaz. Sin embargo, de ser necesario, también puede encontrar información de contacto de asistencia general en el sitio web de Motorola Solutions si realiza los siguientes pasos:

1. Ingrese a motorolasolutions.com en su navegador.
2. Asegúrese de que el país o la región de su organización aparezcan en la página. Haga clic en el nombre de la región o presiónela para cambiarla.
3. Seleccione “Support” en la página motorolasolutions.com.

Comentarios

Envíe preguntas y comentarios acerca de la documentación del usuario a documentation@motorolasolutions.com.

Proporcione la siguiente información cuando informe sobre un error de documentación:

- El título del documento y el número de pieza.
- El número de página o el título de la sección que contiene el error.
- Una descripción del error.

Motorola Solutions ofrece diversos cursos diseñados para ayudar a conocer el sistema. Si desea obtener información, vaya a <https://learning.motorolasolutions.com> para ver las ofertas de cursos actuales y las rutas tecnológicas.

Convenciones de íconos

El conjunto de documentación está diseñado para proporcionarle al lector indicaciones visuales adicionales. Los siguientes íconos gráficos se usan en todo el conjunto de documentación.



PELIGRO:

La palabra de señal PELIGRO con el ícono de seguridad asociado indica información que, si se ignora, provocará la muerte o heridas graves.



ADVERTENCIA:

La palabra de señal ADVERTENCIA con el ícono de seguridad asociado indica información que, si se ignora, puede provocar la muerte, heridas graves o un daño importante al producto.



PRECAUCIÓN:

La palabra de señal PRECAUCIÓN con el ícono de seguridad asociado indica información que, si se ignora, podría provocar heridas leves o moderadas, o un daño grave al producto.

PRECAUCIÓN:

La palabra de señal PRECAUCIÓN puede usarse sin el ícono de seguridad para indicar posibles daños o heridas no relacionados con el producto.



IMPORTANTE:

Las declaraciones identificadas con la palabra IMPORTANTE contienen información que es fundamental para el tema tratado, pero que no se considera una PRECAUCIÓN ni una ADVERTENCIA. No hay ningún nivel de advertencia asociado con la declaración IMPORTANTE.




NOTA:

El AVISO contiene información más importante que el texto circundante, como excepciones o condiciones previas. En los avisos, también se dirige al lector a información adicional, se le recuerda cómo completar una acción (por ejemplo, cuando no es parte del procedimiento actual) o se le indica dónde está algo en la pantalla. No hay ningún nivel de advertencia asociado con un aviso.

Convenciones de estilo

Se utilizan las siguientes convenciones de estilo:

Convención	Descripción
Negrita	Este tipo de letra se usa para nombres (por ejemplo: nombres de ventanas, botones y etiquetas) cuando aparecen en la pantalla (por ejemplo: la ventana Navegador de alarmas). Cuando está claro que nos referimos, por ejemplo, a un botón, el nombre se usa solo (por ejemplo: haga clic en Aceptar).
Monospacing font in bold	Este tipo de letra se utiliza para palabras que se escriben exactamente como se muestran en el texto (por ejemplo: en el campo Dirección , escriba <code>http://ucs01.ucs:9080/</code>).
Fuente monoespaciada	Este tipo de letra se utiliza para mensajes, indicaciones y otros tipos de texto que se muestran en la pantalla de la computadora (por ejemplo: Se agregó un nuevo destino de captura).
<Fuente monoespaciada en negrita y cursiva>	Este tipo de letra se utiliza con paréntesis angulares como marcadores de posición para un miembro específico del grupo que las palabras representan (por ejemplo: <número de enrutador>).  NOTA: En las secuencias que se van a escribir, se omiten los paréntesis angulares para evitar alguna confusión con respecto a si estos se deben incluir en el texto que se escribirá.
MAYÚSCULAS	Este tipo de letra se utiliza para indicar teclas del teclado (por ejemplo: presione Y; luego, ENTER).
<i>Cursiva</i>	Este tipo de letra se usa para citas. Una cita suele ser el nombre de un documento o una frase de otro documento (por ejemplo: <i>Descripción general del sistema Dimetra IP</i>).
→	Una → (flecha hacia la derecha) se utiliza para indicar la estructura de menú o pestaña en las instrucciones sobre cómo seleccionar un determinado elemento del menú (por ejemplo: Archivo → Guardar) o una subpestaña determinada.

Contenido

Información sobre seguridad y aspectos legales.....	2
Comuníquese con nosotros.....	5
Convenciones de íconos.....	6
Convenciones de estilo.....	7
Capítulo 1: Descripción general del cargador.....	9
1.1 Accesorios autorizados.....	10
1.1.1 Baterías, cables de carga y adaptadores de alimentación autorizados.....	10
Capítulo 2: Instrucciones de funcionamiento.....	11
2.1 Procedimiento de carga.....	11
2.2 Indicación LED del cargador.....	11
2.3 Diagramas de carga.....	12

Capítulo 1

Descripción general del cargador

Figura 1: Cargador para una unidad Mag One PMLN8599

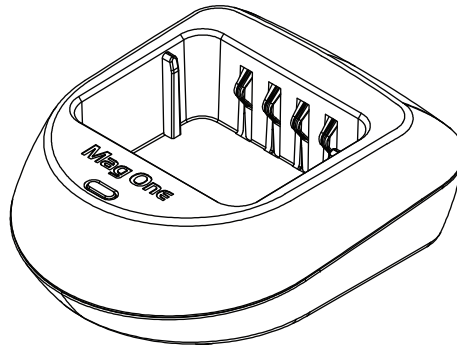


Figura 2: Vista delantera y trasera

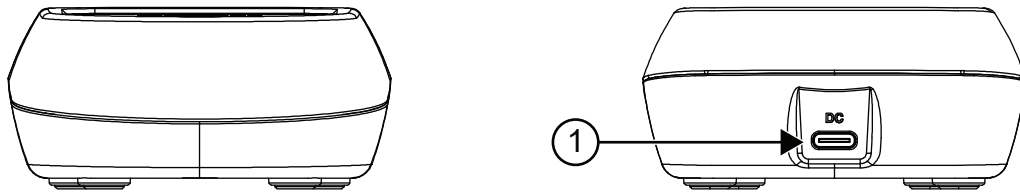
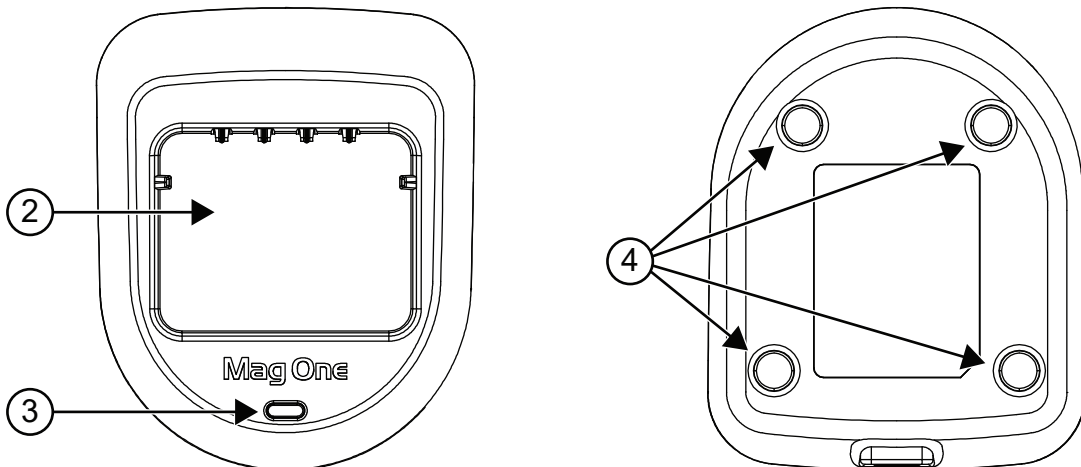


Figura 3: Vista superior e inferior



Mesa 1: Descripción general del cargador

Elemento	Descripción
1	Enchufe de la entrada de alimentación USB-C
2	Cavidad de carga
3	Indicador LED
4	Almohadillas antideslizantes

1.1

Accesorios autorizados

En esta sección, se indican los accesorios autorizados que se utilizarán con el cargador.

1.1.1

Baterías, cables de carga y adaptadores de alimentación autorizados**Mesa 2: Batería autorizada**

Número de pieza	Descripción
PMNN4847_	Batería de iones de litio de 2200 mAh

Mesa 3: Cables de carga y adaptadores de alimentación autorizados

Número de pieza	Descripción
PS000150A31	Adaptador USB-A extraíble para Estados Unidos/Japón
PS000150A32	Adaptador USB-A extraíble para Europa
PS000150A35	Adaptador USB-A extraíble para Argentina
PS000150A36	Adaptador USB-A extraíble para China
PS000150A38	Adaptador USB-A extraíble para Brasil
PMKN4274_	Cable de USB-A a USB-C (solo carga)

Capítulo 2

Instrucciones de funcionamiento

2.1

Procedimiento de carga

Puede cargar una batería independiente o una batería conectada a un radio. Cargue las baterías a temperatura ambiente para obtener un rendimiento de carga óptimo.

Procedimiento:

1. Coloque el cargador sobre una superficie horizontal.
2. Inserte el extremo del conector USB-A del cable de carga al adaptador de alimentación.
3. Inserte firmemente el extremo del conector USB-C del cable de carga en la toma de entrada USB-C ubicada en la parte posterior del cargador.
4. Conecte el adaptador de alimentación a un tomacorriente adecuado.
El indicador LED se ilumina de color rojo durante un segundo cuando se enciende correctamente. Verifique la conexión del cable de la fuente de alimentación si el indicador LED no se ilumina.
5. Inserte un radio o una batería independiente en la cavidad de carga.
6. Cuando el radio o la batería independiente están correctamente colocados en la cavidad de carga, el LED se ilumina de color rojo fijo para indicar que la carga está en curso.

Resultado:

El indicador LED se ilumina de color verde fijo al finalizar la carga.



NOTA:


- La carga de la batería se detiene inmediatamente después de que se completa la carga. Si se coloca una batería completamente cargada en el cargador, la batería se cargará durante 10 segundos y se detendrá.
- El tiempo necesario para cargar completamente una batería independiente y una batería conectada a un radio es el mismo, siempre que el radio esté apagado durante la carga.





2.2

Indicación LED del cargador

En la siguiente tabla, se describen las indicaciones LED cuando el cargador está en uso.

Mesa 4: Indicación de carga

Indicador LED	Estado del cargador
	La alimentación está conectada.
El LED se ilumina de color rojo durante un segundo y se apaga	

Indicador LED	Estado del cargador
 Indicador LED apagado	No ninguna batería insertada.
 El LED se ilumina de color rojo fijo	La carga de la batería está en curso.
 El LED se enciende de color verde fijo	La batería está completamente cargada.
 El LED parpadea de color rojo	Falla.

2.3

Diagramas de carga

Figura 4: Conexión del cargador para una unidad

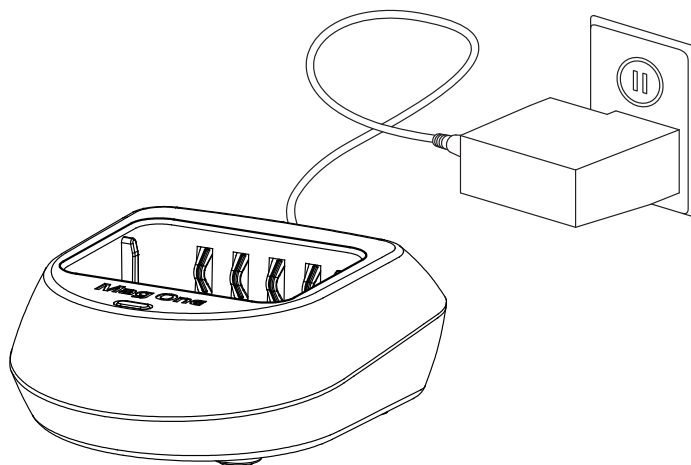


Figura 5: Carga de una batería independiente

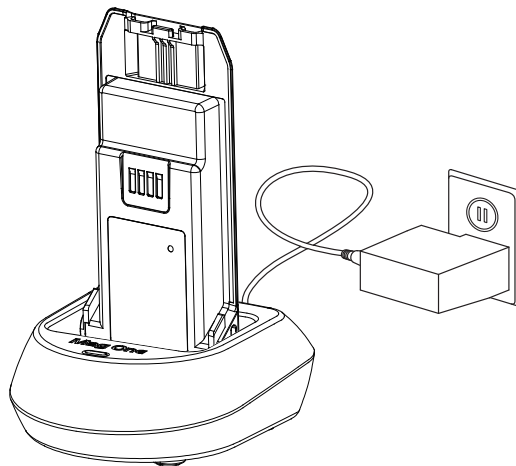


Figura 6: Carga de una batería conectada a un radio

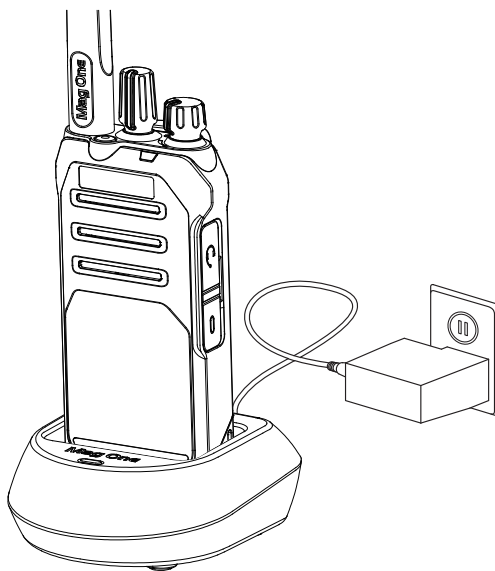
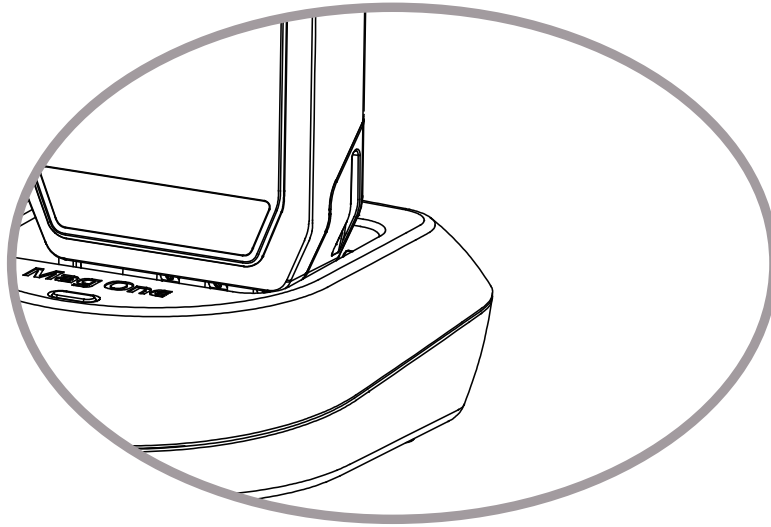


Figura 7: Alineación de la ranura de la batería con la guía del cargador



Guia do usuário do carregador para uma unidade Mag One PMLN8599

JUNHO DE 2024

© 2024 Motorola Solutions, Inc. All Rights Reserved.



MN010372A01-AB

Informações jurídicas e de segurança

Esta seção traz informações jurídicas e de segurança relacionadas a este produto.

Propriedade intelectual e comunicados regulatórios

Direitos autorais

Os produtos da Motorola Solutions descritos neste documento podem incluir programas de computador da Motorola Solutions protegidos por direitos autorais. As leis dos Estados Unidos e de outros países garantem determinados direitos exclusivos da Motorola Solutions que envolvem programas de computador protegidos por direitos autorais. Sendo assim, nenhum programa de computador protegido por direitos autorais da Motorola Solutions, incluído nos produtos da Motorola Solutions descritos neste documento, pode ser copiado ou reproduzido, de qualquer forma, sem permissão expressa por escrito da Motorola Solutions.

Nenhuma parte deste documento pode ser reproduzida, transmitida, armazenada em sistema de recuperação ou traduzida para qualquer idioma ou linguagem de computador, de forma nenhuma nem por nenhum meio, sem permissão prévia por escrito da Motorola Solutions, Inc.

Marcas registradas

MOTOROLA, MOTO, MOTOROLA SOLUTIONS, and the Stylized M Logo are trademarks or registered trademarks of Motorola Trademark Holdings, LLC and are used under license. All other trademarks are the property of their respective owners.

Direitos de licença

A aquisição de produtos da Motorola Solutions não pressupõe garantia, explícita ou implícita, por impedimento ou qualquer outra forma, de qualquer licença de direito autoral, patente ou aplicação de patente da Motorola Solutions, exceto a licença de uso regular não exclusiva, isenta de exploração de patente concedida por força de lei na venda de um produto.

Conteúdo de código aberto

Este produto pode conter software de código aberto usado conforme licença. Consulte na mídia de instalação do produto o conteúdo completo sobre Atribuições e comunicados jurídicos de código aberto.

Diretiva WEEE (Waste of Electrical and Electronic Equipment, resíduos de equipamentos elétricos e eletrônicos) da União Europeia e do Reino Unido



A diretiva WEEE da União Europeia e a regulamentação WEEE do Reino Unido exigem que os produtos vendidos nos países da União Europeia e do Reino Unido exibam a etiqueta de lixeira cruzada no produto (ou na embalagem, em alguns casos). Conforme definido pela diretiva WEEE, essa etiqueta de lixeira cruzada indica que os clientes e os usuários finais nos países da União Europeia e do Reino Unido não podem descartar equipamentos ou acessórios elétricos ou eletrônicos em lixo doméstico.

Os clientes ou usuários finais dos países da União Europeia e do Reino Unido devem entrar em contato com o representante do fornecedor do equipamento ou o centro de assistência local para obter informações sobre o sistema de coleta de lixo em seu país.

Isenção de responsabilidade

Observe que alguns recursos, facilidades e capacidades descritos neste documento podem não ser pertinentes ou licenciados para uso em um sistema específico ou podem depender das características de uma determinada unidade de rádio móvel ou da configuração de determinados parâmetros. Consulte seu contato da Motorola Solutions para mais informações.

© 2024 Motorola Solutions, Inc. All Rights Reserved

Instruções de segurança importantes

Este documento contém instruções de segurança e operação importantes. Leia estas instruções com atenção e guarde-as para consulta futura.



ATENÇÃO:

1. Para reduzir o risco de danos aos cabos de energia, puxe pelo plugue, não pelo fio, quando desconectar da tomada CA ou do carregador.
2. Não use extensão elétrica, a menos que seja absolutamente necessário. O uso de extensões impróprias pode causar incêndio e choque elétrico. Caso seja necessário utilizar uma extensão elétrica, verifique se o tamanho da extensão é de 18 AWG para comprimentos de até 2 m (6,5 pés) e 16 AWG para comprimentos de até 3 m (9,8 pés).
3. Para reduzir o risco de incêndio, choque elétrico ou ferimentos, não utilize o carregador se estiver quebrado ou danificado de alguma forma. Leve o carregador para um representante qualificado da assistência técnica Motorola Solutions.
4. Não desmonte o carregador. A desmontagem do carregador pode resultar em risco de choque elétrico ou incêndio.
5. Para reduzir o risco de choque elétrico, desconecte o cabo de alimentação do carregador da tomada CA antes de fazer qualquer tipo de limpeza ou manutenção.
6. Para reduzir o risco de lesões, carregue somente as baterias recarregáveis autorizadas pela Motorola Solutions. Outras baterias podem explodir, causando ferimentos e danos.
7. O uso de acessórios não autorizados pela Motorola Solutions pode causar incêndio, choque elétrico ou ferimentos.
8. Alterações ou modificações feitas neste dispositivo que não sejam expressamente aprovadas pela Motorola Solutions poderão anular o direito do usuário de operar o equipamento.

Diretrizes de segurança operacional

- Este equipamento não é adequado para uso ao ar livre. Use somente em locais e condições secos.
- A temperatura máxima do ambiente em volta do carregador não pode exceder 40 °C (104 °F).
- Para garantir um desempenho ideal do carregamento, desligue o rádio durante o carregamento, a menos que o dispositivo esteja transmitindo dados sem fio via Wi-Fi ou Bluetooth.
- Somente conecte o carregador a fontes de alimentação e cabos de alimentação apropriados relacionados no [Bateria, cabo de carregamento e adaptadores de alimentação autorizados na página 10](#).
- A tomada CA na qual a fonte de alimentação está conectada deve estar próxima e ser de fácil acesso.
- Verifique se o cabo da fonte de alimentação conectado não corre o risco de ser pisado, chutado, molhado, danificado ou esticado.
- Conecte a fonte de alimentação somente a uma tomada CA com fusíveis e fios adequados e com a tensão correta, conforme especificado no produto.

- Desconecte a fonte de alimentação da tensão de linha, removendo a fonte de alimentação da tomada CA.
- Não conecte mais do que a quantidade apropriada de fontes de alimentação do carregador a um circuito de 15 A ou 20 A, conforme limitado por qualquer filtro de linha certificado sendo utilizado.



OBSERVAÇÃO:

Não recomendamos o uso de filtros de linha de encadeamento em série. A carga do circuito deve estar limitada a menos de 80% da classificação do circuito.

Garantia

O kit do carregador é coberto pela garantia limitada de um ano da Motorola Solutions. Consulte seu revendedor ou um ponto de venda da Motorola Solutions para obter informações detalhadas.

Fale conosco

O CMSO (Centralized Managed Support Operations, centro de operações de suporte técnico gerenciado) é o principal contato para suporte técnico incluído no contrato de serviço da sua organização com a Motorola Solutions. Para permitir um tempo de resposta mais rápido aos problemas dos clientes, a Motorola Solutions oferece suporte em vários países ao redor do mundo.

Clientes do contrato de serviço devem entrar em contato com o CMSO em todas as situações listadas na seção Responsabilidades do cliente do contrato, tais como:

- Confirmar os resultados e as análises da solução de problemas antes de agir

Sua organização recebeu números de telefone de suporte e outras informações de contato apropriadas para sua região geográfica e seu contrato de serviço. Use essas informações de contato para obter uma resposta mais eficiente. No entanto, se necessário, também é possível encontrar informações gerais de contato de suporte no site da Motorola Solutions seguindo estas etapas:

1. Digite motorolasolutions.com no navegador.
2. Verifique se o país ou a região da organização é exibida na página. Clique ou toque no nome da região para alterá-lo, caso necessário.
3. Na página motorolasolutions.com, selecione “Suporte”.

Comentários

Envie as perguntas e os comentários sobre a documentação do usuário para documentation@motorolasolutions.com.

Dê as seguintes informações ao relatar um erro na documentação:

- Título do documento e número da peça
- Número da página ou título da seção com o erro
- Descrição do erro

A Motorola Solutions oferece diversos cursos projetados para auxiliar na aprendizagem do sistema. Para informações, acesse <https://learning.motorolasolutions.com> e veja as ofertas de cursos atuais e os caminhos de tecnologia.

Convenções de ícones

O conjunto de documentação foi criado para oferecer mais dicas visuais ao leitor. Os ícones gráficos a seguir são usados em todo o conjunto de documentação.



PERIGO:

A palavra de sinalização PERIGO com o respectivo ícone de segurança indica informações que, se desconsideradas, podem resultar em morte ou ferimentos graves.



AVISO:

A palavra de sinalização AVISO com o respectivo ícone de segurança indica informações que, se desconsideradas, podem resultar em morte, ferimentos graves ou, ainda, danos graves ao produto.



ATENÇÃO:

A palavra de sinalização CUIDADO com o respectivo ícone de segurança indica informações que, se desconsideradas, podem causar ferimentos de gravidade menor ou moderada ou, ainda, danos graves ao produto.

ATENÇÃO:

A palavra de sinalização CUIDADO poderá ser usada sem o ícone de segurança para indicar possíveis danos ou riscos de ferimento não relacionados ao produto.



IMPORTANTE:

Declarações IMPORTANTES contêm informações essenciais para o assunto em questão, mas que não são classificadas com um termo ATENÇÃO ou AVISO. Não há nenhum nível de aviso associado a uma declaração classificada como IMPORTANTE.




OBSERVAÇÃO:

OBSERVAÇÃO contém informações mais importantes do que o texto ao redor, como exceções ou precondições. Esse ícone também indica outros locais para o leitor consultar informações adicionais, lembra ao leitor sobre como concluir uma ação (quando a ação não faz parte do procedimento atual, por exemplo) ou informa o leitor sobre a localização de algum item na tela. Não há nenhum nível de aviso associado a uma observação.

Convenções de estilo

As seguintes convenções de estilo são utilizadas:

Convenção	Descrição
Negrito	Esta família tipográfica é usada, por exemplo, em nomes de janelas, botões e etiquetas quando esses nomes aparecem na tela (exemplo: a janela Navegador de alarmes). Quando é óbvio que estamos nos referindo a, por exemplo, um botão, o nome é utilizado sozinho (exemplo: Clique em OK).
Monospacing font in bold	Esta família tipográfica é usada para que as palavras sejam digitadas exatamente como serão exibidas no texto (por exemplo: no campo Endereço , digite <code>http://ucs01.ucs:9080/</code>).
Fonte monoespçada	Esta família tipográfica é usada para mensagens, comandos e outros textos exibidos na tela do computador (por exemplo: Um novo destino de interceptação foi adicionado).
<i><Fonte monoespçada em negrito e itálico></i>	Esta família tipográfica é usada com parênteses angulares que devem ser substituídos por um membro específico do grupo que as palavras representam (exemplo: <i><número do roteador></i>).  OBSERVAÇÃO: em sequências que devem ser digitadas, os parênteses angulares são omitidos para evitar confusões quanto a se eles devem ser incluídos ou não no texto que será digitado.
LETRAS MAIÚSCULAS	Esta família tipográfica é usada para teclas de teclado (por exemplo: Aperte Y e, em seguida, aperte ENTER).
<i>Itálico</i>	Esta família tipográfica é usada em citações. A citação, geralmente, é o nome de um documento ou uma frase de outro documento (exemplo: <i>Visão geral do sistema DIMETRA IP</i>).
→	Uma → (seta apontando para a direita) é usada para indicar o menu ou a estrutura de guia nas instruções sobre como selecionar determinado item do menu (exemplo: Arquivo → Salvar) ou determinada subguia.

Índice

Informações jurídicas e de segurança.....	2
Fale conosco.....	5
Convenções de ícones.....	6
Convenções de estilo.....	7
Capítulo 1: Visão geral do carregador.....	9
1.1 Acessórios autorizados.....	10
1.1.1 Bateria, cabo de carregamento e adaptadores de alimentação autorizados.....	10
Capítulo 2: Instruções operacionais.....	11
2.1 Procedimento de carregamento.....	11
2.2 Indicador de LED do carregador.....	11
2.3 Diagramas de carregamento.....	12

Capítulo 1

Visão geral do carregador

Figura 1: Carregador para uma unidade Mag One PMLN8599

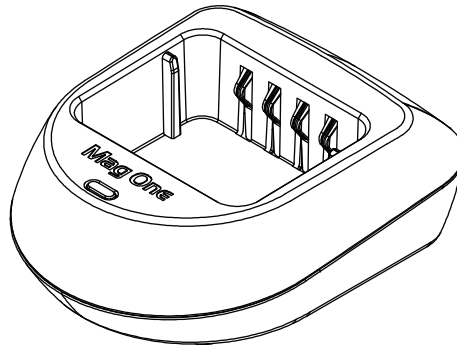


Figura 2: Vista frontal e traseira

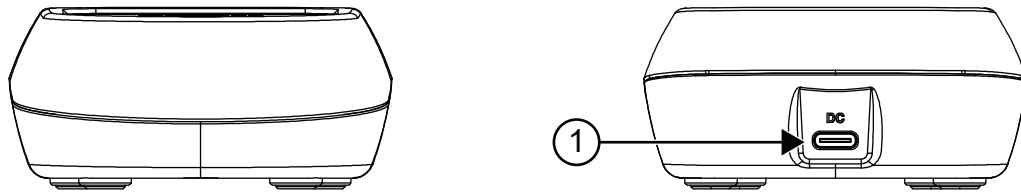
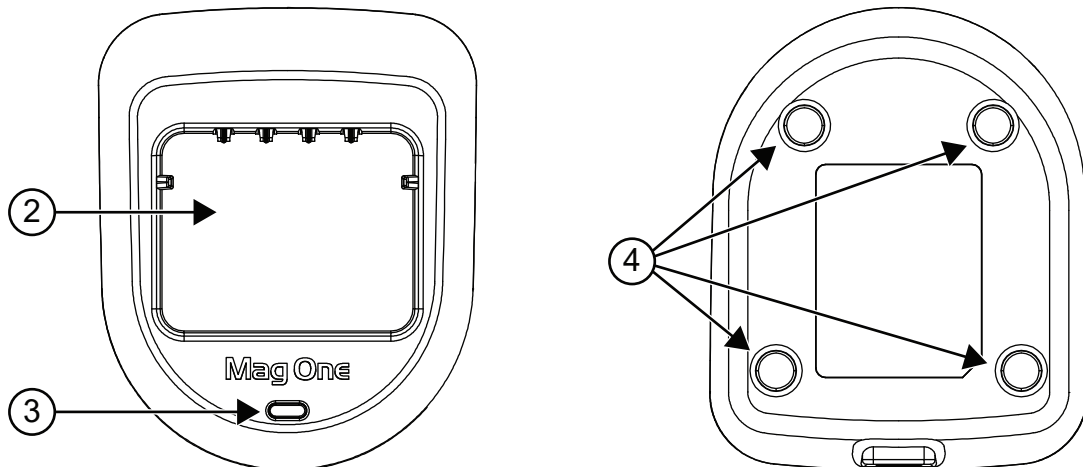


Figura 3: Vista superior e inferior



Acima 1: Visão geral do carregador

Item	Descrição
1	Soquete de entrada USB-C
2	Compartimento de carregamento
3	Indicador de LED
4	Pads antidesslizantes

1.1

Acessórios autorizados

Esta seção lista os acessórios autorizados para uso com seu carregador.

1.1.1

Bateria, cabo de carregamento e adaptadores de alimentação autorizados**Acima 2: Bateria autorizada**

Número da peça	Descrição
PMNN4847_	Bateria de íons de lítio, 2200 mAh

Acima 3: Cabo de carregamento e adaptadores de alimentação autorizados

Número da peça	Descrição
PS000150A31	Adaptador USB-A removível dos Estados Unidos/Japão
PS000150A32	Adaptador USB-A removível da Europa
PS000150A35	Adaptador USB-A removível da Argentina
PS000150A36	Adaptador USB-A removível da China
PS000150A38	Adaptador USB-A removível do Brasil
PMKN4274_	Cabo USB-A para USB-C (somente carregamento)

Capítulo 2

Instruções operacionais

2.1

Procedimento de carregamento

Você pode carregar uma bateria independente ou uma bateria instalada em um rádio. Carregue as baterias em temperatura ambiente para obter o melhor desempenho de carregamento.

Procedimento:

1. Posicione o carregador em uma superfície plana.
2. Conecte a extremidade do plugue USB-A do cabo de carregamento ao adaptador de alimentação.
3. Insira firmemente a extremidade do plugue USB-C do cabo de carregamento no soquete de entrada USB-C na parte traseira do carregador.
4. Conecte o adaptador de alimentação a uma tomada de energia correspondente.
O indicador LED acende em vermelho por um segundo quando a inicialização é bem-sucedida. Se o indicador LED não acender, verifique a conexão do cabo da fonte de alimentação.
5. Insira um rádio ou uma bateria autônoma no compartimento de carregamento.
6. Quando o rádio ou a bateria autônoma estiverem corretamente colocados no compartimento de carregamento., o LED acenderá em vermelho constante, indicando que o carregamento está em andamento.

Resultado:

O indicador LED acende em verde constante ao concluir o carregamento.



OBSERVAÇÃO:


- O carregamento da bateria é interrompido imediatamente após a conclusão do carregamento. Se uma bateria totalmente carregada for colocada no carregador, o carregador carregará a bateria por 10 segundos e interromperá o carregamento.
- O tempo necessário para carregar totalmente uma bateria autônoma e uma bateria conectada ao rádio é o mesmo, desde que o rádio esteja desligado durante o carregamento.





2.2

Indicador de LED do carregador

A tabela a seguir descreve as indicações de LED quando o carregador está em uso.

Acima 4: Indicação de carregamento

Indicador de LED	Status do carregador
	A alimentação está conectada.
O LED acende em vermelho por um segundo e apaga	

Indicador de LED	Status do carregador
 LED desligado	Nenhuma bateria inserida.
 O LED acende em vermelho constante	O carregamento da bateria está em andamento.
 O LED acende em verde constante	A bateria está completamente carregada.
 O LED pisca em vermelho	Falha.

2.3

Diagramas de carregamento

Figura 4: Conectar o carregador para uma unidade

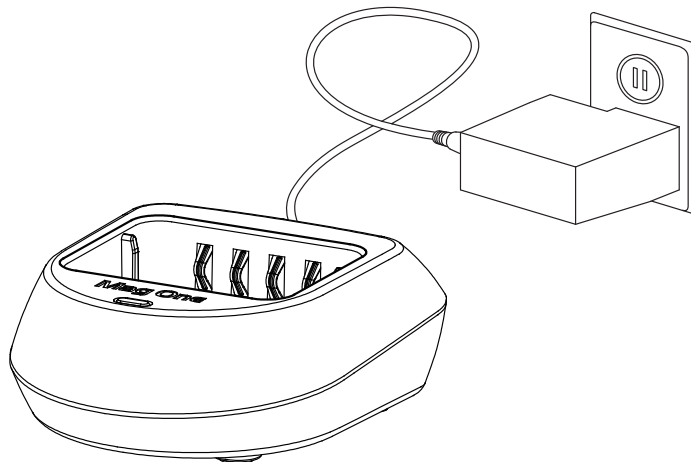


Figura 5: Carregar uma bateria autônoma

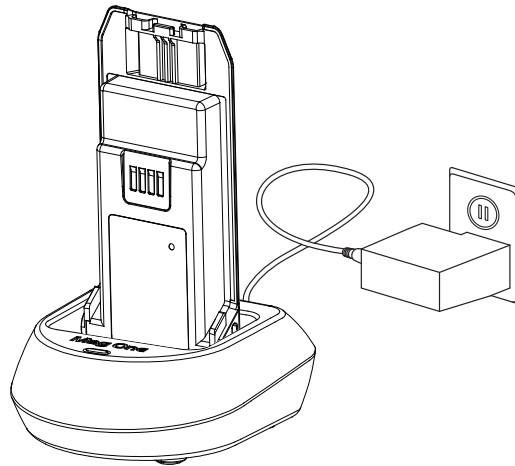


Figura 6: Carregar uma bateria conectada ao rádio

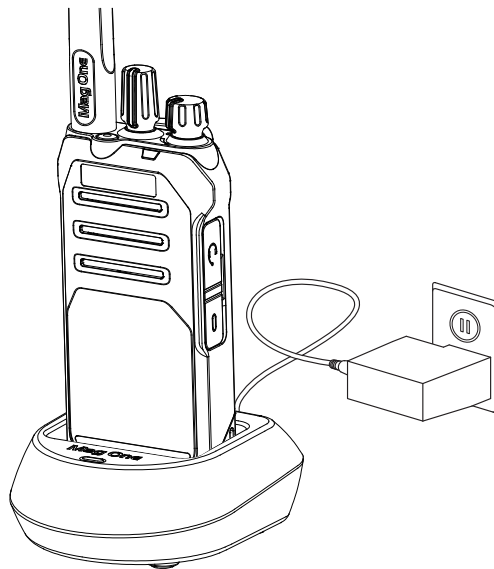
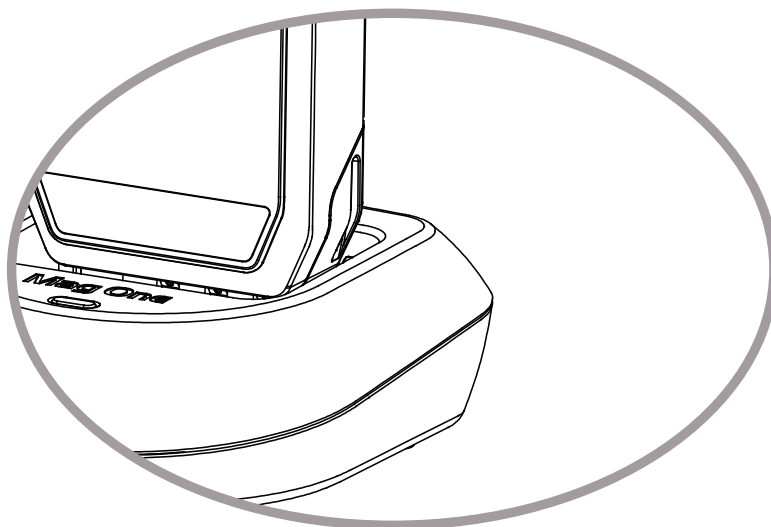


Figura 7: Alinhamento do slot da bateria com o Guia do carregador



Mag One 单座充电器 PMLN8599 用户指南

2024 年 6 月

© 2024 Motorola Solutions, Inc. All Rights Reserved.



MN010372A01-AB

安全和法律

本节提供本产品的安全和法律信息。

知识产权和监管声明

版权

本文档中介绍的 Motorola Solutions 产品可能包含受版权保护的 Motorola Solutions 计算机程序。美国和其他国家/地区的法律为 Motorola Solutions 保留受版权保护的计算机程序的某些专有权利。因此，在未经 Motorola Solutions 明确书面许可的情况下，不得以任何方式对本文档中介绍的 Motorola Solutions 产品所包含的任何受版权保护的 Motorola Solutions 计算机程序进行拷贝或复制。

在未经 Motorola Solutions, Inc. 事先书面许可的情况下，不得以任何形式或通过任何方式来复制、传播、在检索系统中存储本文档的任何部分，或将其翻译为任何语言或计算机语言。

商标

MOTOROLA, MOTO, MOTOROLA SOLUTIONS, and the Stylized M Logo are trademarks or registered trademarks of Motorola Trademark Holdings, LLC and are used under license. All other trademarks are the property of their respective owners.

许可权利

购买 Motorola Solutions 的产品不应视为直接或通过暗示、禁止反言或其他方式授予 Motorola Solutions 的版权、专利或专利申请的任何许可，但产品销售过程中因法律实施所引起的普通非专有免版税许可除外。

开源内容

本产品可能包含经许可使用的开源软件。请参阅产品安装介质，了解完整的“开源法律声明和归属”内容。

欧盟 (EU) 和英国 (UK) 废弃电子电气设备 (WEEE) 指令



欧盟的 WEEE 指令和英国的 WEEE 法规要求销售到欧盟国家/地区和英国的产品必须在产品上（有时是在包装上）张贴带交叉号的垃圾箱标签。根据 WEEE 指令的定义，此带叉号的带轮垃圾箱标签表示欧盟国家/地区和英国的客户和最终用户不得将此电子电气设备或附件作为生活垃圾处置。

欧盟国家/地区和英国的客户或最终用户应联系当地的设备供应商代表或服务中心，以了解有关所在国家/地区废物收集系统的相关信息。

免责声明

请注意，本文档中介绍的某些特性、设备和功能可能不适用于或未授权给特定系统使用，或者取决于特定移动用户机的特性或特定参数的配置。请联系 Motorola Solutions 联系人获取详细信息。

© 2024 Motorola Solutions, Inc. All Rights Reserved

重要安全说明

本文档包含重要的安全和操作说明。请仔细阅读这些说明，并妥善保管以供日后参考。



注意:

1. 为了降低损坏电源线的风险，从交流插座或充电器中拔下电源线时，请捏住插头拔出，而不是拉电源线。
2. 除非绝对必要，否则请勿使用电源延长线。使用不合适的延长线可能会引发火灾和导致触电。如果必须使用延长线，请确保延长线的规格为 18 AWG（最长不得超过 6.5 英尺（2.0 米）的距离）或 16 AWG（最长不得超过 9.8 英尺（3.0 米）的距离）。
3. 为了减少火灾、触电或人员受伤的风险，请勿使用有任何破损或损坏的充电器。应将其交给符合资格的 Motorola Solutions 专业服务代表处理。
4. 请勿拆开充电器。擅自拆开该充电器可能导致触电或引发火灾。
5. 为了减少触电的危险，在对充电器进行维护或清洁之前，请将充电器电源线从交流插座上拔下。
6. 为了降低受伤的风险，请仅为 Motorola Solutions 认可的可充电电池充电。其他类型的电池可能会发生爆炸，导致人员受伤和财产损失。
7. 使用非 Motorola Solutions 推荐的附件可能会引发火灾、导致触电或人员受伤。
8. 未经 Motorola Solutions 明确批准而擅自对本设备作出任何更改或修改，可能导致用户无权操作本设备。

安全操作指南

- 本设备不适合在室外使用。请仅在干燥的场所和环境中使用。
- 充电器周围的最高环境温度不得超过 40°C (104°F)。
- 为确保优化充电性能，充电时请关闭对讲机，除非设备正在通过 Wi-Fi 或蓝牙进行无线数据传输。
- 只能将充电器连接到[认可的电池、充电线缆和电源适配器页号 9](#) 中列出的适用电源和电源线。
- 电源连接的交流插座务必要位于附近，并且插拔方便。
- 确保充电器连接的电源线不会轻易发生踩踏、绊倒、浸水、损坏或挤压等意外。
- 电源只能与配有保险丝且电压匹配（产品上指定的电压）的有线交流电源插座连接。
- 通过从交流插座中拔下电源插头来断开线路电压。
- 受所使用的经认证电源板的限制，请将不超过适当数量的充电器电源连接至 15 A 或 20 A 电路。



注释: 不推荐使用菊花链电源板。电路负载必须限制为小于电路额定值的 80%。

保修

充电器套件享有 Motorola Solutions 标准有限保修。有关详细信息，请咨询您的 Motorola Solutions 经销商或购买点。

联系我们

集中化管理支持运营部门 (CMSO) 是贵组织与 Motorola Solutions 签订的服务协议中包含的提供技术支持的主要联系方。为了更快地响应客户问题，Motorola Solutions 在全球多个国家/地区中提供支持。

服务协议客户应确保在协议的“客户的责任”部分中列出的所有情况下致电 CMSO，例如：

- 在采取措施之前确认故障排除结果和分析

贵组织已收到适用于您所在地理区域和服务协议的支持电话号码和其他联系信息。使用该等联系信息可获得最高效的响应。但是在需要时，您也可以通过执行以下步骤在 Motorola Solutions 网站上查找一般支持联系信息：

1. 在浏览器中输入 motorolasolutions.com。
2. 确保页面上显示有贵组织所在的国家/地区。单击或轻触地区的名称即可对其进行更改。
3. 选择 motorolasolutions.com 页面上的“Support”。

备注

请将有关用户文档的问题和意见发送到 documentation@motorolasolutions.com。

报告文档错误时请提供以下信息：

- 文档标题和部件号
- 出错章节的页码或标题
- 错误描述

Motorola Solutions 提供各种旨在帮助学习系统相关内容的课程。要获取相关信息，请转至 <https://learning.motorolasolutions.com>，查看当前课程产品和技术路径。

图标约定

本文档集旨在为读者提供更多的直观提示。整个文档集统一使用了以下图标。



危险: 提示词“危险”及关联的安全图标表示，如果不注意其中的信息，则可能导致死亡或严重的人员受伤。



警告: 提示词“警告”及关联的安全图标表示，如果不注意其中的信息，则可能导致死亡或严重的人员受伤，也可能造成严重的产品损坏。



注意: 提示词“小心”及关联的安全图标表示，如果不注意其中的信息，则可能导致轻微或中等程度的人员受伤，也可能造成严重的产品损坏。

注意: 提示词“小心”也可能单独出现，而没有关联的安全图标，这表示可能发生与本产品无关的产品损坏或人员受伤。




重要说明: “重要”说明所包含的信息对于当前主题非常重要，但它不是“小心”或“警告”级的信息。“重要”说明没有相应的警告级别。



注释: “注意”含有比周围文字更重要的信息，如例外情况或注意事项。有时还会为读者提供一些其他位置的补充参考信息，提醒读者如何完成操作（例如，当操作不属于当前过程的一部分时），或者告诉读者某些项目在屏幕中的位置。“注意”没有相应的警告级别。

样式约定

使用下列样式约定：

约定	说明
粗体	此类字体用于表示在屏幕上显示的窗口、按钮和标签等的名称（例如： 警报浏览器窗口 ）。当所指的名称非常明确时，例如某一按钮的名称，则可单独使用该名称（例如： 单击确定 ）。
Monospacing font in bold	此类字体用于表示要按文本中所示样式一模一样输入的字词（例如：在地址字段中，键入 <code>http://ucs01.ucs:9080/</code> ）。
等宽字体	此类字体用于表示在计算机屏幕上显示的消息、提示及其他文本（例如：添加了新的陷阱目标）。
<以粗斜体显示的等宽字体>	此类字体与尖括号搭配使用，用作字词所表示的特定组成员的占位符（例如： <路由器编号> ）。  注释: 在要键入的序列中去掉尖括号，以避免用户疑惑是否要在键入的文本中包括尖括号。
大写字母	此类字体用于表示键盘上的按键（例如：按 Y 键，然后按 ENTER 键）。
斜体	此类字体用于表示引用。引用内容通常是文档的名称或另一个文档中的短语（例如： <i>Dimetra IP 系统概述</i> ）。
→	在如何选择特定菜单项的说明中，使用 →（向右箭头）来指示菜单或选项卡结构（例如： 文件 → 保存 ）或某个子选项卡。

目录

安全和法律	2
联系我们	4
图标约定	5
样式约定	6
章节 1：充电器概述	8
1.1 认可的附件.....	9
1.1.1 认可的电池、充电线缆和电源适配器.....	9
章节 2：操作说明	10
2.1 充电过程.....	10
2.2 充电器 LED 指示灯指示.....	10
2.3 充电示意图.....	11

章节 1

充电器概述

图 1 : Mag One 单座充电器 PMLN8599

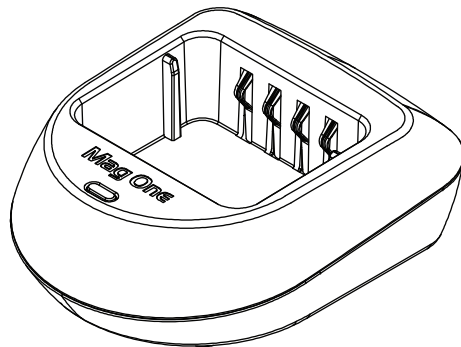


图 2 : 前视图和后视图

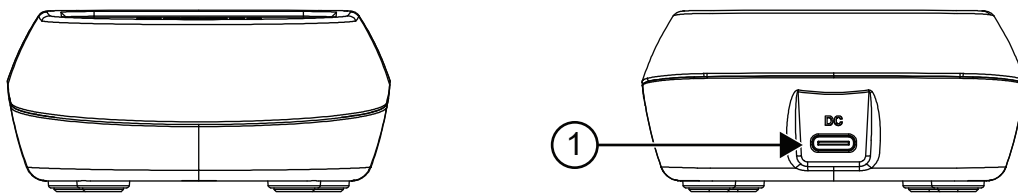


图 3 : 俯视图和仰视图

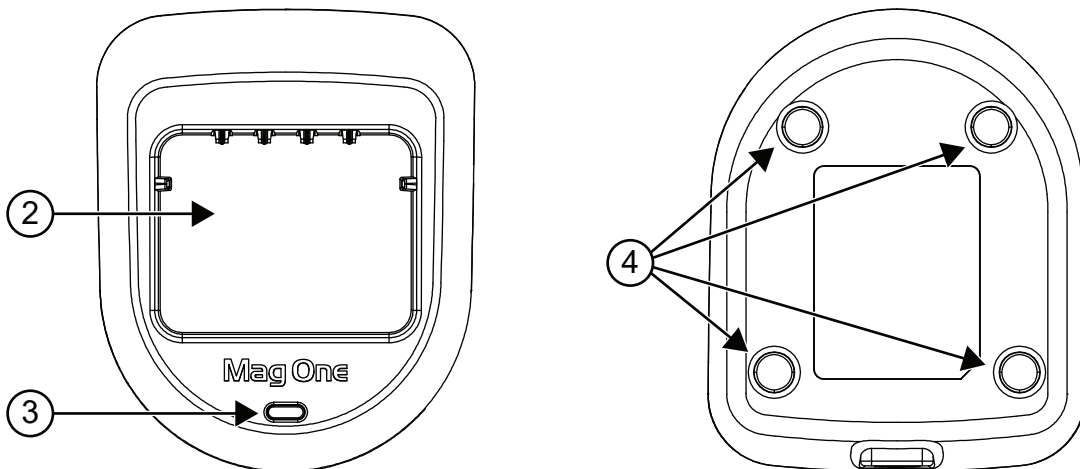


表 1：充电器概述

项目	说明
1	USB-C 入口插座
2	充电座
3	LED 指示灯
4	防滑垫

1.1

认可的附件

本节列出可与充电器一起使用的认可附件。

1.1.1

认可的电池、充电线缆和电源适配器

表 2：认可的电池

部件号	说明
PMNN4847_	锂离子电池 2200 mAh

表 3：认可的充电线缆和电源适配器

部件号	说明
PS000150A31	美国/日本适配器 USB-A 可拆卸
PS000150A32	欧洲适配器 USB-A 可拆卸
PS000150A35	阿根廷适配器 USB-A 可拆卸
PS000150A36	中国适配器 USB-A 可拆卸
PS000150A38	巴西适配器 USB-A 可拆卸
PMKN4274_	USB-A 转 USB-C 电缆 (仅充电)

章节 2

操作说明

2.1

充电过程

您可以为独立电池充电，也可以为安装在对讲机中的电池充电。在室温下为电池充电，以获得最佳充电性能。

步骤：

1. 将充电器放置在平坦的表面上。
2. 将充电线缆的 USB-A 插头端连接到电源适配器。
3. 将充电线缆的 USB-C 插头端牢固地插入充电器背面的 USB-C 入口插座中。
4. 将电源适配器插入匹配电源插座中。
在成功开机后，LED 指示灯呈红色亮起一秒钟。如果 LED 指示灯不亮，请检查电源线连接。
5. 将对讲机或独立电池插入充电座中。
6. 对讲机或独立电池正确放入充电座后，LED 指示灯会呈红色长亮，表示正在充电。

结果：充电完成时，LED 指示灯呈绿色长亮。



注释：




- 充电完成时，电池充电立即停止。如果将充满电的电池放入充电器中，充电器将为电池充电 10 秒，然后停止充电。
- 如果在充电期间关闭对讲机，则为独立电池充满电所需时间与为安装在对讲机中的电池充满电所需时间相同。

2.2

充电器 LED 指示灯指示

下表介绍充电器在使用时的 LED 指示灯指示的状态。

表 4：充电指示

LED 指示	充电器状态
 LED 指示灯呈红色亮起一秒钟，然后熄灭	电源已连接。
 LED 指示灯熄灭	未插入电池。
 LED 指示灯呈红色长亮	电池正在充电。

LED 指示

充电器状态



LED 指示灯呈绿色长亮

电池已充满电。



LED 指示灯呈红色闪烁

故障。

2.3

充电示意图

图 4：插入单座充电器

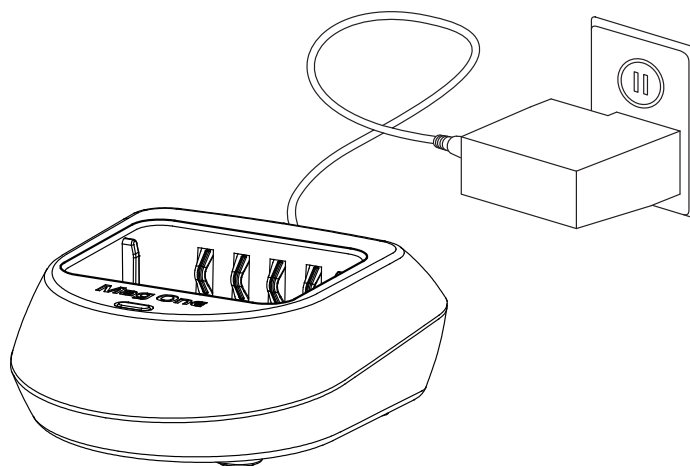


图 5 : 为独立电池充电

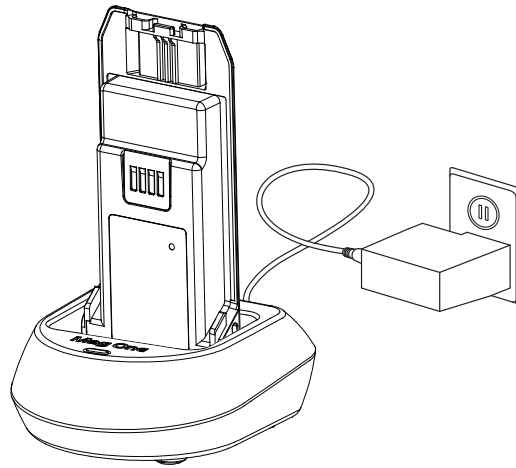


图 6 : 为安装在对讲机中的电池充电

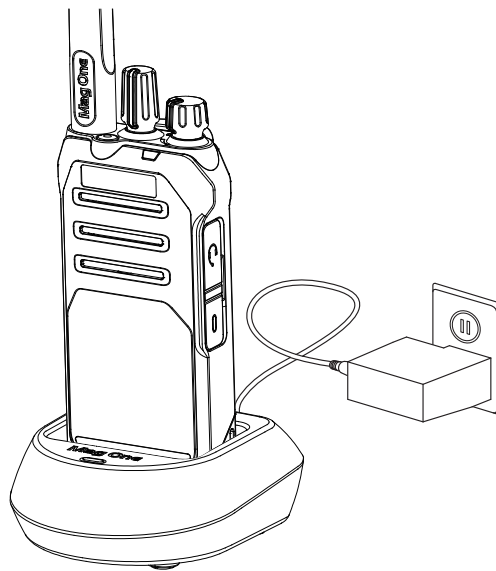


图 7：将电池插槽与充电器导轨对齐

